

1 Robot Clean 1 Operating Instructions and Parts List



Dear Customer,

Thank you for choosing our product to clean your pool. We hope that you will enjoy using your new robot to maintain your swimming pool for years to come. Before you begin to use your robot, please take a few minutes to carefully read Operating Instructions. Again, thank you for choosing our product.

 **DO NOT ENTER THE POOL WHILE CLEANER IS IN USE**

Parts List

Ref. No.	Description	Ref. No.	Description
1	Floating Power Cord	15	Anti-bumping Wheel Assembly
2	Power Cord Fixing Joint	16	Replacement Brush
3	Universal Drain Assembly	17	Main Body Base
4	Top Cover	18	Filtration Bag
5	Water-proof Joint	19	Control Box
6	Grabbing Clip	20	Power Cord Socket
7	Motor Mounting Assembly	21	ON/OFF Switch
8	Motor Filtration Cover	22	Power Cord with Plug
9	Filtration Bag Supporting Assembly	23	PCB Board
10	Wheel Axle Assembly	24	Power Inverter
11	Wheel with Coating	25	Aluminum Plate
12	Motor	26	Screw ST4.2*8-F-H
13	Impeller	27	Driver Board
14	Screw ST3.9*11.6-C-H		



IMPORTANT SAFETY INSTRUCTIONS

- Before installing this product, read all safety instructions carefully and keep for later reference.
- Observe all warnings and instructions marked on power supply and cleaner. Failure to follow safety warnings and instructions can result in severe injury or property damage.
- The unit must be supplied through a residual current device (RCD) having a rated residual operating current not exceeding 30 mA. The connection to the branch circuit should be consistent with the local and national wiring rules and shall be made by a qualified electrician.
- The power supply box of the cleaner must be located at minimum 3.5 meters away from the pool.
- The power supply box of the unit must be securely fixed on the ground or at the wall. Never operate the unit without fixing the power supply box first.
- Keep power supply away from heavy rain or placed in puddles of water
- Do not plug the power supply into a grounded outlet or do not switch the pool cleaner "ON" if it is not fully immersed in water. Operating the cleaner out of water will cause severe damage and will result in loss of warranty.
- This unit is suitable for cleaning water at temperatures between minimal 5°C and maximal 45°C. However, the recommended optimum pool water temperature is between 22°C and 32°C.
- Allow the cleaner to remain in the pool for 15 to 20 minutes following the end of its cleaning cycle. This will allow the motors to cool adequately. Do not leave the cleaner in the pool all the time.
- Always turn the power supply "OFF" and unplug it from the power outlet before removing the cleaner from the pool.
- The cleaner must not be used when people are in the water.
- The unit is designed for use with swimming pools only.
- Mishandling of the unit can result in leakage of lubricants.
- The sealed motor unit and the power supply (transformer) contain no user-serviceable parts. Opening them will automatically VOID your warranty.
- If the supply cord is damaged, it must be replaced by the manufacturer's service agent or a qualified and trained person in order to avoid a hazard.
- The unit is only to be used with the power supply unit provided with the cleaner.
- This unit can be used by children aged from 8 years and above and persons with reduced physical, sensory or mental capabilities or lack of experience and knowledge if they have been given supervision or instruction concerning use of the appliance in a safe way and understand the hazards involved. Children shall not play with the appliance. Cleaning and user maintenance shall not be made by children without supervision.
- Keep small parts and packaging materials away from children. Hazard due to risk of suffocation!

1 Robot Clean 1 Operating Instructions and Parts List



GENERAL OPERATING INSTRUCTIONS

⚠ DO NOT ENTER THE SWIMMING POOL WHEN THE CLEANER IS OPERATING

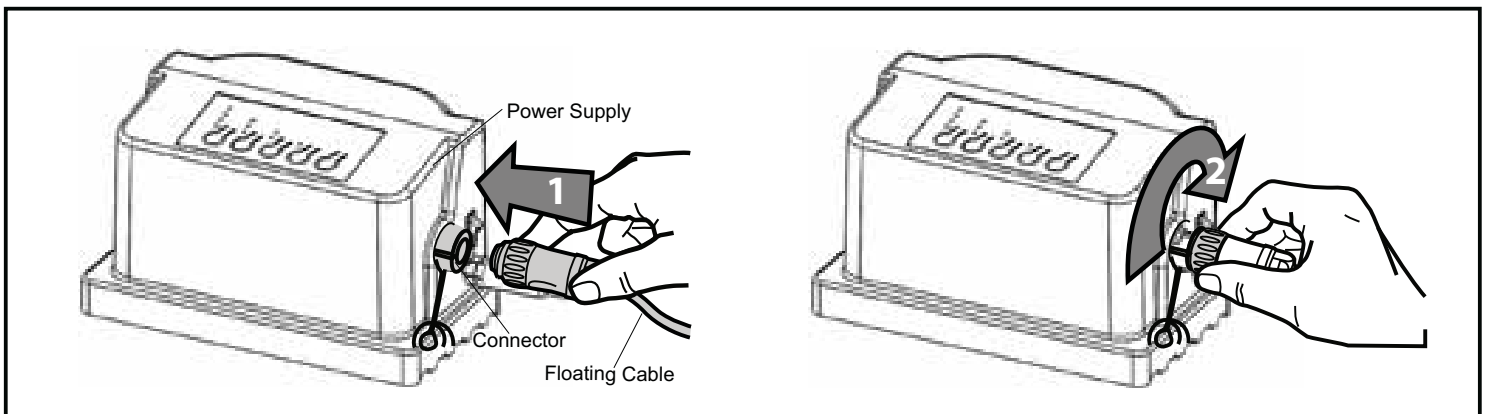
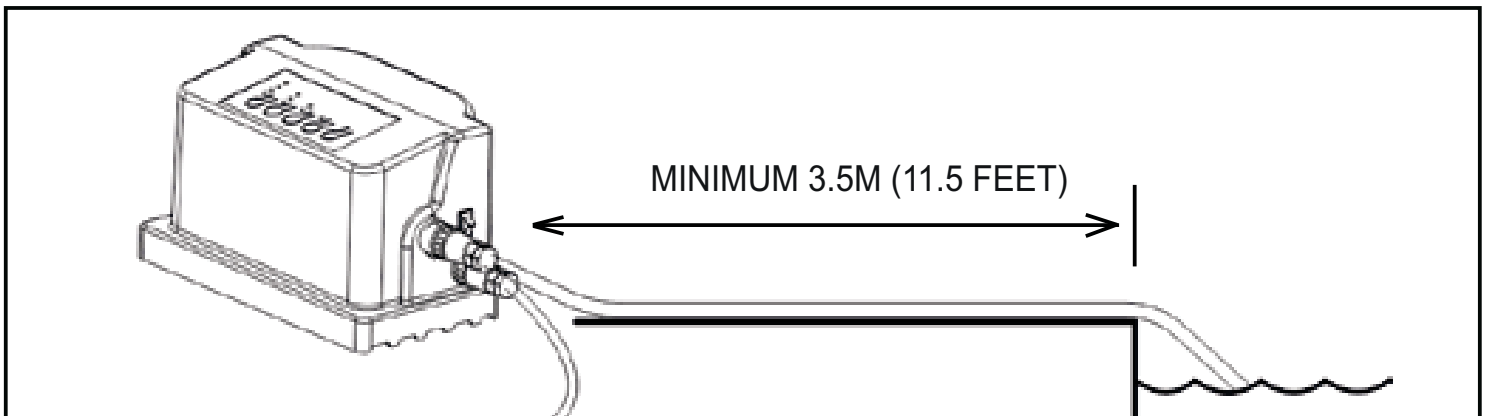
⚠ DO NOT SWITCH ON THE CLEANER IF IT IS NOT IMMersed IN THE WATER

ATTENTION: Before using your cleaner and especially when opening the pool for the first time, remove larger items from the pool that may diminish the cleaner's performance.

ATTENTION: Remove the cleaner from the pool after each use. Keeping the cleaner permanently in the pool may result in additional service requirements.

Your new automatic pool cleaner contains:

- Robotic pool cleaner and floating cable.
- Power supply (transformer).

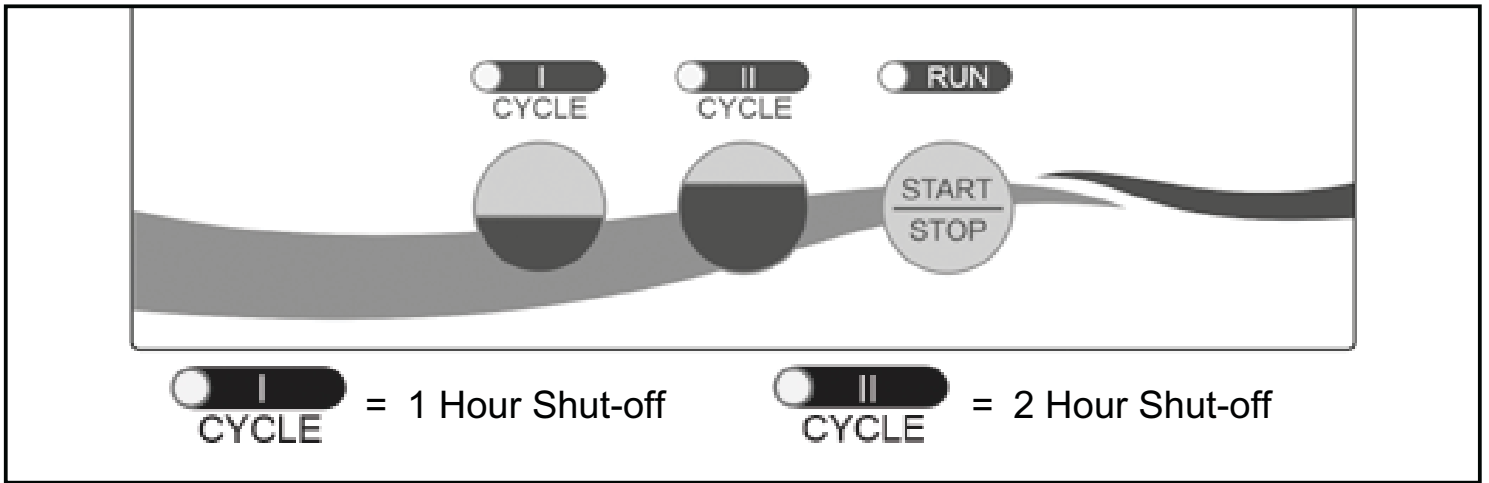


1. Place the power supply box at least 3.5 meters away from the pool and at least 12 cm above the surface. The transformer will supply low voltage to the cleaner.
2. Uncoil the floating cable and fix the position of the floating ball at a position according to the pool depth. Use the two white clips attached to the floating cable to fix the position of the floating ball.
3. Place the cleaner unit in the water. Turn the unit side to side in the water to allow air to escape from the body and then let the cleaner sink to the bottom of the pool. Then, spread the cable over the surface of the pool as evenly as possible.
4. Plug the floating cable into the socket on the power supply. Once the plug is in, rotate the plug fitting to the right to lock it into place. To remove the plug, first rotate the plug fitting to the left to unlock it, and then pull it out.
5. Connect the power supply to the RCD protected outlet and switch it on. The CLEANER will run according to the procedures set to do the cleaning cycle.

CAUTION - DO NOT switch on cleaner when it out of water. This may result in damage to the pump and drive motor seals, which will VOID the warranty.

6. Choose the cleaning cycle and start:
 - a. To turn the power supply ON, press and release the power button once.
 - b. To turn the power supply OFF, press and release the power button. Light will turn OFF.
 - c. The power supply has 2 settings. Each setting is determined by the pool size and cleanliness as well as for how long you would like to run the cleaning cycle.
 - d. You have an option for CYCLE I and CYCLE II. Press the button to get your correct setting, i.e. CYCLE I for a small pool (1 hour cleaning cycle) or CYCLE II for a large pool (2 hour cleaning cycle)
 - e. After setting, press the START button to start the cleaner.
 - f. If you would like to change the cycle mode during the cleaner is working, press STOP first, then select the cycle mode you need, and after 5 seconds press START again. Should a second cleaning cycle be required, switch OFF the power supply for 5 seconds and restart.

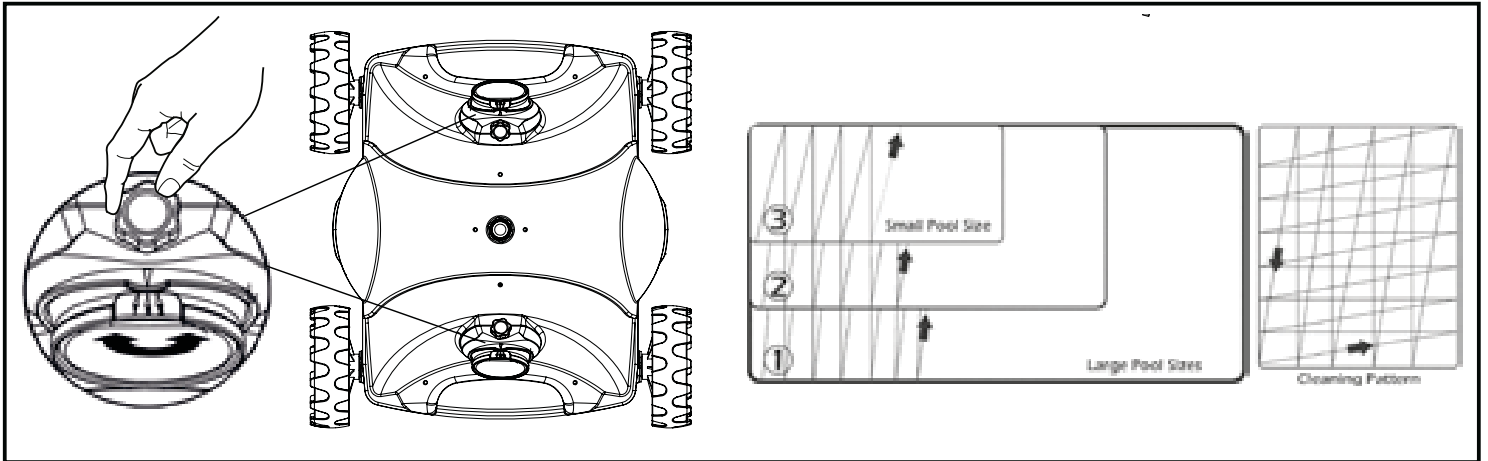
1 Robot Clean 1 Operating Instructions and Parts List



7. After the pool has been cleaned, switch OFF the power supply and leave the robot cleaner in the pool for 15-20 minutes after the end of the cleaning cycle. This will allow the engine to cool properly. Remove the cleaner from the pool.
8. Remove the cleaner from the water at the shallow end of the pool by pulling the cable until the cleaner reaches the water surface. Then lift it out of the water by using the handle, NOT the cable.



SETTING THE CLEANING PATTERN



Adjusting the cleaner for your pool

The cleaner has two outlets and the direction angle of each outlet is adjustable during running. If the angle is not satisfying, stop the cleaner, unscrewed the screw as shown in the figure, manually adjust to a proper position (angle dimension: $0 < 1 < 2$); after adjusting, tighten the screws.

Above the default programmed cleaning pattern of your cleaner. Please take into account that each different pool shape requires a different setting.

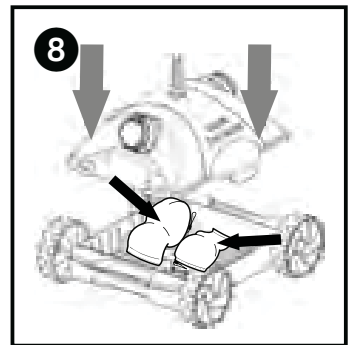
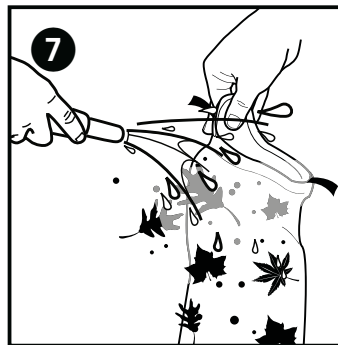
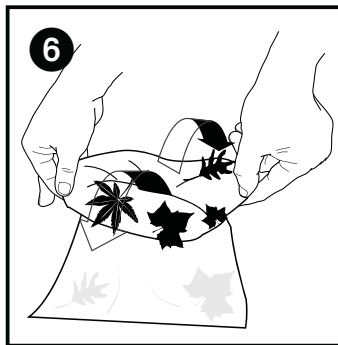
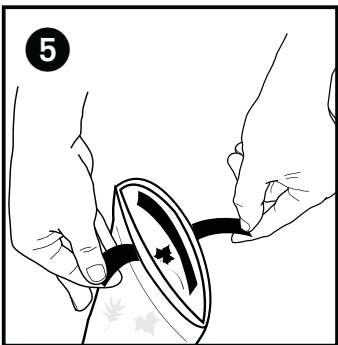
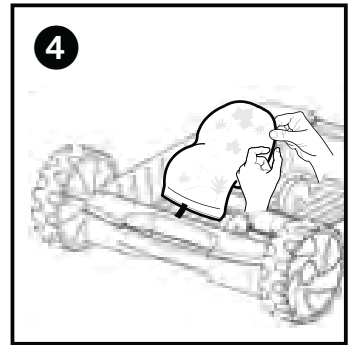
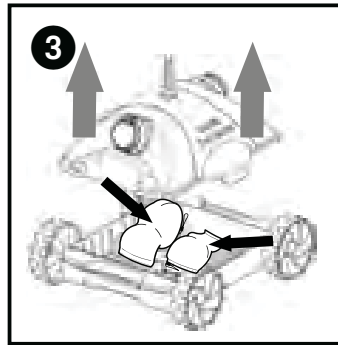
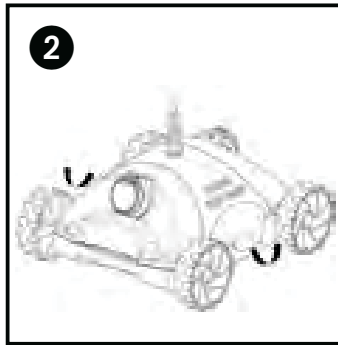
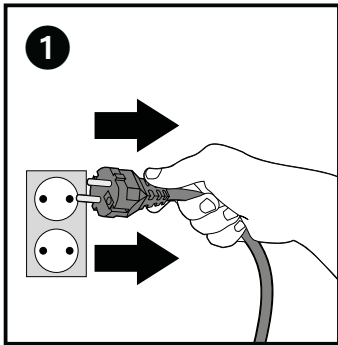
Note: the cleaner may stop in the middle of the pool and reverse during cleaning cycle. This is a normal part of the programmed cycle.

1 Robot Clean 1 Operating Instructions and Parts List



MAINTENANCE

Filter bag maintenance



CLEAN THE FILTER BAGS AFTER EACH CLEANING CYCLE

- Disconnect the mains adapter from the power supply (see fig. 1). Ensure that the plug does not get wet.
- Place the cleaner on a smooth, clean surface and remove the top cover by pressing the buttons on both sides (see figs. 2, 3)
- Remove the filter bags from the holding devices, turn the bags inside out wash all dirt off using a garden hose or into a container (see figs. 4,5,6,7). Carefully squeeze out the bags until the water runs clear. You can also wash the bags in the machine on cold wash **WITHOUT WASHING POWDER**.
- Reattach the bags to the holding devices and reattach the top cover the housing. Press the cover down until the lock tabs engage (see fig. 8)



Periodic Cleaning of Moving Parts

⚠️ ⚠️ Disconnect the power supply from electrical outlet before cleaning moving parts.

- Inspect the venture to ensure that no debris or hair has clogged the impeller.
- The impeller can be cleaned by spraying it with a garden hose.
- Remove any debris that has accumulated on the wheels

Storage

When out of the water, rinse the cleaner with clean water and store it in a dry, shady location at temperatures between 4°C and 46°C.

Cable Care

With continued use, the cable may become coiled. To correct this, periodically stretching the cord out in the sun should remove any cord twists.

IMPORTANT: The cable should be checked periodically for any external damage

1 Robot Clean 1 Operating Instructions and Parts List



TROUBLE SHOOTING

PLEASE CHECK THE FOLLOWING BEFORE CALLING YOUR SERVICE CENTER

Before troubleshooting, the pool cleaner must be disconnected from the power supply and the power supply must be unplugged from the electrical outlet to prevent damage to the unit and possible personal injury.

A. Unit does not pump water or move:

1. Check to see if electric outlet has power.
2. Check if transformer is plugged into a grounded outlet and the floating cable is plugged into the transformer.
3. Switch the power supply "OFF" and "ON" a few times. Allow 45 seconds between "ON" and "OFF".
4. Check for and remove any debris such as hair, string, or leaves that may be obstructing the free movement of the wheels.

B. Unit moves but does not pump water at all, or pumps slowly:

1. Check to see if propeller is seized due to accumulation of hair or debris on the propellers. Remove the top screws on each outlet top and clean the propeller. When reassembling the top cover, do not overtighten the screws.
2. Check to see if the filter bags are thoroughly clean. Clean as necessary.
3. Check the pump motors. If they are not functioning send the unit to your service center.

C. Unit does not move but does pump water:

1. Check to see if forward/reverse motion is obstructed by foreign matter or if there is an entanglement with the power cord. Clean as necessary.

D. Unit does not pick up dirt and debris:

1. Check B1 and B2 of this guide.
2. Check the drain flaps on the underside of your unit. The flaps should move freely to open and close. Clean and free the drain flaps if necessary.

E. Unit does not seem to cover the entire pool:

1. Most likely a thorough cleaning of the filter bag is needed.
2. Check to see that the floating cable is properly spread out and is untangled.
3. Allow the unit to run in the pool for the entire cleaning cycle.
4. Check that the motor is operating.
5. If there is still a problem, call your dealer for specific additional assistance.

F. Debris falls from cleaner while removing from pool

1. It may be caused by filter overload. Assure that there is no large debris blocking any of the two inlets. Large debris must be removed from the pool before using the cleaner.
2. Check if drain flaps are out of place or stuck by sand or leaves in the open position. Snap back the flaps into place, after cleaning the area.

G. Unit has poor coverage of the pool in one cycle or only covers a small area

1. Check the filter bags and clean them if necessary
2. Make sure that the unit is not getting caught on drains, floor cleaning heads or toys.
3. Try starting the cleaner in different pool areas to find the optimal cleaning pattern.



WARRANTY

This robotic pool cleaner has been manufactured, tested and inspected carefully in accordance with specified engineering and up to date regulation requirements.

Ubbink® warrants that your robotic pool cleaner is free from defects in workmanship and materials under normal use and service, subject to conditions and limitations as described below. This warranty extends to the end user (the consumer who purchased the machine) only.

DURATION OF WARRANTY: 2 years for the main parts, i.e. motors, electrical cable and power supply (transformer). At the conclusion of the warranty period, Ubbink® shall have no further obligation in connection with this limited warranty.

PARTS NOT COVERED UNDER WARRANTY: The filter bag, brushes, plastic components and wheels require replacement in the ordinary course of use due to normal wear. Therefore they are not covered by warranty.

MAINTENANCE: This machine requires maintenance in accordance with the Operating Instructions enclosed. Failure to observe this will void the warranty.

IMPROPER USE: This warranty covers ONLY normal use for a residential swimming pool. Damage, defects, malfunctions or any use which does not comply with the Operating Instructions or which otherwise result from acts of God, negligence, abuse or misuse are excluded. Damage or any failure caused by repair which is done by anyone other than an authorized service representative of Ubbink® shall not be covered.

THE WARRANTY OBLIGATIONS of Ubbink® shall be limited to repair or replacement of the product with new or refurbished parts and it shall not be liable or responsible under any circumstances or in any amount for consequential or incidental damages, or for injury or damages to persons or property using or used in connection with the product or for loss of profits or other costs or expenses of any kind of character. There are no warranties of merchantability, fitness for any particular purpose or otherwise or representations by Ubbink® other than as set forth herein, either expressed or implied and no person, firm or corporation is authorized to make any representation or incur any obligation in the name or on behalf of Ubbink® except as stated herein.

To OBTAIN WARRANTY SERVICE, call the agent first. After receiving an authorization from the agent, return the robot adequately packed, transportation charges prepaid, to the location given. Attach a copy of the invoice including date of purchase, serial number and description of the problem.

PLEASE SAVE YOUR BOX TO SIMPLIFY RETURN OF ROBOT IF NECESSARY



Proper disposal for this product

Within the EU this symbol indicates that this product cannot be disposed of as household waste. Used devices contain valuable materials that should be recycled and should not be allowed to damage the environment and human health through uncontrolled waste disposal. Therefore please dispose of used devices via suitable collection systems or send the device back to the place where you bought it from. They will then send the device for material recycling.

2 Robot Clean 1 Betriebsanleitung und Teileliste



Sehr geehrter Kunde,

Vielen Dank, dass Sie sich für unser Produkt entschieden haben, um Ihren Pool zu reinigen. Wir wünschen Ihnen bei der Pflege Ihres Swimmingpools in den nächsten Jahren viel Freude mit Ihrem neuen Roboter. Nehmen Sie sich vor der ersten Verwendung Ihres Roboters etwas Zeit und lesen Sie die Betriebsanleitung sorgfältig durch. Nochmals vielen Dank, dass Sie sich für unser Produkt entschieden haben.

⚠️ BETRETEN SIE DEN POOL NICHT, WÄHREND DER REINIGER IM EINSATZ IST

Teileliste

Ref.-Nr.	Beschreibung	Ref.-Nr.	Beschreibung
1	Schwimmendes Netzkabel	15	Pufferradgruppe
2	Befestigungsgelenk Netzkabel	16	Ersatzbürste
3	Universal-Ablaufgarnitur	17	Hauptbasisplatte
4	Obere Abdeckung	18	Filterbeutel
5	Wasserdichtes Verbindungsstück	19	Steuergerät
6	Aufnahmeclip	20	Netzkabelanschluss
7	Motormontage-Einheit	21	EIN-/AUS-Schalter
8	Motorfilter-Abdeckung	22	Netzkabel mit Stecker
9	Filterbeutel-Auflage	23	PCB-Platine
10	Radachsengruppe	24	Wechselrichter
11	Rad mit Beschichtung	25	Aluminiumplatte
12	Motor	26	Schraube ST4.2*8-F-H
13	Laufrad	27	Treiberplatine
14	Schraube ST3.9*11.6-C-H		



WICHTIGE SICHERHEITSHINWEISE

- Lesen Sie vor Installation dieses Produkts alle Sicherheitshinweise sorgfältig durch und bewahren Sie sie zum späteren Nachschlagen auf.
- Beachten Sie alle Warnhinweise und Anweisungen, die auf dem Netzteil und dem Reiniger angegeben sind. Die Nichtbeachtung der Sicherheitswarnungen und Anweisungen kann zu schweren Verletzungen oder Sachschäden führen.
- Das Gerät muss über eine Fehlerstrom-Schutzeinrichtung (FI-Schalter) mit einem Bemessungsfehlerstrom von nicht mehr als 30 mA versorgt werden. Der Anschluss an den Netzstromkreis sollte mit den lokalen und nationalen Verdrahtungsregeln übereinstimmen und von einem qualifizierten Elektriker durchgeführt werden.
- Die Stromversorgungsbox des Geräts muss mindestens 3,5 Meter vom Pool entfernt sein.
- Die Stromversorgungsbox des Geräts muss sicher am Boden oder an der Wand befestigt sein. Betreiben Sie das Gerät nie, ohne zuvor die Stromversorgungsbox befestigt zu haben.
- Halten Sie die Stromversorgung fern von starkem Regen oder Wasserpfützen.
- Schließen Sie das Stromkabel nicht an eine geerdete Steckdose an bzw. schalten Sie den Poolreiniger nicht „EIN“, wenn er nicht vollständig in Wasser eingetaucht ist. Der Betrieb des Reinigers außerhalb des Wassers kann schwere Schäden verursachen und führt zum Verlust der Garantie.
- Dieses Gerät eignet sich für die Reinigung von Wasser bei Temperaturen zwischen mindestens 5° C und maximal 45° C. Die empfohlene optimale Pooltemperatur liegt allerdings zwischen 22° C und 32° C.
- Belassen Sie den Reiniger nach Abschluss seines Reinigungszyklus 15 bis 20 Minuten lang im Wasser. Dadurch können die Motoren ausreichend abkühlen. Lassen Sie den Reiniger nicht ständig im Pool.
- Schalten Sie die Stromversorgung immer „AUS“ und ziehen Sie den Stecker aus der Anschlussbuchse, bevor Sie den Reiniger aus dem Pool nehmen.
- Der Reiniger darf nicht benutzt werden, wenn sich Personen im Pool befinden.
- Das Gerät ist nur für den Einsatz in Swimmingpools ausgelegt.
- Eine Fehlbedienung des Geräts kann zum Auslaufen von Schmiermitteln führen.
- Die abgedichtete Motoreinheit und die Stromversorgung (Trafo) enthalten keine Teile, die vom Benutzer gewartet werden sollten. Ihr Öffnen führt automatisch zum VERLUST Ihrer Garantie.
- Wenn das Stromkabel beschädigt ist, muss es von einem Kundendienstvertreter des Herstellers oder einer qualifizierten und geschulten Person ersetzt werden, um Gefahren zu vermeiden.
- Das Gerät darf nur mit der mit dem Reiniger gelieferten Original-Stromversorgungseinheit betrieben werden.
- Dieses Gerät kann von Kindern ab dem Alter von 8 Jahren und Personen mit eingeschränkten körperlichen, sensorischen oder geistigen Fähigkeiten, mangelnder Erfahrung und fehlendem Wissen verwendet werden, wenn sie eine Beaufsichtigung oder Anweisung im sicheren Umgang mit dem Gerät erhalten haben und die damit verbundenen Gefahren verstehen. Kinder sollten nicht mit dem Gerät spielen. Die Reinigung und die vom Benutzer ausführbaren Vorgänge dürfen von Kindern nur unter Beaufsichtigung durchgeführt werden.
- Halten Sie kleine Teile und Verpackungsmaterialien fern von Kindern. Gefahr durch Ersticken!

2 Robot Clean 1 Betriebsanleitung und Teileliste



ALLGEMEINE BETRIEBSANLEITUNG

⚠ BETRETEN SIE NICHT DEN SWIMMINGPOOL, WENN DER REINIGER IN BETRIEB IST

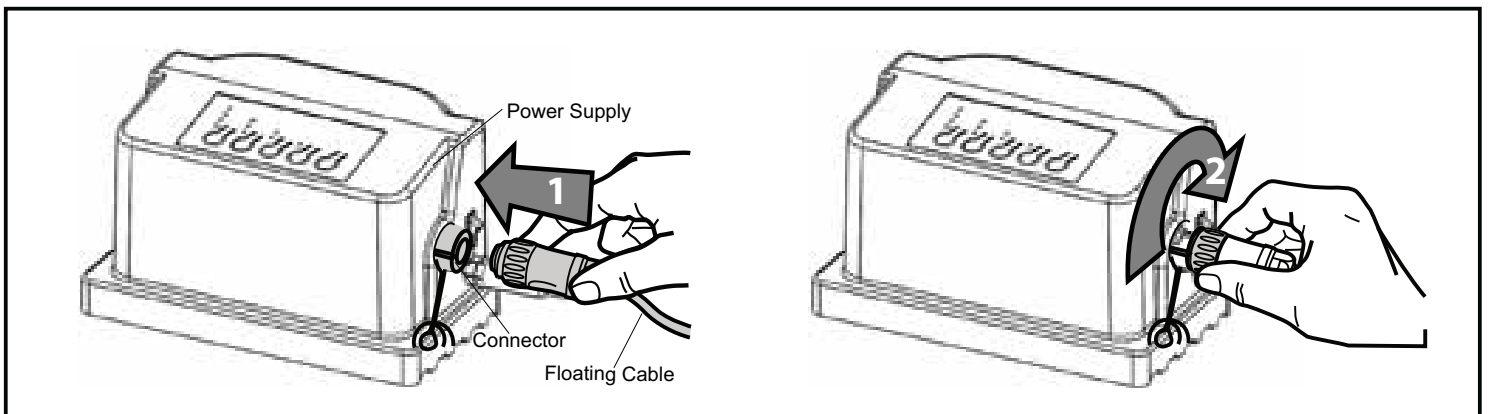
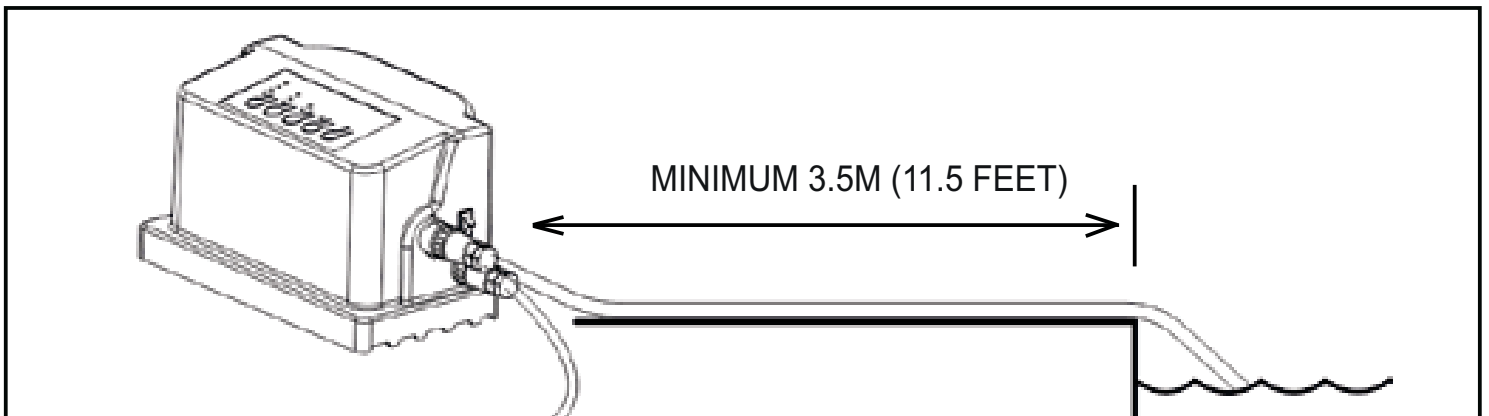
⚠ SCHALTEN SIE DEN REINIGER NICHT EIN, WENN ER NICHT IM WASSER IST

ACHTUNG: Entfernen Sie vor dem Einsatz Ihres Reinigers und insbesondere, wenn Sie den Pool zum ersten Mal öffnen, größere Gegenstände aus dem Pool, welche die Leistung des Reinigers beeinträchtigen könnten.

ACHTUNG: Nehmen Sie den Reiniger nach jedem Einsatz aus dem Pool. Wenn Sie den Reiniger ständig im Pool belassen, kann dies zu zusätzlichen Serviceanforderungen führen.

Ihr neuer automatischer Poolreiniger umfasst Folgendes:

- Roboter-Poolreiniger und Schwimmkabel.
- Stromversorgung (Trafo).

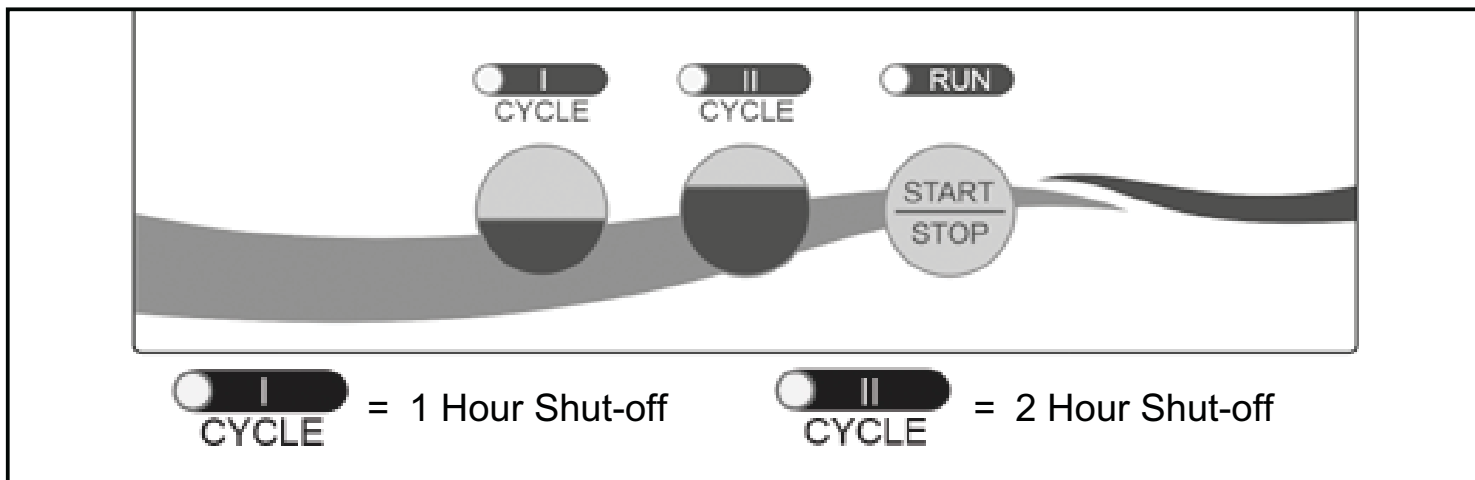


1. Platzieren Sie die Stromversorgungsbox mindestens 3,5 Meter entfernt vom Pool und mindestens 12 cm über der Oberfläche. Der Transformator versorgt den Reiniger mit Niederspannung.
2. Wickeln Sie das Schwimmkabel ab und fixieren Sie die Schwimmkugel in einer der Pooltiefe entsprechenden Position. Verwenden Sie die beiden weißen Clips, die am Schwimmkabel angehängt sind, um die Position der Schwimmkugel zu fixieren.
3. Platzieren Sie den Reiniger im Wasser. Drehen Sie das Gerät mit jeder Seite im Wasser, damit die Luft aus dem Gehäuse entweichen kann und lassen Sie den Reiniger dann auf den Boden des Pools absinken. Breiten Sie dann das Kabel möglichst gleichmäßig an der Oberfläche des Pools aus.
4. Schließen Sie das Schwimmkabel an die Steckdose der Stromversorgung an. Nachdem der Stecker eingesteckt ist, drehen Sie den Anschlussstecker nach rechts, bis er einrastet. Wenn Sie den Stecker herausnehmen, drehen Sie den Anschlussstecker zuerst nach links, um ihn zu lösen.
5. Schließen Sie die Stromversorgung an die Fi-geschützte Steckdose an und schalten Sie sie ein. Der REINIGER startet nun entsprechend den eingestellten Prozeduren mit der Durchführung des Reinigungszyklus.

VORSICHT - SCHALTEN SIE DEN REINIGER NICHT AUßERHALB VOM WASSER EIN. Dies kann zu einer Beschädigung der Pumpe und der Dichtungen für den Antriebsmotor und zu einem VERLUST der Garantie führen.

6. Wählen Sie den Reinigungszyklus und starten Sie:
 - a. Drücken Sie die Ein-/Aus-Taste einmal und lassen sie los, um die Stromversorgung EINzuschalten.
 - b. Drücken Sie die Ein-/Aus-Taste und lassen sie los, um die Stromversorgung AUSzuschalten. Die Anzeileuchte erlischt.
 - c. Die Stromversorgung hat 2 Einstellungen. Jede Einstellung wird durch die Poolgröße und Sauberkeit sowie die Dauer Ihres gewünschten Reinigungszyklus festgelegt.
 - d. Sie können zwischen ZYKLUS I und ZYKLUS II wählen. Drücken Sie die Taste für Ihre passende Einstellung, d.h. ZYKLUS I für einen kleinen Pool (1 Stunde Reinigungszyklus) oder ZYKLUS II für einen großen Pool (2 Stunden Reinigungszyklus).
 - e. Drücken Sie nach der Einstellung auf die START-Taste, um den Reiniger zu starten.
 - f. Wenn Sie den Zyklus ändern möchten, während der Reiniger in Betrieb ist, drücken Sie zuerst STOPP, wählen Sie dann den gewünschten Modus für den Zyklus aus und drücken Sie nach 5 Sekunden erneut auf START.Sollte ein zweiter Reinigungszyklus erforderlich sein, schalten Sie die Stromversorgung 5 Sekunden lang AUS und starten Sie erneut.

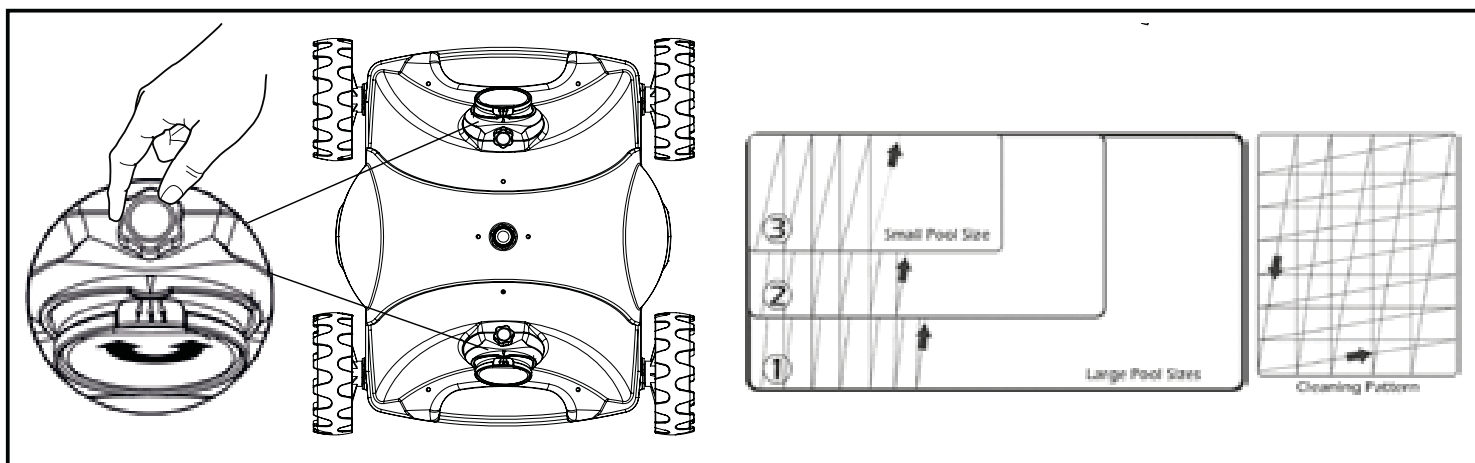
2 Robot Clean 1 Betriebsanleitung und Teileliste



7. Nachdem der Pool gereinigt ist, schalten Sie die Stromversorgung AUS und lassen den Roboter-Reiniger nach dem Abschluss des Reinigungszyklus 15-20 Minuten im Wasser. Dadurch kann der Motor ausreichend abkühlen. Nehmen Sie den Reiniger aus dem Pool.
8. Nehmen Sie den Reiniger im flachen Teil des Pools aus dem Wasser, wobei Sie am Kabel ziehen, bis der Reiniger die Wasseroberfläche erreicht. Heben Sie den Reiniger dann am Griff, NICHT am Kabel aus dem Wasser.



EINSTELLEN DES REINIGUNGSMUSTERS



Stellen Sie den Reiniger für Ihren Pool ein

Der Reiniger verfügt über zwei Auslässe und der Richtungswinkel für jeden Auslass kann im Betrieb eingestellt werden. Wenn der Winkel nicht ausreicht, stoppen Sie den Reiniger, lösen die Schraube - wie in der Abbildung gezeigt - und stellen die richtige Position manuell ein (Winkelabmessung: $0 < \alpha < 2$) und ziehen die Schrauben nach dem Einstellen an.

Nachstehend sehen Sie das standardmäßig programmierte Reinigungsmuster Ihres Reinigers. Bitte beachten Sie, dass jede unterschiedliche Poolform eine andere Einstellung erfordert.

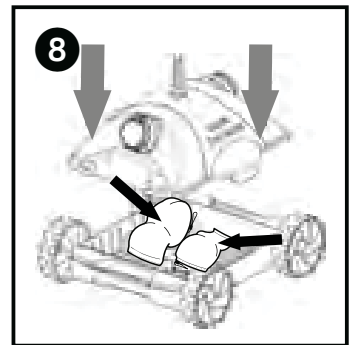
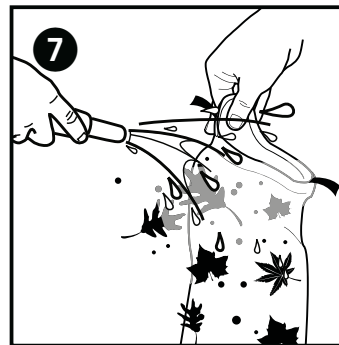
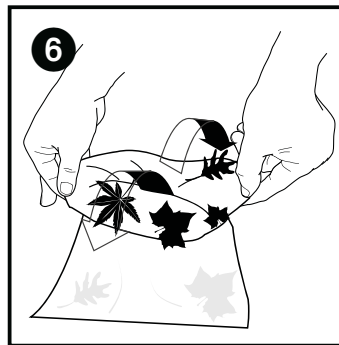
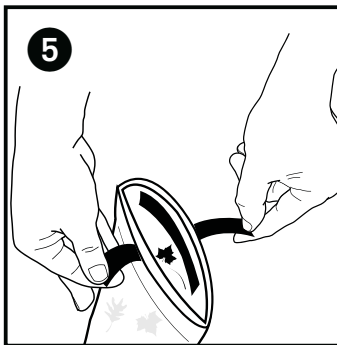
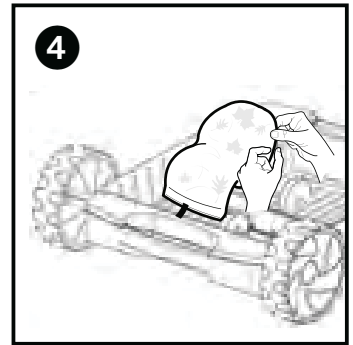
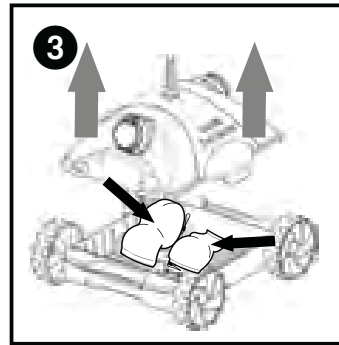
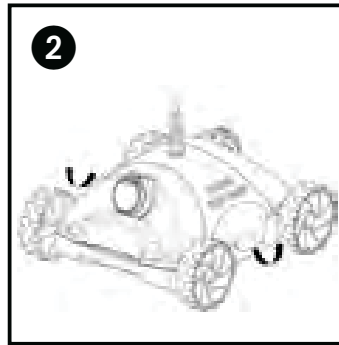
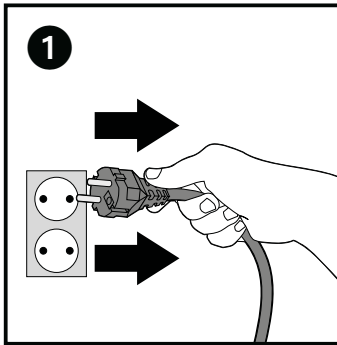
Hinweis: der Reiniger kann in der Mitte des Pools stoppen und während des Reinigungszyklus umkehren. Dies ist ein normaler Bestandteil des programmierten Zyklus.

2 Robot Clean 1 Betriebsanleitung und Teileliste



WARTUNG

Wartung des Filterbeutels



REINIGEN SIE DIE FILTERBEUTEL NACH JEDEM REINIGUNGSZYKLUS

- Trennen Sie das Netzteil von der Stromversorgung (siehe Abb. 1). Sorgen Sie dafür, dass der Stecker nicht nass wird.
- Stellen Sie den Reiniger auf eine ebene, saubere Oberfläche und entfernen Sie die obere Abdeckung, indem Sie die Tasten auf beiden Seiten drücken (siehe Abb. 2, 3)
- Nehmen Sie die Filterbeutel aus den Halterungen, drehen Sie das Innere der Beutel nach außen und waschen Sie den Schmutz mit einem Gartenschlauch oder einem Behälter aus (siehe Abb. 4,5,6,7). Drücken Sie die Beutel vorsichtig aus, bis das Wasser klar wird. Sie können die Beutel ebenso in der Maschine auf Kaltwäsche OHNE WASCHPULVER waschen.
- Bringen Sie die Beutel wieder in den Halterungen an und befestigen Sie die obere Abdeckung wieder am Gehäuse. Drücken Sie die Abdeckung nach unten, bis die Verriegelungslaschen einrasten (siehe Abb. 8)



Regelmäßige Reinigung der beweglichen Teile

⚠️ ⚠️ Trennen Sie die Stromversorgung von der Steckdose, bevor Sie die beweglichen Teile reinigen.

- Überprüfen Sie die Lüftung, um sicherzustellen, dass das Laufrad nicht durch Schmutz oder Haare verstopft wird.
- Das Laufrad kann durch Besprühen mit einem Gartenschlauch gesäubert werden.
- Entfernen Sie Schmutz, der sich an den Rädern angesammelt hat.

Lagerung

Spülen Sie den Reiniger nach dem Herausnehmen aus dem Wasser mit sauberem Wasser und bewahren Sie ihn an einem trockenen, schattigen Standort bei Temperaturen zwischen 4° C und 46° C auf.

Kabelpflege

Bei kontinuierlichem Gebrauch kann sich das Kabel verdrehen. Um dies zu beheben, sollte das Kabel regelmäßig in der Sonne ausgespannt werden, um Verdrehungen zu entfernen.

WICHTIG: Das Kabel sollte regelmäßig auf äußere Beschädigungen untersucht werden.

2 Robot Clean 1 Betriebsanleitung und Teileliste



FEHLERSUCHE

BITTE PRÜFEN SIE VOR EINEM ANRUF IM SERVICECENTER FOLGENDES

Bevor Sie mit der Fehlersuche beginnen, muss der Poolreiniger von der Stromversorgung getrennt und das Stromkabel aus der Steckdose gezogen werden, um Beschädigungen am Gerät und mögliche Verletzungen zu vermeiden.

A. Gerät pumpt kein Wasser oder bewegt sich nicht:

1. Prüfen Sie, ob die Steckdose Strom hat.
2. Prüfen Sie, ob der Transformator an eine geerdete Steckdose angeschlossen und das Schwimmkabel mit dem Transformator verbunden ist.
3. Schalten Sie Stromversorgung einige Male „AUS“ und „EIN“. Warten Sie zwischen „EIN“ und „AUS“ jeweils 45 Sekunden.
4. Prüfen Sie, ob das Gerät verschmutzt ist und entfernen Sie Dinge wie Haare, Schnüre oder Laub, welche die Räder blockieren können.

B. Gerät bewegt sich, pumpt aber gar kein Wasser oder pumpt langsam:

1. Überprüfen Sie, ob das Laufrad aufgrund von Haar- oder Schmutzansammlungen auf den Propellerrädern blockiert wird. Entfernen Sie die oberen Schrauben an jedem Auslass und reinigen Sie den Propeller. Ziehen Sie die Schrauben beim Wiedereinsetzen der oberen Abdeckung nicht zu fest an.
2. Überprüfen Sie, ob die Filterbeutel richtig sauber sind. Reinigen Sie ggf. die Filterbeutel.
3. Überprüfen Sie die Pumpenmotoren. Wenn sie nicht funktionieren, senden Sie das Gerät an Ihr Kundendienstcenter.

C. Gerät bewegt sich, pumpt aber kein Wasser:

1. Überprüfen Sie, ob die Vorwärts-/Rückwärtsbewegung durch Fremdkörper blockiert wird oder ob das Stromkabel sich verheddert hat. Reinigen Sie das Gerät ggf.

D. Das Gerät nimmt den Schmutz und Ablagerungen nicht auf

1. Prüfen Sie die Punkte B1 und B2 dieser Anleitung.
2. Prüfen Sie die Auslassklappen an der Unterseite Ihres Geräts. Die Klappen sollten sich frei öffnen und schließen lassen. Reinigen Sie die Auslassklappen ggf.

E. Das Gerät scheint nicht den gesamten Pool abzudecken:

1. Wahrscheinlich müssen die Filterbeutel gründlich gereinigt werden.
2. Prüfen Sie, ob das Schwimmkabel richtig ausgebreitet ist und sich nicht verheddert hat.
3. Lassen Sie das Gerät für einen vollständigen Reinigungszyklus im Pool laufen.
4. Überprüfen Sie, ob der Motor läuft.
5. Wenn es noch Probleme gibt, wenden Sie sich für spezielle zusätzliche Hilfe an Ihren Händler.

F. Beim Herausnehmen aus dem Pool fällt Schmutz aus dem Reiniger

1. Dies kann auftreten, wenn der Filter überlastet ist. Sorgen Sie dafür, dass keiner der beiden Einlässe durch größere Schmutzpartikel blockiert wird. Größere Fremdkörper müssen vor Gebrauch des Reinigers aus dem Pool entfernt werden.
2. Prüfen Sie, ob sich die Ablaufklappen an Ort und Stelle befinden oder ob sie in geöffneter Position durch Sand oder Laub verstopft sind. Lassen Sie die Klappen nach der evtl. Reinigung wieder einrasten.

G. Das Gerät hat den Pool in einem Zyklus nicht richtig oder nur einen kleinen Teil abgedeckt

- a) Prüfen Sie die Filterbeutel und reinigen Sie sie ggf.
- b) Vergewissern Sie sich, dass das Gerät nicht an den Abläufen, Bodenreinigungsköpfen oder Spielzeugen festhängt.
- c) Versuchen Sie, den Reiniger in unterschiedlichen Poolbereichen zu starten, um das optimale Reinigungsmuster zu finden.



GARANTIE

Dieser Poolreinigungsroboter wurde sorgfältig in Übereinstimmung mit den spezifizierten technischen Anforderungen und den geltenden Richtlinien hergestellt, getestet und überprüft. Ubbink® garantiert, dass Ihr Poolreinigungsroboter unter normalen Gebrauchs- und Servicebedingungen frei von Herstellungs- und Materialmängeln ist, vorbehaltlich der nachstehend beschriebenen Bedingungen und Einschränkungen. Diese Garantie erstreckt sich nur auf den Endbenutzer (der Verbraucher, der das Gerät gekauft hat).

GARANTIEZEIT: 2 Jahre für die Hauptteile, d.h. Motoren, Stromkabel und Stromversorgungseinheit (Trafo). Nach Ablauf dieser Gewährleistungsfrist übernimmt Ubbink® keine weitere Verpflichtung in Verbindung mit dieser eingeschränkten Garantie.

NICHT DURCH DIE GARANTIE ABGEDECKTE TEILE: Die Filterbeutel, Bürsten, Kunststoffteile und Räder müssen im normalen Verlauf der Nutzung aufgrund normaler Abnutzung ersetzt werden. Daher werden sie durch die Garantie nicht abgedeckt.

WARTUNG: Dieses Gerät muss in Übereinstimmung mit der beiliegenden Betriebsanleitung gewartet werden. Bei Nichteinhaltung erlischt diese Garantie.

UNSACHGEMÄSSE VERWENDUNG: Diese Garantie deckt NUR den normalen Gebrauch für einen privaten Swimmingpool ab. Schäden, Defekte, Fehlfunktionen oder ein unsachgemäß Gebrauch entgegen den Anweisungen in der Betriebsanleitung oder sonstige Schäden, die durch höhere Gewalt, Fahrlässigkeit, Missbrauch oder Fehlbedienung verursacht werden, sind von der Garantie ausgeschlossen. Schäden oder Störungen, die durch nicht von einem autorisierten Kundendienstvertreter von Ubbink® durchgeführte Reparaturen verursacht werden, sind nicht durch die Garantie abgedeckt.

Die GARANTIEVERPFLICHTUNGEN von Ubbink® sind begrenzt auf die Reparatur oder den Ersatz des Produkts mit/durch neue oder überarbeitete Teile und das Unternehmen ist unter keinen Umständen und in keiner Weise haftbar oder verantwortlich für Folgeschäden oder mittelbare Schäden oder für Verletzungen oder Personen- oder Sachschäden in Verbindung mit der Verwendung des Produkts oder für entgangene Gewinne oder andere Kosten oder Aufwendungen jedweder Art. Es gibt keine Zusicherungen der allgemeinen Gebrauchstauglichkeit, Eignung für bestimmte Zwecke oder anderweitige Gewährleistungen oder Darstellungen von Ubbink®, außer den hier angegebenen, weder ausdrücklich oder stillschweigend, und keine Person, Firma oder Unternehmung ist dazu berechtigt, über das hier Angegebene hinaus eine Vertretung zu übernehmen oder eine Verpflichtung im Namen oder im Auftrag von Ubbink® einzugehen. Wenden Sie sich zunächst an Ihren Kundendienstvertreter, um eine GARANTIELEISTUNG ZU ERHALTEN. Nach Freigabe durch den Vertreter, senden Sie den Roboter angemessen verpackt und unter Vorauszahlung der Transportkosten an die angegebene Adresse. Fügen Sie eine Rechkungskopie mit Angabe des Kaufdatums, der Seriennummer und Beschreibung des Problems bei.

BEWAHREN SIE IHRE VERPACKUNG AUF, UM DEN ROBOTER BEI BEDARF EINFACH ZURÜCKSENDEN ZU KÖNNEN



Korrekte Entsorgung dieses Produkts

Innerhalb der EU weist dieses Symbol darauf hin, dass dieses Produkt nicht über den Hausmüll entsorgt werden darf. Altgeräte enthalten wertvolle recyclingfähige Materialien, die einer Verwertung zugeführt werden sollten und um der Umwelt bzw. der menschlichen Gesundheit nicht durch unkontrollierte Müllbeseitigung zu schaden. Bitte entsorgen Sie Altgeräte deshalb über geeignete Sammelsysteme oder senden Sie das Gerät zur Entsorgung an die Stelle, bei der Sie es gekauft haben. Diese wird dann das Gerät der stofflichen Verwertung zuführen.

3 Robot Clean 1 Handleiding en onderdelenlijst



Geachte Klant,

Hartelijk dank dat u voor het schoonmaken van uw zwembad gekozen hebt voor ons product. Wij hopen dat u de komende jaren voor het onderhoud van uw zwembad met veel plezier gebruik zult maken van uw nieuwe robotcleaner. Neem voordat u begint met het gebruik van uw robotcleaner eerst een paar minuten de tijd om deze handleiding goed door te lezen. Nogmaals onze dank dat u de keus liet vallen op ons product.

 **GA NIET HET ZWEMBAD IN TERWIJL DE CLEANER IN GEBRUIK IS**

Onderdelenlijst

Ref. Nr.	Beschrijving	Ref. Nr.	Beschrijving
1	Drijvend netsnoer	15	Wielen met stootbescherming
2	Netsnoer bevestigingsstuk	16	Reserveborstel
3	Universeel afvoersysteem	17	Onderstuk grootste behuizing
4	Bovenste afdekplaat	18	Filterzak
5	Waterdicht koppelstuk	19	Bedieningspaneel
6	Grijpklem	20	Aansluiting van netsnoer
7	Motorsteunen	21	AAN/UIT-schakelaar
8	Motorfilterdeksel	22	Netsnoer met stekker
9	Filterzaksteun	23	Printplaat
10	Wielasophanging	24	Vermogensomvormer
11	Wiel met coating	25	Aluminium plaat
12	Motor	26	Schroef ST4.2*8-F-H
13	Schoepenrad	27	Besturingsprogramma
14	Schroef ST3.9*11.6-C-H		



BELANGRIJKE VEILIGHEIDSIINSTRUCTIES

- Lees voor het gebruik van dit product eerst deze bedieningshandleiding goed door en bewaar deze om later nog eens te kunnen raadplegen.
- Neem alle waarschuwingen en instructies die zijn aangegeven voor de stroomtoevoer en de cleaner goed in acht. Het niet opvolgen van waarschuwingen en instructies kan leiden tot ernstig letsel of schade aan eigendommen.
- Het apparaat moet op de stroom zijn aangesloten via een aardlekschakelaar (RCD) met een nominale aardlekstroom van maximaal 30 mA. De aansluiting op het lichtnet moet in overeenstemming zijn met de lokale en nationale bedradingsvoorschriften en moet worden uitgevoerd door een gekwalificeerd elektricien.
- De stroomvoorziening voor de cleaner moet zich op minimaal 3,5 meter van het zwembad bevinden.
- De voeding van het apparaat moet stevig worden bevestigd op de grond of aan de muur. Gebruik het apparaat nooit zonder eerst de voeding te bevestigen.
- Zorg dat de voeding niet nat kan regenen of in een plas komt te staan
- Steek de stekker van de voeding alleen in een geaard stopcontact of zet de poolcleaner niet op "ON" zolang deze niet volledig is ondergedompeld in water. Als u de cleaner aanzet terwijl deze niet in het water ligt, kan daar zware schade aan ontstaan en kunt u geen beroep meer doen op de garantie.
- Dit apparaat is geschikt voor het reinigen van water bij temperaturen van minimaal 5°C en maximaal 45°C. De aanbevolen optimale temperatuur voor het zwembadwater ligt echter tussen 22 °C en 32°C.
- Laat de cleaner na afloop van de reinigingscyclus nog 15 tot 20 minuten in het zwembad achter. Hierdoor kunnen de motoren voldoende afkoelen. Laat de cleaner niet permanent in het zwembad achter.
- Zet de voeding altijd op "OFF" en trek de stekker uit het stopcontact voordat u de cleaner uit het zwembad verwijdert.
- De cleaner mag niet worden gebruikt terwijl er nog mensen in het water zijn.
- Het apparaat is uitsluitend bedoeld voor gebruik in zwembaden..
- Verkeerd gebruik van het apparaat kan resulteren in lekkage van smeermiddelen.
- De verzegelde motor en de voeding (transformator) bevatten geen onderdelen die door de gebruiker kunnen worden gerepareerd. Door ze te openen komt uw garantie automatisch te VERVALLEN.
- Indien het netsnoer beschadigd is, moet dat om gevaar te voorkomen worden vervangen door de fabrikant, diens serviceagent of iemand die daarvoor bevoegd en opgeleid is.
- Voor het apparaat mag alleen gebruik gemaakt worden van de voeding die met de cleaner meegeleverd is.
- Dit apparaat kan gebruikt worden door kinderen van 8 jaar en ouder en door personen met een lichte lichamelijke, zintuiglijke of verstandelijke beperking dan wel met onvoldoende ervaring en kennis, mits zij onder toezicht gebruikmaken van het apparaat of uitleg gekregen hebben over het veilig gebruik en de mogelijke gevaren ervan. Geen kinderen met het apparaat laten spelen. Schoonmaak- en (lichte) onderhoudswerkzaamheden mogen niet door kinderen worden uitgevoerd zonder toezicht.
- Houd kleine (montage-)onderdelen en verpakkingsmaterialen uit de buurt van kinderen. Gevaar door kans op verstikking!

3 Robot Clean 1 Handleiding en onderdelenlijst



ALGEMENE BEDIENINGSINSTRUCTIES

⚠ GA HET ZWEMBAD NIET IN TERWIJL DE CLEANER IN WERKING IS

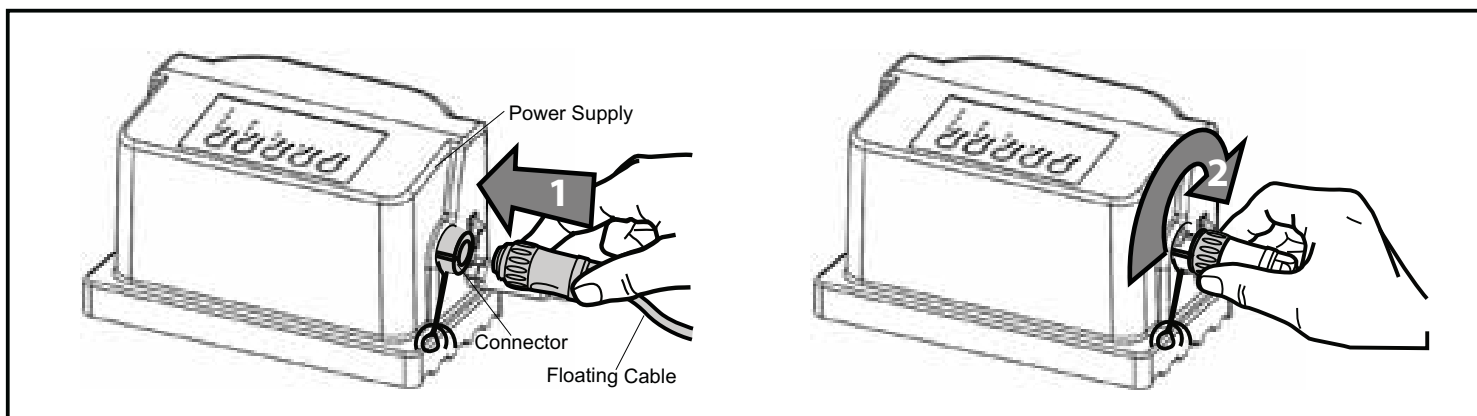
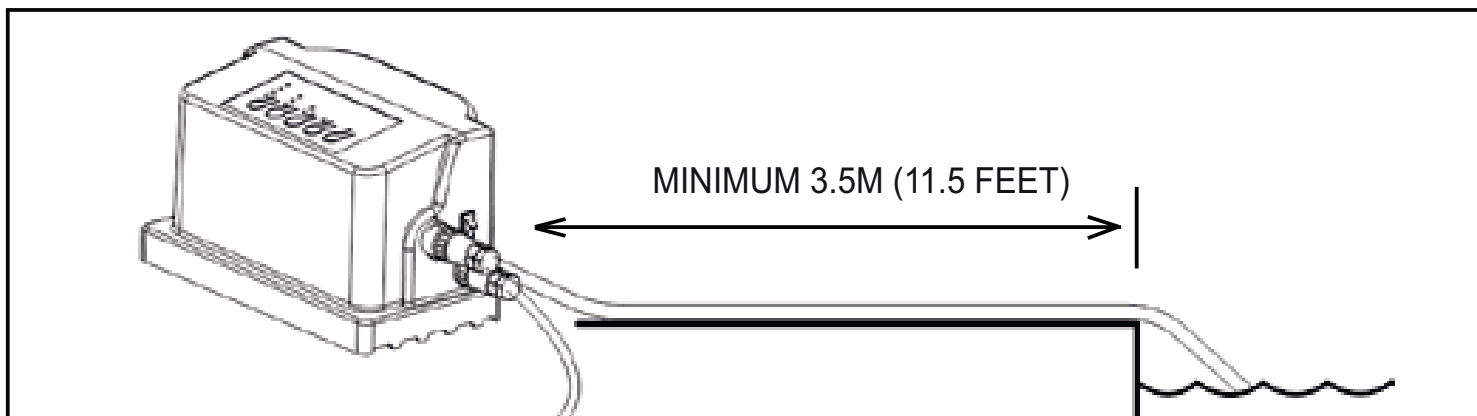
⚠ SCHAKEL DE CLEANER NIET IN ALS DIE NIET IS ONDERGEDOMPELD IN HET WATER

ATTENTIE: voordat u uw cleaner gebruikt, vooral bij de eerste keer dat u het zwembad na langere tijd weer in gebruik neemt, moet u daar evt. grotere voorwerpen uit verwijderen omdat de cleaner anders niet goed werkt.

ATTENTIE: haal de cleaner elke keer na gebruik weer uit het zwembad. Wanneer u de cleaner permanent in het zwembad achterlaat, kan het gevolg zijn dat het apparaat meer dan normaal onderhoud behoeft.

Uw nieuwe automatische poolcleaner bestaat uit:

- een schoonmaakrobot met een drijvende kabel.
- voeding (transformator).

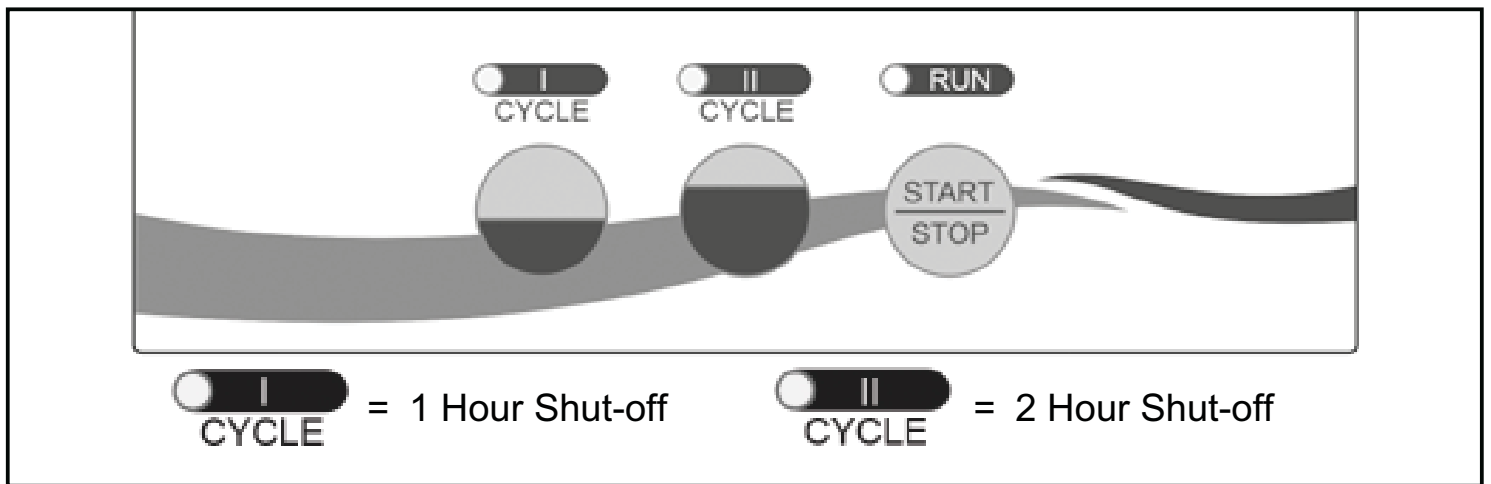


1. Plaats de voeding op minstens 3,5 meter van het zwembad en minstens 12 cm boven het oppervlak. De transformator levert laagspanning aan de cleaner.
2. Rol de drijvende kabel uit en bevestig de zwevende bal op een positie die overeenkomt met de diepte van het zwembad. Gebruik de twee witte klemmen die aan de drijvende kabel vastzitten om de zwevende bal in de goede positie te houden.
3. Zet de cleaner in het water. Laat het apparaat eerst met de ene en dan met de andere zijde in het water kantelen om zo de lucht uit de behuizing te laten ontsnappen en laat de cleaner vervolgens naar de bodem van het zwembad zakken. Laat de kabel vervolgens zoveel mogelijk verspreid over het oppervlak van het zwembad drijven.
4. Steek de stekker van de drijvende kabel in het stopcontact van de voeding. Zodra de stekker er inzit, moet u het stopcontact naar rechts draaien om dat op zijn plaats te vergrendelen. Om de stekker te verwijderen moet u eerst het stopcontact naar links draaien om dat te ontgrendelen, waarna de stekker eruit kan.
5. Sluit de voeding aan op het met een aardlekschakelaar beveiligde stopcontact en zet hem aan. De CLEANER zal nu de schoonmaakcyclus gaan afwerken op de manier die daarvoor is ingesteld.

VOORZICHTIG - Schakel de cleaner NIET in als die net uit het water komt. Dit kan schade veroorzaken aan de pomp en de afdichting van de aandrijfmotor, waardoor de garantie komt te VERVALLEN.

6. Kies een schoonmaakcyclus en start:
 - a. Om de voeding op AAN te zetten, drukt u één keer op de aan/uit-knop.
 - b. Om de voeding op UIT te zetten, drukt u één keer op de aan/uit-knop. Het lampje gaat dan op UIT.
 - c. De voeding heeft 2 instellingen. Elke instelling is afhankelijk van hoe groot en hoe schoon het zwembad is en hoe lang u het apparaat zijn werk wilt laten doen.
 - d. U kunt kiezen uit CYCLE I en CYCLE II. Druk op de toets voor de correcte instelling, bijv. CYCLE I voor een klein zwembad (schoonmaakcyclus van 1 uur) of CYCLE II voor een groot zwembad (schoonmaakcyclus van 2 uur)
 - e. Na het instellen drukt u op de knop START om de cleaner te laten beginnen.
 - f. Als u van cyclus wilt veranderen terwijl de cleaner al aan het werk is, drukt u eerst op STOP en kiest u vervolgens alsnog de gewenste cyclus, en drukt u dan na 5 seconden nog een keer op START.Mocht er nog een tweede schoonmaakcyclus nodig zijn, zet de voeding dan eerst 5 seconden op OFF en start het apparaat vervolgens weer.

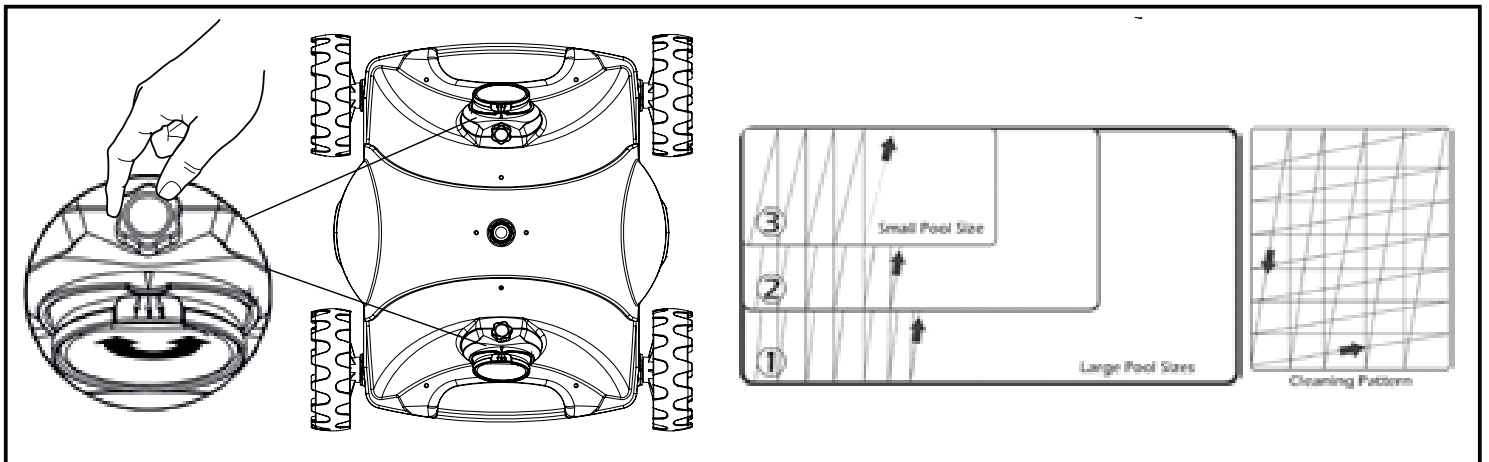
3 Robot Clean 1 Handleiding en onderdelenlijst



7. Zodra het zwembad is schoongemaakt, zet u aan het eind van de schoonmaakcyclus de voeding op OFF en laat u de robotcleaner 15-20 minuten in het bad achter. Daardoor kan de motor goed afkoelen. Daarna haalt u de cleaner uit het zwembad.
8. De cleaner moet u uit het zwembad halen in het ondiepe gedeelte daarvan, door aan de kabel te trekken totdat de cleaner aan het wateroppervlak komt. Til hem dan uit het water aan de handgreep en NIET aan de kabel.



INSTELLEN VAN HET SCHOONMAAKPATROON



De cleaner afstemmen op uw zwembad

De cleaner heeft twee uitlaten, waarvan de richting kan worden afgesteld terwijl het apparaat in werking is. Als de hoek niet geheel naar wens is, zet de cleaner dan stil, maak de schroef los zoals getoond in de afbeelding en stel met de hand de juiste stand in (hoek: $0 < 1 < 2$); draai na het aanpassen de schroef weer vast.

Bovenaan ziet u het standaard ingestelde schoonmaakpatroon van uw cleaner. Houdt u er even rekening mee dat de instelling daarvoor verschilt al naargelang de vorm van het zwembad.

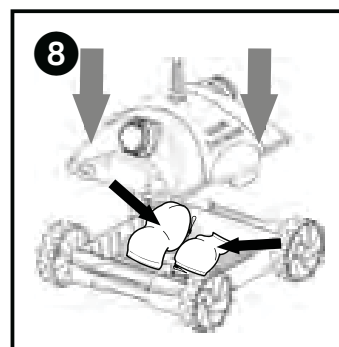
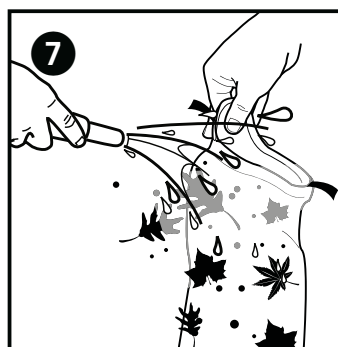
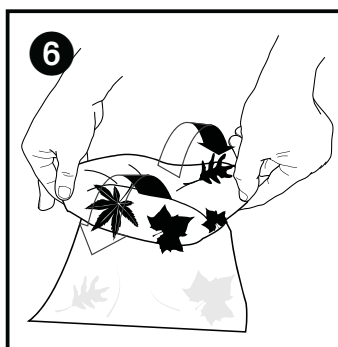
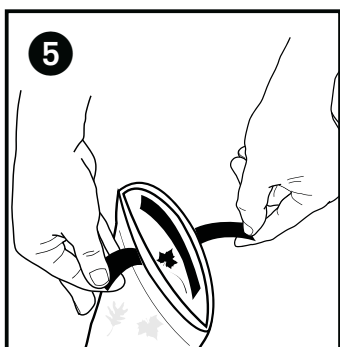
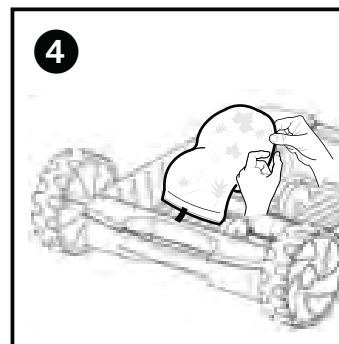
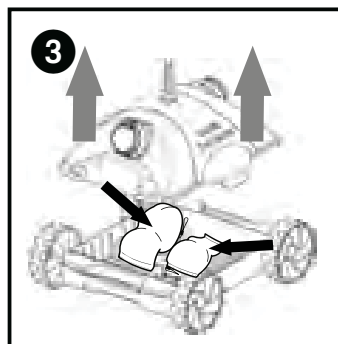
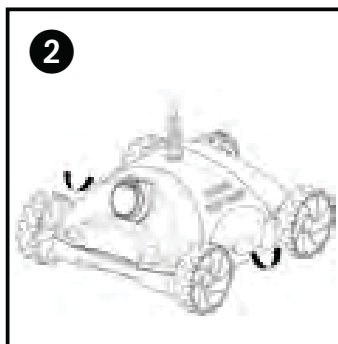
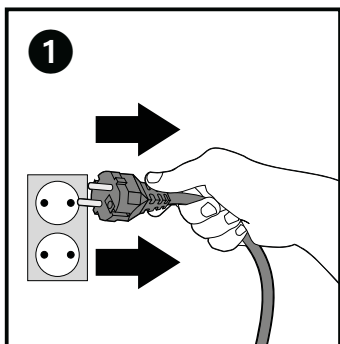
Opmerking: de cleaner kan tijdens de schoonmaakcyclus in het midden van het zwembad tot stilstand komen en dan in de omgekeerde richting verdergaan. Dit is een normaal onderdeel van de geprogrammeerde cyclus.

3 Robot Clean 1 Handleiding en onderdelenlijst



ONDERHOUD

Filterzakonderhoud



REINIG DE FILTERZAKKEN NA ELKE SCHOONMAAKBEURT

- Haal de netadapter uit het stopcontact (zie fig. 1). Zorg dat de stekker niet nat wordt.
- Plaats de cleaner op een glad en schoon oppervlak en verwijder de bovenklep door het indrukken van de knoppen aan beide zijden (zie fig. 2, 3)
- Haal de filterzakken uit hun steunen, keer de zakken binnenstebuiten om al het stof en vuil er met een tuinslang uit te spoelen of in een container te doen (zie fig. 4,5,6,7). Knijp stevig in de zakken totdat het water er helemaal uit is gelopen. U kunt de filterzakken ook in de wasmachine wassen op koud water ZONDER WASMIDDEL.
- Maak de filterzakken weer vast aan hun steunen en zet het bovenste deksel terug op de behuizing. Druk op het deksel totdat het vastklikt (zie fig. 8)



Periodieke schoonmaak van bewegende delen

⚠️ ⚠️ Trek voordat u begint met het schoonmaken van bewegende delen altijd eerst de stekker uit het stopcontact.

- Controleer of het schoepenrad niet verstopt is geraakt door brokstukken of haren.
- Het schoepenrad kan worden schoongemaakt door de tuinslang erop te zetten.
- Verwijder eventuele brokstukken die zich hebben verzameld rond de raderen

Opslag

Wanneer de cleaner uit het water is, kunt u die met schoon water afspoelen en vervolgens op een droge schaduwrijke plek opslaan, bij een temperatuur van tussen de 4°C en 46°C.

Zuinig op de kabel

Naarmate de kabel langer in gebruik is, kan deze gekronkeld raken. Om dit ongedaan te maken, moet u de kabel regelmatig helemaal uitleggen in het zonlicht, waardoor de kronkels er vanzelf weer uit gaan.

BELANGRIJK: De kabel moet periodiek worden gecontroleerd op uitwendige schade

3 Robot Clean 1 Handleiding en onderdelenlijst



PROBLEMEN OPLOSSEN

CONTROLEER HET VOLGENDE VOORDAT U MET UW SERVICECENTER BELT

Voordat u begint met het oplossen van een probleem, moet de poolcleaner van de voeding worden afgekoppeld en die op zijn beurt van het lichtnet afgehaald worden, om schade aan het apparaat en mogelijk persoonlijk letsel te voorkomen.

A. Het apparaat pompt geen water op of er zit geen beweging in:

1. Controleer of er wel stroom op de elektrische aansluiting zit.
2. Controleer of de transformator is aangesloten op een geaard stopcontact en de drijvende kabel is aangesloten op de transformator.
3. Schakel de voeding een paar keer afwisselend op "OFF" en "ON". Laat telkens 45 seconden verlopen tussen "ON" en "OFF".
4. Controleer of er geen resten zijn achtergebleven zoals haren, een stukje koord of bladeren die de vrije beweging van de wielen kunnen belemmeren en verwijder die zo nodig.

B. Het apparaat beweegt wel maar pompt helemaal geen water of alleen heel langzaam:

1. Controleer of het schoepenrad niet geblokkeerd is door haarresten of andere rommel rond de schoepen. Draai aan de bovenkant van elke uitlaat de schroeven los en maak het schoepenrad schoon. Let erop dat als u de bovenklep weer aanbrengt, u de schroeven niet te vast aandraait.
2. Controleer of de filterzakken wel helemaal schoon zijn. Maak alles zonnodig nog eens schoon.
3. Controleer de pompmotoren. Als ze niet goed functioneren, moet u het apparaat naar uw servicecenter (laten) brengen.

C. Het apparaat beweegt niet maar pompt wel water op:

1. Controleer of de beweging vooruit/achteruit niet geblokkeerd wordt door vreemde voorwerpen of dat het snoer helemaal in de war zit. Maak alles zonnodig nog eens schoon.

D. Het apparaat pikt geen vuil en resten op:

1. Kijk bij B1 en B2 van deze bedieningshandleiding.
2. Controleer de uitlaatkleppen aan de onderzijde van uw apparaat. De kleppen moeten ongehinderd open en dicht kunnen. Maak de uitlaatkleppen zonnodig schoon en weer gangbaar.

E. Het apparaat lijkt niet het hele zwembad af te werken:

1. Waarschijnlijk is het tijd voor een grondige schoonmaak van de filterzak.
2. Controleer of de drijvende kabel zich wel goed heeft verspreid en niet in de war zit.
3. Laat het apparaat gedurende de gehele schoonmaakcyclus door het zwembad gaan.
4. Controleer of de motor wel draait.
5. Als het probleem zich nog steeds voordoet, neemt u dan contact op met uw dealer voor extra gerichte ondersteuning.

F. Bij het uit het zwembad halen van de cleaner vallen daar resten uit

1. Dit kan komen doordat het filter overbelast is. Kijk of de uitlaten niet worden geblokkeerd door brokstukken. Grotere brokstukken moeten uit het zwembad worden gehaald voordat gebruik wordt gemaakt van de cleaner.
2. Controleer of de uitlaatkleppen niet zijn verschoven of door zand en bladeren vast in de open stand zijn komen te staan. Duw de uitlaatkleppen weer op hun plaats, nadat u het gedeelte hier hebt schoongemaakt.

G. Bij een bepaalde cyclus werkt het apparaat niet goed af of doet het maar een klein deel ervan

1. Controleer de filterzakken en maak ze zo nodig schoon.
2. Let erop dat het apparaat niet vast komt te zitten tegen afvoerbuizen, reinigingskoppen op de bodem of tegen speelgoed.
3. Probeer eens uit wat er gebeurt als de cleaner vanuit verschillende gedeeltes van het zwembad begint, om zo het optimale schoonmaakpatroon te vinden.



GARANTIE

Deze robotcleaner voor zwembaden is gefabriceerd, getest en zorgvuldig gecontroleerd op conformiteit met de gespecificeerde constructie en de actuele eisen.

Ubbink® garandeert dat uw robotcleaner voor zwembaden vrij is van fabricagefouten en materiaaldefecten bij normaal gebruik en onderhoud, overeenkomstig de voorwaarden en inperkingen zoals hieronder beschreven. Deze garantie geldt alleen voor de eindgebruiker (de consument die de machine heeft aangeschaft).

DUUR VAN DE GARANTIE: 2 jaar op de belangrijkste onderdelen, d.w.z. motoren, elektrische kabel en voeding (transformator). Na het verstrijken van de garantietermijn heeft Ubbink® geen verdere verplichting met betrekking tot deze beperkte garantie.

ONDERDELEN DIE NIET ONDER DE GARANTIE VALLEN: de filterzak, borstels, kunststof componenten en raderen behoeven in de loop van het regelmatig gebruik vervanging als gevolg van normale slijtage. Daarom vallen die niet onder de garantie.

ONDERHOUD: deze machine vereist onderhoud zoals beschreven in de bijgesloten bedieningsinstructies. Bij niet-naleving daarvan vervalt de garantie.

ONEIGENLIJK GEBRUIK: deze garantie dekt ALLEEN normaal gebruik voor een privézwembad. Schade, defecten, storingen of enig gebruik dat niet in overeenstemming is met de Gebruiksaanwijzing of anderszins het gevolg is van overmacht, nalatigheid, misbruik of verkeerd gebruik, is van de garantie uitgesloten. Schade of een storing veroorzaakt door een reparatie die is uitgevoerd door iemand die daartoe niet door Ubbink® is aangewezen, wordt niet gedekt.

DE GARANTIEVERPLICHTINGEN van Ubbink® blijven beperkt tot de reparatie of vervanging van het product met nieuwe of gereviseerde onderdelen, terwijl Ubbink® onder geen beding of in enigerlei mate aansprakelijk of verantwoordelijk kan worden gesteld voor gevolgschade of incidentele schade, dan wel voor letsel of schade aan personen of goederen die gebruikmaken of in verband waarmee gebruik gemaakt is van het product, dan wel voor winstderving of andere kosten of overige indirecte schade van welke aard ook. Er zijn geen garanties inzake de verkoopbaarheid, geschiktheid voor een bepaald doel of anderszins, dan wel verklaringen door Ubbink® afgegeven, anders dan uiteengezet in dit document, uitdrukkelijk noch impliciet; geen enkele persoon, firma of vennootschap is gemachtigd om enige verklaring of enige verplichting aan te gaan, in naam van of vanwege Ubbink®, tenzij hier uitdrukkelijk vermeld. Om gebruik te maken van de GARANTIESERVICE moet u eerst bellen met het verkooppunt. Nadat u hiervoor vanuit het verkooppunt toestemming hebt verkregen, moet u de robotcleaner deugdelijk verpakt en met vooraf betaalde transportkosten versturen naar de opgegeven locatie. Doe daar een kopie van de factuur bij, met vermelding van de datum van aankoop, het serienummer en een beschrijving van het probleem.

BEWAAR DE DOOS WAARIN DE ROBOTCLEANER WAS VERPAKT, OM EEN EVENTUELE RETOURZENDING TE VERGEMAKKELIJKEN



Correcte verwijdering van het product

Binnen de EU heeft dit symbool aan dat dit product niet met het gewone huis- en keukenafval mag meegegeven worden. Oude apparaten bevatten waardevolle stoffen die gerecycled kunnen worden. Deze producten moeten dan ook via recycling hergebruikt worden, zodat ze geen milieuschade of gezondheidsrisico's kunnen veroorzaken door ongecontroleerde verwijdering. Breng oude apparaten dan ook naar een hiervoor bedoelde verzamelplek of breng ze terug naar de plek waar u ze heeft aangekocht. Hier kan uw apparaat dan op correcte wijze verwijderd worden.

4 Robot Clean 1 Instructions d'utilisation et nomenclature des pièces



Chère cliente, cher client,

Merci d'avoir choisi notre produit pour nettoyer votre piscine. Nous espérons que vous profiterez pleinement de l'utilisation de votre nouveau robot pour entretenir votre piscine pendant les années à venir. Avant de commencer à utiliser votre robot, merci de prendre quelques minutes pour lire attentivement ses instructions d'utilisation. Merci encore d'avoir choisi notre produit.

 **NE PAS ENTRER DANS LA PISCINE QUAND LE ROBOT EST EN TRAIN DE NETTOYER**

Nomenclature des pièces

Réf.	Description	Réf.	Description
1	Câble d'alimentation flottant	15	Groupe de roues antichoc
2	Joint de fixation du câble d'alimentation	16	Brosse de rechange
3	Groupe de drainage universel	17	Base principale
4	Couvercle	18	Sac de filtre
5	Raccord résistant à l'eau	19	Boîtier de contrôle
6	Clip de fixation	20	Prise du câble d'alimentation
7	Groupe de montage du moteur	21	Interrupteur Marche/Arrêt
8	Couvercle filtrant du moteur	22	Câble d'alimentation avec fiche
9	Groupe de support du sac de filtre	23	Panneau en PCB
10	Groupe des essieux des roues	24	Inverseur de courant
11	Roue à revêtement	25	Plaque en aluminium
12	Moteur	26	Vis ST4.2*8-F-H
13	Rotor	27	Panneau de conduite
14	Vis ST3.9*11.6-C-H		



CONSIGNES DE SÉCURITÉ IMPORTANTES

- Avant d'installer ce produit, lire attentivement toutes les consignes de sécurité et les conserver pour pouvoir les consulter à nouveau ultérieurement.
- Respecter toutes les mises en garde et toutes les instructions indiquées sur l'alimentation électrique et sur le robot. Le non-respect des avertissements et des instructions de sécurité peut entraîner des blessures graves ou des dégâts matériels.
- L'unité doit être alimentée par un dispositif différentiel résiduel (DDR) dont le courant résiduel ne doit pas dépasser les 30 mA. La connexion avec le circuit de dérivation doit être conforme aux réglementations de câblages et doit être réalisée par un électricien qualifié.
- Le boîtier d'alimentation électrique du robot doit être placé au moins à 3,5 mètres de distance de la piscine.
- Le boîtier d'alimentation électrique de l'unité doit être fixé de manière sûre sur le sol ou le mur. N'utilisez jamais l'unité sans avoir fixé auparavant le boîtier d'alimentation électrique.
- Protégez l'alimentation électrique des averse importantes et ne pas le placer dans les flaques d'eau
- Ne branchez pas l'alimentation électrique dans une prise de terre et ne mettez pas le robot nettoyeur de piscine sur « ON » s'il n'est pas entièrement immergé. Utiliser le robot hors de l'eau peut l'endommager gravement et entraîne la perte de la garantie.
- Cette unité convient au nettoyage de l'eau à des températures comprises entre 13°C minimum et 35°C maximum. Cependant la température optimale recommandée s'établit entre 22°C et 32°C.
- Laissez le robot dans la piscine pendant 15 à 20 minutes après la fin du cycle de nettoyage. Cela permettra au moteur de refroidir correctement. Ne pas laisser le robot en permanence dans la piscine.
- Mettez toujours l'alimentation électrique sur « OFF » et débranchez la prise avant de retirer le robot de la piscine.
- Ne pas utiliser le robot quand des personnes se trouvent dans l'eau.
- Cette unité a été conçue pour être utilisée dans des piscines uniquement.
- Une mauvaise manipulation de l'unité peut entraîner des fuites de lubrification.
- L'unité de moteur scellée et l'alimentation électrique (transformateur) ne contiennent aucune pièce à remplacer par l'utilisateur. Les ouvrir entraîne automatiquement l'ANNULATION de votre garantie.
- Si le câble d'alimentation est endommagé, il doit être remplacé par le service après-vente du fabricant ou une personnes qualifiées et formée pour éviter tout risque.
- L'unité ne doit être utilisée qu'avec l'alimentation électrique fournie avec le robot.
- Cette unité peut être utilisée par des enfants à partir de 8 ans et des personnes à capacités physiques, sensorielles ou mentales réduites ou manquant d'expérience et de connaissances s'ils ont été supervisés ou instruits de l'utilisation sûre de cet appareil et s'ils comprennent les risques impliqués. Les enfants ne doivent pas jouer avec l'appareil. Le nettoyage et la maintenance ne doivent pas être effectués par des enfants qui ne sont pas supervisés.
- Tenir les petites pièces et les matériaux d'emballage hors de portée des enfants. Risques d'asphyxie!

4 Robot Clean 1 Instructions d'utilisation et nomenclature des pièces



INSTRUCTIONS GÉNÉRALES D'UTILISATION

⚠ NE PAS ENTRER DANS LA PISCINE QUAND LE ROBOT EST EN SERVICE

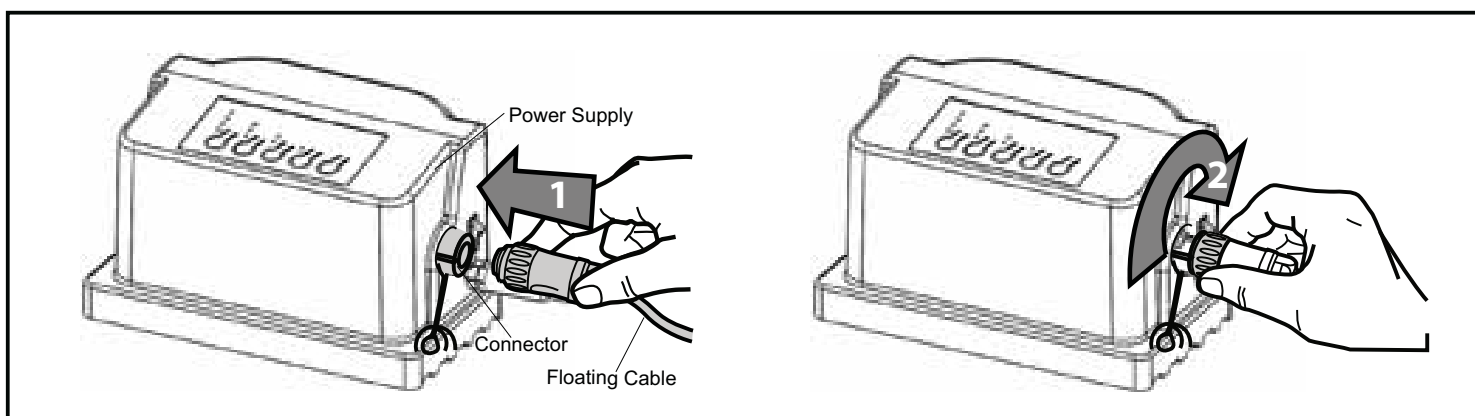
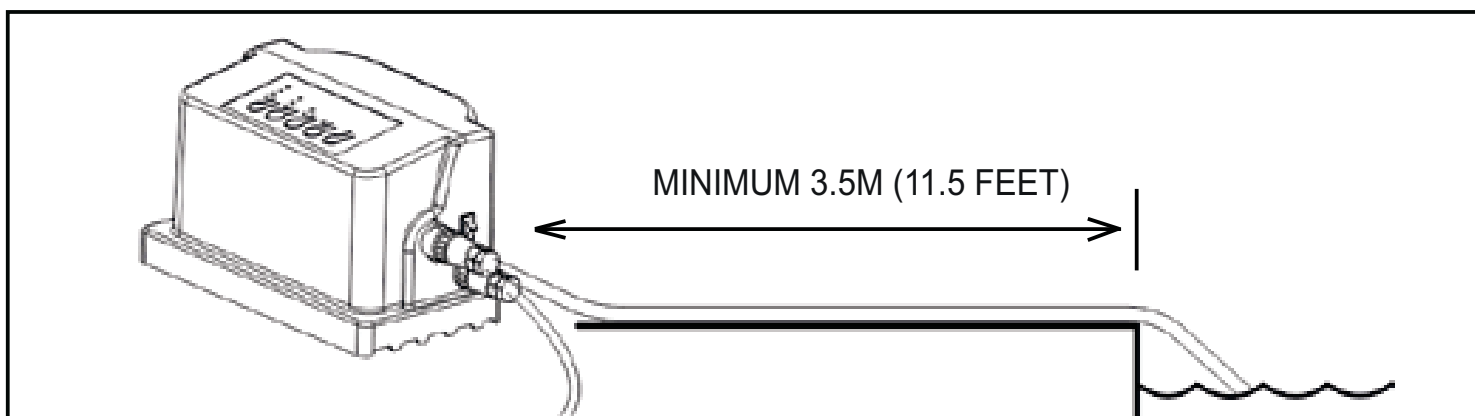
⚠ NE PAS METTRE LE ROBOT EN MARCHÉ S'IL N'EST PAS IMMÉRGÉ DANS L'EAU

ATTENTION : Avant d'utiliser votre robot et tout particulièrement quand vous ouvrez la piscine pour la première fois, retirez les objets de grande taille pouvant gêner la performance du robot.

ATTENTION : Retirer le robot de la piscine après chaque utilisation. Laisser le robot en permanence dans la piscine entraîne des exigences d'entretien supplémentaires.

Votre nouveau robot nettoyeur de piscine automatique comprend :

- robot nettoyeur de piscine et câble flottant.
- alimentation électrique (transformateur).

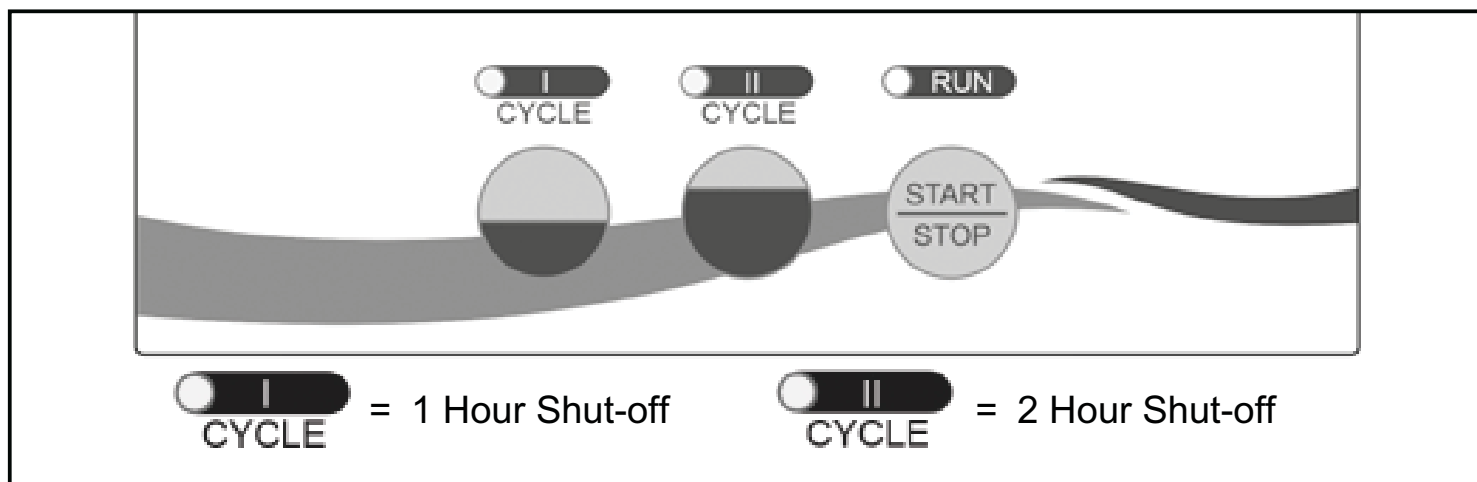


1. Placez le boîtier d'alimentation électrique du robot au moins à 3,5 mètres de distance de la piscine et à 12 cm au-dessus de la surface. Le transformateur alimente le robot en basse tension.
2. Déroulez le câble flottant et fixez la position du flotteur en fonction de la profondeur de la piscine. Utilisez les deux clips blancs attachés au câble flottant pour fixer la position du flotteur.
3. Placez le robot dans l'eau. Le balancer d'un côté à l'autre l'eau afin de permettre à l'air de s'en échapper et laissez couler le robot au fond de la piscine. Puis, étendez le câble à la surface de l'eau de manière aussi régulière que possible.
4. Branchez le câble flottant dans la prise sur l'alimentation électrique. Une fois la fiche insérée, faites tourner la prise vers la droite pour la verrouiller. Pour débrancher le câble, faites d'abord pivoter la prise vers la gauche pour la déverrouiller puis retirez la fiche.
5. Branchez l'alimentation électrique sur la prise protégée RCD et allumez l'appareil. Le ROBOT est prêt à fonctionner alors conformément aux processus définis pour le cycle de nettoyage.

ATTENTION - NE PAS mettre le robot en marche hors de l'eau. Cela peut endommager la pompe et les joints du moteur d'entraînement ce qui ANNULE la garantie.

6. Sélectionner le cycle de nettoyage et démarrer :
 - a. Pour mettre l'alimentation électrique sur ON, appuyez sur le bouton marche une fois et relâchez-le.
 - b. Pour mettre l'alimentation électrique sur OFF, appuyez sur le bouton marche et relâchez-le. Le voyant s'ÉTEINT.
 - c. L'alimentation électrique a 2 réglages. Chacun d'entre eux est déterminé par la taille de la piscine et son degré de propreté ainsi que par la durée désirée du cycle de nettoyage.
 - d. Vous avez le choix entre les options CYCLE I et CYCLE II. Appuyez sur le bouton pour régler l'option désirée, par exemple CYCLE I pour une petite piscine (cycle de nettoyage de 1 heure) or CYCLE II pour une grande piscine (cycle de nettoyage de 2 heures)
 - e. Après avoir effectué les réglages, appuyez sur le bouton START pour démarrer le robot.
 - f. Si vous désirez changer de mode de cycle du robot pendant le fonctionnement, appuyez tout d'abord sur STOP puis sélectionnez le cycle désiré et appuyez à nouveau sur START après 5 secondes.
- Si un deuxième cycle de nettoyage devait être nécessaire, mettre l'alimentation électrique sur OFF pendant 5 secondes et redémarrer l'appareil.

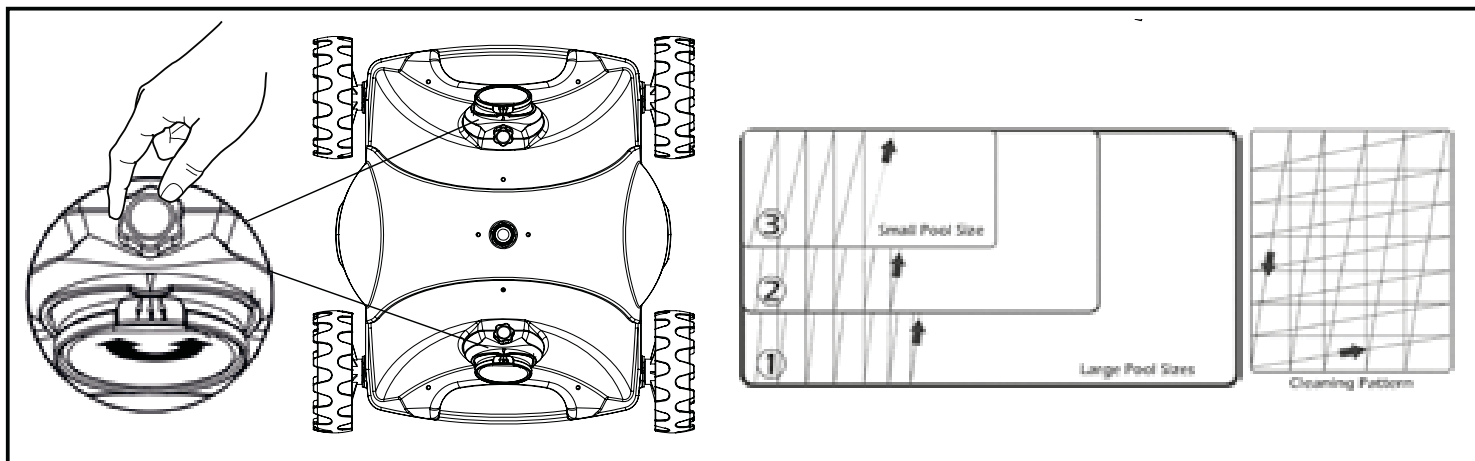
4 Robot Clean 1 Instructions d'utilisation et nomenclature des pièces



- Une fois le bassin nettoyé, mettez l'alimentation électrique sur OFF. Laissez le robot dans la piscine pendant 15 à 20 minutes après la fin du cycle de nettoyage. Cela permettra au moteur de refroidir correctement. Retirez le robot de la piscine.
- Retirez le robot de l'eau dans la partie la moins profonde de la piscine en tirant sur le câble jusqu'à ce que l'appareil atteigne la surface. Pour le sortir hors de l'eau, soulevez-le en utilisant les poignées, mais PAS le câble.



PARAMÉTRER LE MODÈLE DE NETTOYAGE POUR VOTRE PISCINE



Régler le robot en fonction de votre piscine

Le robot a deux jets chacun un angle de direction réglable pendant le fonctionnement. Si l'angle n'est pas satisfaisant, arrêtez le robot, desserrez la vis comme indiqué sur l'illustration, réglez la bonne position à la main (dimension de l'angle : $0 < 1 < 2$) ; puis, après l'ajustement, resserrez les vis.

Ci-dessus le modèle de nettoyage programmé par défaut de votre unité. Merci de bien vouloir prendre en compte que chaque différente forme de piscine nécessite un réglage différent.

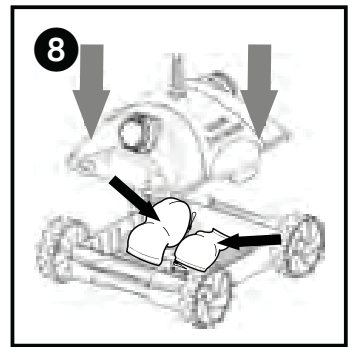
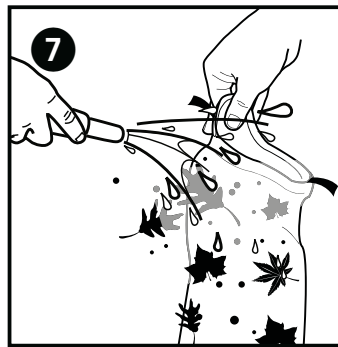
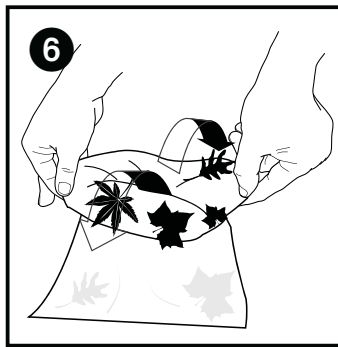
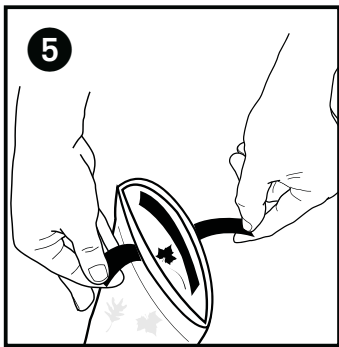
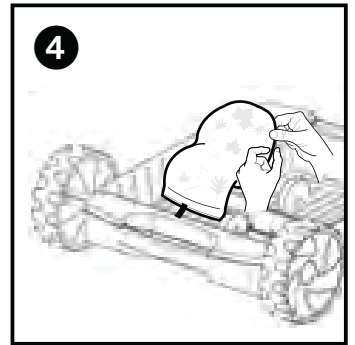
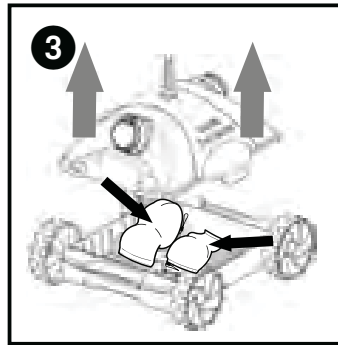
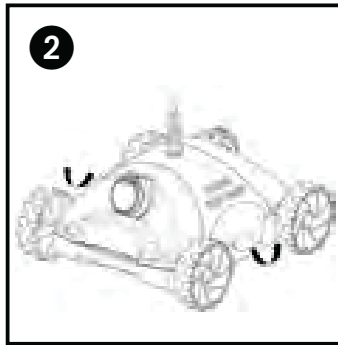
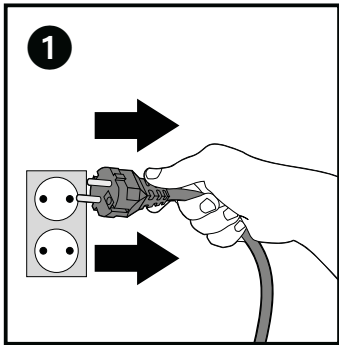
Remarque : le robot peut s'arrêter au milieu de la piscine et faire demi-tour pendant le cycle de nettoyage. C'est normal et fait partie du cycle programmé.

4 Robot Clean 1 Instructions d'utilisation et nomenclature des pièces



MAINTENANCE

Entretien du sac du filtre



NETTOYEZ LES SACS DU FILTRE APRÈS CHAQUE CYCLE

- Débranchez l'adaptateur principal de l'alimentation électrique (voir ill. 1). Veillez à ce que la fiche ne soit pas mouillée.
- Placez le robot sur une surface souple et propre et retirez le couvercle en appuyant sur les boutons des deux côtés (voir ill. 2, 3)
- Enlevez les sacs du filtre de leurs fixations, retournez-les et nettoyez les salissures de l'intérieur en utilisant un tuyau d'arrosage ou dans un conteneur (voir ill. 4,5,6,7). Essorez soigneusement les sacs jusqu'à ce que l'eau soit claire. Vous pouvez également les nettoyer au lave-linge à froid **SANS UTILISER DE LESSIVE**.
- Raccrochez les sacs dans leurs fixations et remettez le couvercle en place. Appuyez sur le couvercle jusqu'à ce qu'il s'encastre dans les languettes de fermeture (voir ill. 8).



Nettoyage régulier des pièces mobiles

⚠️ ⚠️ Débranchez l'alimentation électrique de la prise avant de nettoyer les pièces mobiles.

- Examinez l'appareil pour vous assurer qu'il n'y a pas de débris ni de cheveux qui bloquent le rotor.
- Il est possible de nettoyer le rotor avec un tuyau d'arrosage.
- Retirez tous les débris qui se sont accumulés sur les roues.

Stockage

Une fois le robot nettoyeur de piscine sorti de l'eau, le rincer à l'eau claire et le stocker dans un endroit sec et abrité à une température comprise entre 4°C et 46°C.

Entretien du câble

À force d'être utilisé, le câble peut s'enrouler. Pour corriger cette déformation, étirez le câble au soleil pour éliminer les torsions du fil.

IMPORTANT : Examiner régulièrement le câble à la recherche de détériorations extérieures

4 Robot Clean 1 Instructions d'utilisation et nomenclature des pièces



DÉPANNAGE

MERCI DE CONTRÔLER LES POINTS SUIVANTS AVANT DE CONTACTER VOTRE SERVICE APRÈS-VENTE

Avant tout dépannage, coupez l'alimentation électrique du robot de piscine et débranchez la fiche de la prise électrique pour éviter toute détérioration de l'unité ainsi que d'éventuelles blessures.

A. L'unité ne pompe pas d'eau et ne bouge pas :

1. Vérifiez que la prise électrique est alimentée.
2. Vérifiez que le transformateur est branché sur une prise de terre et que le câble flottant est branché sur le transformateur.
3. Mettez l'alimentation électrique sur « OFF » et sur « ON » plusieurs fois de suite, Attendez 45 secondes entre « ON » et « OFF ».
4. Examinez l'appareil à la recherche de débris tels que les cheveux, les fils ou les feuilles pouvant bloquer le libre mouvement des roues.

B. L'unité se déplace mais ne pompe pas d'eau du tout ou pompe lentement :

1. Vérifiez que l'hélice n'est pas bloquée par l'accumulation de cheveux ou de débris. Retirez les vis supérieures de chaque couvercle de prise et nettoyez l'hélice. Ne serrez pas les vis trop fort quand vous remontez le couvercle.
2. Vérifiez que les sacs de filtre sont bien propres. Nettoyez-les si nécessaire.
3. Contrôlez les moteurs de la pompe. S'ils ne fonctionnent pas, envoyez-les à votre service après-vente.

C. L'unité ne bouge pas mais pompe l'eau :

1. Vérifiez que les mouvements avancer/reculer ne sont pas bloqués par des corps étrangers et que le câble d'alimentation n'est pas écrasé. Nettoyez-les si nécessaire.

D. L'unité ne ramasse pas les salissures et les débris :

1. Contrôlez les points B1 et B2 de ce manuel.
2. Examinez les clapets de drainage sur la partie inférieure de votre unité. Ils doivent bouger et passer en positions ouverte et fermée facilement. Dégagez et nettoyez les clapets de drainage si nécessaire.

E. L'unité ne semble pas parcourir l'intégralité de la piscine :

1. Il est très probable qu'un nettoyage à fond du sac de filtre soit nécessaire.
2. Vérifiez que le câble flottant est correctement étendu et n'est pas écrasé.
3. Faites fonctionner le robot dans la piscine pendant l'intégralité du cycle de nettoyage.
4. Contrôlez que le moteur fonctionne.
5. Si le problème persiste, contactez votre revendeur pour une aide spécifique supplémentaire.

F. Les débris tombent du rotor quand on le sort de la piscine

1. Cela peut être causé par un filtre engorgé. Assurez-vous qu'aucun débris de grande taille ne bloque une des deux entrées. Les gros débris doivent être enlevés de la piscine avant d'utiliser le robot.
2. Vérifiez que les clapets de drainage ne sont pas déplacés ni bloqués en position ouverte par du sable ou des feuilles. Rabattez les clapets en place après avoir nettoyé les environs.

G. L'unité couvre mal la piscine lors d'un cycle ou ne parcourt qu'une petite partie

1. Contrôlez les sacs de filtre et nettoyez-les si nécessaire.
2. Assurez-vous que l'unité n'est pas entravée par les drainages, les têtes de nettoyage du fond ou des jouets.
3. Essayez de démarrer le robot dans différentes parties de la piscine pour trouver le modèle de nettoyage optimal.



GARANTIE

Ce robot nettoyeur de piscine a été fabriqué, testé et inspecté avec soin conformément aux exigences spécifiques de l'ingénierie et des réglementations actuelles.

Ubbink® vous garantit que votre robot nettoyeur de piscine utilisé et exploité normalement ne présente pas de défaut de fabrication ni de matériel dans les limites des conditions et des restrictions indiquées ci-dessous. Cette garantie est valable pour l'utilisateur final (le consommateur qui a acheté l'appareil) uniquement.

DURÉE DE LA GARANTIE : 2 ans pour les pièces principales, par exemple les moteurs, le câble électrique et l'alimentation électrique (transformateur). Une fois la période de garantie arrivée à expiration, Ubbink® n'aura aucune autre obligation liée à cette garantie limitée dans le temps.

PARTIES NON COUVERTES PAR LA GARANTIE : Le sac de filtre, les brosses, les composants en plastique et les roues doivent être remplacés dans le cadre d'une utilisation ordinaire à la suite d'une usure normale. Ils ne sont donc pas couverts par la garantie.

MAINTENANCE : Cet appareil requiert une maintenance conformément aux instructions d'utilisation jointes. Si elle est négligée, la garantie est alors annulée.

UTILISATION NON CONFORME : Cette garantie couvre une utilisation normale dans une piscine résidentielle UNIQUEMENT. Les dommages, les défauts, les dysfonctionnements ou tout autre emploi qui ne sont pas conformes aux instructions d'utilisation ou qui résultent d'un cas de force majeure, d'une négligence, d'un abus ou d'un usage inapproprié en sont exclus. Les dommages et les défaillances engendrées par une réparation qui n'a pas été effectuée par un service après-vente concessionnaire habilité d'Ubbink® ne sont pas non plus couverts.

LES OBLIGATIONS DE GARANTIE d'Ubbink® sont limitées à la réparation ou au remplacement du produit par des pièces neuves ou remises en état et la société ne saurait en aucun cas être tenue responsable des dommages ni des blessures ni des dégâts matériels ni des manques à gagner ou autres pertes de fonds de toute sorte consécutifs ou liés à l'utilisation du produit quelles qu'en soient les circonstances et l'ampleur des conséquences. Ubbink® ne garantit aucune aptitude commerciale, ni adaptation à un objectif spécifique ni aucune représentation autre que celles indiquées dans la présente ni explicite ni implicite et aucune personne, société ni corporation n'est en droit de faire de représentation ni d'engager des obligations quelles qu'elles soient au nom d'Ubbink® sauf indiqué dans la présente.

Pour AVOIR RECOURS AU SERVICE DE GARANTIE, appelez tout d'abord l'agent. Quand il vous aura donné son autorisation, retournez le robot à l'adresse indiquée emballé correctement, frais de port prépayés. Joignez une copie de votre facture en indiquant la date de l'achat, le numéro de série et une description du problème.

MERCI DE CONSERVER LA BOÎTE D'EMBALLAGE AFIN DE POUVOIR RENVoyer LE ROBOT SI NÉCESSAIRE



Élimination correcte de ce produit

Au sein de l'UE, ce symbole indique qu'il est interdit de jeter ce produit dans les ordures ménagères. Les appareils usagés contiennent des matériaux recyclables et doivent être déposés dans un point de collecte afin d'éviter une élimination incontrôlée des déchets qui nuit à l'environnement et à la santé humaine. Veuillez-vous débarrasser de vos appareils usagés par le biais de systèmes de collecte adaptés ou en renvoyant votre appareil au magasin où vous l'avez acheté. Celui-ci se chargera alors de faire recycler l'appareil.

5 Robot Clean 1 Instrucciones de uso y lista de piezas



Estimado cliente:

Gracias por elegir nuestro producto para limpiar su piscina. Esperamos que disfrute usando su nuevo robot para mantener su piscina durante muchos años. Antes de usar su robot por primera vez emplee algunos minutos en leer atentamente las instrucciones de uso. Gracias de nuevo por elegir nuestro producto.

⚠️ ⚠️ NO ENTRE EN LA PISCINA MIENTRAS EL LIMPIADOR ESTÉ EN FUNCIONAMIENTO

Lista de piezas

Nº de ref.	Descripción	Nº de ref.	Descripción
1	Cable de alimentación flotante	15	Pieza de ensamblaje de rueda anti choque
2	Punto de fijación del cable de alimentación	16	Cepillo de repuesto
3	Pieza de ensamblaje universal de drenaje	17	Base de la carcasa principal
4	Cubierta superior	18	Bolsa de filtración
5	Junta estanca	19	Caja de control
6	Pinza de agarre	20	Toma del cable de alimentación
7	Pieza de ensamblaje para el montaje del motor	21	Interruptor de ON/OFF (encendido/apagado)
8	Cubierta de filtración del motor	22	Cable de alimentación con enchufe
9	Pieza de ensamblaje de soporte de bolsa de filtración	23	Placa de circuito impreso
10	Pieza de ensamblaje del eje de rueda	24	Inversor de potencia
11	Rueda con recubrimiento	25	Placa de aluminio
12	Motor	26	Tornillo ST4.2*8-F-H
13	Impulsor	27	Tarjeta del controlador
14	Tornillo ST3.9*11.6-C-H		



IMPORTANTES INSTRUCCIONES DE SEGURIDAD

- Antes de instalar este producto lea atentamente todas las instrucciones de seguridad y consérvelas para consultas posteriores. Observe todas las advertencias e instrucciones indicadas en la fuente de alimentación y en el limpiador. El incumplimiento de las advertencias y de las instrucciones de seguridad puede provocar lesiones graves o daños materiales.
- La unidad debe ser alimentada a través de un dispositivo de corriente residual (RCD) con una intensidad de corriente residual de respuesta que no exceda de 30 mA. La conexión al circuito de derivación debería ajustarse a las normativas de cableado locales y nacionales y debe ser realizada por un electricista cualificado.
- La caja de alimentación del limpiador debe estar alejada al menos 3,5 metros de la piscina.
- La caja de alimentación de la unidad debe fijarse de forma segura al suelo o a la pared. No ponga nunca la unidad en funcionamiento sin fijar previamente la caja de alimentación.
- Mantenga la fuente de alimentación protegida de fuertes lluvias o alejada de charcos de agua.
- No enchufe la fuente de alimentación a una toma de corriente conectada a tierra o no encienda el limpiador de piscinas si no está completamente sumergido en el agua. El funcionamiento del limpiador fuera del agua causaría daños graves y tendría como consecuencia la pérdida de la garantía.
- Esta unidad es apropiada para la limpieza del agua a temperaturas de entre un mínimo de 5°C y un máximo de 45°C. Sin embargo, la temperatura del agua de la piscina óptima recomendada es de entre 22°C y 32°C.
- Deje que el limpiador permanezca dentro de la piscina durante 15 a 20 minutos después de finalizado su ciclo de limpieza. Esto permitirá que los motores se enfríen de forma apropiada. No deje el limpiador todo el tiempo dentro de la piscina.
- Corte siempre el suministro eléctrico y desconéctelo de la toma de corriente antes de retirar el limpiador de la piscina.
- El limpiador no debe ser usado mientras se encuentre alguna persona dentro del agua.
- La unidad ha sido diseñada para su uso exclusivo en piscinas.
- Un mal manejo de la unidad puede provocar un escape de lubricantes.
- La unidad del motor estanca y la fuente de alimentación (transformador) no contienen piezas que el usuario pueda reparar. La apertura de estas ANULARÁ automáticamente su garantía.
- Si el cable de alimentación está dañado, este debe ser sustituido por el agente de servicio técnico del fabricante o por una persona cualificada e instruida para evitar cualquier riesgo.
- La unidad debe usarse únicamente con la fuente de alimentación proporcionada con el limpiador.
- Esta unidad puede ser usada por niños de 8 años o más y por personas con capacidades físicas, sensoriales o mentales reducidas o con falta de experiencia y conocimiento si son supervisadas o han sido instruidas respecto al uso del aparato de manera segura y comprenden los peligros que entraña. Los niños no deben jugar con el aparato. La limpieza y el mantenimiento del usuario no deben ser realizados por niños sin supervisión.
- Mantenga las piezas pequeñas y el material de embalaje fuera del alcance de los niños. ¡Existe el riesgo de asfixia!

5 Robot Clean 1 Instrucciones de uso y lista de piezas



INSTRUCCIONES GENERALES DE SERVICIO

⚠ NO ENTRE EN LA PISCINA MIENTRAS EL LIMPIADOR ESTÉ EN FUNCIONAMIENTO

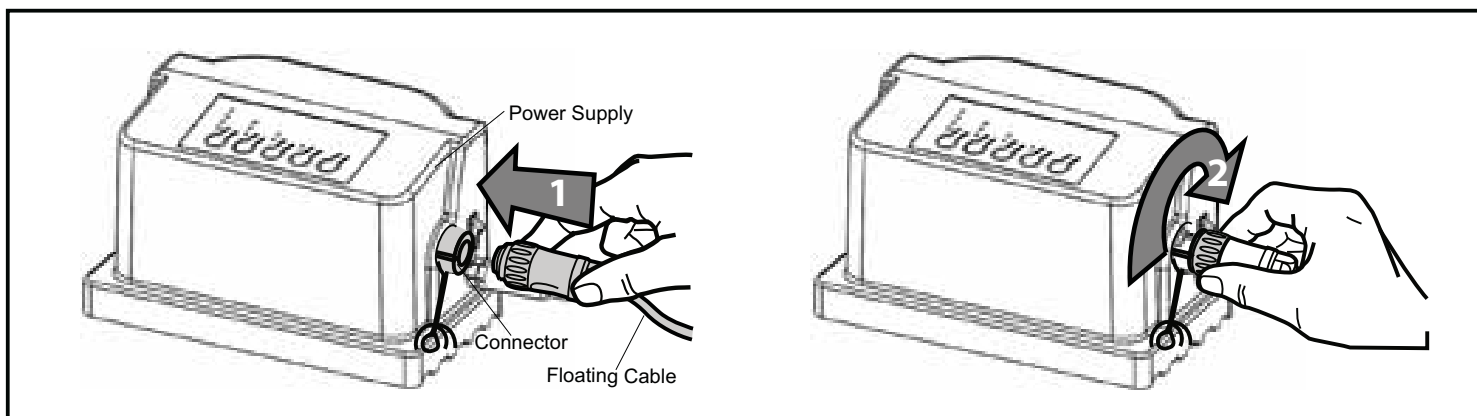
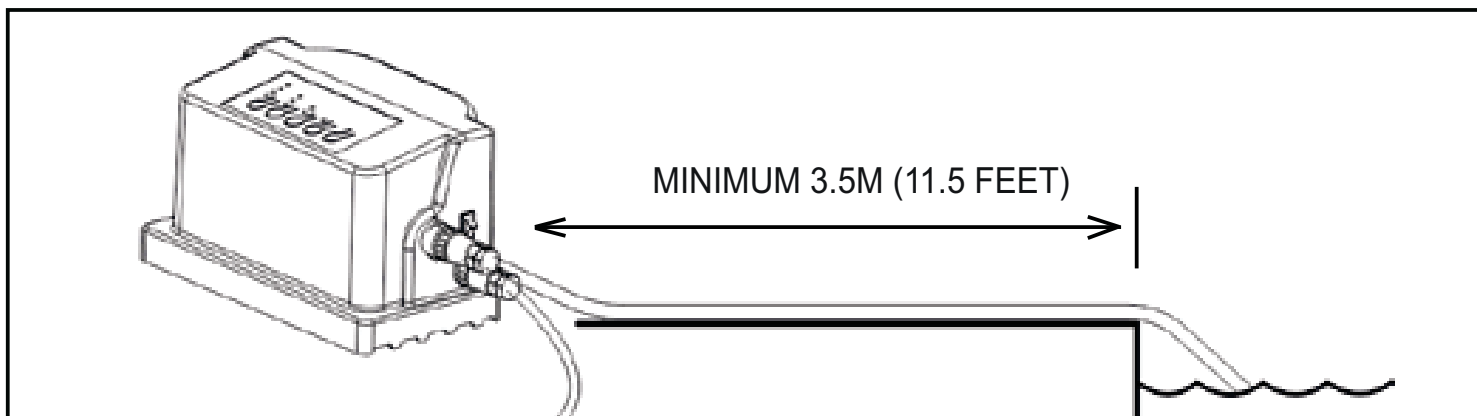
⚠ NO ENCIENDA EL LIMPIADOR SI NO ESTÁ SUMERGIDO EN EL AGUA

ATENCIÓN: Antes de usar su limpiador y especialmente cuando vaya a usar las piscina por primera vez, retire los objetos más grandes de la piscina que puedan reducir el rendimiento del limpiador.

ATENCIÓN: Retire el limpiador de la piscina después de cada uso. Manteniendo el limpiador de forma permanente en la piscina puede tener como consecuencia el requerimiento de servicios adicionales.

Su nuevo limpiador de piscinas automático contiene:

- Limpiador de piscinas robotizado y cable flotante.
- Fuente de alimentación (transformador)

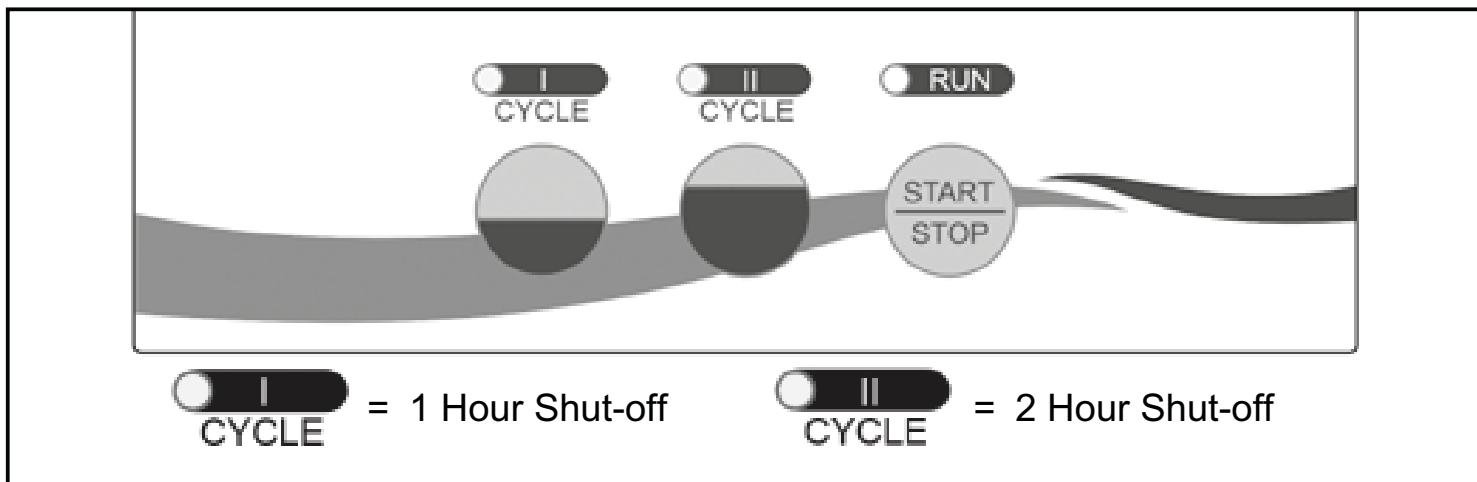


1. Sitúe la caja de alimentación alejada al menos 3.5 metros de la piscina y al menos 12 cm sobre la superficie. El transformador suministrará corriente de baja tensión al limpiador.
2. Desenrolle el cable flotante y fije la posición de la bola flotante en una posición de acuerdo con la profundidad de la piscina. Use las dos pinzas blancas acopladas al cable flotante para fijar la posición de la bola flotante.
3. Sitúe la unidad del limpiador en el agua. Gire la unidad hacia todos los lados dentro del agua para permitir que el aire pueda escapar de la carcasa y a continuación deje que el limpiador descienda hasta el fondo de la piscina. Después extienda el cable por encima de la superficie de la piscina lo más uniformemente posible.
4. Enchufe el cable flotante en la toma de la fuente de alimentación. Una vez introducido el enchufe, gírelo convenientemente hacia la derecha para bloquearlo. Para retirar el enchufe, gírelo convenientemente hacia la izquierda para desbloquearlo y sáquelo a continuación.
5. Conecte la fuente de alimentación a la toma protegida con el RCD y enciéndala. El LIMPIADOR funcionará de acuerdo con los procedimientos establecidos para ejecutar el ciclo de limpieza.

PRECAUCIÓN – NO encienda el limpiador si se encuentra fuera del agua. Esto puede provocar daños en la bomba y en las juntas del motor de impulsión, lo que ANULARÍA la garantía.

6. Seleccione el ciclo de limpieza y comience:
 - a. Para encender la fuente de alimentación, presione y suelte el botón de encendido/apagado una vez.
 - b. Para apagar la fuente de alimentación, presione y suelte el botón de encendido/apagado. La luz se apagará.
 - c. La fuente de alimentación tiene 2 configuraciones. Cada configuración es determinada por el tamaño y la limpieza de la piscina, así como durante cuánto tiempo desea ejecutar el ciclo de lavado.
 - d. Tiene la opción del CICLO I y del CICLO II. Presione el botón para establecer la configuración correcta, por ejemplo CICLO I para una piscina pequeña (ciclo de limpieza de 1 hora) o CICLO II para una piscina grande (ciclo de limpieza de 2 horas).
 - e. Después de establecer la configuración, presione el botón START para poner en marcha el limpiador.
 - f. Si deseara cambiar el modo de ciclo durante el funcionamiento del limpiador, presione en primer lugar STOP, a continuación seleccione el modo de ciclo que necesita, y después de 5 segundos vuelva a presionar START.
- Si fuera necesario un segundo ciclo de limpieza, apague la fuente de alimentación durante 5 segundos y reiniciela.

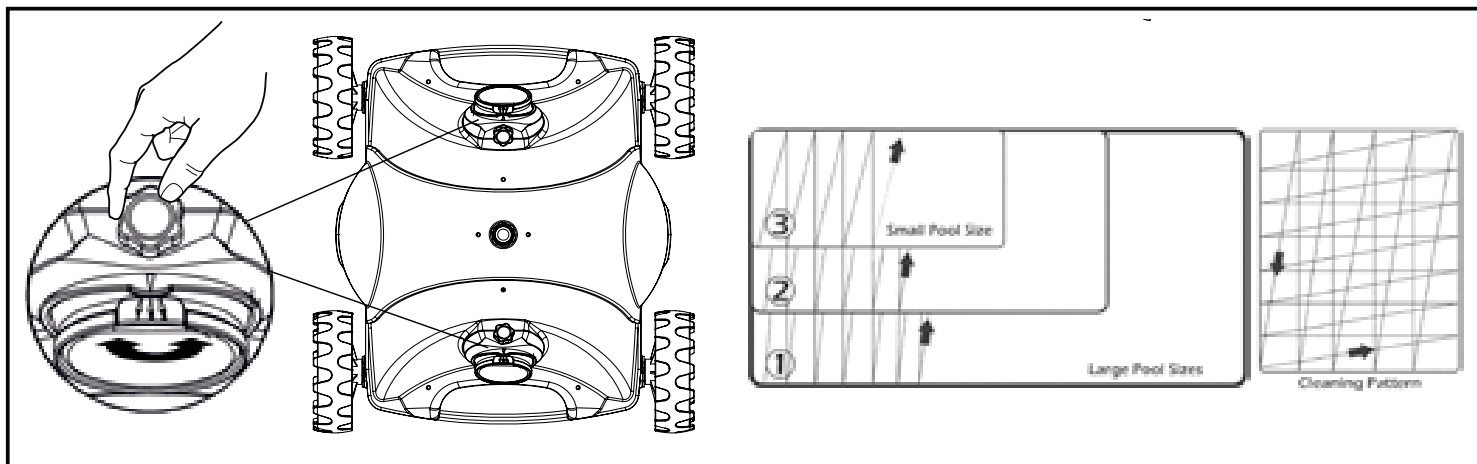
5 Robot Clean 1 Instrucciones de uso y lista de piezas



- Una vez limpiada la piscina, apague la fuente de alimentación y deje el limpiador robotizado en la piscina durante 15-20 minutos después del final del ciclo de limpieza. Esto permitirá que el motor se enfríe de forma apropiada. Retire el limpiador de la piscina.
- Retire el limpiador del agua en el extremo menos profundo de la piscina tirando del cable hasta que el limpiador alcance la superficie del agua. A continuación levántelo para sacarlo del agua usando el asa, NO el cable.



CONFIGURACIÓN LA MODALIDAD DE LIMPIEZA



Ajuste del limpiador a su piscina

El limpiador tiene dos bocas de salida y el ángulo de la dirección de cada boca es ajustable durante el funcionamiento. Si el ángulo no es el correcto, detenga el limpiador, desenrosque el tornillo tal como se muestra en la figura, ajuste la boca en una posición apropiada (medida del ángulo: $0 < 1 < 2$); después de realizar el ajuste, apriete los tornillos.

Arriba la modalidad de limpieza del limpiador programado por defecto. Por favor, tenga en cuenta que cada forma de piscina diferente requiere una configuración diferente.

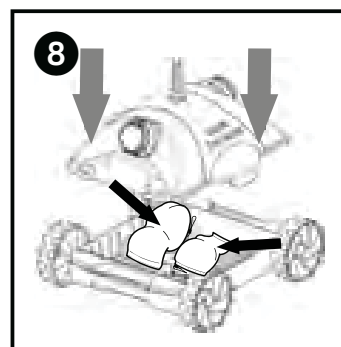
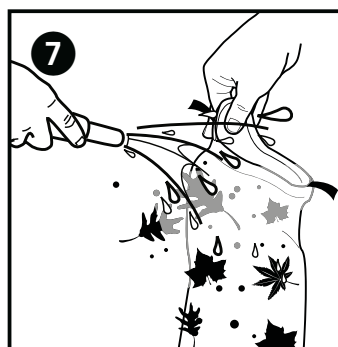
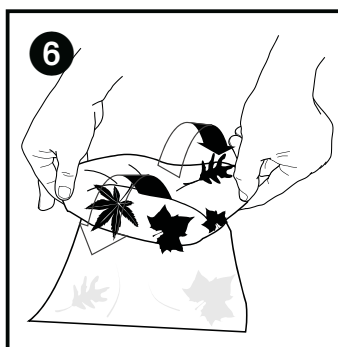
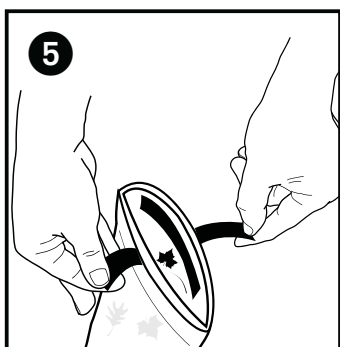
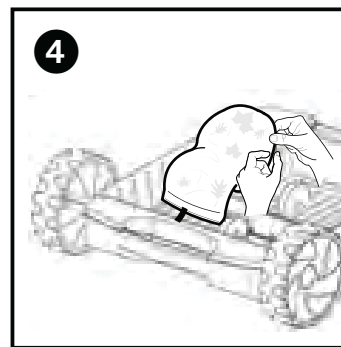
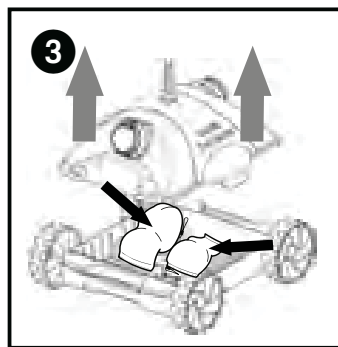
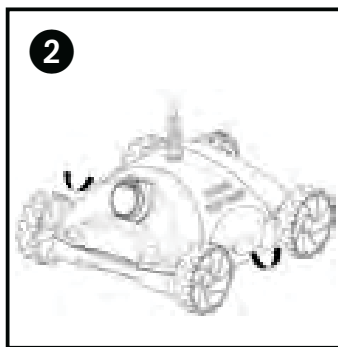
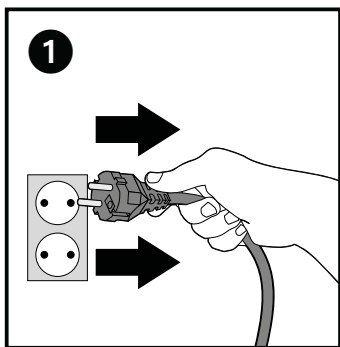
Nota: El limpiador puede detenerse en el centro de la piscina y dar marcha atrás durante el ciclo de limpieza. Esto es una parte normal del ciclo programado.

5 Robot Clean 1 Instrucciones de uso y lista de piezas



MANTENIMIENTO

Mantenimiento de la bolsa de filtración



LIMPIE LAS BOLSAS DE FILTRACIÓN DESPUÉS DE CADA CICLO DE LIMPIEZA

- Desconecte el adaptador principal de la fuente de alimentación (ver fig. 1). Asegúrese de que no se moje el enchufe.
- Coloque el limpiador sobre una superficie suave y limpia y retire la cubierta superior presionando los botones a ambos lados (ver figs. 2, 3).
- Retire las bolsas de filtración de los dispositivos de sujeción, vuelva las bolsas del revés, lave toda la suciedad usando una manguera de jardín o échela en un contenedor (ver figs. 4,5,6,7). Estruja las bolsas con cuidado hasta que el agua corra limpia. También puede lavar las bolsas en la lavadora en frío SIN DETERGENTE.
- Vuelva a fijar las bolsas a los dispositivos de sujeción y fije de nuevo la cubierta superior de la carcasa. Apriete la cubierta hacia abajo hasta que encajen las pestañas de bloqueo (ver fig. 8).



Limpieza periódica de piezas móviles

⚠️ ⚠️ Desconecte la fuente de alimentación de la toma eléctrica antes de limpiar las piezas móviles.

- Inspeccione la operación para asegurarse de que ningún residuo o pelos hayan obstruido el impulsor.
- El impulsor puede limpiarse mediante rociado con una manguera de jardín.
- Retire cualquier residuo acumulado en las ruedas.

Almacenaje

Una vez fuera del agua, enjuague el limpiador con agua limpia y guárdelo en un lugar seco y sombreado a temperaturas de entre 4°C y 46°C.

Cuidado del cable

Con un uso continuado el cable puede enrollarse. Para corregir esto, estirar el cable periódicamente al sol debería eliminar cualquier torsión del cable.

IMPORTANTE: Debería revisarse periódicamente la posible existencia de daños externos en el cable

5 Robot Clean 1 Instrucciones de uso y lista de piezas



BÚSQUEDA Y SOLUCIÓN DE PROBLEMAS

REALICE POR FAVOR LAS SIGUIENTES COMPROBACIONES ANTES DE LLAMAR A SU CENTRO DE SERVICIO

Antes de la búsqueda y solución de problemas debe desconectarse el limpiador de piscinas de la fuente de alimentación y la fuente de alimentación debe ser desenchufada de la toma eléctrica para prevenir daños en la unidad y posibles lesiones en personas.

A. La unidad no bombea agua ni se mueve:

1. Compruebe si la toma eléctrica tiene corriente.
2. Compruebe si el transformador está enchufado en una toma de corriente conectada a tierra y el cable flotante está enchufado al transformador.
3. Apague y encienda la fuente de alimentación varias veces. Espere 45 segundos entre el encendido y el apagado.
4. Compruebe la existencia de residuos, como pelos, una cuerda u hojas que pudieran estar obstruyendo el libre movimiento de las ruedas y elimínelos.

B. La unidad se mueve pero no bombea agua en absoluto, o bombea con lentitud:

1. Compruebe si la hélice está atascada debido a la acumulación de pelo o residuos sobre las hélices. Retire los tornillos superiores en cada boca de salida superior y limpie la hélice. Al volver a montar la cubierta superior no apriete demasiado los tornillos.
2. Compruebe si las bolsas de filtración están completamente limpias. Límpielas si fuera necesario.
3. Compruebe los motores de la bomba. Si no funcionan envíe la unidad a su centro de servicio.

C. La unidad no se mueve pero bombea agua:

1. Compruebe si el movimiento hacia delante/atrás está obstruido por algún cuerpo extraño o si se ha enredado el cable de alimentación. Límpielo si fuera necesario.

D. La unidad no recoge suciedad ni residuos:

1. Compruebe B1 y B2 de este manual.
2. Compruebe las solapas de drenaje en la parte inferior de su unidad. Las solapas deberían moverse libremente abriéndose y cerrándose. Limpie o libere las solapas de drenaje si fuera necesario.

E. La unidad no parece cubrir toda la piscina:

1. Lo más probable es que sea necesaria una limpieza a fondo de la bolsa filtrante.
2. Compruebe que el cable flotante esté extendido correctamente y desenredado.
3. Deje funcionar la unidad en la piscina durante todo el ciclo de limpieza.
4. Compruebe que el motor funciona.
5. Si continúa existiendo un problema llame a su distribuidor para solicitar ayuda específica adicional.

F. Cae un residuo del limpiador al retirarlo de la piscina

1. Puede ser causado por una sobrecarga del filtro. Asegúrese de que no haya grandes residuos bloqueando ninguna de las dos bocas de entrada. Los residuos grandes deben ser retirados de la piscina antes de usar el limpiador.
2. Compruebe si las solapas de drenaje están fuera de su sitio o atascadas por arena o por hojas en la posición abierta. Vuelva a echar las solapas hacia atrás colocándolas en su sitio después de limpiar el área.

G. La unidad tiene una deficiente cobertura de la piscina en un ciclo o solamente cubre un área pequeña

1. Compruebe las bolsas de filtrado y límpielas si fuera necesario.
2. Asegúrese de que la unidad no quede atrapada en drenajes, cabezales de limpieza del fondo o juguetes.
3. Intente arrancar el limpiador en diferentes áreas de la piscina para encontrar las óptimas modalidades de limpieza.



2 GARANTÍA

Este limpiador de piscinas robotizado ha sido fabricado, probado e inspeccionado cuidadosamente conforme a la ingeniería específica y a los vigentes requisitos de la reglamentación. Ubbink® garantiza que su limpiador robotizado está libre de defectos de fabricación y de los materiales bajo uso y funcionamiento normal y con arreglo a las condiciones y limitaciones descritas a continuación. Esta garantía cubre solamente al usuario final (el consumidor que adquiere la máquina).

DURACIÓN DE LA GARANTÍA: 2 años para los componentes principales, por ejemplo el motor, el cable eléctrico y la fuente de alimentación (transformador). A la conclusión del período de garantía, Ubbink® no tendrá ninguna otra obligación en relación con esta garantía limitada.

PIEZAS NO CUBIERTAS POR LA GARANTÍA: Las bolsas de filtración, los cepillos, los componentes de plástico y las ruedas necesitan ser sustituidos en el transcurso ordinario de su uso debido al desgaste normal. Por eso estas no están cubiertas por la garantía.

MANTENIMIENTO: Esta máquina requiere mantenimiento conforme a las instrucciones de servicio adjuntas. En caso de inobservancia de estas se anulará la garantía.

USO INDEBIDO: La garantía cubre SOLAMENTE el uso normal para una piscina residencial. Daños, defectos, mal funcionamientos por cualquier uso que no cumpla las instrucciones de servicio o que por otra parte resulten de casos de fuerza mayor, negligencia, abuso o uso inapropiado están excluidos. No estarán cubiertos los daños o cualquier fallo causado por la reparación que hubiera sido realizada por cualquier otro que no sea un representante de un servicio autorizado de Ubbink®.

LAS OBLIGACIONES DE GARANTÍA de Ubbink® se limitarán a reparar o reemplazar en el producto piezas nuevas o renovadas y no será responsable en ningún caso y de ninguna cantidad por daños consecuentes o fortuitos, o lesiones o daños a personas o bienes en el uso relacionado con el producto, o de la pérdida de ganancias o de cualquier otro costes o gasto de ningún tipo. No existen garantías de comerciabilidad, de adecuación a fines particulares u otras o representaciones de Ubbink® diferentes a las aquí especificadas, ya sea de forma explícita o implícita y ninguna persona, empresa o corporación está autorizada a asumir ninguna representación o contraer ninguna obligación en nombre o por cuenta de Ubbink® salvo que se especifique en el presente documento.

Para OBTENER EL SERVICIO DE GARANTÍA llame en primer lugar al agente. Después de recibir una autorización del agente, devuelva el robot empacutado adecuadamente con los gastos de transporte pagados previamente al lugar indicado. Adjunte una copia de la factura incluyendo la fecha de compra, el número de serie y la descripción del problema.

POR FAVOR, CONSERVE SU CAJA PARA FACILITAR LA DEVOLUCIÓN DEL ROBOT SI FUERA NECESARIO



Eliminación correcta de este producto

Dentro de la UE este símbolo indica que este producto no debe eliminarse a través de la basura doméstica. Los residuos de aparatos eléctricos contienen valiosos materiales reciclables que deberían ser reutilizados para no producir daños al medio ambiente o a la salud humana mediante una eliminación de residuos descontrolada. Por favor, elimine por eso los residuos de aparatos eléctricos a través de sistemas de recogida apropiados o envíe el aparato para su eliminación al lugar en el que lo compró. En este el aparato será destinado a un proceso de reciclaje.

7 Robot Clean 1 Istruzioni per l'uso e distinta componenti



Gentile cliente,

La ringraziamo per aver scelto il nostro prodotto per pulire la Sua piscina. Speriamo che utilizzerà con piacere il Suo nuovo robot per la manutenzione della Sua piscina nei prossimi anni. Prima di iniziare a usare il robot, La preghiamo di prendersi un paio di minuti per leggere attentamente le presenti istruzioni per l'uso. Grazie di nuovo per aver scelto il nostro prodotto.

 **NON ENTRARE IN PISCINA MENTRE IL PULITORE È IN FUNZIONE**

Distinta componenti

N. rif.	Descrizione	N. rif.	Descrizione
1	Cavo di alimentazione galleggiante	15	Gruppo ruota antiurto
2	Raccordo di fissaggio cavo di alimentazione	16	Spazzola di ricambio
3	Gruppo di scarico universale	17	Base corpo principale
4	Copertura superiore	18	Sacchetto filtrante
5	Raccordo impermeabile all'acqua	19	Scatola di comando
6	Clip di fissaggio	20	Presa cavo di alimentazione
7	Gruppo di montaggio motore	21	Interruttore ON/OFF
8	Copertura filtraggio motore	22	Cavo di alimentazione con con-nettore
9	Gruppo di supporto sacchetti filtranti	23	Scheda PCB
10	Gruppo assale ruota	24	Inverter
11	Ruota con rivestimento	25	Pannello di alluminio
12	Motore	26	Vite ST4.2*8-F-H
13	Girante	27	Scheda driver
14	Vite ST3.9*11.6-C-H		



ISTRUZIONI DI SICUREZZA IMPORTANTI

- Prima di installare questo prodotto, leggere attentamente tutte le istruzioni di sicurezza e conservarle per consultazioni successive.
- Osservare tutte le avvertenze e le istruzioni riportate sul gruppo di alimentazione elettrica e sul pulitore. L'inosservanza delle avvertenze e istruzioni di sicurezza può provocare gravi lesioni personali o danni materiali.
- L'unità deve essere alimentata tramite un dispositivo di corrente residua (RCD) che presenti una corrente di lavoro residua nominale non superiore a 30 mA. La connessione al circuito di derivazione deve essere conforme alle norme di cablaggio nazionali e locali, e deve essere effettuata da un elettricista qualificato.
- Il quadro elettrico del pulitore deve essere collocato a una distanza minima di 3,5 metri dalla piscina.
- Il quadro elettrico dell'unità deve essere fissato saldamente al pavimento o alla parete. Non utilizzare mai l'unità senza aver prima fissato il quadro elettrico.
- Tenere il gruppo di alimentazione elettrica lontano da pioggia battente o pozzanghere.
- Non collegare il gruppo di alimentazione elettrica a una presa dotata di messa a terra, né accendere il pulitore ("ON") se non è completamente immerso in acqua. Se si utilizza il pulitore al di fuori dell'acqua si provocano gravi danni e si rende nulla la garanzia.
- Questa unità è concepita per pulire l'acqua con temperature comprese tra minimo 5°C e massimo 45°C. Comunque, la temperatura ottimale consigliata per l'acqua della piscina è tra 22°C e 32°C.
- Terminato il ciclo di pulizia, lasciare il pulitore all'interno della piscina ancora per 15 – 20 minuti. In questo modo si permette ai motori di raffreddarsi adeguatamente. Non lasciare il pulitore nella piscina in modo permanente.
- Prima di rimuovere il pulitore dalla piscina, disinserire sempre il gruppo di alimentazione elettrica ("OFF") e scollegarlo dalla presa di corrente.
- Non usare il pulitore mentre si trovano persone in acqua.
- L'unità è progettata soltanto per essere impiegata nelle piscine.
- Un impiego errato dell'unità può causare la perdita dei lubrificanti.
- L'unità sigillata del motore e il gruppo di alimentazione elettrica (trasformatore) contengono all'interno componenti non riparabili dall'utente. La relativa apertura ANNULLA la garanzia.
- Nel caso in cui il cavo di alimentazione sia danneggiato, per prevenire qualsiasi pericolo è necessario farlo sostituire dal tecnico di assistenza del produttore o da una persona formata e qualificata.
- L'unità deve essere utilizzata esclusivamente insieme al gruppo di alimentazione elettrica fornito insieme al pulitore.
- Questa unità può essere utilizzata da bambini dagli 8 anni in su e da persone con limitate capacità fisiche, sensoriali o mentali, oppure senza esperienza e conoscenza, a patto che siano sorvegliati e abbiano ricevuto le necessarie istruzioni su come usare l'apparecchio in sicurezza e comprendere i rischi correlati. I bambini non devono giocare con l'apparecchio. Il lavoro di pulizia e la manutenzione non devono essere effettuati dai bambini se non sono sorvegliati.
- Tenere i componenti piccoli e il materiale di imballaggio lontani dai bambini. Pericolo di soffocamento!

7 Robot Clean 1 Istruzioni per l'uso e distinta componenti



ISTRUZIONI PER L'USO GENERALI

⚠ NON ENTRARE IN PISCINA MENTRE IL PULITORE È IN FUNZIONE

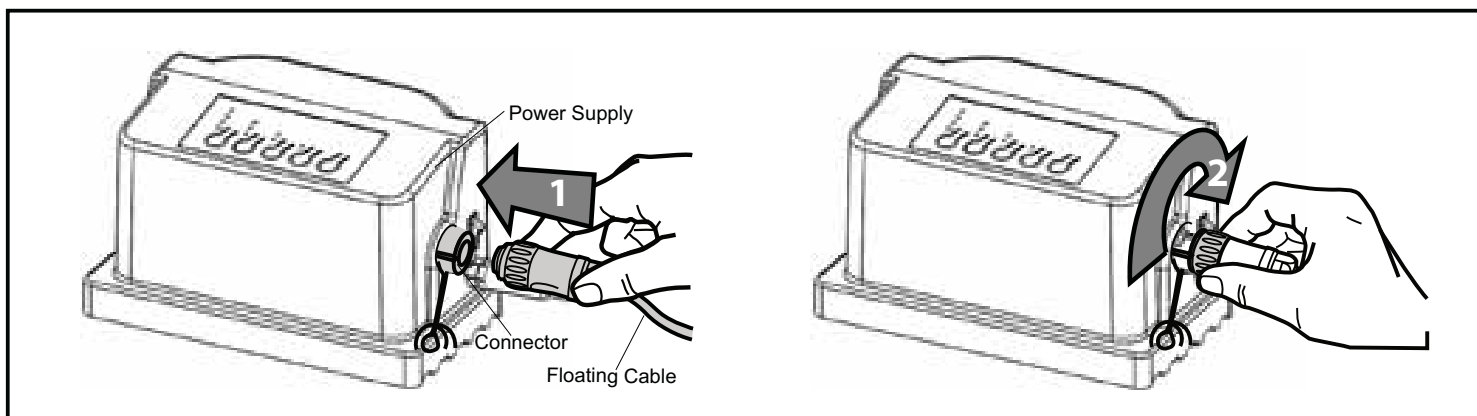
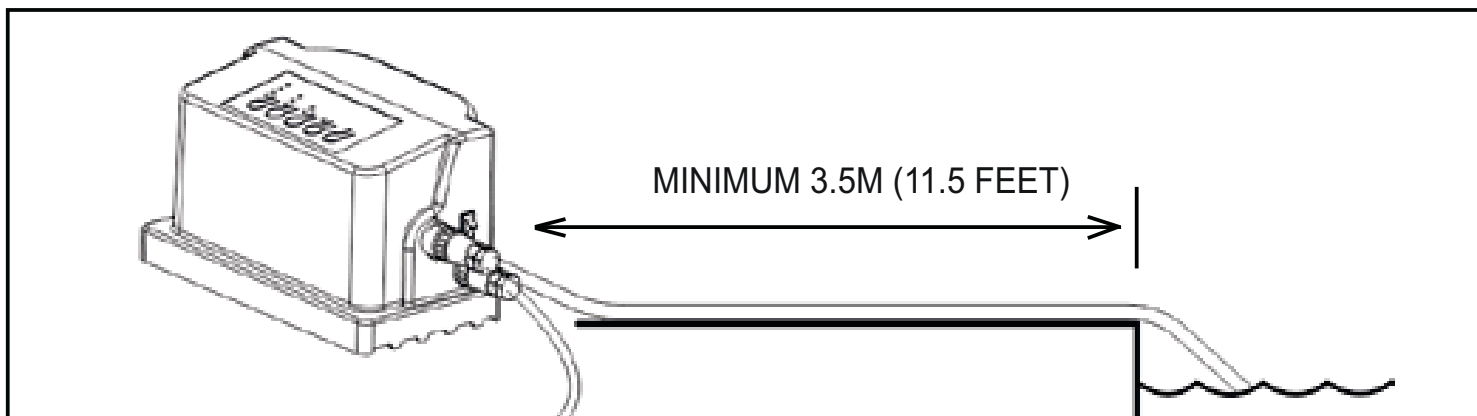
⚠ NON ACCENDERE IL PULITORE SE NON È IMMERSO IN ACQUA

ATTENZIONE: prima di utilizzare il pulitore e soprattutto in occasione della prima apertura della piscina, rimuovere dalla piscina gli oggetti di grandi dimensioni per evitare che possano ridurre le prestazioni del pulitore.

ATTENZIONE: dopo ogni utilizzo, rimuovere il pulitore dalla piscina. Altrimenti, se il pulitore viene lasciato permanentemente all'interno della piscina, possono rendersi necessari interventi di manutenzione supplementari.

Il Suo nuovo pulitore automatico per piscina comprende:

- Robot pulitore per piscina e cavo galleggiante.
- Gruppo di alimentazione elettrica (trasformatore).



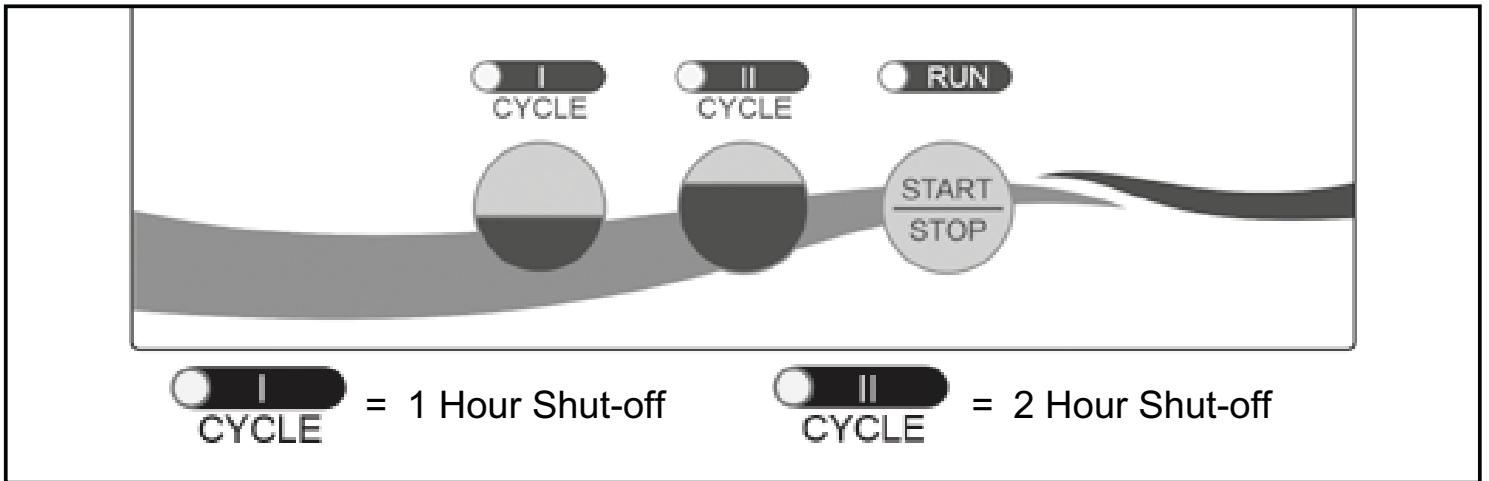
1. Posizionare il quadro elettrico a una distanza minima di 3,5 metri dalla piscina e ad almeno 12 cm dal pavimento. Il trasformatore fornisce bassa tensione al pulitore.
2. Srotolare il cavo galleggiante e fissare la sfera galleggiante in una posizione che sia adeguata alla profondità della piscina. Per fissare la sfera galleggiante in posizione, utilizzare le due clip bianche unite al cavo galleggiante.
3. Posizionare l'unità pulitore in acqua. Nell'acqua, ruotare l'unità da un lato all'altro per consentire la fuoriuscita dell'aria dal suo corpo, quindi lasciare immergere il pulitore fino a quando non raggiunge il fondo della piscina. Quindi stendere il cavo sulla superficie della piscina quanto più uniformemente possibile.
4. Collegare il cavo galleggiante alla presa del gruppo di alimentazione elettrica. Una volta inserito il connettore, ruotare il raccordo verso destra per bloccarlo in posizione. Per rimuovere il connettore, ruotare prima il raccordo verso sinistra per sbloccarlo, quindi estrarlo.
5. Collegare il gruppo di alimentazione elettrica alla presa di corrente dotata di protezione RCD e accenderlo. Il PULITORE funzionerà in base al processo impostato per il ciclo di pulizia.

AVVERTENZA – NON accendere il pulitore se si trova fuori dall'acqua. Altrimenti si possono danneggiare la pompa e le guarnizioni del motore di azionamento, rendendo NULLA la garanzia.

6. Selezionare il ciclo di pulizia e avviare:
 - a. Per accendere il gruppo di alimentazione, premere e rilasciare il pulsante di accensione una sola volta.
 - b. Per spegnere il gruppo di alimentazione, premere e rilasciare il pulsante di accensione. La luce si spegnerà.
 - c. Il gruppo di alimentazione presenta due impostazioni. Ciascuna impostazione dipende dalle dimensioni e dal livello di pulizia della piscina, come anche dalla durata che si desidera impostare per il ciclo di pulizia.
 - d. Si può scegliere tra CYCLE I e CYCLE II. Premere il pulsante per selezionare l'impostazione adatta, ad es. CYCLE I per una piscina di piccole dimensioni (durata del ciclo di pulizia 1 ora) o CYCLE II per una piscina grande (durata del ciclo di pulizia 2 ore).
 - e. Dopo aver effettuato l'impostazione, premere il pulsante START per avviare il pulitore.
 - f. Qualora si desideri cambiare il modo operativo durante il funzionamento del pulitore, premere prima STOP, quindi selezionare l'altro modo operativo e dopo 5 secondi premere di nuovo START.

Nel caso in cui sia necessario un secondo ciclo di pulizia, spegnere il gruppo di alimentazione elettrica e lasciarlo spento per 5 secondi, quindi riaccenderlo.

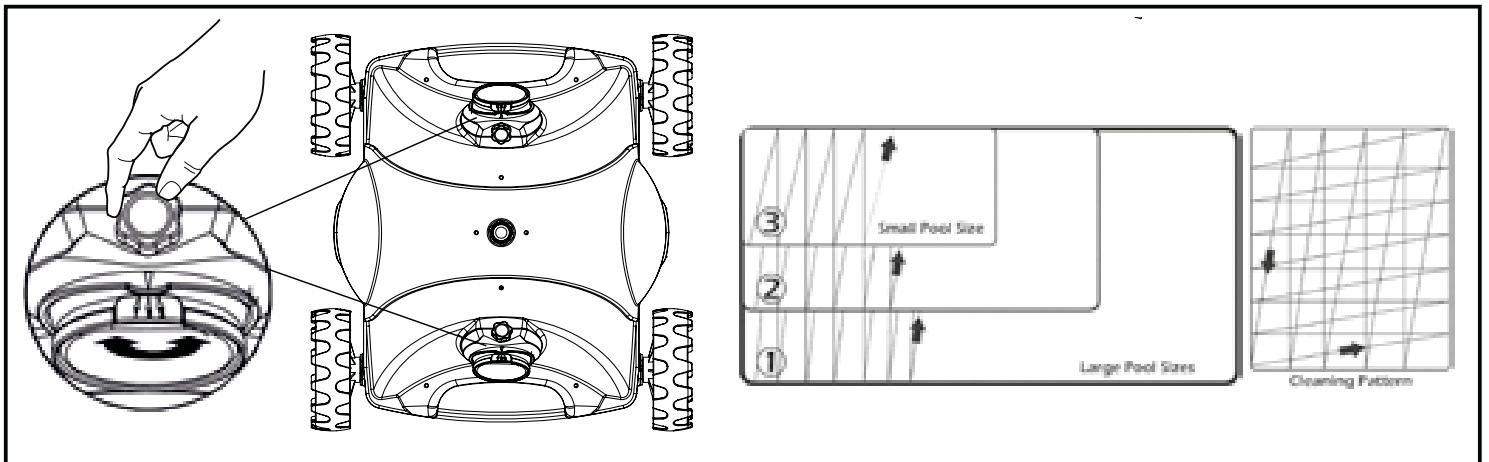
7 Robot Clean 1 Istruzioni per l'uso e distinta componenti



- Una volta pulita la piscina, spegnere il gruppo di alimentazione elettrica e lasciare il robot pulitore all'interno della piscina ancora per 15-20 minuti al termine del ciclo di pulizia. In questo modo si permette al motore di raffreddarsi adeguatamente. Rimuovere il pulitore dalla piscina.
- Rimuovere il pulitore dall'acqua bassa tirando il cavo fino a quando il pulitore non raggiunge la superficie dell'acqua. Quindi estrarlo dall'acqua tramite l'impugnatura e NON dal cavo.



IMPOSTAZIONE DEL PATTERN DI PULIZIA



Regolazione del pulitore per la piscina

Il pulitore è equipaggiato con due uscite; l'angolo di direzione di ciascuna uscita si può regolare durante il funzionamento. Se l'angolo non è soddisfacente, arrestare il pulitore, svitare le viti come illustrato in figura, regolare manualmente fino a raggiungere una posizione appropriata (grandezza angolare: $0 < 1 < 2$); terminata la regolazione, stringere le viti.

Qui è riportato il pattern di pulizia predefinito del pulitore. Si consideri che piscine dalle forme diverse richiedono un'impostazione differente.

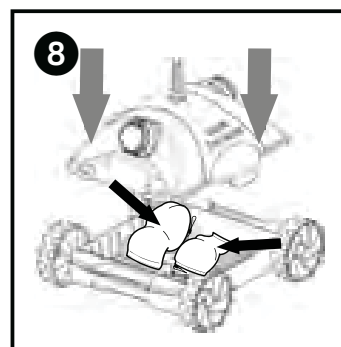
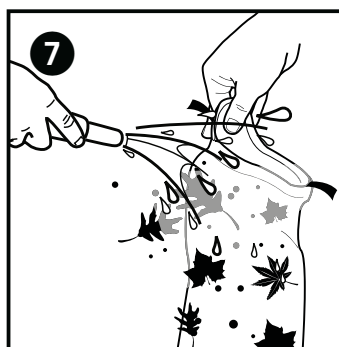
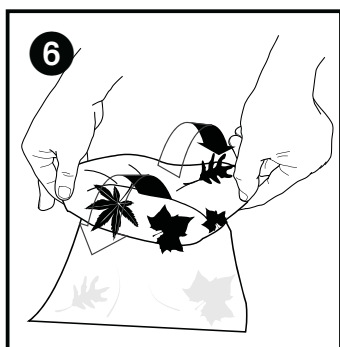
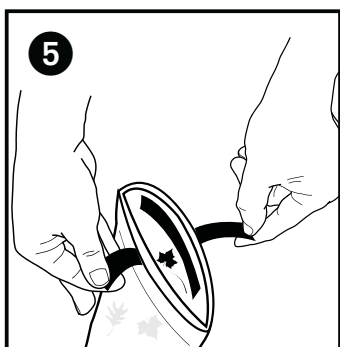
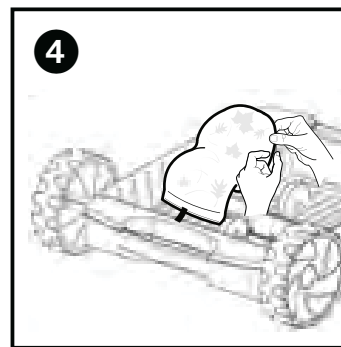
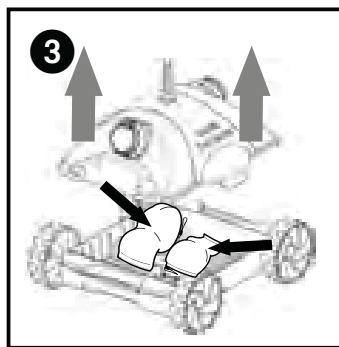
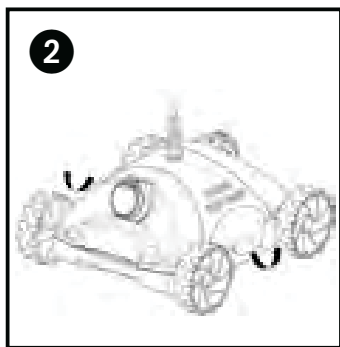
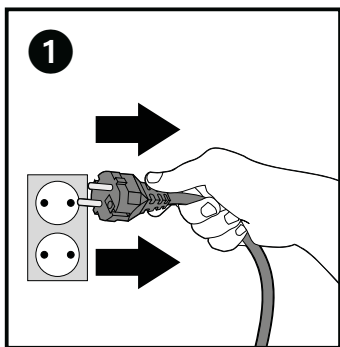
Nota: durante il ciclo di pulizia, il pulitore può fermarsi al centro della piscina e invertire il senso di marcia. Questo comportamento è normale e fa parte del ciclo programmato.

7 Robot Clean 1 Istruzioni per l'uso e distinta componenti



MANUTENZIONE

Manutenzione dei sacchetti filtranti



PULIRE I SACCHETTI FILTRANTI DOPO OGNI CICLO DI PULIZIA

- Scollegare l'adattatore di rete dall'alimentazione elettrica (vedi fig. 1). Assicurarsi che il connettore non si bagni.
- Collocare il pulitore su una superficie pulita e liscia, quindi rimuovere la copertura superiore premendo sui pulsanti di ciascun lato (vedi figg. 2, 3).
- Rimuovere i sacchetti filtranti dai relativi supporti, rovesciare i sacchetti e lavare via tutto lo sporco tramite un tubo flessibile da giardinaggio oppure all'interno di un contenitore (vedi figg. 4, 5, 6, 7). Strizzare i sacchetti delicatamente fino a quando l'acqua non diventa pulita. I sacchetti si possono lavare anche in lavatrice con acqua calda e **SENZA DETERSIVO IN POLVERE**.
- Riapplicare i sacchetti ai supporti e rimontare la copertura superiore sull'alloggiamento. Spingere la copertura verso il basso fino a quando le linguette non scattano in posizione (vedi fig. 8).



Pulizia periodica dei componenti mobili

⚠ ⚠ Prima di pulire i componenti mobili, scollegare il gruppo di alimentazione elettrica dalla presa di corrente.

- Ispezionare la girante per assicurarsi che non sia intasata da detriti o peli.
- La girante può essere lavata mediante un tubo flessibile da giardinaggio.
- Rimuovere eventuali detriti accumulatisi sulle ruote.

Stoccaggio

Fuori dall'acqua, lavare il pulitore con acqua pulita e conservarlo in un ambiente asciutto e all'ombra, con temperature tra 4°C e 46°C.

Cura del cavo

Il continuo utilizzo del cavo può farlo attorcigliare. Per evitare che si aggrovigli ulteriormente, stendere il cavo periodicamente al sole.

IMPORTANTE: il cavo deve essere esaminato periodicamente per verificare la presenza di eventuali danni esterni

7 Robot Clean 1 Istruzioni per l'uso e distinta componenti



RISOLUZIONE DEI PROBLEMI

PRIMA DI CHIAMARE IL CENTRO DI ASSISTENZA, EFFETTUARE I SEGUENTI CONTROLLI

Prima di effettuare la ricerca e l'eliminazione dei guasti, il pulitore per piscina deve essere scollegato dal gruppo di alimentazione elettrica e quest'ultimo disconnesso dalla presa di corrente onde prevenire danni all'unità ed eventuali lesioni personali.

A. L'unità non pompa acqua o non si muove:

1. Controllare se la presa di corrente è sotto tensione.
2. Controllare se il trasformatore è collegato a una presa dotata di messa a terra e se il cavo galleggiante è collegato al trasformatore.
3. Spegnerne ("OFF") e accendere ("ON") il gruppo di alimentazione elettrica per un paio di volte. Tra "ON" e "OFF", attendere 45 secondi.
4. Verificare la presenza ed eventualmente rimuovere detriti quali peli, lacci o foglie che potrebbero ostacolare il libero movimento delle ruote.

B. L'unità si muove, ma non pompa acqua per niente o pompa solo lentamente:

1. Controllare se le eliche si sono bloccate a causa dell'accumulo di peli o detriti. Rimuovere le viti superiori da ciascuna uscita di sopra e pulire le eliche. Nel riassemblare la copertura superiore, non stringere le viti eccessivamente.
2. Controllare se i sacchetti filtranti sono completamente puliti. Pulire se necessario.
3. Controllare i motori di pompaggio. Se non funzionano, inviare l'unità al centro di assistenza.

C. L'unità pompa acqua, ma non si muove:

1. Verificare se il movimento di avanzamento/inversione è ostacolato da materiale estraneo o se vi è un aggrovigliamento con il cavo di alimentazione. Pulire se necessario.

D. L'unità non raccoglie né sporczia né detriti:

1. Controllare i punti B1 e B2 su questa guida.
2. Controllare i deflettori di scarico collocati sul lato inferiore dell'unità. I deflettori devono aprirsi e chiudersi liberamente. Pulire e liberare i deflettori, se necessario.

E. L'unità sembra non coprire tutta la piscina:

1. Molto probabilmente è necessario pulire a fondo i sacchetti filtranti.
2. Verificare che il cavo galleggiante sia steso adeguatamente e che non sia aggrovigliato.
3. Far funzionare l'unità all'interno della piscina per l'intero ciclo di pulizia.
4. Verificare che il motore sia in funzione.
5. Se persiste ancora un problema, chiamare il proprio rivenditore per richiedere ulteriore assistenza specifica.

F. Il pulitore perde detriti mentre viene rimosso dalla piscina

1. La causa può essere un sovraccarico dei filtri. Assicurarsi che nessuno dei due ingressi sia bloccato da detriti di grandi dimensioni. I detriti di grandi dimensioni devono essere rimossi dalla piscina prima di utilizzare il pulitore.
2. Controllare se i deflettori di scarico sono fuori posto o bloccati da sabbia o foglie in posizione aperta. Dopo aver pulito l'area, riportare indietro i deflettori facendoli scattare in posizione.

G. In un ciclo di pulizia, la copertura della piscina da parte dell'unità è bassa o riguarda soltanto una piccola area

1. Esaminare i sacchetti filtranti e pulirli se necessario.
2. Accertarsi che l'unità non rimanga incastrata con scarichi, testine di lavaggio per pavimenti o giocattoli.
3. Provare ad avviare il pulitore in diverse aree della piscina per trovare il pattern di pulizia più adeguato.



GARANZIA

Il presente robot pulitore per piscina è stato fabbricato, testato e ispezionato attentamente, in conformità a requisiti specifici e aggiornati di progettazione e regolamentazione. Ubbink® garantisce che il robot pulitore per piscina è esente da difetti nella manifattura e nei materiali in normali condizioni d'uso e di manutenzione in base ai requisiti e alle limitazioni di cui sopra. La presente garanzia si estende soltanto all'utente finale (il consumatore che ha acquistato il dispositivo).

DURATA DELLA GARANZIA: 2 anni per i componenti principali, ad es. motori, cavo elettrico e gruppo di alimentazione elettrica (trasformatore). Al termine del periodo di garanzia, Ubbink® non si assume alcun obbligo ulteriore in combinazione con la presente garanzia limitata.

COMPONENTI NON COPERTI DA GARANZIA: in condizioni d'uso ordinario, i sacchetti filtranti, le spazzole, i componenti di plastica e le ruote devono essere sostituiti a causa della normale usura. Pertanto non sono coperti dalla garanzia.

MANUTENZIONE: questo dispositivo richiede manutenzione conformemente alle istruzioni per l'uso allegate. L'inosservanza di questa condizione rende nulla la garanzia.

USO INAPPROPRIATO: la presente garanzia copre SOLTANTO il normale utilizzo del prodotto in una piscina ad uso residenziale. Sono esclusi danni, difetti, malfunzionamenti o qualsiasi utilizzo diverso da quanto previsto dalle istruzioni per l'uso, o che altrimenti risultano da calamità naturali, negligenza, abuso o uso scorretto. La garanzia non copre danni o anomalie se provocati da interventi di riparazione effettuati da una persona che non sia un rappresentante autorizzato per l'assistenza di Ubbink®.

GLI OBBLIGHI DI GARANZIA di Ubbink® si limitano alla riparazione o sostituzione del prodotto con parti nuove o ricondizionate e, per qualsiasi situazione ed entità, non contemplano danni consequenziali o incidentali, lesioni o danni personali o materiali provocati dall'utilizzo del prodotto o in relazione allo stesso, perdita di profitto o altri costi o spese di qualsiasi tipo. Non sono contemplate garanzie sulla commerciabilità, sull'idoneità a uno scopo specifico o comunque di altro tipo, oppure concessioni di rappresentanza da parte di Ubbink® diversamente da quanto qui riportato, espresse o implicite; nessuna persona, azienda o società è autorizzata a rappresentare o esercitare obblighi a nome o per conto di Ubbink® ad eccezione di quanto qui stabilito.

Per USUFRUIRE DEL SERVIZIO DI GARANZIA, chiamare prima il rappresentante incaricato. Una volta ricevuta dal rappresentante la relativa autorizzazione, restituire il robot adeguatamente imballato indirizzandolo al luogo indicato, previo pagamento delle relative spese di trasporto. Allegare una copia della fattura contenente la data di acquisto, il numero di serie e la descrizione del problema.

SE NECESSARIO, CONSERVARE L'IMBALLO ORIGINALE PER FACILITARE LA RESTITUZIONE DEL ROBOT



Smaltimento corretto del presente prodotto

All'interno della UE questo simbolo indica che non si deve smaltire questo prodotto gettandolo tra i rifiuti domestici. Le apparecchiature usate contengono materiali pregiati completamente riciclabili che devono essere destinati al riutilizzo onde non pregiudicare l'ambiente o la salute dell'uomo con l'eliminazione incontrollata dei rifiuti. Si raccomanda pertanto di smaltire le vecchie apparecchiature usate tramite adeguati sistemi di raccolta o di inviare l'apparecchio per lo smaltimento al punto vendita dove è stato acquistato. Da qui l'apparecchio verrà consegnato ai centri di raccolta per il riciclaggio dei materiali.