



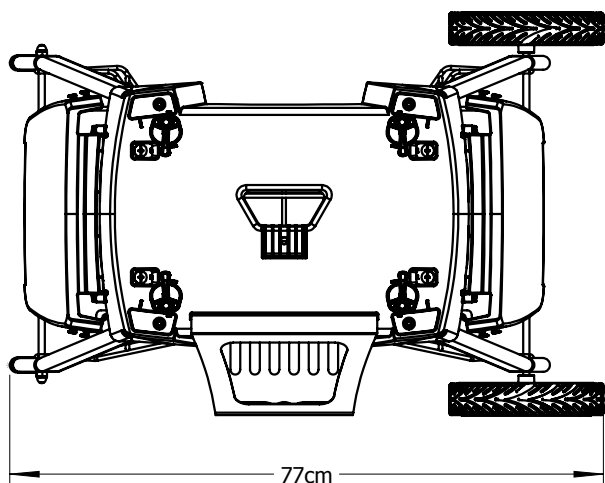
**PRO285 STAND**



**Notice to Installer: Leave these instructions with the grill owner for future reference.**

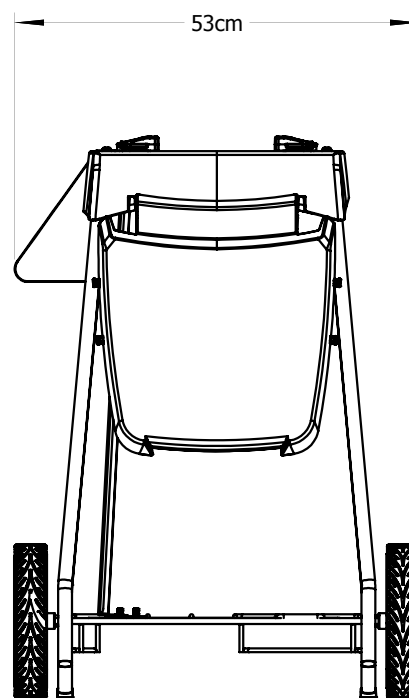
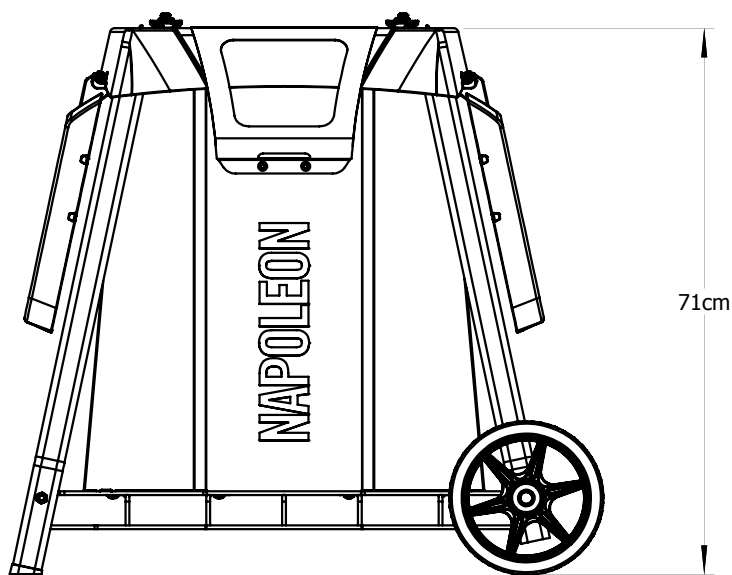
Wolf Steel Europe BV  
Poppenbouwing 29-31, 4191 NZ Geldermalsen,  
CCI No. 51509970, THE NETHERLANDS  
[info@napoleongrills.nl](mailto:info@napoleongrills.nl)

# Dimensions

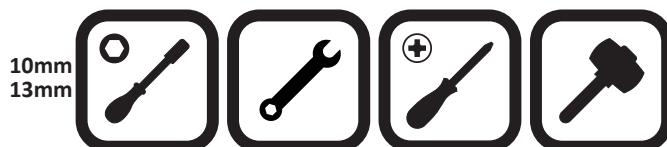


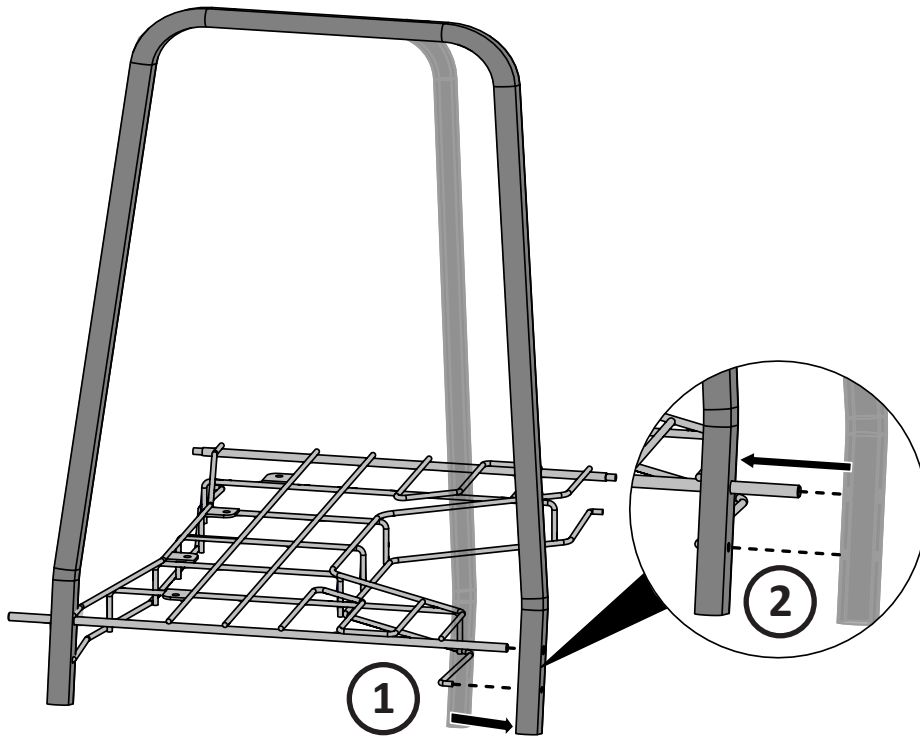
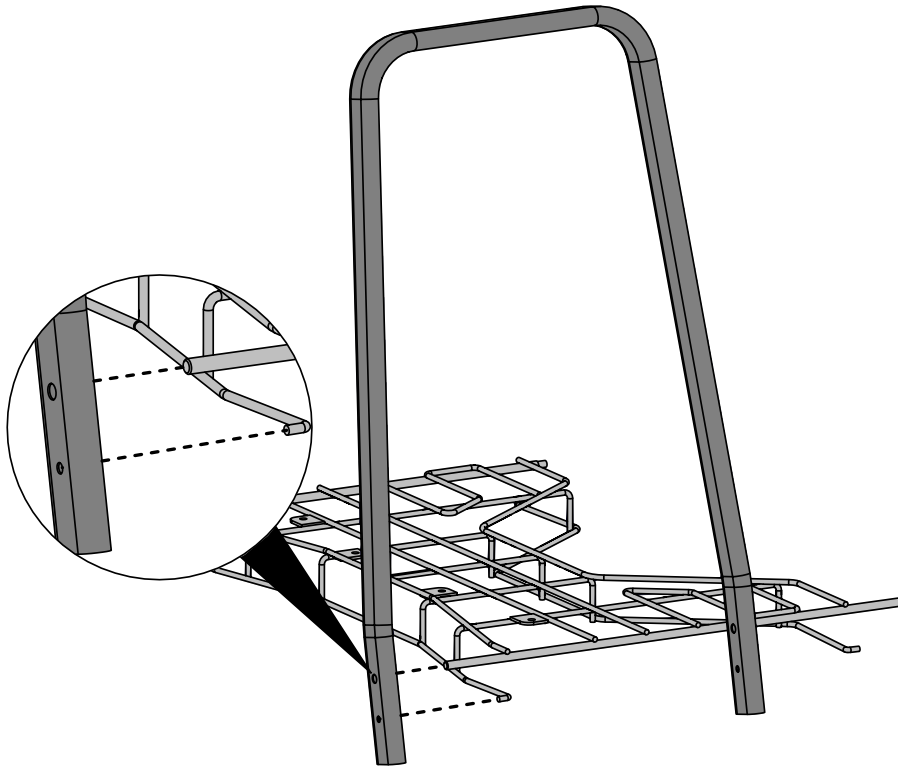
PRO285-STAND

ALL DIMENSIONS ARE APPROXIMATE



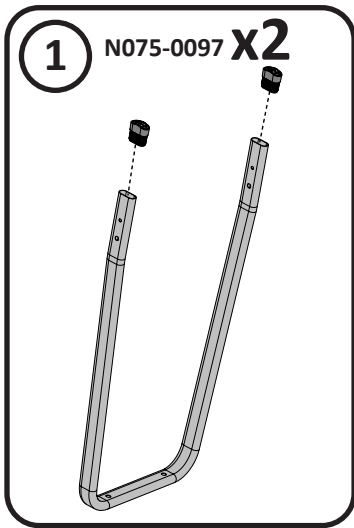
## TOOLS REQUIRED FOR ASSEMBLY (tools not included)



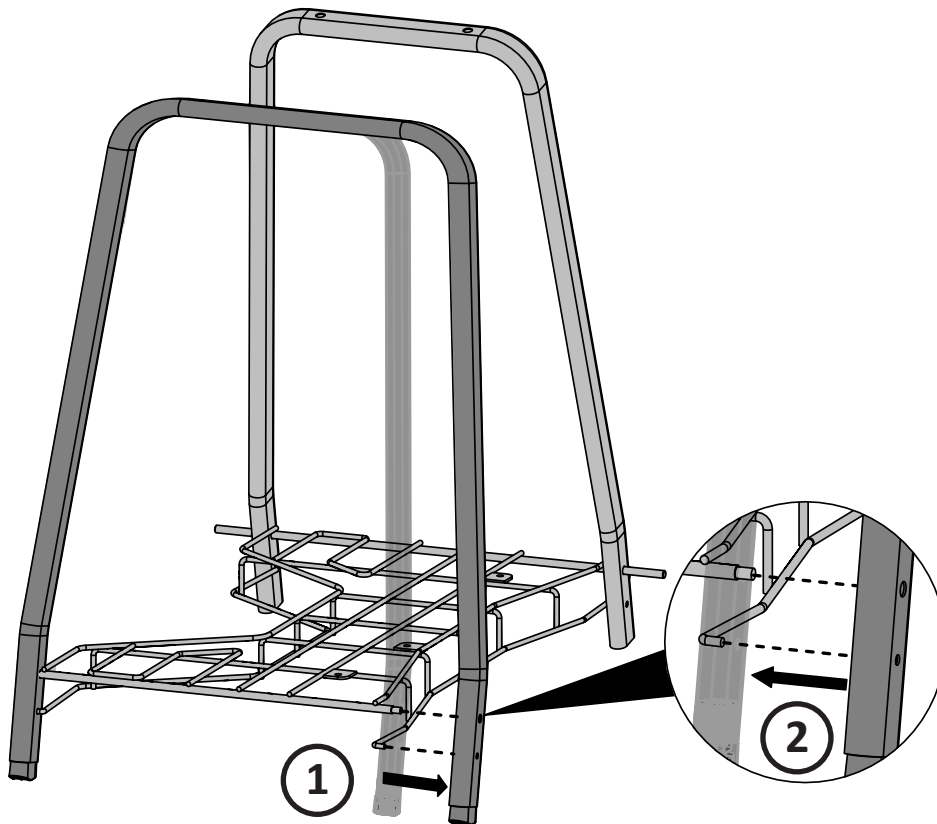
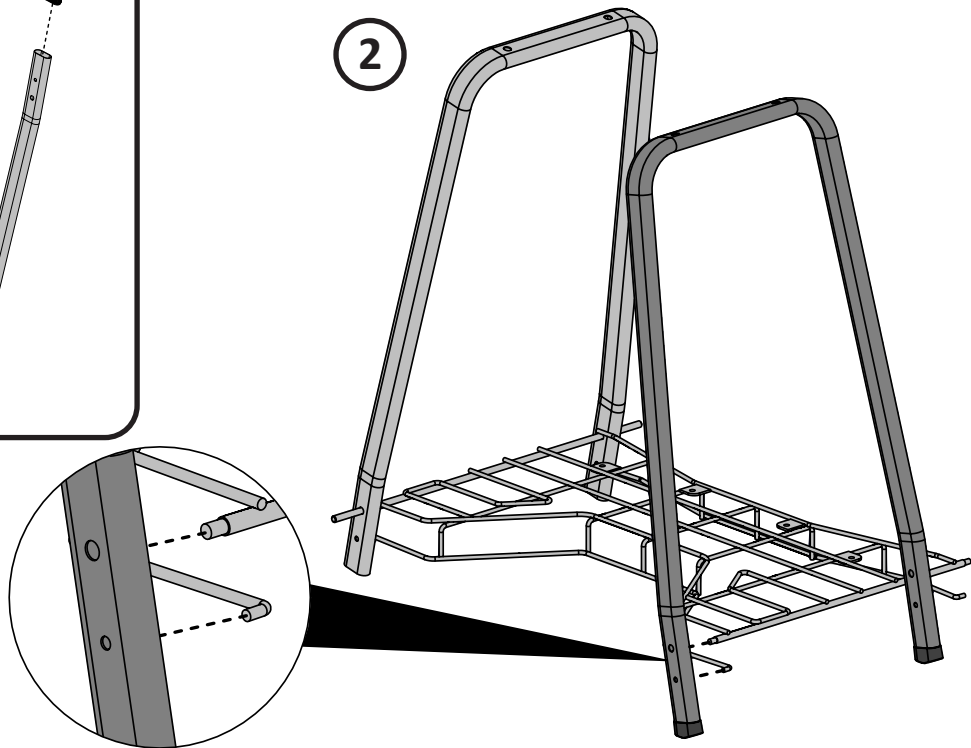


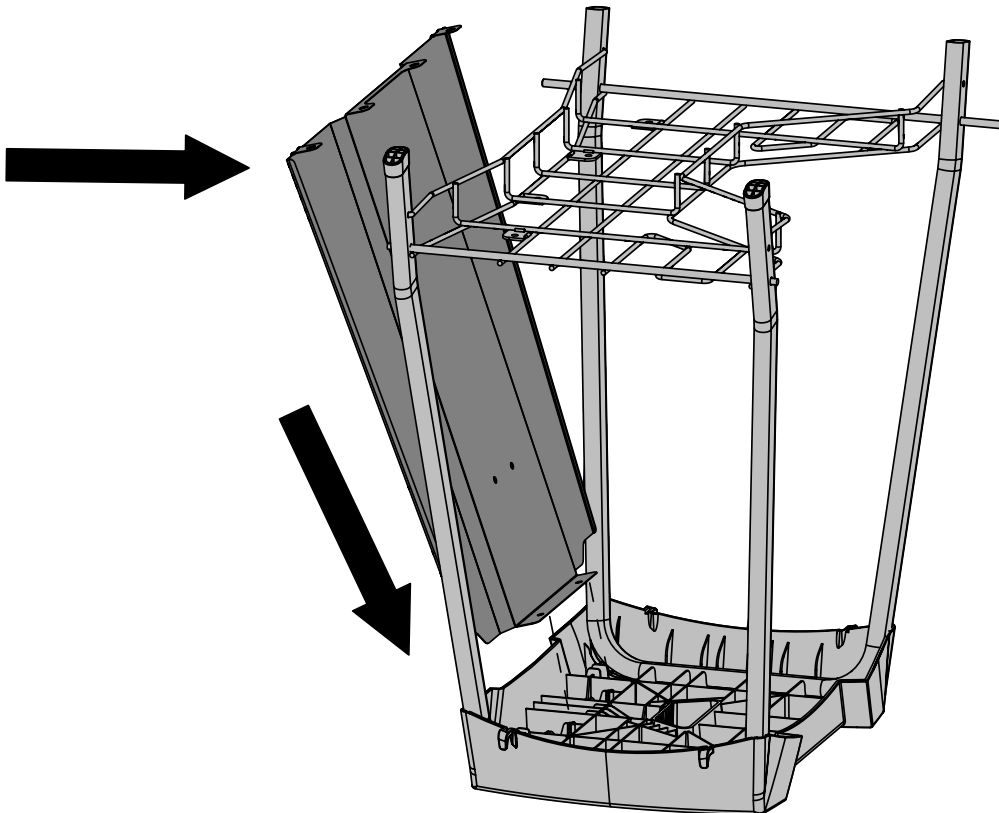
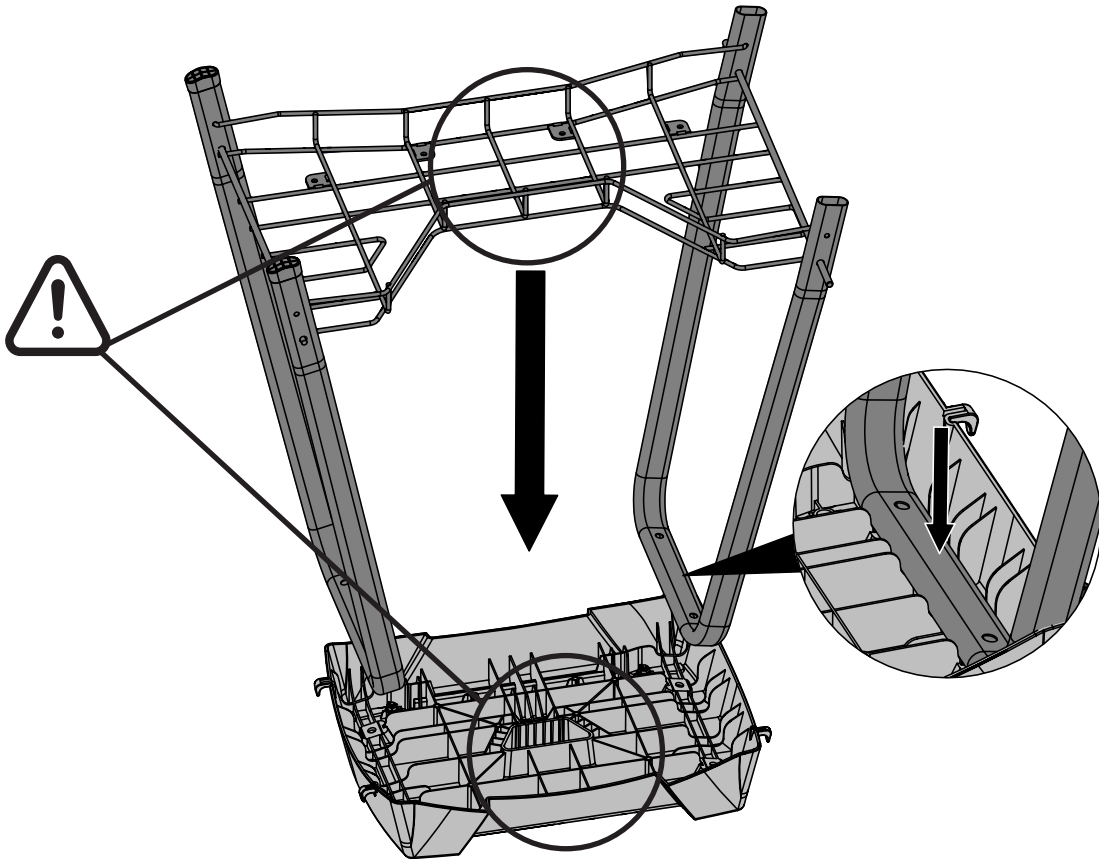


4



2

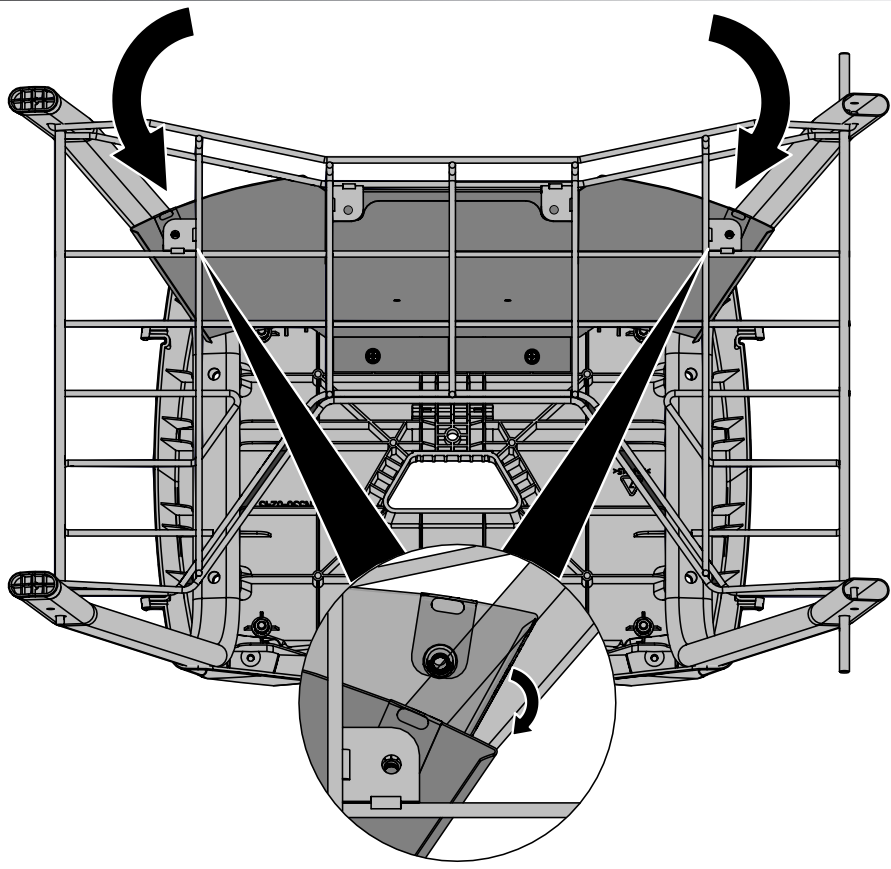
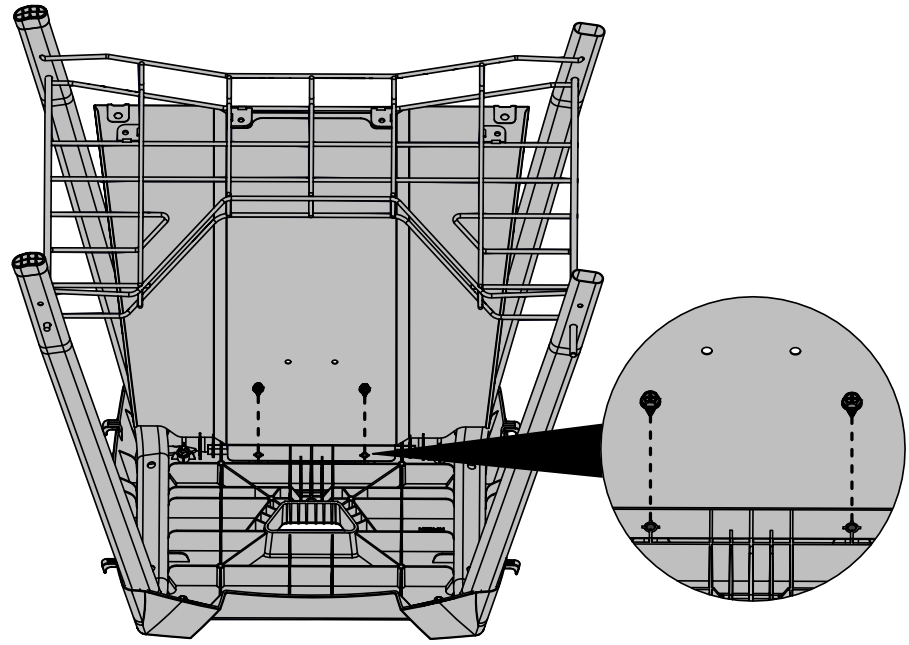




 **x2**  
N570-0086 (#14 x 1/2")

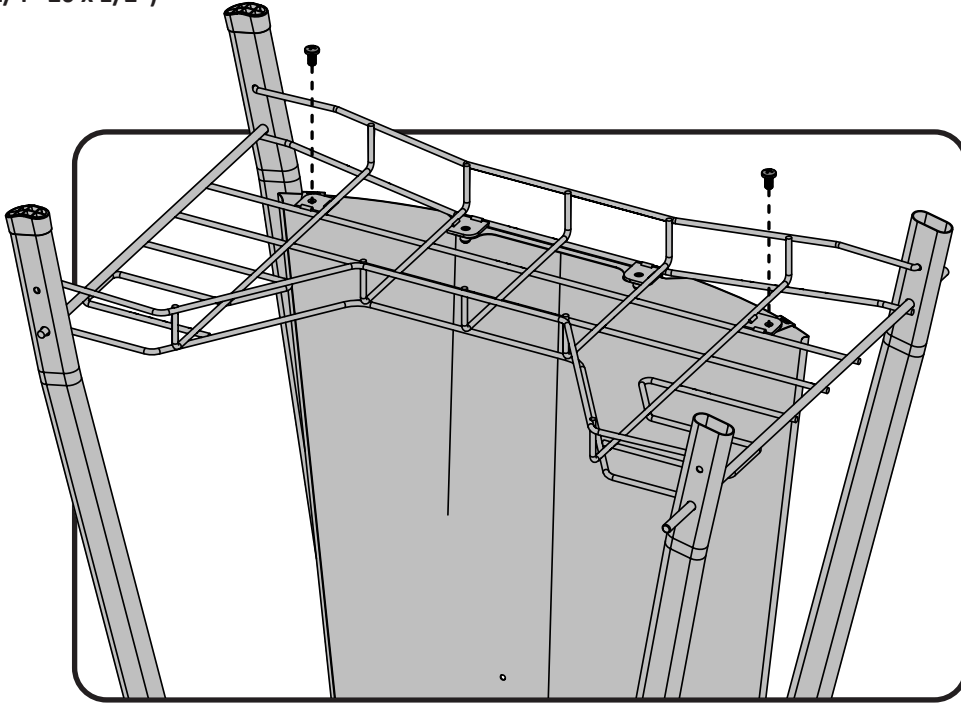


10mm

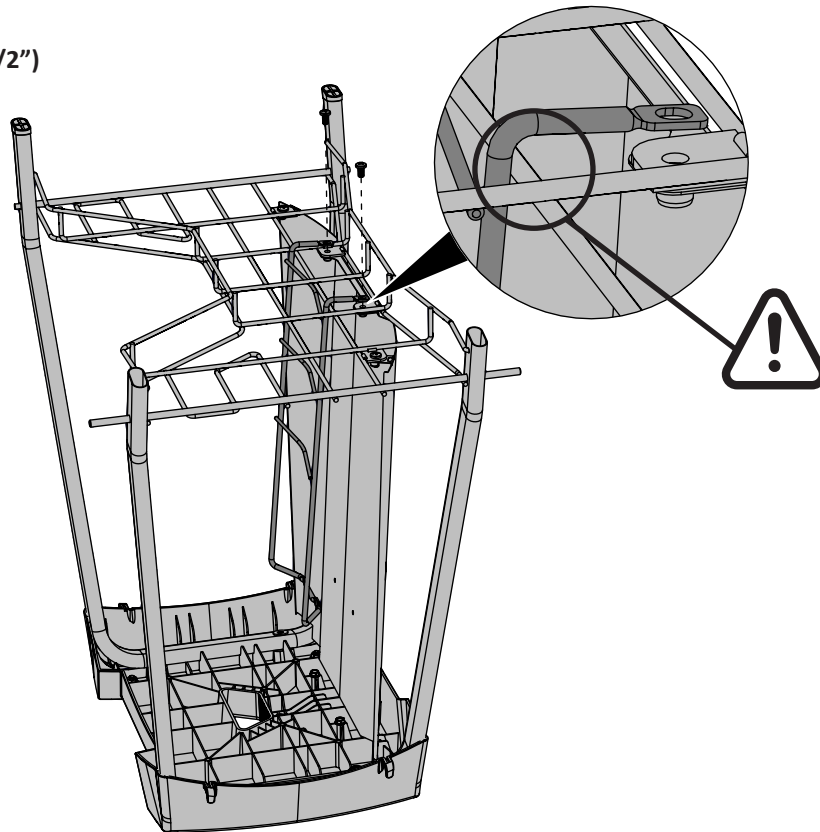


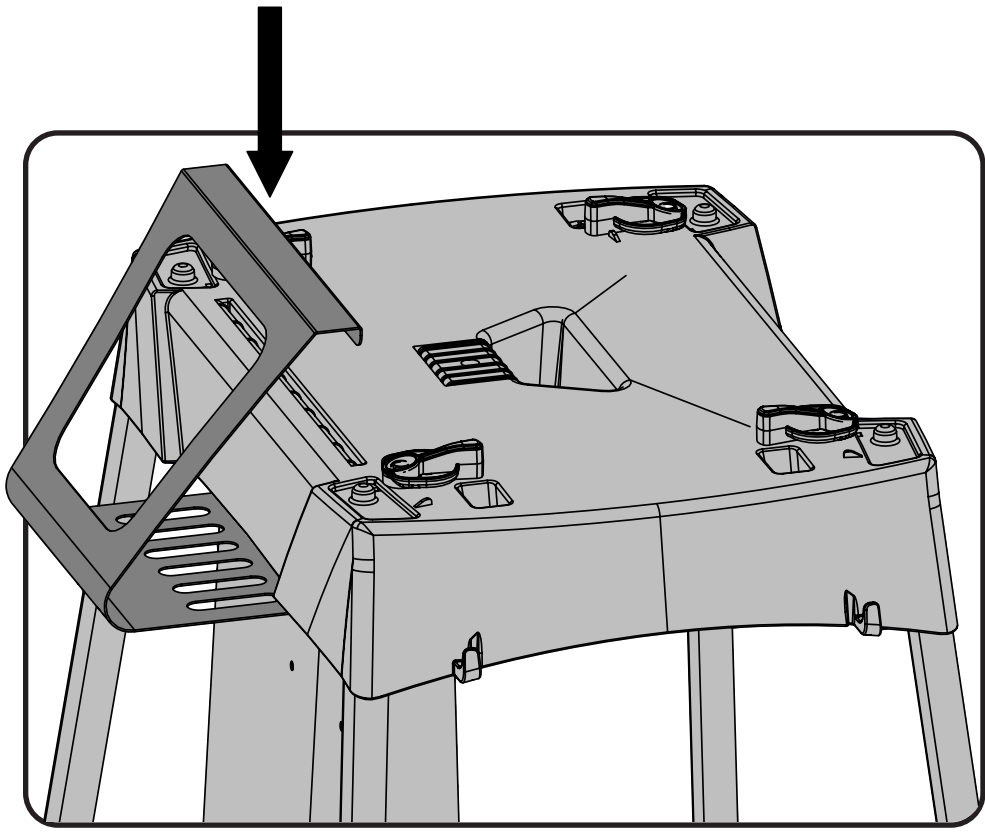


N570-0017 (1/4" -20 x 1/2")



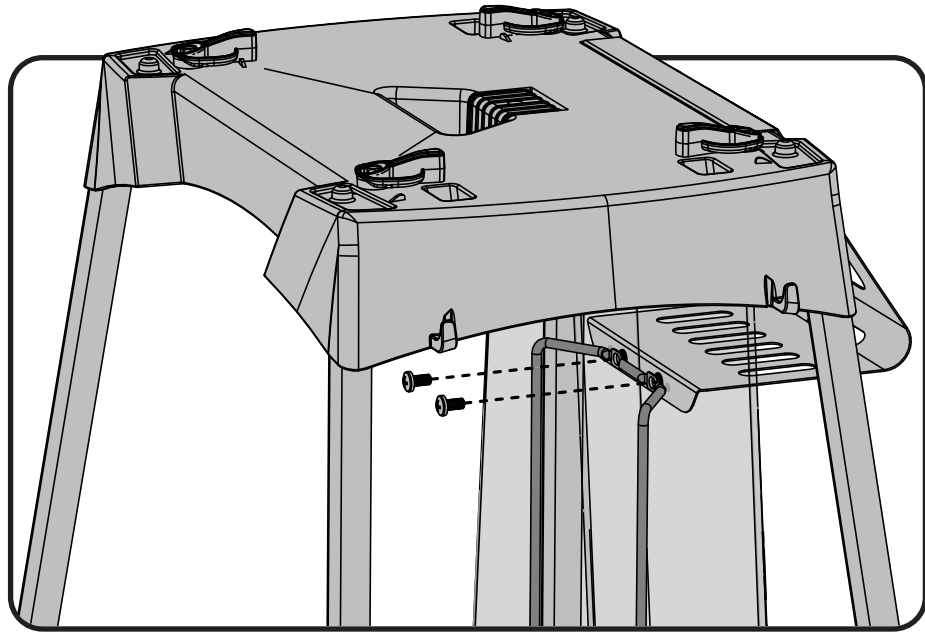
N570-0017 (1/4" -20 x 1/2")



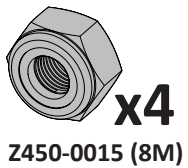
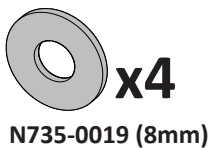
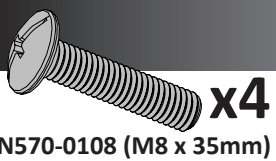


**x2**

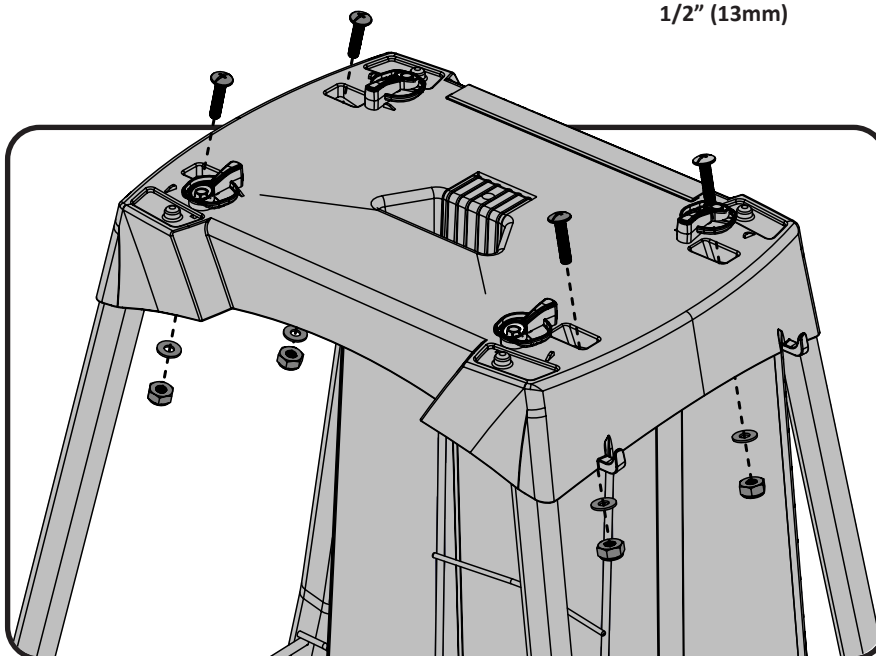
N570-0017 (1/4"-20 x 1/2")



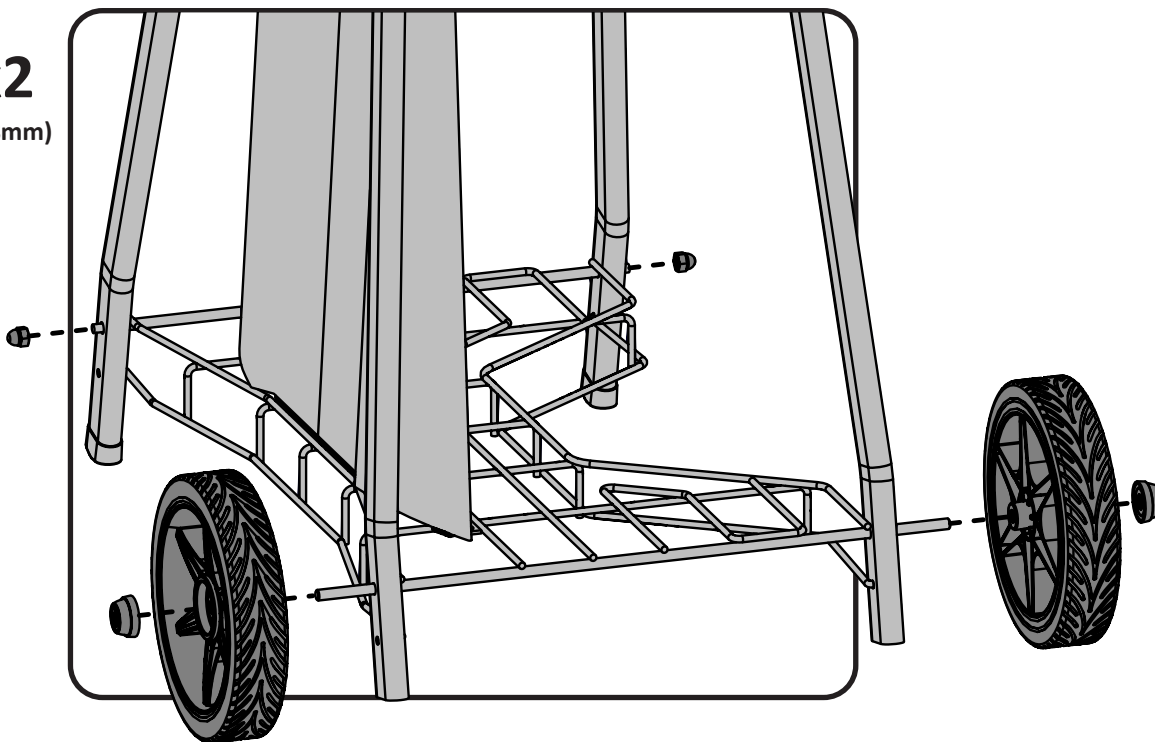




1/2" (13mm)

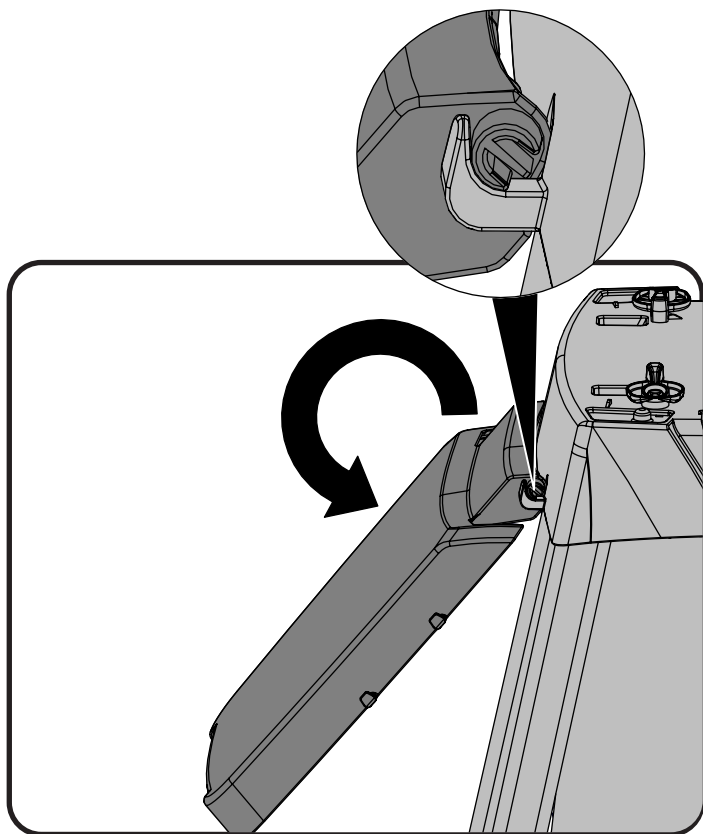
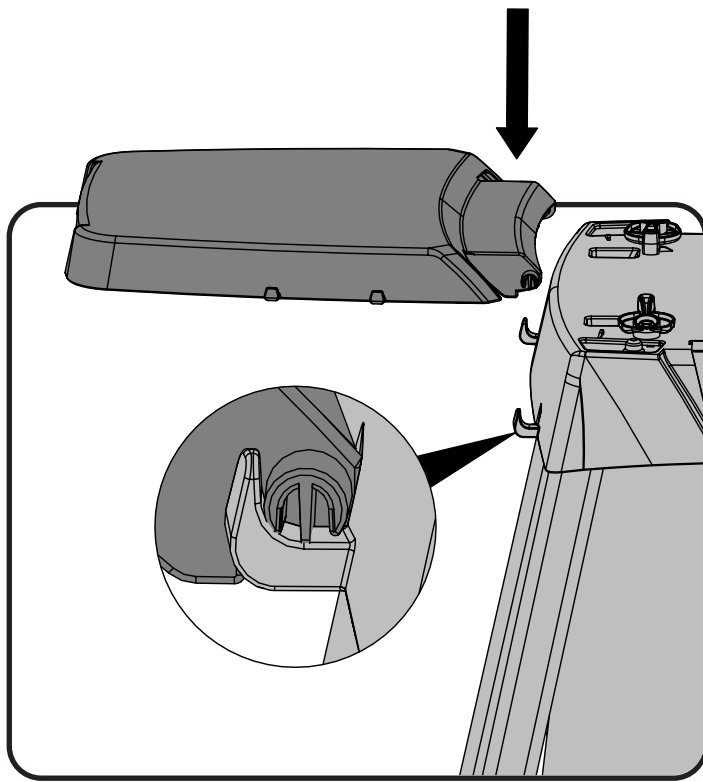


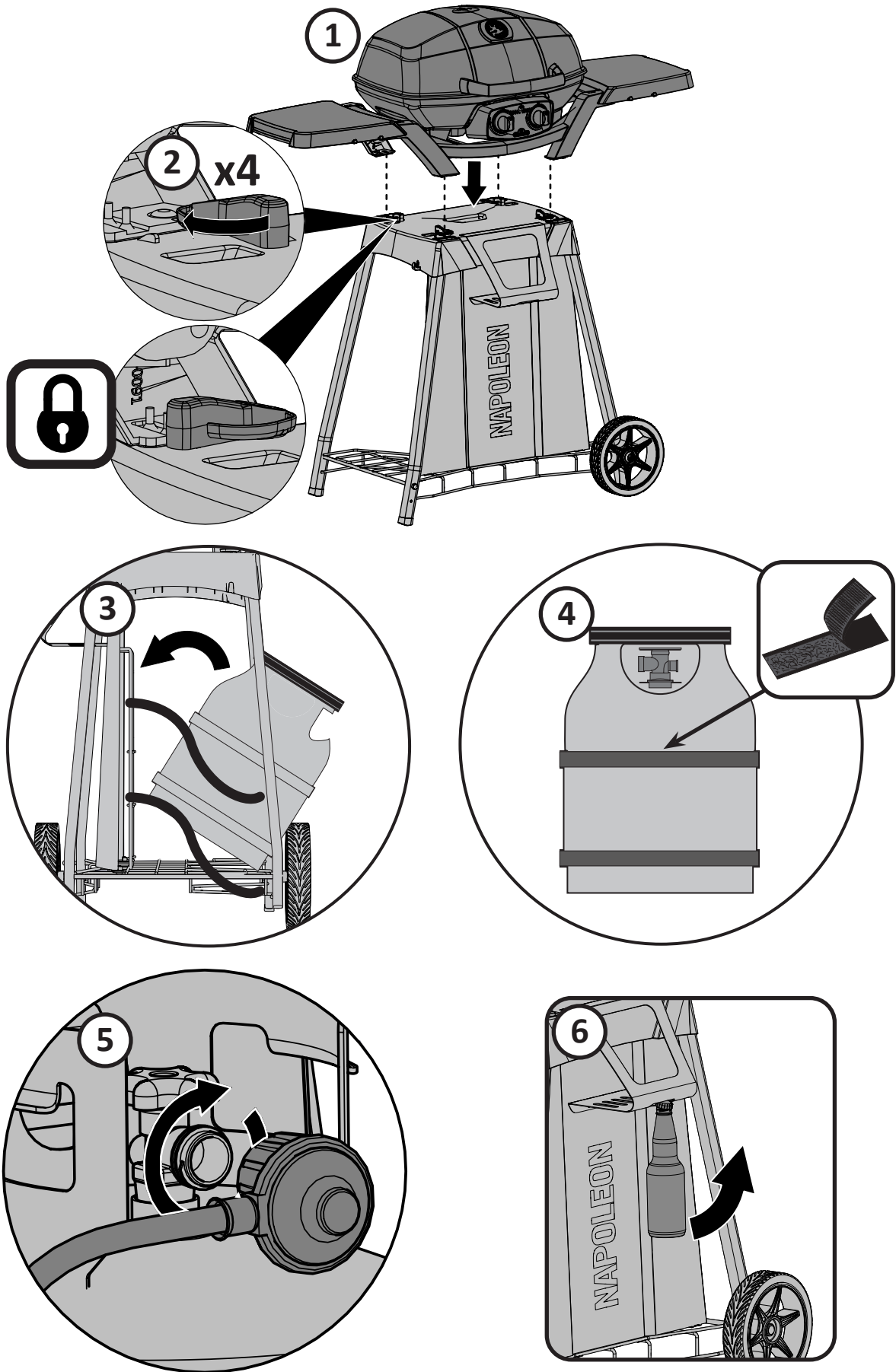
13mm





10



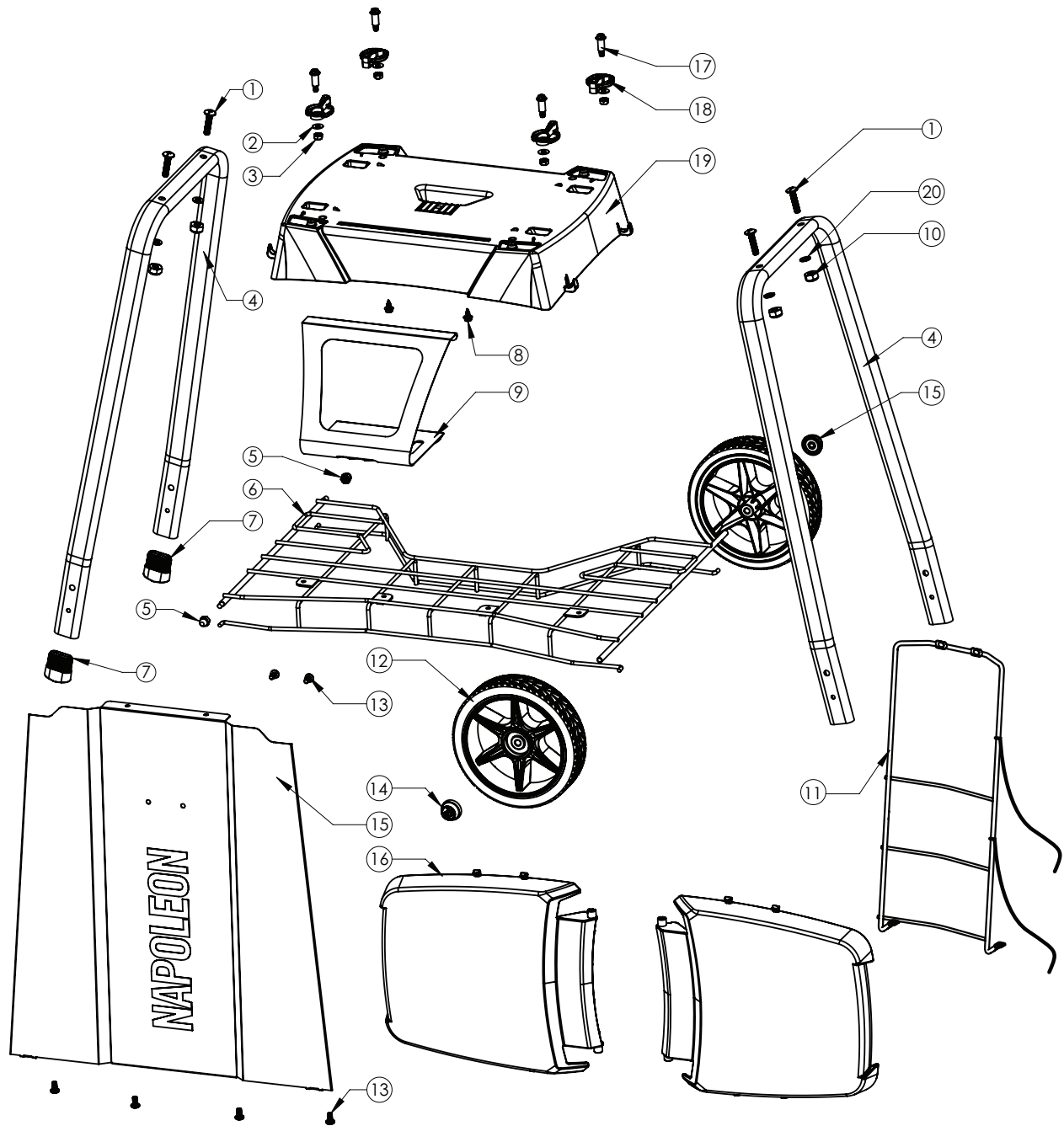


**PARTS LIST**

Item	Part #	Description	
1	N570-0108	screw M8 x 35mm	x
2	N735-0007	1/4" washer	x
3	N450-0025	1/4-20 nut	x
4	N720-0077-SS1SG	leg	x
5	N450-0035	acorn nut M8	x
6	N590-0245-BK1SG	wire shelf	x
7	N075-0097	foot	x
8	N570-0086	#14 x 1/2" screw	x
9	N710-0092-SS1SG	condiment tray	x
10	Z450-0015	M8 nut	x
11	N010-0870	tank support	x
12	Z745-0001	wheel	x
13	N570-0017	1/4-20 x 1/2" screw	x
14	N450-0043	axle cap	x
15	N475-0352-BK1SG	panel	x
16	N590-0244-SER	side shelf	x
17	N570-0110	shoulder screw	x
18	N390-0006	latch	x
19	N590-0243	shelf stand	x
20	N735-0019	8mm washer	x



# PARTS DIAGRAM





14

## Notes





*Notes*





Napoleon products are protected by one or more U.S. and Canadian and/or foreign patents or patents pending.



N415-0397CE

