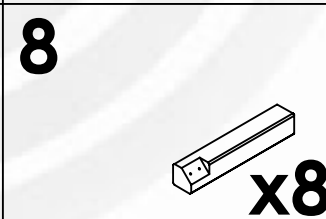
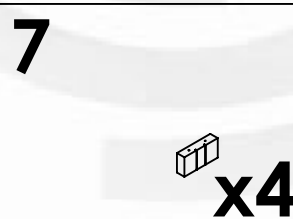
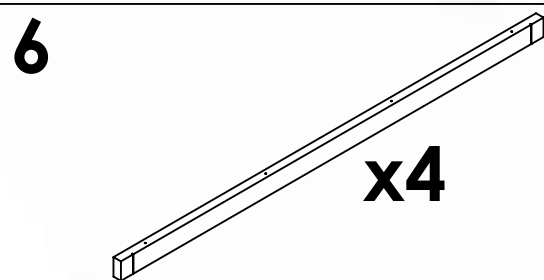
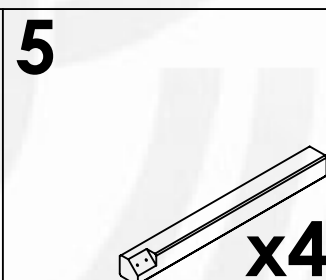
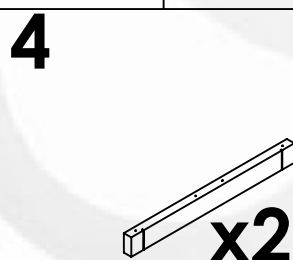
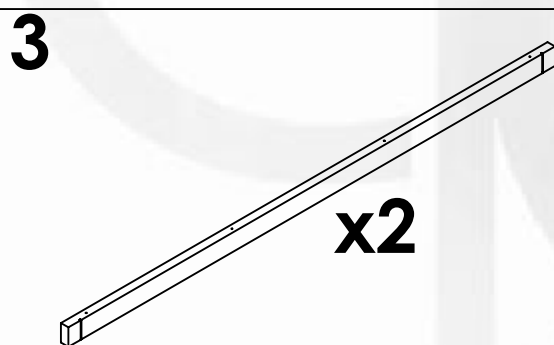
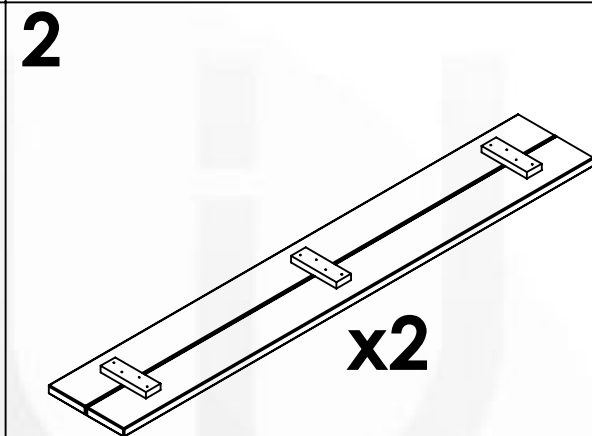
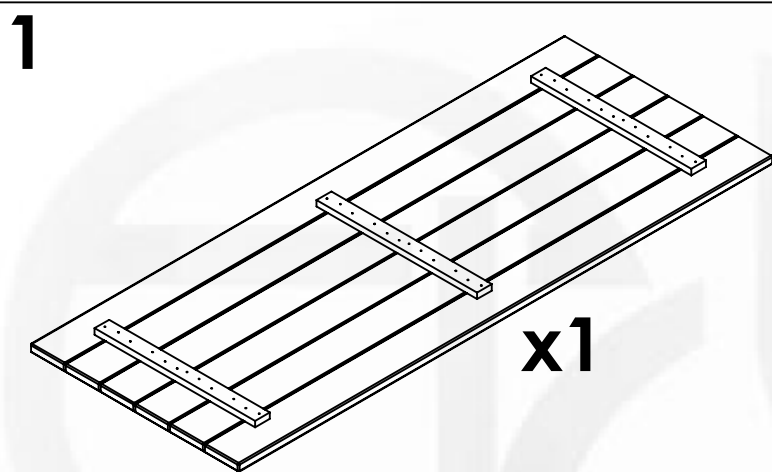
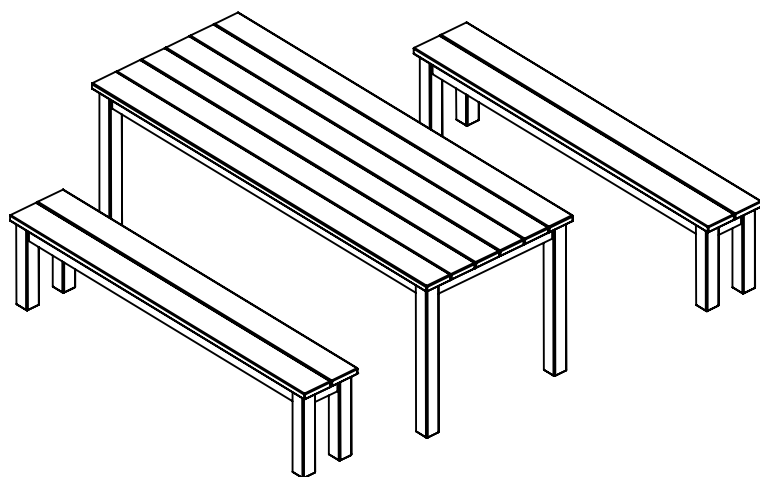

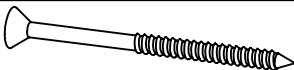

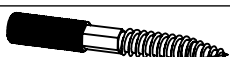
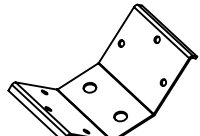
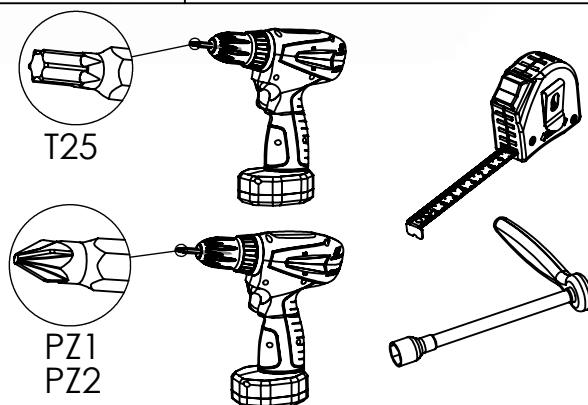
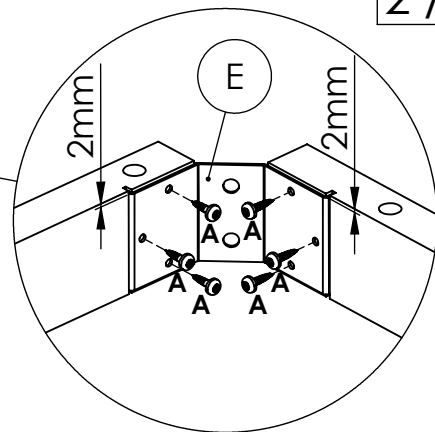
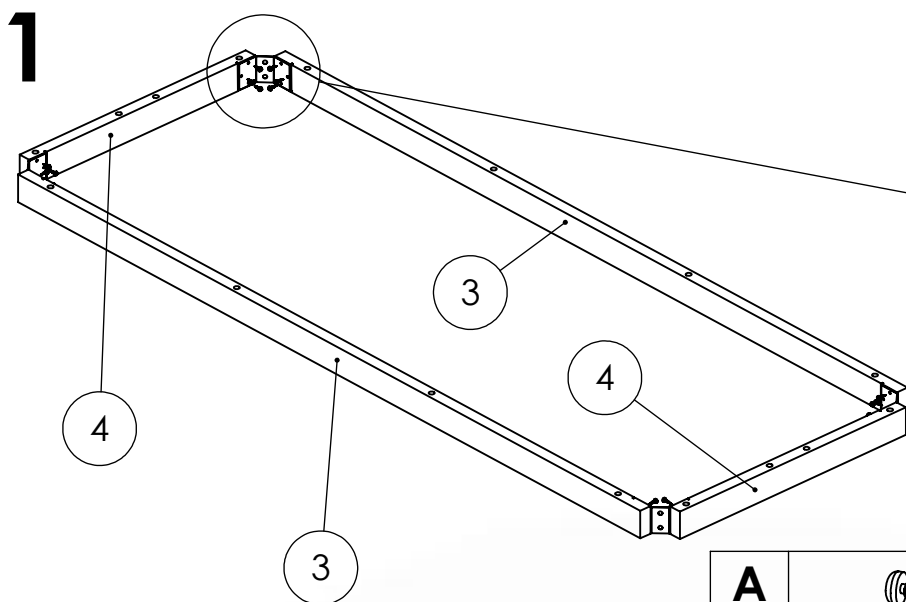



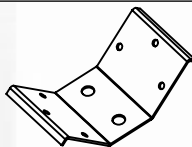
253654

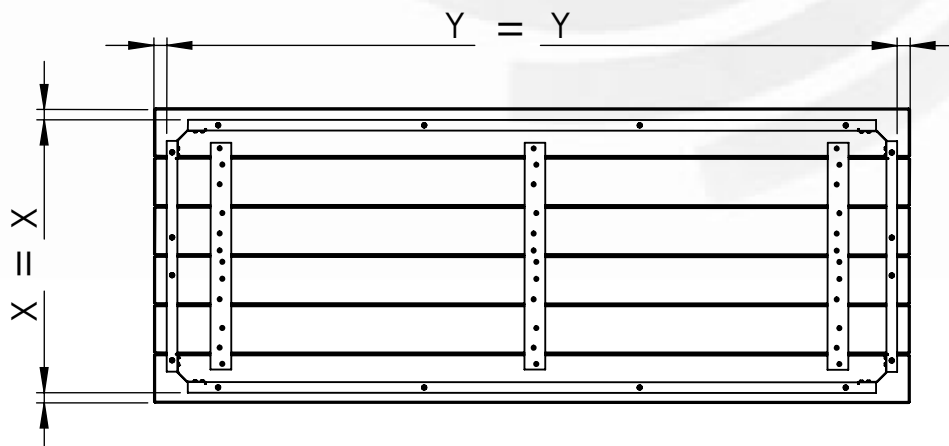
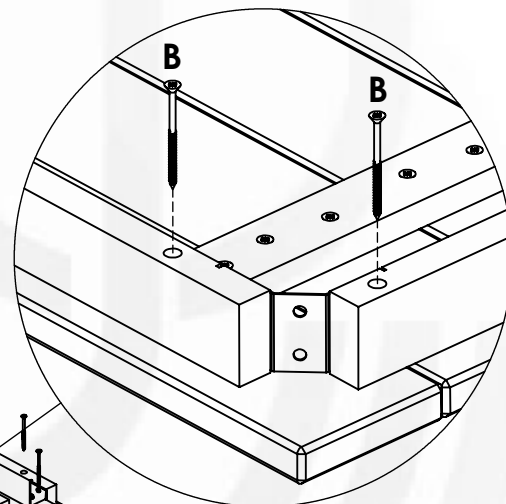
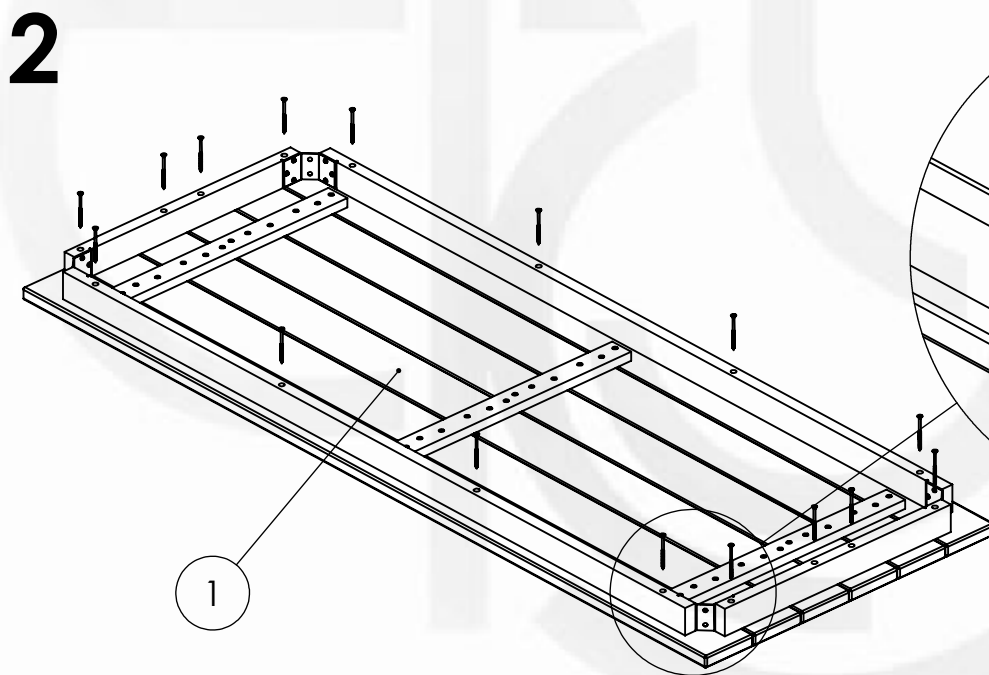


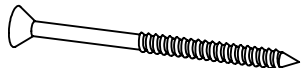
A		4,5x16	x72
B		5x70	x40
C		M8	x24
D		M8	x24
E			x12



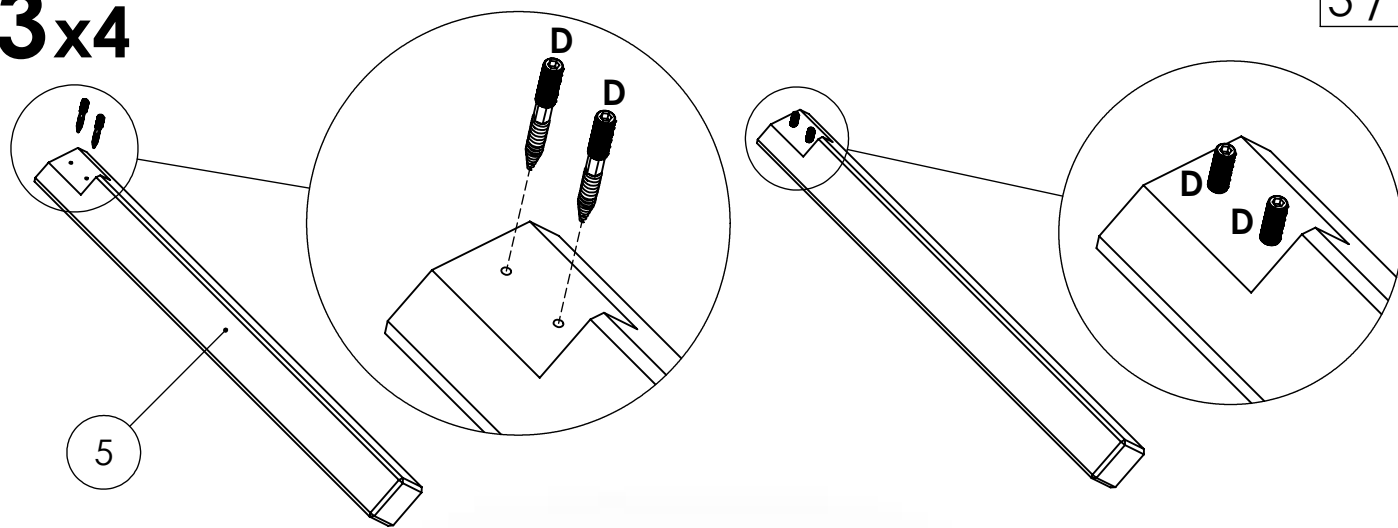


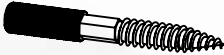
A		4,5x16	x24
E			x4



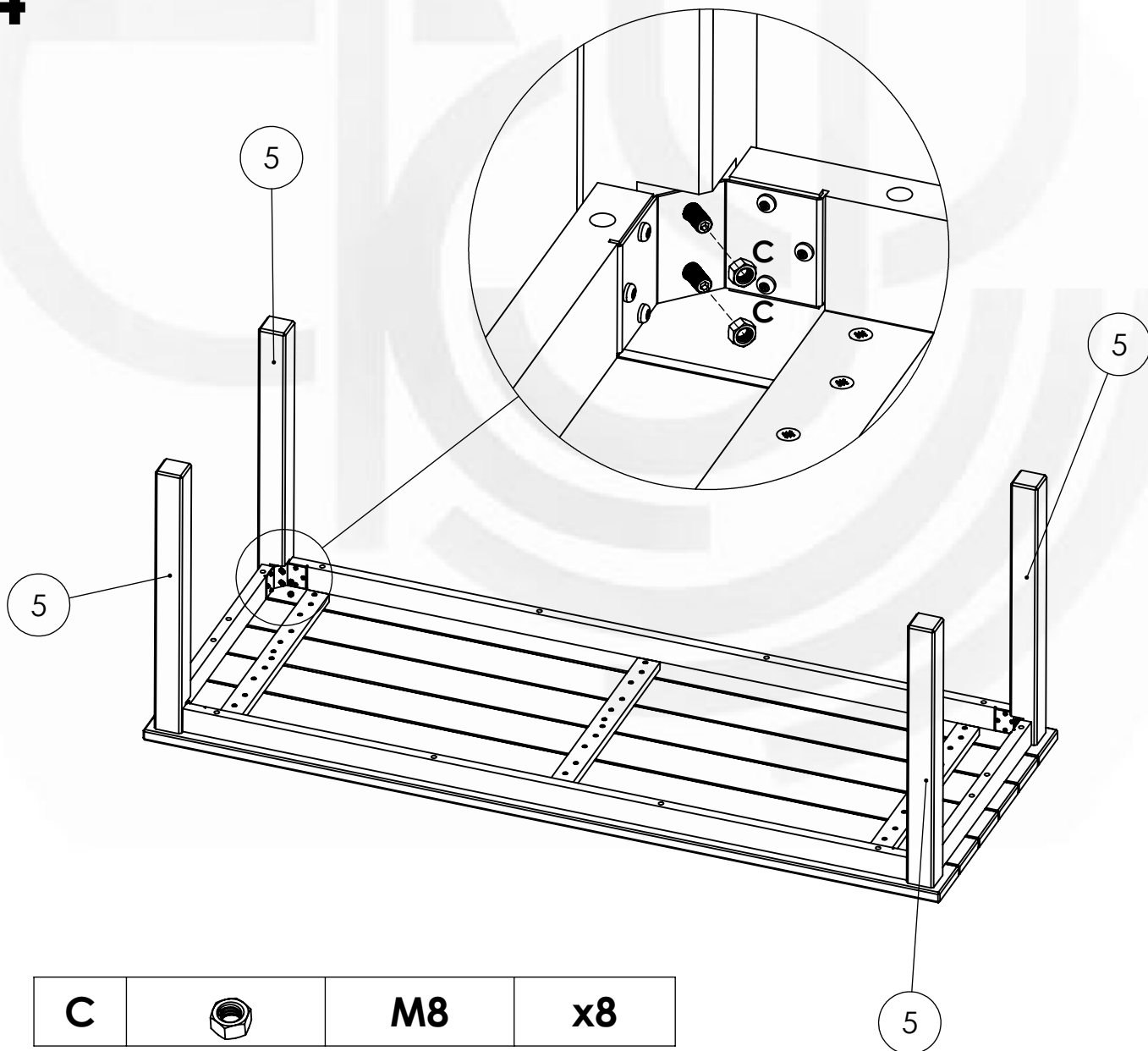
B		5x70	x16
----------	---	-------------	------------


3x4



D		M8	x2	x4
---	---	----	----	----

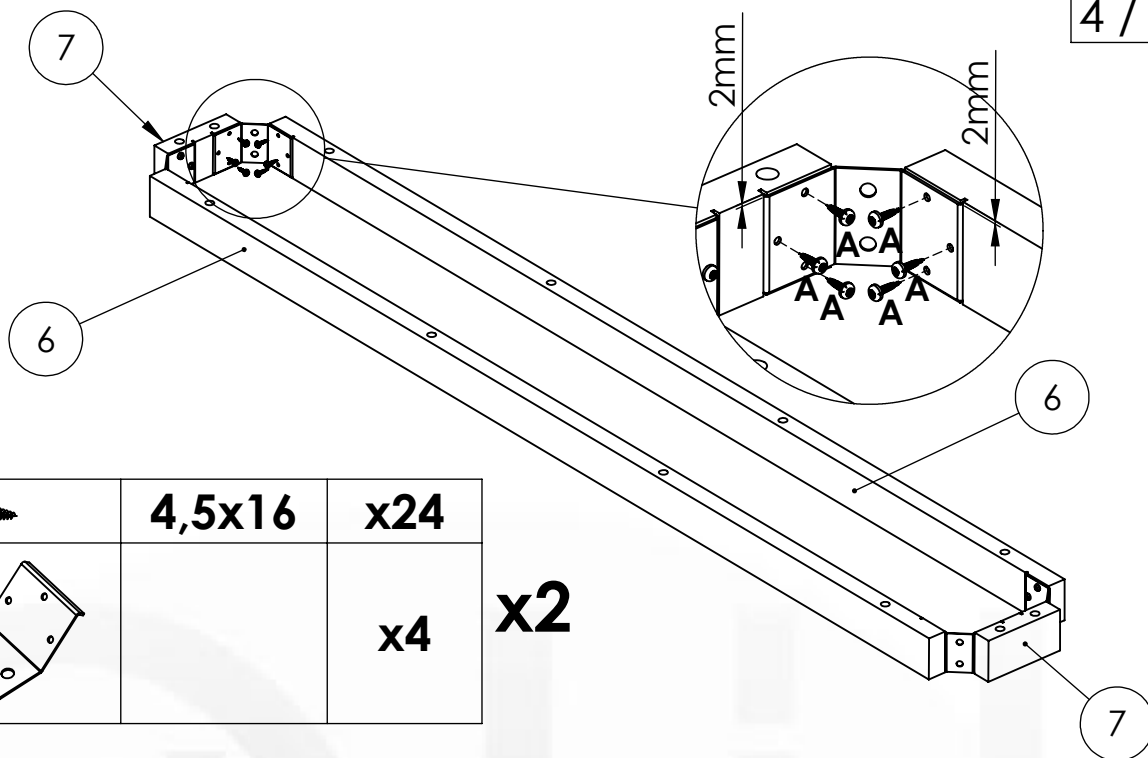
4


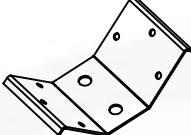


C		M8	x8	5
---	---	----	----	---

5x2

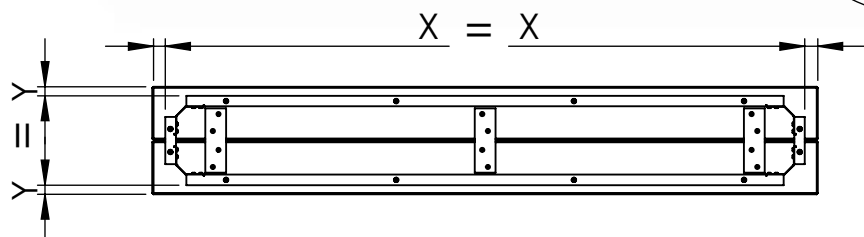
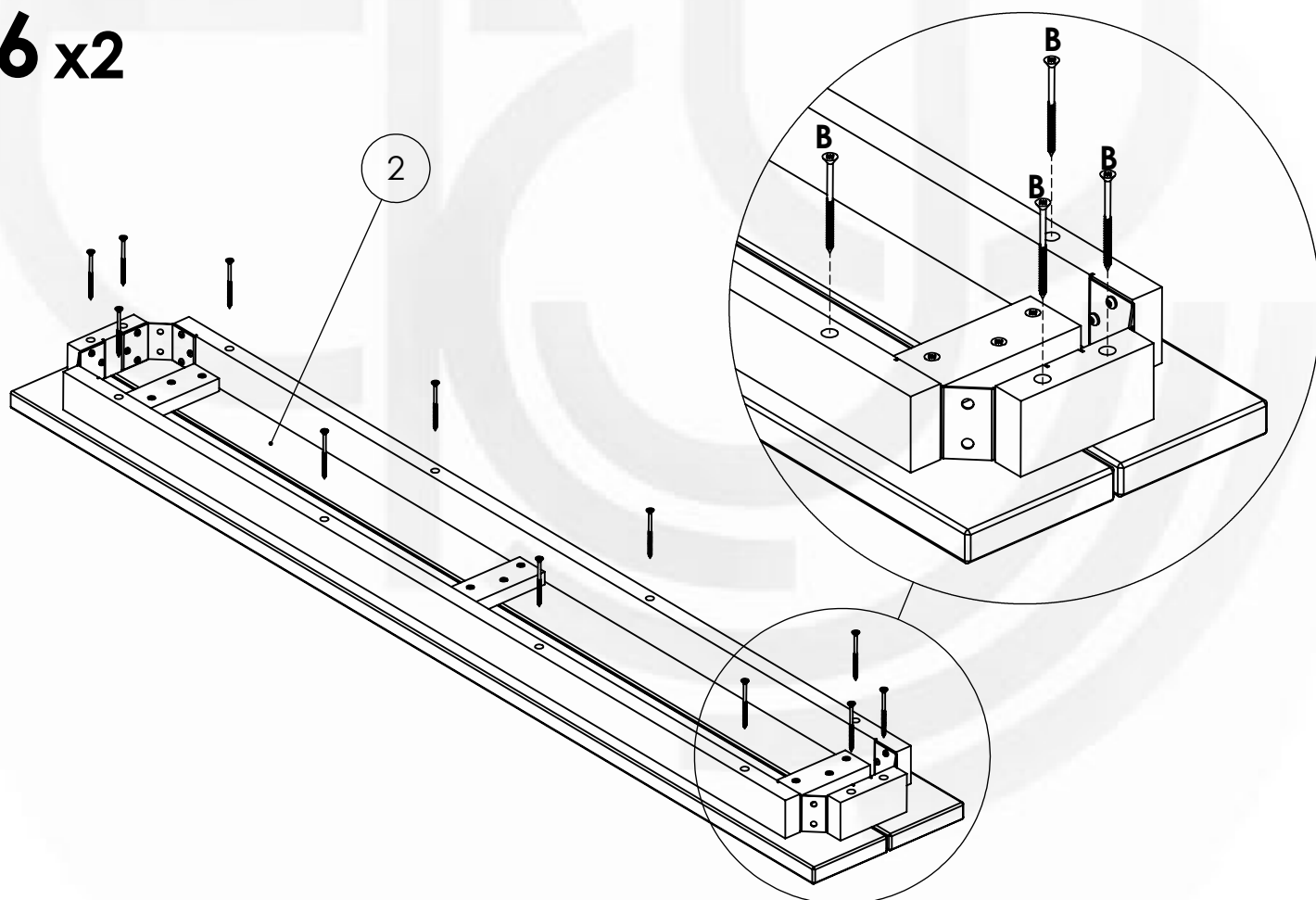
4 / 5

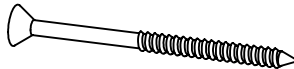


A		4,5x16	x24
E			x4

x2

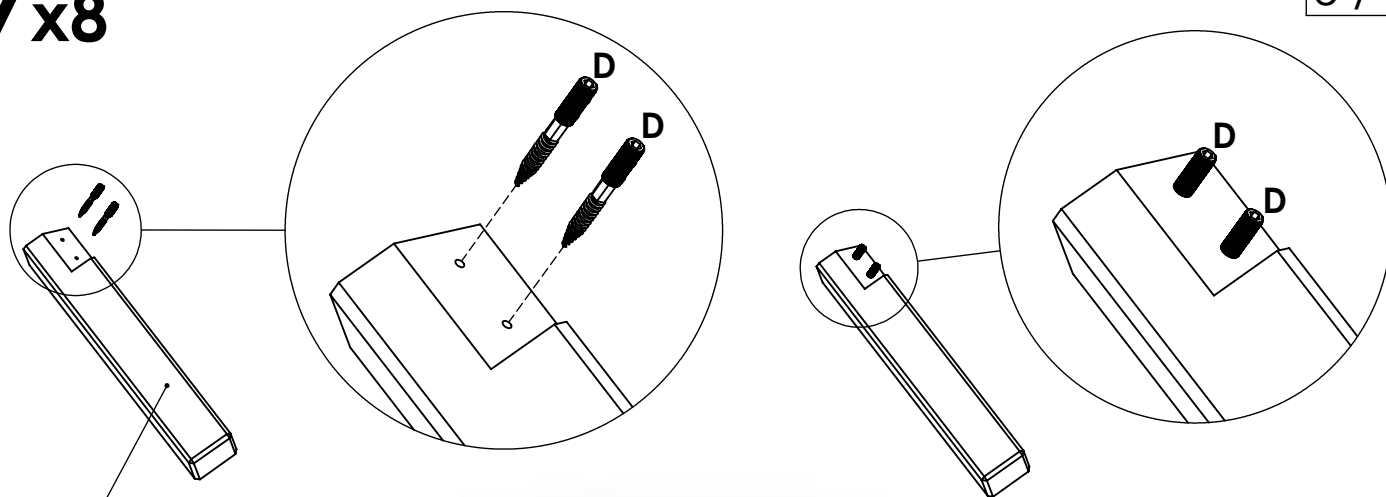
6x2



B		5x70	x12	x2
----------	---	-------------	------------	-----------

7x8

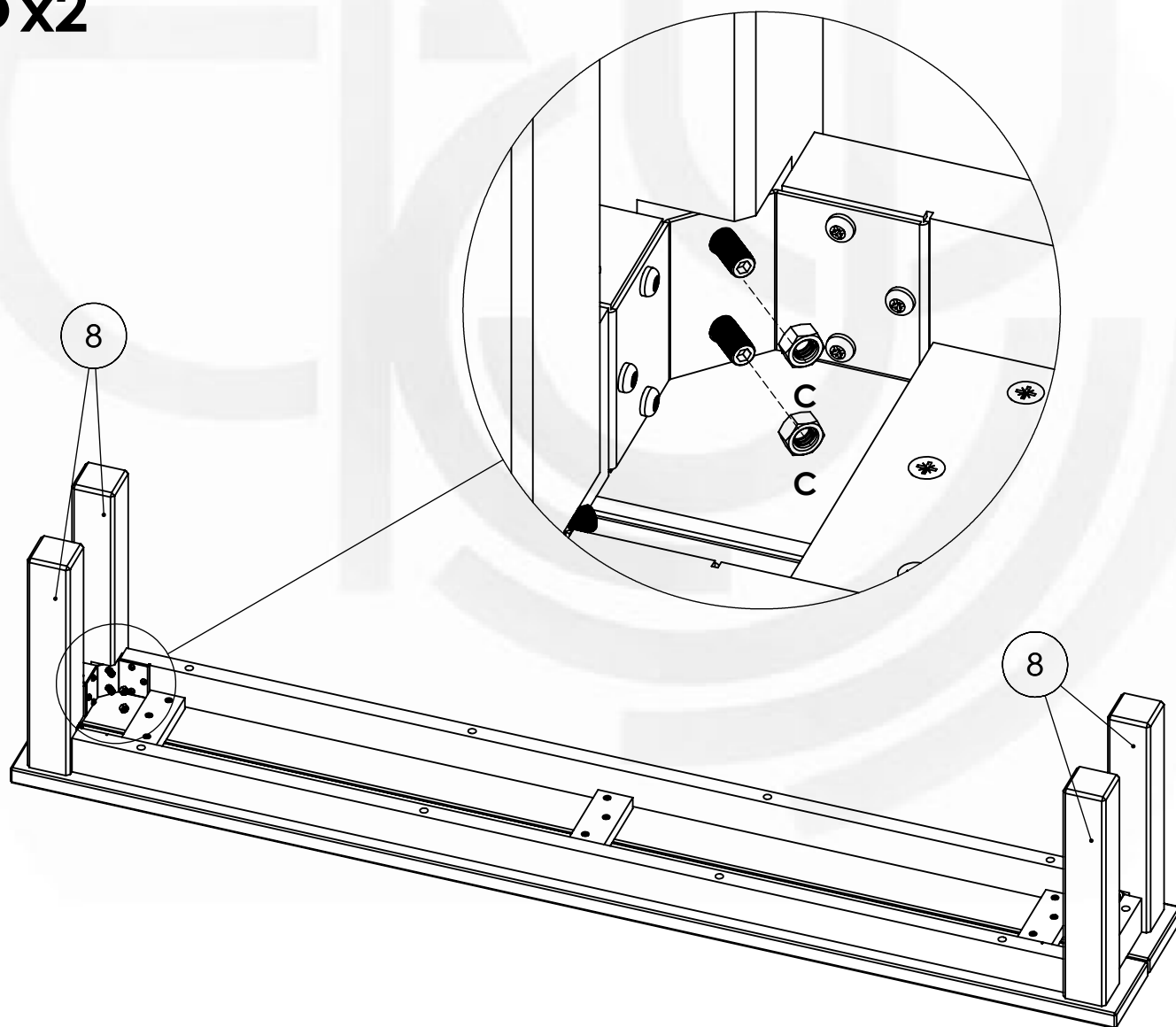
5 / 5



8

D		M8	x2	x8
---	---	----	----	----

8x2



8

8

C		M8	x8	x2
---	---	----	----	----