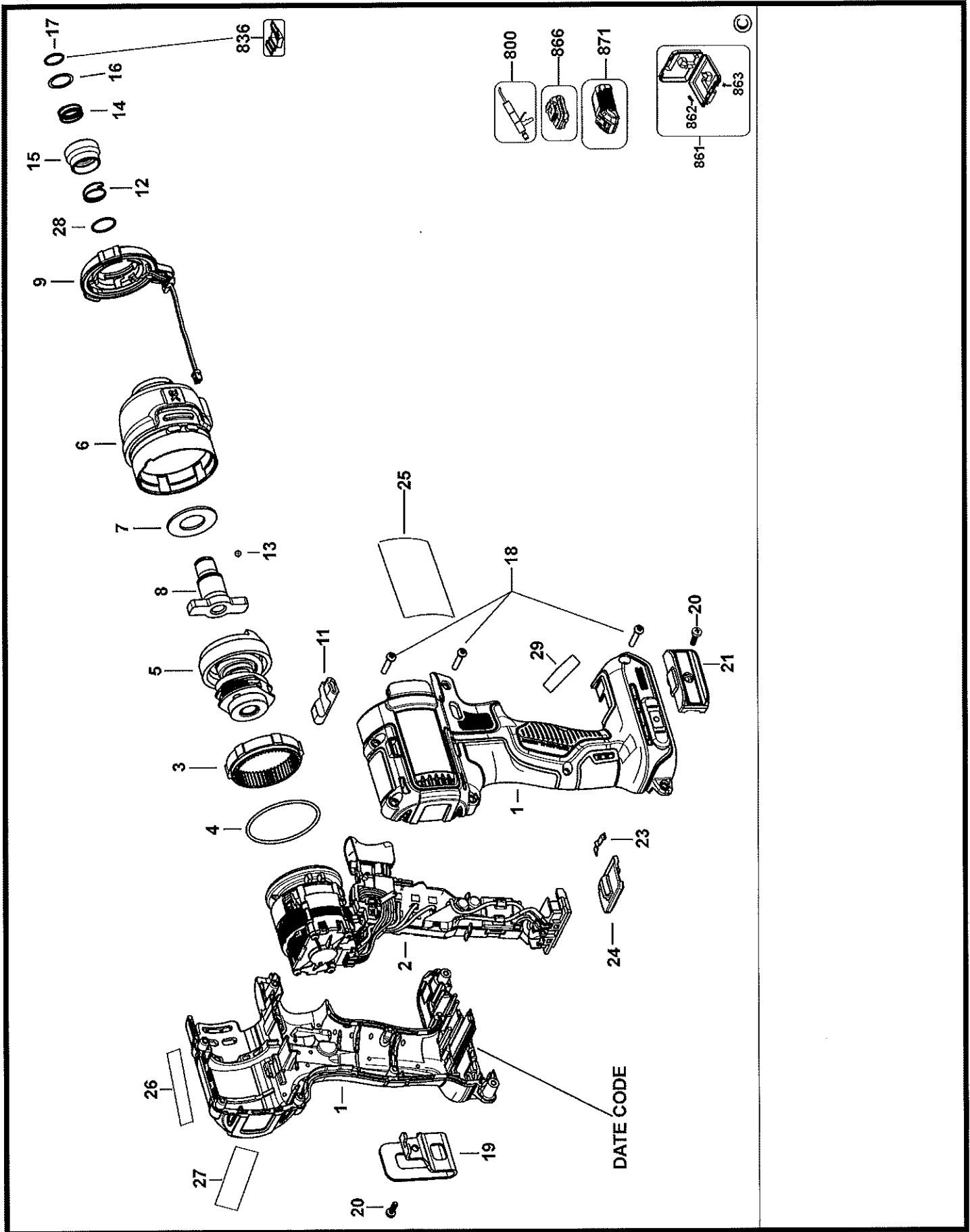


DCF887

CLE A CHOC 10



Nomenclature DCF887 CLE A CHOC 10

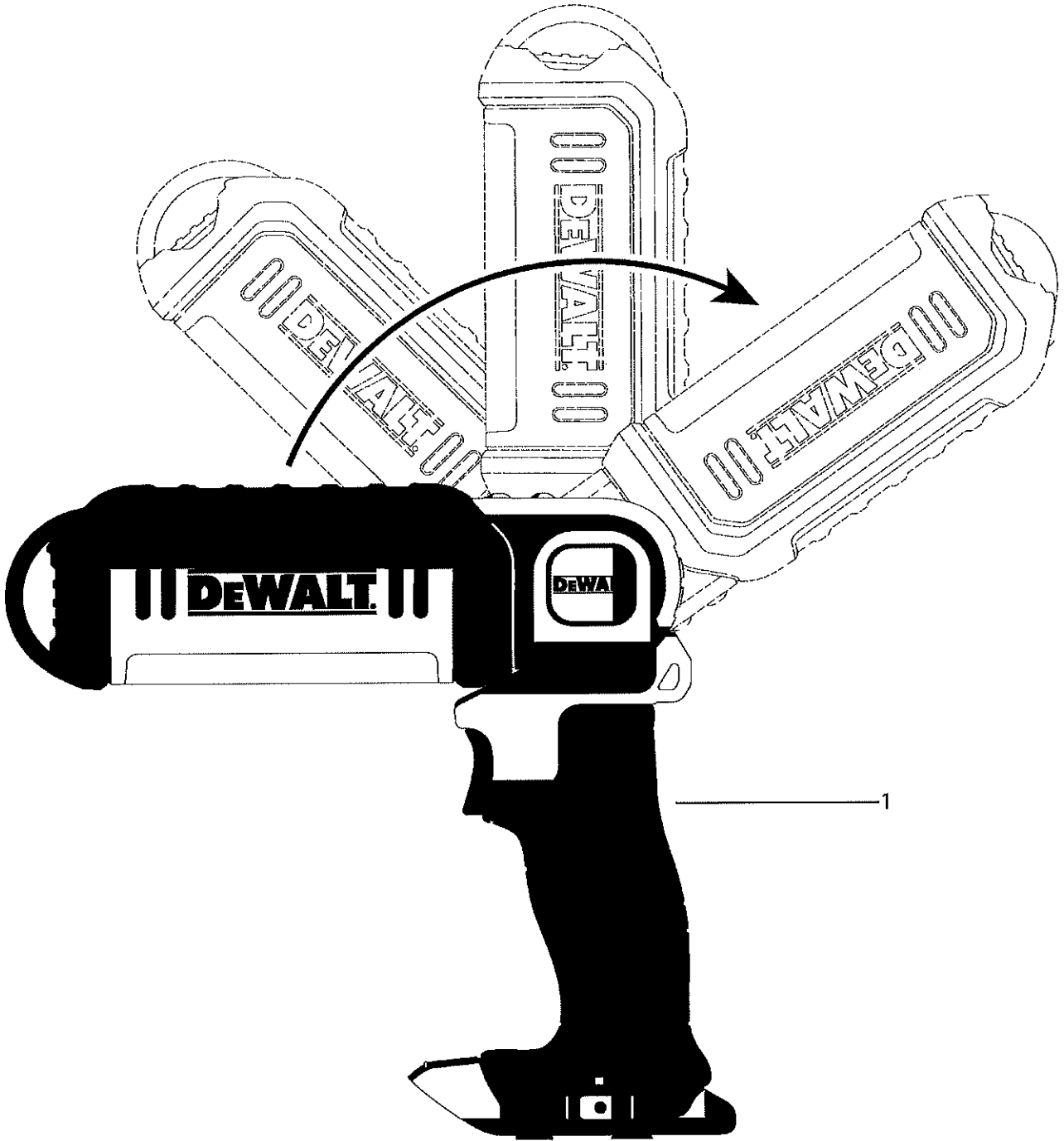
| Articl | Référence | Qté | Désignation pièce | Désignation générale | Autre information | Instructions de No | Pays |
|--------|------------|-----|----------------------------|----------------------|-------------------|--------------------|------|
| ÿ | N425910 | 1 | CARCASSE (PAIRE) | | | | |
| 2 | N439264 | 1 | S/E MOTEUR ET INTERRUPTEUR | 18V | | No | GB |
| 2 | N439264 | 1 | S/E MOTEUR ET INTERRUPTEUR | 18V | | No | QW |
| 2 | N439264 | 1 | S/E MOTEUR ET INTERRUPTEUR | 18V | | No | XE |
| 3 | N112877 | 1 | PIGNON | | | No | |
| 4 | N075339 | 1 | JOINT TORIQUE | | | No | |
| 5 | N439270 | 1 | MASSELOTTE | | | No | |
| 6 | N439271 | 1 | S/ENS NEZ | | | No | |
| 7 | 642883-00C | 1 | RONDELLE | | | No | |
| 8 | N439275 | 1 | DOUILLE D'ASSEMBL. | | | No | |
| 9 | N424434 | 1 | DIODE LUMINESCENTE | | | No | |
| 11 | N399342 | 1 | ACTUATOR | | | No | |
| 12 | N437890 | 1 | RESSORT | BALL | | No | |
| 13 | N089668 | 1 | BILLE ACIER | 3.5MM | | No | |
| 14 | N019351 | 1 | RESSORT | | | No | |
| 15 | N612522 | 1 | DOUILLE | | | No | |
| 16 | N016823 | 1 | RONDELLE | | | No | |
| 17 | N421245 | 1 | BAGUE | | | No | |
| 18 | 682211-00 | 8 | VIS | | | No | |
| 19 | N086039 | 1 | CROCHET | | | No | |
| 20 | N042665 | 2 | VIS | M3 X 10 | | No | |
| 21 | N475326 | 1 | TENUE D'EMBOUT | | | No | |
| 23 | N087259 | 1 | DETENTE | | | No | |
| 24 | N046201 | 1 | SELECTEUR | | | No | |
| 25 | N514607 | 1 | ETIQUETTE | Label Sheet | | No | GB |
| 25 | N514607 | 1 | ETIQUETTE | Label Sheet | | No | QW |
| 26 | N237999 | 1 | ETIQUETTE | 18V | | No | |
| 27 | N298039 | 1 | ETIQUETTE | | | No | |
| 28 | N424032 | 1 | BAGUE | | | No | |
| 29 | N514607 | 1 | ETIQUETTE | Label Sheet | | No | |
| 800 | 286436-00 | 1 | GRAISSE | 500 gms | | No | |
| 800 | 808386-00 | 1 | GRAISSE 100 GMS | Molykote G-68 | | No | |
| 836 | 1003940-99 | 1 | S.T.CIRCLIP INSERTER | | | No | |

Nomenclature DCF887 CLE A CHOC 10

| Articl | Référence | Qté | Désignation pièce | Désignation générale | Autre information | Instructions de No | Pays |
|--------|-------------|-----|-----------------------------|----------------------|-------------------|--------------------|------|
| 861 | N442425 | 1 | BOITE KIT | D2-P2-NT - TSTAK | | No | GB |
| 861 | N442424 | 1 | BOITE KIT | TSTAK | | No | GB |
| 861 | N442424 | 1 | BOITE KIT | TSTAK | | No | QW |
| 861 | N442425 | 1 | BOITE KIT | D2-P2-NT - TSTAK | | No | QW |
| 862 | H1500082520 | 2 | VERROU | | | No | |
| 863 | P910190 | 2 | VERROU | | | No | |
| 866 | N394624 | 1 | BATTERIE 18V - 5.0AH - 90WH | Li-Ion - DCB184-XJ | DCF887-P2 | No | GB |
| 866 | N195933 | 1 | BATTERIE 18V - 4.0AH - 72WH | Li-Ion - DCB182-XJ | DCF887M1 | No | GB |
| 866 | N314783 | 1 | BATTERIE 18V - 2.0AH - 36WH | Li-Ion - DCB183-XJ | DCF887-D2 | No | GB |
| 866 | N314783 | 1 | BATTERIE 18V - 2.0AH - 36WH | Li-Ion - DCB183-XJ | DCF887-D2 | No | QW |
| 866 | N394624 | 1 | BATTERIE 18V - 5.0AH - 90WH | Li-Ion - DCB184-XJ | DCF887-P2 | No | QW |
| 871 | N450537 | 1 | CHARGEUR 10.8V - 18V | DCB115-GB - 4.0A | | No | GB |
| 871 | N450536 | 1 | CHARGEUR (EURO) | DCB115-QW - 4.0A | | No | QW |

DCL050

LUMIÈRE DE TRAVAIL 1

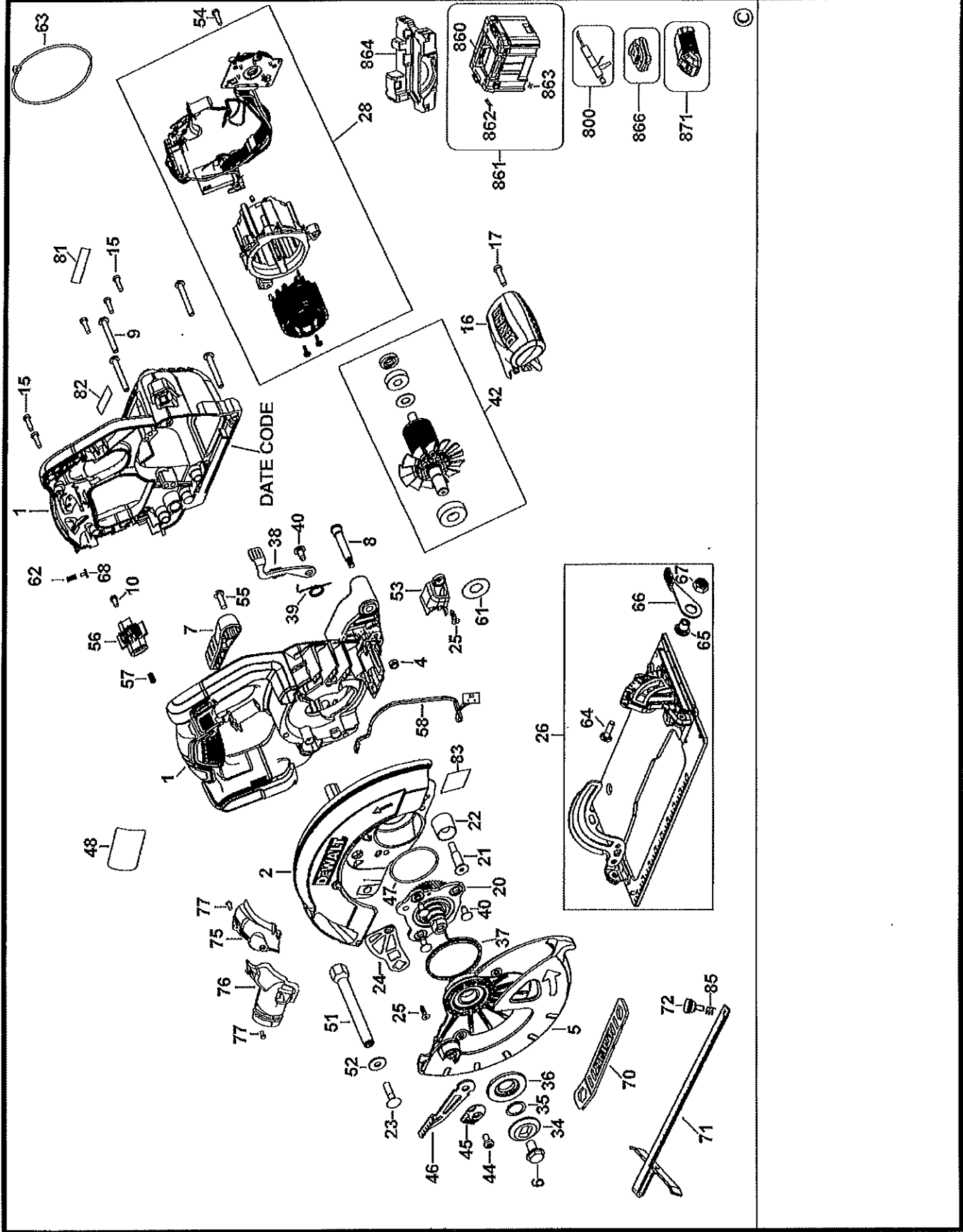


Nomenclature DCL050 LUMIÈRE DE TRAVAIL 1

| Articl | Référence | Qté | Désignation pièce | Désignation générale | Autre information | Instructions de No | Pays |
|--------|-----------|-----|-------------------------|----------------------|----------------------|--------------------------|------|
| Ï | 000000-01 | 1 | PAS DE PIÈCE DISPONIBLE | | | No | XE |
| 1 | 000000-01 | 1 | PAS DE PIÈCE DISPONIBLE | | | No | XJ |

DCS570

SCIE CIRCULAIRE SANS FIL 1



Nomenclature DCS570 SCIE CIRCULAIRE SANS FIL 1

| Articl | Référence | Qté | Désignation pièce | Désignation générale | Autre information | Instructions de No | Pays |
|--------|-----------|-----|----------------------------|----------------------|-------------------|--------------------|------|
| 1 | N462731 | 1 | CARCASSE (PAIRE) | | | No | |
| 2 | N499337 | 1 | BOITE DE VITESSE | | | No | |
| 4 | N123103 | 1 | PIECE DETACHEE | | | No | |
| 5 | N378852 | 1 | PROTECTEUR INF. | | | No | |
| 6 | 145344-00 | 1 | VIS SPECIALE | | | No | |
| 7 | N419350 | 1 | LEVIER | | | No | |
| 8 | N099101 | 1 | BOULON | | | No | |
| 9 | 330045-19 | 4 | VIS FREINEE | | | No | |
| 10 | 330019-10 | 1 | VIS | | | No | |
| 15 | 330019-03 | 7 | VIS | M3.5 x 16 | | No | |
| 16 | N115554 | 1 | POIGNEE | | | No | |
| 17 | 330019-13 | 1 | VIS | M4 x 19 - T20 | | No | |
| 20 | N499339 | 1 | S/ENS BROCHE | | | No | |
| 21 | N086135 | 1 | VIS | | | No | |
| 22 | 381066-00 | 1 | BUTOIR | | | No | |
| 23 | 098128-90 | 1 | BOULON | | | No | |
| 24 | N135988 | 1 | LIAISON | | | No | |
| 25 | 593515-00 | 2 | VIS | M4 X 1.7 | | No | |
| 26 | N505911 | 1 | S/E SEMELLE | METRIC | | No | |
| 28 | N499343 | 1 | S/E MOTEUR ET INTERRUPTEUR | | | No | GB |
| 28 | N499343 | 1 | S/E MOTEUR ET INTERRUPTEUR | | | No | QW |
| 28 | N499343 | 1 | S/E MOTEUR ET INTERRUPTEUR | | | No | XE |
| 34 | 145343-01 | 1 | RONDELLE PINCE EXT | | | No | GB |
| 34 | 145343-01 | 1 | RONDELLE PINCE EXT | | | No | QW |
| 34 | N123200 | 1 | COLLET EXTBRIEUR | XE - 20MM ID BLADE | | No | XE |
| 35 | N120426 | 1 | ARRET | | | No | |
| 36 | N084137 | 1 | RONDELLE PINCE INT | | | No | |
| 37 | N100006 | 1 | RESSORT | | | No | |
| 38 | N090570 | 1 | LEVIER DE VERROUILLAGE | | | No | |
| 39 | N100123 | 1 | RESSORT | | | No | |
| 40 | 385915-04 | 4 | VIS | | | No | |
| 42 | N504210 | 1 | S/ENS INDUIT | 18V | | No | GB |
| 42 | N504210 | 1 | S/ENS INDUIT | 18V | | No | QW |

Nomenclature DCS570 SCIE CIRCULAIRE SANS FIL 1

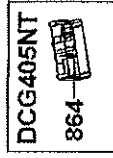
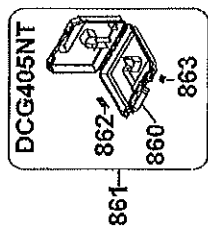
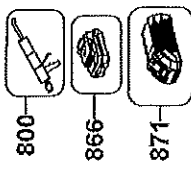
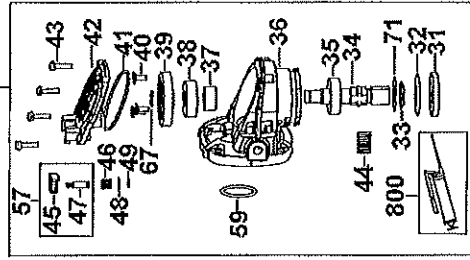
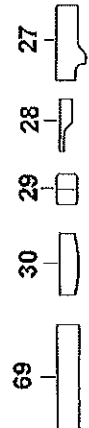
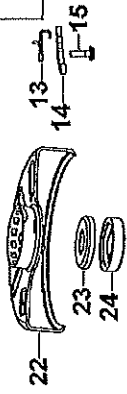
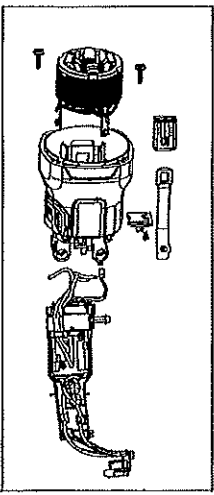
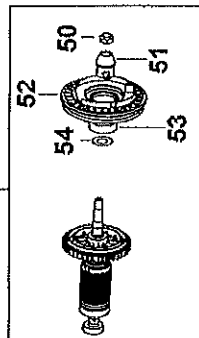
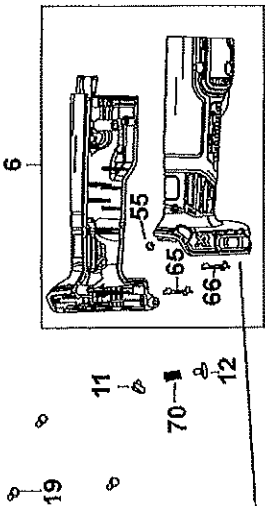
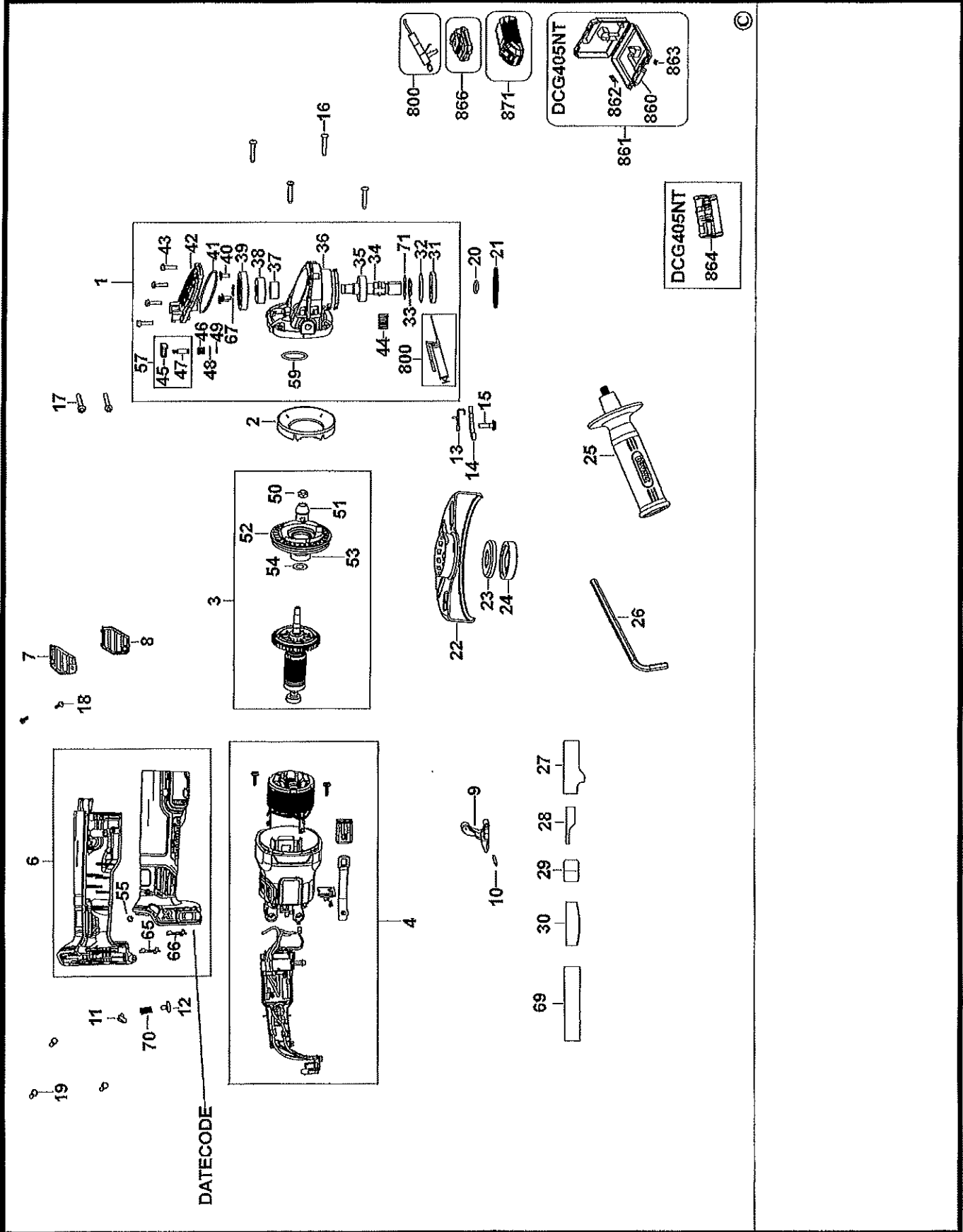
| Articl | Référence | Qté | Désignation pièce | Désignation générale | Autre information | Instructions de No | Pays |
|--------|-----------|-----|--------------------|----------------------|-------------------|--------------------|------|
| 42 | N504210 | 1 | S/ENS INDUIT | 18V | | No | XE |
| 44 | 098094-13 | 1 | VIS | | | No | |
| 45 | N094953 | 1 | LEVIER | | | No | |
| 46 | N086628 | 1 | LEVIER | | | No | |
| 47 | N361499 | 1 | JOINT TORIQUE | | | No | |
| 48 | N490068 | 1 | PLAQUE SIGNALETI | EURO | | No | GB |
| 48 | N490068 | 1 | PLAQUE SIGNALETI | EURO | | No | QW |
| 48 | N490068 | 1 | PLAQUE SIGNALETI | EURO | | No | XE |
| 51 | N420031 | 1 | ARBRE | | | No | |
| 52 | N434869 | 1 | RONDELLE | | | No | |
| 53 | N421358 | 1 | COUVERCLE | LED | | No | |
| 54 | N034545 | 4 | VIS | | | No | |
| 55 | 330045-14 | 1 | VIS | M5 x 16mm - T25 | | No | |
| 56 | N422878 | 1 | BOUTON SECU.LOCKOF | | | No | |
| 57 | N433343 | 1 | RESSORT | | | No | |
| 58 | N363247 | 1 | DIODE LUMINESCENTE | | | No | |
| 61 | N447499 | 1 | RONDELLE FIBRE | | | No | |
| 62 | N461735 | 1 | RESSORT | | | No | |
| 63 | 90504014 | 1 | CABLE TIE | 400 X 4 X 1.3 | | No | |
| 64 | 098128-90 | 1 | BOULON | | | No | |
| 65 | N094731 | 1 | VIS | | | No | |
| 66 | 145347-00 | 1 | LEVIER | | | No | |
| 67 | N117921 | 1 | PIECE DETACHEE | | | No | |
| 68 | N122099 | 1 | BLOC | | | No | |
| 70 | N493688 | 1 | CLE | | | No | |
| 71 | N074939 | 1 | PROTECTION | | | No | GB |
| 71 | N074939 | 1 | PROTECTION | | | No | QW |
| 71 | N074939 | 1 | PROTECTION | | | No | XE |
| 72 | N287119 | 1 | VIS | | | No | |
| 75 | N168420 | 1 | MOUSSE | | | No | |
| 76 | N108974 | 1 | MOUSSE | | | No | |
| 77 | 370748 | 2 | VIS | No 6 x 12.7mm | | No | |
| 81 | N498793 | 1 | PLAQUE DE FIRME | 18V | | No | GB |

Nomenclature DCS570 SCIE CIRCULAIRE SANS FIL 1

| Articl | Référence | Qté | Désignation pièce | Désignation générale | Autre information | Instructions de No | Pays |
|--------|-------------|-----|-----------------------------|----------------------|-------------------|--------------------|------|
| 81 | N498793 | 1 | PLAQUE DE FIRME | 18V | | No | QW |
| 81 | N498793 | 1 | PLAQUE DE FIRME | 18V | | No | XE |
| 82 | N522902 | 1 | ETIQUETTE | BRUSHLESS | | No | GB |
| 82 | N522902 | 1 | ETIQUETTE | BRUSHLESS | | No | QW |
| 82 | N522902 | 1 | ETIQUETTE | BRUSHLESS | | No | XE |
| 83 | N466984 | 1 | ETIQUETTE | BRAKE | | No | |
| 85 | 058287-00 | 1 | RESSORT | | | No | |
| 800 | 583534-00 | 1 | GRAISSE 50 GMS | Rheolube 380G1 | | No | |
| 860 | H1400196008 | 1 | POIGNEE | | DCS575NT | No | |
| 861 | N445186 | 1 | BOITE KIT | TSTAK VI | DCS575NT | No | |
| 862 | H1500082520 | 2 | VERROU | | DCS575NT | No | |
| 863 | P910190 | 2 | VERROU | | DCS575NT | No | |
| 864 | N498615 | 1 | PLATEAU | | DCS575NT | No | |
| 866 | N394624 | 1 | BATTERIE 18V - 5.0AH - 90WH | Li-Ion - DCB184-XJ | DCS570P1+ | No | GB |
| 866 | N394624 | 1 | BATTERIE 18V - 5.0AH - 90WH | Li-Ion - DCB184-XJ | P2 DCS570P1+ | No | QW |
| 866 | N394627 | 1 | BATTERIE 18V - 5.0AH - 90WH | Li-Ion - DCB184-XE | P2 DCS570P1 | No | XE |
| 871 | N450537 | 1 | CHARGEUR 10.8V - 18V | DCB115-GB - 4.0A | | No | GB |
| 871 | N450536 | 1 | CHARGEUR (EURO) | DCB115-QW - 4.0A | | No | QW |
| 871 | N450538 | 1 | CHARGEUR 10.8V - 18V | DCB115-XE - 4.0A | | No | XE |

DCG405

MEULEUSE PETIT DIAMÈTRE 1



©

Nomenclature DCG405 MEULEUSE PETIT DIAMÈTRE 1

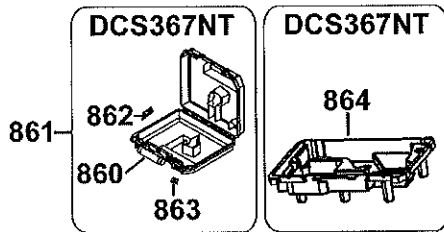
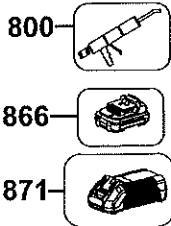
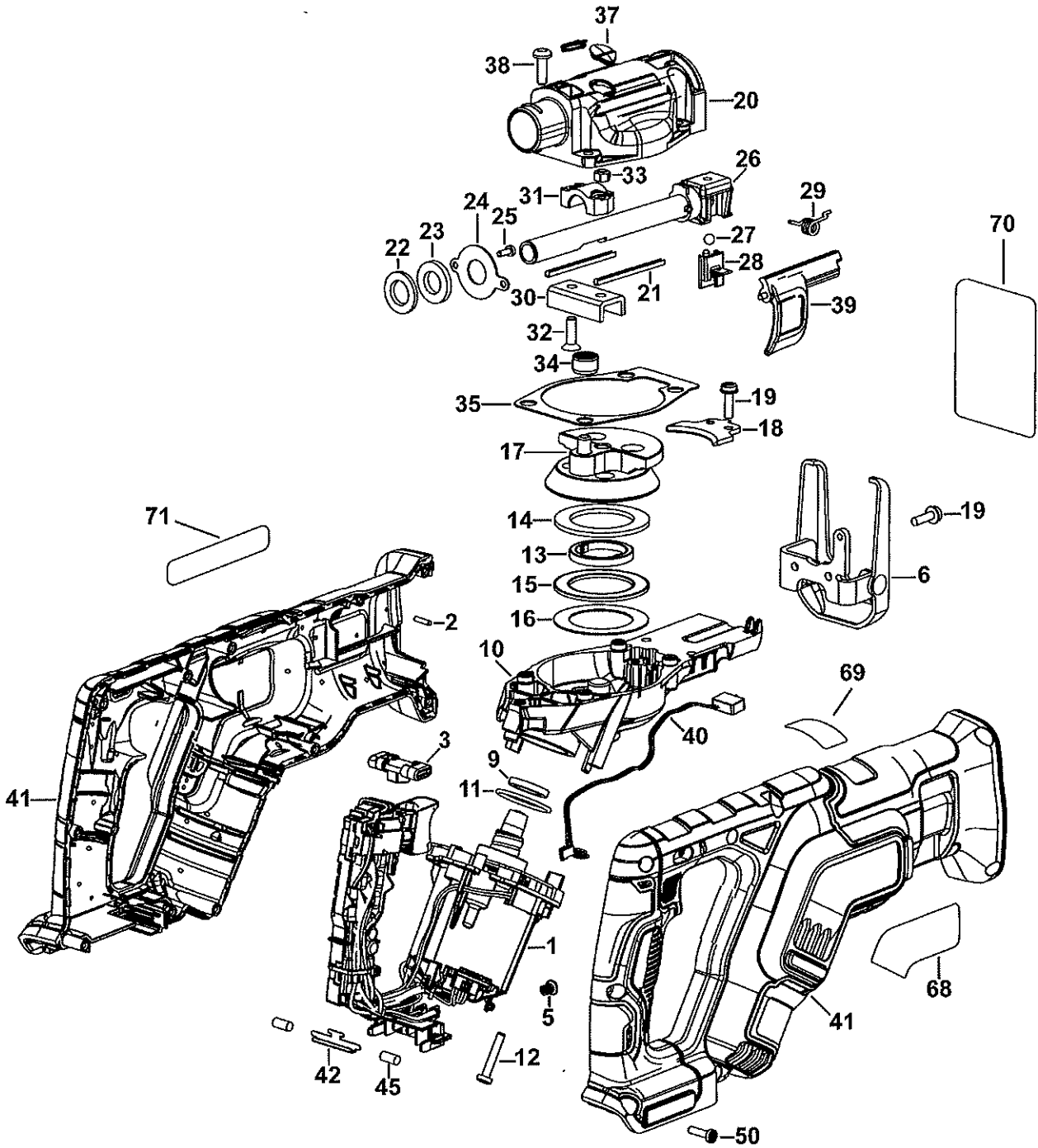
| Articl | Référence | Qté | Désignation pièce | Désignation générale | Autre information | Instructions de No | Pays |
|--------|-----------|-----|----------------------------|----------------------|-------------------|--------------------|------|
| 1 | N509540 | 1 | BOITE DE VITESSE | M14 | | No | |
| 2 | N478435 | 1 | DEFLECTEUR | | | No | |
| 3 | N537673 | 1 | S/ENS INDUIT | | | No | GB |
| 3 | N537673 | 1 | S/ENS INDUIT | | | No | QW |
| 3 | N537673 | 1 | S/ENS INDUIT | | | No | XJ |
| 4 | N551810 | 1 | S/E MOTEUR ET INTERRUPTEUR | BRUSHLESS | | No | GB |
| 4 | N551810 | 1 | S/E MOTEUR ET INTERRUPTEUR | BRUSHLESS | | No | QW |
| 4 | N551810 | 1 | S/E MOTEUR ET INTERRUPTEUR | BRUSHLESS | | No | XJ |
| 6 | N534719 | 1 | CARCASSE (PAIRE) | | | No | |
| 7 | N493573 | 1 | COUVERCLE | LH | | No | |
| 8 | N493572 | 1 | COUVERCLE | RH | | No | |
| 9 | N497112 | 1 | LEVIER | SLIDER | | No | |
| 10 | N489903 | 1 | GOUPILLE | | | No | |
| 11 | N467560 | 1 | PLAQUE | | | No | |
| 12 | N122099 | 1 | BLOC | | | No | |
| 13 | N105579 | 1 | RESSORT | | | No | |
| 14 | N136731 | 1 | LEVIER | | | No | |
| 15 | N137733 | 1 | VIS | M4 X 0.7 TRIROUNDULA | | No | |
| 16 | 330065-31 | 4 | RESSORT | M4 x 22 - T15 | | No | |
| 17 | 330065-33 | 2 | VIS | M4 X 34 | | No | |
| 18 | N042665 | 2 | VIS | M3 X 10 | | No | |
| 19 | 330019-04 | 3 | VIS | M3.63 x 19mm | | No | |
| 20 | N420261 | 1 | JOINT TORIQUE | | | No | |
| 21 | N135116 | 1 | RONDELLE ELASTIQUE | | | No | |
| 22 | N501323 | 1 | PROTECTEUR | 125MM | | No | |
| 23 | 391969-00 | 1 | COLLET INTERIEUR | | | No | |
| 24 | N484250 | 1 | COLLET EXTERIEUR | M14 EURO | | No | |
| 25 | N421925 | 1 | POIGNEE LATERALE | | | No | |
| 26 | N107295 | 1 | CLE 6 PANS 6MM | | | No | |
| 27 | N499035 | 1 | PLAQUE SIGNALETI | EURO | | No | GB |
| 27 | N499035 | 1 | PLAQUE SIGNALETI | EURO | | No | QW |
| 27 | N499035 | 1 | PLAQUE SIGNALETI | EURO | | No | XJ |
| 28 | N499164 | 1 | ETIQUETTE | BRUSHLESS | | No | |

Nomenclature DCG405 MEULEUSE PETIT DIAMÈTRE 1

| Articl | Référence | Qté | Désignation pièce | Désignation générale | Autre information | Instructions de | Pays |
|--------|-----------|-----|--------------------|----------------------|-------------------|-----------------|------|
| | | | | | | No | |
| 29 | N499037 | 1 | ETIQUETTE | BRAKE | | No | |
| 30 | N602440 | 1 | ETIQUETTE | | | No | |
| 31 | N487316 | 1 | RONDELLE | M14 | | No | |
| 32 | N451305 | 1 | RONDELLE ELASTIQUE | | | No | |
| 33 | N474213 | 1 | ENTRETOISE | | | No | |
| 34 | N487315 | 1 | BROCHE | M14 | | No | |
| 35 | N150961 | 1 | PALIER | | | No | |
| 36 | N134203 | 1 | CARTER DE BOITE | | | No | |
| 37 | N095815 | 1 | DOUILLE | | | No | |
| 38 | N150961 | 1 | PALIER | | | No | |
| 39 | N097361 | 1 | PIGNON | 32T | | No | |
| 40 | N118088 | 3 | VIS | M3 X 0.5 | | No | |
| 41 | N094024 | 1 | JOINT TORIQUE | | | No | |
| 42 | N116180 | 1 | COUVERCLE DE BOITE | | | No | |
| 43 | N122904 | 4 | VIS | M3.5 X 0.6 | | No | |
| 44 | N489769 | 1 | FICHE | RUBBER | | No | |
| 45 | N126105 | 1 | BOUTON | | | No | |
| 46 | N092954 | 1 | RESSORT | | | No | |
| 47 | N114592 | 1 | VERROU DE BROCHE | | | No | |
| 48 | N447838 | 1 | RONDELLE | | | No | |
| 49 | N094012 | 1 | JOINT TORIQUE | | | No | |
| 50 | 604484-00 | 1 | ECROU | M6 | | No | |
| 51 | N095840 | 1 | PIGNON | 9T | | No | |
| 52 | N478436 | 1 | STATOR | | | No | |
| 53 | N214432 | 1 | PALIER | 8 x 22 x 7 | | No | |
| 54 | N213812 | 1 | RONDELLE | | | No | |
| 55 | 330021-11 | 2 | ECROU FREIN | M3x0.5 | | No | |
| 57 | N181767 | 1 | VERROU DE BROCHE | | | No | |
| 59 | N119639 | 1 | JOINT TORIQUE | | | No | |
| 65 | N438439 | 1 | INSERT | ANTI VIB INSERT ASS | | No | |
| 66 | N438438 | 1 | INSERT | ANTI VIB COVER | | No | |
| 67 | 444793-00 | 1 | CIRCLIPS | | | No | |
| 69 | N520387 | 1 | ETIQUETTE INFO. | | | No | |

Nomenclature DCG405 MEULEUSE PETIT DIAMÈTRE 1

| Artiel | Référence | Qté | Désignation pièce | Désignation générale | Autre information | Instructions de No | Pays |
|--------|-------------|-----|-----------------------------|----------------------|-------------------|--------------------|------|
| 70 | N461735 | 1 | RESSORT | | | No | |
| 71 | 638229-00 | 1 | RONDELLE | | | No | |
| 800 | 583534-00 | 1 | GRAISSE 50 GMS | Rheolube 380G1 | | No | |
| 860 | H1400196008 | 2 | POIGNEE | | DCG405NT | No | |
| 861 | N279261 | 1 | BOITE KIT | DWST1-17807 T-STAK11 | DCG405NT | No | |
| 862 | H1500082520 | 2 | VERROU | | DCG405NT | No | |
| 863 | P910190 | 2 | VERROU | | DCG405NT | No | |
| 864 | N505549 | 1 | INSERT | KITBOX TRAY | DCG405NT | No | |
| 866 | N394624 | 1 | BATTERIE 18V - 5.0AH - 90WH | Li-Ion - DCB184-XJ | DCG405P2 | No | GB |
| 866 | N394624 | 1 | BATTERIE 18V - 5.0AH - 90WH | Li-Ion - DCB184-XJ | DCG405P2 | No | QW |
| 866 | N394627 | 1 | BATTERIE 18V - 5.0AH - 90WH | Li-Ion - DCB184-XE | DCG405P2 | No | XE |
| 866 | N394624 | 1 | BATTERIE 18V - 5.0AH - 90WH | Li-Ion - DCB184-XJ | DCG405P2 | No | XJ |
| 871 | N450537 | 1 | CHARGEUR 10,8V - 18V | DCB115-GB - 4.0A | DCG405P2 | No | GB |
| 871 | N450536 | 1 | CHARGEUR (EURO) | DCB115-QW - 4.0A | DCG405P2 | No | QW |
| 871 | N450538 | 1 | CHARGEUR 10,8V - 18V | DCB115-XE - 4.0A | DCG405P2 | No | XE |



Nomenclature DCS367 SCIE EGOINE SANS FIL 10

| Articl | Référence | Qté | Désignation pièce | Désignation générale | Autre information | Instructions de No | Pays |
|--------|-----------|-----|----------------------------|----------------------|-------------------|--------------------|------|
| 1 | N521971 | 1 | S/E MOTEUR ET INTERRUPTEUR | BRUSHLESS | | No | GB |
| 1 | N521971 | 1 | S/E MOTEUR ET INTERRUPTEUR | BRUSHLESS | | No | QW |
| 1 | N521971 | 1 | S/E MOTEUR ET INTERRUPTEUR | BRUSHLESS | | No | XE |
| 2 | N071836 | 1 | VIS | | | No | |
| 3 | N454084 | 1 | BOUTON SECU.LOCKOF | | | No | |
| 5 | N453948 | 1 | RESSORT | | | No | |
| 6 | N226256 | 1 | S/E SEMELLE | | | No | |
| 9 | N143636 | 1 | JOINT FEUTRE | | | No | |
| 10 | N435110 | 1 | BOITE DE VITESSE | | | No | |
| 11 | N129171 | 1 | JOINT TORIQUE | 27.5ID X 2 70 DURO | | No | |
| 12 | N130874 | 3 | VIS | T20 No8 x1 pan | | No | |
| 13 | N143177 | 1 | ENTRETOISE | | | No | |
| 14 | N124072 | 1 | ROND.DE FROTTEMENT | | | No | |
| 15 | N115646 | 1 | RONDELLE | | | No | |
| 16 | N115647 | 1 | ROND.DE FROTTEMENT | | | No | |
| 17 | N406599 | 1 | S/ENS PIGNON | | | No | |
| 18 | N115642 | 1 | PLAQUE DE FRICTION | | | No | |
| 19 | 142940-00 | 4 | VIS | | | No | |
| 20 | N195829 | 1 | S/E PALIER INTERM. | | | No | |
| 21 | 621979-00 | 2 | BANDE | | | No | |
| 22 | 618733-00 | 1 | JOINT | | | No | |
| 23 | 618477-00 | 1 | JOINT FEUTRE | | | No | |
| 24 | N020720 | 1 | COUVERCLE | | | No | |
| 25 | 330045-43 | 1 | VIS | | | No | |
| 26 | N026647 | 1 | S/ENS AXE | | | No | |
| 27 | 000903-00 | 1 | BILLE | 5.5mm | | No | |
| 28 | N252639 | 1 | COULISSE | | | No | |
| 29 | N426742 | 1 | RESSORT | | | No | |
| 30 | 658115-00 | 1 | CHAPE | | | No | |
| 31 | 617000-00 | 1 | SELLE | | | No | |
| 32 | N191614 | 2 | VIS | M5 X 17.5 T20 | | No | |
| 33 | N191590 | 2 | ECROU FREIN | M5 X 0.8P | | No | |
| 34 | N021857 | 1 | PALIER | | | No | |

Nomenclature DCS367 SCIE EGOINE SANS FIL 10

| Articl | Référence | Qté | Désignation pièce | Désignation générale | Autre information | Instructions de No | Pays |
|--------|-----------|-----|-----------------------------|----------------------|-------------------|--------------------|------|
| 35 | N115641 | 1 | JOINT | | | No | |
| 37 | N131037 | 2 | COUVERCLE | | | No | |
| 38 | 144457-02 | 4 | VIS | | | No | |
| 39 | N412063 | 1 | S/ENS LEVIER | | | No | |
| 40 | N348279 | 1 | DIODE LUMINESCENTE | | | No | |
| 41 | N519013 | 1 | CARCASSE (PAIRE) | | | No | |
| 42 | N467560 | 1 | PLAQUE | | | No | |
| 45 | 949638-02 | 2 | AMORTISSEUR | | | No | |
| 50 | 330019-02 | 11 | VIS | M3.5X13 T15 | | No | |
| 68 | N744173 | 1 | PLAQUE SIGNALETI | | | No | GB |
| 68 | N744173 | 1 | PLAQUE SIGNALETI | | | No | QW |
| 68 | N744173 | 1 | PLAQUE SIGNALETI | | | No | XE |
| 69 | N454095 | 1 | ETIQUETTE | BRUSHLESS | | No | |
| 70 | 632151-00 | 1 | ETIQUETTE | 4 POS BLADE | | No | |
| 71 | N454100 | 1 | PLAQUE DE FIRME | 18V XR | | No | GB |
| 71 | N454100 | 1 | PLAQUE DE FIRME | 18V XR | | No | QW |
| 71 | N454100 | 1 | PLAQUE DE FIRME | 18V XR | | No | XE |
| 800 | 286436-00 | 1 | GRAISSE | 500 gms | | No | |
| 860 | N615998 | 1 | POIGNEE | | | No | |
| 861 | N615986 | 1 | BOITE KIT | | | No | |
| 862 | N409477 | 2 | VERROU | | | No | |
| 863 | N409476 | 2 | VERROU | | | No | |
| 864 | N505294 | 1 | INSERT | | KITBOX | No | |
| 866 | N394624 | 1 | BATTERIE 18V - 5.0AH - 90WH | Li-Ion - DCB184-XJ | | No | GB |
| 866 | N394624 | 1 | BATTERIE 18V - 5.0AH - 90WH | Li-Ion - DCB184-XJ | | No | QW |
| 871 | N450537 | 1 | CHARGEUR 10.8V - 18V | DCB115-GB - 4.0A | | No | GB |
| 871 | N450536 | 1 | CHARGEUR (EURO) | DCB115-QW - 4.0A | | No | QW |
| 871 | N450538 | 1 | CHARGEUR 10.8V - 18V | DCB115-XE - 4.0A | | No | XE |

Nomenclature DCH273 MARTEAU ROTATIF 2

| Articl | Référence | Qté | Désignation pièce | Désignation générale | Autre information | Instructions de | Pays |
|--------|-----------|-----|--------------------|----------------------|-------------------|-----------------|------|
| | | | | | | No | |
| 1 | 323489-00 | 1 | COUVERCLE | | | No | |
| 2 | 579212-00 | 1 | BAGUE | | | No | |
| 3 | N542554 | 1 | TUBE | | | No | |
| 4 | 583890-00 | 1 | BILLE 7MM | | | No | |
| 5 | 578387-00 | 1 | RONDELLE | | | No | |
| 6 | 871690 | 1 | RESSORT | | | No | |
| 7 | 590306-00 | 1 | JOINT FEUTRE | | | No | |
| 8 | N339199 | 1 | COUVERCLE DE BOITE | | | No | |
| 10 | N190510 | 1 | SELECTEUR | | | No | |
| 11 | 324006-16 | 1 | VIS | | | No | |
| 12 | N034134 | 1 | COUVERCLE | | | No | |
| 13 | N074923 | 1 | RESSORT | | | No | |
| 14 | N190511 | 1 | BOUTON DE DEVERROU | | | No | |
| 19 | N149956 | 1 | ROULT A AIGUILLES | | | No | |
| 20 | 488105-00 | 1 | CLIP | | | No | |
| 21 | N043423 | 1 | RONDELLE | | | No | |
| 30 | 589346-00 | 1 | RESSORT | | | No | |
| 31 | N410822 | 1 | DOUILLE | | | No | |
| 32 | N528827 | 1 | PIGNON | | | No | |
| 33 | 479478-00 | 1 | PALIER, BILLE | 6906 | | No | |
| 34 | N043424 | 1 | RONDELLE | | | No | |
| 35 | 488390-00 | 1 | CLIP | SW26 1.5mm | | No | |
| 36 | N477771 | 1 | BROCHE | | | No | |
| 37 | N394276 | 1 | JOINT TORIQUE | 13 X 4 | | No | |
| 38 | 487124-01 | 1 | POUSSOIR | | | No | |
| 39 | N470388 | 1 | TUBE GUIDE | | | No | |
| 40 | N531681 | 1 | RONDELLE | | | No | |
| 41 | 580990-00 | 1 | JOINT TORIQUE | | | No | |
| 42 | N294259 | 1 | BAGUE | 24.3 X 2MM DIA | | No | |
| 43 | N178363 | 1 | PISTON | 19mm | | No | |
| 44 | N114827 | 1 | JOINT TORIQUE | Dynamic 13x3 | | No | |
| 45 | N468461 | 1 | PISTON | | | No | |
| 46 | 492823-00 | 1 | BILLE DE BROCHE | | | No | |

Nomenclature DCH273 MARTEAU ROTATIF 2

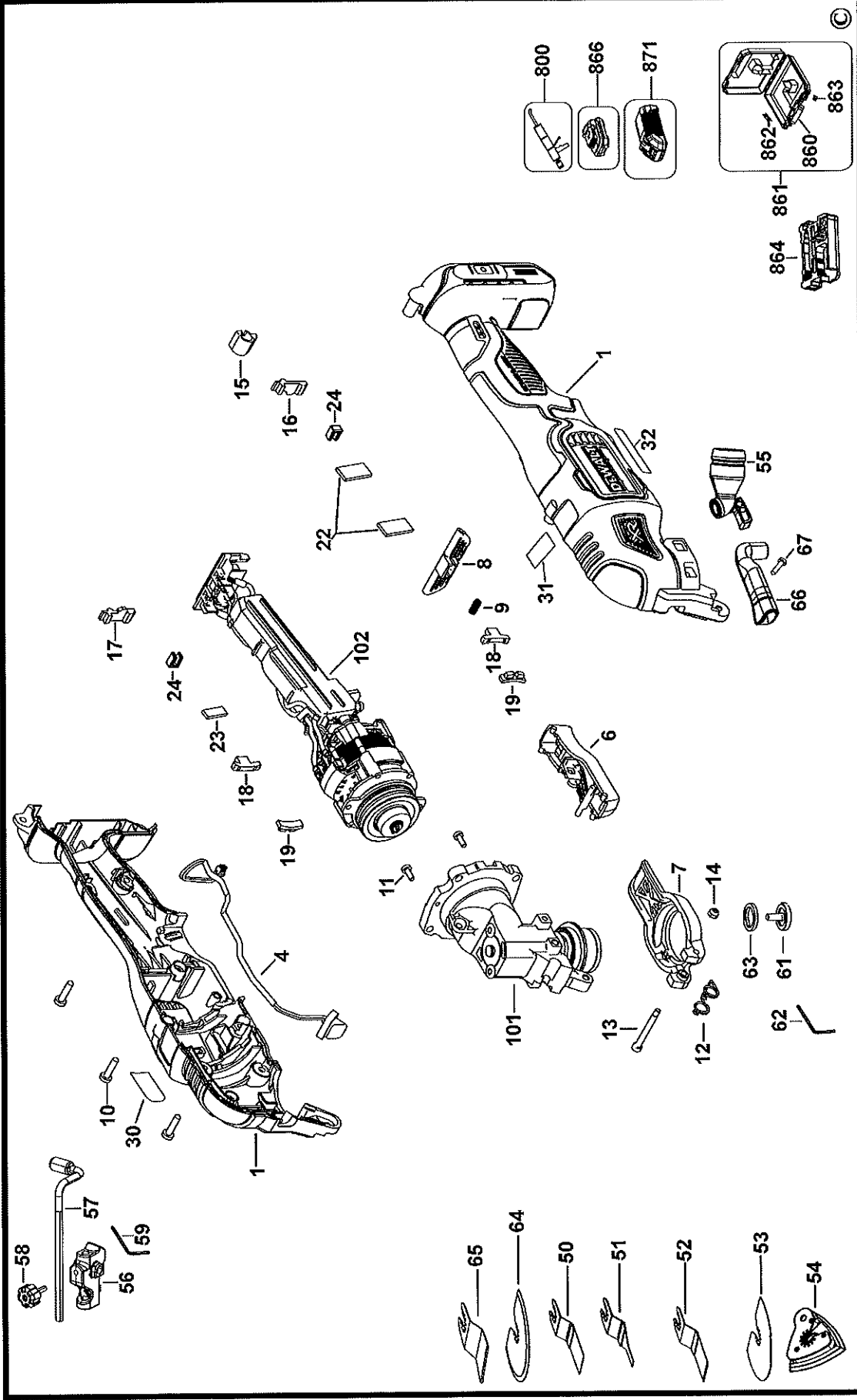
| Articl | Référence | Qté | Désignation pièce | Désignation générale | Autre information | Instructions de No | Pays |
|--------|-----------|-----|----------------------------|----------------------|-------------------|--------------------|------|
| 47 | N288223 | 1 | VILEBREQUIN | | | No | |
| 48 | N168103 | 2 | PALIER | | | No | |
| 49 | N466046 | 1 | RESSORT DE COMPRESSION | | | No | |
| 50 | N150085 | 2 | COLLIER | | | No | |
| 51 | N382169 | 1 | CAPOT MOTEUR | | | No | |
| 52 | N108992 | 1 | RONDELLE | | | No | |
| 53 | 490286-00 | 1 | RESSORT | | | No | |
| 54 | N323159 | 1 | JOINT | | | No | |
| 55 | 330019-81 | 2 | VIS | M4 X 30 T20 | | No | |
| 56 | N528795 | 1 | ARBRE | | | No | |
| 57 | N719465 | 1 | S/ENS BROCHE | Upgrade Kit | | No | |
| 60 | 323763-10 | 2 | JONC D'ARRET | 8 | | No | |
| 61 | N450704 | 2 | S/ENS PIGNON | | | No | |
| 62 | N621023 | 2 | PALIER | | | No | |
| 63 | 590312-00 | 1 | GOUPILLE | | | No | |
| 64 | 575022-00 | 1 | PLAQUE | | | No | |
| 66 | 575032-00 | 2 | GOUPILLE | | | No | |
| 68 | N416466 | 1 | RESSORT | | | No | |
| 69 | N421939 | 1 | S/ENS POIGNEE | | | No | |
| 70 | 330019-80 | 24 | VIS | M4.06x18 | | No | |
| 71 | N421951 | 1 | HOUSING GEARBOX | Inc 51 | | No | |
| 72 | N051450 | 1 | DIODE LUMINESCENTE | | | No | |
| 73 | N094649 | 1 | PLAQUE | | | No | |
| 74 | N122099 | 1 | BLOC | | | No | |
| 75 | N463936 | 1 | S/E MOTEUR ET INTERRUPTEUR | | | No | A9 |
| 75 | N463936 | 1 | S/E MOTEUR ET INTERRUPTEUR | | | No | B1 |
| 75 | N463936 | 1 | S/E MOTEUR ET INTERRUPTEUR | | | No | GB |
| 75 | N463936 | 1 | S/E MOTEUR ET INTERRUPTEUR | | | No | JP |
| 75 | N463936 | 1 | S/E MOTEUR ET INTERRUPTEUR | | | No | KR |
| 75 | N715619 | 1 | S/E MOTEUR ET INTERRUPTEUR | | | No | QU |
| 75 | N463936 | 1 | S/E MOTEUR ET INTERRUPTEUR | | | No | QW |
| 75 | N463936 | 1 | S/E MOTEUR ET INTERRUPTEUR | | | No | TW |
| 75 | N463936 | 1 | S/E MOTEUR ET INTERRUPTEUR | | | No | XE |

Nomenclature DCH273 MARTEAU ROTATIF 2

| Articl | Référence | Qté | Désignation pièce | Désignation générale | Autre information | Instructions de No | Pays |
|--------|-------------|-----|----------------------------|----------------------|-------------------|--------------------|------|
| 75 | N463936 | 1 | S/E MOTEUR ET INTERRUPTEUR | | | | XJ |
| 76 | N072124 | 1 | LEVIER | | | No | |
| 77 | 582865-00 | 1 | FILTRE | | | No | |
| 78 | 1006725-00 | 1 | RONDELLE DE CALAGE | 12x18x1.2 | | No | |
| 79 | 323711-34 | 1 | JOINT TORIQUE | | | No | |
| 80 | 575025-00 | 1 | LEVIER | | | No | |
| 81 | 330065-04 | 2 | VIS | | | No | |
| 85 | N119679 | 1 | RESSORT | | | No | |
| 90 | N376306 | 1 | S/ENS RESSORT | | | No | |
| 91 | N389213 | 1 | CLIP | | | No | |
| 92 | N400088 | 1 | COUVERCLE | | | No | |
| 93 | N461541 | 1 | CROCHET | Belt | | No | |
| 94 | N400082 | 1 | RESSORT | | | No | |
| 95 | N400130 | 1 | VIS | M5x8 | | No | |
| 100 | N112156 | 1 | S/E POIGNEE LATER. | | | No | |
| 101 | N290613 | 1 | JAUGE PROFONDEUR | | | No | |
| 106 | N415919 | 1 | ETIQUETTE | 20v Brushless | | No | |
| 800 | 870889-03 | 1 | GRAISSE | 20g Paragon EP 1/2 | | No | |
| 801 | 487130-04 | 1 | GRAISSE 10 GMS | GLK-FLUID249NLGI000 | | No | |
| 821 | N643693 | 1 | PLAQUE SIGNALETI | | | No | A9 |
| 821 | N642462 | 1 | PLAQUE SIGNALETI | | | No | GB |
| 821 | N643708 | 1 | PLAQUE SIGNALETI | | | No | JP |
| 821 | N643706 | 1 | PLAQUE SIGNALETI | | | No | KR |
| 821 | N642462 | 1 | PLAQUE SIGNALETI | | | No | QW |
| 821 | N642462 | 1 | PLAQUE SIGNALETI | | | No | XE |
| 821 | N642462 | 1 | PLAQUE SIGNALETI | | | No | XJ |
| 826 | N196274 | 1 | ETIQUETTE | Perform & Protect | | No | |
| 836 | 596005-99 | 1 | S.T.CIRCLIP REMOVER | | | No | |
| 837 | 596006-99 | 1 | S.T.CIRCLIP REMOVER | | | No | |
| 838 | 596007-99 | 1 | S.T.CIRCLIP INSERTER | | | No | |
| 860 | H1400196008 | 1 | POIGNEE | | | No | |
| 861 | 576657-05 | 1 | BOITE KIT | | | No | |
| 861 | N279261 | 1 | BOITE KIT | DWST1-17807 T-STAK11 | | No | XE |

Nomenclature DCH273 MARTEAU ROTATIF 2

| Articl | Référence | Qté | Désignation pièce | Désignation générale | Autre information | Instructions de No | Pays |
|--------|-------------|-----|-----------------------------|----------------------|-------------------|--------------------|------|
| 861 | N279261 | 1 | BOITE KIT | DWST1-17807 T-STAK11 | | No | XJ |
| 862 | H1500082520 | 2 | VERROU | | | No | |
| 863 | P910190 | 2 | VERROU | | | No | |
| 866 | N436213 | 1 | BATTERIE 18V - 5.0AH - 90WH | DCB184B BLUETOOTH | P2B | No | GB |
| 866 | N436213 | 1 | BATTERIE 18V - 5.0AH - 90WH | DCB184B BLUETOOTH | P2B | No | QW |
| 866 | N443901 | 1 | BATTERIE 18V - 5.0AH - 90WH | DCB184B-XE BLUETOOTH | P2B | No | XE |
| 871 | DCB101-NA | 1 | CHARGEUR DE BATTERIE | | | No | |
| 871 | DCB105-KR | 1 | S/E CHARGEUR | KR | | No | |
| 871 | N450537 | 1 | CHARGEUR 10.8V - 18V | DCB115-GB - 4.0A | | No | GB |
| 871 | N450537 | 1 | CHARGEUR 10.8V - 18V | DCB115-GB - 4.0A | DCH273P2 | No | GB |
| 871 | N450536 | 1 | CHARGEUR (EURO) | DCB115-QW - 4.0A | DCH723P2T | No | QW |
| 871 | N450536 | 1 | CHARGEUR (EURO) | DCB115-QW - 4.0A | | No | QW |



Nomenclature DCS355 MULTITOOl 1

| Articl | Référence | Qté | Désignation pièce | Désignation générale | Autre information | Instructions de No | Pays |
|--------|-----------|-----|----------------------|----------------------|-------------------|--------------------|------|
| 1 | N281139 | 1 | CARCASSE (PAIRE) | | | No | |
| 4 | N233819 | 1 | DIODE LUMINESCENTE | | | No | |
| 6 | N255379 | 1 | GACHETTE | | | No | |
| 7 | N254620 | 1 | S/ENS PINCE | | | No | |
| 8 | NI63918 | 1 | BOUTON VERROUILLABLE | | | No | |
| 9 | NI65498 | 1 | RESSORT | | | No | |
| 10 | 330019-03 | 11 | VIS | M3.5 x 16 | | No | |
| 11 | 330045-43 | 2 | VIS | | | No | |
| 12 | NI40357 | 1 | RESSORT | | | No | |
| 13 | NI75484 | 1 | VIS | | | No | |
| 14 | N243985 | 1 | ECROU | M3 X 0.5 | | No | |
| 15 | N238819 | 1 | BUTOIR | | | No | |
| 16 | N239159 | 1 | BUTOIR | FOOT | | No | |
| 17 | N239160 | 1 | BUTOIR | FOOT | | No | |
| 18 | N241039 | 2 | PATIN CAOUTCHOUC | MOTOR | | No | |
| 19 | N266442 | 2 | PATIN CAOUTCHOUC | MOTOR MOUNT | | No | |
| 22 | N328739 | 2 | PATIN CAOUTCHOUC | MODULE | | No | |
| 23 | N328740 | 1 | PATIN CAOUTCHOUC | HEAT SINK | | No | |
| 24 | N328741 | 2 | PATIN CAOUTCHOUC | BLOCK | | No | |
| 30 | N325119 | 1 | PLAQUE SIGNALETI | EURO | | No | GB |
| 30 | N325119 | 1 | PLAQUE SIGNALETI | EURO | | No | QW |
| 30 | N346859 | 1 | PLAQUE SIGNALETI | XE | | No | XE |
| 31 | N306579 | 1 | ETIQUETTE | | | No | |
| 32 | N306040 | 1 | PLAQUE DE FIRME | | | No | |
| 50 | N333599 | 1 | LAME | | | No | |
| 51 | N333619 | 1 | LAME | | | No | |
| 52 | N275319 | 1 | LAME | | | No | |
| 53 | N251926 | 1 | LAME | | | No | |
| 54 | N271240 | 1 | PLATEAU | EURO | | No | |
| 55 | N277679 | 1 | MOUSSE | | | No | |
| 56 | N275350 | 1 | S/E BLOC | | | No | |
| 57 | N275341 | 1 | JAUGE PROFONDEUR | | | No | |
| 58 | N278801 | 1 | S/ENS BOUTON | | | No | |

Nomenclature DCS355 MULTITOOL 1

| Articl | Référence | Qté | Désignation pièce | Désignation générale | Autre information | Instructions de No | Pays |
|--------|-------------|-----|-----------------------------|----------------------|-------------------|--------------------|------|
| 59 | N285879 | 1 | CLE 6 PANS | | | No | |
| 61 | N544197 | 1 | COLLET EXTERIEUR | | | No | |
| 62 | 90584745 | 1 | CLE SPECIALE | | | No | |
| 63 | N440293 | 1 | FLASQUE | | | No | |
| 64 | N342939 | 1 | BLADE - CARBIDE | | | No | |
| 65 | N251931 | 1 | BLADE - RIGID SCRAPER | | | No | |
| 66 | N278060 | 1 | MOUSSE | | | No | |
| 67 | N291362 | 1 | VIS | W/WASHER | | No | |
| 101 | N341719 | 1 | S/ENS TETE | | | No | |
| 102 | N342741 | 1 | S/E MOTEUR 18V | | | No | GB |
| 102 | N342741 | 1 | S/E MOTEUR 18V | | | No | QW |
| 102 | N341720 | 1 | S/E MOTEUR | | | No | XE |
| 800 | 585381-00 | 1 | GRAISSE | | | No | |
| 860 | H1400196008 | 2 | POIGNEE | | DCS355NT | No | |
| 861 | N279261 | 1 | BOITE KIT | DWST1-17807 T-STAK11 | | No | |
| 862 | H1500082520 | 2 | VERROU | | | No | |
| 863 | P910190 | 2 | VERROU | | | No | |
| 864 | N286619 | 1 | MOUSSE | M2 KITBOX INSERT | | No | |
| 864 | MP16988 | 1 | INSERT | TSTAKII | DCS355NT | No | |
| 866 | N195933 | 1 | BATTERIE 18V - 4.0AH - 72WH | Li-Ion - DCB182-XJ | DCS355M1 | No | GB |
| 866 | N314783 | 1 | BATTERIE 18V - 2.0AH - 36WH | Li-Ion - DCB183-XJ | DCS355D1 | +No | GB |
| 866 | N314783 | 1 | BATTERIE 18V - 2.0AH - 36WH | Li-Ion - DCB183-XJ | DCS355D1 | +No | QW |
| 866 | N195933 | 1 | BATTERIE 18V - 4.0AH - 72WH | Li-Ion - DCB182-XJ | DCS355D2 | No | QW |
| 866 | N210873 | 1 | BATTERIE 18V - 4.0AH - 72WH | Li-Ion - DCB182-XE | DCS355M1 | No | XE |
| 866 | N342082 | 1 | BATTERIE 18V - 2.0AH - 36WH | Li-ion - DCB183-XE | DCS355M2 | No | XE |
| 871 | N450537 | 1 | CHARGEUR 10.8V - 18V | DCB115-GB - 4.0A | | No | GB |
| 871 | N450536 | 1 | CHARGEUR (EURO) | DCB115-QW - 4.0A | | No | QW |
| 871 | N126190 | 1 | CHARGEUR 10.8V - 18V | DCB105-XE | | No | XE |

CLOUEUSE DE FINITION 18V XR 16 GA DCN660, DCN661

Félicitations !

Vous avez choisi un outil DEWALT. Des années d'expertise dans le développement et l'innovation de ses produits ont fait de DEWALT, le partenaire privilégié des utilisateurs professionnels d'outils électriques.

Fiche technique

| | | DCN660 | DCN661 |
|--|------------------|----------------------|------------|
| Tension | V _{oc} | 18 | 18 |
| Type | | 2 | 2 |
| Type de batterie | | Li-ion | Li-ion |
| Puissance utile | | Sequential / Bump | Sequential |
| Angle du chargeur | | 20° | 20° |
| Attaches | | | |
| longueur | mm | 32 – 63 | 32 – 63 |
| diamètre de tige | mm | 1,6 | 1,6 |
| angle | | 20° | 20° |
| Poids (sans le bloc-piles) | kg | 2,4 | 2,4 |
| Énergie | J | 48 | 48 |
| Valeurs acoustiques et valeurs vibratoires (somme vectorielle triax) selon EN60745-2-16. | | | |
| L _{PA} (niveau d'émission de pression acoustique) | dB(A) | 83 | 83 |
| L _{WA} (niveau de puissance acoustique) | dB(A) | 94 | 94 |
| K (incertitude pour le niveau acoustique donné) | dB(A) | 3 | 3 |
| Valeur d'émission de vibration a _h = | m/s ² | 2,5 | 2,5 |
| Incertitude K = | m/s ² | <2,5 | <2,5 |

Le taux d'émission de vibrations indiqué dans ce feuillet informatif a été mesuré conformément à une méthode d'essai normalisé établie par EN60745, et peut être utilisé pour comparer un outil à un autre. Il peut également être utilisé pour effectuer une évaluation préliminaire de l'exposition.

⚠ AVERTISSEMENT : le taux d'émission de vibrations déclaré correspond aux applications principales de l'outil. Néanmoins, si l'outil est utilisé pour différentes applications ou est mal entretenu, ce taux d'émission de vibrations pourra varier. Ces éléments peuvent augmenter considérablement le niveau d'exposition sur la durée totale de travail.

Toute estimation du degré d'exposition à des vibrations doit également prendre en compte les heures où l'outil est mis hors tension ou lorsqu'il tourne sans effectuer aucune tâche. Ces éléments peuvent réduire sensiblement le degré d'exposition sur la durée totale de travail.

Identifier des mesures de sécurité supplémentaires pour protéger l'opérateur contre les effets nocifs des vibrations telles que : maintenance de l'outil et des accessoires, maintenir la température des mains élevée, organisation du travail.

Certificat de Conformité CE

Directives Machines



Cloueuse de finition 18V XR 16 GA DCN660, DCN661

DEWALT certifie que les produits décrits dans le paragraphe **Fiche technique** sont conformes aux normes : 2006/42/CE, EN60745-1:2009+A11:2010, EN60745-10-16:2010.

Ces produits sont également compatibles avec les Directives 2014/30/UE et 2011/65/UE. Pour plus d'informations, veuillez contacter DEWALT à l'adresse suivante ou vous reporter au dos de cette notice d'instructions.

Le soussigné est responsable de la compilation du fichier technique et fait cette déclaration au nom de DEWALT.

Markus Rempel
Directeur Ingénierie
DEWALT, Richard-Klinger-Strasse 11,
D-65510, Idstein, Allemagne
24.05.18



AVERTISSEMENT : afin de réduire le risque de blessure, lisez le manuel d'instruction.

Définitions : consignes de sécurité

Les définitions ci-dessous décrivent le niveau de gravité de chaque mot signalétique. Lisez le manuel de l'utilisateur et soyez attentif à ces symboles.



DANGER : indique une situation dangereuse imminente qui, si elle n'est pas évitée, entraînera des **blessures graves ou mortelles**.

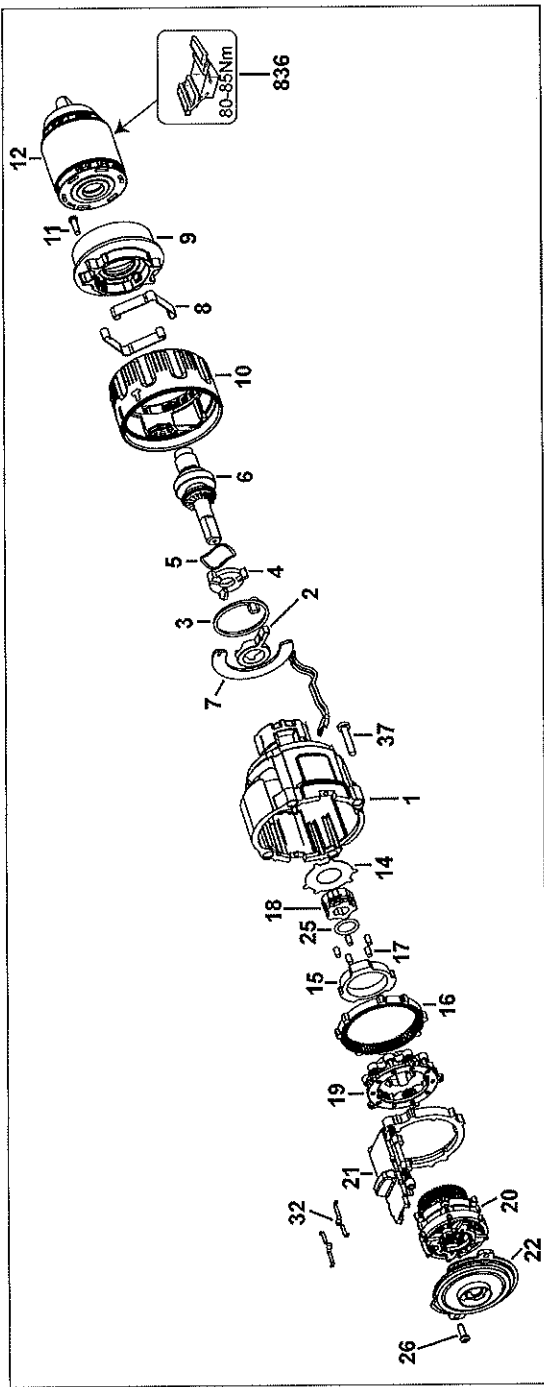


AVERTISSEMENT : indique une situation dangereuse potentielle qui, si elle n'est pas évitée, pourrait entraîner des **blessures graves ou mortelles**.

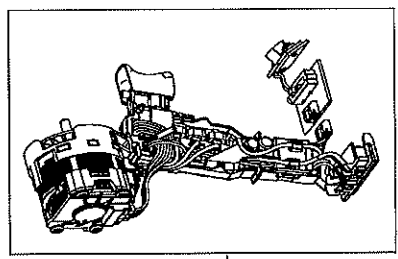
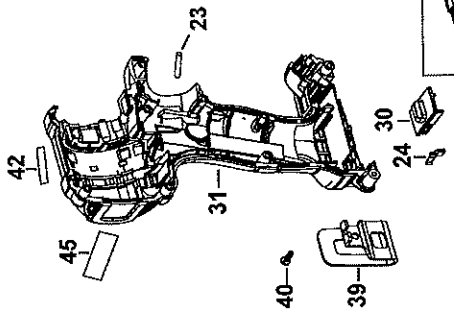
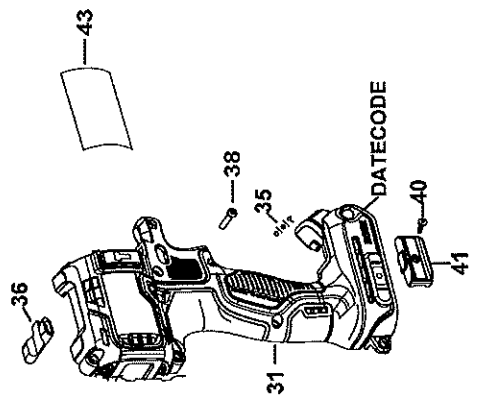
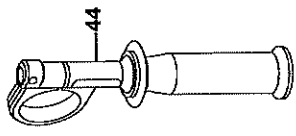
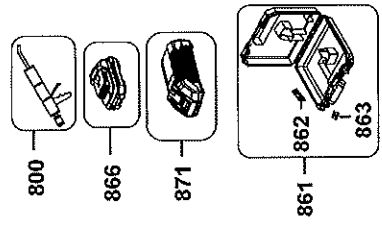


ATTENTION : indique une situation dangereuse potentielle qui, si elle n'est pas évitée, pourrait entraîner des **blessures minimales ou modérées**.

AVIS : indique une pratique ne **posant aucun risque de dommages corporels**, mais qui par contre, si rien n'est fait pour l'éviter, pourrait poser des **risques de dommages matériels**.



13



34

©

Nomenclature DCD996 PERCEUSE S/F 18V LI-ION 10

| Articl | Référence | Qté | Désignation pièce | Désignation générale | Autre information | Instructions de No | Pays |
|--------|-----------|-----|----------------------------|----------------------|-------------------|--------------------|------|
| 1 | N484226 | 1 | BOITE DE VITESSE | | | No | |
| 2 | N146719 | 1 | LEVIER | | | No | |
| 3 | N316079 | 1 | RESSORT | | | No | |
| 4 | N149367 | 1 | PIGNON | | | No | |
| 5 | N269741 | 1 | RONDELLE ELASTIQUE | | | No | |
| 6 | N481785 | 1 | S/ENS BROCHE | | | No | |
| 7 | N481813 | 1 | CAPTEUR | | | No | |
| 8 | N165352 | 2 | DETENTE | | | No | |
| 9 | N161216 | 1 | BOUCHON | | | No | |
| 10 | N443281 | 1 | COLLIER | | | No | |
| 11 | N359062 | 3 | VIS | M3 X 12 | | No | |
| 12 | N454251 | 1 | MANDRIN AUTOSERR. | | | No | |
| 13 | N470351 | 1 | BOITE DE VITESSE | | | No | |
| 14 | 652378-00 | 1 | PLAQUE | | | No | |
| 15 | N375852 | 1 | JONC D'ARRET | | | No | |
| 16 | N375864 | 1 | PIGNON | | | No | |
| 17 | 654110-00 | 5 | ROULEAU | | | No | |
| 18 | N481809 | 1 | APPUI | | | No | |
| 19 | N375865 | 1 | S/ENS PIGNON | | | No | |
| 20 | N481798 | 1 | S/ENS PIGNON | | | No | |
| 21 | N375867 | 1 | S/E COULISSE | | | No | |
| 22 | N375868 | 1 | S/E FLASQUE | | | No | |
| 23 | N071836 | 2 | VIS | | | No | |
| 24 | N392855 | 1 | DETENTE | | | No | |
| 25 | N309119 | 1 | JOINT TORIQUE | 10.82 ID - 1.78 DIA | | No | |
| 26 | N281559 | 2 | VIS | T10 - M3 THD FORM | | No | |
| 30 | N393603 | 1 | SELECTEUR | SPEED | | No | |
| 31 | N419324 | 1 | CARCASSE (PAIRE) | | | No | |
| 32 | N014681 | 2 | LAME RESSORT | | | No | |
| 34 | N481825 | 1 | S/E MOTEUR ET INTERRUPTEUR | | | No | |
| 35 | N439418 | 1 | ETIQUETTE | LED | | No | |
| 36 | N431555 | 1 | ACTUATOR | | | No | |
| 37 | 330019-52 | 4 | VIS SPECIALE | T15 - M3.5 X 19 | | No | |

Nomenclature DCD996 PERCEUSE S/F 18V LI-ION 10

| Articl | Référence | Qté | Désignation pièce | Désignation générale | Autre information | Instructions de No | Pays |
|--------|-------------|-----|-----------------------------|----------------------|-------------------|--------------------|------|
| 38 | 682211-00 | 8 | VIS | | | No | |
| 39 | N086039 | 1 | CROCHET | | | No | |
| 40 | N042665 | 2 | VIS | M3 X 10 | | No | |
| 41 | N475326 | 1 | TENUE D'EMBOUIT | | | No | |
| 42 | N237999 | 1 | ETIQUETTE | 18V | | No | |
| 43 | N538856 | 1 | PLAQUE SIGNALETI | | | No | GB |
| 43 | N538856 | 1 | PLAQUE SIGNALETI | | | No | QW |
| 43 | N538856 | 1 | PLAQUE SIGNALETI | | | No | XJ |
| 44 | N433408 | 1 | POIGNEE LATERALE | | | No | |
| 45 | N317859 | 1 | ETIQUETTE | BRUSHLESS | | No | |
| 800 | N017298 | 1 | GRAISSE 150 GMS | G-2008 Molykote | | No | |
| 836 | 559661-99 | 1 | S.T.CHUCK REMOVAL JIG | | | No | |
| 836 | 596004-99 | 1 | S.T.INSERT | | | No | |
| 861 | N506511 | 1 | BOITE KIT | T-STAK | DCD996NT | No | |
| 862 | H1500082520 | 2 | VERROU | | DCD996NT | No | |
| 863 | P910190 | 2 | VERROU | | DCD996NT | No | |
| 866 | N436213 | 1 | BATTERIE 18V - 5.0AH - 90WH | DCB184B BLUETOOTH | DCD996P2B | No | GB |
| 866 | N394624 | 1 | BATTERIE 18V - 5.0AH - 90WH | Li-Ion - DCB184-XJ | DCD9962P | No | GB |
| 866 | N394624 | 1 | BATTERIE 18V - 5.0AH - 90WH | Li-Ion - DCB184-XJ | DCD9962P | No | QW |
| 866 | N436213 | 1 | BATTERIE 18V - 5.0AH - 90WH | DCB184B BLUETOOTH | DCD996P2B | No | QW |
| 871 | N450537 | 1 | CHARGEUR 10.8V - 18V | DCB115-GB - 4.0A | | No | GB |
| 871 | N450536 | 1 | CHARGEUR (EURO) | DCB115-QW - 4.0A | | No | QW |