

# RYOBI®

## RY18PW22A

ORIGINAL INSTRUCTIONS  
TRADUCTION DES INSTRUCTIONS ORIGINALES  
ÜBERSETZUNG DER ORIGINALANLEITUNG  
TRADUCCIÓN DE LAS INSTRUCCIONES ORIGINALES  
TRADUZIONE DELLE ISTRUZIONI ORIGINALI  
VERTALING VAN DE ORIGINELE INSTRUCTIES  
TRADUÇÃO DAS INSTRUÇÕES ORIGINAIS  
OVERSÆTTELSE AF DE ORIGINALE INSTRUKTIONER  
ÖVERSÄTTNING AV DE URSPRUNGLIGA INSTRUKTIONERNA  
ALKUPERÄISTEN OHJEIDEN SUOMENNO  
OVERSETTELSE AV DE ORIGINALE INSTRUKSJONENE  
ПЕРЕВОД ОРИГИНАЛЬНЫХ ИНСТРУКЦИЙ  
TŁUMACZENIE INSTRUKCJI ORYGINALNEJ  
PŘEKLAD ORIGINÁLNÍCH POKYNŮ  
AZ EREDETI ÚTMUTATÓ FORDÍTÁSA  
TRADUCEREA INSTRUCȚIUNILOR ORIGINALE  
TULKOTS NO ORIĢINĀLĀS INSTRUKCIJAS  
ORIGINALIŲ INSTRUKCIJŲ VERTIMAS  
ORIGINALALJUHENDI TÕLGE  
PRIJEVOD ORIGINALNIH UPUTA  
PREVOD ORIGINALNIH NAVODIL  
PREKLAD ORIGINÁLNYCH POKYNOV  
ПРЕВОД ОТ ОРИГИНАЛНИТЕ ИНСТРУКЦИИ  
ПЕРЕКЛАД ОРИГИНАЛЬНИХ ІНСТРУКЦІЙ  
ORIJINAL TALIMATLARIN ÇEVIRILERI



EN  
FR  
DE  
ES  
IT  
NL  
PT  
DA  
SV  
FI  
NO  
RU  
PL  
CS  
HU  
RO  
LV  
LT  
ET  
HR  
SL  
SK  
BG  
UK  
TR





- Important!** It is essential that you read the instructions in this manual before assembling, maintaining and operating the product.
- Attention!** Il est essentiel que vous lisiez les instructions contenues dans ce manuel avant d'assembler, d'entretenir et d'utiliser le produit.
- Achtung!** Es ist wichtig, dass Sie vor Zusammenbau, Wartung und Benutzung des Produktes die Anweisungen in dieser Anleitung lesen.
- ¡Atención!** Resulta fundamental que lea este manual de instrucciones antes de realizar el montaje, el mantenimiento y de utilizar este producto
- Attenzione!** È importante leggere le istruzioni contenute nel presente manuale prima di montare il prodotto, svolgere le operazioni di manutenzione sullo stesso e metterlo in funzione.
- Let op!** Het is van essentieel belang dat u de instructies in deze gebruiksaanwijzing leest voor u het product monteert, onderhoudt en gebruikt.
- Atenção!** É fundamental que leia as instruções deste manual antes da montagem, manutenção e operação do aparelho.
- OBS!** Det er vigtigt, at man læser instrukserne i denne brugsanvisning, inden man samler, vedligeholder og betjener produktet.
- Observera!** Det är viktigt att du läser instruktionerna i manualen före montering, användning och underhåll av produkten.
- Huomio!** On tärkeää, että luet tämän käsikirjan ohjeet ennen tuotteen kokoamista, huoltoa ja käyttöä.
- Advarsel!** Det er viktig at du leser instruksjonene i denne manualen før sammensetning, vedlikehold og bruk av produktet
- Внимание!** Необходимо прочитать инструкции в данном руководстве перед сборкой, обслуживанием и эксплуатацией этого изделия.
- Uwaga!** Koniecznie należy przeczytać instrukcje zawarte w tym podręczniku przed montażem, obsługą oraz konserwacją produktu.
- Důležité upozornění!** Neinstalujte, neprovádějte údržbu ani nepoužívejte tento výrobek dříve, než si přečtete pokyny uvedené v tomto návodu.
- Figyelem!** Fontos, hogy a termék összeszerelése, karbantartása és használatá elött elolvassa a kézikönyvben található utasításokat.
- Atenție!** Este esențial să citiți instrucțiunile din acest manual înainte de asamblare, efectuarea întreinerii și operarea produsului.
- Uzmanību!** Ir svarīgi izlasīt šīs rokasgrāmatas instrukcijas pirms uzstādīšanas, apkopes un precas darbināšanas.
- Dėmesio!** Prieš surenkant, prižiūrint ir naudojam gaminį, būtina perskaityti šiam vadove pateiktus nurodymus.
- Tähtis!** Enne masina kokkupanekut, hooldamist ja kasutama hakkamist tuleb käesolevas juhendis esitatud juhised kindlasti läbi lugeda.
- Upozorenje!** Vrlo je važno da ste prije sklapanja, održavanja i rada s ovim proizvodom pročitali upute u ovom priručniku.
- Pomembno!** Pomembno je da pred montažo vzdrževanjem in uporabo tega izdelka preberete navodila v tem priročniku.
- Upozornenie!** Je dôležité, aby ste si pred montážou, údržbou a obsluhou produktu prečítali pokyny v tomto návode.
- Важно!** Исключительно важно е да прочетете инструкциите в настоящото ръководство, преди да преминете към сглобяване, поддръжка или работа с продукта.
- Важливо!** Дуже важливо, щоб ви прочитали інструкції в цьому керівництві перед складанням, обслуговуванням та експлуатацією цієї машини.
- Önemli!** Ürünü monte etmeden, kullanmadan ve bakımını yapmadan önce bu kılavuzdaki talimatları okumanız önemlidir.

Subject to technical modification | Sous réserve de modifications techniques | Technische Änderungen vorbehalten | Bajo reserva de modificaciones técnicas | Con riserva di eventuali modifiche tecniche | Technische wijzigingen voorbehouden | Com reserva de modificações técnicas | Med forbehold for tekniske ændringer | Med förbehåll för tekniska ändringar | Tekniset muutokset varataan | Med forbehold om tekniske endringer | могут быть внесены технические изменения | Z zastrzeżeniem modyfikacji technicznych | Změny technických údajů vyhrazeny | A műszaki módosítás jogát fenntartjuk | Sub rezerva modificațiilor tehnice | Paturam tiesības mainīt tehniskos raksturlielumus | Pasīlielikant teisę daryti techninius pakeitimus | Tehnilised muudatused võimalikud | Podloženo tehničkim promjenama | Tehnične spremembe dopuščene | Právo na technické zmeny je vyhradené | Подлежи на технически модификации | Є об'єктом для технічних змін | Teknik değişikliğe tabidir.



Safety, performance, and dependability have been given top priority in the design of your cordless power washer.

### INTENDED USE

The cordless power washer is intended for outdoor use only.

The product is designed for home or domestic use. It is intended to clean patio furniture, windows, automobiles, boats by removal of stubborn dirt using clean water with or without cleaning detergent.

The product should be used in well-illuminated conditions.

Do not use the product for any other purpose.

#### ⚠ WARNING

The product is designed for use with a neutral cleaning agent supplied or recommended by the manufacturer. The use of other cleaning agents or chemicals may adversely affect the safety of the product.

### GENERAL SAFETY WARNINGS

#### ⚠ WARNING

**Read all safety warnings and all instructions.** Failure to follow the warnings and instructions may result in electric shock, fire, and/or serious injury.

#### ⚠ CAUTION

The product must not be used on the drinking water supply without a backflow preventer being installed that corresponds to EN 12729 Type BA. Water flowing through a backflow preventer is considered non-drinkable. Do not connect the product to the water mains.

- The product is not intended for use by children or persons with reduced physical, sensory, or mental capabilities, or lack of experience and knowledge. Children should be adequately supervised to ensure they do not play with the product.
- Wear personal protective equipment when operating the product, such as safety goggles, and hearing protection.

- To reduce the risk of injury, keep children and bystanders away. All bystanders should wear safety glasses and be kept at a safe distance from the work area.
- Inspect the safety devices to check if they are in good working condition. Make sure that all safety devices are operating properly before each use:
  - Handle grip
    - The handle grip has a gripping surface that provides added control of the spray wand and helps reduce fatigue.
  - Lock-out button
    - The lock-out button locks the switch trigger and prevents unintentional opening of the high-pressure jet.
- Do not use the product if the important parts are damaged, such as safety devices, or spray wand.

#### ⚠ WARNING

During use of power washers, aerosols may be formed. Inhalation of aerosols can be hazardous to health.

#### ⚠ WARNING

Do not turn the nozzle while pulling the trigger. If the water is flowing while nozzle is turned, the relief channel will release the water. This is not a leak, but allows the water to escape without damaging the tool

- High-pressure jet is dangerous if misused. Do not direct the jet to people, live electronics, or the product itself.
- To avoid a risk of explosion, do not spray flammable liquids.
- Do not direct the jet against yourself or others in order to clean clothes or footwear.
- Hoses, fittings, and couplings are important for the safety of the product. Use only hoses, fittings, and couplings recommended by the manufacturer.
- Some regions have regulations that restrict the use of the product in some operations. Check with your local authority for advice.
- Before each use, check for damage. Damaged hoses must be replaced immediately. Ensure that all connections, such as spray wand and nozzle, are secure. Unwind the hose properly so they may not get twisted or kinked.

- Before starting any cleaning operation, close doors and windows. Clear the area to be cleaned of debris, toys, outdoor furniture, or other objects that could create a hazard.
- Do not use the product in temperatures below 0°C.
- Do not use acids, alkaline, solvents, flammable material, bleaches, or industrial grade solutions in the product. These products can cause physical injuries to the operator and irreversible damage to the product.

#### **⚠ WARNING**

High-pressure jet can be dangerous if subject to misuse. The jet must not be directed to people, animals, electrical devices, or the product itself.

- Hold the handle securely with both hands. Expect the handle to move when the trigger is pulled due to reaction forces. Failure to do so could cause loss of control and injury to yourself and others.
- Exercise caution to avoid slipping or falling.
- Keep firm footing and balance. Do not overreach. Overreaching can result in loss of balance.
- Never leave the product unattended while it is connected to the battery pack. Turn off the product, and only leave when it comes to a complete stop. Keep the product out of reach of children when it is energized.
- Be familiar with the controls. Know how to stop the product and bleed the pressure quickly.
- Stay alert, and exercise control. Watch what you are doing, and use common sense.
- Do not use the product while tired, ill, or under the influence of drugs, alcohol, or medication. A moment of inattention while operating the product may result in serious personal injury.
- Do not use the product if the switch does not turn it on and off. Any product that cannot be controlled with a switch is dangerous and must be repaired.

- Keep a minimum distance of 30 cm when cleaning vehicles. The high-pressure jet may damage or burst vehicle tires and/or tire valves.
- The product is not to be used if it has been dropped, if there are visible signs of damage, or if it is leaking.

#### **BATTERY PACK SAFETY WARNINGS**

- Recharge the battery pack only with the charger specified by the manufacturer. A charger that is suitable for one type of battery pack may create a risk of fire when used with another battery pack.
- When battery pack is not in use, keep it away from other metal objects, such as paper clips, coins, keys, nails, screws, or other small metal objects that can make a connection from one terminal to another. Shorting the battery pack terminals together may cause burns or a fire.
- Keep the battery pack and the charger away from wet and damp conditions.
- Use the product only with battery packs specified in this manual. Use of any other battery packs may create a risk of injury and fire.
- Under abusive conditions, liquid may be ejected from the battery pack; avoid contact. If contact accidentally occurs, flush with water. If liquid contacts eyes, seek medical help. Liquid ejected from the battery pack may cause irritation or burns.
- The battery pack has overheat protection. Excessive temperatures will cause the battery to stop powering the product. Feel the battery pack; if it is too warm, allow it to cool down before resuming operation. If the product still does not work, recharge the battery.

**NOTE:** The battery pack LED indicator will not work if the battery protection feature has caused the battery pack to stop powering the product. Release the on-off button or remove the battery pack from the product and the battery pack LED indicator will resume normal function.

#### **⚠ WARNING**

Do not splash water to the product. It may damage the battery pack.

### **⚠ WARNING**

To reduce the risk of fire, personal injury, and product damage due to a short circuit, never immerse your tool, battery pack or charger in fluid or allow a fluid to flow inside them. Corrosive or conductive fluids, such as seawater, certain industrial chemicals, and bleach or bleach-containing products, etc., can cause a short circuit.

### **RESIDUAL RISKS**

Even when the product is used as prescribed, it is still impossible to completely eliminate certain residual risk factors. The following hazards may arise during use and the operator should pay special attention to avoid the following:

- injury caused by vibration
  - Hold the product by the designated handles and restrict working time and exposure.
- injury caused by flying debris
  - Wear eye protection at all times.
- injury caused by exposure to noise
  - Wear hearing protection and limit exposure.

### **RISK REDUCTION**

It has been reported that vibrations from handheld tools may contribute to a condition called Raynaud's Syndrome. Symptoms may include tingling, numbness, and blanching of the fingers, usually apparent upon exposure to cold. Hereditary factors, exposure to cold and dampness, diet, smoking, and work practices are all thought to contribute to the development of these symptoms. There are measures that can be taken by the operator to possibly reduce the effects of vibration:

- Keep your body warm in cold weather. When operating the product, wear gloves to keep the hands and wrists warm. It is reported that cold weather is a major factor contributing to Raynaud's Syndrome.
- After each period of operation, exercise to increase blood circulation.
- Take frequent work breaks. Limit the amount of exposure per day.

If you experience any of the symptoms of this condition, immediately discontinue use and see your physician.

### **⚠ WARNING**

Injuries may be caused, or aggravated, by prolonged use of a tool. When using any tool for prolonged periods, ensure you take regular breaks.

### **TRANSPORTATION AND STORAGE**

- Stop the product, remove the battery pack, and allow the product to cool down. Disconnect the product from the water supply before storing or transporting.
- Remove water from all hoses and the pump, and empty the detergent tank before storing the product.
- Neatly coil the siphon hose and store with the power washer.
- Clean all foreign materials from the product. Store it in a cool, frost-free, dry, and well-ventilated place that is inaccessible to children. Do not store the product near the furnace or other sources of heat that could dry out the pump seals. Keep the product away from corrosive agents such as garden chemicals and de-icing salts. Do not store the product outdoors.
- For transportation in a vehicle, secure the product against movement or falling to prevent injury to persons or damage to the product.

### **⚠ WARNING**

Store the product indoors only. Storing in an area with temperature below 0° will damage the product.

### **TRANSPORTING LITHIUM BATTERIES**

Transport the battery pack in accordance with local and national provisions and regulations.

Follow all special requirements on packaging and labelling when transporting batteries by a third party. Ensure that no batteries can come in contact with other batteries or conductive materials while in transport by protecting exposed connectors with insulating, non-conductive caps or tape. Do not transport batteries that are cracked or leaking. Check with the forwarding company for further advice.

## MAINTENANCE

### ⚠ WARNING

Use only original manufacturer's replacement parts, accessories, and attachments. Failure to do so can cause possible injury, can contribute to poor performance, and may void your warranty.

### ⚠ WARNING

Servicing requires extreme care and knowledge and should be performed only by a qualified service technician. Have the product serviced by an authorised service centre only. When servicing, use only original replacement parts.

- Stop the product, remove the battery pack, and allow the product to cool down. Disconnect the product from the water supply:
  - before cleaning the product
  - before maintaining the product
  - before replacing spare parts
- You may make adjustments or repairs described in this manual. For other repairs, contact an authorised service centre.
- Regularly inspect and maintain the product for safe operation. Ensure that the battery compartment is properly assembled, tightly closed, and frequently check for damages. Any part that is damaged should be properly repaired or replaced by an authorised service centre.
- If the product is to be stored unused for a long period, the batteries should be removed.

## KNOW YOUR PRODUCT

See page 131.

1. 3-in-1 Nozzle
2. Release Button
3. Spray Wand
4. Lock-out Button
5. Latch
6. Battery Compartment
7. Handle Grip
8. Switch Trigger
9. Water Inlet

10. Floater
11. Filter
12. Siphon Hose
13. Quick Connector

## SYMBOLS ON THE PRODUCT



Warning



To reduce the risk of injury, read and understand the operator's manual before using the product.



Wear eye and hearing protection.



To reduce the risk of injury from high-pressure injection, do not direct spray at persons or animals.



Kickback. To reduce the risk of injury from kickback, hold the trigger handle securely with both hands when the product is on.



The product is not suitable for connection to the drinking water supply without backflow preventer.



Never point the spray wand to human, animals, the body of the product, power supply, or any electrical appliances.



Burst hazard



Conforms to all regulatory standards in the country in the EU where the product is purchased.



EurAsian Conformity Mark



Ukrainian mark of conformity



Waste electrical products should not be disposed of with household waste. Please recycle where facilities exist. Check with your local authority or retailer for recycling advice.

## SYMBOLS IN THIS MANUAL



Parts or accessories sold separately



Note



Warning

The following signal words and meanings are intended to explain the levels of risk associated with this product.

### **DANGER**

Indicates an imminently hazardous situation, which, if not avoided, will result in death or serious injury.

### **WARNING**

Indicates a potentially hazardous situation, which, if not avoided, could result in death or serious injury.

### **CAUTION**

Indicates a potentially hazardous situation, which, if not avoided, may result in minor or moderate injury.

### **CAUTION**

Without safety alert symbol

Indicates a situation that may result in property damage.

EN

FR

DE

ES

IT

NL

PT

DA

SV

FI

NO

RU

PL

CS

HU

RO

LV

LT

ET

HR

SL

SK

BG

UK

TR

Votre nettoyeur haute pression sans fil a été conçu en donnant priorité à la sécurité, à la performance et à la fiabilité.

### UTILISATION PRÉVUE

Le nettoyeur haute pression sans fil est exclusivement destiné à un usage extérieur.

Ce produit est destiné à un usage domestique ou privé. Destiné au nettoyage du mobilier de terrasse, des fenêtres, des automobiles et des bateaux, il assure l'élimination à l'eau propre des saletés tenaces, avec ou sans détergent.

Ce produit doit être utilisé dans un environnement bien éclairé.

Utilisez ce produit pour aucun autre travail.

### ⚠ AVERTISSEMENT

Ce produit est conçu pour une utilisation avec un agent nettoyant neutre fourni ou recommandé par le fabricant. L'utilisation d'autres produits nettoyants ou chimiques peut affecter la sécurité du produit.

### AVERTISSEMENTS GÉNÉRAUX DE SÉCURITÉ

### ⚠ AVERTISSEMENT

**Lisez les avertissements et indications.** Le non-respect des avertissements et instructions peut entraîner une décharge électrique, un incendie et/ou de graves blessures.

### ⚠ ATTENTION

Le produit ne doit pas être utilisé sur l'alimentation en eau potable sans une valve anti-retour conforme à la norme EN 12729 type BA. Le flux d'eau traversant une valve anti-retour est considéré comme non potable. Le produit ne doit pas être raccordé à la source d'approvisionnement en eau.

- Le produit n'est pas conçu pour une utilisation par des enfants ou des personnes aux capacités physiques, sensorielles ou mentales réduites ou ayant un manque d'expérience ou de connaissances. Les enfants doivent être bien surveillés afin de s'assurer qu'ils ne jouent pas avec le produit.

- Portez un équipement de protection complet lors de l'exploitation du produit, comme des lunettes de sécurité et une protection auditive.

- Afin de réduire le risque de blessure, maintenez éloignés les enfants et les personnes se tenant dans le périmètre de travail. Tous les observateurs doivent porter des lunettes de sécurité et respecter une distance de sécurité par rapport à la zone de travail.

- Inspectez les dispositifs de sécurité afin de vérifier qu'ils sont en état de marche. Assurez-vous que tous les appareils de sécurité fonctionnent correctement avant chaque utilisation:

- Poignée

- La poignée est dotée d'une surface de préhension offrant un meilleur contrôle de la lance de pulvérisation et réduisant la fatigue.

- Bouton de verrouillage

- Le bouton de verrouillage bloque le déclencheur et empêche toute ouverture accidentelle du jet sous haute pression.

- N'utilisez pas le produit si des pièces importantes sont endommagées, comme des dispositifs de sécurité ou la lance de pulvérisation.

### ⚠ AVERTISSEMENT

Des aérosols peuvent se former lors de l'utilisation du nettoyeur haute pression. Inhaler les aérosols peut être dangereux pour la santé.

### ⚠ AVERTISSEMENT

Ne tournez pas l'embout tout en tirant le déclencheur. Si de l'eau s'écoule alors que l'embout est tourné, le canal de décharge libèrera le jet d'eau. Il ne s'agit pas d'une fuite, mais d'une sécurité pour permettre à l'eau de s'échapper sans endommager l'outil.

- Le jet à haute pression est dangereux s'il est mal utilisé. Ne dirigez pas le jet vers les personnes, les équipements électriques sous tension ou le produit lui-même.
- Pour éviter un risque d'explosion, ne vaporisez pas des liquides inflammables.





- Ne dirigez pas le jet vers vous-même ou en direction des autres pour nettoyer des vêtements ou des chaussures.
- Les tuyaux, les fixations et couplages sont importants pour la sécurité du produit. Utilisez uniquement des tuyaux, des fixations et des couplages recommandés par le fabricant.
- La législation de certaines régions restreint l'utilisation du produit. Contactez les autorités locales pour obtenir des conseils.
- Vérifiez l'absence de dommages avant chaque utilisation. Les tuyaux endommagés doivent être remplacés immédiatement. Assurez-vous que toutes les connexions, telles que la lance de pulvérisation et l'embout, sont sécurisés. Déroulez correctement le tuyau de sorte à ce qu'il ne soit pas tordu ou plié.
- Avant de commencer le nettoyage, fermez les portes et les fenêtres. Enlevez de la zone à nettoyer la zone de tout débris, jouet, meuble d'extérieur ou autre objet pouvant représenter un risque.
- N'utilisez pas le produit à des températures inférieures à 0 °C.
- N'utilisez pas des acides, des alcalins, des solvants, des matières inflammables, des produits de blanchiment ou des solutions industrielles dans les produits. Ces produits peuvent causer des blessures physiques à l'opérateur et des dommages irréversibles au produit.
- Ne laissez jamais le produit sans surveillance lorsqu'il est raccordé au bloc de batterie. Mettez le produit hors tension et laissez-le sans surveillance qu'à partir du moment où il est complètement arrêté. Tenez le produit hors de portée des enfants lorsqu'il est sous tension.
- Familiarisez-vous avec les commandes. Sachez comment arrêter le produit et laisser rapidement la pression s'échapper.
- Soyez toujours vigilant et restez maître de votre outil. Regardez bien ce que vous faites et faites preuve de bon sens.
- N'utilisez pas cette tondeuse lorsque vous êtes fatigué ou sous l'influence de l'alcool, de drogues ou de médicaments. Un moment d'inattention lors de l'utilisation du produit peut provoquer de graves blessures.
- N'utilisez pas le produit si son interrupteur marche/arrêt est inopérant. Tout appareil qui ne peut pas être contrôlé par son interrupteur est dangereux et doit être réparé.
- Conservez une distance minimum de 30 cm lors du nettoyage des véhicules. Le jet à haute pression peut endommager ou faire exploser les pneus et/ou les valves de pneus.
- Le produit ne doit pas être utilisé après une chute, s'il présente des signes d'endommagement ou en cas de fuite.

#### **⚠ AVERTISSEMENT**

Le jet à haute pression peut être dangereux s'il est mal utilisé. Le jet ne doit pas être dirigé vers les personnes, les animaux, les appareils électriques ou le produit lui-même.

- Tenez fermement la poignée avec les deux mains. N'oubliez pas que la poignée se déplace lorsque l'on tire le déclencheur en raison des forces de réaction. Le non-respect de cette consigne peut entraîner une perte de contrôle et une blessure pour vous-même et les autres.
- Soyez prudent pour éviter de glisser ou de tomber.
- Gardez un bon appui et un bon équilibre. Ne pas se précipiter. Ne travaillez pas en extension, vous pourriez perdre l'équilibre.
- Rechargez le bloc de batterie uniquement avec le chargeur spécifié par le fabricant. Un chargeur approprié à un type spécifique de batterie peut engendrer un risque d'incendie lorsqu'il est utilisé avec une autre batterie.
- Lorsqu'un bloc de batterie n'est pas utilisé, maintenez-le à l'écart de tout autre objet métallique, par exemple trombones, pièces de monnaie, clés, clous, vis ou autres objets de petite taille qui peuvent donner lieu à une connexion d'une borne à une autre. Un court-circuit entre les contacts de batterie peut provoquer des brûlures ou un incendie.
- Tenez le bloc de batterie et le chargeur éloignés de toute humidité.





- Utilisez le produit uniquement avec les blocs de batterie spécifiés dans ce manuel. L'utilisation de tout autre bloc de batterie peut entraîner des blessures et des risques d'incendie.
- En cas d'utilisation abusive, du liquide peut sortir du bloc de batterie. Évitez tout contact avec ce liquide. En cas de contact accidentel, rincez soigneusement avec de l'eau. En cas de contact avec les yeux, consultez également un médecin. Le liquide qui sort du bloc de batterie peut entraîner des irritations de la peau ou causer des brûlures.
- Le bloc de batterie est équipé d'une protection contre les surchauffes. Une température excessive entraîne l'arrêt de l'alimentation de l'outil par la batterie. Touchez le bloc de batterie ; s'il est trop chaud, laissez-le refroidir avant de reprendre l'utilisation. Si l'outil ne fonctionne toujours pas, rechargez la batterie.

**REMARQUE:** Le voyant LED du bloc de batterie ne fonctionnera pas si le dispositif de protection intégré s'est déclenché et a entraîné l'arrêt de l'outil. Relâchez le bouton Marche/Arrêt ou retirez le bloc de batterie du produit et le voyant LED de la batterie reprend sa fonction normale.

**⚠ AVERTISSEMENT**

Ne projetez pas d'eau sur le produit. Cela pourrait endommager le bloc de batterie.

**⚠ AVERTISSEMENT**

Pour réduire le risque d'incendie, de blessures ou d'endommagement du produit causé par un court-circuit, n'immergez jamais l'outil, le bloc de batterie ou le chargeur dans du liquide, et ne laissez jamais de liquide pénétrer dans aucun d'entre eux. Les fluides corrosifs ou conducteurs, tels que l'eau de mer, certains produits chimiques industriels, les produits de blanchiment ou contenant des agents de blanchiment, etc. peuvent provoquer un court-circuit.

**RISQUES RÉSIDUELS**

Même lorsque le produit est utilisé selon les prescriptions, il reste impossible d'éliminer totalement certains facteurs de risque résiduels. Les dangers suivants risquent de se présenter en cours d'utilisation et

l'utilisateur doit prêter particulièrement garde à ce qui suit:

- Blessures dues aux vibrations
  - Maintenez le produit par les poignées destinées à cet effet et limitez le temps de travail et d'exposition.
- Blessure causée par la chute d'objets.
  - Portez en permanence une protection oculaire.
- Blessures dues au bruit
  - Portez une protection auditive et limitez le temps d'exposition.

**RÉDUCTION DES RISQUES**

Il a été reporté que les vibrations engendrées par les outils tenus à la main peuvent contribuer à l'apparition d'un état appelé le syndrome de Raynaud chez certaines personnes. Les symptômes peuvent comprendre des fourmillements, un engourdissement et un blanchiment des doigts, généralement par temps froid. Des facteurs héréditaires, l'exposition au froid et à l'humidité, le régime alimentaire, le tabagisme et les habitudes de travail peuvent contribuer au développement de ces symptômes. Certaines mesures peuvent être prises par l'utilisateur pour aider à réduire les effets des vibrations:

- Gardez votre corps au chaud par temps froid. Lorsque vous utilisez le produit, portez des gants afin de garder vos mains et vos poignets au chaud. Le temps froid est considéré comme un facteur contribuant très largement à l'apparition du syndrome de Raynaud.
- Après chaque session de travail, pratiquez des exercices qui favorisent la circulation sanguine.
- Faites des pauses fréquentes. Limitez le temps d'exposition journalier.

Si vous ressentez l'un des symptômes associés à ce syndrome, arrêtez immédiatement le travail et consultez votre médecin pour lui en faire part.

**⚠ AVERTISSEMENT**

L'utilisation prolongée d'un outil est susceptible de provoquer ou d'aggraver des blessures. Assurez-vous de faire des pauses de façon régulière lorsque vous utilisez tout outil de façon prolongée.



## TRANSPORT ET STOCKAGE

- Arrêtez le produit, retirez le bloc de batterie et laissez le produit refroidir. Déconnectez le produit de l'alimentation en eau avant le stockage ou le transport.
- Retirez l'eau de tous les tuyaux et de la pompe, videz le réservoir du détergent avant de stocker le produit.
- Enroulez proprement le tuyau de siphonnage et rangez-le avec le nettoyeur haute pression.
- Débarrassez l'appareil de tous les corps étrangers. Rangez-le dans un endroit frais, protégé du gel, sec et bien ventilé, hors de la portée des enfants. Ne rangez pas le produit à proximité d'une chaudière ou de toute autre source de chaleur susceptible d'assécher les joints de la pompe. Gardez l'appareil à l'écart des produits corrosifs tels que les produits chimiques de jardinage et le sel de déneigement. Ne le rangez pas à l'extérieur.
- Pour le transport dans un véhicule, attachez le produit pour l'empêcher de bouger ou de tomber, afin d'éviter toute blessure et tout dommage matériel.

### ⚠ AVERTISSEMENT

Stockez le produit uniquement dans un endroit fermé. Le stockage du produit dans une zone avec une température inférieure à 0 °C endommagerait le produit.

## TRANSPORT DES BATTERIES AU LITHIUM

Transportez les batteries en conformité avec les dispositions et règlements locaux et nationaux.

Respectez toutes les exigences légales particulières concernant l'emballage et l'étiquetage des batteries lorsque vous confiez leur transport à un tiers. Assurez-vous qu'aucune batterie ne puisse entrer en contact avec une autre batterie ou avec des matériaux conducteurs lors de son transport en isolant les bornes électriques avec du ruban adhésif ou des capuchons isolants non conducteurs. Ne transportez pas une batterie qui serait fendue ou qui fuirait. Demandez conseil au transporteur pour de plus amples informations.

## ENTRETIEN

### ⚠ AVERTISSEMENT

N'utilisez que des pièces détachées et accessoires d'origine constructeur. Le non-respect de cette précaution peut entraîner de mauvaises performances, des blessures, et annuler votre garantie.

### ⚠ AVERTISSEMENT

Les opérations d'entretien demandent un soin et des connaissances extrêmes et ne doivent être effectuées que par un technicien de service qualifié. Confiez l'entretien du produit à un centre de service agréé. N'utilisez que des pièces détachées identiques pour effectuer les réparations.

- Arrêtez le produit, retirez le bloc de batterie et laissez le produit refroidir. Déconnectez le produit de l'alimentation en eau avant :
  - de nettoyer le produit
  - d'assurer l'entretien du produit
  - de remplacer les pièces de rechange
- Vous n'êtes autorisé à effectuer que les réglages ou réparations décrits dans ce manuel. Pour toute autre réparation, contactez un centre de service agréé.
- Vérifiez régulièrement le bon fonctionnement du produit et réalisez son entretien. Vérifiez que le compartiment de la batterie est correctement assemblé et bien fermé. Vérifiez fréquemment l'absence de dommages. Toute pièce endommagée doit être correctement remplacée ou réparée par un centre de service agréé.

## APPRENEZ À CONNAÎTRE VOTRE PRODUIT

Voir page 131.

1. Embout 3 en 1
2. Bouton de déverrouillage
3. Lance de pulvérisation
4. Bouton de verrouillage
5. Loquet
6. Compartiment de la batterie
7. Poignée
8. Interrupteur
9. Entrée d'eau

10. Flotteur
11. Filtre
12. Tuyau de siphon
13. Raccord rapide

## SYMBOLES APPLIQUES SUR LE PRODUIT



Avertissement



Afin de réduire les risques de blessures, il est indispensable de bien lire et de bien comprendre le présent manuel d'utilisation avant d'utiliser cet outil.



Portez une protection oculaire et auditive.



Afin de réduire le risque de blessures par injection à haute pression, ne pulvérisez pas directement sur des personnes ou des animaux.



Rebond. Afin de réduire le risque de blessures causées par le recul, tenir la poignée de déclenchement fermement avec les deux mains lorsque le produit est en marche.



Le produit n'est pas adapté pour être raccordé à la source d'alimentation en eau potable sans dispositif anti-reflux.



Ne pointez jamais la lance de pulvérisation vers des personnes, des animaux, le corps de la machine, l'alimentation électrique ou tout autre appareil électrique.



Risque d'éclatement



Cet outil est conforme à l'ensemble des normes réglementaires du pays de l'UE où il a été acheté.



Marque de conformité d'Eurasie



Marque de conformité ukrainienne



Les produits électriques hors d'usage ne doivent pas être jetés avec les ordures ménagères. Recyclez-les par l'intermédiaire des structures disponibles. Contactez les autorités locales ou votre distributeur pour vous renseigner sur les conditions de recyclage.

## SYMBOLES DE CE MANUEL



Pièces détachées et accessoires vendus séparément



Remarque



Avertissement

Les symboles suivants, et les noms qui leur sont associés, permettent d'expliquer les différents niveaux de risques liés à l'utilisation de cet outil.

### ⚠ DANGER

Imminence d'un danger qui, si l'on n'y prend garde, peut entraîner la mort ou des blessures graves.

### ⚠ AVERTISSEMENT

Situation potentiellement dangereuse qui, si l'on n'y prend garde, peut entraîner la mort ou des blessures graves.

### ⚠ ATTENTION

Situation potentiellement dangereuse qui, si l'on n'y prend garde, peut entraîner des blessures moyennes ou légères.

### ATTENTION

Sans symbole d'alerte de sécurité  
Indique une situation pouvant entraîner des dommages matériels.

Sicherheit, Leistung und Zuverlässigkeit hatten oberste Priorität bei der Entwicklung Ihres Akku-Mitteldruckreinigers.

### **BESTIMMUNGSGEMÄSSE VERWENDUNG**

Der Akku-Mitteldruckreiniger ist ausschließlich zur Nutzung im Freien geeignet.

Dieses Produkt wurde für den Hausgebrauch entwickelt. Er ist dazu vorgesehen, Terrassenmöbel, Fenster, Autos und Boote unter Nutzung von sauberem Wasser mit oder ohne Reinigungsmittel von hartnäckigem Schmutz zu befreien.

Das Gerät sollte in einer gut beleuchteten Umgebung genutzt werden.

Es darf zu keinen anderen Zwecken verwendet werden.

#### **⚠️ WARNUNG**

Das Gerät wurde zur Nutzung mit einem neutralen vom Hersteller angebotenen oder empfohlenen Reinigungsmittel entwickelt. Die Nutzung anderer Reinigungsmittel oder Chemikalien kann sich negativ auf die Sicherheit des Geräts auswirken.

### **ALLGEMEINE SICHERHEITSWARNUNGEN**

#### **⚠️ WARNUNG**

**Lesen Sie alle Sicherheitshinweise und Anweisungen.** Versäumnisse bei der Einhaltung der Sicherheitshinweise und Anweisungen können elektrischen Schlag, Brand und/oder schwere Verletzungen verursachen.

#### **⚠️ VORSICHT**

Das Gerät darf nur dann an eine Trinkwasserversorgung angeschlossen werden, wenn ein Rückflussverhinderer gemäß EN 12729 Type BA installiert ist. Wasser, das durch einen Rückflussverhinderer fließt, gilt als nicht trinkbar. Das Gerät darf nicht an die Wasserversorgung angeschlossen werden.

- Das Gerät wurde nicht zur Nutzung durch Kinder oder Personen mit eingeschränkten körperlichen, Sinnes- oder geistigen Fähigkeiten oder Personen mit mangelnder

Erfahrung und Kenntnis entwickelt. Kinder müssen ausreichend beaufsichtigt werden, so dass gewährleistet ist, dass sie nicht mit dem Produkt spielen.

- Tragen Sie beim Bedienen dieses Geräts persönliche Schutzausrüstung, z. B. Schutzbrille und Gehörschutz.
- Halten Sie Kinder und Zuschauer fern, um das Verletzungsrisiko zu verringern. Alle Zuschauer sollten eine Schutzbrille tragen und sicheren Abstand zum Arbeitsbereich halten.
- Überprüfen Sie den Zustand der Sicherheitsvorrichtungen. Stellen Sie vor jeder Nutzung sicher, dass alle diese Sicherheitsvorrichtungen korrekt funktionieren:
  - Haltegriff
    - Der Haltegriff verfügt über eine griffige Oberfläche, die zusätzliche Kontrolle über die Sprühlanze bietet und zu verringerter Ermüdung führt.
  - Einschaltsperr
    - Die Einschaltsperr sperrt den Ein-Ausschalter und verhindert ein unbeabsichtigtes Öffnen des Wasserstrahls.
- Nutzen Sie das Gerät nicht, wenn wichtige Teile, beispielsweise Sicherheitsvorrichtungen oder die Sprühlanze beschädigt sind.

#### **⚠️ WARNUNG**

Beim Einsatz des Mitteldruckreinigers können Aerosole entstehen. Das Inhalieren von Aerosolen kann gesundheitsschädlich sein.

#### **⚠️ WARNUNG**

Drehen Sie die Sprühdüse nicht bei gedrücktem Ein-Ausschalter. Wenn die Düse bei fließendem Wasser gedreht wird, wird dieses durch einen Entlastungskanal abgeleitet. Dies ist kein Leck, sondern dient dazu das Wasser abzuführen ohne das Gerät zu beschädigen.

- Der Hochdruckstrahl ist bei Missbrauch gefährlich. Halten Sie den Strahl nicht in die Richtung von anderen Personen, aktive elektrische Ausrüstung oder des Produkts selbst.

- Um ein Explosionsrisiko zu verhindern, versprühen Sie keine entzündlichen Flüssigkeiten.
- Richten Sie den Strahl nicht direkt gegen sich selbst oder gegen andere Personen, um etwa Kleidung oder Schuhe zu reinigen.
- Die Schläuche, Armaturen und Verbinder sind wichtig für die Sicherheit des Geräts. Nutzen Sie nur die vom Hersteller empfohlenen Schläuche, Armaturen und Verbindungsstücke.
- Einige Regionen können Vorschriften haben, die die Benutzung dieses Produktes auf bestimmte Tätigkeiten beschränken. Lassen Sie sich von Ihrer örtlichen Behörde beraten.
- Prüfen Sie das Gerät vor jeder Nutzung auf Beschädigungen. Beschädigte Schläuche müssen unverzüglich ersetzt werden. Stellen Sie sicher, dass alle Verbindungen, beispielsweise Sprühlanze und -düse, sicher sind. Rollen Sie den Schlauch ordentlich ab, so dass er sich nicht verdreht oder knickt.
- Schließen Sie vor der Reinigung Türen und Fenster. Entfernen Sie Schutt, Spielzeug, Gartenmöbel und andere Gegenstände, die zu einer Gefahr werden können, vom zu reinigenden Bereich.
- Nutzen Sie das Gerät nicht bei Temperaturen unter 0 °C.
- Nutzen Sie das Gerät nicht mit Säuren, Laugen, Lösemitteln, entflammaren Flüssigkeiten, Bleiche oder Industrielösungen. Diese Flüssigkeiten können zu Verletzungen des Bedieners und unwiderruflichen Beschädigungen des Geräts führen.

#### **⚠ WARNUNG**

Der Hochdruckstrahl kann bei Missbrauch gefährlich sein. Der Strahl darf nicht auf Personen, Tiere, aktive elektrische Ausrüstung oder die Maschine selbst gerichtet werden.

- Halten Sie den Griff mit beiden Händen fest. Gehen Sie davon aus, dass sich der Handgriff aufgrund der Reaktion bewegt, wenn die Auslösertaste gedrückt wird. Wenn der Bediener dies nicht erwartet,

kann er die Kontrolle verlieren; dies kann dazu führen, dass der Bediener und andere Personen verletzt werden.

- Achten Sie darauf, nicht zu rutschen oder zu fallen.
- Sorgen Sie für einen sicheren Stand und halten Sie das Gleichgewicht. Vermeiden Sie eine abnormale Körperhaltung. Eine abnormale Körperhaltung kann zu Gleichgewichtsverlust führen.
- Lassen Sie das Gerät niemals unbeaufsichtigt, wenn der Akku eingesetzt wurde. Schalten Sie das Gerät aus und gehen Sie erst fort, wenn es vollständig stillsteht. Halten Sie das Gerät bei eingesetztem Akku außerhalb der Reichweite von Kindern.
- Machen Sie sich mit den Bedienelementen vertraut. Sie müssen wissen, wie das Gerät stoppt und wie kurzfristig Druck reduziert werden kann.
- Bleiben Sie aufmerksam und behalten Sie die Kontrolle. Achten Sie auf das, was sie tun, und setzen Sie Ihren gesunden Menschenverstand ein.
- Arbeiten Sie mit diesem Produkt nicht, wenn Sie müde oder krank sind, oder unter dem Einfluss von Alkohol, Drogen oder Medikamenten stehen. Ein kurzer Moment der Unachtsamkeit bei der Verwendung eines Produktes kann zu schweren Verletzungen führen.
- Benutzen Sie kein Elektrowerkzeug, dessen Schalter defekt ist. Ein Elektrowerkzeug, das sich nicht mehr ein- oder ausschalten lässt, ist gefährlich und muss repariert werden.
- Halten Sie beim Reinigen von Fahrzeugen einen Mindestabstand von 30 cm ein. Der Hochdruckstrahl kann die Reifen und/oder die Reifenventile von Fahrzeugen beschädigen oder zum Platzen bringen.
- Das Gerät darf bei sichtbaren Zeichen von Beschädigungen, bei einem Leck und nach einem Aufschlagen auf dem Boden nicht verwendet werden.

#### **SICHERHEITSHINWEISE ZUM AKKU**

- Laden Sie den Akku ausschließlich mit dem vom Hersteller angegebenen Ladegerät auf. Für ein Ladegerät, das für

eine bestimmte Art von Akkus geeignet ist, besteht Brandgefahr, wenn es mit anderen Akkus verwendet wird.

- Halten Sie den nicht benutzten Akku fern von Büroklammern, Münzen, Schlüsseln, Nägeln, Schrauben oder anderen kleinen Metallgegenständen, die eine Überbrückung der Kontakte verursachen könnten. Ein Kurzschluss zwischen den Akkukontakten kann Verbrennungen oder Feuer zur Folge haben.
- Schützen Sie den Akku und das Ladegerät vor Feuchtigkeit und Nässe.
- Nutzen Sie das Gerät nur mit dem in dieser Bedienungsanleitung angegebenen Akku. Der Gebrauch von anderen Akkus kann zu Verletzungen und Brandgefahr führen.
- Bei falscher Anwendung kann Flüssigkeit aus dem Akku austreten; vermeiden Sie den Kontakt damit. Bei zufälligem Kontakt mit Wasser abspülen. Suchen Sie sofort medizinische Hilfe auf, falls die Flüssigkeit in die Augen gerät. Austretende Akkufflüssigkeit kann zu Hautreizungen oder Verbrennungen führen.
- Der Akkupack verfügt über einen Überhitzungsschutz. Sehr hohe Temperaturen bewirken, dass der Akku das Produkt nicht länger mit Strom versorgt. Berühren Sie den Akku; falls er zu warm ist, lassen Sie ihn abkühlen bevor Sie wieder arbeiten. Falls das Produkt dann immer noch nicht funktioniert, laden Sie den Akku auf.

**HINWEIS:** Die LED der Ladezustandsanzeige des Akkus funktioniert nicht, wenn die Akkuschutzfunktion ausgelöst wurde und der Akku das Produkt nicht mehr mit Strom versorgt. Lassen Sie den An-/Ausschalter des Produkts los oder entfernen Sie den Akku aus dem Werkzeug; die LED der Ladezustandsanzeige des Akkus nimmt daraufhin die normale Funktion wieder auf.

#### **⚠ WARNUNG**

Spritzen Sie kein Wasser auf das Gerät. Dies kann den Akku beschädigen.

#### **⚠ WARNUNG**

Um die durch einen Kurzschluss verursachte Gefahr eines Brandes, von Verletzungen oder Produktbeschädigungen zu vermeiden, tauchen Sie das Werkzeug, den Wechselakku oder das Ladegerät nicht in Flüssigkeiten ein und sorgen Sie dafür, dass keine Flüssigkeiten in die Geräte und Akkus eindringen. Korrodierende oder leitfähige Flüssigkeiten, wie Salzwasser, bestimmte Chemikalien und Bleichmittel oder Produkte, die Bleichmittel enthalten, können einen Kurzschluss verursachen.

#### **RESTRISIKEN**

Sogar wenn das Produkt wie vorgeschrieben benutzt wird, ist es unmöglich ein gewisses Restrisiko vollständig zu beseitigen. Die folgenden Gefahren können bei der Benutzung entstehen, und der Benutzer sollte besonders auf folgende Punkte achten:

- Durch Vibrationen verursachte Verletzungen.
  - Halten Sie das Produkt an den dafür vorgesehenen Griffen und schränken Sie die Arbeitszeit und Belastung ein.
- Durch geschleuderte Objekte verursachte Verletzungen
  - Tragen Sie immer einen Augenschutz.
- Lärm kann zu Gehörschaden führen.
  - Tragen Sie einen Gehörschutz und schränken Sie die Belastung ein.

#### **RISIKOVERRINGERUNG**

Vibrationen von in der Hand gehaltenen Werkzeugen können bei einigen Personen zu einem Zustand, der Raynaud-Syndrom genannt wird, führen. Symptome sind u.a. Kribbeln, Taubheitsgefühl und episodische Weißfärbung der Finger und treten normalerweise bei Kälte auf. Man geht davon aus, dass ererbte Faktoren, Kälte und Feuchtigkeit, Essgewohnheiten, Rauchen und Arbeitsweise zur Entwicklung dieser Symptome beitragen. Der Anwender kann Maßnahmen ergreifen, um die Auswirkungen der Vibrationen möglicherweise zu verringern:

- Halten Sie den Körper bei Kälte warm. Tragen Sie beim Betrieb des Produkts Handschuhe, um Hände und Handgelenke

warm zu halten. Berichten zu Folge ist kaltes Wetter ein wesentlicher Faktor, der zum Raynaud Syndrom beiträgt.

- Betätigen Sie sich nach jedem Einsatz körperlich, um den Blutkreislauf zu steigern.
- Machen Sie regelmäßig Pausen. Beschränken Sie die Beanspruchung pro Tag.

Sollten bei Ihnen Symptome dieses Zustands auftreten, stellen Sie unverzüglich den Betrieb ein und suchen Sie in Hinsicht auf die Symptome einen Arzt auf.

#### ⚠️ WARNUNG

Verletzungen können durch lange Benutzung eines Werkzeugs entstehen oder verschlimmert werden. Machen Sie regelmäßig Pause, wenn Sie ein Werkzeug für lange Zeit benutzen.

#### TRANSPORT UND LAGERUNG

- Schalten Sie das Gerät aus, entnehmen Sie den Akku und lassen Sie das Gerät abkühlen. Trennen Sie vor Lagerung und Transport die Verbindung zur Wasserversorgung.
- Lassen Sie vor dem Lagern des Geräts das Wasser aus allen Schläuchen und der Pumpe ab und leeren Sie den Reinigungsmitteltank.
- Rollen Sie den Siphonschlauch ordentlich auf und bewahren Sie ihn beim Hochdruckreiniger auf.
- Entfernen Sie alle Fremdkörper vom Produkt. Bewahren Sie das Gerät an einem kühlen, frostfreien, trockenen und gut belüfteten Platz auf, der für Kinder unzugänglich ist. Lagern Sie das Gerät nicht in der Nähe eines Ofens oder anderer Quellen für Hitze, die die Pumpendichtungen austrocknen könnte. Halten Sie das Produkt von ätzenden Mitteln wie Gartenchemikalien und Streusalz fern. Lagern Sie das Gerät nicht im Freien.
- Sichern Sie das Produkt beim Transport in einem Fahrzeug gegen Bewegung oder Herunterfallen, um Verletzungen an Personen und Beschädigung des Produkts zu verhindern.

#### ⚠️ WARNUNG

Das Produkt muss in einem Innenraum eingelagert werden. Wenn das Produkt in einem Bereich mit einer Temperatur unter 0° eingelagert wird, wird es beschädigt.

#### TRANSPORT VON LITHIUM-IONEN-AKKUS

Transportieren Sie Akkus gemäß Ihren örtlichen und nationalen Bestimmungen und Regeln.

Befolgen Sie alle besonderen Anforderungen für Verpackung und Beschriftung, wenn Sie Akkus von Dritten transportieren lassen. Stellen Sie sicher, dass beim Transport kein Akku in Kontakt mit anderen Akkus oder leitenden Materialien kommt, indem Sie die freien Anschlüsse mit Isolierband, nichtleitenden Kappen oder Kleband schützen. Beschädigte oder auslaufende Akkus dürfen nicht transportiert werden. Weitere Informationen erhalten Sie bei Ihrem Transportunternehmen.

#### WARTUNG UND PFLEGE

#### ⚠️ WARNUNG

Verwenden Sie ausschließlich original Ersatzteile, Zubehör und Aufsätze des Herstellers. Nichtbefolgung kann mögliche Verletzungen oder schlechte Leistung verursachen und Ihre Garantie ungültig machen.

#### ⚠️ WARNUNG

Service und Wartung des Gerätes erfordert besonderen Sorgfalt und Kenntnisstand und sollte nur durch qualifiziertes Personal durchgeführt werden. Lassen Sie das Gerät nur von einem autorisierten Servicecenter warten. Beim Service dürfen Sie nur originale Ersatzteile benutzen.

- Schalten Sie das Gerät aus, entnehmen Sie den Akku und lassen Sie das Gerät abkühlen. Unterbrechen Sie die Wasserversorgung des Geräts bevor
  - Sie das Produkt reinigen.
  - das Gerät warten
  - Teile auswechseln



- Sie dürfen die in dieser Bedienungsanleitung beschriebenen Einstellungen und Reparaturen durchführen. Kontaktieren Sie Ihren autorisierten Kundendienst für andere Reparaturen.
- Prüfen Sie das Gerät zwecks sicherem Betrieb regelmäßig und führen Sie Wartungsarbeiten durch. Stellen Sie sicher, dass das Akkufach korrekt montiert und fest geschlossen ist, und überprüfen Sie es des Öfteren auf Schäden. Jedes beschädigte Teil muss durch den autorisierten Kundendienst ordnungsgemäß repariert oder ausgetauscht werden.

**MACHEN SIE SICH MIT IHREM PRODUKT VERTRAUT**

Siehe Seite 131.

1. 3-in-1-Düse
2. Auslöseknopf
3. Sprühlanze
4. Einschaltsperr
5. Verschluss
6. Akkufach
7. Haltegriff
8. Ein-Ausschalter
9. Wassereinlauf / Zuflußöffnung
10. Schwimmer
11. Filter
12. Anschlußschlauch
13. Schnellverbindung

**SYMBOLS AUF DEM PRODUKT**



**WARNUNG**

Um das Risiko von Verletzungen zu minimieren, muss der Benutzer die Bedienungsanleitung lesen und verstehen bevor er dieses Produkt benutzt.



Tragen Sie eine Schutzbrille- und Gehörschutz.



Um das Risiko von Verletzungen durch den Hochdruck-Wasserstrahl zu verringern, sprühen Sie niemals direkt auf Personen oder Tiere.



**Rückschlag.** Um das Risiko von Verletzungen durch den Rückstoß zu verringern, halten Sie den Auslösergriff sicher in beiden Händen, wenn das Gerät eingeschaltet ist.



Das Gerät ist ohne Rückstausicherung nicht zum Anschließen an die Trinkwasserversorgung geeignet.



Richten Sie die Sprühlanze niemals auf Menschen, Tiere, das Gerät, die Stromversorgung oder andere elektrische Geräte.



**Explosionsrisiko**



Dieses Gerät entspricht allen gesetzlichen Normen des Landes der Europäischen Union, in dem es gekauft wurde.



**EurAsian Konformitätszeichen**



**Ukrainisches Prüfzeichen**



Elektrische Geräte sollten nicht mit dem übrigen Müll entsorgt werden. Bitte entsorgen Sie diese an den entsprechenden Entsorgungsstellen. Wenden Sie sich an die örtliche Behörde oder Ihren Händler, um Auskunft über die Entsorgung zu erhalten.

**SYMBOLS IN DIESER BEDIENUNGSANLEITUNG**



Teile oder Zubehör getrennt erhältlich



**HINWEIS**



**WARNUNG**



Mit den folgenden Symbolen wird die Bedeutung der verschiedenen Risikostufen, die mit dem Produkt einhergehen, dargestellt.

**⚠ GEFAHR**

Weist auf eine unmittelbare gefährliche Situation hin, die, falls nicht vermieden, zu Tod oder ernsthafter Verletzung führen kann.

**⚠ WARNUNG**

Weist auf eine mögliche gefährliche Situation hin, die, falls nicht vermieden, zu Tod oder ernsthafter Verletzung führen kann.

**⚠ VORSICHT**

Weist auf eine mögliche gefährliche Situation hin, die, falls nicht vermieden, zu einer leichten oder mittleren Verletzung führen kann.

**VORSICHT**

Ohne Sicherheitswarnsymbol

Bezeichnet eine Situation die zu Sachbeschädigungen führen kann.



La seguridad, el rendimiento y la fiabilidad han sido las máximas prioridades a la hora de diseñar este limpiador eléctrico inalámbrico.

### USO PREVISTO

El limpiador eléctrico inalámbrico está diseñado exclusivamente para su uso al aire libre.

El producto está diseñado para uso doméstico. Está diseñado para limpiar muebles exteriores, ventanas, automóviles o embarcaciones al eliminar la suciedad más incrustada mediante el uso de agua limpia, con o sin detergente.

El producto se debe utilizar en condiciones de buena iluminación.

No la use para ninguna otra finalidad.

#### ⚠ ADVERTENCIA

El producto está diseñado para usarse con un agente limpiador neutro suministrado o recomendado por el fabricante. El uso de otros agentes limpiadores o productos químicos podría afectar negativamente a la seguridad del producto.

### ALERTA DE SEGURIDAD GENERAL

#### ⚠ ADVERTENCIA

**Lea todas las advertencias de peligro e instrucciones.** El incumplimiento de las advertencias e instrucciones puede provocar descargas eléctricas, incendios y/o lesiones graves.

#### ⚠ ADVERTENCIA

El producto no debe usarse en el suministro de agua potable sin haber instalado un supresor de reflujo correspondiente a EN 12729 Tipo BA. El agua que fluye a través de un supresor de reflujo no se considera potable. No se permite la conexión del producto al suministro de agua.

- El producto no está diseñado para que lo usen niños ni personas con capacidades físicas, sensoriales o mentales reducidas o con falta de experiencia y conocimientos. Los niños deben estar adecuadamente supervisados para asegurarse de que no juegan con el producto.

- Use un equipo de protección individual completo cuando utilice el producto, como gafas de protección y protecciones auditivas.
- Para reducir el riesgo de lesiones, mantenga a los niños y a los transeúntes alejados. Todas las personas que se encuentren cerca de la zona de trabajo deben utilizar gafas de seguridad y mantener una distancia segura.
- Inspeccione los dispositivos de seguridad para comprobar si se encuentran en un buen estado de funcionamiento. Asegúrese de que todos los dispositivos de seguridad funcionan correctamente antes de cada uso:
  - Mango
    - El mango cuenta con una superficie de agarre que aumenta el control de la lanza de pulverización y ayuda a reducir la fatiga.
  - Botón de bloqueo
    - El botón de bloqueo bloquea el gatillo interruptor y evita que el chorro de alta presión se abra involuntariamente.
- No use el producto si hay piezas importantes dañadas, tales como dispositivos de seguridad o la lanza de pulverización.

#### ⚠ ADVERTENCIA

Es posible que se formen aerosoles al utilizar un limpiador eléctrico. La inhalación de aerosoles puede ser perjudicial para la salud.

#### ⚠ ADVERTENCIA

No gire la boquilla mientras acciona el gatillo. Si hay flujo de agua mientras se gira la boquilla, el canal de descarga liberará el agua. No se trata de una fuga, sino que permite la salida del agua sin dañar la herramienta.

- Un chorro a alta presión es peligroso si no se usa bien. No dirija el chorro hacia personas, equipo eléctrico con corriente ni hacia el propio producto.
- Para evitar riesgos de explosión, no pulverice líquidos inflamables.
- No utilice el chorro para limpiar ni su ropa ni sus zapatos, ni los de otra persona.

- Las mangueras, accesorios y acoplamientos son importantes para la seguridad del producto. Use solo mangueras, accesorios y acoplamientos recomendados por el fabricante.
- Algunas regiones tienen normas que limitan el uso del producto. Consulte con su autoridad local para obtener información.
- Antes de cada uso, compruebe que no haya daños. Las mangueras dañadas se deben sustituir de forma inmediata. Asegúrese de que todas las conexiones, como la lanza de pulverización y la boquilla, estén seguras. Desenrolle la manguera correctamente para que no se enrede o retuerza.
- Antes de comenzar la operación de limpieza, cierre puertas y ventanas. Despeje la zona que se vaya a limpiar de basura, juguetes, mobiliario de exterior u otros objetos que podrían suponer un peligro.
- No use el producto a temperaturas por debajo de 0°C.
- No use disolventes ácidos ni alcalinos, material inflamable, lejías ni soluciones de grado industrial para el producto. Tales productos pueden provocar lesiones físicas al usuario y daños irreversibles al producto.
- Familiarícese con los controles. Sepa cómo detener el producto y purgar la presión rápidamente.
- Esté siempre atento y controle su herramienta. Fíjese bien en lo que está haciendo y actúe con sentido común.
- No utilice el producto si está cansado, enfermo o bajo la influencia de drogas, alcohol o medicamentos. En un momento de descuido, mientras utiliza el producto podrían ocurrir lesiones personales graves.
- No utilice el aparato en caso de que el interruptor no encienda ni apague el aparato. Cualquier producto que no puede ser controlado con el interruptor de encendido es peligroso y debe ser reparado.
- Mantenga una distancia mínima de 30 cm cuando limpie vehículos. El chorro de alta presión puede dañar o reventar neumáticos del vehículo o las válvulas de los neumáticos.
- No se debe utilizar el producto si se ha caído, si se observan signos visibles de daños o si tiene una fuga.

#### **⚠ ADVERTENCIA**

Un chorro a alta presión puede ser peligroso si se somete a un mal uso. El chorro no debe dirigirse hacia personas, animales, dispositivos eléctricos o el propio producto.

- Sostenga el mango firmemente con ambas manos. El mango se desliza cuando se tira del gatillo debido a fuerzas de reacción. Si esto no ocurre, podría producirse una pérdida de control y lesionarse usted o a otros.
- Tenga precaución para evitar resbalar o caerse.
- Mantenga su pisada firme y su equilibrio. No se extienda demasiado. Si lo hace, podrá perder el equilibrio.
- No deje nunca el producto sin supervisión mientras esté conectado a la batería. Apague el producto y suéltelo únicamente cuando se haya detenido por completo. Mantenga el producto alejado de los niños cuando esté activado y reciba alimentación.
- Recargue la batería únicamente con el cargador especificado por el fabricante. Podría haber un riesgo de incendio cuando se utilice un cargador con una batería para la que no está diseñado.
- Cuando la batería no está en uso, manténgala alejada de otros objetos metálicos como clips, monedas, llaves, clavos, tornillos u otros objetos metálicos pequeños que puedan crear una conexión desde una terminal a otra. Causar un cortocircuito en los terminales de la batería puede causar quemaduras o un incendio.
- Mantenga la batería y el cargador lejos de condiciones húmedas.
- Use el producto solo con las baterías especificadas en este manual. Utilizar cualquier otro tipo de baterías puede causar lesiones o un riesgo de incendio.
- En condiciones abusivas, podría salir expulsado líquido de la batería, por lo que debería evitar el contacto con éste. Si se produce un contacto accidental, enjuáguese las manos con agua. Si el

líquido entra en contacto con los ojos, acuda inmediatamente al médico. Si el líquido es expulsado de la batería y entra en contacto con él, podría causar irritación o quemaduras.

- La batería tiene protección contra el sobrecalentamiento. Una temperatura excesiva hará que la batería deje de alimentar a la herramienta. Toque la batería; si está demasiado caliente, deje que se enfríe antes de continuar utilizándolo. Si la herramienta sigue sin funcionar, recargue la batería.

**NOTA:** El indicador LED de la batería no funcionará si la función de protección de la batería ha provocado que la batería deje de alimentar a la herramienta y que ésta se detenga. Suelte el botón de encendido/apagado o quite la batería del producto y el indicador LED de la batería volverá al funcionamiento normal.

#### **⚠ ADVERTENCIA**

No permita que el producto reciba salpicaduras de agua. Esto podría dañar la batería.

#### **⚠ ADVERTENCIA**

Para reducir el riesgo de incendio, lesión personales y daños al producto debido a un cortocircuito, no sumerja nunca la herramienta, el paquete de baterías o el cargador en líquido ni permita que fluya un fluido dentro de ellos. Los fluidos corrosivos o conductivos, como el agua de mar, ciertos productos químicos industriales y blanqueadores o lejías que contienen, etc., Pueden causar un cortocircuito.

### **RIESGOS RESIDUALES**

Incluso cuando se utiliza el producto según las instrucciones, sigue siendo imposible eliminar por completo ciertos factores de riesgo residuales. Pueden surgir los siguientes riesgos durante el uso y el operador debe prestar especial atención para evitar lo siguiente:

- Lesiones por vibración
  - Sujete el producto por los mangos destinados al efecto y limite el tiempo de funcionamiento y de exposición.

- Lesiones provocadas por restos despedidos.
  - Use siempre protección para los ojos.
- Lesiones a causa del ruido
  - Use protección para los oídos y limite el tiempo de exposición

### **REDUCCIÓN DEL RIESGO**

Se ha informado de que las vibraciones de las herramientas de mano puede contribuir a una condición llamada síndrome de Raynaud en ciertos individuos. Los síntomas pueden incluir hormigueo, entorpecimiento y decoloración de los dedos, generalmente aparentes cuando tiene lugar una exposición al frío. Se considera que los factores hereditarios, exposición al frío y a la humedad, dieta, tabaquismo y prácticas de trabajo contribuyen al desarrollo de estos síntomas. Existen medidas que pueden ser tomadas por el operador para reducir los efectos de vibración:

- Mantenga su cuerpo caliente durante el tiempo frío. Al manipular el producto, utilice guantes para mantener las manos y las muñecas calientes. Hay informes que indican que el tiempo frío es un gran factor que contribuye al síndrome de Raynaud.
- Después de cada período de funcionamiento, realice ejercicios para aumentar la circulación sanguínea.
- Haga pausas de trabajo frecuentes. Limite la cantidad de exposición por día.

Si siente alguno de los síntomas de esta enfermedad, interrumpa inmediatamente el uso y consulte a su médico estos síntomas.

#### **⚠ ADVERTENCIA**

El uso prolongado de una herramienta puede causar o agravar lesiones. Al utilizar cualquier herramienta durante períodos prolongados asegúrese de tomar descansos regulares.

### **TRANSPORTE Y ALMACENAMIENTO**

- Detenga el producto, extraiga la batería, y deje que se enfríe. Desconecte el producto del suministro de agua antes de guardarlo o transportarlo.
- Extraiga el agua de las mangueras y la bomba y vacíe el depósito de detergente antes de guardar el producto.

- Enrolle correctamente la manguera con sifón y guárdela con el limpiador eléctrico.
- Limpie todo el material extraño que pueda permanecer en el producto. Guárdelo en un lugar fresco, libre de heladas, seco y bien ventilado que sea inaccesible para los niños. No guarde el producto cerca de una caldera ni de otras fuentes de calor, ya que esto podría provocar el secado de las juntas de la bomba. Almacene el producto lejos de agentes corrosivos como sales de deshielo y productos químicos de jardín. No guarde el producto a la intemperie.
- Para transportar el producto, sujételo de modo que no se mueva ni se caiga para evitar lesiones personales o daños al producto.

#### ⚠ ADVERTENCIA

Guarde siempre el producto en interior. Guardarlo en una zona con una temperatura inferior a 0 ° dañará el producto.

### TRANSPORTE DE BATERÍAS DE LITIO

Transporte de baterías de acuerdo con las disposiciones y reglamentos nacionales y locales.

Cumpla todos los requisitos especiales relativos al embalaje y etiquetado cuando el transporte de baterías se lleve a cabo por un tercero. Asegúrese de que, durante el transporte, las baterías no entran en contacto con otras baterías o materiales conductores protegiendo los conectores expuestos con tapones o tapas aislantes de material no conductor. No transporte baterías que tengan grietas o fugas. Consulte a la empresa de transporte para obtener más asesoramiento.

### MANTENIMIENTO

#### ⚠ ADVERTENCIA

Utilice sólo piezas y accesorios de recambio originales del fabricante. Si no lo hace podría ocurrir un mal funcionamiento, podrían producirse daños o podría quedar anulada la garantía.

#### ⚠ ADVERTENCIA

Las reparaciones requieren tener mucho cuidado y conocimiento y sólo debe realizarse por un técnico de servicio calificado. Solicite la reparación del producto únicamente en un centro de servicio autorizado. Utilice solo recambios originales del fabricante para las operaciones de mantenimiento.

- Detenga el producto, extraiga la batería, y deje que se enfríe. Desconecte el producto del suministro de agua antes de:
  - limpiar el producto
  - realizar el mantenimiento del producto
  - sustituir piezas
- Usted solo puede realizar los ajustes o reparaciones descritos en este manual. Para otras reparaciones o consejos, busque la ayuda de un centro de servicio autorizado.
- Inspeccione con regularidad y realice las labores de mantenimiento del producto para un funcionamiento seguro. Asegúrese de que el compartimento de la batería esté bien montado y cerrado, y compruebe con frecuencia si ha sufrido daños. Cualquier pieza dañada debe ser sustituida o reparada adecuadamente por un centro de servicio autorizado.

### CONOZCA SU PRODUCTO

Véase la página 131.

1. Boquilla 3-en-1
2. Botón de liberación
3. Varilla del espray
4. Botón de bloqueo
5. Cierre
6. Compartimento de la batería
7. Mango
8. Gatillo interruptor
9. Entrada de agua
10. Flotador
11. Filtrar
12. Manguera de sifón
13. Conector rápido

## SÍMBOLOS EN EL PRODUCTO



Advertencia



Para reducir el riesgo de heridas, lea atentamente y comprenda el presente manual de utilización antes de utilizar la herramienta.



Utilice gafas de protección y otros dispositivos de protección para los oídos.



Para reducir el riesgo de lesión debida a la inyección de alta presión, no dirija la pulverización hacia personas ni animales.



Retroceso. Para reducir el riesgo de lesión por retroceso, sostenga el mango del gatillo firmemente con ambas manos cuando el producto esté encendido.



El producto no debe conectarse al suministro de agua corriente sin supresor de reflujo.



Nunca apunte con la lanza pulverizadora hacia personas, animales, la estructura de la máquina, el suministro eléctrico o cualquier aparato eléctrico.



Peligro de explosión



Esta herramienta responde a todas las normas reglamentarias del país de la UE donde se ha comprado.



Certificado EAC de conformidad



Marca de conformidad ucraniana



Los productos eléctricos de desperdicio no deben desecharse con desperdicios caseros. Por favor recíclelos donde existan dichas instalaciones. Compruebe con su autoridad local o minorista para reciclar.

## SÍMBOLOS EN ESTE MANUAL



Las piezas o accesorios se venden por separado



Nota



Advertencia

Los siguientes símbolos y palabras detallan los niveles de cuidado necesarios para usar este producto.

### ⚠ PELIGRO

Indica una situación potencialmente peligrosa que, de no evitarse, puede ocasionar la muerte o heridas de gravedad.

### ⚠ ADVERTENCIA

Indica una situación peligrosa que, de no evitarse, puede ocasionar la muerte o heridas de gravedad.

### ⚠ ADVERTENCIA

Indica una situación potencialmente peligrosa que, de no evitarse, puede ocasionar heridas leves.

### ADVERTENCIA

Sin símbolo de alerta de seguridad Indica una situación que puede causar daños en las cosas.

Durante la progettazione di questo pulitore elettrico a batteria è stata data la massima priorità a sicurezza, prestazioni e affidabilità.

### UTILIZZO RACCOMANDATO

Il pulitore elettrico a batteria è destinato esclusivamente all'uso esterno.

Prodotto disegnato per utilizzo privato o domestico. È pensato per pulire arredo del patio, finestre, automobili, barche con la rimozione dello sporco più ostinato utilizzando acqua pulita con o senza detergente.

Il prodotto deve essere utilizzato in condizioni di buona illuminazione.

Non utilizzare per altri scopi.

### ⚠ AVVERTENZA

Il pulitore ad alta pressione è stato progettato per l'utilizzo con un agente detergente neutro in dotazione o raccomandato dal produttore. L'utilizzo di altri agenti o sostanze chimiche di pulizia potrebbe influire sulla sicurezza del prodotto.

### AVVERTENZE GENERALI DI SICUREZZA

#### ⚠ AVVERTENZA

**Leggere tutte le avvertenze di sicurezza e le istruzioni.** La mancata osservanza di tutte le istruzioni potrà causare scosse elettriche, incendi e/o gravi lesioni personali.

#### ⚠ ATTENZIONE

Il pulitore non deve essere utilizzato su forniture di acqua potabile senza disporre di un dispositivo per la prevenzione dell'inquinamento da riflusso equivalente a EN 12729 Tipo BA. L'acqua che scorre attraverso il dispositivo per la prevenzione dell'inquinamento da riflusso è considerata non potabile. Il prodotto non si può collegare alla rete idrica.

- Il prodotto non deve essere utilizzato da bambini o da individui con ridotte capacità fisiche, mentali o sensoriali, oppure da persone che non dispongono di esperienza e conoscenza. Supervisionare adeguatamente i bambini per assicurarsi che non giochino con il prodotto.

- Indossare equipaggiamento di protezione individuale completo quando si utilizza il prodotto, come caschi di sicurezza con visiera e protezione per le orecchie.
- Tenere a distanza bambini e passanti per ridurre il rischio di lesioni. Tutti i passanti devono indossare occhiali di sicurezza e tenersi a distanza dall'aria di lavoro.
- Ispezionare i dispositivi di sicurezza per accertarsi che siano in buone condizioni operative. Prima di ciascun utilizzo, accertarsi che i dispositivi di sicurezza stiano funzionando correttamente:
  - Presa maniglia
    - La maniglia ha una superficie antiscivolo che fornisce un maggiore controllo dell'asta e consente di ridurre la fatica.
  - Sicura
    - La sicura blocca il grilletto per prevenire l'apertura accidentale del getto ad alta pressione.
- Non utilizzare il prodotto se le parti importanti sono danneggiate, come i dispositivi di sicurezza o l'asta.

#### ⚠ AVVERTENZA

Durante l'uso delle pulitrici elettriche si potrebbero formare delle vaporizzazioni. L'inalazione delle vaporizzazioni è pericolosa per la salute.

#### ⚠ AVVERTENZA

Non ruotare l'ugello mentre si tira il grilletto. Se l'acqua fluisce mentre è attivato l'ugello, il canale di rilascio rilascerà l'acqua. Non si tratta di una perdita, ma consente all'acqua di fuoriuscire senza danneggiare lo strumento.

- Il getto ad alta pressione è pericoloso se utilizzato male. Non rivolgere il getto verso persone, apparecchiature elettriche sotto tensione o il prodotto stesso.
- Per evitare rischi di esplosione, non spruzzare i liquidi infiammabili.
- Non dirigere il getto verso se stessi o gli altri al fine di pulire indumenti o calzature.
- I tubi flessibili, i raccordi e gli agganci sono importanti per la sicurezza del prodotto. Utilizzare soltanto tubi flessibili, raccordi e agganci consigliati dal produttore.





- Alcune regioni hanno norme che limitano l'utilizzo del prodotto. Rivolgersi alle autorità locali per eventuali consigli.
- Verificare la presenza di danni prima di ogni utilizzo. I tubi danneggiati devono essere sostituiti immediatamente. Accertarsi che tutte le connessioni, come asta di erogazione e ugello siano ben salde. Srotolare il tubo flessibile attentamente, facendo attenzione che non si attorcigli né si pieghi.
- Prima di avviare l'operazione di pulizia, chiudere porte e finestre. Pulire l'area in modo che sia priva di detriti, giocattoli, mobili per ambienti esterni o altri oggetti che potrebbero costituire un pericolo.
- Non utilizzare il prodotto a temperature inferiori a 0° C.
- Non utilizzare sostanze acide, alcaline, solventi, materiale infiammabile, candeggine o soluzioni di grado industriale nel prodotto. Queste sostanze possono causare lesioni fisiche all'operatore e danni irreversibili al prodotto.
- Fare sempre attenzione e mantenere il controllo dell'apparecchio. Fare sempre attenzione alle operazioni che si effettuano e agire con buon senso.
- Non usare il prodotto in caso di stanchezza, malessere o sotto gli effetti di droghe, alcool o farmaci. Un momento di disattenzione mentre si mette in funzione il prodotto potrà causare gravi lesioni personali.
- Non utilizzare il prodotto se l'interruttore non si accende o spegne. Un prodotto che non può essere controllato dall'interruttore è pericoloso e deve essere riparato.
- Mantenere una distanza minima di 30 cm quando si puliscono i veicoli. Il getto ad alta pressione potrebbe danneggiare o forare gli pneumatici e/o le valvole degli pneumatici del veicolo.
- Il prodotto non deve essere utilizzato se è caduto, se ci sono segni visibili di danni o perdite.

#### AVVERTENZE SULLA SICUREZZA DELLA BATTERIA

- ⚠ AVVERTENZA**

Il getto ad alta pressione può essere pericoloso se utilizzato male. Il getto non deve essere rivolto verso persone, animali, dispositivi elettrici o il prodotto stesso.
- Afferrare l'impugnatura con entrambe le mani. A causa delle forze di reazione, aspettarsi che l'impugnatura si muova quando il grilletto viene tirato. La mancata osservanza di questa precauzione potrebbe causare la perdita di controllo e lesioni all'operatore e agli altri.
  - Procedere con cautela per evitare scivolamenti o cadute.
  - Mantenere sempre un appoggio saldo e l'equilibrio. Non protendersi. Protendersi potrà causare una perdita di equilibrio.
  - Non lasciare mai il prodotto incustodito mentre è collegato al pacco batteria. Spegnerne il prodotto e lasciare che si fermi completamente. Tenere il prodotto fuori dalla portata dei bambini quando è in corrente.
  - Familiarizzarsi con i comandi. Essere a conoscenza di come arrestare il prodotto e spurgare la pressione rapidamente.

- Ricaricare le batterie solo con il caricabatterie specificato dal produttore. Un caricatore adatto per un tipo di batterie potrà creare un rischio di incendio se utilizzato con un altro gruppo batterie.
- Quando il gruppo batterie non viene utilizzato, tenerlo lontano da oggetti in metallo come fermagli, monete, chiavi, chiodi, viti o altri piccoli oggetti che potranno fare da tramite da un terminale all'altro. Cortocircuitare i terminali della batteria assieme potrà causare scottature o incendi.
- Mantenere la batteria e il caricabatteria lontano dagli ambienti bagnati e umidi.
- Utilizzare il prodotto soltanto con le batterie specificate nel presente manuale. L'utilizzo di gruppi batteria diversi da quelli indicati potrà causare rischi di lesioni e incendi.
- Se sottoposto a stress, la batteria potrà perdere dei liquidi; evitare il contatto. Se si entra accidentalmente in contatto con tali liquidi, lavarsi immediatamente con acqua. In caso di contatto con gli occhi, rivolgersi immediatamente a un medico. Il liquido espulso dalla batteria potrà causare irritazioni o scottature.



- Il gruppo batteria viene protetto da sovraccarico. Le batterie non funzioneranno in temperature estreme. Toccare le batterie: se sono troppo calde, lasciarle raffreddare prima di riprendere l'utilizzo. Se l'utensile non funziona, ricaricare la batteria.

**NOTA:** Il LED indicatore del gruppo batterie non funzionerà se il dispositivo di protezione della batteria avrà bloccato l'alimentazione dell'utensile. Rilasciare il pulsante di accensione o rimuovere la batteria dal prodotto; l'indicatore LED della batteria riprenderà a funzionare normalmente.

#### ▲ AVVERTENZA

Non spruzzare l'acqua sul prodotto. Si potrebbe danneggiare il pacco batteria.

#### ▲ AVVERTENZA

Per ridurre il rischio d'incendio, di lesioni o di danni al prodotto causati da corto circuito, non immergere mai l'utensile, la batteria ricaricabile o il carica batterie in un liquido e non lasciare mai penetrare alcun liquido all'interno dei dispositivi e delle batterie. I fluidi corrosivi o conduttori come acqua salata, alcuni agenti chimici, agenti candeggianti o prodotti contenenti agenti candeggianti potrebbero provocare un corto circuito.

#### RISCHI RESIDUI

Anche quando il prodotto viene utilizzato come indicato, è impossibile eliminare completamente alcuni fattori di rischio residuo. Si potranno correre i seguenti rischi durante l'utilizzo e l'operatore dovrà fare particolare attenzione per evitare quanto segue:

- Lesioni causate da vibrazioni
  - Reggere il prodotto dai manici e limitare i tempi di utilizzo e l'esposizione.
- Lesioni causate da detriti scagliati.
  - Indossare sempre protezioni per gli occhi.
- Lesioni causate dal rumore.
  - Indossare cuffie di protezione e limitare l'esposizione.

#### RIDUZIONE DEL RISCHIO

Si è accertato che le vibrazioni causate da utensili a mano possono contribuire a causare una condizione chiamata Sindrome di Raynaud in alcune persone. I sintomi, comprendenti formicolio, intorpidimento e perdita di colore alle dita, si verificano di solito quando ci si espone al freddo. Fattori ereditari, esposizione a freddo e umidità, una dieta scorretta, fumo e condizioni di lavoro non sicure potranno contribuire allo sviluppo di questi sintomi. È possibile prendere delle precauzioni per ridurre le vibrazioni:

- Tenere il corpo al caldo a basse temperature. Quando si utilizza il prodotto indossare guanti per tenere le mani e i polsi caldi. Le basse temperature contribuiscono a causare la Sindrome di Raynaud.
- Dopo aver utilizzato l'utensile per un certo periodo, fare degli esercizi per stimolare la circolazione del sangue.
- Fare spesso delle pause. Limitare la quantità di esposizione giornaliera.

Nel caso in cui si provino i sintomi di questa condizione, interrompere immediatamente l'utilizzo dell'utensile e consultare un dottore.

#### ▲ AVVERTENZA

Il prolungato utilizzo dell'utensile potrà causare o aggravare lesioni. Quando si utilizza questo utensile per periodi di tempo prolungati, assicurarsi di fare sempre delle pause regolari.

#### TRASPORTO E RIPONIMENTO

- Arrestare il prodotto, rimuovere la batteria e lasciare che il prodotto si raffreddi. Disconnettere il prodotto dalla fornitura dell'acqua prima dell'immagazzinaggio o del trasporto.
- Rimuovere l'acqua da tutti i tubi flessibili e dalla pompa, e svuotare il serbatoio del detergente prima di immagazzinare il prodotto.
- Avvolgere con cura il tubo flessibile del sifone e conservarlo con la pulitrice.
- Rimuovere eventuali materiali di scarto dal prodotto. Conservare in un luogo freddo, asciutto, privo di brina e ben ventilato, non accessibile ai bambini. Non conservare



il prodotto vicino a fonti di calori che potrebbero seccare le guarnizioni della pompa. Tenere il prodotto lontano da agenti corrosivi come agenti chimici da giardino e sali scongianti. Non conservare il prodotto all'aperto.

- Per il trasporto, assicurare il prodotto contro ogni movimento o contro eventuali cadute per evitare lesioni a persone o danni al prodotto.

#### **⚠ AVVERTENZA**

Conservare il prodotto solo al chiuso. La conservazione del prodotto a una temperatura inferiore agli 0 °C danneggerà il prodotto.

### **TRASPORTO BATTERIE AL LITIO**

Trasportare le batterie rispettando quanto indicato dalle norme e regolamentazioni locali.

Far rispettare quanto indicato sulle etichette e sull'involucro quando la batteria viene trasportata da terzi. Assicurarsi che le batterie non entrino in contatto con altre batterie o con materiali conduttivi mentre si trasportano proteggendo connettori esposti con tappi o nastro isolante e non conduttivo. Non trasportare batterie rotte o che perdono liquidi. Consultare la ditta produttrice per eventuali ulteriori consigli.

### **MANUTENZIONE**

#### **⚠ AVVERTENZA**

Utilizzare solo parti di ricambio, accessori e dispositivi originali della ditta produttrice. In caso contrario si potranno causare lesioni, prestazioni basse e la garanzia verrà invalidata.

#### **⚠ AVVERTENZA**

Le operazioni di manutenzione devono essere svolte con grande attenzione e accortezza solo da un tecnico qualificato. Far riparare il prodotto esclusivamente da un centro assistenza autorizzato. Quando si svolgono le operazioni di manutenzione, utilizzare solo parti di ricambio originali della ditta produttrice.

- Arrestare il prodotto, rimuovere la batteria e lasciare che il prodotto si raffreddi. Disconnettere il prodotto dalla fornitura dell'acqua prima di:

- Pulire il prodotto
- effettuare la manutenzione del prodotto
- sostituire le parti di ricambio

- Sarà solo possibile svolgere le regolazioni o riparazioni indicate nel presente manuale. Per altre riparazioni o consigli, rivolgersi a un centro servizi autorizzato.

- Esaminare ed effettuare la manutenzione regolarmente del pulitore per garantire un funzionamento sicuro. Assicurarsi che il vano della batteria sia correttamente montato, ben chiuso e controllare la presenza di danni. Riparare eventuali parti danneggiate o farle sostituire da un centro servizi autorizzato.

### **FAMILIARIZZARE CON IL PRODOTTO**

*Vedere pagina 131.*

1. Ugello 3-in-1
2. Pulsante di sblocco
3. Bacchetta spruzzatore
4. Sicura
5. Linguetta
6. Scomparto batteria
7. Presa maniglia
8. Interruttore a grilletto
9. Ingresso dell'acqua
10. Galleggiante
11. Filtro
12. Sifone flessibile
13. Raccordo rapido

### **SIMBOLI SUL PRODOTTO**



Avvertenze

Per ridurre i rischi di lesioni, è indispensabile leggere attentamente e comprendere il presente manuale d'uso prima di utilizzare l'apparecchio.



Indossare occhiali e cuffie di protezione.





Per ridurre il rischio di lesioni dovute all'iniezione ad alta pressione, non spruzzare direttamente verso persone o animali.



Contraccolpo. Per ridurre il rischio di lesione da contraccolpo, tenere ben salda la maniglia del grilletto con entrambe le mani quando il prodotto è acceso.



Il prodotto non è idoneo per la connessione a tubature dell'acqua potabile se non è presente un dispositivo di prevenzione del riflusso.



Non puntare mai la lancia di erogazione verso persone, animali, il corpo della macchina, la fornitura di alimentazione o altri apparecchi elettrici.



Pericolo di scoppio



Questo apparecchio è conforme a tutte le norme vigenti nel paese dell'UE in cui è stato acquistato.



Marchio di conformità EurAsian



Marchio di conformità ucraino



I prodotti elettrici non devono essere smaltiti con i rifiuti domestici. Vi sono strutture per smaltire tali prodotti. Informarsi presso il proprio Comune o rivenditore di sicurezza per smaltire adeguatamente tali rifiuti.

## SIMBOLI NEL PRESENTE MANUALE



Parti o accessori venduti separatamente



Note



Avvertenze

I seguenti simboli indicano i livelli di rischio associati a questo prodotto.

### **PERICOLO**

Indica una situazione pericolosa che, se non evitata attentamente, potrà causare gravi lesioni alla persona o morte.

### **AVVERTENZA**

Indica una situazione potenzialmente pericolosa che, se non evitata attentamente, potrà causare gravi lesioni alla persona o morte

### **ATTENZIONE**

Indica una situazione potenzialmente pericolosa che, se non evitata attentamente, potrà causare lesioni minori o moderate alla persona.

### **ATTENZIONE**

Senza simbolo di allerta di sicurezza  
Indica una situazione che potrà risultare in gravi danni a cose.

Bij het ontwerp van uw snoerloze elektrische reiniger hebben veiligheid, prestaties en betrouwbaarheid de hoogste prioriteit verkregen.

### VOORGESCHREVEN GEBRUIK

De snoerloze elektrische reiniger is uitsluitend bedoeld voor gebruik buitenshuis.

Het product is geschikt voor huishoudelijk gebruik. Het is bedoeld voor het reinigen van terrasmeubilair, ramen, auto's, boten door het verwijderen van hardnekkig vuil met behulp van schoon water met of zonder reinigingsmiddel.

Het apparaat moet worden gebruikt onder goed verlichte omstandigheden.

Gebruik niet voor andere doeleinden.

### ⚠ WAARSCHUWING

Ontworpen voor gebruik met een door de fabrikant aanbevolen of geleverd neutraal reinigingsmiddel. Het gebruik van andere reinigingsmiddelen of chemicaliën kan een negatieve invloed hebben op de veiligheid van het apparaat.

### ALGEMENE VEILIGHEIDSWAARSCHUWINGEN

### ⚠ WAARSCHUWING

**Lees alle veiligheidswaarschuwingen en instructies.** Wanneer niet de waarschuwingen en instructies niet opvolgt, kan dit leiden tot elektrische schok en/of ernstig letsel.

### ⚠ LET OP

Het apparaat mag niet gebruikt worden bij een drinkwatervoorziening zonder gemonteerde terugslagklep die aan EN 12729 Type BA voldoet. Water dat door een terugslagklep stroomt, wordt als ondrinkbaar beschouwd. Het apparaat mag niet worden aangesloten op de watervoorziening.

- Het apparaat is niet bedoeld voor gebruik door kinderen of personen met verminderde lichamelijke, zintuiglijke of geestelijke vermogens, of met onvoldoende ervaring en kennis. Kinderen moeten onder toezicht staan om ervoor te zorgen dat ze niet met het product spelen.

- Draag bij gebruik van het apparaat een persoonlijke beschermingsuitrusting, zoals een veiligheidsbril en gehoorbescherming.
- Houd kinderen en omstanders uit de buurt om het risico op letsel te verminderen. Alle omstanders moeten een veiligheidsbril dragen en op een veilige afstand van het werkgebied worden gehouden.
- Controleer de goede werking en toestand van alle veiligheidsvoorzieningen. Zorg er vóór elk gebruik voor dat alle veiligheidsvoorzieningen goed werken:
  - Handgreep
    - De handgreep heeft een geribbeld oppervlak dat zorgt voor extra controle over de sproeistok en helpt bij het verminderen van vermoeidheid.
  - Vergrendelknop
    - De vergrendelknop vergrendelt de trigger en voorkomt onbedoeld openen van de hogedrukspuit.
- Gebruik het apparaat niet als belangrijke onderdelen beschadigd zijn, zoals de veiligheidsvoorzieningen of de trigger.

### ⚠ WAARSCHUWING

Tijdens het gebruik van de hogedrukreinigers kunnen er aerosolen worden gevormd. Inademing van aerosolen kan gevaarlijk zijn voor de gezondheid.

### ⚠ WAARSCHUWING

Draai niet aan de sproeier terwijl u de trigger bedient. Als het water stroomt terwijl de sproeier wordt gedraaid, zal het ontlastingskanaal het water vrijgeven. Dit is geen lekkage, maar laat het water ontsnappen zonder het apparaat te beschadigen.

- Bij onjuist gebruik is een hogedrukstraal gevaarlijk. Richt de straal niet op mensen, ingeschakelde elektrische apparaten, of op het apparaat zelf.
- Om explosiegevaar te vermijden, niet met brandbare vloeistoffen spuiten.
- Richt de straal niet rechtstreeks op uzelf of anderen om kleding of schoenen te reinigen.
- Slangen, fittingen en koppelingen zijn belangrijk voor de veiligheid van het apparaat. Gebruik alleen door de fabrikant aanbevolen slangen, fittingen en koppelingen.



- Enkele regio's hebben regels die het gebruik van het product beperken. Raadpleeg uw lokale autoriteit voor advies.
- Controleer vóór elk gebruik op schade. Beschadigde slangen moeten onmiddellijk worden vervangen. Zorg ervoor dat alle aansluitingen, zoals sproeistok en spuitstuk, goed vastzitten. Wikkel de slang correct af, zodat deze niet wordt gedraaid of geknikt.
- Sluit deuren en ramen voordat u gaat reinigen. Verwijder vuil, speelgoed, tuinmeubilair, of andere voorwerpen die gevaar kunnen opleveren uit het te reinigen gebied.
- Het apparaat niet gebruiken in temperaturen onder 0°C.
- Gebruik geen zuren, logen, oplosmiddelen, brandbaar materiaal, bleekmiddelen, of industriële oplossingen in het apparaat. Deze producten kunnen lichamelijk letsel aan de gebruiker, en onherstelbare schade aan het apparaat veroorzaken.
- Wees altijd oplettend en zorg dat u uw gereedschap de baas blijft. Concentreer u op wat u doet en gebruik uw gezonde verstand.
- Gebruik het product niet als u moe, ziek of onder de invloed van drugs, alcohol of medicijnen bent. Een ogenblik van onoplettendheid tijdens het gebruik van het product kan leiden tot ernstige persoonlijke letsels.
- Gebruik het product niet als de schakelaar het product niet in- of uitschakelt. Een product dat niet met de schakelaar kan worden bediend, is gevaarlijk en moet worden gerepareerd.
- Houd minstens 30 cm afstand bij het reinigen van voertuigen. De hogedrukstraal kan banden en/of de kleppen van banden beschadigen of laten barsten.
- Het apparaat mag niet worden gebruikt als het is gevallen, als er zichtbare tekenen van schade zijn of als het lekkage vertoont.

#### **⚠ WAARSCHUWING**

Hogedrukstralen kunnen bij onjuist gebruik gevaarlijk zijn. De straal mag niet worden gericht op mensen, dieren, elektrische apparatuur, of het apparaat zelf.

- Houd de handgreep stevig met twee handen vast. Door reactieve krachten komt de trekker in beweging bij het overhalen van de trekker. Wanneer u hier niet op bent voorbereid, kunt u de controle over het apparaat verliezen en letsel aan uzelf en anderen toebrengen.
- Wees voorzichtig om uitglijden of vallen te voorkomen.
- Bewaar steeds een stevige houvast en goed evenwicht. Overrek u niet. Rek u niet uit, waardoor u uw evenwicht kunt verliezen.
- Laat het apparaat nooit onbeheerd achter terwijl het is aangesloten op de accu. Schakel het apparaat uit en ga pas weg als het volledig tot stilstand komt. Houd het apparaat buiten het bereik van kinderen wanneer het onder spanning staat.
- Raak vertrouwd met de bediening. Leer hoe u het apparaat kunt stopzetten en de druk snel kunt ontlasten.
- Laad de accu alleen op met de oplader die door de fabrikant is aangegeven. Een oplader die voor een type accupack is geschikt kan een brandgevaar betekenen wanneer het met een ander accupack wordt gebruikt.
- Wanneer het accupack niet wordt gebruikt, moet u het weg houden van andere metalen objecten, zoals papierclips, munten, sleutels, spijkers, schroeven of andere kleine metalen voorwerpen die een verbinding kan maken van een terminal naar een andere. De batterijterminals kortsluiten kan leiden tot brandwonden of brand.
- De accu en oplader uit de buurt houden van natte en vochtige omstandigheden.
- Gebruik voor het apparaat alleen de accu die in deze handleiding is aangegeven. Het gebruik van andere accupacks kan leiden tot risico's op letsels en brand.
- In oneigenlijke omstandigheden, kan een vloeistof uit de accu lekken; vermijd contact hiermee. Als per ongeluk contact voorkomt, spoelt u met water. Als er vloeistof in contact komt met de ogen, raadpleegt u onmiddellijk medische hulp.

#### **VEILIGHEIDSWAARSCHUWINGEN VOOR ACCUPAKKET**



Vloeistof die uit de accu lekt, kan irritatie of brandwonden veroorzaken.

- Het batterijpack beschikt over oververhittingsbescherming. Te hoge temperaturen zullen ervoor zorgen dat de accu het werktuig niet langer aandrijft. Voel of de accu oververhit is; als dit zo is, laat hem dan afkoelen voordat u verder gaat met maaien. Als het werktuig nog steeds niet werkt, laadt u de accu opnieuw op.

**OPMERKING:** Het LED-controlelampje van het accupack zal niet werken als de accubeschermingseigenschap ervoor gezorgd heeft dat het accupack het werktuig niet langer aandrijft. Laat de aan-uit-knop los of verwijder de accu uit het product zodat de led-indicator van de accu zijn normale functie hervat.

#### ⚠ WAARSCHUWING

Spat geen water op het apparaat. Dit kan de accu beschadigen.

#### ⚠ WAARSCHUWING

Voorkom brand, persoonlijk letsel of materiële schade door kortsluiting en dompel het gereedschap, de wisselaccu en het laadtoestel niet onder in vloeistoffen en waarborg dat geen vloeistoffen in de apparaten en accu's kunnen dringen. Corrosieve of geleidende vloeistoffen zoals zout water, bepaalde chemicaliën, bleekmiddelen of producten die bleekmiddelen bevatten, kunnen een kortsluiting veroorzaken.

#### RESTRISICO'S

Zelfs wanneer het product zoals voorgeschreven wordt gebruikt, is het nog steeds onmogelijk om bepaalde restrisico's volledig te elimineren. De volgende gevaren kunnen ontstaan tijdens het gebruik en de bediener moet bijzondere aandacht hebben om de volgende situaties te voorkomen:

- Letsels veroorzaakt door trillingen
  - Houd het product uitsluitend vast aan de handvatten en beperk de bedrijfs- en blootstellingstijd.
- Letsel veroorzaakt door rondvliegend puin.
  - Draag altijd gezichtsbescherming.

- Verwondingen veroorzaakt door geluid.
  - Draag gehoorbescherming en beperk de blootstelling.

#### RISICOBEPERKING

Er zijn meldingen dat trillingen van handwerktuigen bij sommige mensen bijdragen tot het Syndroom van Raynaud. Symptomen kunnen ondermeer tintelingen, gevoelloosheid en bleek worden van de vingers omvatten, wat normaal gezien duidelijk wordt bij blootstelling aan koude. Erfelijke factoren, blootstelling aan koude en vocht, dieet, roken en werkroutine kunnen allemaal bijdragen tot de ontwikkeling van deze symptomen. Er kunnen door de bediener maatregelen worden genomen om de gevolgen van de trillingen te beperken:

- Houd bij koud weer uw lichaam warm. Draag handschoenen terwijl u het product gebruikt om de handen en polsen warm te houden. Men neemt aan dat koud weer een belangrijke factor is die bijdraagt tot het Syndroom van Raynaud.
- Doe oefeningen om de bloeddoorstroming te bevorderen na elke periode van gebruik.
- Neem regelmatig een pauze. Beperk het aantal uren dat u per dag wordt blootgesteld.

Wanneer u enige van de symptomen van deze aandoening ervaart, stop dan onmiddellijk met het gebruik van het toestel en raadpleeg uw dokter

#### ⚠ WAARSCHUWING

Letsels kunnen worden veroorzaakt of ernstiger worden door verlengd gebruik van een werktuig. Als u een werktuig gedurende langere periodes gebruikt, neem dan regelmatig pauze.

#### TRANSPORT EN OPSLAG

- Stop het apparaat, verwijder de accu en laat het apparaat afkoelen. Koppel het apparaat vóór de opslag of het vervoer los van de watertoevoer.
- Vóór opslag van het apparaat het water uit alle slangen en de pomp verwijderen, en de tank voor reinigingsmiddel legen.
- Rol de hevelsling netjes op en berg hem op samen met de reiniger.

- Verwijder alle vreemde voorwerpen van het product. Bewaar het apparaat op een koele, vorstvrije, droge en goed geventileerde plaats die niet toegankelijk is voor kinderen. Bewaar het apparaat niet in de buurt van een oven of andere warmtebronnen, die de pompafdichtingen kunnen uitdrogen. Houd het product weg van corrosieve producten, zoals tuinchemicaliën en ontdooingszout. Sla het product niet buitenshuis op.
- Voor transport beveiligd u het product tegen bewegen of vallen om lichamelijke letsels of schade aan het product te voorkomen.

#### ⚠ WAARSCHUWING

Sla het apparaat alleen binnen op. Opslaan in een omgeving met temperatuur onder 0°C zal het apparaat beschadigen.

### LITHIUMBATTERIJEN TRANSPORTEREN

De accu's dienen in overeenstemming met de plaatselijk en nationale regelgeving te worden getransporteerd.

Respecteer alle speciale voorwaarden op de verpakking en etikettering wanneer u de accu's door derden laat transporteren. Zorg ervoor dat de accu's tijdens het transport niet in contact komen met andere batterijen of geleidende materialen door blootliggende connectoren met isolerende, niet-geleidende doppen of plakband te beschermen. Transporteer geen accues die lekken of gebarsten zijn. Overleg met het transportbedrijf voor verder advies.

### ONDERHOUD

#### ⚠ WAARSCHUWING

Gebruik uitsluitend originele vervangonderdelen, accessoires en voorzetstukken van de fabrikant. Als u dit niet doet, kan dit mogelijks letsels of slechte prestaties veroorzaken waardoor uw garantie kan vervallen.

#### ⚠ WAARSCHUWING

Het onderhoud vereist extreme voorzichtigheid en deskundigheid en mag enkel door een gekwalificeerde onderhoudstechnicus worden uitgevoerd. Het product mag uitsluitend door een erkend servicecentrum worden gerepareerd. Gebruik uitsluitend originele vervangonderdelen wanneer u onderhoudswerken aan de machine uitvoert.

- Stop het apparaat, verwijder de accu en laat het apparaat afkoelen. Koppel het apparaat los van de watertoevoer vóór het onderstaande:
  - het product reinigen
  - onderhoud aan het apparaat
  - vervanging van onderdelen
- U mag uitsluitend de afstellingen of herstellingen uitvoeren die in deze gebruiksaanwijzing worden beschreven. Voor andere herstellingen of advies, vraagt u hulp in een geautoriseerd onderhoudscentrum.
- Voor veilig gebruik het apparaat regelmatig inspecteren en onderhouden. Zorg ervoor dat het accucompartiment is bevestigd, goed is afgesloten en controleer regelmatig op beschadigingen. Een beschadigd onderdeel moet door een geautoriseerd onderhoudscentrum goed worden gerepareerd of vervangen.

### KEN UW PRODUCT

Zie pagina 131.

1. 3-in-1-spuitstuk
2. Ontgrendelingsknop
3. Sproeier
4. Vergrendelknop
5. Knipsluiting
6. Accucompartiment
7. Handgreep
8. Trekschakelaar
9. Watertoevoer
10. Drijver
11. Filter
12. Hevelslang
13. Snelconnector



**SYMBOLEN OP HET PRODUCT**



Waarschuwing



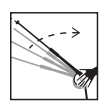
Om gevaar voor lichamelijk letsel te verminderen dient u deze gebruikshandleiding absoluut goed door te lezen en te begrijpen voordat u het apparaat gaat gebruiken.



Draag gezichts- en gehoorbescherming.



Spuit niet rechtstreeks op mensen of dieren om het risico op letsel als gevolg van hogedrukinjectie te verminderen.



Terugslag. Om het risico op letsel door terugslag te verminderen, moet u de trekker stevig met beide handen vasthouden als het product is ingeschakeld.



Het apparaat is zonder terugstroombeveiliging niet geschikt voor aansluiting op het drinkwaternet.



Richt de spuitsteel nooit op mensen, dieren, het apparaat zelf, de voeding, of een elektrisch apparaat.



Risico op barsten



Dit apparaat voldoet aan alle geldende normen van Lid-Staat van de Europese Unie waar het werd gekocht.



EurAsian-symbool van overeenstemming



Oekraïens conformiteitssymbool



Elektrisch afval mag niet samen met ander huishoudafval worden weggegooid. Gelieve te recycleren indien de mogelijkheid bestaat. Neem contact op met uw lokaal bestuur of handelaar om advies te krijgen over recyclage.

**SYMBOLEN IN DEZE GEBRUIKSAANWIJZING**



Onderdelen of accessoires afzonderlijk verkocht



Opmerking



Waarschuwing

De volgende kernwoorden en verklaringen zijn bedoeld om de gevareniveaus die op dit toestel betrekking hebben, te verklaren.

**⚠ GEVAAR**

Wijst op een gevaarlijke situatie die, als ze niet wordt voorkomen, dodelijk kan zijn of ernstige verwondingen kan veroorzaken.

**⚠ WAARSCHUWING**

Wijst op een mogelijks gevaarlijke situatie die, als ze niet wordt voorkomen, dodelijk kan zijn of ernstige verwondingen kan veroorzaken.

**⚠ LET OP**

Wijst op een mogelijks gevaarlijke situatie die, als ze niet wordt voorkomen, kleine of middelmatige verwondingen kan veroorzaken.

**LET OP**

Zonder veiligheidswaarschuwingssymbool  
Wijst op een situatie die kan leiden tot materiële schade.

No design da sua máquina de lavar sem fios, demos prioridade à segurança, ao desempenho e à fiabilidade.

### USO PREVISTO

A máquina de lavar sem fios destina-se apenas a uma utilização no exterior.

O produto foi concebido para uso doméstico. Destina-se à limpeza de mobiliário de exterior, janelas, automóveis e embarcações através da remoção de sujidade persistente, utilizando água limpa com ou sem detergente de limpeza.

O produto deve ser utilizado em condições bem iluminadas.

Não a use para nenhuma outra finalidade.

### ⚠ ADVERTÊNCIA

O produto destina-se a ser utilizado com um produto de limpeza neutro, fornecido ou recomendado pelo fabricante. A utilização de outros produtos de limpeza ou produtos químicos pode ter um impacto negativo na segurança do produto.

### AVISOS GERAIS DE SEGURANÇA

### ⚠ ADVERTÊNCIA

**Leia todos os avisos de segurança e todas as instruções.** O facto de não seguir os avisos e as instruções pode conduzir a choque eléctrico, fogo e/ou lesão grave.

### ⚠ ADVERTÊNCIA

O produto não pode nunca ser utilizado com ligação à rede de abastecimento de água potável sem que esteja instalado um dispositivo anti-retorno que satisfaça a norma EN 12729 Tipo BA. A água que corre através de um dispositivo anti-retorno é considerada não potável. O produto não pode ser ligado a uma fonte de fornecimento de água.

- O produto não se destina a ser utilizado por crianças nem por pessoas que tenham capacidades reduzidas a nível físico, sensorial ou mental, ou que sejam inexperientes ou desconhecedoras. As crianças devem ser mantidas sob vigilância adequada para se garantir que não brincam com o produto.

- Use equipamento de protecção individual ao utilizar o produto, tal como óculos de segurança e protecção auditiva.
- Para reduzir o risco de ferimentos, mantenha as crianças e transeuntes afastados. Todos os transeuntes devem usar óculos de segurança e manter uma distância segura da área de trabalho.
- Inspeccione os dispositivos de segurança para verificar se se encontram em boas condições de funcionamento. Antes de cada utilização, certifique-se de que todos os dispositivos de segurança estão a funcionar correctamente:
  - Manípulo da pega
    - O manípulo da pega conta com uma superfície aderente que proporciona um maior controlo da haste de pulverização e ajuda a reduzir a fadiga.
  - Botão de bloqueio
    - O botão de bloqueio trava o gatilho e impede a abertura accidental do jato de alta pressão.
- Não use o produto se peças importantes estiverem danificadas, tais como dispositivos de segurança ou a haste de pulverização.

### ⚠ ADVERTÊNCIA

Durante a utilização de máquinas de lavar, poderão formar-se aerossóis. A inalação de aerossóis pode ser prejudicial para a saúde.

### ⚠ ADVERTÊNCIA

Não rode o bocal enquanto prime o gatilho. Se existir fluxo de água ao rodar o bocal, o canal de descompressão liberta água. Não se trata de uma fuga, mas permite a saída da água sem danificar a ferramenta.

- O jacto de alta pressão é perigoso se for mal utilizado. Não aponte o jacto a pessoas, a equipamento eléctrico ligado à corrente, nem ao próprio produto.
- Para evitar o risco de explosão, não pulverize líquidos inflamáveis.
- Não aponte o jacto a si próprio nem a outras pessoas, por exemplo para limpar a roupa ou o calçado.



- As mangueiras, os terminais e os acoplamentos são importantes para a segurança do produto. Use apenas mangueiras, terminais e acoplamentos recomendados pelo fabricante.
- Algumas regiões têm normas que limitam o uso do produto. Consulte a sua autoridade local para obter informação.
- Inspeccione antes de cada utilização, procurando danos. As mangueiras danificadas devem ser substituídas de imediato. Certifique-se de que todas as ligações, tais como a haste de pulverização e o bocal, estão apertadas com firmeza e em segurança. Desenrole a mangueira correctamente, para que não possa ficar torcida nem vincada.
- Antes de começar qualquer operação de limpeza, feche portas e janelas. Limpe e desimpeça a área a ser limpa, removendo resíduos, brinquedos, mobiliário de jardim ou outros objectos que possam constituir um perigo.
- Não use o produto em temperaturas abaixo de 0 °C.
- Não use ácidos, alcalinos, solventes, materiais inflamáveis, branqueadores, nem soluções de graduação industrial no produto. Estes produtos podem causar ferimentos ao operador e danos irreversíveis ao produto.
- Nunca deixe o produto sem supervisão enquanto estiver ligado à bateria. Desligue o produto e afaste-se apenas quando tiver parado completamente. Mantenha o produto fora do alcance das crianças enquanto estiver ligado a uma fonte de energia.
- Familiarize-se com os controlos. Saiba como parar o produto e purgar a pressão rapidamente.
- Seja sempre vigilante e exerça o controlo da sua ferramenta. Veja bem o que está a fazer e use o seu bom senso.
- Não utilize o produto se sentir fadiga, doente ou se estiver sob a influência de estupefacientes, álcool ou medicamentos. Um momento de desatenção enquanto opera o produto pode resultar em ferimentos graves.
- Não use o aparelho caso o interruptor não ligue ou desligue o aparelho. Qualquer produto que não possa ser controlado com o interruptor é perigoso e deve ser reparado.
- Quando lavar veículos, mantenha uma distância mínima de 30 cm. O jacto de alta pressão pode danificar ou rebentar os pneus do veículo e/ou as válvulas dos pneus.
- Não deve utilizar o produto após uma queda ou se existirem sinais visíveis de danos ou fugas.

#### ADVERTÊNCIA

O jacto de alta pressão pode ser perigoso se for utilizado incorrectamente. O jacto não pode nunca ser apontado a pessoas, animais, aparelhos eléctricos, nem ao próprio produto!

- Agarre a pega com firmeza e em segurança, com ambas as mãos. Quando premir o gatilho, conte com o movimento da pega do gatilho, devido às forças de reacção. Se não o fizer, isso poderá causar uma perda de controlo e causar ferimentos a si próprio e a outras pessoas.
- Tenha cuidado, para evitar escorregar ou cair.
- Mantenha-se bem apoiado e equilibrado. Não se aproxime em demasia. Tentar esticar-se demais pode provocar a perda de equilíbrio.

#### AVISOS DE SEGURANÇA DO CONJUNTO DE BATERIAS

- Recarregue o conjunto de baterias apenas com o carregador especificado pelo fabricante. Um carregador que seja adequado para um tipo de bateria pode causar risco de incêndio, quando utilizado com outra bateria.
- Quando a bateria não estiver a ser utilizada, mantenha-a afastada de outros objectos metálicos como cliques de papel, moedas, chaves, pregos, parafusos, ou outros pequenos objectos metálicos que podem fazer a ligação de um terminal para outro. Ligar os terminais da bateria em conjunto pode causar queimaduras ou um incêndio.
- Mantenha o conjunto de baterias e o carregador afastados de locais húmidos ou expostos a condições de humidade.



- Utilize o produto apenas com os conjuntos de baterias especificados neste Manual. O uso de qualquer outro tipo de bateria pode causar risco de lesões e incêndio.
- Sob circunstâncias abusivas, o líquido pode ser ejetado da bateria, evite o contacto. Se o contacto ocorrer acidentalmente, limpe com água abundante. Se o líquido entrar em contacto com os olhos, procure adicionalmente assistência médica. O líquido ejetado da bateria pode causar irritação ou queimaduras.
- A bateria tem proteção de sobreaquecimento. Uma temperatura excessiva fará com que a bateria deixe de alimentar a ferramenta. Sinta a temperatura do conjunto de baterias, com a mão: se estiver demasiado quente ao toque, deixe-o arrefecer antes de retomar a utilização. Se a ferramenta continuar sem funcionar, recarregue a bateria.

**NOTA:** O indicador LED da bateria não funcionará se a função de protecção da bateria provocar que a bateria deixe de alimentar a ferramenta e que esta pare. Para o indicador de LED do conjunto de baterias retomar o funcionamento normal, liberte o botão de Ligado-Desligado (On-Off) ou desmonte o conjunto de baterias do produto.

#### ▲ ADVERTÊNCIA

Não sujeite o produto a salpicos de água. Pode danificar a unidade da bateria.

#### ▲ ADVERTÊNCIA

Para evitar o risco de incêndio, de feridas ou de danificação do produto causado por um curto-circuito, não imerja a bateria intercambiável ou o carregador em líquidos e assegure-se de que líquidos não penetrem nos aparelhos ou nas baterias. Líquidos corrosivos ou condutivos como água salgada, determinadas substâncias químicas o produtos que contenham branqueadores podem causar um curto-circuito.

#### RISCOS RESIDUAIS

Mesmo quando se utiliza o produto segundo as instruções, continua a ser impossível eliminar por completo certos fatores de risco residuais. Podem surgir os seguintes riscos

durante o uso e o operador deve prestar especial atenção para evitar o seguinte:

- Lesões por vibração
  - Segure o produto pelos cabos destinados para o efeito e limite o tempo de funcionamento e de exposição.
- Ferimentos causados pela projecção de detritos.
  - Use sempre protecção para os olhos.
- Lesões devido ao ruído
  - Use protecção para os ouvidos e limite o tempo de exposição

#### REDUÇÃO DO RISCO

Foi reportado que as vibrações das ferramentas de mão podem contribuir para uma doença designada de Síndrome de Raynaud em determinados indivíduos. Os sintomas podem incluir formigueiro, entorpecimento e empalidecimento dos dedos, habitualmente visível aquando da exposição ao frio. Estima-se que os factores hereditários, exposição ao frio e humidade, dieta, tabagismo e práticas de trabalho contribuem todos para o desenvolvimento destes sintomas. Existem medidas que podem ser tomadas pelo operador para possivelmente reduzir os efeitos da vibração:

- Mantenha o seu corpo quente durante o tempo frio. Ao operar o produto, use luvas para manter as mãos e os pulsos quentes. Encontra-se reportado que o tempo frio é um grande factor que contribui para o Síndrome de Raynaud.
- Após cada período de operação, exercite para aumentar a circulação sanguínea.
- Faça pausas frequentes no trabalho. Limite o tempo de exposição por dia.

Caso sinta algum dos sintomas desta doença, interrompa de imediato a sua utilização e consulte o seu médico sobre estes sintomas.

#### ▲ ADVERTÊNCIA

O uso prolongado de uma ferramenta pode causar o agravar lesões. Ao usar qualquer ferramenta durante períodos prolongados, assegure-se que faz intervalos regulares.

## TRANSPORTE E ARMAZENAMENTO

- Desligue o produto, desmonte o conjunto de baterias e deixe o produto arrefecer. Antes de armazenar ou transportar o produto, desfaça a ligação do produto ao abastecimento de água.
- Antes de armazenar o produto, esvazie a água de todas as mangueiras e da bomba, e esvazie também o depósito de detergente.
- Enrole cuidadosamente a mangueira do sifão e guarde com a máquina de lavar.
- Limpe todos os materiais estranhos do produto. Armazene num local fresco, protegido da geada, seco e bem ventilado, fora do alcance de crianças. Não guarde o produto perto de fornalhas ou outras fontes de calor que possam secar os vedantes da bomba. Mantenha o produto afastado de agentes corrosivos tais como produtos químicos de jardim e sais de remoção de gelo. Não guarde o produto em espaços exteriores.
- Para transportar, prenda o aparelho de modo a evitar que este se mova ou caia, para evitar lesões ou danos no produto.

**⚠ ADVERTÊNCIA**

Armazene o produto apenas em recintos fechados. O armazenamento numa área com temperaturas abaixo de 0 °C (ou seja, abaixo do ponto de congelamento da água) irá danificar o produto.

## TRANSPORTE DE BATERIAS DE LÍTIO

Transporte as baterias em conformidade com as disposições e regulamentos locais e nacionais.

Siga todos os requisitos especiais na embalagem e rótulos ao transportar baterias por um terceiro. Certifique-se de que nenhuma bateria pode entrar em contato com outras baterias ou materiais condutores durante o transporte protegendo os conectores expostos com tampas ou fita isoladora e não condutora. Não transporte baterias que estejam rachadas ou com fugas. Confirme com a empresa de envio para mais conselhos.

## MANUTENÇÃO

**⚠ ADVERTÊNCIA**

Utilize apenas peças de substituição, acessórios e encaixes do fabricante original. A inobservância desta indicação pode causar um fraco desempenho, possíveis lesões e poderá anular a sua garantia.

**⚠ ADVERTÊNCIA**

Os serviços de manutenção requerem extremo cuidado e conhecimentos e devem apenas ser realizado por um técnico de assistência qualificado. Repare o seu produto exclusivamente num centro de assistência autorizado. Durante as operações de manutenção, utilize peças de substituição originais do fabricante.

- Desligue o produto, desmonte o conjunto de baterias e deixe o produto arrefecer. Desfaça a ligação do produto ao abastecimento de água antes de fazer o seguinte:
  - limpar o produto
  - prestar manutenção ao produto
  - substituir sobresselentes
- Só pode proceder aos ajustes ou reparações descritas neste manual. Para outros reparos ou conselhos, procurar a ajuda de um centro de serviço autorizado.
- Para garantir a utilização em segurança, inspecione e faça manutenção com regularidade à máquina de lavar. Certifique-se de que o compartimento da bateria está corretamente montado, bem fechado e verifique a existência de danos com frequência. Qualquer peça danificada deve ser substituída ou reparada adequadamente por um centro de serviço autorizado.

## CONHEÇA O SER APARELHO

Ver a página 131.

1. Bocal 3-em-1
2. Botão de libertação
3. Barra pulverizadora
4. Botão de bloqueio
5. Lingueta

6. Compartimento da bateria
7. Manípulo da pega
8. Interruptor de gatilho
9. Entrada de água
10. Flutuador
11. Filtro
12. Mangueira de sifão
13. Conetor rápido

## SÍMBOLOS NO PRODUTO



Aviso



Para reduzir os riscos de ferimentos, é indispensável que leia e compreenda bem este manual de utilização antes de utilizar esta ferramenta.



Protecção para os olhos e ouvidos.



Para reduzir o risco de ferimentos causados por injeção de alta pressão, não aponte a vaporização a pessoas nem a animais.



Salto repentino. Para reduzir o risco de ferimentos causados por ressalto, sempre que o produto esteja ligado, segure o punho do gatilho com firmeza com as duas mãos.



O produto não é adequado para ligação à rede de abastecimento de água potável sem um dispositivo anti-retorno.



Nunca aponte a varinha de vaporização a pessoas, a animais, ao corpo da máquina, à fonte de alimentação eléctrica, nem a aparelhos eléctricos!



Perigo de rebentamento



Esta ferramenta obedece a todas as normas regulamentares do país da UE onde foi comprada.



Marca de conformidade EurAsian



Marca de conformidade ucraniana



Os aparelhos eléctricos antigos não devem ser eliminados juntamente com o lixo doméstico. Recicle onde existem instalações para o efeito. Verifique com as suas Autoridades Locais ou revendedor para obter informações sobre reciclagem.

## SÍMBOLOS NESTE MANUAL



As peças ou acessórios vendem-se separadamente



Nota



Aviso

As seguintes palavras de sinal e significados destinam-se a explicar os níveis de risco associados a este produto.

### ⚠ PERIGO

Indica uma situação perigosa iminente, que, se não evitada, poderá resultar em morte ou ferimentos graves.

### ⚠ ADVERTÊNCIA

Indica uma situação potencialmente perigosa, que, se não evitada, poderá conduzir à morte ou graves lesões.

### ⚠ ADVERTÊNCIA

Indica uma situação potencialmente perigosa, que, se não evitada, poderá resultar em pequenas ou moderadas lesões.

### ADVERTÊNCIA

Sem símbolo de alerta de segurança  
Indica uma situação que pode resultar em danos de propriedade.

Sikkerhed, ydeevne og pålidelighed er blevet givet topprioritet i designet af din trådløse højtryksrenser.

### TILTÆNKT ANVENDELSESFORMÅL

Den trådløse højtryksrenser er kun beregnet til udendørs brug.

Produktet er beregnet til privat eller hjemlig brug. Den er beregnet til rengøring af havemøbler, vinduer, biler, både ved fjernelse af fastsiddende snavs ved hjælp af rent vand med eller uden rengøringsmiddel.

Produktet bør bruges under velbelyste forhold. Må ikke bruges til andre formål.

#### ⚠ ADVARSEL

Produktet er beregnet til at blive brugt sammen med et neutralt rengøringsmiddel leveret eller anbefalet af producenten. Brugen af andre rengøringsmidler eller kemikalier kan påvirke produktets sikkerhed.

### GENERELLE SIKKERHEDSADVARSLER

#### ⚠ ADVARSEL

**Alle sikkerhedsadvarsler og alle anvisninger skal læses.** Manglende overholdelse af advarslerne og anvisningerne kan medføre elektrisk stød, brand og/eller alvorlige personskader.

#### ⚠ PAS PÅ

Produktet må ikke tilsluttes en drikkevandsforsyning uden at der er monteret en tilbageløbsventil i henhold til EN 12729, type BA. Vand, der strømmer gennem en tilbageløbsventil, kan ikke drikkes. Produktet må ikke tilsluttes vandforsyningen.

- Produktet er ikke beregnet til brug af børn eller personer med begrænsede fysiske, sensoriske eller psykiske evner eller manglende erfaring og viden. Børn bør holdes under tilstrækkeligt opsyn, så man er sikker på, at de ikke leger med produktet.
- Brug komplet personligt beskyttelsesudstyr ved betjening af produktet såsom beskyttelsesbriller og høreværn.

- Hold børn og omkringstående på sikker afstand for at reducere risikoen for personskader. Alle omkringstående skal bære beskyttelsesbriller og holdes i sikker afstand fra arbejdsområdet.
- Undersøg sikkerhedsanordningerne for at sikre, at de er i god driftstilstand. Sørg for, at alle sikkerhedsanordninger fungerer korrekt før hver brug:
  - Gribehåndtag
    - Håndtagsgrebet har en skridsikker overflade, der giver ekstra kontrol over sprøjtetaven og hjælper med at reducere træthed.
  - Låseknop
    - Låseknappen låser aftrækkeren og forhindrer utilsigtet åbning af højtryksstrålen.
- Brug ikke produktet, hvis vigtige dele er beskadiget såsom sikkerhedsanordningerne eller sprøjtetaven.

#### ⚠ ADVARSEL

Under brug af højtryksrenseren kan der dannes aerosoler. Indånding af sprøjtetåger kan være farlige for helbredet.

#### ⚠ ADVARSEL

Drej ikke på dysen, mens du trækker i udløseren. Hvis vandet løber, mens dysen drejes, løber vandet ud gennem aflastningskanalen. Dette er ikke en lækage, men tillader vandet at løbe ud uden at beskadige værktøjet.

- Højtryksstråler er farlige ved misbrug. Vandstrålen må ikke rettes mod personer, strømførende elektrisk udstyr eller selve produktet.
- Sprøjt ikke med brandbare væsker for at undgå risikoen for eksplosion.
- Ret ikke vandstrålen mod dig selv eller andre for at rense/rengøre tøj eller fodtøj.
- Slanger, fittings og koblinger er vigtige for produktets sikkerhed. De benyttede slanger, fittings og koblinger skal være anbefalet af producenten.
- Nogle områder har regler, som begrænser brugen af produktet. Forhør dig hos de lokale myndigheder.



- Kontrollér for skader før hver brug. Beskadigede slanger skal udskiftes straks. Sørg for, at alle tilslutninger såsom sprøjtelanse og strålemundstykke er fastgjorte. Rul slangen ordentlig ud, så den ikke bliver snoet eller bøjet.
- Luk døre og vinduer, før du starter højtryksrensningen. Ryd området, der skal renses, for affald, legetøj, udendørsmøbler, eller andre genstande, som kan udgøre en fare.
- Du må ikke bruge produktet i temperaturer under 0 °C.
- Brug ikke syrer, basiske produkter, opløsningsmidler, brandfarligt materiale, blegemidler eller industriopløsninger med dette produkt. Disse produkter kan skade brugeren og påføre produktet permanent skade.

#### ⚠ ADVARSEL

Højtryksstråler kan være farlige ved misbrug. Vandstrålen må ikke rettes mod personer, dyr, strømførende elektrisk udstyr eller selve produktet.

- Hold godt fast i håndtaget med begge hænder. Vær forberedt på, at håndtaget bevæger sig på grund af reaktionskræfter, når der trykkes på aftrækkeren. Er du ikke det, kan du miste kontrollen og skade dig selv og andre.
- Vær forsigtig for ikke at glide eller falde.
- Hold et godt fodfæste og balance. Overstræk ikke. Overstrækning kan føre til tab af balancen.
- Lad aldrig produktet være uden opsyn, mens det er tilsluttet batteriet. Sluk for produktet, og forlad det kun, efter at det er fuldstændigt stoppet. Opbevar produktet utilgængeligt for børn, når det er tændt.
- Bliv fortrolig med betjeningshåndtag. Du skal vide, hvordan man hurtigt stopper produktet og frigiver trykket.
- Vær opmærksom og i kontrol. Hold øje med, hvad du gør, og brug sund fornuft.
- Anvend ikke produktet, hvis du er træt, syg eller du har taget stoffer, drukket alkohol eller taget medicin. Et øjeblik uopmærksomhed under anvendelse af produktet kan medføre alvorlige personskader.

- Undlad at bruge produktet, hvis TÆND/SLUK-kontakten ikke virker. Et produkt, som ikke kan betjenes med TÆND-/SLUK-kontakten, er farligt og skal repareres.
- Hold en afstand på min. 30 cm. ved rengøring af køretøjer. Højtryksstrålen kan beskadige eller sprænge bildæk og/eller dækventiler.
- Produktet må ikke bruges, hvis det er blevet tabt, hvis der er synlige tegn på skade, eller hvis det lækker.

#### SIKKERHEDSADVARSLER FOR BATTERI

- Brug kun producentens angivne oplader til at genoplade batteriet. En oplader, der er beregnet til én type batteri, kan udgøre en brandrisiko, hvis den bruges til en anden batteritype.
  - Når batteriet ikke bruges, må det ikke opbevares sammen med metalgenstande som fx papirclips, mønter, nøgler, søm, skruer eller andre metalgenstande, som kan skabe forbindelse mellem batteriets poler. Hvis batteriets poler kortsluttes, kan det forårsage forbrændinger eller ildbrand.
  - Hold batteriet og opladeren væk fra våde og fugtige forhold.
  - Brug kun produktet med de batterier, der er anført i denne vejledning. Brug af andre batterityper kan medføre fare for personskade og brand.
  - Hvis batteriet misbruges, kan der sprøjte væske ud af det; undgå kontakt med batterivæsken. Ved kontakt med batterivæsken skylles der med vand. Hvis der kommer væske i øjnene, kontaktes læge straks. Udsprøjtet batterivæske kan forårsage irritation eller forbrændinger.
  - Batteripakken har overophedningsbeskyttelse. For høje temperaturer vil bevirke, at batteriet afbryder strømforsyningen til værktøjet. Rør ved batteriet; hvis det er for varmt, skal du lade det køle af, før arbejdet påbegyndes igen. Hvis værktøjet stadig ikke vil starte, skal batteriet genoplades.
- BEMÆRK:** Batteriets indikator-LED virker ikke, hvis batteribeskyttelsesfunktionen har fået batteriet til at afbryde strømforsyningen til værktøjet. Slip on-off-knappen eller aftag batteriet fra produktet, og batteriets LED-indikator vil fortsætte normal funktion.







### ⚠ ADVARSEL

Sprøjt ikke vand på produktet. Det kan beskadige batteriet.

### ⚠ ADVARSEL

For at undgå risiko for brand, kvæstelser eller beskadigelse af produktet forårsaget af kortslutning må værktøjet, batteripakken eller opladeren ikke nedsænkes i vand. Sørg ligeledes for, at der ikke trænger væske ind i enhederne og batterierne. Korroderende eller ledende væsker, f.eks. saltvand, bestemte kemikalier, blegestoffer eller produkter, som indeholder blegemidler, kan forårsage kortslutning.

## UUNDGÅELIGE RISICI

Selv om produktet anvendes som foreskrevet, er det stadig umuligt at eliminere visse uundgåelige risikofaktorer fuldstændigt. Følgende risici kan opstå under brug, og operatøren bør være særligt opmærksom for at undgå følgende:

- Personskader forårsaget af vibration
  - Hold produktet i de hertil indrettede håndtag, og begræns arbejdstiden og eksponeringen.
- Kvæstelse forårsaget af flyvende haveaffald.
  - Der skal altid benyttes øjenværn.
- Personskader forårsaget af støj
  - Benyt høreværn, og begræns eksponering

## RISIKOREDUKTION

Der er rapporteret om, at vibrationer fra håndholdte værktøjer kan være medvirkende til en lidelse kaldet Raynauds syndrom hos visse personer. Symptomerne herpå kan være prikken, følelsesløshed og blegning af fingrene, der normalt viser sig ved kuldepåvirkning. Faktorer som arvelighed, udsættelse for kulde og fugt, kost, rygning og arbejdsvaner menes alle at medvirke til udviklingen af disse symptomer. Der findes forholdsregler, som operatøren kan træffe for at begrænse påvirkningen fra vibrationer:

- Hold kroppen varm i koldt vejr. Brug handsker, så hænder og vriste holdes varme under arbejdet. Der er rapporteret

om, at koldt vejr er en væsentlig faktor til Raynauds syndrom.

- Motionér efter hver arbejdsperiode for at øge blodcirkulationen.
- Hold hyppige arbejdspauser. Begræns eksponeringen for vibrationer pr. dag.

Hvis du mærker nogen af symptomerne på denne tilstand, skal du straks ophøre med arbejdet og søge læge.

### ⚠ ADVARSEL

Længere tids brug af et værktøj kan forårsage - eller forværre - personskader. Når man bruger et værktøj i længere perioder ad gangen, skal man huske at holde hyppige pauser.

## TRANSPORT OG OPBEVARING

- Stop produktet, fjern batteriet, og lad produktet køle af. Frakobl produktet fra vandforsyningen før opbevaring eller transport.
- Fjern vand fra alle slanger og pumpen, og tøm rengøringsmiddeltanken før produktet opbevares.
- Oprul sifonens slange pænt og opbevar den sammen med højtryksrenseren.
- Afrens alle fremmedlegemer fra produktet. Opbevar det på et køligt, frostfrit, tørt sted med god ventilation, som er utilgængeligt for børn. Opbevar ikke produktet i nærheden af ovnen eller andre varmekilder, der kan udtørre pumpens tætninger. Sørg for, at produktet ikke kommer i nærheden af korrosive stoffer såsom havekemikalier og strøsalt. Opbevar ikke produktet udendørs
- Til transport skal man sikre produktet, så den ikke kan bevæge sig eller vælte; dette for at forebygge personskader eller skader på produktet.

### ⚠ ADVARSEL

Produktet må kun opbevares indendørs. Hvis produktet sættes til opbevaring et sted med temperatur under 0° C, vil det blive beskadiget.

- EN
- FR
- DE
- ES
- IT
- NL
- PT
- DA**
- SV
- FI
- NO
- RU
- PL
- CS
- HU
- RO
- LV
- LT
- ET
- HR
- SL
- SK
- BG
- UK
- TR



## TRANSPORT AF LITHIUM-BATTERIER

Batterier skal transporteres i henhold til lokale og nationale forskrifter og love.

Når batterier skal transporteres af tredjepart, skal alle specielle krav til emballering og mærkning overholdes. Man skal sikre sig, at ingen batterier under transporten kan komme i kontakt med andre batterier eller ledende materialer ved at beskytte blottede konnektorer med isolerende, ikke-ledende hætter eller tape. Undlad at transportere batterier med revner eller utætheder. Rådfør dig desuden med speditøren.

## VEDLIGEHOVELSE

### ⚠ ADVARSEL

Brug kun originale reservedele, ekstraudstyr og tilbehør fra producenten. I modsat fald er der fare for personskader, dårlig maskinydelse og annullering af garantien.

### ⚠ ADVARSEL

Vedligeholdelse kræver stor omhyggelighed og viden og bør kun udføres af en kvalificeret tekniker. Lad kun et autoriseret serviceværksted servicere produktet. Brug kun originale reservedele fra maskinproducenten i forbindelse med servicearbejde.

- Stop produktet, fjern batteriet, og lad produktet køle af. Frakobl produktet fra vandforsyningen før:
  - rengøring af produktet
  - Vedligeholdelse af produktet
  - Udskiftning af reservedele
- Man kan selv foretage de justeringer eller reparationer, der er beskrevet i denne brugsanvisning. For andre reparationer eller råd skal man søge assistance på et autoriseret servicecenter.
- Efterse og vedligehold regelmæssigt produktet for at opnå en sikker drift. Sørg for, at batterirummet er korrekt samlet, tæt lukket, og kontroller ofte, om der er skader. Enhver del, som bliver beskadiget, skal repareres korrekt eller udskiftes hos et autoriseret servicecenter.

## KEND PRODUKTET

Se side 131.

1. 3-i-1-dyse
2. Udløserknop
3. Sprøjtelanse
4. Låseknap
5. Låsemekanisme
6. Batterirum
7. Gribehåndtag
8. Aftrækkerkontakt
9. Vandindløb
10. Flyder
11. Filter
12. Sifonslange
13. Lyntilkobling

## SYMBOLER PÅ PRODUKTET



Advarsel



For at mindske risikoen for uheld, så skal brugeren læse og forstå denne brugsanvisning, inden produktet tages i brug.



Bær øjen- og høreværn.



Strøjt ikke direkte på mennesker eller dyr for at reducere risikoen for skader fra højtrykssprøjtningen.



Tilbageslag. Hold godt fast i håndtaget med begge hænder for at reducere risikoen for tilbageslag, når produktet er tændt.



Produktet er ikke egnet til at blive tilsluttet drikkevandsforsyningen, hvis der ikke er installeret en enhed til at forhindre tilbagestrømning.



Ret aldrig sprøjtelanse mod andre personer, dyr, selve højtryksrensere, strømforsyningen eller andre apparater.



Sprængningsfare



Dette redskab overholder alle lovkrav og standarder i det EU-land, hvor det er købt.



EurAsian overensstemmelsesmærke



Ukrainsk overensstemmelsesmærke



Elektriske affaldsprodukter bør ikke afskaffes sammen med husholdningsaffald. Genbrug venligst hvor faciliteterne tillader dette. Tjek med din lokale kommune eller forhandler for genbrugsråd.

## SYMBOLER I DENNE BRUGSANVISNING



Dele eller tilbehør, der sælges separat



Bemærk



Advarsel

De følgende ikoner og betydninger er beregnet til at forklare risikoen involveret i at anvende denne enhed.

### **FARE**

Indikerer en meget farlig situation, som hvis ikke undgås, kan føre til alvorlige skader og i værste fald døden.

### **ADVARSEL**

Indikerer en potentielt farlig situation, som hvis ikke undgås, kan føre til alvorlige skader og i værste fald døden.

### **PAS PÅ**

Indikerer en potentielt farlig situation, som hvis ikke undgås, kan føre til mindre eller moderate skader.

### **PAS PÅ**

Uden sikkerhedsadvarselssymbol

Indikerer en situation, som kan medføre materiel skade.

Säkerhet, prestanda och pålitlighet har fått högsta prioritet vid utformningen av din sladdlösa högtryckstvätt.

### ANVÄNDNINGSSOMRÅDE

Den sladdlösa högtryckstvätten är endast avsedd för utomhusbruk.

Produkten är avsedd för hemma- eller privat bruk. Den är avsedd att användas för rengöring av utemöbler, fönster, bilar, båtar genom att hårdnackad smuts avlägsnas med rent vatten, med eller utan rengöringsmedel.

Produkten bör användas under förhållanden med god belysning.

Får ej användas för annat ändamål.

#### ⚠ VARNING

Produkten är avsedd för användning med ett neutralt rengöringsmedel som levereras eller rekommenderas av tillverkaren. Användning av andra rengöringsmedel eller kemikalier kan påverka produktens säkerhet negativt.

### ALLMÄNNA SÄKERHETSFÖRESKRIFTER

#### ⚠ VARNING

**Läs alla säkerhetsvarningar och alla instruktioner.** Om du inte följer varningarna och anvisningarna kan du orsaka elektrisk stöt, brand och allvarlig skada.

#### ⚠ PÅMINNELSE

Produkten får inte kopplas till dricksvattenförsörjningen utan att en backventil som förhindrar returflöde, motsvarande EN 12729 Typ BA, har installerats. Vatten som passerar genom en backventil anses som odrickbart. Produkten får inte anslutas till en vattenförsörjning.

- Produkten är inte avsedd att användas av barn eller av personer med minskad fysisk, sensorisk eller mental förmåga, eller som saknar erfarenhet och kunskap. Barn ska alltid övervakas så att de inte leker med produkten.
- Använd personlig skyddsutrustning vid drift av produkten, såsom skyddsglasögon och hörselskydd.

- För att minska olycksrisken, håll barn och besökare på avstånd. Alla besökare ska använda skyddsglasögon och befinna sig på säkert avstånd från arbetsområdet.
- Kontrollera säkerhetsanordningarna för att se om de är i funktionsdugligt skick. Säkerställ att alla säkerhetsanordningar fungerar korrekt före varje användning:
  - Grepphandtag
    - Grepphandtaget har en greppyta som ger extra kontroll över sprejarmen och minskar materialutmattnig.
  - Låsknapp
    - Låsknappen låser avtryckaren och förhindrar oavsiktlig öppning av högtrycksstrålen.
- Använd inte produkten om de viktiga delarna är skadade, såsom säkerhetsanordningar eller sprejarm.

#### ⚠ VARNING

Vid användning av högtryckstvättar kan aerosoler bildas. Inandning av aerosoler kan vara skadligt för hälsan.

#### ⚠ VARNING

Vrid inte munstycket medan du håller in avtryckaren. Om det rinner vatten medan munstycket vrids, kommer frigöringskanalen att frigöra vattnet. Detta är inget läckage, det gör det möjligt för vattnet att frigöras utan att verktyget skadas.

- En högtrycksstråle är farlig om den missbrukas. Rikta inte strålen mot människor, inkopplad elektrisk utrustning eller mot själva produkten.
- För att undvika explosionsrisk, spreja inte antändliga vätskor.
- Rikta inte strålen mot dig själv eller andra för att rengöra kläder eller skor.
- Slangar, fästen och kopplingar är viktiga för produktens säkerhet. Använd endast slangar, fästen och kopplingar som rekommenderas av tillverkaren.
- I vissa regioner finns regleringar som begränsar användning av produkten. Ta kontakt med lokala myndigheter för information.



EN
FR
DE
ES
IT
NL
PT
DA
<b>SV</b>
FI
NO
RU
PL
CS
HU
RO
LV
LT
ET
HR
SL
SK
BG
UK
TR

- Före varje användning, kontrollera produkten avseende skador. Skadade slangar måste ersättas omedelbart. Säkerställ att alla anslutningar, såsom sprejarm och munstycke, är säkra. Rulla ut slangen ordentligt, så att den inte vrids eller knickas.
- Stäng dörrar och fönster innan du påbörjar någon rengöringsprocess. Avlägsna skräp, leksaker, utemöbler och andra föremål som kan utgöra en risk från det område som ska rengöras.
- Använd inte produkten vid temperaturer under 0 °C.
- Använd inte syror, alkaliska medel, lösningsmedel, antändliga ämnen, blekmedel eller lösningar avsedda för industrin i produkten. Dessa produkter kan skada operatören fysiskt och skada produkten oåterkalleligt.

**⚠ VARNING**

En högtrycksstråle kan vara farlig om den missbrukas. Strålen får inte riktas mot människor, djur, elektriska enheter eller mot själva produkten.

- Håll handtaget stadigt med båda händerna. Var beredd på att handtaget rör sig när reaktionskrafterna verkar på reglaget. Att inte vara beredd kan orsaka att du förlorar kontrollen och skadar dig själv eller andra.
- Var försiktig så att du inte halkar eller faller.
- Bibehåll ett bra fotfäste och bra balans. Sträck dig inte. Att sträcka sig kan resultera i balansförlust.
- Lämna aldrig produkten oövervakad medan den är ansluten till batteripaketet. Stäng av produkten och lämna inte förrän den har stannat helt. Håll produkten utom räckhåll från barn när den är igång.
- Se till att du förstår kontrollerna. Lär dig hur du stoppar produkten och snabbt släpper ut trycket.
- Var uppmärksam och ha alltid kontroll. Se upp med vad du gör och använd sunt förnuft.
- Använd inte produkten när du är trött, sjuk eller är påverkad av droger, alkohol eller medicin. Ett ögonblick av bristande uppmärksamhet vid användning av produkten kan innebära risk för allvarlig personskada.

- Använd inte produkten om reglaget för av och på inte fungerar. En produkt som inte kan styras med strömbrytaren är farlig och ska repareras.
- Håll ett minsta avstånd på 30 cm vid rengöring av fordon. Högtrycksstrålen kan skada eller spränga fordonsdäck och/eller däckventiler.
- Produkten får inte användas om den har tappats, om det finns synliga tecken på skador eller om den läcker.

### SÄKERHETSVARNINGAR FÖR BATTERIET

- Använd endast den laddare som specificeras av tillverkaren för uppladdning av batteripaketet. En batteriladdare som passar en typ av batteripack kan vara en brandfara om den används med en annan typ av batteripack.
- När batteripaketet inte används ska det hållas bort från metallföremål som gem, mynt, nycklar, spikar, skruvar och andra små metallföremål som kan kortsluta batteriets kontakter. Vid kortslutning av batteriets kontakter finns det risk för brännskador eller brand.
- Håll batteriet och laddaren borta från våta och fuktiga förhållanden.
- Använd produkten endast med de batterier som specificeras i denna manual. Om du använder andra batteripaket ökar du risken för skador och brand.
- Vätska kan läcka ut från batteripaketet vid felaktig användning; undvik kontakt med vätskan. Spola med vatten om du kommer i kontakt med den. Om vätska kommer i kontakt med ögonen ska medicinsk hjälp omedelbart uppsökas. Den kan orsaka irritation och brännskador.
- Batteriet har överbelastningsskydd. Extrema temperaturer får batteriet att stänga av sig automatiskt. Känn på batteriet, om det är för varmt låt det svalna före du återupptar drift. Ladda batteriet om verktyget fortfarande inte fungerar efter det.  
**OBS:** Indikatordioden på batteripacket fungerar inte om batteriets skyddsfunktioner har stängt av batteriet automatiskt. Släpp PÅ/AV-knappen eller ta bort batteriet från produkten, därefter kommer LED-indikatorlampan för batteriet återuppta normal funktion.



### **⚠ VARNING**

Stänk inte vatten på produkten. Det kan skada batteripaketet.

### **⚠ VARNING**

För att undvika den fara för brand, personskador eller produktskador som orsakas av en kortslutning, doppa inte ner verktyget, batteripaketet eller laddaren i vätskor och se till att ingen vätska kan tränga in i apparaterna eller batterierna. Korroderande eller ledande vätskor, som saltvatten, vissa kemikalier, blekningsmedel eller produkter som innehåller blekmedel, kan orsaka en kortslutning.

### **KVARSTÅENDE RISKER**

Även om produkten används enligt instruktionerna går det inte att eliminera alla eventuella kvarstående riskfaktorer. Följande risker kan uppstå vid användning och operatören ska vara extra uppmärksam för att undvika följande:

- Skada orsakad av vibration
  - Håll produkten i de avsedda handtagen och begränsa arbetstid och exponering.
- Olycka orsakad av flygande skräp.
  - Använd alltid lämpligt ögonskydd.
- Skador orsakade av damm
  - Använd hörselskydd och begränsa exponering

### **RISKMINSKNING**

Det finns rapporter om att vibrationer från handhållna verktyg kan bidra till ett tillstånd som kallas Raynauds syndrom för vissa personer. Symptomen brukar vara att det sticker i fingrarna och att de domnar bort; fingrarna kan också bli vita, särskilt vid kyla. Ärtliga faktorer, kyla och fukt, diet, rökning och arbetsrutiner tros alla bidra till att orsaka dessa symptom. Det finns förebyggande åtgärder som du kan vidta för att försöka minska vibrationernas påverkan:

- Håll dig varm när du arbetar i kallt väder. Använd handskar för att hålla händer och handleder varma under användning. Kyla har rapporterats som en viktig del i utvecklandet av Raynauds syndrom.

- Träna och rör på dig efter varje användningstillfälle för att öka blodcirkulationen.
- Ta ofta pauser från arbetet. Begränsa tiden du utsätter dig varje dag.

Upphör omedelbart om du upplever några av dessa symptom och uppsök din läkare.

### **⚠ VARNING**

Risk för person- eller slitageskador vid användning av verktyget under lång tid. Om verktyget används under längre perioder krävs regelbundna pauser.

### **TRANSPORT OCH FÖRVARING**

- Stoppa produkten, avlägsna batteriet och låt produkten svalna. Koppla loss produkten från vattenförsörjningen före förvaring eller transport.
- Töm ut vattnet från alla slangar och från pumpen, och töm behållaren för rengöringsmedel innan du förvarar produkten.
- Rulla ihop sifonslangen och förvara den med högtrycksvätten.
- Ta bort allt främmande material från produkten. Förvara den på en sval, frostskyddad, torr och väl ventilerad plats som är oåtkomlig för barn. Förvara inte produkten nära en ugn eller andra värmekällor som kan torka ut pumptätningarna. Håll produkten borta från frätande ämnen, såsom trädgårdskemikalier och vägsalt. Förvara inte produkten utomhus.
- Vid transport ska produkten säkras mot rörelser eller fallande för att förhindra personskador eller att produkten skadas.

### **⚠ VARNING**

Förvara endast produkten inomhus. Förvaring på platser med en temperatur under 0 ° skadar produkten.

### **TRANSPORTERA LITIUMBATTERIER**

Transportera batterier enligt lokala och nationella riktlinjer och föreskrifter.

Följ alla särskilda krav på förpackning och etikettering vid transport av batterier som utförs av tredje part. Se till att inga batterier

kan komma i kontakt med andra batterier eller ledande material under transporten genom att skydda exponerade kontaktytor med isolerande, icke ledande överdrag eller tejp. Transportera aldrig batterier som har spruckit eller som läcker. Kontrollera med det transporterande företaget för vidare rådgivning.

## UNDERHÅLL

### ⚠ VARNING

Använd enbart reservdelar och tillbehör från tillverkaren. Om inte kan det eventuellt orsaka skador, sämre resultat och kan upphäva garantin.

### ⚠ VARNING

Att serva produkten kräver extrem försiktighet och kunskap och bör endast utföras av en kvalificerad servicetekniker. Produkten får endast repareras på ett auktoriserat servicecenter. Under servicearbete ska enbart tillverkarens originaldelar användas.

- Stoppa produkten, avlägsna batteriet och låt produkten svalna. Koppla loss produkten från vattenförsörjningen före:
  - rengöring av produkten
  - underhåll av produkten
  - montering av reservdelar
- Du får enbart göra justeringar eller reparationer som nämns i denna manual. För andra reparationer eller för råd ska du alltid vända till auktoriserat servicecenter.
- Inspektera regelbundet och underhåll produkten för säker drift. Säkerställ att batterifacket är korrekt monterat, ordentligt stängt och kontrollera regelbundet efter skador. Skadade delar skall repareras ordentligt eller bytas ut av en auktoriserad servicefirma.

## LÄR KÄNNA PRODUKTEN

Se sida 131.

1. 3-i-1 munstycke
2. Lösgöringsknapp
3. Spraystav
4. Låsknapp
5. Regel
6. Batterifack

7. Grepphandtag
8. Brytarknapp
9. Vattentillöpp
10. Ytrengörare
11. Filter
12. Sifonslang
13. Snabbkoppling

## SYMBOLER PÅ PRODUKTEN



Varning



För att minska risken för skador måste användaren läsa, och förstå användningsmanualen innan han eller hon använder produkten.



Bär ögon- och hörselskydd.



För att minska risken för skador på grund av träff från en högtrycksstråle, rikta inte strålen mot andra människor eller djur.



Rekyl. För att minska risken för skador vid återstuds, håll handtagsreglaget stadigt med båda händerna när produkten är påslagen.



Produkten är inte lämplig för anslutning till dricksvattenförsörjningen utan backventil.



Rikta aldrig spolarmen mot andra människor, djur, maskinstommen, strömförsörjningen eller andra elektriska enheter.



Sprängningsrisk



Uppfyller alla standarder i de EU-länder där produkten kan köpas.



EurAsian överensstämmelsesymbol



Ukrainskt märke för överensstämmelse



Gamla elektroniska produkter ska inte kastas med hushållssoporna. Återvinn där sådana faciliteter finns. Kontrollera med din lokala myndighet eller säljaren för att få återvinningstips.

## SYMBOLER I MANUALEN



Delar och utrustning säljs separat



OBS



Varning

Följande signalord och betydelser är tänkta att förklara de olika risknivåerna som är associerade med denna produkt.

### **FARA**

Indikerar en överhängande farlig situation som kan, om den inte undviks, resultera i dödsfall eller allvarlig skada.

### **VARNING**

Indikerar en potentiellt farlig situation som kan, om den inte undviks, resultera i dödsfall eller allvarlig skada.

### **PÅMINNELSE**

Indikerar en potentiellt farlig situation som kan, om den inte undviks, resultera i mindre eller medelstora skador.

### **PÅMINNELSE**

Utan säkerhetssymbol

Visar på en situation som kan orsaka skada på egendom.



Turvallisuus, tehokkuus ja käyttövarmuus ovat akkukäyttöisen painepesurimme tärkeimpiä ominaisuuksia.

## KÄYTTÖTARKOITUS

Akkukäyttöinen painepesuri on tarkoitettu vain ulkokäyttöön.

Tuote on tarkoitettu kotikäyttöön. Sillä on tarkoitus poistaa pinttynyt lika pihakalusteista, ikkunoista, autoista ja veneistä puhtaan, puhdistusainetta sisältävän tai ilman puhdistusainetta olevan veden avulla.

Tilan, jossa pesuria käytetään, on oltava hyvin valaistu.

Älä käytä muihin tarkoituksiin.

### VAROITUS

Tämä tuote on suunniteltu käyttämään mukana toimitettua tai valmistajan suosittelemaa neutraalia puhdistusainetta. Muiden puhdistusaineiden tai kemikaalien käyttö saattaa vaikuttaa haitallisesti tuotteen turvallisuuteen.

## YLEISET TURVALLISUUSVAROITUKSET

### VAROITUS

**Lue kaikki turvallisuusvaroitukset ja ohjeet.** Varoitusten ja ohjeiden laiminlyönnistä voi seurata sähköisku, tulipalo ja/tai vakava loukkaantuminen.

### HUOMAUTUS

Tuotetta ei saa liittää juomaveden tuloliitäntään ilman, että siihen on asennettu takaisinvirtauksen estin, joka täyttää standardin EN 12729, tyypin BA vaatimukset. Takaisinvirtauksen estimen läpi virtaava vesi ei ole juomakelpoista. Pesuria ei saa liittää vedenjakeluun.

- Tätä tuotetta eivät saa käyttää lapset tai sellaiset henkilöt, joiden fyysiset, aistimukselliset tai henkiset kyvyt ovat alentuneet tai joilta puuttuu tuotteen käyttöön tarvittava kokemus ja tuntemus. Lapsia on pidettävä asianmukaisesti silmällä, jotta he eivät pääse leikkimään tuotteella.
- Suojaudu pesuria käyttäessäsi henkilönsuojaimilla, kuten suojalaseilla ja kuulosuojaimilla.

- Henkilövahinkoriskin pienentämiseksi pidä lapset ja sivulliset loitolla paikasta, jossa käytät pesuria. Kaikkien sivullisten on käytettävä suojalaseja ja pysyteltävä turvallisen etäisyyden päässä työskentelyalueelta.
- Tarkista turvalaitteet ja varmista niiden moitteeton kunto. Varmista ennen käyttöä, että kaikki turvalaitteet toimivat kunnolla:
  - Tartuntakahva
    - Tartuntakahvassa on ruiskuvarren hallintaa parantava tarttumapinta, se auttaa myös vähentämään väsymystä.
  - Lukituspainike
    - Lukituspainike lukitsee liipaisimen ja estää suurpainesuihkon tahattoman avautumisen.
- Älä käytä tuotetta, jos tärkeimmät osat, kuten turvalaitteet tai ruiskuvarsi, ovat vahingoittuneet.

### VAROITUS

Painepesureiden käytön aikana voi muodostua aerosoleja. Aerosolien hengittäminen voi olla terveydelle haitallista.

### VAROITUS

Älä käännä suutinta vetäessäsi liipaisinta. Jos vesi virtaa suuttimen kääntämisen aikana, ohivirtauskanava vapauttaa veden. Tämä ei ole vuotoa, mutta vesi voi poistua työkalua vahingoittamatta.

- Korkeapainesuihku on väärin käytettynä vaarallinen. Älä kohdistaa suihkua ihmisiä tai jännitteen alaisia sähkölaitteita kohti tai itse tuotteeseen.
- Jotta voit välttää räjähdyksen, älä ruiskuta syttyviä nesteitä.
- Älä suuntaa pesuria itseäsi tai muita ihmisiä kohti, kun puhdistat vaatteita tai jalkineita.
- Letkut, kiinnittimet ja liittimet ovat pesurin turvallisuuden kannalta tärkeitä. Käytä vain valmistajan suosittelemissa letkuissa, kiinnittimissä ja liittimissä.
- Joillain alueilla vallitsee säädöksiä, jotka rajoittavat tämän tuotteen käyttöä. Pyydä paikallisilta viranomaisilta neuvoa.
- Tarkasta aina ennen käyttöä, onko tuotteessa vaurioita. Vahingoittuneet letkut on

korvattava uusilla viipymättä. Varmista, että kaikki liitännät, kuten ruiskuvarsi ja suutin, ovat kunnolla kiinni. Vedä letku ulos kelasta kunnolla niin, että se ei väänny tai taitu.

- Sulje ovet ja ikkunat ennen puhdistustyön aloittamista. Poista roskat, lelut, ulkoheonekalut tai muut mahdollisesti vaaroja synnyttävät esineet puhdistettavalta alueelta.
- Älä käytä tuotetta alle 0 °C:n lämpötiloissa.
- Älä käytä happoja, emäksisiä aineita, liuottimia, syttyviä materiaaleja, valkaisuaineita tai teollisuuskäytön vahvoja liuoksia tuotteessa. Nämä tuotteet voivat aiheuttaa fyysisiä vammoja käyttäjälle tai pysyviä vaurioita tuotteeseen.

#### **⚠ VAROITUS**

Korkeapainesuihku voi olla vaarallinen, jos sitä käytetään väärin. Suihkua ei saa kohdistaa ihmisiin, eläimiin, sähkölaitteisiin tai itse tuotteeseen.

- Pidä kahvasta kiinni tukevalla otteella molemmin käsin. Valmistu siihen, että kahva liikkuu reaktivoimien vuoksi, kun liipaisinta vedetään. Tämän ohjeen laiminlyönti voi johtaa hallinnan menetykseen ja itsesi tai muiden loukkaantumiseen.
- Noudata varovaisuutta liukastumisien tai kaatumisen välttämiseksi.
- Pidä vakaa tasapaino. Älä kurkota liian pitkälle. Liian pitkälle kurkotta minen saattaa johtaa tasapainon menettämiseen.
- Älä koskaan jätä akkuun kytkettyä pesuria ilman valvontaa. Sammuta pesuri, mutta älä jätä sitä ennen kuin se on kokonaan pysähtynyt. Kun pesurissa on virta, pidä se poissa lasten ulottuvilta.
- Tutustu hyvin kaikkiin säätimiin. Tunne, kuinka tuote sammutetaan ja kuinka paine vapautetaan nopeasti.
- Pysy aina valppaana ja hallitse työkalusi. Keskity työhösi ja käytä tervettä järkeä.
- Älä käytä sahaa, jos olet väsynyt, sairas tai huumeiden, alkoholin tai lääkkeiden vaikutuksen alainen. Tarkkaamattomuus tuotetta käytettäessä saattaa johtaa vakavaan loukkaantumiseen.
- Älä käytä tuotetta, jos se ei käynnisty ja sammuu katkaisimesta. Jos tuotetta ei voida

hallita katkaisimella, se on vaarallinen ja vaatii korjaamista.

- Säilytä vähintään 30 cm:n etäisyys, kun puhdistat ajoneuvoja. Korkeapainesuihku voi vahingoittaa ajoneuvon renkaita tai niiden venttiilejä.
- Pesuria ei pidä käyttää, jos se on pudonnut, siinä on näkyviä merkkejä vahingoittumisesta tai jos se vuotaa.

#### **AKUN TURVALLISUUSVAROITUKSET**

- Lataa akku vain valmistajan määrittelemällä laturilla. Yhden tyyppiselle akulle sopivan laturin käyttö toisenlaisen akun kanssa voi olla vaarallista.
  - Kun akkua ei käytetä, pidä se erillään metalliesineistä, kuten paperiliittimistä, kolikoista, avaimista, nauloista, ruuveista ja muista pienistä metalliesineistä, jotka voivat yhdistää akun navat. Akun napojen oikosulkeminen voi aiheuttaa palovammoja ja tulipalon.
  - Pidä akku ja laturi pois märistä ja kosteista olosuhteista.
  - Käytä tuotetta vain tässä oppaassa mainittujen akkujen kanssa. Muiden akkujen käyttö voi johtaa loukkaantumiseen ja tulipaloon.
  - Jos akkua käsitellään väärin, siitä voi vuotaa nestettä; älä kosketa sitä. Jos kosketat sitä vahingossa, huuhtelee se vedellä. Jos nestettä pääsee silmiin, hakeudu välittömästi lääkärin hoitoon. Akusta vuotanut neste voi ärsyttää ihoa ja aiheuttaa palovammoja.
  - Akussa on ylikuumenemissuojaus. Liian kuuma lämpötila saa akun lakkaamaan antamasta virtaa. Tunnustele akkua; jos se on liian lämmin, anna sen jäähtyä ennen kuin käytät taas laitetta. Jos laite ei silloinkaan toimi, lataa akku.
- HUOMAUTUS:** Akun merkkivalo ei toimi, jos akun suojaominaisuus on saanut akun lakkaamaan antamasta laitteelle virtaa. Vapauta käynnistypainike tai poista akku laitteesta, jolloin akun LED-valon toiminta palaa normaalkiksi.

#### **⚠ VAROITUS**

Älä roiskuta vettä pesuriin. Muutoin akkupakkaus saattaa vahingoittua.

### **VAROITUS**

Jotta vältetään lyhytsulun aiheuttama tulipalon, loukkaantumisen tai tuotteen vahingoittumisen vaara, älä koskaan upota työkalua, vaihtoakkaa tai latauslaitetta nesteeseen ja huolehdi siitä, ettei mitään nesteitä pääse tunkeutumaan laitteiden tai akkujen sisään. Syövyttävät tai sähköä johtavat nesteet, kuten suolavesi, tietyt kemikaalit ja lalkaisuaineet tai valkaisuaineita sisältävät tuotteet voivat aiheuttaa lyhytsulun.

### **KÄYTTÖÖN LIITTYVÄT RISKIT**

Vaikka tuotetta käytettäisiin ohjeiden mukaisesti, ei ole mahdollista täysin eliminoida tiettyjä käyttöön liittyviä riskitekijöitä. Käytössä voi aiheutua seuraavia vaaroja, ja käyttäjän tulee kiinnittää erityistä huomiota niiden välttämiseen:

- Tärinän aiheuttama vamma
  - Pitele tuotetta aina kahvoista ja rajoita työaikaa sekä altistumista.
- Lentävien roskien aiheuttamat vammat.
  - Käytä aina suojalaseja.
- Melun aiheuttama vamma
  - Käytä suojalaseja ja rajoita altistumista.

### **RISKIEN VÄHENTÄMINEN**

Raporttien mukaan käsikäyttöisten laitteiden tärinä voi joidenkin kohdalla myötävaikuttaa Raynaud's Syndromen (Raynauodin oireen) ilmenemiseen. Oireita ovat pistely, turtuus ja sormien kalpeneminen, yleensä kylmässä ilmassa. Perinnölliset tekijät, kylmyys ja kosteus, ruokavalio, tupakointi sekä työtavat voivat kaikki myötävaikuttaa näiden oireiden ilmenemiseen. Käyttäjä voi ehkäistä tärinän aiheuttamia vaikutuksia seuraavasti:

- Pidä itsesi lämpimänä kylmällä säällä. Käytä tuotteen käytön aikana käsineitä, jotta kätesi ja ranteesi pysyvät lämpöisinä. Raporttien mukaan kylmä ilma on tärkeä tekijä Raynaud's Syndromen (Raunaudin oireiden) ilmenemisessä.
- Harjoita kunkin käyttöjakson jälkeen liikuntaa, jotta verenkierto lisääntyy.
- Pidä työn aikana säännöllisesti taukoja. Rajoita päivittäisen tärinän määrää.

Jos mitään yllä mainittuja oireita ilmenee, lopeta heti laitteen käyttö ja kerro oireista lääkärille.

### **VAROITUS**

Laitteen pitkittynyt käyttö voi aiheuttaa tai vaikeuttaa vammoja. Kun käytät mitä tahansa laitetta pitkiä aikoja, muista pitää säännöllisiä taukoja.

### **KULJETUS JA VARASTOITAESSA**

- Sammuta tuote, poista akku ja anna tuotteen jäähtyä. Irrota tuote vesijohtoverkosta ennen kuljetusta tai siirtämistä säilytyspaikkaan.
- Poista vesi kaikista letkuista ja pumpusta ja tyhjennä pesuainesäiliö ennen tuotteen säilytyspaikkaan siirtämistä.
- Kääri sifoniletku huolellisesti ja säilytä sitä painepesurin kanssa.
- Puhdista laitteesta kaikki vieraat materiaalit. Säilytä tuotetta kuivassa, viileässä ja hyvin tuuletetussa paikassa, jossa lämpötila on yli 0 °C:ta ja johon lapsilla ei ole pääsyä. Älä säilytä pesuria uunin vieressä tai lähellä muita lämmönlähteitä, vaarana on pumpun tiivisteiden kuivuminen. Pidä tuote erillään syövyttävistä aineista, kuten puutarhakemikaaleista ja jäänestosuolasta. Älä säilytä laitetta ulkona.
- Kiinnitä tuote kuljetettaessa siten, että se ei pääse liikkumaan tai kaatumaan, jotta välttyä loukkaantumisilta ja vaurioilta.

### **VAROITUS**

Säilytä tuotetta ainoastaan sisätiloissa. Jos laitetta säilytetään alle 0 °C lämpötilassa, se vaurioituu.

### **LITIUMAKKIJEN KULJETTAMINEN**

Kuljeta akkuja paikallisten ja kansallisten ehtojen ja säädösten mukaisesti.

Noudata kaikkia pakkaamista ja nimeämistä koskevia erikoissäädöksiä, kun kolmas osapuoli kuljettaa akkuja. Varmista, että mikään akku ei kosketa muita akkuja tai johtavaa materiaalia kuljetuksen aikana suojaamalla paljaat navat eristävillä, johtamattomilla korkeilla tai teipillä. Älä kuljeta akkuja, jotka ovat halkeilleet tai vuotavat. Kysy välityritykseltä lisäneuvoja.

## HUOLTO

### ⚠ VAROITUS

Käytä ainoastaan alkuperäisiä valmistajan tuottamia varaosia, lisälaitteita ja lisävarusteita. Tämän noudattamatta jättäminen voi johtaa loukkaantumiseen ja huonoon tulokseen ja voi mitätöidä takuun.

### ⚠ VAROITUS

Huolto kaipaa suurta huolellisuutta ja hyvää työkalun tuntemusta: Se on annettava pätevän teknikon tehtäväksi. Teetä huollot ainoastaan valtuutetussa huoltoliikkeessä. Käytä huollossa ainoastaan alkuperäisiä valmistajan tuottamia varaosia.

- Sammuta tuote, poista akku ja anna tuotteen jäähtyä. Irrota tuote vesijohtoverkosta ennen
  - tuotteen puhdistaminen
  - tuotteen huoltamista
  - varaosien vaihtamista.
- Sinulla on lupa suorittaa ainoastaan tässä käsikirjassa kuvattuja säätöjä ja korjauksia. Pyydä apua valtuutetusta huollosta muiden korjaus- tai neuvontatarpeiden tapauksessa.
- Varmista suurpainepesurin turvallinen toiminta tarkastamalla ja huoltamalla se säännöllisesti. Varmista, että akkukotelo on oikein asennettu ja tiiviisti suljettu, ja tarkista se säännöllisesti vaurioiden varalta. Valtuutetun huoltopisteen on korjattava tai vaihdettava vioittuneet osat asianmukaisesti.

## TUNNE TUOTTEESI

Katso sivu 131.

1. 3-in-1-suutin
2. Vapautuspainike
3. Suihkuputki
4. Lukituspainike
5. Salpa
6. Akkukotelo
7. Tartuntakahva
8. Liipaisinkytkin
9. Veden sisääntulo
10. Kelluke
11. Suodatin
12. Sifoniletku
13. Pikaliitin

## TUOTTEESSA OLEVAT SYMBOLIT



Varoitus

Onnettomuusvaarojen vähentämiseksi tämän käsikirjan sisältö on ehdottomasti luettava ja ymmärrettävä ennen työkalun käyttöä.



Käytä suojalaseja ja kuulosuojaimia.



Jotta voit vähentää korkeapainesuihkon aiheuttaman vahingon riskiä, älä osoita suihkua suoraan ihmisiä tai eläimiä kohti.



Takapotku. Pienennä takaisiniskun aiheuttamaa henkilövahingon riskiä pitämällä liipaisinkahvasta kiinni lujasti kaksin käsin, kun laite on käynnissä.



Pesuri ei sovellu yhdistettäväksi juomavedenjakeluun ilman takaisinvirtauksen estolaitetta.



Älä koskaan osoita suihkutussauvaa ihmisiä, eläimiä, koneen runkoa, virtalähdettä tai mitään sähkölaitetta kohti.



Korkeapainesuihkuvaara



Tämä työkalu on sen EU-maan kaikkien sääntömääräisten standardien mukainen, josta se on ostettu.



EurAsian-vaatimustenmukaisuusmerkki



Ukrainalainen säädöstenmukaisuusmerkintä



Käytöstä poistettavia sähkölaitteita ei pidä hävittää talousjätteiden mukana. Ne on mahdollisuuksien mukaan pantava kiertoon. Kierrätysohjeita antavat kunnan viranomaiset ja vähittäiskauppiat.

## TÄMÄN KÄSIKIRJAN SYMBOLIT



Osat ja lisävarusteet on hankittava erikseen



Huom



Varoitus

Seuraavat signaalisanat ja merkitykset on tarkoitettu selittämään tähän tuotteeseen liittyviä riskin tasoja.

### **VAARA**

Ilmaisee välitöntä vaaratilannetta, joka ellei sitä vältetä, johtaa kuolemaan tai vakavaan loukkaantumiseen.

### **VAROITUS**

Ilmaisee potentiaalisen vaaratilanteen, joka ellei sitä vältetä, johtaa kuolemaan tai vakavaan loukkaantumiseen.

### **HUOMAUTUS**

Ilmaisee potentiaalisen vaaratilanteen, joka ellei sitä vältetä, saattaa johtaa pienempään tai keskivaikeaan loukkaantumiseen.

## **HUOMAUTUS**

Ilman turvallisuusvaroitussymbolia ilmoittaa tilanteesta, jossa omaisuutta saattaa vaurioitua.

Sikkerhet, ytelse og pålitelighet har fått topp prioritet ved konstruksjonen av denne kabelfrie høytrykksspyleren.

### TILTENKT BRUK

Den kabelfrie høytrykksspyleren er kun beregnet til utendørs bruk.

Dette produktet er konstruert for hjemmebruk. Den er beregnet for å rengjøre utemøbler, vinduer, biler, båter ved å fjerne vanskelig smuss med rent vann med eller uten rengjøringsmiddel.

Produktet skal brukes under godt opplyste forhold.

Den skal ikke brukes til noe annet formål

### ⚠ ADVARSEL

Det er meningen at maskinen brukes med et nøytralt vaskemiddel fra produsenten eller et vaskemiddel som produsenten har anbefalt. Bruk av andre rengjøringsmidler eller kjemikalier kan gå ut over maskinens sikkerhet.

### GENERELLE SIKKERHETSADVARSLER

### ⚠ ADVARSEL

**Les alle sikkerhetsadvarslene og alle instruksjonene.** Å unnlate å følge advarslene og instruksjonene kan føre til elektrisk støt, brann og alvorlig personskade.

### ⚠ FORSIKTIGHETSREGEL

Hvis maskinen kobles til en drikkevannskilde, må den først utstyres med en tilbakeslagsventil tilsvarende EN 12729 type BA. Vann som strømmer gjennom en tilbakeslagsventil, egner seg ikke som drikkevann. Produktet skal ikke kobles til vannforsyningen.

- Maskinen skal ikke brukes av barn eller personer med redusert fysisk, sensorisk eller mental kapasitet, eller personer som mangler erfaring og kunnskaper. Barn må ha riktig tilsyn for å sikre at de ikke leker med produktet.
- Bruk personlig verneutstyr når du bruker produktet, slik som vernebriller og hørselvern.

- Hold barn og tilskuere unna for å redusere risikoen for skader. Alle tilskuere skal bruke vernebriller og holdes på trygg avstand fra arbeidsområdet.
- Inspiser sikkerhetsinnretninger for å kontrollere at de er i god stand. Pass på at alle sikkerhetsinnretninger fungerer som de skal før hver gangs bruk:
  - Håndtak
    - Håndtaket har en gripeoverflate som gir ekstra kontroll over strålestaven og bidrar til å redusere tretthet.
  - Låseknapp
    - Låseknappen låser bryterutløseren og hindrer utilsiktet åpning av høytrykksstrålen.
- Ikke bruk produktet hvis viktige deler er skadet, slik som sikkerhetsenheter eller strålestav.

### ⚠ ADVARSEL

I løpet av bruken av høytrykksspylere kan det dannes aerosoler. De kan være helseskadelig å puste inn aerosoler.

### ⚠ ADVARSEL

Ikke slå av dysen ved å trekke i utløseren. Hvis vannet strømmer mens dysen er vendt bort, vil avlastningskanalen frigi vannet. Dette er ikke en lekkasje, men gjør at vannet kan komme unna uten å skade verktøyet.

- Høytrykksstrålen er farlig hvis den brukes feil. Ikke rett strålen mot folk, strømførende utstyr eller selve maskinen.
- Ikke spray brennbare væsker, da dette kan føre til eksplosjon.
- Ikke rett strålen mot deg selv eller andre i den hensikt å rengjøre klær eller fottey.
- Slinger, beslag og koblinger er viktige for maskinens sikkerhet. Bruk bare slanger, beslag og koblinger som er anbefalt av produsenten.
- Noen regioner har bestemmelser som begrenser bruk av dette produktet. Spør de lokale myndigheter for råd.
- Se etter eventuelle skader før hver gangs bruk. Skadede slanger må skiftes ut umiddelbart. Pass på at alle tilkoblinger, som spylestav og dyse, er sikre. Rull slangen ordentlig ut slik at den ikke blir vridd eller får en bend.



- Lukk dører og vinduer før rengjøringen. Rydd området som skal rengjøres, for rusk, leker, utemøbler og andre gjenstander som kan skape farlige situasjoner.
- Ikke bruk maskinen når det er minusgrader.
- Ikke bruk syrer, baser, løsemidler, brennbart materiale, blekemidler eller industrielle oppløsninger i maskinen. Slike produkter kan føre til fysiske skader på operatøren og irreversibel skade på maskinen.

**⚠ ADVARSEL**

Høytrykksstrålen kan være farlig hvis den brukes feil. Strålen må ikke rettes mot personer, dyr, elektrisk utstyr eller selve maskinen.

- Hold fast i håndtaket med begge hender. På grunn av tilbakeslagskreftene må du være forberedt på at håndtaket kan slå tilbake når du trykker inn utløseren. Ellers risikerer du at du mister kontrollen og skader deg selv og andre.
- Vær forsiktig så du ikke sklir eller faller.
- Ha god fotfeste og ballanse til enhver tid. Ikke len deg for langt. Hvis du lener deg for langt, kan du miste balansen.
- La aldri produktet stå uten tilsyn mens det er koblet til batteripakken. Slå av produktet og forlat det først etter at det har stoppet fullstendig. Oppbevar produktet utilgjengelig for barn når det forsynes med strøm.
- Gjør deg kjent med kontrollene. Sett deg inn i hvordan du stopper maskinen og utløser trykket raskt.
- Vær våken og behold kontrollen. Se hva du gjør og bruk fornuft.
- Ikke bruk sagen når du er trøtt, syk eller påvirket av stoffer, alkohol eller medisiner. Et øyeblikk med uoppmerksomhet under bruk av produktet kan føre til alvorlige personskader.
- Ikke bruk verktøyet hvis bryteren ikke slår verktøyet av og på. Et produkt som ikke kan kontrolleres med bryteren er farlig og må repareres.
- Hold en avstand på minst 30 cm når du rengjør biler. Høytrykksstrålen kan skade dekk og dekkventiler eller få dem til å revne.

- Produktet skal ikke brukes hvis det har falt ned, hvis det er synlige tegn på skade eller hvis det lekker.

**SIKKERHETSADVARSLER FOR BATTERI**

- Batteriet skal bare lades med laderen som er spesifisert av produsenten. En lader som passer til en type batteripakke kan skape risiko for brann dersom den brukes til en annen type batteripakke.
- Når batteripakken ikke er i bruk, hold den vekke fra metallgjenstander som binders, mynter, nøkler, spiker, skruer og annet som kan forbinde de to terminalene med hverandre. Kortslutning av batteriterminalene kan føre til brenning eller brann.
- Hold batteriet og laderen unna våte og fuktige forhold.
- Bruk bare maskinen med batteritypen som er angitt i denne håndboken. Bruk av andre batteripakker kan føre til risiko for skade og brann.
- Dersom batteriet misbrukes kan det slippe ut væske, unngå hudkontakt med væsken. Hvis du får kontakt med væsken fra batteriet, skyll med rikelige mengder vann. Dersom væsken får kontakt med øynene må medisinsk assistanse oppsøkes. Væske som kommer ut av batteriet kan føre til irritasjon eller brannskår.

- Batteripakken har overopphetingsbeskyttelse. Høye temperaturer kan føre til at batteriet slutter å drive vektøyet. Kjenn på batteriet. Hvis det kjennes for varmt, må det få tid på å kjøle seg ned før du starter gressklipperen igjen. Hvis verktøyet fortsatt ikke virker må batteriet lades.

**MERK:** LED-indikatoren på batteripakken vil ikke virke dersom batteriets beskyttelsesfunksjon har ført til at batteripakken har sluttet å drive verktøyet. Slipp opp på/av-knappen eller ta batteriet ut av gressklipperen, så vil batterilampen gjenoppta normal funksjon.

**⚠ ADVARSEL**

Ikke sprut vann på produktet. Det kan skade batteripakken.



### ⚠ ADVARSEL

For å unngå fare for en brann forårsaket av en kortslutning, personskader eller skader på produktet, må det forhindres at batteripakken eller laderen dyppes i væsker. Det må også sørges for at ingen væsker kan trenge inn i apparatene eller batteriene. Korroderende og ledende væsker som saltvann, visse kjemikalier og blekemidler eller produkt som inneholder blekemidler kan forårsake en kortslutning.

### GJENVÆRENDE RISIKO

Selv om utstyret brukes som beskrevet er det ikke mulig å unngå enhver gjenværende risiko. Følgende faresituasjoner kan oppstå ved bruk, og operatøren må legge spesielt vekt på å unngå følgende:

- Personskade på grunn av vibrasjon
  - Hold produktet i angitte håndtak og begrens arbeidstid og eksponering.
- Skade forårsaket av luftbårne gjenstander.
  - Bruk til enhver tid øyebeskyttelse.
- Skader skapt av støy.
  - Bruk hørselvern og begrens eksponeringen.

### FAREREDUKSJON

Det foreligger rapporter om at vibrasjoner fra håndholdt verktøy for enkelte personer kan bidra til en tilstand som kalles Raynauds Syndrome. Symptomene kan omfatte følelsesløshet og gjøre fingrene bleke, vanligvis synlig ved eksponering til lave temperaturer. Arvelige faktorer, eksponering mot lave temperaturer og fuktighet, diett, røyking og arbeidspraksis blir alle ansett for å kunne bidra til å utvikle disse symptomene. Brukeren kan iverksette tiltak for mulig å redusere virkningene av vibrasjonene:

- Hold kroppen din varm i kaldt vær. Bruk hansker og hold hender og håndledd varme ved bruk av produktet. Det er rapportert at kaldt vær er en viktig faktor som bidrar til Raynauds Syndrome.
- Etter hver arbeidsperiode bør det utføres øvelser for å øke blodsirkulasjonen.
- Ta ofte pauser fra arbeidet som utføres. Begrens mengden av eksponering pr. dag.

Hvis du opplever noen av symptomene på denne tilstanden må du øyeblikkelig avbryte arbeidet og oppsøke en lege med disse symptomene.

### ⚠ ADVARSEL

Hvis man bruker verktøyet for lenge av gangen, kan det føre til eller forverre allerede eksisterende personskade. Når du bruker et verktøy over en lenger tidsperiode, husk å ta regelmessige pauser.

### TRANSPORT OG LAGRING

- Stopp maskinen, ta ut batteriet og la maskinen kjøle seg ned. Koble maskinen fra vanntilførselen før du setter den bort eller transporterer den.
- Tøm alle slanger og pumper for vann, og tøm vaskemiddeltanken før du setter bort maskinen.
- Vikle opp sifongslangen og lagre den med høytrykksspyleren.
- Fjern alle fremmedelemerter fra produktet. Oppbevar den på et kjølig, frostoffritt og tørt sted med god utlufting og utilgjengelig for barn. Ikke oppbevar produktet i nærheten av ovner eller andre varmekilder som kan tørke ut pumpetetningene. Hold avstand til korroderende midler som havekjemikalier og avisings salt. Produktet skal ikke oppbevares utendørs.
- Ved transport må produktet sikres mot å komme i bevegelse eller falle for å unngå skade på personer eller produktet.

### ⚠ ADVARSEL

Maskinen skal bare oppbevares innendørs. Den vil ta skade hvis den oppbevares på et sted med minusgrader.

### TRANSPORTERE LITIUM-BATTERIER

Transporter batterier i henhold til lokale og nasjonale lover og forskrifter.

Følg alle spesialkrav med hensyn til emballering og merking når batterier transporteres av en tredjepart. Påse at ingen batterier kan komme i kontakt med andre batterier eller ledende materialer under transporten ved å beskytte åpne kontakter med isolasjon, ikkeledende lokk eller tape.



Ikke transporter batterier som er sprukne eller som lekker. Kontakt spedtøren for å få ytterligere råd.

## VEDLIKEHOLD

### ⚠ ADVARSEL

Bruk kun produsentens originale reservedeler, tilleggsutstyr og påsatser. Dersom dette ikke følges, kan det forårsake personskader, dårlig funksjon og kan annullere garantien din.

### ⚠ ADVARSEL

Service krever meget stor forsiktighet og kunnskap og bør utføres kun av kvalifisert teknisk personale. Få utført service på produktet kun av et autorisert servicesenter. For service av maskinen, bruk kun produsentens originale reservedeler.

- Stopp maskinen, ta ut batteriet og la maskinen kjøle seg ned. Koble maskinen fra vanntilførselen før:
  - rengjøring av produktet
  - maskinen vedlikeholdes
  - reservedeler byttes ut
- Du kan bare foreta justeringer og reparasjoner som er beskrevet i denne brukermanualen. For andre typer reparasjoner eller råd anbefales det å kontakte et autorisert servicesenter.
- Inspiser og vedlikehold produktet regelmessig for å sørge for sikker drift. Se til at batteridelen er riktig montert, trekk godt til og sjekk ofte etter skader. Enhver del som er skadet må repareres eller skiftes ut på fagmessig måte ved et autorisert serviceverksted.

## KJENN PRODUKTET DITT

Se side 131.

1. 3-in-1 Dyse
2. Slipp knapp
3. Spraystang
4. Låseknapp
5. Lås
6. Batterihus
7. Håndtak
8. Bryterens på-knapp
9. Vanninntak
10. Flottør

11. Filter
12. Hevertslange
13. Hurtigkobling

## SYMBOLER PÅ PRODUKTET



Advarsel



For å redusere faren for personskade må brukeren ha lest og forstått bruksanvisningen før produktet tas i bruk.



Bruk vernebriller og hørselvern.



For å redusere risikoen for skade må høytrykksstrålen aldri rettes direkte mot mennesker eller dyr.



Tilbakeslag. Hold godt fast i utløserhåndtaket med begge hender for å redusere risikoen for skade på grunn av tilbakeslag når produktet er på.



Hvis produktet skal kobles til en drikkevannskilde, må det først utstyres med en tilbakeslagsventil.



Retts aldri sprayrøret mot mennesker, dyr, maskinen selv, strømforsyningen eller elektriske apparater.



Fare for brudd



Dette verktøyet samsvarer med samtlige standarder i EU-landet der det er kjøpt.



EurAsian samsvarsmerke



Ukrainsk kontrolltegn



Avfall fra elektriske produkter skal ikke kastes sammen med husholdningsavfall. Vennligst resirkulervedeksisterende avfallsbehandlingssted. Undersøk hos dine lokale myndigheter eller forhandler for råd om resirkulering.

## SYMBOLER I DENNE MANUALEN



Deler eller tilbehør som er tilgjengelige separat



Merk



Advarsel

Følgende symboler og betydninger forklarer risikonivået som er assosiert med dette produktet.

### **FARE**

Indikerer en øyeblikkelig farlig situasjon, som, hvis ikke unngås, kan resultere i død eller alvorlig personskade.

### **ADVARSEL**

Indikerer en potensiell farlig situasjon, som, hvis ikke unngås, kan resultere i død eller alvorlig personskade.

### **FORSIKTIGHETSREGEL**

Indikerer en potensiell farlig situasjon, som, hvis ikke unngås, kan resultere i mindre eller moderat personskade.

### **FORSIKTIGHETSREGEL**

Uten sikkerhetsvarselsymbol

Indikerer en situasjon som kan føre til skade på eiendom.

В основе конструкции вашей беспроводной мойки высокого давления лежат принципы безопасности, продуктивности и надежности.

### НАЗНАЧЕНИЕ

Беспроводная мойка высокого давления предназначена для использования только вне помещений.

Изделие предназначено для домашнего использования. Применяется для мойки мебели для веранды, окон, автомобилей, лодок путем удаления стойкой грязи посредством чистой воды с моющим средством или без него.

Изделие должно использоваться в условиях достаточной освещенности.

Не используйте устройство для каких-либо иных целей.

### ⚠ ОСТОРОЖНО

Инструмент предназначен для использования с нейтральным моющим средством, поставляемым или рекомендуемым производителем. Использование других моющих средств или химических веществ может оказать отрицательное влияние на безопасность инструмента.

### ОБЩИЕ ПРАВИЛА БЕЗОПАСНОСТИ

#### ⚠ ОСТОРОЖНО

**Прочтите все предупреждения и инструкции по технике безопасности.** Несоблюдение приводимых ниже предупреждений и инструкций может привести к поражению электрическим током, возгоранию или тяжким телесным повреждениям.

#### ⚠ ПРЕДОСТЕРЕЖЕНИЕ

Инструмент нельзя использовать в системе питьевого водоснабжения без обратного клапана, установленного в соответствии со стандартом EN 12729 тип BA. Вода, проходящая через обратный клапан, считается непригодной для питья. Запрещается подключать изделие к источнику водоснабжения.

- Инструмент не предназначен для использования детьми или людьми с ограниченными физическими, сенсорными или умственными способностями или с недостатком опыта или знаний. Не допускайте того, чтобы дети играли с этим устройством.
- При работе с инструментом используйте средства индивидуальной защиты, такие как защитные очки и защита органов слуха.
- Чтобы снизить риск получения травм, не допускайте детей и посторонних к инструменту. Все находящиеся рядом лица обязаны надеть защитные очки и соблюдать безопасную дистанцию от рабочей зоны.
- Проверяйте состояние защитных устройств. Перед каждым использованием инструмента проверяйте работоспособность всех защитных устройств:
  - Рукоять
    - На рукояти имеется захватная поверхность, обеспечивающая дополнительный контроль над распылительной штангой и способствующая снижению нагрузки.
  - Кнопка блокировки
    - Кнопка блокировки замыкает спусковой элемент и предотвращает непроизвольный выброс струи высокого давления.
- Не используйте изделие в случае повреждения важных деталей, таких как защитные устройства и распылительная штанга.

#### ⚠ ОСТОРОЖНО

В процессе работы мойки высокого давления может образовываться аэрозольная взвесь. Вдыхание взвешенных частиц опасно для здоровья.

#### ⚠ ОСТОРОЖНО

Запрещается вращать сопло при нажатии на спусковой рычаг. В случае, если при вращении сопла возникает течь воды, вода будет выведена через сбросной канал. Это не течь, а возможность отвода воды без повреждения инструмента.



- При использовании не по назначению струя высокого давления представляет опасность. Не направляйте струю на людей, включенное электрооборудование или на сам инструмент.
- Во избежание риска взрыва не распыляйте легковоспламеняющиеся жидкости.
- Не направляйте струю на себя или окружающих с целью очистки одежды и обуви.
- Для безопасной работы инструмента пользуйтесь шлангами, крепежными деталями и соединителями. Пользуйтесь только шлангами, крепежными деталями и соединителями, рекомендованными производителем.
- В некоторых регионах существуют правила, ограничивающие использование этого продукта. Проконсультируйтесь с местными органами власти.
- Перед каждым использованием инструмента проверьте его на наличие повреждений. Поврежденные шланги подлежат немедленной замене. Проверьте надежность соединения таких деталей, как распылительная штанга и сопло. Разматывайте шланг аккуратно, чтобы он не перекрутился и не запутался.
- Перед началом процедуры очистки закройте двери и окна. Освободите участок, подлежащий очистке, от мусора, игрушек, садовой мебели и других предметов, которые могут представлять риск.
- Не используйте инструмент при температуре ниже 0°C.
- Не используйте с инструментом кислоты, щелочи, растворители, воспламеняющиеся материалы, отбеливатели и технические растворы. Такие вещества могут стать причиной травмы оператора и нанести непоправимый ущерб инструменту.
- Крепко держите ручку двумя руками. Имейте в виду, что ручка может выдернуться при нажатии на кнопку пуска под воздействием реактивной силы. Если ручка удерживается недостаточно крепко, может произойти потеря управления и оператор или другие люди могут получить травмы.
- Работайте осторожно, чтобы не поскользнуться и не упасть.
- Держать устойчивую опору и баланс. Не перенапрягать. Перенапряжение может кончиться потерей баланса.
- Запрещается оставлять инструмент без присмотра, если он подключен к аккумуляторному блоку. Выключите изделие и оставьте его только после полной остановки. Держите изделие под напряжением вне досягаемости от детей.
- Изучите органы управления инструментом. Узнайте, как можно остановить инструмент и быстро спустить давление.
- Соблюдайте осторожность и осуществляйте контроль. Будьте внимательны во время работы и руководствуйтесь здравым смыслом.
- Воздержитесь от использования изделия, если вы ощущаете усталость или болезненное состояние, а также под воздействием наркотиков, алкоголя или медицинских препаратов. Малейшая невнимательность при работе с устройством может привести к серьезным травмам.
- Не пользуйтесь устройством, если выключатель не включается или не выключается. Любое изделие с неработающим выключателем представляет опасность и должно быть отремонтировано.
- При очистке транспортных средств соблюдайте минимальную дистанцию 30 см. Струя высокого давления может повредить или прорвать шины и/или клапаны шин транспортного средства.
- Изделие не подлежит использованию в случае его падения при наличии видимых признаков повреждения или утечки.

### **▲ ОСТОРОЖНО**

Струя высокого давления при неправильном использовании является источником опасности. Струю нельзя направлять на людей, животных, электрические приборы, а также на сам инструмент.



## ТРЕБОВАНИЯ БЕЗОПАСНОСТИ ПРИ ИСПОЛЬЗОВАНИИ АККУМУЛЯТОРНОГО БЛОКА

- Заряжать аккумуляторный блок можно только зарядным устройством, разрешенным производителем инструмента. Зарядное устройство, подходящее к одному типу аккумуляторных батарей, может создать опасность возгорания при использовании с аккумуляторными батареями другого типа.
- Если аккумуляторная батарея не используется, храните ее отдельно от других металлических предметов, например канцелярских скрепок, монет, ключей, гвоздей, винтов и других мелких металлических предметов, которые могут привести к замыканию контактов батареи. Замыкание контактов батареи может вызвать ожоги или привести к возгоранию.
- Храните аккумуляторный блок и зарядное устройство вдали от условий повышенной влажности.
- Используйте инструмент только с аккумуляторными блоками, указанными в настоящем руководстве пользователя. Использование аккумуляторных батарей другого типа может привести к телесным повреждениям или возгоранию.
- При ненормальных условиях из батареи может вытечь жидкость, избегайте контакта с ней. Если этого избежать не удалось, смойте жидкость водой. Если жидкость попала в глаза, сразу же обратитесь за медицинской помощью. Жидкость, вытекшая из батареи, может вызвать раздражение или ожог.
- Батарея оснащена защитой от перегрева. Чрезмерная температура может привести к отключению батареи инструмента. Потрогайте аккумуляторный блок; если он слишком теплый, перед возобновлением работы дайте ему остыть. Если и в этом случае инструмент не работает, зарядите батарею.

**ПРИМЕЧАНИЕ:** Индикатор аккумуляторной батареи может не работать, если прекращение питания инструмента от батареи вызвано срабатыванием функции защиты

батарей. Отпустите кнопку включения или извлеките аккумуляторный блок из инструмента и светодиодный индикатор аккумуляторного блока возобновит нормальную работу.

### ⚠ ОСТОРОЖНО

Не допускайте попадания водяных брызг на изделие. Это может повредить аккумуляторный блок.

### ⚠ ОСТОРОЖНО

Для предотвращения опасности пожара в результате короткого замыкания, травм и повреждения изделия не опускайте инструмент, сменный аккумулятор или зарядное устройство в жидкости и не допускайте попадания жидкостей внутрь устройств или аккумуляторов. Коррозионные и проводящие жидкости, такие как соленый раствор, определенные химикаты, отбеливающие средства или содержащие их продукты, могут привести к короткому замыканию.

## БУДЬТЕ ВСЕГДА ОСТОРОЖНЫ

Даже когда изделие используют согласно инструкциям, невозможно полностью устранить факторы риска. Следующие опасные факторы могут возникнуть в ходе использования, и оператор должен обращать особое внимание, чтобы избежать следующих опасностей:

- Травмы, вызываемые вибрацией
  - Держите изделие только за предназначенные для этого ручки и соблюдайте рабочий режим.
- Травмы, вызванные разлетающимися частицами.
  - Обязательно носите устройства для защиты глаз.
- Травма, вызванная шумом.
  - Носите устройства защиты слуха и ограничивайте продолжительность шумового воздействия

## СНИЖЕНИЕ РИСКА

Считается, что вибрация ручного инструмента может привести к проявлению у отдельных лиц так называемой болезни Рейно (Raynaud's

Syndrome). К симптомам могут относиться покалывание, онемение и побеление пальцев (как при переохлаждении). Считают, что наследственные факторы, охлаждение и влажность, диета, курение и практический опыт способствуют развитию этих симптомов. Ниже приводятся меры, которые может принять оператор для снижения воздействия вибрации:

- Одевайтесь теплее в холодную погоду. При эксплуатации изделия носите перчатки, чтобы сохранить руки и запястья в тепле. Считается, что холодная погода является основным фактором, способствующим возникновению болезни Рейно (Raynaud's Syndrome).
- После каждого этапа работы выполните упражнения для усиления кровообращения.
- Чаще делайте перерывы в работе. Сократите длительность ежедневного пребывания на открытом воздухе.

При появлении каких-либо из указанных симптомов сразу же прекратите работу и обратитесь по их поводу к врачу.

#### **▲ ОСТОРОЖНО**

Слишком продолжительное использование инструмента может привести к травме. При использовании инструмента в течение длительного времени делайте регулярные перерывы.

#### **ТРАНСПОРТИРОВКА И ХРАНЕНИЕ**

- Выключите инструмент, извлеките аккумуляторный блок и дайте инструменту остыть. Перед помещением инструмента на хранение и транспортировкой отключите инструмент от водоснабжения.
- Перед помещением инструмента на хранение удалите воду из всех шлангов и насоса и опустошите бак для мощного раствора.
- Аккуратно сверните сифонный шланг и храните его вместе с мойкой высокого давления.
- Очистите устройство от всех посторонних материалов. Храните инструмент в недоступном для детей, сухом,

прохладном, хорошо вентилируемом помещении без образования инея. Запрещается хранить изделие рядом с печью и другими нагревательными приборами, которые могут высушить уплотнения насоса. Оберегайте от веществ, вызывающих коррозию, например, садовых удобрений или соли для удаления льда. Запрещается хранить изделие на улице.

- Для транспортировки закрепите изделие так, чтобы оно не могло перемещаться или упасть во избежание травмирования персонала или повреждения изделия.

#### **▲ ОСТОРОЖНО**

Храните инструмент только в помещении. Хранение инструмента при температуре ниже 0° приведет к его порче.

#### **ПЕРЕВОЗКА ЛИТИЕВЫХ БАТАРЕЙ**

Транспортировку батареи осуществляйте в соответствии местными и национальными нормами и положениями.

Следуйте всем особым требованиям к упаковке и маркировке при транспортировке батареи в сторонние организации. Проверьте, чтобы батарея не соприкасалась с другими батареями или токопроводящими материалами во время транспортировки, защитив открытые контакты с помощью изоляции, непроводящих колпачков или пленки. Не транспортируйте поврежденные или протекающие батареи. За консультацией обращайтесь в транспортно-экспедиционную компанию.

#### **ОБСЛУЖИВАНИЕ**

#### **▲ ОСТОРОЖНО**

Используйте только оригинальные запчасти, аксессуары и насадки от производителя. Невыполнение этого требования может привести к травме, к снижению производительности и к аннулированию гарантии.

## ⚠ ОСТОРОЖНО

Обслуживание требует чрезвычайной заботы и знания и должно быть выполнено только квалифицированным техником обслуживания. Обратитесь в авторизованный сервисный центр. При выполнении технического обслуживания используйте только оригинальные запчасти от производителя.

- Выключите инструмент, извлеките аккумуляторный блок и дайте инструменту остыть. Отключите инструмент от водоснабжения перед:
  - Чистка изделия
  - техническим обслуживанием инструмента
  - заменой деталей
- Вы можете выполнять работы по регулировке и обслуживанию, которые описаны в данном руководстве. Для проведения других ремонтных работ или за получением рекомендаций обращайтесь в авторизованный сервисный центр.
- Регулярно проводите осмотр и техническое обслуживание изделия для его безопасной эксплуатации. Проверьте аккумуляторный отсек, плотность дверцы, а также периодически осматривайте на предмет повреждений. В случае повреждения какой-либо детали необходимо обратиться в авторизованный сервисный центр для выполнения надлежащего ремонта или замены.

## ИЗУЧИТЕ УСТРОЙСТВО

См. стр. 131.

1. Насадка 3-в-1
2. Кнопка высвобождения
3. Штанга
4. Кнопка блокировки
5. Защелка
6. Аккумуляторный отсек
7. Рукоять
8. Курковый переключатель
9. Водовпускное отверстие
10. Поплавок
11. Фильтр
12. Шланг сифонного водосброса
13. Быстроразъемный соединитель

## УСЛОВНЫЕ ОБОЗНАЧЕНИЯ НА ПРОДУКТЕ



Осторожно



Во избежание телесных повреждений пользователь должен внимательно ознакомиться и запомнить указания данного руководства до использования инструмента.



Пользуйтесь средствами защиты органов зрения и слуха.



Чтобы снизить риск получения травмы от впрыска высокого давления, не направляйте распылитель на людей или животных.



Отдача. Для снижения риска получения травмы при отбрасывании при включенном инструменте крепко удерживайте пусковую рукоять двумя руками.



Изделие не подлежит подключению к сети коммунального водоснабжения питьевой водой без обратного клапана.



Никогда не направляйте распылитель на людей, животных, корпуса транспортных средств, источники электропитания и электрические приборы.



Опасность разрыва



Настоящий инструмент отвечает всем официальным стандартам страны ЕС, в которой он был приобретен.



Знак Евразийского Соответствия



Украинский знак  
стандартизации



Отработанная электротехническая продукция должна уничтожаться вместе с бытовыми отходами. Утилизируйте, если имеется специальное техническое оборудование. По вопросам утилизации проконсультируйтесь с местным органом власти или предприятием розничной торговли.

## УСЛОВНЫЕ ОБОЗНАЧЕНИЯ В ДАННОМ РУКОВОДСТВЕ



Детали или принадлежности, приобретаемые отдельно



Примечание



Осторожно

Следующие сигнальные слова и значения предназначены, чтобы объяснить уровни риска, связанного с этим изделием.

### **ОПАСНО**

Указывает неизбежно опасную ситуацию, которая, если не избежать, кончится смертельным или серьезным ущербом.

### **ОСТОРОЖНО**

Указывает потенциально опасную ситуацию, которая, если не избежать, может кончиться смертельным или серьезным ущербом.

### **ПРЕДОСТЕРЕЖЕНИЕ**

Указывает потенциально опасную ситуацию, которая, если не избежать, может кончиться малым или уменьшенным ущербом.

## ПРЕДОСТЕРЕЖЕНИЕ

Употребляется без предупреждающего знака

Указывает на ситуацию, которая может привести к повреждению имущества.



**Транспортировка:**

Категорически не допускается падение и любые механические воздействия на упаковку при транспортировке.

При разгрузке/погрузке не допускается использование любого вида техники, работающей по принципу зажима упаковки.

**Хранение:**

Необходимо хранить в сухом месте.

Необходимо хранить вдали от источников повышенных температур и воздействия солнечных лучей.

При хранении необходимо избегать резкого перепада температур.

Хранение без упаковки не допускается.

**Срок службы изделия:**

Срок службы изделия составляет 5 лет.

Не рекомендуется к эксплуатации по истечении 5 лет хранения с даты изготовления без предварительной проверки.

**Дата изготовления** (код даты) отштампован на поверхности корпуса изделия.

Пример:

W17 Y2015, где Y2015 - год изготовления

W17 – неделя изготовления

Определить месяц изготовления можно согласно приведенной ниже таблице, на примере 2015 года.

**Обратите внимание!** Количество недель в месяце различается от года в год.

Месяц	Январь	Февраль	Март	Апрель	Май	Июнь	Июль	Август	Сентябрь	Октябрь	Ноябрь	Декабрь	Год
Неделя	01	05	09	14	18	22	27	31	36	40	44	49	2015
	02	06	10	15	19	23	28	32	37	41	45	50	
	03	07	11	16	20	24	29	33	38	42	46	51	
	04	08	12	17	21	25	30	34	39	43	47	52	
	05	09	13	18	22	26	31	35	40	44	48	53	
		14			27								

Bezpieczeństwo, efektywność i niezawodność były czynnikami o najwyższym priorytecie w trakcie projektowania Państwa myjki bezprzewodowej.

### PRZEZNACZENIE URZĄDZENIA

Myjka bezprzewodowa przeznaczona jest do stosowania wyłącznie na wolnym powietrzu.

Produkt jest przeznaczony do domowego użytkowania. Produkt przeznaczony jest do czyszczenia mebli tarasowych, okien, samochodów, łodzi itp. poprzez usuwanie uporczywych zabrudzeń czystą wodą z dodatkiem środka czyszczącego lub bez takiego dodatku.

Produkt należy stosować w miejscu dobrze oświetlonym.

Nie używać do żadnych innych celów.

### ⚠ OSTRZEŻENIE

Produkt przeznaczony jest do stosowania z neutralnym środkiem czyszczącym dostarczonym lub zalecanym przez producenta. Stosowanie innych środków czyszczących lub środków chemicznych może niekorzystnie wpływać na bezpieczeństwo produktu.

### OGÓLNE OSTRZEŻENIA DOTYCZĄCE BEZPIECZEŃSTWA PRACY

### ⚠ OSTRZEŻENIE

**Zapoznaj się ze wszystkimi zasadami bezpieczeństwa i instrukcjami.** Niezastosowanie się do ostrzeżeń i instrukcji może spowodować porażenie prądem, pożar oraz/lub poważne obrażenia ciała.

### ⚠ OSTROŻNIE

Produkt nie może być zasilany ze źródła wody pitnej bez zabezpieczającego przed przepływem zwrotnym przerywacza próżni zgodnego z normą EN 12729 typ BA. Woda przepływająca przez zabezpieczający przed przepływem zwrotnym przerywacz próżni jest uważana za niezdatną do picia. Produktu nie wolno podłączać do sieci wodociągowej.

■ Produkt nie jest przeznaczony do używania przez dzieci lub osoby o ograniczonej sprawności fizycznej lub sensorycznej bądź ograniczonych zdolnościach umysłowych,

bądź też pozbawione doświadczenia lub wiedzy. Należy dopilnować, aby dzieci nie bawiły się produktem.

- Podczas obsługi produktu należy nosić środki ochrony indywidualnej, takie jak okulary ochronne i ochrona słuchu.
- Dzieci i osoby postronne powinny przebywać z dala od produktu, tak by można było zmniejszyć ryzyko obrażeń. Wszystkie osoby postronne powinny nosić okulary ochronne i przebywać w bezpiecznej odległości od miejsca pracy.
- Należy sprawdzić, czy urządzenia zabezpieczające znajdują się w dobrym stanie technicznym. Przed każdym użyciem upewnić się, czy wszystkie urządzenia zabezpieczające działają prawidłowo:
  - Uchwyt
    - Uchwyt rękojeści ma powierzchnię chwytną, która zapewnia dodatkową kontrolę nad lanca natryskową i pomaga ograniczyć zmęczenie.
  - Przycisk blokujący
    - Przycisk blokujący blokuje spust i zapobiega przypadkowemu włączeniu strumienia wysokociśnieniowego.
- Nie używać produktu, jeśli ważne części, takie jak zabezpieczenia lub lanca natryskowa, są uszkodzone.

### ⚠ OSTRZEŻENIE

Podczas używania myjek mogą powstawać aerozole. Wdychanie aerozoli może być niebezpieczne dla zdrowia.

### ⚠ OSTRZEŻENIE

Podczas pociągania za spust nie wolno obracać dyszą. Jeśli podczas obracania dyszy z produktu wypływa woda, oznacza to, że kanał odciążający wypuszcza wodę. Nie jest to przeciek, ale normalny objaw funkcjonowania zabezpieczenia umożliwiającego odprowadzenie wody bez uszkodzenia narzędzia.

- Strumień pod wysokim ciśnieniem jest niebezpieczny w przypadku nieprawidłowego stosowania. Nie kierować strumienia w stronę ludzi, sprzętu elektrycznego pod napięciem lub samego produktu.
- Aby uniknąć ryzyka wybuchu, nie rozpylać cieczy łatwopalnych.



EN
FR
DE
ES
IT
NL
PT
DA
SV
FI
NO
RU
<b>PL</b>
CS
HU
RO
LV
LT
ET
HR
SL
SK
BG
UK
TR

- Nie kierować strumienia na siebie lub inne osoby w celu oczyszczenia ubrań lub obuwia.
- Stosowanie węży, złączek i innych elementów osprzętu jest istotne dla bezpieczeństwa produktu. Stosować wyłącznie węże, złączki i inne elementy osprzętu zalecane przez producenta.
- W niektórych regionach obowiązują przepisy ograniczające używanie produktu. Należy skontaktować się z lokalnymi urzędami i zasięgnąć informacji.
- Przed każdym użyciem sprawdzić produkt pod kątem braku uszkodzeń. Uszkodzone węże należy bezzwłocznie wymienić. Należy upewnić się, czy wszystkie połączenia, takie jak połączenie lancy natryskowej i dyszy, są bezpieczne. Rozwijając wąż prawidłowo, tak by nie został skręcony lub zagięty.
- Przed rozpoczęciem mycia zawsze zamykać drzwi i okna. Z przeznaczonej do czyszczenia powierzchni należy usunąć gruz, zabawki, meble ogrodowe i inne przedmioty, które mogłyby spowodować zagrożenie.
- Nie używać produktu w temperaturach poniżej 0°C.
- Nie stosować w produkcji kwasów, ługów, rozpuszczalników, materiałów łatwopalnych, wybielaczy ani roztworów przemysłowych. Produkty te mogą spowodować fizyczne obrażenia operatora i nieodwracalne uszkodzenie urządzenia.
- Nigdy nie należy pozostawiać produktu bez nadzoru, gdy jest on podłączony do akumulatora. Wyłączyć produkt i pozostawić dopiero wtedy, gdy całkowicie się zatrzyma. Gdy produkt jest on zasilany energią, należy przechowywać go w miejscu niedostępnym dla dzieci.
- Zapoznać się z elementami sterującymi. Zapoznać się ze sposobami zatrzymywania produktu i szybkiego zmniejszania ciśnienia.
- Zachować ostrożność i nie dopuszczać do utraty kontroli nad urządzeniem. Obserwować miejsce pracy i wykonywane czynności, zachować zdrowy rozsądek.
- Nie należy przystępować do pracy, będąc zmęczonym, chorym lub pod wpływem narkotyków, alkoholu albo leków. Chwila nieuwagi podczas obsługi urządzenia może spowodować poważne urazy ciała.
- Nie wolno używać tego urządzenia, jeśli wyłącznik nie pracuje poprawnie. Używanie urządzenia bez sprawnego wyłącznika jest zbyt niebezpieczne - należy oddać je do naprawy.
- W trakcie mycia pojazdów zachować minimalną odległość 30 cm. Strumień pod wysokim ciśnieniem może spowodować uszkodzenie lub rozerwanie opon lub wentyli opon pojazdu.
- Produktu nie należy używać, jeśli został upuszczony, jeśli widoczne są oznaki uszkodzenia lub jeśli jest nieszczelny.

### **▲ OSTRZEŻENIE**

Strumień pod wysokim ciśnieniem może być niebezpieczny w przypadku nieprawidłowego stosowania. Strumienia nie wolno kierować w stronę ludzi, zwierząt, urządzeń elektrycznych lub samego produktu.

- Mocno trzymać uchwyt oburącz. Po naciśnięciu spustu należy spodziewać się odrzutu spowodowanego siłami reakcji. Niespełnienie tego warunku może spowodować utratę kontroli i obrażenia operatora oraz innych osób.
- Zachować ostrożność, aby uniknąć poślizgu lub upadku.
- Stojąc, należy zachować stabilność i równowagę. Nie sięgać zbyt daleko. Sięganie zbyt daleko grozi utratą równowagi.
- Akumulatory należy ładować wyłącznie za pomocą ładowarki określonej przez producenta. Ładowarka przeznaczona do jednego modelu akumulatora może być przyczyną pożaru w przypadku zastosowania do ładowania akumulatora innego typu.
- Gdy akumulator nie jest używany, przechowywać go z dala od innych metalowych przedmiotów, np. spinaczy, monet, kluczy, gwoździ, śrub lub innych małych metalowych przedmiotów, które mogłyby utworzyć połączenie między stykami, prowadząc do zwarcia. Zwarcie styków akumulatora może spowodować oparzenia lub pożar.
- Trzymać akumulator i ładowarkę z dala od miejsc mokrych lub wilgotnych.

### **AKUMULATOR — OSTRZEŻENIA DOTYCZĄCE BEZPIECZEŃSTWA**



- Używać produktu wyłącznie z akumulatorami wymienionymi w niniejszej instrukcji. Używanie innych akumulatorów wiąże się ze zwiększonym ryzykiem pożaru lub obrażeń ciała.
- W przypadku niewłaściwej obsługi może dojść do wycieku płynu z akumulatora, należy unikać kontaktu z tym płynem. Miejsce ewentualnego kontaktu przepłukać wodą. W przypadku, gdy płyn dostanie się do oczu, niezwłocznie zwrócić się o pomoc do lekarza. Płyn wyciekający z akumulatora może powodować podrażnienia i oparzenia.
- Akumulator jest wyposażony w zabezpieczenie przeciążeniowe. Nadmierna temperatura może spowodować wyłączenie elektronarzędzia przez akumulator. Sprawdzić akumulator: jeśli jest zbyt ciepły, przed wznowieniem pracy pozostawić do ostygnięcia. Jeśli elektronarzędzie nadal nie działa, należy naładować akumulator.

**UWAGA:** Wskaźnik LED akumulatora nie będzie świecił, jeśli układ zabezpieczający akumulator odetnie zasilanie elektronarzędzia. Zwolnić przycisk włącznika lub wyjąć akumulator z produktu, a wskaźnik LED akumulatora ponownie zacznie prawidłowo działać.

#### ▲ OSTRZEŻENIE

Nie rozbryzgiwać wody na produkt. Może to spowodować uszkodzenie akumulatora.

#### ▲ OSTRZEŻENIE

Aby uniknąć niebezpieczeństwa pożaru, obrażeń lub uszkodzeń produktu na skutek zwarcia, nie wolno zanurzać narzędzia, akumulatora wymiennego ani ładowarki w cieczach i należy zatroszczyć się o to, aby do urządzeń i akumulatorów nie dostały się żadne ciecze. Zwarcie spowodować mogą korodujące lub przewodzące ciecze, takie jak woda morska, określone chemikalia i wybielacze lub produkty zawierające wybielacze.

#### RYZIKO ZWIĄZANE Z UŻYTKOWANIEM

Nawet jeśli produkt jest używany zgodnie z zaleceniami, nadal nie jest możliwe wyeliminowanie określonych czynników ryzyka. Następujące zagrożenia mogą

wystąpić podczas używania urządzenia i operator powinien zwracać szczególną uwagę na poniższe punkty:

- Urazy ciała spowodowane przez wibracje
  - Należy trzymać produkt za odpowiednie uchwyty oraz stosować się do zaleceń dotyczących czasu pracy i narażenia.
- Obrażenia ciała spowodowane wyrzucanymi odpadkami.
  - Stosować przez cały czas środki ochrony oczu.
- Urazy ciała spowodowane hałasem
  - Należy nosić środki ochrony uszu oraz ograniczyć poziom narażenia

#### OGRANICZENIE RYZYKA

Badania dowodzą, że wibracje powodowane przez narzędzia ręczne mogą wywoływać u niektórych osób objawy syndromu Raynauda. Typowe objawy to mrowienie, drętwienie i blednięcie palców, widoczne zwykle po wystawieniu na działanie zimna. Uważa się, że czynniki dziedziczne, wystawienie na działanie zimna i wilgoci, dieta, palenie papierosów i przyjęte zwyczaje przyczyniają się do rozwoju tych objawów. Istnieją działania, które może podjąć operator maszyny w celu ograniczenia skutków emisji drgań:

- Zadać w niskich temperaturach o ciepłotę własnego ciała, zakładając odpowiednie ubranie. Podczas obsługi produktu należy nosić rękawice, aby dłonie i nadgarstki były ciepłe. Wiadomo, że niskie temperatury są główną przyczyną powstawania objawu Raynauda.
- Podczas przerw w pracy należy wykonywać ćwiczenia poprawiające krążenie krwi..
- Podczas pracy robić częste przerwy. Ograniczyć ekspozycję w ciągu dnia.

W razie doświadczenia dowolnego z wymienionych objawów, należy niezwłocznie zaprzestać użytkowania tego urządzenia i skontaktować się z lekarzem.

#### ▲ OSTRZEŻENIE

Długotrwałe użytkowanie narzędzia może spowodować obrażenia ciała lub nasilić dolegliwości zdrowotne. W przypadku używania narzędzia przed dłuższy czas należy pamiętać o regularnych przerwach.

## TRANSPORT I PRZECHOWYWANIE

- Zatrzymać produkt, wyjąć akumulator i pozostawić do ostygnięcia. Przed rozpoczęciem przechowywania lub transportu odłączyć produkt od sieci wodociągowej.
- Przed rozpoczęciem przechowywania produktu usunąć wodę ze wszystkich przewodów i pompy oraz opróżnić zbiornik na detergent.
- Schłodnie zwinąć wąż syfonowy i przechowywać go razem z myjką.
- Usunąć z produktu wszelkie zanieczyszczenia. Przechowywać produkt w miejscu suchym, dobrze wentylowanym i chłodnym, ale zabezpieczonym przed mrozem, a także niedostępnym dla dzieci. Nie należy przechowywać produktu w pobliżu pieców lub innych źródeł ciepła, które mogłyby wysuszyć uszczelki pompy. Nie przechowywać urządzenia wraz z materiałami korozyjnymi, takimi jak ogrodowe substancje chemiczne lub sól odmrażająca. Nie przechowywać produktu poza pomieszczeniami.
- W przypadku transportu produktu należy zabezpieczyć go przed przemieszczaniem się lub upadkiem, aby nie dopuścić do obrażeń ciała lub uszkodzenia urządzenia.

### ▲ OSTRZEŻENIE

Przechowywać produkt wyłącznie w pomieszczeniach. Przechowywanie w temperaturze poniżej 0°C spowoduje uszkodzenie produktu.

## TRANSPORTOWANIE AKUMULATORÓW LITOWYCH

Akumulatory należy transportować zgodnie z lokalnymi i krajowymi przepisami i regulacjami. Należy postępować zgodnie z wszystkimi specjalnymi wymaganiami dotyczącymi pakowania i etykietowania akumulatorów podczas transportu przez stronę trzecią. Upewnij się, że żadne akumulatory nie zetkną się z innymi akumulatorami lub materiałami przewodzącymi podczas transportu; w tym celu należy zabezpieczyć odkryte złącza nieprzewodzącymi nakładkami izolacyjnymi lub taśmą izolacyjną. Nie należy transportować pękniętych ani nieszczelnych akumulatorów. Szczegółowe porady można uzyskać w firmie spedycyjnej.

## KONSERWACJA

### ▲ OSTRZEŻENIE

Należy stosować wyłącznie oryginalne części zamienne, akcesoria oraz przystawki producenta. Niezastosowanie się do tego wymogu może stać się przyczyną możliwych obrażeń ciała, obniżenia wydajności produktu, a także unieważnienia gwarancji.

### ▲ OSTRZEŻENIE

Serwisowanie wymaga wyjątkowej staranności i wiedzy. Może być wykonywane wyłącznie przez wykwalifikowany personel serwisowy. Serwisowanie należy powierzać wyłącznie autoryzowanemu serwisowi. Do serwisowania należy stosować wyłącznie oryginalne części zamienne producenta.

- Zatrzymać produkt, wyjąć akumulator i pozostawić do ostygnięcia. Odłączyć produkt od sieci wodociągowej przed przystąpieniem do:
  - czyszczenie produktu
  - konserwacji produktu, a także
  - wymiany części zamiennych.
- Użytkownik może jedynie wykonywać czynności regulacyjne i naprawcze opisane w tej instrukcji obsługi. W przypadku innych napraw lub pytań należy zwrócić się o pomoc do autoryzowanego punktu serwisowego.
- Produkt należy regularnie sprawdzać i konserwować w celu zapewnienia bezpiecznej pracy. Należy upewnić się, że komora akumulatora jest właściwie zmontowana i szczelnie zamknięta, a ponadto często sprawdzać ją pod kątem braku uszkodzeń. Każda uszkodzona część musi zostać naprawiona lub wymieniona w autoryzowanym serwisie.

## ZAPOZNAJ SIĘ ZE SWOIM PRODUKTEM

Patrz str. 131.

1. Dysza „3 w 1”
2. Przycisk zwalniania
3. Lanca natryskowa
4. Przycisk blokujący
5. Zatrask
6. Komora akumulatora
7. Uchwyt
8. Spust włączający

9. Wlot wody
10. Pływak
11. Filtr
12. Wąż z syfonem
13. Szybkozłączka

## SYMBOLE UMIESZCZONE NA PRODUKCIE



Ostrzeżenie



Aby zmniejszyć ryzyko zranienia, użytkownik musi przeczytać i zrozumieć podręcznik obsługi przed przystąpieniem do użytkowania tego urządzenia.



Zakładać środki ochrony wzroku i słuchu.



Aby zmniejszyć ryzyko obrażeń w wyniku wtrysku o wysokim ciśnieniu, nie należy kierować strumienia w stronę ludzi lub zwierząt.



Zjawisko odrzutu. Aby zmniejszyć ryzyko obrażeń spowodowanych odrzutem, trzymać uchwyt ze spustem oburącz, gdy produkt jest włączony.



Produkt nie jest przystosowany do podłączenia do sieci wody pitnej bez urządzenia zapobiegającego przepływowi zwrotnemu.



Nigdy nie kierować końcówki natryskowej w stronę ludzi, zwierząt, korpusu produktu, źródła zasilania lub jakichkolwiek urządzeń elektrycznych.



Ryzyko rozerwania



Produkt spełnia wszystkie wymagania norm w kraju należącym do Unii Europejskiej, gdzie produkt został zakupiony.



Oznaczenie zgodności EurAsian



Ukraiński znak zgodności

001



Zużyte produkty elektryczne nie powinny być utylizowane z odpadami domowymi. Prosimy poddawać recyklingowi w odpowiednich miejscach. Informacje o właściwych metodach recyklingu można uzyskać u władz lokalnych lub sprzedawcy.

## SYMBOLE W TYM PODRĘCZNIKU



Części lub akcesoria sprzedawane osobno



Uwaga



Ostrzeżenie!

Poniższe symbole i nazwy które im nadano, pozwalają wyjaśnić różne poziomy ryzyka związane z używaniem tego narzędzia.

### ⚠ NIEBEZPIECZEŃSTWO

Wskazuje na realne zagrożenie, które może spowodować śmierć lub poważne zranienie, jeżeli się nie uniknie tego niebezpieczeństwa.

### ⚠ OSTRZEŻENIE

Wskazuje na potencjalne zagrożenie, które może spowodować śmierć lub poważne zranienie, jeżeli się nie uniknie tego niebezpieczeństwa.

### ⚠ UWAGA

Wskazuje na potencjalne zagrożenie, które może spowodować mniejsze lub bardziej poważne zranienie, jeżeli się nie uniknie tego niebezpieczeństwa.

### UWAGA

Bez symbolu ostrzeżenia Sytuacja, która może grozić uszkodzeniem mienia.

V provedení tohoto akumulátorového vysokotlakého čističe hrají hlavní roli bezpečnost, provozní vlastnosti a spolehlivost.

### ZAMÝŠLENÉ POUŽITÍ

Tento akumulátorový vysokotlaký čistič je určen pouze pro venkovní používání.

Výrobek je navržen pro domácí používání. Slouží k čištění zahradního nábytku, oken, motorových vozidel a člunů odstraňováním odolných nečistot čistou vodou s čisticím přípravkem nebo bez něj.

Musí být používán v řádně osvětleném prostředí.

Přístroj nepoužívejte ji k jiným účelům.

### VAROVÁNÍ

Tento výrobek je určen k použití s neutrálním čisticím prostředkem dodávaným nebo doporučeným výrobcem. Použití jiných čisticích prostředků nebo chemikálií může mít nepříznivý dopad na bezpečnost výrobku.

### VŠEOBECNÁ BEZPEČNOSTNÍ VAROVÁNÍ

#### VAROVÁNÍ

**Přečtěte si všechny pokyny a bezpečnostní varování.** Opomenutí dodržování varování a pokynů uvedených níže může způsobit úraz elektrinou požár a/ nebo vážná poranění osob.

#### VAROVÁNÍ

Výrobek nesmí být používán na přívodu pitné vody bez instalace zábrany proti zpětnému průtoku, který vyhovuje normě EN 12729 typu BA. Voda proudící zábranou zpětného průtoku není pitná. Čistič nesmí být připojován k přívodu vody.

- Výrobek není určen k použití dětmi nebo osobami se sníženou fyzickou, smyslovou nebo duševní schopností nebo s nedostatkem zkušeností a znalostí. Dohlédněte, aby si děti se spotřebičem nehrály.
- Při obsluze čističe používejte osobní ochranné prostředky, například ochranné brýle a ochranu sluchu.

- Kvůli snížení rizika úrazu udržujte mimo dosah dětí a osob v okolí. Všechny osoby v okolí musí používat ochranné brýle a udržovat bezpečnou vzdálenost od prostoru používání čističe.
- Zkontrolujte, zda jsou bezpečnostní prvky v dobrém provozním stavu. Před každým použitím se ujistěte, že všechny bezpečnostní prvky správně fungují:
  - Úchop
    - Úchop má protiskluzový povrch, který umožňuje lepší ovládání trysky a snižuje únavu.
  - Blokovací tlačítko
    - Blokovací tlačítko zajišťuje polohu spouště, aby nedošlo k nechtěnému spuštění vysokotlakého proudu.
- Čistič nepoužívejte, pokud jsou poškozené důležité díly, například bezpečnostní prvky nebo nástavec trysky.

### VAROVÁNÍ

Během používání vysokotlakých čističů se může vytvářet aerosol. Vdechnutí aerosolu může být zdraví škodlivé.

### VAROVÁNÍ

Při stlačené spoušti neotáčejte trysku. Pokud během otáčení trysky proudí voda, je voda odkloněna do odlehčovacího výtoku. Nejedná se o netěsnost, ale o funkci chránící čistič před poškozením.

- Při nesprávném použití je vysokotlaký proud nebezpečný. Nemiřte proud na lidi, elektrické zařízení pod proudem ani na samotný výrobek.
- Z důvodu prevence rizika výbuchu nestříkejte na hořlavé kapaliny.
- Nemiřte proud na sebe ani na druhé za účelem umytí oděvů či obuvi.
- Hadice, fitinky a spojky jsou důležité pro bezpečnost čističe. Používejte pouze hadice, fitinky a spojky doporučené výrobcem.
- Místní předpisy mohou omezovat použití výrobku. Ověřte si u svého orgánu místní správy toto nařízení.
- Před každých použitím zkontrolujte, zda není výrobek poškozený. Poškozené hadice musí být okamžitě vyměněny.

Všechny spoje, například připojení nástavce a trysky, musí být pevné a bez netěsností. Řádně hadici narovnejte, aby se nezalomila nebo nezkroutila.

- Před začátkem čištění zavřete dveře a okna. Ukliděte čištěný prostor a odstraňte veškeré volné předměty, hračky, venkovní nábytek a jiné věci, které by mohly způsobit problém.
- Výrobek nepoužívejte při teplotách pod 0 °C.
- S výrobkem nepoužívejte kyseliny, rozpouštědla, hořlavý materiál, bělidla ani průmyslové roztoky. Tyto výrobky mohou způsobit fyzickou újmu uživateli a nezvratně poškodit výrobek.

#### **⚠ VAROVÁNÍ**

Při nesprávném použití může být vysokotlaký proud nebezpečný. Proud nesmíte mířit na lidi, zvířata, elektrická zařízení ani na samotný výrobek.

- Oběma rukama pevně uchopte rukojeť. Počítejte s tím, že sebou při zmáčknutí spouště rukojeť vlivem reakční síly cukne. Jinak byste mohli ztratit nad výrobkem kontrolu a ublížit sobě a ostatním.
- Dávejte pozor, abyste neuklouzli nebo nespadli.
- Udržujte bezpečné postavení a rovnováhu. Nepřeceňujte se. Přeceňování může způsobit ztrátu rovnováhy.
- Když je čistič připojen k baterii, nenechávejte jej nikdy bez dozoru. Čistič vypněte a počkejte na jeho úplné zastavení. Při připojeném napájení musí být čistič mimo dosah dětí.
- Obeznamte se z ovládacími prvky. Zjistěte, jak výrobek zastavit a rychle uvolnit tlak.
- Buďte ostrážití a obezřetní. Sledujte to, co děláte a používejte cit.
- Pílu nepoužívejte při únavě nebo v nemoci ani pod vlivem drog, alkoholu nebo léků. Chvilu nepozornosti při práci s tímto výrobkem může způsobit vážná osobní poranění.
- Výrobek nepoužívejte, pokud přepínač nezapíná nebo nevypíná. Elektrický nástroj, který nemůže být ovládnán spínačem, je nebezpečný a musí být opraven.

- Při čištění vozidel udržujte minimálně 30cm odstup. Pod vysokotlakým proudem může dojít k poškození nebo prasknutí pneumatik, popř. ventilků.
- Čistič by neměl být používán, pokud došlo k jeho pádu nebo vykazuje viditelné poškození či netěsnost.

#### **VAROVÁNÍ K BATERII**

- K nabíjení bateriového svazku použijte pouze nabíječku specifikovanou výrobcem. Nabíječka, která je vhodná pro jeden typ akumulátoru může způsobit nebezpečí požáru, pokud se používá s jiným bateriovým modulem.
  - Pokud akumulátor nepoužíváte, uchovávejte jej mimo kovové předměty jako svorky pro papír, mince, klíče, hřebíky, šrouby nebo jiné malé kovové předměty, které mohou vytvořit propojení jednoho vývodu s druhým. Zkratování vývodů baterie může způsobit požár nebo popálení.
  - Baterii a nabíjecí sadu uchovávejte mimo mokré a vlhké prostředí.
  - Výrobek používejte pouze s baterií uvedenou v této příručce. Použití jakéhokoliv jiného akumulátoru může způsobit nebezpečí poranění a požáru.
  - Za nevhodných podmínek může z baterie vytékat kapalina; zabraňte kontaktu. Pokud dojde k náhodnému kontaktu, omyjte vodou. Pokud kapalina přijde do kontaktu s očima, ihned vyhledejte lékařskou pomoc. Kapalina vytečená z baterie způsobí podráždění nebo popáleniny.
  - Akumulátor má ochranu proti přehřátí. Nadměrné teploty způsobují, že baterie přestane napájet přístroj. Sáhnete na baterii. Je-li příliš horká, nechte ji před započítím další práce zchladnout. Pokud zařízení stále nefunguje, je třeba akumulátor nabít.
- POZNÁMKA:** LED indikační světlo baterie nefunguje, pokud ochranná funkce baterie zapříčinila, že baterie přestane napájet přístroj. Pusťte tlačítko zapnutí/vypnutí nebo baterii vyjměte z výrobku a kontrolka LED baterie se vrátí k normální funkci.





### ⚠ VAROVÁNÍ

Čistič chraňte před stříkající vodou. Mohla by poškodit baterii.

### ⚠ VAROVÁNÍ

Abyste zabránili nebezpečí požáru způsobeného zkratem, poraněním nebo poškozením výrobku, neponořujte náradí, výměnnou baterii nebo nabíječku do kapalin a zajistěte, aby do zařízení a akumulátorů nevnikly žádné tekutiny. Korodující nebo vodivé kapaliny, jako je slaná voda, určité chemikálie a bělicí prostředky nebo výrobky, které obsahují bělidlo, mohou způsobit zkrat.

### ZBYTKOVÁ RIZIKA

Dokonce, i když se výrobek provozuje jak je předepsáno, je stále nemožné zcela eliminovat veškeré zbytkové rizikové faktory. Následující nebezpečí mohou nastat při používání; vyhybejte se:

- Poranění způsobené vibracemi
  - Držte výrobek za rukojeť určené k držení a práci provádějte po omezenou dobu.
- Poranění způsobené létajícími kusy.
  - Vždy noste adekvátní ochranu zraku.
- Zranění způsobené hlukem
  - Noste ochranu sluchu a omezte vystavení.

### SNÍŽENÍ RIZIKA

Bylo zjištěno, že vibrace z ručních pracovních nástrojů mohou u některých osob přispívat ke stavu tzv. Raynaud's Syndrome (Raynaudovu syndromu). Mezi jeho příznaky patří brnění, necitlivost a zbledení prstů, patrné obvykle po pobytu v chladu. Vědci se domnívají, že k rozvinutí těchto příznaků přispívají dědičné faktory, pobyt v chladu a vlhku, strava, kouření a pracovní návyky. Uživatel může omezit případné působení vibrací použitím vhodných opatření:

- Za chladného počasí se teple oblečte. Při práci s výrobkem si navlékněte rukavice, abyste udrželi ruce a zápěstí v teple. Bylo zjištěno, že chladné počasí je hlavním faktorem přispívajícím k Raynaud's Syndrome (Raynaudovu syndromu).

- Během práce si v pravidelných intervalech zacvičte, abyste zvýšili krevní oběh.
- Zařazujte časté pracovní přestávky. Omezte dobu práce za den.

Jakmile pocítíte některý z výše uvedených příznaků tohoto syndromu, okamžitě přerušte práci a vyhledejte lékaře.

### ⚠ VAROVÁNÍ

Poranění mohou být způsobena, či zhoršena, prodlouženým používáním nástroje. Když používáte jakýkoliv nástroj delší dobu, dělejte pravidelně přestávky.

### TRANSPORT A SKLADOVÁNÍ

- Zastavte výrobek, vyjměte baterii a nechte výrobek vychladnout. Před uschováním nebo přepravou odpojte výrobek od přívodu vody.
- Před uschováním výrobku odstraňte vodu ze všech hadic i čerpadla a vyprázdněte nádobu na čisticí prostředky.
- Sifonovou hadici úhledně stočte a uložte ji spolu s čističem.
- Odstraňte z výrobku všechn cizí materiál. Uschovejte na chladném, suchém a dobře větraném místě při teplotách nad 0 °C, kam nemají přístup děti. Čistič neskladujte v blízkosti ohniště ani jiných zdrojů tepla, které by mohly vysoušet těsnění čerpadla. Udržujte produkt mimo korozivní materiály, například zahrádkářské chemikálie a rozmrazovací soli. Výrobek neskladujte venku.
- Při transportu výrobku zajistěte proti pohybum nebo pádu, abyste zabránili poranění osob nebo poškození výrobku.

### ⚠ VAROVÁNÍ

Čistič ukládejte pouze ve vnitřním prostoru. Skladování v prostoru s teplotou pod 0 °C čistič poškodí.

### TRANSPORT LITHIOVÝCH BATERIÍ

Přenos baterií dle místních a národních opatření a předpisů.

Dodržujte všechny zvláštní požadavky na balení a značení při transportu baterií třetí stranou. Zajistěte, aby žádné baterie

- EN
- FR
- DE
- ES
- IT
- NL
- PT
- DA
- SV
- FI
- NO
- RU
- PL
- CS**
- HU
- RO
- LV
- LT
- ET
- HR
- SL
- SK
- BG
- UK
- TR



nepřišly do kontaktu s jinými bateriemi nebo vodivými materiály při transportu pomocí ochrany nekrytých kontaktů prostřednictvím izolace, nevodivých krytek či lepicích pásek. Nepřepravujte prasklé nebo baterie s unikajícím elektrolytem. Ptejte se u záložkové společnosti na další radu.

## ÚDRŽBA

### ⚠ VAROVÁNÍ

Používejte pouze originální příslušenství, doplňky a náhradní díly výrobce. Zanedbání může zapříčinit možné poranění, slabý výkon a může dojít ke ztrátě záruky.

### ⚠ VAROVÁNÍ

Údržba vyžaduje extrémní péči a znalosti a měla by být prováděna pouze kvalifikovaným servisním technikem. Výrobek nechte opravit pouze v pověřeném servisu. Při údržbě používejte pouze původní náhradní díly výrobce.

- Zastavte výrobek, vyjměte baterii a nechte výrobek vychladnout. Odpojte výrobek od přívodu vody, pokud se chystáte:
  - čištění výrobku
  - provést údržbu výrobku
  - vyměnit náhradní díly
- Můžete provádět pouze v návodu k obsluze uvedené opravy a seřízení. Pro jiné opravy nebo poradenství, požádejte o pomoc autorizované servisní středisko.
- K zajištění bezpečného provozu pravidelně vysokotlaký čistič kontrolujte a provádějte jeho údržbu. Držák baterie musí být správně sestaven, nepropustně uzavřen a často kontrolován, zda není poškozen. Jakýkoliv poškozený díl je nutné správně opravit nebo nechat vyměnit v autorizovaném servisním středisku.

## POZNEJTE SVŮJ NÁSTROJ

Viz strana 131.

1. Tryska 3-v-1
2. Uvolňovací tlačítko
3. Rozstříkovací trubice
4. Blokovací tlačítko
5. Západka
6. Držák baterie
7. Úchop

8. Spínač
9. Vstup vody
10. Plovák
11. Filtr
12. Sifonová hadice
13. Rychlospojka

## SYMBOLY NA VÝROBKU



Varování



Pro snížení nebezpečí poranění musí uživatel před použitím tohoto nástroje přečíst a pochopit návod k použití.



Použití ochrany očí a sluchu.



V rámci snížení rizika úrazu z proudu vody nemiřte proud na lidi ani na zvířata.



Odmrštění. K snížení rizika úrazu způsobeného zpětným rázem držte při zapnutém čističi rukojeť pevně oběma rukama.



Čistič není vhodný pro připojení k přívodu pitné vody bez zpětného ventilu.



Nikdy nemiřte stříkací tyč na lidi, zvířata, tělo stroje, zdroj elektrického napětí ani na elektrické spotřebiče.



Riziko prasknutí



Toto nářadí je v souladu se všemi normami a předpisy platnými v zemi EU, ve které bylo zakoupeno.



Euroasijská značka shody



Ukrajinská značka shody



Odpad elektrických výrobků se nesmí likvidovat v domovním odpadu. Recyklujte prosím na sběrných místech. Ptejte se u místních úřadů nebo prodejce na postup při recyklaci.

## SYMBOLY V NÁVODU



Díly nebo příslušenství jsou v prodeji samostatně



Poznámka



Varování

Následující signální slova a významy jsou vhodné pro vysvětlení úrovní nebezpečí spojených s tímto výrobkem.

### **NEBEZPEČÍ**

Označuje bezprostředně rizikovou situaci, které je třeba předejít, jinak bude jejím následkem smrt nebo vážné zranění.

### **VAROVÁNÍ**

Označuje možnou rizikovou situaci, které je třeba předejít, jinak jejím následkem může být smrt nebo vážné zranění.

### **VAROVÁNÍ**

Označuje možnou rizikovou situaci, které je třeba předejít, jinak jejím následkem může být smrt nebo vážné zranění.

### **VAROVÁNÍ**

Bez symbolu bezpečnostní výstrahy

Určuje situaci, která může mít za následek vážné poškození.



Az akkumulátoros magasnyomású mosó tervezése során elsődleges szempont volt a biztonság, a teljesítmény és a megbízhatóság.

### RENDELTELTÉSSZERŰ HASZNÁLAT

Az akkumulátoros magasnyomású mosót kizárólag kültéri használatra tervezték.

A termék otthoni vagy háztartási használatra készült. Az udvari bútorok, ablakok, járművek, csónakok tisztítására használható a makacs szennyeződések eltávolításával tiszta vízzel, tisztítószerrel vagy anélkül.

A terméket jól megvilágított feltételek mellett kell használni.

Semmilyen más célra ne használja.

#### ▲ FIGYELMEZTETÉS

Ellenőrizze a biztonsági elemek, például biztonsági szelepek, folyadékáram-átkapcsolók és nyomáskapcsolók kifogástalan műszaki állapotát. Más tisztítószerrel vagy vegyszerek ronthatják a termék biztonságát.

### ÁLTALÁNOS BIZTONSÁGI FIGYELMEZTETÉSEK

#### ▲ FIGYELMEZTETÉS

**Olvassa el az összes biztonsági figyelmeztetést és útmutatást.** A figyelmeztetések és utasítások be nem tartása elektromos áramütést, tüzet és/vagy súlyos sérülést eredményezhet.

#### ▲ FIGYELEM FELHÍVÁS

A terméket nem szabad az ivóvízhálózatra kötni EN 12729 BA típusú visszafolyásgátló nélkül. A visszafolyásgátlón átfolyó víz nem ihatónak minősül. A terméket tilos a vízhálózathoz csatlakoztatni.

- A terméket nem használhatják gyermekek, korlátozott fizikai, érzékszervi vagy értelmi képességű, illetve kellő tapasztalattal és tudással nem rendelkező személyek. A gyerekekre oda kell figyelni, nehogy játsszanak a termékkel.
- A termék működtetésekor viseljen egyéni védőfelszerelést, azaz védőszemüveget és hallásvédőt.

- A sérülések csökkentéséhez mindig tartsa távol a gyermekeket és a közelben lévő embereket. A közelben tartózkodók viseljenek védőszemüveget, és maradjanak biztonságos távolságban a munkaterülettől.
- Ellenőrizze a biztonsági eszközök kifogástalan műszaki állapotát. Használat előtt győződjön meg az összes biztonsági elem kifogástalan működéséről:
  - Fogantyú markolata
    - A fogantyún lévő markolat felülete segítségével a szórószerű még jobban irányítható, és a munka kevésbé lesz fárasztó.
  - Zárógomb
    - A zárógomb rögzíti a kapcsolót, így megakadályozza a nagynyomású sugár akaratlan megnyitását.
- Ne használja a terméket, ha megsérültek fontos részei, például a biztonsági eszközök vagy a szórószerű.

#### ▲ FIGYELMEZTETÉS

A magasnyomású mosók használatakor páras köd keletkezhet. A köd belélegzése egészségre ártalmas lehet.

#### ▲ FIGYELMEZTETÉS

Ne forgassa el a szórófejet az indítóbillentyű meghúzása közben. Ha folyik a víz a szórófej forgatása közben, a nyomáscsökkentő csatorna ereszti ki a vizet. Ez nem szívárgás, hanem a szerszám károsodása nélkül jön ki a víz.

- A nagynyomású vízsugár veszélyes, ha nem rendeltetésszerűen használják. Ne irányítsa a vízsugarat emberre, feszültség alatt álló villamos berendezésre vagy magára a termékre.
- A robbanásveszély elkerüléséhez ne szórjon gyúlékony folyadékot.
- Ne irányítsa a sugarat önmagára vagy másokra ruházat vagy lábbeli tisztításához.
- A tömlők, szerelvények és csatlakozók fontosak a termék biztonságához. Csak a gyártó által ajánlott tömlőket, szerelvényeket és csatlakozókat használja.
- Egyes régiókban olyan előírások érvényesek, amelyek korlátozzák a





termék használatát. További információért forduljon a helyi önkormányzathoz.

- Minden használat előtt ellenőrizze a sérülésmentességet. A sérült tömlőket azonnal le kell cserélni. Gondoskodjon minden csatlakozás (pl. szűrőszár és fűvóka) biztonságos állapotáról. A tömlőt úgy tekerje le, hogy ne csavarodjon meg és ne képezzen hurkot.
- A tisztítás megkezdése előtt zárja be az ajtókat és ablakokat. Takarítsa le a tisztítandó területről a szemetet, játékokat, szabadtéri bútort és más tárgyakat, amelyek elrepülve veszélyforrássá válhatnak.
- Ne használja a terméket 0 °C alatti hőmérsékleten.
- Ne használjon a termékben savat, lúgot, oldószert, gyúlékony anyagot, hipót vagy ipari oldatokat. Ezek károsíthatják a kezelő egészségét és tönkreteszhetik a terméket.

#### **▲ FIGYELMEZTETÉS**

A nagynyomású sugár veszélyes lehet, ha nem előírászerűen használják. Tilos emberre, állatra, villamos berendezésre vagy magára a termékre irányítani.

- Két kézzel, szilárdan tartsa a kart. A kioldóbillentyű meghúzásakor a kar visszaruğ – számíton erre. Ha ezt elmulasztja, elvesztheti a termék feletti uralmát, megsérülhet és másokat is veszélybe sodorhat.
- Vigyázzon, nehogy megcsússzon és elessen.
- Stabilan álljon és vegyen fel megfelelő egyensúlyt. Ne hajoljon ki túlságosan. A túlzott kihajlás egyensúlyvesztést eredményezhet.
- Soha ne hagyja a terméket felügyelet nélkül, ha csatlakozik az akkumulátorhoz. Kapcsolja ki a terméket, és csak akkor hagyja ott, ha teljesen leállt. A bekapcsolt terméket gyermekek által nem elérhető helyen tartsa.
- Ismerje meg a kezelőszerveket. Tanulja meg, hogyan kell a terméket leállítani és gyorsan nyomásmentesíteni.
- Legyen éber és gyakorolja az irányítást. Figyeljen arra, amit csinál, és használja az összes érzékszervét.

- Ne használja a terméket, ha fáradt, beteg vagy drog, alkohol illetve gyógyszer hatása alatt van. A termékek használata közben már egyetlen figyelmetlen pillanat is súlyos személyi sérüléshez vezethet.
- Ne használja a terméket, ha a kapcsoló nem kapcsolja be vagy ki a terméket. A kapcsolóval nem vezérelhető termék veszélyes, ezért azt meg kell javítani.
- Tisztítandó járművektől tartson legalább 30 cm távolságot. A nagynyomású sugár megsértheti vagy átlukaszthatja járművek gumiabroncsát és szelepeit.
- Ne használja a terméket, ha leejtették, ha látható sérülések vannak rajta vagy szivárog.

#### **AZ AKKUMULÁTORCSOMAGGAL KAPCSOLATOS MUNKAVÉDELMI FIGYELMEZTETÉSEK**

- Csak a gyártó által megadott töltőt használja az akkucsomag feltöltéséhez. Egy adott akkumulátortípushoz való töltő egy másik típusú akkumulátorral való használata tűzveszélyes lehet.
- Az akkumulátort használaton kívül tartsa távol más fém tárgyaktól, úgymint gemkapcsoktól, érméktől, kulcsoktól, szögektől, csavaroktól vagy más kisméretű fém tárgyaktól, amelyek rövidre zárhatják a két érintkezőt. Az akkumulátor érintkezőinek rövidre zárása tüzet vagy égéseket okozhat.
- Tartsa távol az akkumulátorcsomagot és a töltőt folyadékoktól és nedves helyektől.
- Csak a jelen gépkönyvben előírt akkumulátorcsomagokkal használja a terméket. Más akkumulátorok használata tűzveszélyes lehet, és sérüléseket okozhat.
- Nem megfelelő körülmények esetén folyadék távozhat az akkumulátorból, kerülje az azzal való érintkezést. Ha mégis érintkezik vele, öblítse le vízzel. Ha a folyadék szembe kerül, azonnal forduljon orvoshoz. Az akkumulátorból kifolyt folyadék irritációt vagy égéseket okozhat.
- Az akkumulátorban túlmelegedés elleni védelem van. Az akkumulátor túl magas hőmérséklete a szerszám leállítását okozza. Érintse meg az akkumulátort; amennyiben túl meleg, a munka folytatása előtt hagyja lehűlni. Ha a készülék továbbra sem működik, töltsé fel az akkumulátort.

EN
FR
DE
ES
IT
NL
PT
DA
SV
FI
NO
RU
PL
CS
<b>HU</b>
RO
LV
LT
ET
HR
SL
SK
BG
UK
TR



**MEGJEGYZÉS:** Az akkumulátor töltésjelző LED-je nem fog világítani, ha az akkumulátor-védelmi funkció az akkumulátoros tápellátás leállítását okozta a szerszámban. Engedje fel a bekapcsoló gombot vagy vegye ki az akkumulátort a termékből, és az akkumulátor-visszajelző LED ismét normálisan fog működni.

#### **▲ FIGYELMEZTETÉS**

Ne fröcskölje le a terméket vízzel. Tönkretelheti az akkumulátort.

#### **▲ FIGYELMEZTETÉS**

A rövidzárlat általi tűz, sérülések vagy termékkárosodások veszélye elkerülésére ne merítse a szerszámot, a cserélhető akkut vagy a töltőkészüléket folyadékokba, és gondoskodjon arról, hogy ne hatoljanak folyadékok a készülékekbe és az akkukba. A korrozív hatású vagy vezetőképes folyadékok, mint pl. a sós víz, bizonyos vegyi anyagok, fehérítők vagy fehérítő tartalmú termékek, rövidzárlatot okozhatnak.

#### **FENNMARADÓ KOCKÁZAT**

Még a termék rendeltetésszerű használata esetén sem lehet teljesen kiküszöbölni minden kockázati tényezőt. A gép használata során a következő veszélyek merülhetnek fel, és a kezelőnek különösen oda kell figyelnie az alábbiak elkerülésére:

- A vibráció sérüléseket okozhat
  - A terméket az arra szolgáló fogantyúknál tartsa, és korlátozza a munkaidőt és a vibrációnak való kitettséget.
- Repülő törmelék okozta sérülés.
  - Mindig viseljen szemvédőt.
- Zaj okozta sérülések
  - Viseljen hallásvédőt és korlátozza a zajnak való kitettséget

#### **KOCKÁZATCSÖKKENTÉS**

Arról számoltak be, hogy a kéziszerszámok használata során fellépő vibráció bizonyos személyeknél hozzájárulhat az úgynevezett Raynaud-szindróma (Raynaud's Syndrome) nevű állapot kialakulásához. A tünetei lehetnek: az ujjak zsibbadása, elfehéredése, szúrások érzése, amelyek hidegnek kitéve gyakran felerősödnek. Az öröklődő tényezők,

a hidegnek kitettség és verejtékezés, a diéta, a dohányzás és munka közben alkalmazott fogások valószínűleg mind hozzájárulhatnak ezen tünetek megjelenéséhez. A vibráció hatásainak csökkentése érdekében a kezelőnek be kell tartani az alábbi óvintézkedéseket:

- Hideg időben tartsa melegen a testét. A termék használatakor viseljen kesztyűt a kéz és a csukló melegen tartásához. Arról számoltak be, hogy a hideg időjárásnak fontos szerepe van a Raynaud-szindróma kialakulásában.
- Bizonyos időtartamú használat után mindig végezzen gyakorlatokat a vérkeringés javításához.
- Gyakran tartson munkaszünetet. Korlátozza a napi munkaidőt.

Ha ezen állapot bármelyik tünetét tapasztalja, azonnal hagyja abba a munkát, és tájékoztassa az orvosát a tünetekről.

#### **▲ FIGYELMEZTETÉS**

Hosszabb használat sérülést okozhat. Ha a gépet hosszú időn át kell használnia, tartson gyakran szünetet.

#### **SZÁLLÍTÁS ÉS TÁROLÁS**

- Állítsa le a terméket, vegye ki az akkumulátorcsomagját és hagyja lehűlni. Tárolás vagy szállítás előtt válassza le a terméket a vízellátásról.
- A termék tárolása előtt ürítse le a vizet minden tömlőből és a szivattyúból, és ürítse le a mosószertartályt is.
- Gondosan tekerje fel a szívótömlőt és tartsa a magasnyomású mosó mellett.
- Minden idegen anyagtól tisztítsa meg a terméket. Tárolja a terméket hűvös, fagymentes, száraz, jól szellőző, gyermekektől elzárt helyen. Ne tárolja a terméket kályha vagy más hőforrás közelében, mert kiszáradja a szivattyú tömitéseit. A terméket tartsa távol a korrodáló szerektől, például kerti vegyszerektől vagy a jégmentesítő sótól. Ne tárolja a terméket kültéren.
- Szállításkor rögzítse a terméket elmozdulás és leesés ellen, hogy elkerülje a sérüléseket és a termék sérülését.



### ▲ FIGYELMEZTETÉS

A terméket kizárólag beltéren tárolja. A terméket károsítja, ha 0° alatti hőmérsékleten tárolja.

## LÍTIUM AKKUMULÁTOROK SZÁLLÍTÁSA

Az akkumulátorokat a helyi és nemzeti előírásokkal és szabályokkal összhangban szállítsa.

Az akkumulátorok külső fél általi szállításakor kövesse a csomagolásra és a címkézésre vonatkozó speciális előírásokat. Ügyeljen arra, hogy az akkumulátorok ne érhessenek más akkumulátorokhoz vagy vezető anyagokhoz szállítás közben; ehhez a szabadon maradt csatlakozókat védje szigetelő fedéllel vagy szalaggal. Ne szállítson repedt vagy szivárgó akkumulátorokat. További információért vegye fel a kapcsolatot a továbbítást végző céggel.

## KARBANTARTÁS

### ▲ FIGYELMEZTETÉS

Csak a gyártó eredeti cserealkatrészeit, tartozékait és szerelékeit használja. Ennek figyelmen kívül hagyása gyenge motorteljesítményt, esetleges sérülést és a jótállás elvesztését okozhatja.

### ▲ FIGYELMEZTETÉS

szervizelés különös figyelmet és hozzáértést igényel, és csak szakképzett szerelő végezheti el. A terméket csak engedéllyel rendelkező szervizben javíttassa. Szervizeléskor csak eredeti, gyártó által előállított cserealkatrészeket használjon.

- Állítsa le a terméket, vegye ki akkumulátorcsomagját és hagyja lehűlni. Válassza le a terméket a vízellátásról a következő beavatkozások előtt:
  - a termék tisztítása
  - a termék karbantartása
  - pótalkatrészek cseréje
- Ön csak a használati útmutatóban leírt beállításokat és javításokat végezheti el. További javításokért vagy tanácsért kérjen segítséget egy hivatalos szervizközpontban.

- Rendszeresen vizsgálja át és tartsa karban a terméket, hogy biztonságosan működjön. Győződjön meg arról, hogy az akkumulátorrekesz megfelelően illeszkedik, szorosan rögzül, és rendszeresen ellenőrizze, hogy nem sérült-e. A sérült alkatrészeket egy hivatalos szervizközpontban kell megjavíttatni vagy kicseréltetni.

## ISMERJE MEG A TERMÉKET

Lásd 131. oldal.

1. Három funkció fűvóka
2. Kioldógomb
3. Lándzsa
4. Zárógomb
5. Retesz
6. Akkumulátorrekesz
7. Fogantyú markolata
8. Kapcsolókioldó
9. Vízbemenet
10. Úszó
11. Szűrő
12. Szívótolmlő
13. Gyorscsatlakozó

## SZIMBÓLUMOK A TERMÉKEN



Figyelem

A sérülések kockázatának csökkentése érdekében a felhasználónak a termék használata előtt el kell olvasnia és meg kell értenie a kezelői kézikönyv tartalmát.



Viseljen szem- és fülvédőt.



A nagynyomású vízszugár könnyen a testbe hatolhat, ha emberre vagy állatra irányítja.



Visszarúgás. Használat közben erősen, két kézzel fogja az indítógombot a visszarúgás miatti sérülésveszély csökkentéséhez.



A termék visszafolyásgátló nélkül nem csatlakoztatható a vízhálózatra.





Ne irányítsa a permetezőszárat emberre, állatra, a gép testére, áramforrásra vagy elektromos készülékre.



Robbanásveszély



Ez a szerszám minden, a vásárlás európai uniós országában hatályos szabványnak megfelel.



Eurázsiai megfelelési jelzés



Ukrainai megfelelési nyilatkozat



A kiselejtezett elektromos termékeket nem szabad a háztartási hulladékkal együtt kidobni. Ezeket újra kell hasznosítani, ha van rá lehetőség. Az újrahasznosítással kapcsolatban érdeklődjön a helyi önkormányzatnál vagy a termék forgalmazójánál.

## A KÉZIKÖNYVBEN HASZNÁLT SZIMBÓLUMOK



Külön értékesített alkatrészek és kiegészítők



Megjegyzés



Figyelem

A következő jelölőszavak és jelentések arra szolgálnak, hogy megmagyarázzák a termékkel kapcsolatos veszélyességi szinteket.

### **⚠ VESZÉLY**

Egy bekövetkező veszélyes helyzetet jelez, ami, ha nem előzik meg, halált vagy komoly sérülést eredményez.

### **⚠ FIGYELMEZTETÉS**

Egy potenciálisan bekövetkező veszélyes helyzetet jelez, amit, ha nem előznek meg, halált vagy komoly sérülést eredményezhet.

### **⚠ FIGYELEMFELHÍVÁS**

Egy potenciálisan veszélyes helyzetet jelez, ami, ha nem előzik meg, kisebb vagy mérsékelt sérülést eredményezhet.

### **FIGYELEMFELHÍVÁS**

Biztonsági figyelmeztető szimbólum nélkül  
Egy olyan helyzetet jelez, ami anyagi kárt eredményezhet.



Siguranța, performanța și fiabilitatea au constituit principalele noastre preocupări la proiectarea dispozitivului dvs. de spălat fără fir.

### UTILIZARE PREVĂZUTĂ

Dispozitivul electric de spălare, fără fir este destinat exclusiv pentru utilizare în exterior.

Produsul este proiectat pentru uz casnic și domestic. Este conceput pentru curățarea mobilierului de terasă, a ferestrelor, automobilelor și ambarcațiunilor, prin îndepărtarea murdăriei greu de îndepărtat, utilizând apă curată, fără detergent.

Produsul se va utiliza în mediu bine iluminat. Nu folosiți în alte scopuri.

### ⚠️ AVERTISMENT

Produsul este proiectat pentru utilizarea cu un agent de curățire neutru, furnizat sau recomandat de fabricant. Utilizarea altor tipuri de agenți de curățare sau a altor substanțe chimice poate afecta siguranța echipamentului.

### AVERTISMENTE GENERALE PRIVIND SIGURANȚA

#### ⚠️ AVERTISMENT

**Citiți toate avertismentele și instrucțiunile de siguranță.** Nerespectarea acestor avertismente și instrucțiuni poate conduce la șocuri electrice, incendii și/sau accidente grave.

#### ⚠️ ATENȚIE

Produsul nu trebuie conectat la sursa de alimentare cu apă potabilă fără a avea montată pe circuit o supapă antiretur conform standardului EN 12729 Tip BA. Apa care circulă prin prevenitorul de retur nu este considerată potabilă. Este interzis a se conecta produsul la alimentarea cu apă.

- Produsul nu este destinat utilizării de către copii sau persoane cu deficiențe fizice, senzoriale sau mentale, sau fără experiență și cunoștințe. Copiii trebuie să fie supravegheați adecvat pentru a vă asigura că nu se joacă cu produsul.

- Purtați echipament personal de protecție la utilizarea echipamentului, precum ochelari și protecții pentru urechi.
- Pentru a reduce riscul de rănire, nu permiteți apropierea copiilor și a altor persoane. Toate persoanele din zonă trebuie să poarte ochelari de protecție și să mențină o distanță de siguranță față de zona de lucru.
- Verificați starea dispozitivelor de siguranță, asigurându-vă că sunt în bună stare de funcționare. Asigurați-vă că toate dispozitivele de siguranță funcționează corect înainte de fiecare utilizare:
  - Mâner
    - Mânerul are o suprafață pentru prins cu mâna, care oferă un control sporit al tije de pulverizare și vă ajută să reduceți oboseala.
  - Butonul de blocare
    - Butonul de blocare blochează comutatorul de oprire/pornire și previne deschiderea neintenționată a jetului de înaltă presiune.
- Nu utilizați echipamentul dacă sunt deteriorate componente importante, cum ar fi dispozitivele de siguranță sau tija de pulverizare.

### ⚠️ AVERTISMENT

În timpul utilizării dispozitivelor electrice pentru spălat, se pot forma aerosoli. Inhalarea acestora poate provoca decesul.

### ⚠️ AVERTISMENT

Nu rotiți duza în timp ce activați trăgaciul. Dacă curge apă în timp ce se rotește duza, canalul de scurgere va lăsa apa să iasă. Aceasta nu este o scurgere, dar va permite apei să iasă fără să se deterioreze unealta.

- Jetul de înaltă presiune este periculos. Nu direcționați jetul spre persoane, echipamente electrice sau direct către echipament.
- Pentru a evita riscul de explozie, nu pulverizați lichide inflamabile.
- Nu îndreptați jetul spre dvs. sau spre alte persoane în scopul curățării hainelor sau încălțămintei.
- Pentru siguranța echipamentului este important să se utilizeze furtunuri, conectori

și fitinguri. Utilizați doar furtunuri, fitinguri și conectori recomandați de producător.

- Anumite regiuni au reglementări ce restricționează folosirea produsului. Pentru sfaturi întrebați autoritățile dvs. locale.
- Înainte de fiecare utilizare verificați starea componentelor. Furtunurile deteriorate trebuie înlocuite imediat. Asigurați-vă că toate îmbinările, cum ar fi cele de la tija de pulverizare și duză, sunt bine fixate. Desfășurați adecvat furtunul, astfel încât să nu fie îndoit sau sugrumat.
- Înainte de începerea unei operații de curățare, închideți ușile și ferestrele. Eliberați zona de curățat de resturi, jucării, mobilier de exterior sau alte obiecte care pot crea pericole.
- Nu utilizați echipamentul la temperaturi sub 0°C.
- Nu introduceți în echipament acizi, baze, solvenți, substanțe inflamabile, produse pe bază de clor sau alte soluții industriale. Aceste echipamente pot provoca vătămări fizice operatorului și defectarea definitivă a echipamentului.

#### **▲ AVERTISMENT**

Jetul de înaltă presiune poate fi periculos în caz de utilizare neadecvată. Jetul nu trebuie direcționat către oameni, animale, dispozitive electrice sau spre echipament.

- Țineți mânerul pistolului ferm, cu ambele mâini. Așteptați-vă ca mânerul pistolului să aibă un recul la acționare, cauzat de forța jetului. Dacă nu sunteți pregătit pentru aceasta, puteți să pierdeți controlul și să vă răniți personal sau să răniți alte persoane din jur.
- Manevrați pistolul cu atenție, pentru a evita alunecarea sau căderea.
- Mențineți sprijin ferm pe picioare și echilibru. Nu vă aplecați excesiv. Aplecarea excesivă poate cauza pierderea echilibrului.
- Nu lăsați niciodată produsul nesupravegheat cât timp are conectat acumulatorul. Oprii echipamentul și plecați de lângă acesta doar când s-a oprit complet. Țineți produsul departe de accesul copiilor cât timp este sub tensiune.
- Familiarizați-vă cu comenzile. Trebuie să știți cum se oprește rapid echipamentul și

cum se descarcă presiunea din instalație.

- Fiți vigilenți și mențineți controlul. Fiți atenți la ceea ce faceți și folosiți-vă simțul practic.
- Nu utilizați produsul dacă sunteți obosit, bolnav sau sub influența drogurilor, alcoolului sau medicamentelor. Un moment de neatenție în timpul operării produsului poate rezulta în vătămare personală gravă.
- Nu folosiți produsul dacă întrerupătorul nu pornește sau oprește produsul. Un produs care nu poate fi controlat cu ajutorul întrerupătorului este periculos și trebuie reparat.
- Păstrați o distanță de minim 30 cm la curățarea autovehiculelor. Jetul de înaltă presiune poate deteriora sau rupe anvelopele sau ventilele autovehiculului.
- A nu se utiliza produsul dacă acesta a fost lovit, dacă are semne vizibile de avariere sau dacă prezintă scurgeri.

#### **AVERTISMENTE DE SIGURANȚĂ PRIVIND ACUMULATORUL**

- Încărcați acumulatorul doar cu încărcătorul specificat de producător. Un încărcător destinat unui anumit tip de acumulator este folosit la încărcarea altor acumulatori există pericolul de incendii.
- Atunci când acumulatorul nu este în uz, păstrați-l departe de alte obiecte metalice, cum ar fi agrafe de birou, monede, chei, cuie, șuruburi sau alte obiecte metalice mici, care pot face o conexiune de la o bornă la alta. Scurtcircuitarea bornelor bateriei poate provoca arsuri sau incendiu.
- Acumulatorul și încărcătorul acestuia nu trebuie păstrate în condiții de umiditate.
- Utilizați echipamentul doar cu acumulatorul specificat în acest manual. Utilizarea oricărui altă acumulatori poate crea un risc de vătămare și de incendiu.
- Ca urmare a folosirii necorespunzătoare, din acumulator se poate scurge lichid; evitați contactul cu acesta. În cazul unui contact accidental, spălați cu apă. În cazul contactului lichidului cu ochii, consultați un medic. Lichidul care iese din acumulator poate provoca iritații sau arsuri.
- Acumulatorul are protecție împotriva supraîncălzirii. Temperaturile excesive vor conduce la oprirea alimentării unelei de la acumulator. Verificați bateria. Dacă este

prea caldă, permiteți-i să se răcească înainte de operare. Dacă unealta nu funcționează în continuare, încărcați acumulatorul.

**NOTĂ:** Indicatorul LED al acumulatorului nu va funcționa dacă funcția de protecția a acumulatorului a condus la oprirea alimentării unelei de la acumulator. Decuplați butonul de pornire/oprire sau scoateți bateria din produs, iar LED-ul indicator privind bateria va reveni la funcționare normală.

#### **▲ AVERTISMENT**

Nu aruncați apă pe produs. Riscați să deteriorați acumulatorul.

#### **▲ AVERTISMENT**

Pentru a reduce pericolul unui incendiu și evitarea rănilor sau deteriorarea produsului în urma unui scurtcircuit nu imersați scula, acumulatorul de schimb sau încărcătorul în lichide și asigurați-vă să nu pătrundă lichide în aparate și acumulatori. Lichidele corosive sau cu conductibilitate, precum apa sărată, anumite substanțe chimice și înalbitori sau produse ce conțin înalbitori, pot provoca un scurtcircuit.

#### **RISCURI REZIDUALE**

Chiar dacă produsul este folosit așa cum a fost prescris, este totuși imposibil să se elimine complet anumiți factori de risc reziduali. Următoarele pericole pot apărea în timpul folosirii și operatorul trebuie să acorde o atenție specială pentru a evita următoarele:

- Vătămare cauzată de vibrație
  - Țineți produsul de mânerul proiectat și restricționați timpul și expunerea de lucru.
- Răniri cauzate de resturile rezultate în urma tăierii.
  - Purtați întotdeauna protecție pentru ochi.
- Vătămare cauzată de zgomot.
  - Purtați protecție pentru auz și limitați expunerea.

#### **REDUCEREA RISCULUI**

S-a raportat faptul că vibrațiile produse de uneltele manuale pot contribui, la anumite persoane, la o afecțiune denumită Sindromul Raynaud. Simptomele pot include furnicături, amorțeală și albirea degetelor, care apare, de

obicei, după expunerea la frig. Factori ereditari, expunerea la frig și umiditate, dieta, fumatul și practicile de muncă contribuie la dezvoltarea acestor simptome. Există măsurători care pot fi efectuate de către operator pentru a reduce efectele de vibrațiilor:

- Păstrați-vă temperatura corporală ridicată pe vreme rece. Când operați produsul purtați mănuși pentru a menține calde mâinile și încheieturile. S-a constatat că vremea rece este un factor major care contribuie la sindromul Raynaud.
- După fiecare perioadă de operare, trebuie făcute exerciții pentru a crește circulația sângelui.
- Trebuie făcute pauze la intervale de timp regulate. Limitați expunerea zilnică.

Dacă sunt experimentate oricare dintre simptomele acestei afecțiuni, trebuie întreruptă utilizarea și consultat un medic.

#### **▲ AVERTISMENT**

Pot fi cauzate sau agravate vătămarile de la folosirea prelungită a aparatului. Atunci când folosiți o sculă pentru perioade prelungite, asigurați-vă că luați pauze regulate.

#### **TRANSPORTAREA ȘI DEPOZITAREA**

- Opriți echipamentul, îndepărtați acumulatorul și lăsați echipamentul să se răcească. Deconectați echipamentul de la sursa de alimentare cu apă înainte de depozitare sau transport.
- Scoateți apa din furtunuri și pompă și goliți rezervorul de detergent înainte de depozitarea echipamentului.
- Curățați și strângeți colac furtunul de sifonare și depozitați-l împreună cu dispozitivul de spălare.
- Curățați toate materialele străine din produs. Depozitați echipamentul într-o locație rece, ferită de îngheț, uscată și bine ventilată, inaccesibilă copiilor. A nu se depozita produsul în apropierea unui cuptor sau a altor surse de căldură care ar putea duce la uscarea garniturilor de etanșare a pompei. Păstrați produsul la distanță de agenți corozivi, precum substanțe chimice de grădinar și săruri de dezghețare. Nu depozitați produsul în aer liber.

EN
FR
DE
ES
IT
NL
PT
DA
SV
FI
NO
RU
PL
CS
HU
<b>RO</b>
LV
LT
ET
HR
SL
SK
BG
UK
TR

- Pentru transportare, fixați produsul împotriva mișcării sau căderii pentru a preveni vătămarea persoanelor sau deteriorarea produsului.

#### ▲ AVERTISMENT

Depozitați produsul doar în interior. Depozitarea într-o zonă cu temperatură negativă va determina defectarea produsului.

### TRANSPORTAREA BATERIILOR DE LITIU.

Transportați bateriile în conformitate cu prevederile și reglementările locale și naționale.

Urmați toate cerințele speciale privind împachetarea și etichetarea atunci când transportați baterii către un terț. Asigurați-vă că nicio baterie nu poate să intre în contact cu alte baterii sau materiale conductive în timpul transportului prin protejarea conectorilor expuși cu bandă, capace izolatoare neconductive. Nu transportați bateriile ce sunt crăpate sau care au scurgeri. Verificați cu firma transportatoare pentru recomandări ulterioare.

### ÎNȚREȚINERE

#### ▲ AVERTISMENT

Folosiți doar piese de schimb, accesorii și atasamente originale ale producătorului. Neurmarea acestora poate cauza posibilă vătămare, slabă funcționare și ar putea anula garanția.

#### ▲ AVERTISMENT

Service-ul necesită atenție și cunoștințe deosebite și trebuie îndeplinit doar de către un tehnician service calificat. Duceți produsul la reparații numai într-un centru service autorizat. La efectuarea serviciului, folosiți doar piese de schimb originale ale producătorului.

- Opriti echipamentul, îndepărtați acumulatorul și lăsați echipamentul să se răcească. Deconectați echipamentul de la sursa de alimentare cu apă înainte de:
  - curățarea produsului
  - efectuarea de lucrări de întreținere a echipamentului
  - înlocuirea pieselor

- Puteți face doar reglajele sau reparațiile descrise în acest manual. Pentru alte reparații sau sfaturi, căutați asistență din partea unui centru service autorizat.

- Verificați și întrețineți regulat produsul pentru a asigura o funcționare sigură. Asigurați-vă că lăcașul acumulatorului este corect asamblat, bine închis și verificați-l des să nu prezinte defecțiuni. Orice piesă deteriorată trebuie să fie reparată în mod corespunzător sau înlocuită de un service autorizat.

### CUNOAȘTEȚI-VĂ PRODUSUL

Vezi pagina 131.

1. Duză 3-în-1
2. Buton pornire
3. Vergea de stropit
4. Butonul de blocare
5. Element de blocare
6. Compartiment acumulator
7. Mâner
8. Trăgaci declanșator
9. Racord de intrare apă
10. Flotor
11. Filtru
12. Furtun sifon
13. Conector rapid

### SIMBOLURILE DE PE PRODUS.



Avertisment

Pentru a reduce riscul vătămării, utilizatorul trebuie să citească și să înțeleagă manualul de utilizare înainte să utilizeze acest produs.



Purtați protecție pentru ochi și urechi.



Pentru a reduce riscul de rănire provocată de jetul de înaltă presiune, nu îndreptați jetul spre oameni sau animale.



Retur. Pentru a reduce riscul de recul, țineți ferm cu ambele mâini de mânerul declanșator, în timpul funcționării echipamentului.



Produsul nu este destinat conectării la rețeaua de alimentare cu apă potabilă fără un dispozitiv de prevenire a scurgerii apei din produs înapoi în rețeaua de alimentare.



Nu îndreptați niciodată tija pulverizatorului către oameni, animale, carcasa echipamentului, sursa de alimentare cu energie electrică sau aparate electrice.



Pericol de rănire cu jet de înaltă presiune



Acest aparat este conform cu ansamblul normelor reglementare din țara din UE în care a fost cumpărat.



Marcaj de conformitate EurAsian



Semn de conformitate ucrainean



Deșeurile produselor electrice nu trebuie să fie înlăturate împreună cu deșeurile casnice. Vă rugăm să reciclați acolo unde există facilități. Verificați la autoritatea dvs locală sau la vânzător pentru sfaturi privind reciclarea.

## SIMBOLURI DIN ACEST MANUAL



Piese sau accesorii vândute separat



Notă



Avertisment

Următoarele cuvinte simbol și înțelesul lor au intenția de a explica nivelele de risc asociate cu acest produs.

### ⚠ PERICOL

Indică o situație periculoasă iminentă, care dacă nu este evitată va cauza decesul sau vătămarea gravă.

### ⚠ AVERTISMENT

Indică o situație periculoasă iminentă, care dacă nu este evitată poate rezulta în deces sau vătămare gravă.

### ⚠ ATENȚIE

Indică o situație potențial periculoasă, care dacă nu este evitată poate cauza vătămarea moderată sau ușoară.

### ATENȚIE

Fără a simbolul de alertă privind siguranța Indică o situație care poate duce la pagube materiale.

Radot jūsu augstspiediena mazgātāju, drošībai, veikspējai un uzticamībai ir pievērsta vislielākā vērība.

### PAREDZĒTAIS LIETOJUMS

Akumulatoru augstspiediena mazgātājs ir paredzēts lietošanai tikai ārpus telpām.

Šī ierīce ir paredzēta lietošanai mājas apstākļos. Tas paredzēts dārza mēbeļu, logu, automašīnu un laivu mazgāšanai, piekaltušu neīrūmu noņemšanai, izmantojot tīru ūdeni ar vai bez mazgāšanas līdzekļa piedevu.

Produktu jāizmanto vietā ar labu apgaismojumu.

Nelietojiet citiem mērķiem.

### ▲ BRĪDINĀJUMS

Izstrādājums ir paredzēts izmantošana ar neitrālu tīrīšanas līdzekli, kuru piegādā vai iesaka ražotājs. Citu tīrīšanas līdzekļu vai ķīmikāliju izmantošana var negatīvi ietekmēt izstrādājuma drošību.

### VISPĀRĪGIE DROŠĪBAS BRĪDINĀJUMI

### ▲ BRĪDINĀJUMS

**Izlasiet visus drošības brīdinājumus un norādījumus.** Brīdinājumu un norādījumu neizpildīšana var izraisīt elektrisko triecienu, aizdegšanos un/vai smagu ievainojumu.

### ▲ UZMANĪBU

Izstrādājumu nedrīkst izmantot, pieslēdzot to dzeramā ūdens padevei, neuzstādot atpakaļplūsmas ierobežotāju, kas atbilst EN 12729 tipam BA. Ūdens, kas plūst cauri atpakaļplūsmas vārstam nav uzskatāms par dzeramu. Produktu nav atļauts pievienot ūdens padevei.

- Izstrādājums nav paredzēs lietošanai bērniem vai personām ar ierobežotām fiziskajām, sensorajām vai mentālajām spējām, vai ar pieredzes un zināšanu trūkumu. Nepieciešams pienācīgi uzmanīt bērnus, lai nodrošinātu, ka tie nespējējas ar ierīci.
- Lietojot produktu, valkājiet personīgo aizsargapģērbu kā drošības brilles un dzirdes aizsarglīdzekļus.

- Lai samazinātu ievainojumu risku, neļaujiet tuvoties bērniem un apkārtējiem. Visiem apkārtējiem jāvalkā aizsargbrilles un jāatrodas drošā attālumā no darba zonas.
- Pārbaudiet drošības ierīces, lai pārlielinātos, ka tās ir labā darba kārtībā. Pirms katras lietošanas pārlielinieties, ka visas drošības ierīces atbilstoši darbojas:
  - Roktura satveramā daļa
    - Roktura sveramajai daļai ir neslīdoša virsma, kas nodrošina papildu sprauslas pistoles vadību un palīdz samazināt nogurumu.
  - Bloķēšanas poga
    - Bloķēšanas poga fiksē slēdža mēlīti un novērš nejaušu augstspiediena strūklu izsmidzināšanu.
- Neizmantojiet izstrādājumu, svarīgas daļas kā drošības ierīces vai smidzināšanas pistole, ir bojātas.

### ▲ BRĪDINĀJUMS

Augstspiediena mazgātāja izmantošanas laikā var veidoties aerosoli. Aerosolu ieelpošana var būt bīstama veselībai.

### ▲ BRĪDINĀJUMS

Negrieziet sprauslu, kamēr nospiesta slēdža mēlīte. Ja ūdens plūst, kamēr sprausla ir pagriezta, pārspiediena kanāls izlaidīs lieko ūdeni. Tā nav noplūde, bet ļauj ūdenim izplūst no iekārtas, lai to nebojātu.

- Nepareizi lietojot, augstspiediena strūklu ir bīstama. Nevērsiet strūklu pret cilvēkiem, elektrisko aprīkojumu zem sprieguma vai pašu izstrādājumu.
- Lai izvairītos no sprādziena riska, neizsmidziniet uzliesmojošus šķidrumus.
- Nevērsiet strūklu pret sevi vai citiem, lai nomazgātu apģērbus vai apavus.
- Šļūtenes, uzgaļi un savienojumi ir būtiski izstrādājuma drošībai. Izmantojiet tikai šļūtenes, uzgaļus un savienojumus, kurus izmantošanai iesaka ražotājs.
- Dažos reģionos pastāv noteikumi, kas ierobežo preces lietošanu. Vērsieties pie atbildīgajām amatpersonām pēc padoma.
- Pirms katras lietošanas pārbaudiet, vai nav bojājumu. Bojātas šļūtenes ir nekavējoties jānomaina. Nodrošiniet, ka visi savienojumi

kā augstspiediena šļūtene ar pistoli un uzgali, ir droši. Pareizi attīniet šļūteni, lai tā nevarētu savērtties vai aizliekties.

- Pirms jebkādas mazgāšanas darbības aizveriet durvis un logus. Atbrīvojiet mazgājamo zonu no drāzām, rotallietām, dārza mēbelēm vai citiem priekšmetiem, kas var radīt bīstamību.
- Neizmantojiet izstrādājumu temperatūrās, kas zemākas par 0°C.
- Neizmantojiet izstrādājumā skābes, sārmus, šķīdinātājus, uzliesmojošus materiālus, balinātājus vai industriālos šķīdumus. Šie izstrādājumi var radīt fiziskus ievainojumus lietotājam un neatgriezeniski sabojāt mazgātāju.

### **⚠ BRĪDINĀJUMS**

Augstspiediena strūkļa var būt bīstama, ja tiek izmantota nepareizi. Strūkļu nedrīkst vērst pret cilvēkiem, dzīvniekiem, elektriskām ierīcēm vai pašu mazgātāju.

- Stingri turiet pistoles mēlītes rokturi ar abām rokām. Sagaidiet, ka pistoles mēlītes rokturis pēc pistoles mēlītes nospiešanas, reaktīvo spēku ietekmē kustēsies. Šo apstākļu neievērošana var izraisīt kontroles zaudēšanu un ievainojumus jums un citiem.
- Ievērojiet piesardzību, lai izvairītos no paslīdēšanas vai krišanas.
- Visada tvirtai stovēkite ir išlaikykite pusiausvyrā. Neipersitempkite. Persitempe galite prarasti pusiausvyrā.
- Nekad neatstājiet produktu bez uzraudzības, ja tam pievienots akumulatoru komplekts. Izslēdziet produktu un ejiet prom no tā tikai, kad tas pilnīgi apstājies. Ieslēgtā stāvoklī nelaujiet rīkoties ar produktu bērniem.
- Iepazīstieties ar vadības ierīcēm. Ziniet, kā ātri apturēt izstrādājumu un nolaist spiedienu.
- Saglabājiet modrību un kontroli. Vērojiet savu darbu un rīkojieties saskaņā ar veselo saprātu.
- Neizmantojiet produktu, ja esat noguris, slims vai narkotiku, alkohola vai medikamentu ietekmē. Neuzmanīga rīcība, darbojoties ar ierīci var radīt smagu personisku traumu.

- Neizmantojiet ražojumu, ja slēdzis neieslēdz vai neizslēdz ražojumu. Ražojums, kuru nevar kontrolēt ar slēdzi, ir bīstams un ir jānodod remontā.
- Mazgājot transportlīdzekļus, ieturiet minimālo attālumu 30 cm. Augstspiediena strūkļa var sabojāt vai likt pārsprāgt transportlīdzekļa riepiņus un/vai riepu ventilus.
- Produktu nedrīkst lietot, ja tas ir nomests, tam ir redzamas bojājumu pazīmes vai noplūdes.

### **AKUMULATORU BLOKA DROŠĪBAS BRĪDINĀJUMI**

- Veiciet akumulatora bloka uzlādēšanu tikai ar ražotāja noteikto lādētāju. Lādētājs, kas paredzēts lietošanai ar viena veida akumulatoru, var būt ugunsnedrošs, ja to izmanto ar citu akumulatoru.
  - Kad nelietojat akumulatoru, neturiet to citu metāla priekšmetu tuvumā, piemēram: papīra saspaušanas, monētas, atslēgas, naglas, skrūves vai citi sīki metāla priekšmeti, kas var veidot savienojumu starp spailēm. Akumulatora spaiļu īsslēgums var radīt aizdegšanos vai ugunsgrēku.
  - Uzglabājiet akumulatoru bloku un lādētāju atstatu no mitruma un ūdens.
  - Izmantojiet izstrādājumu tikai ar akumulatoru blokiem, kas norādīti šajā rokasgrāmatā. Jebkura cita akumulatora lietošana var radīt ievainojumu un ugunsgrēka risku.
  - Nepareizas rīcības gadījumā no akumulatora var izkļūt šķidrums; izvairieties no saskares ar to. Nejaušas saskares gadījumā skalojiet skarto vietu ar ūdeni. Ja šķidrums iekļūst acīs, nekavējoties meklējiet medicīnisko palīdzību. No akumulatora izkļušais šķidrums var izraisīt kairinājumu vai apdegumus.
  - Baterijas pakai ir pārkaršanas aizsardzība. Pārmērīgā temperatūrā akumulatora nenodrošinās instrumenta barošanu. Pataustiet akumulatoru bloku, ja tas ir pārāk silts, ļaujiet tam atdzist, pirms atsākt plaušanu. Ja instruments joprojām nedarbojas, uzlādējiet akumulatoru.
- PIEZĪME:** Akumulatora uzlādes indikatora gaismas diode nedarbosies, ja akumulatora aizsargfunkcija ir apturējusi instrumenta

barošanu. Atlaidiet ieslēgšanas-izslēgšanas pogu vai noņemiet akumulatoru bloku no izstrādājuma un akumulatoru bloka LED indikators atsāks normāli darboties.

#### **⚠ BRĪDINĀJUMS**

Nesmidziniet uz produkta ūdeni. Tas var bojāt akumulatoru bloku.

#### **⚠ BRĪDINĀJUMS**

Lai novērstu īssavienojuma izraisītu aizdegšanās, savainojumu vai produkta bojājuma risku, neiegremdējiet instrumentu, maināmo akumulatoru vai uzlādes ierīci šķidrums un rūpējieties par to, lai ierīces un akumulatoros neiekļūtu šķidrums. Koroziju izraisoši vai vadītspējīgi šķidrums, piemēram, sālsūdens, noteiktas ķīmikālijas, balinātāji vai produkti, kas satur balinātājus, var izraisīt īssavienojumu.

#### **OBJEKTĪVIE RISKI**

Pat ka prece ir lietotā kā noteikts, nav iespējams pilnībā novērst noteiktus riska faktorus. Turpmāk norādītie riski var rasties lietošanas laikā un operatoram īpaša uzmanība jāpievērš, lai izvairītos no turpmāk minētā:

- Vibrācijas radīts ievainojums
  - Turiet precī aiz paredzētajiem rokturiem un ierobežojiet darba laiku, un pakļaušanu.
- Lidojošu drazu radīti ievainojumi.
  - Vienmēr nēsājiet acu aizsardzību.
- Trokšņa radīti miesas bojājumi
  - Valkājiet ausu aizsargu un ierobežojiet saskarsmi.

#### **RISKA SAMAZINĀŠANA**

Ir ticis ziņots, ka vibrācijas no rokas instrumentiem atsevišķos cilvēkos var veicināt kaiti, ko sauc par Reino sindromu. Simptomi var ietvert pirkstu tinkšķēšanu, nejutīgumu un nobālēšanu, parasti aukstā laikā. Tiek uzskatīts, ka tradicionālie faktori, aukstums un mitrums, uzturs, smēķēšana un darba prakse sekmē šo simptomu attīstību. Operators var veikt pasākumus, lai iespējami samazinātu vibrācijas efektu:

- Aukstā laikā ķermenim jābūt siltam. Kad darbināt precī valkājiet cimdus, lai rokas un plaukstu locītavas būtu siltas. Ir pētījumi, ka auksts laiks ir galvenais faktors, kas veicina Reino sindromu.
- Ik pēc laika apturiet darbu un veiciet vingrinājumus, kas uzlabo asins cirkulāciju.
- Strādājot jābūt biežiem pārtraukumiem. Ierobežojiet iedarbības ilgumu dienā.

Ja jūs izjūtat kādu no šiem simptomiem, nekavējoties apturiet ierīces lietošanu un sazinieties ar ārstu par šiem simptomiem.

#### **⚠ BRĪDINĀJUMS**

Ilgstoša preces lietošana var radīt ievainojumus vai pasliktināt jau esošos. Ilgstoši lietojot jebkuru instrumentu, pārliecinieties, ka tiek veikti regulāri pārtraukumi.

#### **TRANSPORTĒŠANA UN UZGLABĀŠANA**

- Apturiet izstrādājumu, noņemiet akumulatoru bloku un ļaujiet izstrādājumam atdzist. Pirms novietošanas glabāšanai vai pārvadāšanas, atvienojiet izstrādājumu no ūdens padeves.
- Pirms novietošanas glabāšanai izlaidiet ūdeni no sūkņa un visām šļūtenēm, iztukšojiet mazgāšanas līdzekļa tvertni.
- Rūpīgi satiniet iesūkšanas cauruli un glabājiet to kopā ar augstspiediena mazgātāju.
- Notīriet visus svešķermeņus no izstrādājuma. Uzglabājiet vēsā, sausā un labi vēdināmā vietā, kura nav pakļauta sala iedarbībai un nav pieejama bērniem. Neglabājiet produktu krāsns vai citu karstuma avotu tuvumā, kas var izkaltēt sūkņa blīves. Sargiet izstrādājumu no korozīvām vielām, piemēram, dārzeņu ķīmikālijām un pretapledošanas sāls. Neglabājiet produktu ārpus telpām.
- Transportējot nostipriniet ierīci, lai tā nekustētos un neapgāztos, jo tas var izraisīt miesas bojājumus un ierīces bojājumus.

#### **⚠ BRĪDINĀJUMS**

Glabājiet izstrādājumu tikai iekštelpās. Glabājot izstrādājumu vietā, kur temperatūra ir zemāka par 0°, radīs bojājumus.



## LITĪJA BATERIJU TRANSPORTĒŠANA

Transportējiet baterijas saskaņā ar vietējiem un valsts noteikumiem un regulām.

Ievērojiet visas īpašās prasības saistībā ar iepakojšanu un marķēšanu, transportējot trešās puses baterijas. Nodrošiniet, ka baterijas transportā nevar nonākt saskarē ar citām baterijām vai vadītspējīgiem materiāliem, aizsargājot atklātos savienotājus ar nevadošiem izolācijas vāciņiem vai lentēm. Netransportējiet ieplaisājušas baterijas vai baterijas, kurām ir noplūde. Lūdziet padomu kravu pārvadāšanas uzņēmumam.

### APKOPE

#### ▲ BRĪDINĀJUMS

Lietojiet tikai oriģinālās ražotāja rezerves daļas, piederumus un uzgaļus. Pretējā gadījumā var tikt radīti ievainojumi un parādīts slikts sniegums, kā arī var tikt anulēta garantija.

#### ▲ BRĪDINĀJUMS

Aptarnavimā atlikti būtina itin atdžīai, todēl rekomēduojamē, kad tehniņē apžiūrā vykdytų kvalifikuotas specialistas. Veiciet apkalpošanu tikai pilnvarotā servisa centrā. Veicot apkopi, lietojiet tikai oriģinālās ražotāja rezerves daļas.

- Apturiet izstrādājumu, noņemiet akumulatoru bloku un ļaujiet izstrādājumam atdzist. Pirms novietošanas glabāšanai vai pārvadāšanas:
  - izstrādājuma tīrīšana
  - veikt izstrādājuma apkopi
  - veikt rezerves daļu nomaiņu
- Jūs varat veikt tikai šajā rokasgrāmatā aprakstīto regulēšanu un remontdarbus. Cita veida remontam vai konsultācijām, vērsieties pēc padoma autorizētā servisa centrā.
- Regulāri pārbaudiet un uzturiet produktu kārtībā, lai nodrošinātu drošu lietošanu. Nodrošiniet, ka akumulatoru nodalījums ir pareizi salikts, cieši noslēgts, regulāri pārbaudiet vai nav bojājumu. Jebkura bojāta detaļa jānodod remontam vai nomaināi pilnvarotā apkopes centrā.

## PAZĪSTIET SAVU IERĪCI

Skatīt 131. lappusi

1. 3-in-1 sprausla
2. Atbrīvošanas poga
3. Smidzināšanas stienis
4. Bloķēšanas poga
5. Fiksators
6. Akumulatoru nodalījums
7. Roktura satveramā daļa
8. Slēdža mēlīte
9. Ūdens ieplūde
10. Pludiņš
11. Filtrs
12. Sifona šļūtene
13. Ātrais savienojums

## UZ PRECES ESOŠIE SIMBOLI



Brīdinājums



Lai samazinātu ievainojumu risku, lietotājam ir jāizlasa un jāizprot operatora rokasgrāmatā pirms šī izstrādājuma lietošanas.



Valkājiet aizsargbrilles un dzirdes aizsargaprīkojumu.



Lai samazinātu ievainojumu risku no augstspiediena strūkļas, nevērsiet to pret cilvēkiem vai dzīvniekiem.



Atsitiens. Lai samazinātu atsitienu radītu ievainojumu risku, kad izstrādājums ir ieslēgts, stingri turiet pistoles mēlīti ar abām rokām.



Produkts nav piemērots pievienošanai dzeramā ūdens pavevei bez atpakaļplūsmas bloķēšanas vārsta.



Nekad nevērsiet izsmidzināšanas pistoli pret cilvēkiem, dzīvniekiem, iekārtas korpusu, elektrības kontaktiem vai jebkurām elektriskām ierīcēm.



Pārsprāgšanas briesmas

EN  
FR  
DE  
ES  
IT  
NL  
PT  
DA  
SV  
FI  
NO  
RU  
PL  
CS  
HU  
RO

LV  
LT  
ET  
HR  
SL  
SK  
BG  
UK  
TR



Darbarīks atbilst visām normām ES valstī, kurā tas ir iegādāts.



EurAsian atbilstības marķējums



Ukrainas apstiprinājuma zīme



Izlietotie elektroprodukti nedrīkst tikt izmesti kopā ar mājsaimniecības atkritumiem. Lūdzu, nododiet tos attiecīgajās atkār tolas izmantošanas vietās. Sazinieties ar savu vietējo varas pārstāvi vai izplatītāju, lai noskaidrotu, kur iespējama atkārtota pārstrāde.

## SIMBOLI ŠAJĀ ROKASGRĀMATĀ



Atsevišķi nopērkamās daļas vai piederumi



Piezīme



Brīdinājums

Lai izskaidrotu risku, kas saistīti ar izstrādājumu, līmeni, paredzēti šādi norādījuma vārdi un jēdzieni.

### **BĪSTAMI**

Norāda draudošo bīstamo situāciju, kas, ja no tās neizvairās, var novest pie nāves vai nopietnas traumas.

### **BRĪDINĀJUMS**

Norāda potenciālo bīstamo situāciju, kas, ja no tās neizvairās, var novest pie nāves vai nopietnas traumas.

### **UZMANĪBU**

Norāda potenciālo bīstamo situāciju, kas, ja no tās neizvairās, var novest pie nelielas vai vidējas traumas.

Gaminant šį akumuliatorinį aukšto slėgio plovimo įrenginį didžiausia svarba buvo teikiama jo saugai, efektyvumui ir patikimumui.

### NAUDOJIMO PASKIRTIS

Akumuliatorinis aukšto slėgio plovimo įrenginys skirtas naudoti tik lauke.

Gaminys skirtas namų savininkams arba buitiniam naudojimui. Jis skirtas kiemo baldams, langams, automobiliams ir valtims plauti, šalinant įsisenėjusius nešvarumus švari vandeniu su valymo priemone arba be jos.

Įrenginį privaloma naudoti gero apšvietimo sąlygomis.

Nenaudokite kitais tikslais.

### ▲ ĮSPĖJIMAS

Įrenginys skirtas naudoti su pateiktu neutraliu ar gamintojo rekomenduojamu valikliu. Naudojant kitokius valiklius ar chemines medžiagas gaminio saugai gali būti daromas nepalankus poveikis.

### BENDRIEJI SAUGOS ĮSPĖJIMAI

### ▲ ĮSPĖJIMAS

**Perskaitykite visus saugos įspėjimus ir visą instrukciją.** Įspėjimų ir instrukcijų nesilaikymas gali sukelti elektros smūgį, gaisrą ir (ar) rimtus sužeidimus.

### ▲ ATSARGIAI

Jeigu nesumontuotas standarto EN 12729 reikalavimus atitinkantis B šeimos A tipo atbulinio tekėjimo skyriklis, įrenginį naudoti tiekiant geriamąjį vandenį neleidžiama. Per atbulinio tekėjimo skyriklių tekantis vanduo nėra tinkamas gerti. Įrenginio negalima jungti prie vandentiekio sistemos.

- Vaikams ar asmenims, nesugebantiems saugiai naudotis šiuo įrenginiu dėl savo psichinio, jutiminio arba protinio neįgalumo arba patirties bei žinių trūkumo, šiuo įrenginiu naudotis neleidžiama. Vaikus reikia tinkamai prižiūrėti, kad jie nežaistų su krūmapjove.
- Eksploatuodami įrenginį naudokite visas asmeninės apsaugos priemones, t. y. apsauginius darbo akinius ir klausos apsaugos priemones.

- Pasirūpinkite, kad arti nebūtų vaikų ar pašalinių, kad būtų išvengta sužalojimų. Visi pašaliniai asmenys privalo nešioti apsauginius akinius ir būti saugiu atstumu nuo darbo vietos.
- Patikrinkite, ar tinkamai veikia saugos įtaisai. Kiekvieną kartą prieš imdamiesi naudoti įrenginį patikrinkite, ar visi saugos įtaisai veikia pagal reikalavimus:
  - Nešimo rankena
    - Speciali nešimo rankenos danga leidžia geriau suvaldyti purškimo vamzdį ir mažina nuovargį dirbant.
  - Fiksavimo mygtukas
    - Fiksavimo mygtukas užfiksuoja svirtinį gaiduką ir apsaugo nuo netyčinio aukšto slėgio srovės paleidimo.
- Nesinaudokite įrenginiu, jei pažeistos svarbios jo dalys, pvz., saugos įtaisai ar purškimo vamzdis.

### ▲ ĮSPĖJIMAS

Naudojant aukšto slėgio valymo įrenginius, gali susidaryti aerosoliai. Įkvėpti aerosoliai gali pakenkti jūsų sveikatai.

### ▲ ĮSPĖJIMAS

Nesukiokite antgalio, kai laikote nuspaudę gaiduką. Jei purškiant vandenį pasuksite antgalį, vanduo tekės pro slėgio mažinimo kanalą. Tai nėra nuotėkis – taip vanduo išleidžiamas nesugadinant įrenginio.

- Didžiaslėgis srautas kelia pavojų, jeigu naudojamas netinkamai. Srauto nenukreipkite į žmones, įtampingąją elektros įrangą ar patį įrenginį.
- Kad apsisaugotumėte nuo sprogo, nepurškite degių skysčių.
- Nenukreipkite srovės į save ar kitus, ketindami nuvalyti drabužius arba avalynę.
- Įrenginio sauga glaudžiai susijusi su žarnomis, jungiamosiomis dalimis ir movomis. Naudokite tik gamintojo rekomenduotas žarnas, jungiamąsias detales ir movas.
- Kai kuriuose regionuose taisyklės riboja įrenginio naudojimą. Kreipkitės patarimo į vietos įstaigą.



- Kiekvieną kartą prieš imdamiesi naudoti įrenginį, patikrinkite, ar jis nėra pažeistas. Pažeistas žarnas privaloma nedelsiant pakeisti naujomis. Patikrinkite, ar tvirtai sumontuotos visos jungtys, pvz., purškimo vamzdžio ir antgalio. Žarnas išvyniokite tinkamai, kad jos nebūtų sulenkiamos ar susukamos.
- Prieš imdamiesi bet kokių valymo darbų uždarykite duris ir langus. Iš valytinos zonos pašalinkite šiukšles, žaislus, lauko baldus ar kitus galinčius kelti pavojų objektus.
- Įrenginio nenaudokite žemesnėje kaip 0°C temperatūroje.
- Su įrenginiu nenaudokite rūgščių, šarmų, tirpiklių, degiųjų medžiagų, balinimo medžiagų ar pramonės reikmėms skirtų tirpalų. Minėti produktai gali sužaloti operatorių ir nepataisoma sugadinti įrenginį.
- Nesinaudokite įrankiu būdami pavargę, apsvaigę nuo narkotinių medžiagų, alkoholio arba vaistų. Naudojant krūmaplovę, dėl menkausio neatidumo, galima sunkiai susižeisti.
- Jei jungikliu prietaiso negalite tinkamai įjungti ir išjungti, prietaiso nenaudokite. Jungikliu nevaldomas bet koks prietaisas yra pavojingas ir jį reikia taisyti.
- Valydami transporto priemones užtikrinkite ne mažesnę kaip 30 cm atstumą. Didžiaslėgis srautas gali apgadinti ar susprogdinti transporto priemonės padangas ir (arba) padangų ventilius.
- Įrenginiu naudotis draudžiama, jei jis buvo numestas, jei yra matomų jo pažeidimo požymių arba nuotėkių.

## ELEKTROS AKUMULATORIAUS SAUGOS ĮSPĖJIMAI

### ▲ ĮSPĖJIMAS

Didžiaslėgis srautas kelia pavojų, jeigu būtų naudojamas ne pagal paskirtį. Srauto neleidžiama nukreipti į žmones, gyvūnus, elektros įtaisus ar į įrenginį.

- Rankeną laikykite tvirtai abiem rankom. Numatykite, kad rankena pajudės, kai patraukus paleidžiamąjį įtaisą jį veiks sąveikos jėgos. Jeigu į šiuo dalykus neatsižvelgsite, galite to įtaiso nesuvaldyti ir būsite sužeistas pats ar sužeisite kitus.
- Judėkite apdairiai, kad nepaslystumėte ar nepargriūtumėte.
- Visada tvirtai stovėkite ir išlaikykite pusiausvyrą. Nepersitempkite. Persitempę galite prarasti pusiausvyrą.
- Niekada nepalikite įrenginio be priežiūros, kai jis veikia naudodamas akumulatoriaus energiją. Išjunkite įrenginį ir padėkite jį tik tada, kai jis visiškai sustos. Įrenginį, kuriuo teka elektros srovė, privaloma laikyti vaikams nepasiekiamoje vietoje.
- Susipažinkite, kaip reikia naudoti valdymo įtaisus. Susižinokite, kaip galima išjungti įrenginį ir greitai sumažinti slėgį.
- Būkite budrus ir kontroliuokite situaciją. Stebėkite, ką darote ir vadovaukitės sveika nuovoka.
- Akumuliatorių bloką įkraukite tik naudodami gamintojo nurodytą kroviklį. Vieno tipo akumuliatoriui tinkantis įkroviklis gali kelti gaisro pavojų kitokiam akumuliatoriui.
- Kai akumulatorius nenaudojamas, jį laikykite toliau nuo kitų metalinių daiktų, pavyzdžiui, sąvaržėlių, monetų, raktų, vinių, varžtų ar kitų mažų metalinių daiktų, kurie vieną gnybtą gali sujungti su kitu. Sutrumpinus vieną akumulatoriaus gnybtą su kitu, galima nusideginti arba sukelti gaisrą.
- Elektros akumuliatorių ir įkroviklį saugokite nuo drėgmės ir skysčių.
- Įrenginį naudokite tik su šiame vadove nurodytu elektros akumulatoriumi. Naudojant kitokius akumulatorius, galima susižeisti ar sukelti gaisrą.
- Netinkamomis sąlygomis iš akumulatoriaus gali ištekėti skystis - nelieskite jo. Jei atsitiktinai prisilietėte - nuplaukite vandeniu. Jei skysčio pateko į akis, nedelsiant kreipkitės į gydytoją. Iš akumulatoriaus ištekėjęs skystis gali nudeginti ar sukelti sudirginimus.
- Baterijų pakete įmontuota apsauga nuo perkaitimo. Esant ekstremalioms temperatūroms akumulatorius įrankio nebekrauna. Patikrinkite akumuliatorių bloką – jei jis pernelyg šiltas, leiskite jam atvėsti ir tik tada atnaujinkite darbą. Jei įrankis vis tiek neveikia, akumuliatorių įkraukite.



**PASTABA:** LED įkroviklio lemputė nešviečia, jei akumuliatoriaus apsauginis įtaisas sustabdo energijos tiekimą į įrankį. Atleiskite įjungimo / išjungimo mygtuką arba išimkite akumuliatorių bloką iš gaminio ir akumuliatorių bloko LED indikatorius vėl pradės veikti įprastai.

#### **⚠ ĮSPĖJIMAS**

Nepurškite vandens ant įrenginio. Antraip gali būti sugadintos elektrinės dalys ir akumuliatorius.

#### **⚠ ĮSPĖJIMAS**

Siekdami išvengti trumpojo jungimo sukeltą gaisro pavojų, sužalojimų arba produkto pažeidimų, neikiškite įrankio, keičiamo akumuliatoriaus arba įkroviklio į skysčius ir pasirūpinkite, kad į prietaisus arba akumuliatorius nepatektų jokių skysčių. Koroziją sukeliantys arba laidūs skysčiai, pvz., sūrus vanduo, tam tikri chemikalai ir balikliai arba produktai, kurių sudėtyje yra baliklių, gali sukelti trumpąjį jungimą.

#### **ŠALUTINIAI PAVOJAI**

Net naudojant gaminį pagal nurodymus, neįmanoma visiškai atmesti visų pavojų veiksmų. Naudojant gaminį gali kilti toliau išvardinti pavojai ir naudotojas turi kreipti ypatingą dėmesį, kad jų išvengtų:

- Vibracijos sukeltas sužalojimas
  - Laikyti gaminį už tam skirtų rankenų ir riboti darbo laiką bei buvimą sveikatai žalingoje aplinkoje.
- Skriejančių atplaišų sukelti sužeidimai.
  - Būtinai dėvėti akių apsaugą.
- Triukšmo sukelta trauma
  - Dėvėkite akių apsaugą ir ribokite poveikio trukmę.

#### **RIZIKOS MAŽINIMAS**

Turime pranešimų, kad vibracija nuo ranka laikomų įrankių kai kuriems asmenims gali turėti neigiamos įtakos vystantis Raynaud sindromui. Šios ligos požymiai yra pirštų dilgčiojimas, nutirpimas ir pabalimas, paprastai pasireiškiantis nuo šalčio. Šie simptomai vystosi dėl paveldimų veiksmų, nesisaugant

nuo šalčio ir drėgmės, dėl mitybos, rūkymo ir darbo praktikos. Operatorius gali imtis šių priemonių, kurios gali sumažinti vibracijos poveikį:

- Apsirenkite kuo šilčiau šaltu oru. Naudojant gaminį, reikia mūvėti pirštines, kad plaštakos ir riešai neatšaltų. Turime pranešimų, kad Raynaud sindromas labiausiai vystosi nuo šalto oro sąlygų.
- po darbo kiekvieną kartą pasportuokite, kad pagerėtų kraujo apytaka;
- dažnai darykite darbo pertraukas. Atribokite darbo laikotarpį per dieną.

Jei jums pasireiškia kokie nors šios būklės simptomai, nedelsdami nutraukite darbą ir kreipkitės į gydytoją.

#### **⚠ ĮSPĖJIMAS**

Ilgiau naudojant, įrankis kelia sužeidimų pavojų ir apsunkina darbą. Ilgiau naudojant įrankius, reikia reguliariai daryti pertraukas.

#### **GABENIMAS IR LAIKYMAS**

- Išjunkite įrenginį, išimkite elektros akumuliatorių ir palaukite, kol įrenginys atauš. Prieš sandėliuodami įrenginį ar prieš jį gabendami atjunkite nuo vandens tiekimo linijos.
- Prieš sandėliuodami įrenginį iš visų žarnų ir siurblio pašalinkite vandenį bei ištuštinkite ploviklio talpyklą.
- Tinkamai suvyniokite sifono žarną ir laikykite ją su aukšto slėgio valymo įrenginiu.
- Nuo įrankio nuvalykite visas pašalines medžiagas. Įrenginį sandėliuokite vėsioje, apsaugotoje nuo šalčio, sausoje, tinkamai ventiliuojamoje ir vaikams neprieinamoje vietoje. Nelaikykite gaminio šalia šildymo katilo ar kitų šilumos šaltinių, kurie galėtų išdžiovinti siurblio tarpiklius. Laikykite gaminį toliau nuo korozinių medžiagų, pvz. sodo chemikalų ir tirpdančių druskų. Nelaikykite įrenginio lauke.
- Paruošiant gabenimui, gaminį reikia pritvirtinti, kad nejudėtų ir nenukrsitų, nes priešingu atveju jis gali sužaloti žmones arba sugesti pats.

### ⚠ ĮSPĖJIMAS

Laikykitės prietaisą tik patalpoje. Jei laikysite prietaisą žemesnėje nei 0 °C temperatūroje, jis gali sugesti.

## LIČIO BATERIJŲ TRANSPORTAVIMAS

Akumuliatorių gabenkite pagal vietinius ir šalies reikalavimus bei nuostatas.

Akumuliatorių gabenant trečiajai šaliai būtina laikytis visų specialių reikalavimų, nurodytų pakuotėse ir etiketėse. Užtikrinkite, kad gabenimo metu nei vienas akumuliatorius nesiliestų su kitais akumuliatoriais arba laidžiosiomis medžiagomis – apsauginius jungiamuosius elementus uždenkite izoliacinėmis nelaidžiomis movomis arba juosta. Įskilusių ir tekančių akumuliatorių negabenkite. Dėl tolesnių patarimų kreipkitės į transporto įmonę.

### PRIEŽIŪRA

### ⚠ ĮSPĖJIMAS

Keitimui naudokite tik originalias gamintojo atsargines dalis. Neoriginalios dalys gali būti sužeidimų ir įrenginio blogo veikimo priežastis, ir dėl to gali būti anuluotas garantinis pažymėjimas.

### ⚠ ĮSPĖJIMAS

Aptarnavimą atlikti būtina itin atidžiai, todėl rekomenduojame, kad techninę apžiūrą vykdytų kvalifikuotas specialistas. Įrenginį techninei priežiūrai pristatykite tik į įgaliotąjį techninės priežiūros centrą. Atlikdami prietaiso techninę priežiūrą, keitimui naudokite tik originalias, prietaiso gamintojo atsargines dalis.

- Išjunkite įrenginį, išimkite elektros akumuliatorių ir palaukite, kol įrenginys atauš. Įrenginį atjunkite nuo vandens tiekimo linijos prieš:
  - gaminio valymas
  - imdamiesi įrenginio techninės priežiūros darbų;
  - keisdami atsargines dalis.
- Gaminį reguliuoti ar taisyti patiems galima tik tiek, kiek aprašyta šiame vadove. Dėl kitų dalių taisymo ar pagalbos taisant reikia kreiptis į įgaliotą techninio aptarnavimo centrą.

- Reguliariai tikrinkite, ar įrenginys atitinka saugos reikalavimus ir atlikite jo techninę priežiūrą. Įsitikinkite, kad akumuliatoriaus skyrius yra tinkamai sumontuotas ir sandariai uždarytas; dažnai tikrinkite, ar nėra pažeidimų. Bet kurią apgadintą detalę leidžiama remontuoti arba keisti tik autorizuosime aptarnavimo centre.

### PAŽINKITE SAVO GRANDININĮ PJŪKLĄ

Žr. 131 psl.

1. 3 padėčių antgalis
2. Atlaisvinimo mygtukas
3. Purškimo svirtelė
4. Fiksavimo mygtukas
5. Fiksatorius
6. Akumuliatoriaus skyrius
7. Nešimo rankena
8. Svirtinis jungiklis
9. Vandens įvadas
10. Plūdė
11. Filtras
12. Sifono žarna
13. Greitojo atlaisvinimo jungtis

### SIMBOLIAI ANT ĮRENGINIO



Įspėjimas!

Prieš pradėdami naudoti šį gaminį perskaitykite ir supraskite šią vartotojo instrukciją, kad sumažintumėte sužeidimų pavojų.



Dėvėkite akis ir klausos apsaugą.



Siekiant išvengti didžiaslėgio srauto keliamos rizikos, jo nenukreipkite tiesiogiai į žmones ar gyvūnus.



Atatranka. Norėdami sumažinti susižeidimo dėl atatrankos riziką, įrenginiui veikiant, svirtinį gaiduką laikykite abiem rankomis.



Šio įrenginio negalima jungti prie geriamojo vandens tinklo, jei nesumontuotas apsaugos nuo atbulinio srauto įtaisas.



Purškimo vamzdelį draudžiama nukreipti į žmones, gyvūnus, mechanizmo korpusą, elektros energijos tiekimo įrangą arba bet kokius elektros įtaisus.



Trūkimo pavojus



Šis prietaisas atitinka visas reglamentuotas normas ES šalies, kur jis buvo nupirktas.



„EurAsian“ atitikties ženklas



Ukrainos atitikties ženklas



Elektrinių produktų atliekos neturi būti metamos kartu su namų ūkio atliekomis. Prašome perdirbkite jas ten, kur yra tokios perdirbimo bazės. Dėl perdirbimo patarimo kreipkitės į savo vietinę savivaldybę ar pardavėją.

## SIMBOLIAI VADOVE



Detalės arba priedai yra parduodami atskirai



Pastaba



Įspėjimas!

Šie signaliniai žodžiai yra skirti nurodyti su prietaiso naudojimu susijusio pavojaus lygį.

### ⚠ PAVOJUS

Reiškia ypač pavojingą padėtį, kurios neišvengus bus patirti sunkūs ar net mirtini sužeidimai.

### ⚠ ĮSPĖJIMAS

Reiškia potencialiai pavojingą situaciją, kurios neišvengus galimi sunkūs ar net mirtini sužeidimai.

### ⚠ ATSARGIAI

Reiškia potencialiai pavojingą situaciją, kurios neišvengus galimi lengvi ar vidutinio sunkumo sužeidimai.

### ATSARGIAI

Be įspėjamųjų simbolių  
Reiškia nuosavybės žalos tikimybę.

Survepesuri juures on peetud esmatahtsaks ohutust, töövoimet ja töökindlust.

### OTSTARBEKOHANE KASUTAMINE

Juhtmeta survepesurit tohib kasutada ainult välitingimustes.

Seade on ette nähtud kasutamiseks kodumajapidamises. See on mõeldud terrassimööbli, akende, autode, paatide puhastamiseks, kasutades mustuse eemaldamiseks puhast vett koos puhastusvahendiga või ilma selleta.

Toodet tohib kasutada hästi valgustatud tingimustes.

Ärge kasutage ühekski muuks otstarbeks.

#### ▲ HOIATUS

Tootega võib kasutada kaasasolevat või tootja poolt soovitatud neutraalset puhastusvahendit. Teiste puhastusvahendite või kemikaalide kasutamine võib kahjustada toote ohutust.

### OHUTUSE ÜLDEESKIRJAD

#### ▲ HOIATUS

**Lugege kõik ohuhoiatused ja juhised läbi.** Hoiatuste ja juhiste eiramisel on oht saada elektrilööki või raskeid kehavigastusi ning/või põhjustada tulekahju.

#### ▲ ETTEVAATUST

Toodet ei tohi kasutada ilma EN 12729 BA-tüüpi tagasivooluventiilita joogiveevõrgus. Tagasivooluventiilist läbivoolavat vett peetakse joogikõlbmatuks. Toodet ei tohi ühendada veevõrguga.

- Toodet ei tohi kasutada lapsed või isikud, kelle füüsilised või vaimsed võimed on piiratud või kellel ei ole seadme kasutamiseks vajalikke kogemusi või teadmisi. Laste järele tuleb piisavalt valvata, et nad seadmega ei mängiks.
- Tootega töötamise ajal kasutage isikukaitsevahendeid, nagu kaitseprillid ja kuulmiskaitsevahendid.
- Vigastuste ohu vähendamiseks hoidke lapsed ja kõrvalised isikud eemal. Kõik kõrvalseisjad peavad kandma kaitseprille ja olema tööpiirkonnast ohutus kauguses.

- Kontrollige, kas turvaseadmed on töökorras. Iga kord enne kasutamist veenduge, et kõik turvaseadmed töötavad korralikult:

- Käepide

- Käepideme isoleeritud pind võimaldab paremat kontrolli pihustustoru üle ja aitab vähendada väsimust.

- Lukustusnupp

- Lukustusnupp lukustab päästiku ja hoiab ära survejoo tahtmatu vabastamise.

- Ärge kasutage toodet, kui olulised osad (nt turvaseadmed või pihustustoru) on kahjustatud.

#### ▲ HOIATUS

Survepesuriga töötamise ajal võivad tekkida aerosoolid. Aerosooli sissehingamine võib tervist kahjustada.

#### ▲ HOIATUS

Päästiku tõmbamise ajal ärge pihustit keerake. Kui pihusti keeramise ajal voolab vett, laseb möödavoolukanal vett läbi. Tegemist ei ole lekkega, vaid nii pääseb vesi välja tööriista kahjustamata.

- Survejuga on vale kasutamise puhul ohtlik. Ärge suunake juga inimeste, voolu all olevate elektriseadmete ega toote enda peale.
- Plahvatusohu vältimiseks ärge pihustage süttivaid vedelikke.
- Ärge suunake juga enda ega teiste poole, et puhastada riideid või jalanõusid.
- Voolikud, liitmikud ja muhvid on toote ohutuse seisukohalt olulised. Kasutage ainult tootja soovitatud voolikuid, liitmikke ja muhve.
- Mõnedes piirkondades on seadused, mis piiravad selle toote kasutamist. Lisateavet saate kohalikust omavalitsusest.
- Iga kord enne kasutamist kontrollige, kas esineb kahjustusi. Kahjustatud voolikud tuleb viivitamatult välja vahetada. Veenduge, et kõik ühendused (nt pihustustoru ja pihusti) oleks turvalised. Kerige voolik lahti õigesti, et see ei läheks keerdu ega sõlme.



- Enne puhastamist sulgege aknad ja ukсед. Puhastatavas piirkonnas ei tohi olla prahti, mänguasju, aiamehhanismide ega muid ohtlikuks osutada võivaid esemeid.
- Ärge kasutage toodet temperatuuril alla 0 °C.
- Ärge kasutage toodet hapete, aluste, lahustite, süttiva materjali, valgendite ega tööstuslike lahustitega. Need tooted võivad kasutajat füüsiliselt vigastada ja toodet pöördumatult kahjustada.

### ⚠ HOIATUS

Valesti kasutatav survejuga võib olla ohtlik. Ärge suunake juga inimeste, voolu all olevate elektriseadmete ega toote enda peale.

- Hoidke käepidemest kindlalt mõlema käega kinni. Olge valmis selleks, et käepide võib päästiku tõmbamisel reaktsioonijõudude tõttu liikuda. Kui päästikut kindlalt ei hoita, võib kontroll pesuri üle kaduda ja te võite ennast või teisi vigastada.
- Olge ettevaatlik, et te ei libiseks ega kukuks.
- Hoidke kindlat jalgade asendit ja tasakaalu. Ärge kummardage. Kummardamine võib põhjustada tasakaalu kadumist.
- Ärge jätke toodet järelevalveta, kui selles on aku. Lülitage toode välja ja lahkuge alles siis, kui toode on täielikult peatunud. Hoidke lapsed sisselülitatud tootest eemal.
- Tehke juhtelemendid endale selgeks. Tehke endale selgeks toote peatamine ja kiiresti surve alt vabastamine.
- Olge tähelepanelik ja hoidke seadet kontrolli all. Jälgige mida teete ja kasutage tervet mõistust.
- Ärge kasutage toodet, kui olete väsinud, haige või narkootikumide, alkoholi või ravimite mõju all. Hetkeline tähelepanu hajumine seadme kasutamise ajal võib põhjustada raske kehavigastuse.
- Ärge kasutage seadet, kui lüliti ei lülita seda sisse ja välja. Lülitiga lülitamatu seadme kasutamine on ohtlik ja see tuleb lasta ära remontida.
- Auto puhastamisel hoidke vähemalt 30 cm vahet. Survejuga võib autorehve ja/või ventiile kahjustada või nad ära lõhkuda.
- Toodet ei tohi kasutada, kui see on maha kukkunud, sellel on nähtavaid vigastusi või see lekib.

### AKU OHUTUSNÕUDED

- Aku laadimiseks kasutage ainult tootja poolt kindlaks määratud laadijat. Akulaadija, mis sobib ühele akupaketile võib põhjustada tulekahju, kui seda kasutada teise akupaketiga.
- Sel ajal kui akupakett ei ole kasutusel, hoidke seda eemal metallesemetest nagu kirjaklambrid, mündid, võtmed, naelad, kruvid ja muudest väikestest metallobjektidest, mis võivad akuklemmid lühistada. Aku klemmide lühistamine võib põhjustada põletust või tulekahju.
- Ärge hoidke akut ja laadijat märgades ja niisketes tingimustes.
- Kasutage toodet ainult selles kasutajajuhendis määratud akuga. Muude akupakettide kasutamine võib põhjustada kehavigastusi või tulekahju.
- Aku vale kasutamise korral võib akuvedelik välja voolata - vältige sellega kokkupuudet. Akuvedeliku nahale sattumisel peske see veega maha. Vedeliku silma sattumisel pöörduge viivitamatult arsti poole. Väljaprisiv akuvedelik võib tekitada nahaärritust või -põletust.
- Akupaketil on ülekuumenemise kaitse. Ligne temperatuur põhjustab tööriista toite katkemise. Katsuge akut: kui see on liiga soe, laske sel enne töö jätkamist maha jahtuda. Kui tööriist siiski tööle ei hakka, laadige aku uuesti.

**MÄRKUS.** Akupaketi LED-märgutuli ei tööta, kui aku kaitsefunktsioon on põhjustanud akupaketi toite katkemise. Vabastage sisse-välja lüliti või eemaldage tootest aku ning aku LED-indikaatori tavafunktsioon taastub.

### ⚠ HOIATUS

Ärge suunake veejuga tootele. See võib kahjustada akut.

### ⚠ HOIATUS

Lühisest põhjustatud tuleohtu, vigastuste või toote kahjustuste vältimiseks ärge kastke tööriista, vahetusakut ega laadimiseadet vedelikku ning jälgige, et vedelikke ei tungiks seadmetesse ega akusse. Korrodeeruvad või elektrit juhtivad vedelikud, nagu soolvesi, teatud kemikaalid ja pleegitusained või pleegitusaineid sisaldavad tooted, võivad põhjustada lühist.

## JÄÄKRISKID

Isegi siis, kui kultivaatorit kasutatakse kirjeldatud viisil, ei ole võimalik kõrvaldada kõiki jääkriskide mõjureid. Töötamise ajal võivad tekkida järgmised ohud, millele operaator peab pöörama erilist tähelepanu.

- Vibratsioonist põhjustatud kehavigastus
  - Hoidke kultivaatorit kinni selleks ette nähtud käepidemetest ja piirake tööaega ning vibratsiooniga kokkupuudet.
- Lenduva prügi poolt põhjustatud vigastused.
  - Kandke alati silmakaitsevahendeid.
- Mürast põhjustatud vigastus
  - Kandke kuulmiskaitsevahendeid ja piirake müraga kokkupuudet

## RISKI ALANDAMINE

Teadaolevalt võib käsitööriistade kasutamine põhjustada mõnedel inimestel seisundit, mida nimetatakse Raynaud' sündroomiks. Sümptomidena võib ilmneda sõrmede tuimus ja valkjaks muutumine, mis tavaliselt ilmneb külmas töötamisel. Nende sümptomite puhul tuleb hoiduda külmast ja niiskusest, dieedist ning suitsetamisest ja kasutada õigeid tööväiteid. Vibratsiooni mõju vähendamiseks tuleb rakendada järgmisi abinõusid.

- Külma ilmaga hoidke oma keha soe. Kandke kindaid, et hoida oma käed ja randmed soojad. Uuringud näitavad, et Raynaud's Syndrome ilmneb põhiliselt külma ilmaga.
- Pärast külmas töötamist tehke harjutusi, et verevarustust kiirendada.
- Tehke regulaarselt töövaheaegasid. Piirake tööperioodi pikkust.

Kui ilmnevad haigustunnused, lõpetage kohe töö ja pöörduge arsti poole.

### ⚠ HOIATUS

Seadme pikaajalisel kasutamisel võite saada kehavigastusi ja varasemad vigastused võivad süveneda. Seadme kasutamisel pika aja jooksul tuleb teha korralisi vaheaegasid.

## TRANSPORTIMINE JA HOIUSTAMINE

- Peatage toode, eemaldage aku ja laske tootel maha jahtuda. Enne hoiustamist või transporti ühendage toode veevarustuse küljest lahti.

- Enne toote hoiustamist eemaldage kõigist voolikutest ja pumbast vesi ning tühjendage puhastusvahendi paak.
- Kerige sifoonvoolik korralikult kokku ja hoiustage koos survepesuriga.
- Puhastage seade kõikidest võõrkehadest. Hoidke pesurit jahedas, kuivas ja hästi ventileeritud ning lastele kättesaamatus kohas. Ärge hoiustage toodet ahju ega muude soojusallikate lähedal, see võib pumbatihendid ära kuivatada. Hoidke seadet eemal korrodeerivatest ainetest, nagu aiakemikaalid ja jääsulatussoolad. Ärge hoiustage toodet väljas.
- Vedamise ajal tõkestage kultivaator liikuma hakkamise ja alla kukkumise vastu, et vältida kehavigastusi ja masinaosade kahjustamist.

### ⚠ HOIATUS

Hoiustage toodet ainult siseruumides. Toote hoiustamine madalama kui 0° temperatuuri juures kahjustab toodet.

## LIITUMAKUDE TEISALDAMINE

Akude transportimisel juhendage kasutuskohas kehtivatest riiklikest määrustest ja eeskirjadest.

Akude transportimisel allettevõtjate poolt järgige kõiki pakkimise ja tähistamise erinõudeid. Veenduge, et akud ei satu kokkupuutese teiste akude ega voolu juhtivate materjalidega, kui avatud klemmid on transportimise ajal kaitstud voolu mittejuhtivate isoleerkorkide või teibiga. Ärge transportige pragunenud või lekkivaid akusid. Küsige lisateavet transportetevõtelt.

## HOOLDUS

### ⚠ HOIATUS

Kasutage ainult tootja originaalvaruosi, tarvikuid ja tööorganeid. Selle nõude eiramine võib põhjustada, kehavigastuse, tootluse languse ja teile antud garantii tühistamise.

## ⚠ HOIATUS

Hooldamine nõuab ülimalt korrashoidu ja teadmisi ning tuleks teostada ainult kvalifitseeritud hooldustehnikute poolt. Toodet tohib parandada vaid volitatud teeninduses. Muruniiduki hooldamisel kasutage ainult tootja originaalvaruosi.

- Peatage toode, eemaldage aku ja laske tootel maha jahtuda. Ühendage toode veevarustuse küljest lahti enne:
  - toote puhastamine
  - toote hooldamist
  - varuosade vahetamist
- Lubatud on teha ainult selles kasutusjuhendis kirjeldatud reguleerimis- ja parandustoiminguid. Muude remonditööde tellimiseks ja abi saamiseks pöörduge volitatud hoolduskeskusesse.
- Tööohutuse tagamiseks tuleb toodet regulaarselt kontrollida ja hooldada. Veenduge, et akukamber on korralikult ühendatud ja tihedalt kinni ning kontrollige sageli, kas esineb kahjustusi. Vigastatud osad tuleb lasta pädeval hooldajal parandada või asendada.

## ÕPPIGE OMA TOODET TUNDMA

Vt leht 131.

1. Kolm-ühes otsik
2. Vabastusnupp
3. Joatoru
4. Lukustusnupp
5. Lukusti
6. Akukamber
7. Käepide
8. Päästik
9. Vee sisselase
10. Ujukventiil
11. Filter
12. Sifoonvoolik
13. Kiirühendus

## MASINAL OLEVAD SÜMBOLID



Hoiatus



Vigastusohu vähendamiseks peab kasutaja enne seadme kasutamist kasutusjuhendi läbi lugema ja endale selgeks tegema.



Kandke kaitseprille ja kõrvaklappe.



Survest põhjustatud ohu vähendamiseks ärge suunake juga otse inimeste ega loomade poole.



Tagasilöök. Tagasilöögist põhjustatud vigastuse ohu vältimiseks hoidke töö ajal päästikuga käepidemest mõlema käega tugevasti kinni.



Toodet ei tohi ühendada joogiveevõrguga ilma tagasisvoolukaitseta.



Ärge kunagi suunake pihustustoru inimeste, loomade, masina korpuse, toiteallika ega elektriseadmete poole.



Lõhkemisoht



Vastab kõigile eeskirjadele EL-i liikmesriigis, kus toode on ostenud.



Euraasia vastavusmärk



Ukraina vastavusmärgis



Mittekasutatavaid elektritooteid ei tohi visata olmejäätmete hulka. Vaid tuleb viia vastavasse kogumispunkti. Vajadusel küsige sellekohast nõu oma edasimüüjalt või vastavalt kohaliku omavalitsuse institutsioonilt.

## KASUTUSJUHENDI SÜMBOLID



Eraldi ostetavad osad või tarvikud



Märkus



Hoiatus

Järgnevad märguandesõnad ja tähendused on mõeldud selle toote kasutamise seotud riskitasemetega kirjeldamiseks.

**⚠ OHT.**

Viitab kohe tekkivale ohtlikule situatsioonile, mis, kui ei väldita, lõpeb surma või tõsise vigastusega.

**⚠ HOIATUS**

Viitab võimalikule ohtlikule situatsioonile, mis, kui ei väldita, võib lõppeda surma või tõsise vigastusega.

**⚠ ETTEVAATUST**

Viitab võimalikule ohtlikule situatsioonile, mis, kui ei väldita, võib lõppeda väiksemate või keskmiste vigastusega.

**ETTEVAATUST**

Ilma hoiatussümbolita

Osutab olukorrale, mis võib põhjustada varakahju.

Vodeću ulogu u dizajnu vašeg električnog peraa imaju sigurnost, performanse i pouzdanost.

### NAMJENA

Akumulatorski električni peraa namijenjen je samo za korištenje na otvorenom prostoru.

Ovaj proizvod namijenjen je za kućnu ili upotrebu u domaćinstvu. Namijenjen je za pranje namještaja na terasama, automobila, čamaca tako što se njime uklanja tvrdokorna prljavština čistom vodom s deterdžentom ili bez njega.

Proizvod se treba koristiti u dobro osvijetljenim uvjetima.

Nemojte koristiti oštricu u nikakvu drugu svrhu.

### ⚠ UPOZORENJE

Proizvod je osmišljen za uporabu s neutralnim sredstvom za pranje, koje se isporučuje s njim ili koje preporučuje proizvođač. Uporaba drugih sredstava za pranje ili kemikalija može nepovoljno utjecati na sigurnost proizvoda.

### OPĆA SIGURNOSNA PRAVILA

### ⚠ UPOZORENJE

**Pročitajte sva sigurnosna upozorenja i sve upute.** Nepridržavanje upozorenja i uputa može izazvati strujni udar, požar i/ili ozbiljne ozljede.

### ⚠ UPOZORENJE

Proizvod se ne smije koristiti na dovodu tekuće vode ako prethodno nije montiran uređaj za sprječavanje povratnog toka vode koji odgovara normi EN 12729, tip BA. Voda koja protječe kroz uređaj za sprječavanje povratnog toka nije pogodna za piće. Proizvod nije dozvoljeno spajati na dovod vode.

- Proizvod ne smiju koristiti djeca ili osobe smanjenih motoričkih, senzornih ili mentalnih sposobnosti, te nestručne osobe i osobe bez iskustva. Djecu je potrebno odgovarajuće nadzirati kako bi se osiguralo da se ne igraju s proizvodom.

- Pri radu proizvodom koristite osobnu zaštitnu opremu kao što su zaštitne naočale i zaštita za sluh.
- Kako biste smanjili rizik od ozljeda, djecu i nazočne osobe držite podalje od mjesta rada. Sve nazočne osobe moraju nositi sigurnosne naočale i biti na sigurnoj udaljenosti od radnog područja.
- Pregledajte sigurnosne uređaje kako biste provjerili jesu li u dobrom radnom stanju. Prije svake uporabe provjerite rade li svi sigurnosni uređaji ispravno:
  - Rukohvat
    - Rukohvat ima hvatnu površinu koja osigurava dodatni nadzor nad nastavkom za prskanje i pomaže u smanjenju naprezanja.
  - Gumb za blokiranje
    - Gumb za blokiranje zaključava okidač i sprječava slučajno otvaranje visokotlačnog mlaza.
- Nemojte koristiti proizvod ako su oštećeni njegovi važni dijelovi, kao što su to primjerice, sigurnosni uređaji ili nastavak za prskanje.

### ⚠ UPOZORENJE

Tijekom korištenja električnih peraa mogu nastati aerosoli. Udisanje aerosola može biti opasno po zdravlje.

### ⚠ UPOZORENJE

Ne okrećite mlaznicu dok povlačite okidač. Ako voda teče dok je mlaznica okrenuta, kanal za rasterećenje će ispustiti vodu. To nije ispuštanje nego omogućava da voda iscuri bez oštećivanja alata.

- Visokotlačni mlaz je opasan ako se koristi na pogrešan način. Nemojte usmjeravati mlaz prema osobama, električnoj opremi pod naponom ili samom proizvodu.
- Kako biste izbjegli rizik od eksplozije, nemojte prskati zapaljive tekućine.
- Nemojte usmjeravati mlaz prema sebi ili drugima radi čišćenja odjeće ili obuće.
- Crijeva, priključci i spojnice su važni za sigurnost proizvoda. Koristite samo crijeva, priključke i spojnice preporučene od strane proizvođača.



- Neke regije imaju pravila koja ograničavaju korištenje proizvoda. Provjerite kod lokalnih tijela za savjet.
- Prije svake uporabe provjerite na oštećenja. Oštećena crijeva moraju se odmah zamijeniti. Uvjerite se da su svi priključci, kao što su nastavak za prskanje i mlaznica, čvrsto zategnuti i sigurno spojeni. Crijevo odmotajte tako da se ne savija ili uvija.
- Prije započinjanja postupka čišćenja zatvorite vrata i prozore. Oslobodite područje koje želite čistiti od ostataka, igraćaka, vanjskog namještaja ili drugih predmeta koji mogu predstavljati opasnost.
- Nemojte koristiti proizvod na temperaturama nižim od 0°C.
- Nemojte koristiti kiseline, lužine, zapaljive materijale, izbjeljivače ili industrijske otopine. Ovi proizvodi mogu prouzročiti tjelesne ozljede operateru i nepovratnu štetu na proizvodu.

#### **⚠ UPOZORENJE**

Mlaz pod visokim tlakom može biti opasan ako se zlorabi ili pogrešno upotrebljava. Zabranjeno je usmjeravati mlaz prema ljudima, električnim uređajima ili samom proizvodu.

- Držite ručicu čvrsto s obje ruke. Očekujte da će se, zbog reakcijskih sila i djelovanja mlaza, ručica pištolja pomaknuti kada povučete okidač. Ako ne slijedite ove upute možete izgubiti kontrolu nad uređajem i prouzročiti tjelesne ozljede sebi i drugim osobama u okolici.
- Budite iznimno oprezni kako se ne biste okliznuli ili pali.
- Zauzmite čvrst stav i ravnotežu. Ne sežite preko određene granice. Sezanje preko određene granice može imati za posljedicu gubitak ravnoteže.
- Proizvod nikada ne ostavljajte bez nadzora dok je spojen na baterijski sklop. Isključite proizvod i ostavite ga tek kada se potpuno zaustavi. Proizvod držite izvan dohvata djece kada je pod naponom.
- Upoznajte se s komandama uređaja. Morate znati kako zaustaviti proizvod i kako brzo ispustiti tlak.
- Budite na oprezu i imajte kontrolu nad alatom. Gledajte to što radite i pri radu s alatom koristite zdrav razum.
- Ne koristite proizvod ako ste umorni ili pod utjecajem droga, alkohola ili lijekova. Trenutak nepažnje pri radu s proizvodom može dovesti do teških osobnih ozljeda.
- Nemojte koristiti proizvod ako ga sklopka pravilno ne uključuje ili isključuje. Proizvod koje se ne može kontrolirati pomoću sklopke je opasan i mora se popraviti.
- Pri čišćenju vozila držite rastojanje od površine minimalno 30 cm. Mlaz pod visokim tlakom može oštetiti ili probiti gume vozila i/ili ventile guma.
- Proizvod se ne smije koristiti ako je pao, ako na njemu ima vidljivih oštećenja ili ako curi.

#### **SIGURNOSNA UPOZORENJA ZA BATERIJU**

- Bateriju punite koristeći isključivo punjač koji je specificirao proizvođač. Punjač koji je prikladan za jednu vrstu baterija može dovesti do opasnosti od požara kada se koristi s drugom baterijom.
  - Kada se baterija ne koristi držite je dalje od drugih metalnih predmeta kao što su spajalice za papir, kovanice, ključevi, čavli, vijci ili drugi mali metalni predmeti koji mogu spojiti jedan pol na drugi. Kratki spoj polova baterije može izazvati opekotine ili požar.
  - Nemojte držati bateriju i punjač za bateriju na mokrim i vlažnim mjestima.
  - Proizvod koristite isključivo s baterijama specificiranim u ovom korisničkom priručniku. Korištenje bilo kojih drugih baterija dovodi do opasnosti od ozljeda i požara.
  - Pod uvjetima loma može doći do izbacivanja tekućine iz baterije, izbjegavajte kontakt. Ako dođe do nehotičnog kontakta, isperite to mjesto s vodom. Ako tekućina dospije u oči, odmah potražite liječničku pomoć. Tekućina koja istječe iz baterije može dovesti do iritacije ili opekotina.
  - Baterija ima problem pregrijavanja. Prekomjerne temperature uzrokuju da baterija prestane napajati alat. Ako je baterija prevruća, pustite je da se ohladi prije nego što nastavite s radom. Ako alat i dalje ne radi, napunite bateriju.
- NAPOMENA:** LED pokazivač baterije neće raditi ako je značajka zaštite baterije dovela



do prekida napajanja alata. Otpustite gumb za uključivanje/isključivanje ili izvadite bateriju iz proizvoda i LED pokazivač stanja baterije će nastaviti s normalnim radom.

#### **▲ UPOZORENJE**

Proizvod ne prskajte vodom. Tako možete oštetiti baterijski sklop.

#### **▲ UPOZORENJE**

Zbog izbjegavanja opasnosti od požara jednim kratkim spojem, opasnosti od ozljeda ili oštećenja proizvoda, alat, izmjenjivi akumulator ili napravu za punjenje ne uronjavati u tekućine i pobrinite se za to, da u uređaje ili akumulator ne prodiru nikakve tekućine. Korozirajuće ili vodljive tekućine kao slana voda, određene kemikalije i sredstva za bijeljenje ili proozvodi koji sadrže sredstva bijeljenja, mogu prouzročiti kratak spoj.

#### **OSTALE OPASNOSTI**

Čak i kad je proizvod korišten kao što je prethodno opisano, još uvijek nije moguće potpuno isključiti ostale čimbenike opasnosti. Može doći do sljedećih opasnosti tijekom korištenja i operater mora obratiti posebnu pozornost kako bi izbjegao sljedeće:

- Ozljede uzrokovane vibracijom
  - Držite proizvod za označene ručke i ograničite radno vrijeme i izloženost.
- Ozljeda prouzročena letećim krhotinama.
  - Cijelo vrijeme nosite sredstva za zaštitu očiju.
- Ozljede uzrokovane bukom
  - Nosite zaštitu za sluh i ograničite izloženost

#### **SMANJENJE OPASNOSTI**

Prijavljeno je da vibracije alata koje se drži u ruci kod određenih pojedinaca mogu doprinijeti stanju pod nazivom Raynaud's Syndrome. Simptomi mogu uključivati trnce, ukočenost i bjelinu prstiju, obično uočljivo po izlaganju hladnoći. Smatra se da nasljedne osobine, izlaganje hladnoći i vlazi, dijeta, pušenje i radni postupci pridonose razvoju ovih simptoma. Postoje mjere koje operator može poduzeti kako bi smanjio moguće učinke vibracije:

- Održavajte svoje tijelo toplim u hladnim vremenskim uvjetima. Kad radite s proizvodom nosite rukavice kako biste ruke i zglobove održavali toplima. Prijavljeno je da je hladnoća glavni čimbenik koji doprinosi Raynaud's Syndrome.
- Nakon svakog perioda rada vježbajte kako biste povećali cirkulaciju krvi.
- Uzimajte česte stanke u radu. Ograničite količinu izlaganja po danu.

Ako osjetite neke od simptoma ovog stanja, odmah prekinite korištenje i obratite se svome liječniku vezano uz ove simptome.

#### **▲ UPOZORENJE**

Povrede mogu biti uzrokovane ili zadobivene produljenim korištenjem alata. Kada koristite bilo koji alat dulje vremena, osigurajte da uzimate povremene stanke.

#### **PRIJEVOZ I SKLADIŠTENJE**

- Zaustavite proizvod, izvadite bateriju i pustite proizvod da se ohladi. Prije skladištenja ili transporta odspojite proizvod s dovoda vode.
- Prije pohrane i skladištenja proizvoda izbacite vodu iz svih crijeva i pumpe, te ispraznite spremnik sa sredstvom za pranje.
- Uredno namotajte crijevo sifona i čuvajte ga zajedno s električnim peraćem.
- Očistite svaki strani materijal s uređaja. Čuvajte na hladnom, suhom i dobro prozračivanom mjestu bez opasnosti od smrzavanja i izvan dohvata djece. Proizvod ne čuvajte pokraj pećnice ili ostalih izvora topline koji bi mogli isušiti brtve pumpe. Držite proizvod podalje od korozivnih sredstva kao što su vrtno kemikalije i soli protiv zaleđivanja. Proizvod ne čuvajte na otvorenom.
- Za prijevoz, osigurajte uređaj protiv pomicanja ili pada kako biste spriječili povrede osoba ili oštećenja na uređaju.

#### **▲ UPOZORENJE**

Proizvod pohranjujte isključivo u zatvorenim prostorima. Pohranjivanje proizvoda na temperaturama nižim od 0° će oštetiti proizvod.

## TRANSPORTIRANJE LITIJUMSKIH BATERIJA

Transportirajte bateriju u skladu s lokalnim i nacionalnim pravima i zakonima.

Slijedite sve specijalne zahtjeve na pakiranju i naljepnicama prilikom transporta baterije od treće strane. Osigurajte da baterija ne može doći u kontakt s drugim baterijama ili provodnim materijalima tijekom transporta tako da zaštitite izložene priključke s izolacijom, kapticama koje ne provode energiju ili trakom. Nemojte transportirati baterije koje su polomljene ili cure. Provjerite kod kompanije koji transportirate za daljnju pomoć.

## ODRŽAVANJE

### ⚠ UPOZORENJE

Koristite samo originalne zamjenske dijelove, dodatni pribor i priključke od proizvođača. Nepoštivanje ovih uputa može dovesti do mogućih ozljeda, loše učinkovitosti i može dovesti do poništenja jamstva.

### ⚠ UPOZORENJE

Servisiranje iziskuje krajnju pažnju i znanje i treba da ga vrši samo kvalificirani serviser. Neka se proizvod servisira samo u ovlaštenom servisnom centru. Prilikom servisiranja, koristite samo originalne zamjenske dijelove od proizvođača.

- Zaustavite proizvod, izvadite bateriju i pustite proizvod da se ohladi. Proizvod isključite s dovoda vode prije:
  - čistite svoj proizvod
  - održavanja proizvoda
  - zamjene rezervnih dijelova
- Možete samo vršiti podešavanje ili popravke opisane u ovom manualu. Za ostale popravke ili savjete, potražite pomoć ovlaštenog servisnog centra.
- Za siguran i pouzdan rad redovito provjeravajte i održavajte proizvod. Uvjerite se da je odjeljak za baterije pravilno sastavljen, dobro zatvoren i često provjeravajte ima li na njemu oštećenja. Svaki oštećeni dio trebao bi pravilno popraviti ili zamijeniti ovlašteni servisni centar.

## UPOZNAJTE SVOJ PROIZVOD

Pogledajte stranicu 131.

1. „3-u-1” mlaznica
2. Otpusni gumb
3. Koplje za raspršivanje
4. Gumb za blokiranje
5. Zasun
6. Odjeljak za bateriju
7. Rukohvat
8. Okidač
9. Ulaz vode
10. Plovak
11. Filtar
12. Crijevo sifona
13. Brzi konektor

## SIMBOLI NA PROIZVODU



Upozorenje



Kako bi se smanjila opasnost od ozljeda, prije korištenja ovog proizvoda korisnik mora pročitati i shvatiti ove upute za korištenje.



Nosite zaštitu za vid i sluh.



Kako biste smanjili rizik od ozljeda zbog mlaza visokog tlaka, nemojte usmjeravati mlaz izravno u ljude ili životinje.



Odbačaj. Kako biste smanjili rizik od ozljeda zbog povratnog udara, dok je proizvod uključen dršku s okidačem držite čvrsto, s obje ruke.



Proizvod nije pogodan za spajanje na dovod pitke vode bez montaže uređaja za sprečavanje povratnog toka.



Nikada nemojte uperiti cijev prema ljudima, životinjama, tijelu stroja, dovodu električne energije ili električnim uređajima.



Opasnost od pucanja





Ovaj alat usklađen je sa svim normama i propisima zemlje Europske unije u kojoj je kupljen.



EurAsian znak konformnosti



Ukrajinska oznaka za sukladnost



Otpadni električni proizvodi ne treba da se odlažu s otpadom iz domaćinstva. Molimo da reciklirate gdje je to moguće. Potražite savjet od lokalnih vlasti ili prodavca kako reciklirati.

## SIMBOLI U OVOM PRIRUČNIKU



Dijelovi ili pribor prodan odvojeno



Napomena



Upozorenje

Slijedeće riječi upozorenja i značenja imaju namjeru da objasne nivo rizika u vezi s ovim proizvodom.

### **OPASNOST**

Ukazuje na neposrednu opasnu situaciju, koja, ukoliko se ne izbjegne, može rezultirati smrću ili opasnim povredama

### **UPOZORENJE**

Ukazuje na moguću opasnu situaciju, koja, ukoliko se ne izbjegne, može rezultirati smrću ili opasnim povredama

### **UPOZORENJE**

Ukazuje na moguću opasnu situaciju, koja, ukoliko se ne izbjegne, može rezultirati manjim ili blažim povredama

### **UPOZORENJE**

Bez sigurnosnog simbola upozorenja  
Naznačuje situaciju koja može rezultirati oštećenjem imovine.

Brezžični visokotlačni čistilec je zasnovan za zagotavljanje najvišje ravni varnosti, učinkovitosti in zanesljivosti delovanja.

### NAMEN UPORABE

Brezžični visokotlačni čistilec je predviden samo za zunanjo uporabo.

Izdelek je namenjen za domačo uporabo. Namenjen je čiščenju vrtnega pohištva, oken, avtomobilov in čolnov z odstranitvijo trdovratne umazanije s čisto vodo in čistilnim sredstvom ali brez njega.

Izdelek je treba uporabljati v dobro osvetljenem okolju.

Za druge namene ga ne uporabljajte.

### ⚠ OPOZORILO

Izdelek je zasnovan za uporabo z nevtralnimi čistilnimi sredstvom, ki ga dobavi ali priporoči proizvajalec. Uporaba drugih čistilnih sredstev ali kemikalij lahko škodljivo vpliva na varnost izdelka.

### SPLOŠNA VARNOSTNA OPOZORILA

### ⚠ OPOZORILO

**Preberite vsa varnostna opozorila in navodila.** Zaradi neupoštevanja opozoril in navodil lahko pride do električnega udara, požara in/ali resnih poškodb.

### ⚠ POZOR

Izdelka se ne sme uporabljati na vodovodu za pitno vodo brez nameščene zapore povratnega toka, ki je v skladu s standardom EN 12729, tipom BA. Voda, ki teče skozi zaporo povratnega toka, ni pitna. Izdelka ni dovoljeno priklopiti na dovod vode.

- Izdelek ni namenjen za uporabo s strani otrok ali oseb z zmanjšanimi fizičnimi, čutnimi ali duševnimi sposobnostmi oziroma nezadostnimi izkušnjami in znanjem. Otroke nenehno primerno nadzorujte, da se ne bodo igrali z napravo.
- Med uporabo izdelka nosite sebnostno zaščitno opremo, kot so zaščitna očala in oprema za zaščito sluha.

- Za zmanjšanje nevarnosti poškodb naj se otroci in opazovalci ne zadržujejo v bližini. Vsi opazovalci morajo nositi zaščitna očala in ostati na varni razdalji od delovnega območja.
- Preverite, ali so varnostne naprave v dobrem delovnem stanju. Pred vsako uporabo se prepričajte, da vse varnostne naprave pravilno delujejo:
  - Ročaj
    - Na ročaju je držalna površina, ki zagotavlja dodaten nadzor nad škropilno palico in pomaga zmanjšati utrujenost.
  - Zaklepni gumb
    - Zaklepni gumb zaklene sprožilec stikala in preprečuje nenamerno odpiranje visokotlačnega curka.
- Če so poškodovani pomembni deli, kot so varnostne naprave ali škropilna palica, izdelka ne uporabljajte.

### ⚠ OPOZORILO

Med uporabo visokotlačnih čistilcev lahko nastajajo aerosoli. Vdihavanje aerosolov lahko škoduje zdravju.

### ⚠ OPOZORILO

Med potegovanjem sprožilca ne vrtite šobe. Če šobo zavrtite medtem, ko skozi teče voda, se ta sprosti skozi sprostilni kanal. To ne pomeni, da izdelek pušča, ampak gre za zagotovitev, da voda lahko odteče ne da bi poškodovala orodje.

- Visokotlačni curek je lahko ob napačni uporabi nevaren. Curka ne usmerjajte v osebe, električno opremo pod napetostjo ali sam izdelek.
- Za preprečitev nevarnosti eksplozije ne škropite vnetljivih tekočin.
- Ne čistite oblačil ali obuval tako, da bi curek usmerili vase ali v druge osebe.
- Cevi, pritrdilni elementi in spojke so pomembni za varnost izdelka. Uporabljajte izključno gibke cevi, pritrdila in spojke, ki jih priporoča proizvajalec.
- Predpisi nekaterih regij omejujejo uporabo tega izdelka. Za nasvet se obrnite na lokalne oblasti.



- Pred vsako uporabo preverite, ali je izdelek poškodovan. Poškodovane cevi je treba takoj zamenjati. Poskrbite, da so vsi priključki, kot sta škropilna palica in šoba, dobro pritrjeni. Gibko cev pravilno odvijte, da preprečite pregibanje in nastajanje zank.
- Pred čiščenjem zaprite vrata in okna. Iz območja, ki ga želite očistiti, odstranite grušč, igrače, zunanje pohištvo ali druge predmete, ki bi lahko povzročili nevarnost.
- Izdelka ne uporabljajte pri temperaturah, nižjih od 0 °C.
- V izdelku ne uporabljajte kislin, alkalnih sredstev, topil, vnetljivega materiala, belil ali industrijskih raztopin. Ti izdelki lahko povzročijo telesne poškodbe uporabnika in nepopravljive poškodbe izdelka.

### ⚠ OPOZORILO

Visokotlačni curek je lahko ob napačni uporabi nevaren. Curka se ne sme usmerjati v osebe, živali, električne naprave ali sam izdelek.

- Ročaj trdno držite z obema rokama. Ob potegu sprožilca pričakujte premik ročaja zaradi povratne sile. Če tega ne pričakujete, lahko izgubite nadzor in poškodujete sebe ter druge.
- Bodite previdni, da vam ne spodrsne in ne padete.
- Pazite na ravnotežje in ne pretiravajte. Nesiahajte preliš daleko. Pretiravanje lahko povzroči izgubo ravnotežja.
- Ko je izdelek priključen na baterijski vložek, ga nikoli ne pustite brez nadzora. Izdelek izklopite in ga zapustite šele, ko se povsem ustavi. Ko je izdelek pod napetostjo, ga hranite izven dosega otrok.
- Seznanite se z upravljanjem. Naučite se, kako ustavite izdelek in hitro sprostite tlak.
- Bodite pozorni in imejte nadzor. Bodite pozorni kaj delate in uporabljajte občutek.
- Ne uporabljajte izdelka, če ste utrujeni, bolni ali pod vplivom drog, alkohola ali zdravil. Trenutek nepazljivosti med uporabo izdelka lahko privede do resnih telesnih poškodb.
- Ne uporabljajte izdelka, če se ga s stikalom ne da vklopiti ali izklopiti. Izdelek, ki ga ni

mogoče upravljati s stikalom, je nevaren in ga je potrebno popraviti.

- Med čiščenjem vozil vzdržujte najmanjšo razdaljo 30 cm. Visokotlačni curek lahko poškoduje ali preluknja pnevmatike vozil in/ali ventile pnevmatik.
- Če je izdelek padel, na njem obstajajo vidni znaki poškodb ali pušča, ga ne smete uporabljati.

### VARNOSTNA OPOZORILO GLEDE AKUMULATORJA

- Akumulator polnite samo s polnilcem, ki ga predpiše proizvajalec. Polnilnik, ki ustreza eni vrsti baterij, morda lahko povzroči požar, če z njim polnite drugo vrsto baterij.
  - Ko baterije ne uporabljajte, pazite, da bo odmaknjena od kovinskih predmetov, kot so papirne sponke, kovanci, ključji, žebliji, vijaki ali drugih majhni kovinski predmeti, ki bi lahko povzročili povezavo med obema terminaloma. Kratek stik zaradi povezanih terminalov baterije lahko povzroči opekline ali požar.
  - Akumulatorja in polnilca ne postavljajte na vlažna mesta.
  - Izdelek uporabljajte izključno z akumulatorji, navedenimi v tem priložniku. Uporaba katerih koli drugih baterij ustvari tveganje poškodb in požara.
  - Ob zlorabi baterije lahko iz nje steče tekočina. Če se po nesreči dotaknete tekočine, mesto dotika sperite z vodo. Če pride tekočina v stik z očmi, nemudoma poiščite zdravstveno pomoč. Tekočina, ki izteče iz baterije, lahko povzroči vnetje ali opekline.
  - Baterija ima zaščito proti pregrevanju. Prekomerne temperature bodo povzročile, da bo baterija orodje prenehalo napajati. Potipajte akumulator. Če je ta vroč, pred nadaljevanjem dela počakajte, da se ohladi. Če orodje še vedno ne deluje, je baterijo treba napolniti.
- OPOMBA:** Indikatorna lučka LED za baterijo ne deluje, če je zaščitna funkcija baterije povzročila prekinitve napajanja orodja. Sprostite gumb za vklop/izklop ali iz izdelka odstranite akumulator, pri čemer LED-lučka akumulatorja znova sveti kot običajno.



### ⚠ OPOZORILO

Izdelka ne škropite z vodo. S tem lahko poškodujete baterijski vložek.

### ⚠ OPOZORILO

V izogib, s kratkim stikom povzročene nevarnosti požara, poškodb ali okvar na proizvodu, orodja, izmenljivega akumulatorja ali polnilne naprave ne potaplajte v tekočine in poskrbite, da ne bo prihajalo do vdora tekočin v naprave in akumulatorje. Korozivne ali prevodne tekočine, kot so slana voda, določene kemikalije in belila ali proizvodi, ki le ta vsebujejo, lahko povzročijo kratek stik.

### REZIDUALNA TVEGANJA

Tudi če izdelek uporabljate tako, kot je predpisano, še vedno ne moremo izključiti določenih preostalih dejavnikov tveganja. Med uporabo se lahko pojavijo naslednje nevarnosti, upravljavec pa naj bo pozoren na naslednje:

- Poškodbe zaradi vibracij
  - Izdelek držite za temu namenjene ročaje ter omejite čas uporabe in izpostavljenosti.
- Obstaja nevarnost poškodbe zaradi letečih delcev.
  - Vedno nosite zaščito za oči.
- Poškodbe, ki jih povzroči hrup
  - Nosite zaščito za sluh in omejite izpostavljenost

### ZMANJŠANJE TVEGANJA

Ugotovljeno je bilo, da lahko pri nekaterih posameznikih vibracije ročnih orodij povzročijo Raynaudov sindrom. Simptomi so lahko mravljinca, otrplost in pobledele prsti, kar je običajno vidno, kadar je oseba izpostavljena mrazu. Dedni dejavniki, izpostavljenost mrazu in vlagi, dieta, kajenje in delovne navade naj bi pripomogle k razvoju teh simptomov. Za zmanjšanje učinkov vibracij lahko upravljavec upošteva naslednja navodila:

- Poskrbite, da bo vaše telo na mrazu toplo. Med upravljanjem nosite rokavice in tako ohranjajte toploto vaših dlani in zapestij. Kot poročajo, je mraz glavni dejavnik, ki prispeva k Raynaudovemu sindromu.

- Po vsakem obdobju upravljanja naprave telovadite in tako pospešite krvni obtok.
- Pogosto si vzemite odmor. Omejite dnevno količino izpostavljenosti.

Če zaznavate kakršne koli simptome takšnega stanja, takoj prenehajte z uporabo naprave in se o simptomih posvetujte z zdravnikom.

### ⚠ OPOZORILO

Daljša uporaba orodja lahko privede do poškodb ali pa so poškodbe lahko hujše. Kadar orodje uporabljate dalj časa, si večkrat vzemite odmor.

### TRANSPORT IN SHRANJEVANJE

- Ustavite izdelek, odstranite akumulator in počakajte, da se izdelek ohladi. Izdelek pred shranjevanjem ali prevozom izklopite iz vodovodnega priključka.
- Pred shranjevanjem izdelka odstranite vodo iz vseh cevi in črpalke ter izpraznite rezervoar za čistilno sredstvo.
- Sifonsko cev lepo zvijte in jo shranite skupaj z visokotlačnim čistilnikom.
- Očistite vse tujke z izdelka. Shranite ga na hladno, suho in dobro prezračevano mesto, ki je zavarovano pred zmrzaljo in nedostopno otrokom. Izdelka ne shranjujte blizu peči ali drugih virov toplote, ki bi lahko izsušili tesnila črpalke. Shranjujte proč od korozivnih sredstev, kot so vrtno kemikalije in soli za topljenje ledu. Izdelka ne shranjujte na prostem.
- Za transport zavarujte izdelek pred premiki ali padci, da preprečite poškodbe oseb ali izdelka.

### ⚠ OPOZORILO

Izdelek shranjujte izključno v zaprtih prostorih. Ob shranjevanju pri temperaturah, nižjih od 0°, se izdelek poškoduje.

### PRENAŠANJE LITIJEVH BATERIJ

Baterije prevažajte v skladu z lokalnimi in državnimi uredbami in predpisi.

Upošteвайте vse posebne zahteve glede pakiranja in označevanja, kadar prevoz opravlja tretja oseba. Zagotovite, da baterije med prevozom ne morejo priti v stik z drugimi

baterijami ali prevodnimi materiali tako, da zaščitite izpostavljene konektorje z izolacijo, neprevodnimi pokrovčki ali trakom. Ne prevažajte poškodovanih baterij oz. baterij, ki puščajo. Za nadaljnje informacije se obrnite na posredovalno podjetje.

8. Gumb sprožilca
9. Vodni dotok
10. Plovec
11. Filter
12. Sifonska gibka cev
13. Hitri priključek

- EN
- FR
- DE
- ES
- IT
- NL
- PT
- DA
- SV
- FI
- NO
- RU
- PL
- CS
- HU
- RO
- LV
- LT
- ET
- HR
- SL**
- SK
- BG
- UK
- TR

## VZDRŽEVANJE

### ⚠ OPOZORILO

Uporabljajte le originalne rezervne dele in dodatke, ki jih priporoča proizvajalec. V nasprotnem primeru naprava lahko slabo deluje, povzroči poškodbe, garancija pa ne velja več.

### ⚠ OPOZORILO

Servisiranje zahteva posebno pozornost in znanje in naj jo zato opravlja samo izurjeni servisni tehnik. Izdelek naj servisirajo izključno v pooblaščenem servisnem centru. Pri servisiranju uporabljajte samo originalne nadomestne dele.

- Ustavite izdelek, odstranite akumulator in počakajte, da se izdelek ohladi. Izdelek izklopite iz vodovodnega priključka pred naslednjimi opravili:
  - čiščenje izdelka
  - vzdrževanje izdelka
  - nameščanje rezervnih delov
- Opravite lahko samo tukaj navedene prilagoditve ali popravila. Za druga popravila ali nasvete se posvetujte s pooblaščenim storitvenim centrom.
- Izdelek redno pregledujte in vzdržujte, da zagotovite varno delovanje. Poskrbite, da je prostor za baterijo pravilno sestavljen in tesno zaprt; redno preverjajte, ali je poškodovan. Vsak poškodovani del mora ustrezno popraviti ali zamenjati pooblaščen servisni center.

## SPOZNAJTE SVOJ IZDELEK

Glejte stran 131

1. Šoba 3-v-1
2. Gumb za sprostitev
3. Škropilna palica
4. Zaklepni gumb
5. Zapah
6. Prostor za baterijo
7. Ročaj

## SIMBOLI NA IZDELKU



Opozorilo



Za zmanjšanje nevarnosti poškodb si preberite in osvojite vsebino navodil, preden izdelek uporabite.



Nosite zaščito za oči in ušesa.



Za zmanjšanje nevarnosti poškodb zaradi visokotlačnega brizganja ne usmerjajte curka neposredno v osebe ali živali.



Povratni udarec. Za zmanjšanje nevarnosti poškodb zaradi povratnega udarca sprožilno ročico medtem, ko je izdelek vklopljen, trdno držite z obema rokama.



Izdelek ni primeren za priključitev na vodovod za pitno vodo brez naprave za preprečevanje povratnega toka.



Škropilne palice nikoli ne usmerjajte v osebe, živali, stroje, napajalne naprave ali električne naprave.



Nevarnost izbruha



Ustreza vsem predpisanim standardom v državi članici EU, kjer je bil kupljen izdelek.



EurAsian oznaka o skladnosti



Ukrajinska oznaka za skladnost



Odpadne električne izdelke odlagajte skupaj z ostalimi gospodinjskimi odpadki. Reciklažo opravljajte na predpisanih mestih. Za reciklažni nasvet se obrnite na lokalne oblasti.

## SIMBOLI V TEM PRIROČNIKU



Deli ali dodatki so na prodaj ločeno



Opomba



Opozorilo

Sledeče signalne besede in pomeni naj bi pojasnili ravni tveganja, ki so povezane s tem izdelkom.

### **NEVARNOST**

Označuje neizbežno tvegano stanje, ki če se ji ne izognete lahko povzroči smrt ali resno poškodbo.

### **OPOZORILO**

Označuje morebitno tvegano stanje, ki če se ji ne izognete lahko povzroči smrt ali resno poškodbo.

### **POZOR**

Označuje morebitno tvegano stanje, ki če se mu ne izognete lahko povzroči manjšo ali srednje resno poškodbo.

### **POZOR**

Brez simbola za varnostno opozorilo  
Prikazuje situacijo, ki lahko povzroči materialno škodo.

Bezpečnosť, efektivita a spoľahlivosť boli prvoradá pri navrhovaní vašej elektrickej akumulátorovej umývačky.

## ÚČEL POUŽITIA

Elektrická akumulátorová umývačka je určená len na použitie vonku.

Tento produkt je určený na domáce použitie. Je určená na čistenie záhradného nábytku, okien, automobilov, člnov odstraňovaním odolných nečistôt pomocou čistej vody s čistiacim prostriedkom alebo bez neho.

Tento výrobok sa musí používať na dobre osvetlených miestach.

Nepoužívajte na žiadne iné účely.

## VAROVANIE

Tento výrobok je určený na použitie s neutrálnym čistiacim prostriedkom, dodaným alebo odporučeným výrobcom. Použitie iných čistiacich prostriedkov alebo chemikálií môže mať nepriaznivý vplyv na bezpečnosť výrobku.

## VŠEOBECNÉ BEZPEČNOSTNÉ VÝSTRAHY

### VAROVANIE

**Prečítajte si všetky bezpečnostné výstrahy a pokyny.** Pri nedodržaní týchto výstrah a pokynov môže dôjsť k úrazu elektrickým prúdom, požiaru a/alebo závažnému poraneniu.

### VÝSTRAHA

Tento výrobok nesmie byť pripojený k prívodu pitnej vody bez nainštalovaného spätného ventilu, ktorý zodpovedá norme EN 12729 typ BA. Voda, ktorá pretečie spätným ventilom, sa už viac nepovažuje za pitnú vodu. Výrobok sa nesmie pripájať k prívodu vody.

- Výrobok nie je určený na to, aby ho používali deti alebo osoby so zníženými fyzickými, zmyslovými alebo duševnými schopnosťami alebo s chýbajúcimi skúsenosťami a vedomosťami. Deti musia byť pod primeraným dozorom, aby sa nemohli s produktom hrať.

- Pri používaní výrobku noste osobné ochranné prostriedky, ako sú bezpečnostné okuliare a ochrana sluchu.
- Aby ste znížili riziko úrazu, udržiavajte deti a okolostojace osoby v bezpečnej vzdialenosti. Všetky okolostojace osoby musia používať bezpečnostné okuliare a musia byť v bezpečnej vzdialenosti od pracoviska.
- Skontrolujte bezpečnostné zariadenia, či sú v dobrom prevádzkovom stave. Pred každým použitím sa uistite, že všetky bezpečnostné zariadenia pracujú správne:
  - Rúčka držadla
    - Rúčka držadla má povrch na držanie, ktorý poskytuje zvýšenú kontrolu postrekovacej tyčky a pomáha redukovať únavu.
  - Blokovacie tlačidlo
    - Blokovacie tlačidlo zaisťuje spúšťač a zabraňuje náhodnému otvoreniu vysokotlakového prúdu vody.
- Nepoužívajte tento výrobok, ak sú poškodené jeho dôležité časti, ako sú bezpečnostné zariadenia alebo postrekovacia tyčka.

### VAROVANIE

Počas používania elektrických umývačiek sa môžu tvoriť aerosóly. Vdychovanie aerosólov môže byť nebezpečné pre zdravie.

### VAROVANIE

Pri ťahaní spúšťača neotáčajte dýzu. Ak po otočení dýzy vyteká voda, uvoľňovací kanál uvoľní vodu. Nejde o unikanie, no o umožnenie vypustenia vody bez poškodenia náradia.

- Vysokotlakový prúd je nebezpečný pri nesprávnom používaní. Prúd vody nesmerujte na osoby, elektrické zariadenia pod napätím alebo na samotné zariadenie.
- Aby ste zabránili nebezpečenstvu výbuchu, nikdy nerozstrekujte horľavé kvapaliny.
- Prúd nesmerujte na seba ani na iné osoby, aby ste očistili odev alebo obuv.
- Hadice, armatúry a spojky majú veľký význam z hľadiska bezpečnosti výrobku. Používajte výhradne vysokotlakové hadice, armatúry a spojky odporúčané výrobcom.



- Niektoré regióny majú nariadenia, ktoré obmedzujú použitie produktu. Poradte sa s miestnym úradom.
- Pred každým použitím skontrolujte výrobok, či nie je poškodený. Poškodené hadice treba okamžite vymeniť. Skontrolujte, že všetky pripojenia, ako je postrekovacia tyčka a dýza, sú zaistené. Odmotávajte hadicu správne, aby nedochádzalo k jej skrúteniu alebo zalomeniu.
- Pred spustením akéhokoľvek čistenia zatvorte dvere a okná. Odstráňte z miesta, ktoré sa chytáte vyčistiť úlomky, hračky, záhradný nábytok alebo iné predmety, ktoré by mohli predstavovať nebezpečenstvo.
- Nepoužívajte výrobok pri teplotách nižších ako 0 °C.
- Nepoužívajte v tomto výrobku kyseliny, zásady, rozpúšťadlá, horľavé materiály, bieliadlá, alebo priemyselné roztoky. Tieto látky môžu spôsobiť telesné zranenie obsluhy a nezvratné škody na zariadení.

#### **⚠ VAROVANIE**

Vysokotlakový prúd vody môže byť pri nebezpečný, ak sa používa nesprávne. Prúd vody nesmie byť nasmerovaný na osoby, zvieratá, elektrické zariadenia a na výrobok samotný.

- Držte rukoväť pevne obidvomi rukami. Očakávajte spätný pohyb rukoväti pri stlačení spúšťača, ako dôsledok reakčných síl. Neočakávaný spätný pohyb môže spôsobiť stratu kontroly a zranenie vás alebo iných osôb.
- Dávajte pozor, aby ste sa nepošmykli alebo nespadli.
- Udržujte bezpečný postoj a rovnováhu. Nepreťažujte sa. Preceňovanie sa môže spôsobiť stratu rovnováhy.
- Kým je výrobok pripojený k akumulátoru, nikdy ho nenechávajte bez dozoru. Výrobok vypnite a zanechajte ho až po jeho úplnom zastavení. Výrobok pripojený k zdroju napájania uchovávajte mimo dosahu detí.
- Zoznámte sa s ovládacími prvkami. Naučte sa, ako zastaviť výrobok a rýchlo vypustiť tlak.
- Buďte ostražití a vykonávajte kontrolu. Sledujte, čo robíte a používajte zdravý rozum.
- Výrobok nepoužívajte, ak ste unavení, chorí alebo pod vplyvom drog, alkoholu či liekov. Chvíľa nepozornosti počas obsluhy produktu môže spôsobiť závažné osobné poranenie.
- Nepoužívajte zariadenie, ak ho spínač nezapína a nevypína. Produkt, ktorý sa nedá ovládať spínačom, je nebezpečný a musí sa dať opraviť.
- Pri čistení vozidla dodržiavajte minimálnu vzdialenosť 30 cm. Vysokotlakový prúd vody môže poškodiť alebo spôsobiť popraskanie pneumatík vozidla alebo poškodiť ventily na pneumatikách.
- Tento výrobok sa nesmie používať, ak spadol, vykazuje viditeľné známky poškodenia alebo ak z neho uniká voda.

#### **BEZPEČNOSTNÉ VÝSTRAHY PRE SÚPRAVU BATÉRIÍ**

- Súpravu batérií nabíjajte len nabíjačkou, ktorú uvádza výrobca. Nabíjačka, ktorá je vhodná pre jeden typ jednotky akumulátora, môže pri použití s inou jednotkou akumulátora spôsobiť riziko požiaru.
- Keď sa jednotka akumulátora nepoužíva, nedávajte ju do blízkosti iných kovových objektov, ako sú papierové sponky, mince, kľúče, klince, skrutky či iné malé kovové predmety, ktoré by mohli skratovať svorky. Pri skratovaní svoriek akumulátora môže dôjsť k popáleninám alebo požiaru.
- Uchovávajte súpravu batérií a nabíjačku mimo vlhkého prostredia.
- Používajte tento výrobok iba so súpravami batérií, ktoré sú uvedené v tomto návode. Pri použití iných jednotiek akumulátora vzniká riziko poranenia a požiaru.
- Za nevhodných podmienok, keď by z batérie vytekala kvapalina, predchádzajte kontaktu s ňou. Pri náhodnom kontakte opláchnite vodou. Ak tekutina zasiahne oči, bezodkladne vyhľadajte lekársku pomoc. Tekutina vytečená z akumulátora môže spôsobiť podráždenie alebo popáleniny.
- Jednotka akumulátora má ochranu pred prehriatím. Nadmerné teploty spôsobia, že akumulátor prestane napájať nástroj. Ohmatajte súpravu batérií. Ak je príliš horúca, nechajte ju vychladnúť pred opätovným uvedením do prevádzky. Ak nástroj napriek tomu nefunguje, dobite akumulátor.







**POZNÁMKA:** Indikátor LED jednotky akumulátora nebude fungovať, pokiaľ funkcia ochrany akumulátora spôsobila prerušenia napájania nástroja z jednotky akumulátora. Vypnite tlačidlo on-off (zapnúť-vypnúť) alebo vyberte súpravu batérií z výrobu a LED indikátor stavu súpravy batérií obnoví normálnu funkciu.

#### **VAROVANIE**

Na výrobok nestriekajte vodu. Môže sa poškodiť akumulátor.

#### **VAROVANIE**

Aby ste zabránili nebezpečenstvu požiaru spôsobeného skratom, poraniam alebo poškodeniam výrobku, neponárajte náradie, výmennú batériu alebo nabíjačku do kvapalín a postarajte sa o to, aby do zariadení a akumulátorov nevnikli žiadne tekutiny. Korodujúce alebo vodivé kvapaliny, ako je slaná voda, určité chemikálie a bieliace prostriedky alebo výrobky, ktoré obsahujú bielicidlo, môžu spôsobiť skrat.

#### **ZVÝŠKOVÉ RIZIKÁ**

Aj keď sa nástroj používa podľa predpisu, nie je možné eliminovať určité zvyškové rizikové faktory. Pri použití vznikajú nasledujúce riziká a obsluhujúca osoba musí venovať zvláštnu pozornosť, aby nedošlo k nasledovnému:

- Zranenie spôsobené vibráciami
  - Produkt držte za rukoväť na to určené a obmedzte pracovný čas a expozíciu.
- Poranenie spôsobené vyletujúcimi úlomkami.
  - Neustále používajte ochranu zraku.
- Zranenie spôsobené hlukom
  - Používajte ochranu sluchu a obmedzte expozíciu

#### **OBMEDZENIE RIZIKA**

Boli hlásené prípady, kedy vibrácie z ručných nástrojov u niektorých osôb prispeli k stavu nazývanému Raynaudov syndróm. K symptómom patria: trpnutie, znečitlivenie a blednutie prstov, zvyčajne zjavné po vystavení zime. Je známe, že k vývoju týchto symptómov prispievajú: dedičné faktory, vystavovanie zime a vlhkosti, diéta, fajčenie a pracovné návyky. Opatrenia, ktoré

môže vykonať obsluhujúca osoba na možné zníženie účinkov vibrácií:

- V studenom počasí udržiavajte svoje telo v teple. Pri práci s produktom noste rukavice, aby ste mali ruky a zápästia v teple. Boli hlásené prípady, kedy hlavným faktorom prispievajúcim k Raynaudovmu syndrómu bolo studené počasie.
- Po každom určitom časovom úseku prevádzky cvičte, aby ste zlepšili krvný obeh.
- Počas práce si doprajte časté prestávky. Obmedzte počet vystavení za deň.

Ak zistíte ktorýkoľvek zo symptómov tohto stavu, okamžite prerušte používanie zariadenia, navštívte svojho lekára a povedzte mu o symptómoch.

#### **VAROVANIE**

Pri dlhodobom alebo zvýšenom používaní môže dôjsť k zraneniam. Pri používaní nástroja príliš dlhé obdobia si vždy doprajte pravidelné prestávky.

#### **PREPRAVA A SKLADOVANIE**

- Zastavte výrobok, vyberte súpravu batérií a nechajte výrobok vychladnúť. Pred uskladnením alebo prepravou odpojte výrobok od prívodu vody.
- Odstráňte vodu zo všetkých hadíc a čerpadla a vyprázdňte nádržku na čistiaci prostriedok pred uskladnením výrobku.
- Úhľadne zviňte násoskovú hadicu a uskladnite s elektrickou umývačkou.
- Odstráňte zo zariadenia všetky cudzie materiály. Uskladnite ho na suchom, dobre vetranom, mieste chránenom pred mrazom, do ktorého nemajú prístup deti. Výrobok neskladujte blízko pece ani iných zdrojov tepla, ktoré by mohli vysušiť tesnenia čerpadla. Nedávajte zariadenie do blízkosti koróznych činidiel, ako sú záhradné chemikálie a rozmrazovacie soli. Výrobok neuchovávajte vonku.
- Pri preprave zaistite produkt pred pohybom alebo pádom, aby nedošlo k poraneniu osôb alebo poškodeniu produktu.



## ⚠ VAROVANIE

Výrobok skladujte len vnútri. Skladovaním pri teplote pod 0° sa výrobok poškodí.

## PREPRAVA LÍTOVÝCH AKUMULÁTOROV

Akumulátory prepravujte v súlade s miestnymi smernicami a nariadeniami.

Keď akumulátory prepravuje tretia strana, dodržiavajte všetky požiadavky na balení a označení. Zabezpečte, aby počas prepravy akumulátory neprišli do kontaktu s inými akumulátormi ani vodivými materiálmi – chráňte obnažené konektory pomocou izolácie, nevodivými viečkami alebo páskou. Neprepravujte akumulátory, ktoré sú prasknuté alebo vytekajú. Ďalšie pokyny zistíte u nasledujúcej spoločnosti.

## ÚDRŽBA

### ⚠ VAROVANIE

Používajte len originálne náhradné diely, príslušenstvo a nástavce výrobcu. V opačnom prípade môže dôjsť k možnému poraneniu, nedostatočnému výkonu a strate platnosti záruky.

### ⚠ VAROVANIE

Údržba vyžaduje extrémnu starostlivosť a znalosti, a musí byť prevádzaná výhradne v autorizovanom servise. Servis výrobku zverte len autorizovanému servisnému stredisku. Pri servise používajte len originálne náhradné diely výrobcu.

- Zastavte výrobok, vyberte súpravu batérií a nechajte výrobok vychladnúť. Odpojte výrobok od prívodu vody pred:
  - čistenie produktu
  - údržbou výrobku
  - výmenou náhradných dielov
- Môžete vykonávať len úpravy alebo opravy popísané v tejto príručke. Pri ostatných opravách alebo ak potrebujete radu, vyhľadajte pomoc v autorizovanom servisnom centre.
- Pravidelne kontrolujte a vykonávajte údržbu výrobku pre jeho bezpečnú prevádzku. Priestor na akumulátor správne zmontujte, dôkladne uzavrite a pravidelne kontrolujte,

či nie je poškodený. Akýkoľvek poškodený diel sa musí náležite opraviť alebo vymeniť v autorizovanom servisnom centre.

## OBOZNÁMTE SA S VAŠÍM PRODUKTOM

Pozrite stranu 131.

1. Dýza 3 v 1
2. Tlačidlo na uvoľnenie
3. Sprejovacia tyč
4. Blokovacie tlačidlo
5. Západka
6. Priehradka na akumulátor
7. Rúčka držadla
8. Vypínač
9. Prívod vody
10. Plavák
11. Filter
12. Násosková hadica
13. Rýchlospojka

## SYMBOLY NA PRODUKTE



Varovanie

Na zníženie nebezpečenstva poranenia si musí užívateľ pred použitím tohto produktu prečítať a pochopiť návod na obsluhu.



Používajte chrániče zraku a sluchu.



Na zníženie nebezpečenstva poranenia postriekania prúdom pod vysokým tlakom, nesmerujte prúd priamo na osoby alebo zvieratá.



Spätný ráz. Aby ste znížili riziko poranenia od spätného rázu, držte rukoväť spúšťača pevne obidvomi rukami, keď je výrobok zapnutý.



Výrobok nie je vhodný na pripojenie k prívodu pitnej vody bez zariadenia na zabránenie spätného toku.



Nikdy nesmerujte striekacou tyčou na osoby, zvieratá, karosériu stroja, zdroj elektrickej energie ani žiadne elektrické spotrebiče.



Nebezpečenstvo výbuchu



Vyhovuje všetkým regulačným normám v krajine EÚ, v ktorej bol výrobok zakúpený.



Euroázijská značka zhody



Ukrajinské označenie zhody



Opotrebované elektrické zariadenia by ste nemali odhadzovať do domového odpadu. Prosíme o recykláciu ak je možné. Kontaktujte miestne úrady, alebo predajcu pre viac informácií ohľadom ekologického spracovania.

## SYMBOLY V TOMTO NÁVODE



Diely alebo príslušenstvo predávané samostatne



Poznámka



Varovanie

Nasledujúce značky a významy vysvetľujú úroveň rizika spojeným s výrobkom.

### **NEBEZPEČENSTVO**

Označuje bezprostredne nebezpečnú situáciu, ktorá môže vyústiť v smrť, alebo vážne zranenie.

### **VAROVANIE**

Označuje potenciálne nebezpečnú situáciu, ktorá môže vyústiť v smrť, alebo vážne zranenie.

### **VÝSTRAHA**

Označuje potenciálne nebezpečnú situáciu, ktorá môže vyústiť v ľahké, alebo stredne ťažké zranenie.

## VÝSTRAHA

Bez symbolu bezpečnostného alarmu  
Označuje situáciu, ktorá môže zapríčiniť  
poškodenie majetku.

EN  
FR  
DE  
ES  
IT  
NL  
PT  
DA  
SV  
FI  
NO  
RU  
PL  
CS  
HU  
RO  
LV  
LT  
ET  
HR  
SL  
**SK**  
BG  
UK  
TR

Безопасността, работните характеристики и надеждността имат най-висок приоритет при проектирането на вашата безжична електрическа водоструйка.

### ПРЕДНАЗНАЧЕНИЕ

Безжичната електрическа водоструйка е предназначена за употреба само на открито.

Този продукт е предназначен за домашна или битова употреба. Тя е предназначена за почистване на вътрешни дворове, прозорци, автомобили, лодки чрез отстраняване на упоритите замърсявания с помощта на чиста вода с или без почистващ препарат.

Продуктът трябва да се използва на добре осветени места.

Не го използвайте за никакви други цели.

### ⚠ ПРЕДУПРЕЖДЕНИЕ

Продуктът е предназначен за употреба с доставения в комплекта почистващ препарат или с друг, който също е препоръчан от производител. Използването на други почистващи препарати или химикали може да повлияе неблагоприятно на безопасността на продукта.

### ОБЩИ ПРЕДУПРЕЖДЕНИЯ ЗА БЕЗОПАСНОСТ

### ⚠ ПРЕДУПРЕЖДЕНИЕ

**Прочетете всички предупреждения относно безопасността и всички инструкции.** Неспазването на предупрежденията и инструкциите може да доведе до токов удар, пожар и/или сериозни наранявания.

### ⚠ ВНИМАНИЕ

Продуктът не трябва да се използва върху източник на питейна вода, без да има монтиран възвратен клапан, който отговаря на EN 12729 Тип VA. Водата, преминаваща през възвратния клапан, не е годна за пиене. Не е позволено продуктът да се свързва към водоснабдяването.

■ Продуктът не е предназначен за използване от деца или лица с намалени физически, сетивни или умствени способности или от лица, които нямат необходимите опит и познания. Децата трябва да бъдат внимателно надзирани, за да се гарантира, че не си играят с продукта.

■ Когато работите с продукта, носете лични предпазни средства, като напр. предпазни очила и антифони.

■ За да намалите риска от наранявания, дръжте децата и посетителите надалеч. Всички странични наблюдатели трябва да носят предпазни очила да бъдат държани на безопасно разстояние от работната зона.

■ Инспектирайте защитните устройства, за да проверите дали са в добро работно състояние. Преди всяка употреба се уверете, че всички защитни устройства работят правилно:

- Ръкохватка на дръжката
  - Ръкохватката на дръжката е снабдена с повърхност за захващане, която осигурява допълнителен контрол върху накрайника за пръскане и помага за намаляване на умората.
- Бутон за заключване
  - Бутонът за заключване заключава спусъка и предотвратява неволно отваряне на струята под високо налягане.

■ Не използвайте продукта, ако има повредени важни части, напр. защитните устройства или накрайника за пръскане.

### ⚠ ПРЕДУПРЕЖДЕНИЕ

При употреба на електрически водоструйки може да се образуват аерозоли. Вдишването на аерозоли може да бъде опасно за здравето.

### ⚠ ПРЕДУПРЕЖДЕНИЕ

Не въртете дюзата, докато дърпате спусъка. Ако тече вода, докато дюзата е обърната, тя ще се изпусне в предпазния канал. Това не е теч, но дава възможност за източване на водата, без уредът да бъде повреден.



- Струята под високо налягане е опасна, ако се не използва правилно. Не насочвайте струята към хора, електрическо оборудване под напрежение или към самия продукт.
- За да избегнете риск от взрив, не пръскайте запалими течности.
- Не насочвайте струята срещу себе си или други хора, за да чистите дрехи или обувки.
- Маркучите, фитингите и куплунгите са важни за безопасността на продукта. Използвайте само маркучи, фитинги и куплунги, препоръчани от производителя.
- В някои региони действат наредби, които ограничават употребата на продукта. За съвети се обръщайте към местните власти.
- Проверявайте за повреди преди всяка употреба. Повредените маркучи трябва да бъдат подменени незабавно. Уверете се, че всички свързки, като например на крайника за пръскане или дюзата, са добре закрепени. Внимателно махайте маркуча, така че да не се усуче или прекъсне.
- Преди да започнете работа по почистване, затворете вратите и прозорците. В зоната за почистване не трябва да има отпадъци, играчки, външни мебели или други предмети, които могат да причинят някаква опасност.
- Не използвайте продукта при температура под 0°C.
- Не използвайте киселини, основи, разтвори, запалими материали, избелители или промишлени разтвори в продукта. Те могат да причинят физически наранявания на оператора и необратима повреда на продукта.

#### **▲ ПРЕДУПРЕЖДЕНИЕ**

Струята под високо налягане може да бъде опасна, ако не се използва правилно. Струята не трябва да бъде насочвана към хора, животни, електрически уреди или към самия продукт.

- Дръжте здраво ръкохватката с двете ръце. Очаквайте ръкохватката да се

движи, когато спусъкът е изтеглен поради силите на реакция. Ако не сте готови за това, може да загубите контрол и да нараните себе си и други хора.

- Внимавайте да не се подхлъзнете или да не паднете.
- Заемайте стабилна позиция и пазете баланс. Не се протягайте, за да работите на трудно достижими места. Протягането може да доведе до загуба на равновесие.
- Никога не оставяйте продукта без надзор, докато е свързан към акумулаторната батерия. Изключете продукта и го оставете само когато спре напълно. Дръжте продукта на място, недостъпно за деца, когато е под напрежение.
- Запознайте се с устройствата за управление. Научете как да спирате продукта и бързо да освободите налягането.
- Бъдете нащрек и упражнявайте контрол през цялото време. Внимавайте какво правите и проявявайте благоразумие.
- Не използвайте продукта, ако сте уморени, болни или под влиянието на алкохол, наркотици или лекарства. Миг невнимание по време на работа с продукта може да предизвика сериозни физически наранявания.
- Не използвайте продукта, ако превключвателят не включва или изключва продукта. Продукт, който не може да бъде контролиран посредством превключвател, е опасен и трябва да бъде ремонтиран.
- Когато почиствате автомобили, го правете най-малко от 30 см. Струята под високо налягане може да повреди или разруши гумите и/или вентилите.
- Продуктът не трябва да се използва, ако бъде изпуснат, ако има видими признаци на повреда или ако тече.

#### **ПРЕДУПРЕЖДЕНИЯ ЗА БЕЗОПАСНОСТ ЗА АКУМУЛАТОРНАТА БАТЕРИЯ**

- Зареждайте акумулаторния блок само със зарядното устройство, определено от производителя. Зарядно устройство, подходящо за зареждане на един вид батерии, може да предизвика риск от



пожар, ако бъде използвано за други батерии.

- Когато батерията не се използва, съхранявайте я далеч от други метални обекти, като например кламери, монети, ключове, гвоздеи, гайки или други малки метални обекти, които могат да направят връзка между клемите. Късото съединение от клемите може да доведе до изгаряния или пожар.
- Дръжте акумулаторната батерия и зарядното устройство далече от мокри и влажни места.
- Използвайте продукта само с акумулаторните батерии, посочени в настоящото ръководство. Използването на всякакви други батерии може да създаде риск от нараняване и пожар.
- При неправилно използване батерията може да отдели течност; избягвайте контакт. Ако случайно настъпи контакт, промийте с вода. Ако течността влезе в контакт с очите, потърсете незабавно медицинска помощ. Отделената от батерията течност може да причини възпаление или изгаряния.
- Акумулаторната батерия има защита против прегряване. Извънредно високите температури ще доведат до спиране на захранването на инструмента от батерията. Пипнете акумулатора; ако е много горещ, оставете го да изстине преди възобновяване на работата. Ако инструментът все още не работи, презаредете батерията.

**ЗАБЕЛЕЖКА:** Светодиодният индикатор на батерията няма да работи, ако защитната функция на батерията е довела до спирането на захранването на инструмента от батерията. Освободете бутона включено-изключено или свалете акумулатора от машината и светодиодният индикатор на акумулатора ще възобнови нормалното си функциониране.

#### **▲ ПРЕДУПРЕЖДЕНИЕ**

Не пръскайте продукта с вода. Това може да повреди акумулаторната батерия.

#### **▲ ПРЕДУПРЕЖДЕНИЕ**

За да избегнете опасността от пожар, предизвикана от късо съединение, както и нараняванията и повредите на продукта, не потапяйте инструмента, сменяемата акумулаторна батерия или зарядното устройство в течности и се погрижете в уредите и акумулаторните батерии да не попадат течности. Течностите, предизвикващи корозия или провеждащи електричество, като солена вода, определени химикали, избелващи вещества или продукти, съдържащи избелващи вещества, могат да предизвикат късо съединение.

#### **НЕПРЕДВИДЕНИ РИСКОВЕ**

Дори когато продуктът се използва по предназначение, е невъзможно напълно да се ограничи влиянието на определени рискови фактори. Описаните по-долу опасности могат да възникнат по време на работа, като операторът трябва да внимава за избягването на следното:

- Нараняване, причинено от вибрация
  - Дръжте продукта за предназначенияте ръкохватки и ограничавайте времето за работа.
- Наранявания, причинени от летящи отпадъци.
  - По всяко време носете защитни средства за очите.
- Наранявания, причинени от шум
  - Носете антифони и ограничете излагането

#### **НАМАЛЯВАНЕ НА РИСКА**

Известно е, че вибрациите, произвеждани от ръчни инструменти може да предизвикат у някои индивиди заболяване, наречено Синдром на Рейнолд (Raynaud's Syndrome). Симптомите може да включват изтръпване, схващане и избледняване на пръстите, обикновено се забелязват при излагане на студ. Смята се, че наследствените фактори, излагането на студ и влага, диетите, пушенето и някои работни навици допринасят за развитието на тези симптоми. Могат да се вземат някои

мерки, които могат да се предприемат от оператора, за да се намалят ефектите от вибрациите:

- Поддържайте телесната температура в студено време. Когато работите с продукта, носете ръкавици, за да поддържате ръцете и китките си топли. Според изследвания главният фактор, допринасящ за развитието на Raynaud's Syndrome, е студеното време.
- Правете упражнения за активизиране на кръвообращението след всеки работен цикъл.
- Редовно излизайте в почивка. Ограничете излагането на вибрации на ден.

При поява на някои от симптомите на това заболяване, незабавно прекратете употребата на инструмента и посетете лекар.

#### **⚠ ПРЕДУПРЕЖДЕНИЕ**

Продължителното използване на инструмента може да доведе до наранявания или влошаване. При използване на инструмента за продължителни периоди от време правете чести почивки.

### **ТРАНСПОРТИРАНЕ И СЪХРАНЕНИЕ**

- Спрете уреда, извадете акумулаторната батерия и го оставете да се охлади. Изключете продукта от линията за подаване на вода, преди да го приберете или транспортирате.
- Източете водата от всички маркучи и от помпата и изпразнете резервоара за препарат, преди да приберете продукта.
- Внимателно навийте маркуча на сифона и го приберете за съхранение заедно с електрическата водоструйка.
- Почистете продукта от всички чужди частици. Съхранявайте на хладно, защитено от замръзване, сухо и добре проветрено място, което е недостъпно за деца. Не съхранявайте продукта в близост до печ или други източници на топлина, които биха могли да изсушат уплътненията на помпата. Дръжте продукта далече от разяждащи вещества, като например градински

химикали и размразяващи соли. Не съхранявайте продукта на открито.

- Когато транспортирате продукта, го обезопасете така, че да не може да се движи или да падне, защото това може да доведе до евентуални наранявания на хора или повреди по продукта.

#### **⚠ ПРЕДУПРЕЖДЕНИЕ**

Съхранявайте изделието само на закрито. Съхраняването на място с температура под 0° ще повреди изделието.

### **ТРАНСПОРТИРАНЕ НА ЛИТИЕВИ БАТЕРИИ**

Транспортирайте батериите в съответствие с местните и национални постановления и разпоредби.

Спазвайте всички специални изисквания за пакетиране и етикетирание, когато транспортирате батерии чрез трето лице. Уверете се, че батериите не влизат в контакт с други батерии или проводими материали по време на транспортиране, като предпазите откритите конектори с изолация, непроводими капачета или лента. Не транспортирайте батерии, които са спукани или текат. Свържете се със следната компания за допълнителен съвет.

### **ПОДДРЪЖКА**

#### **⚠ ПРЕДУПРЕЖДЕНИЕ**

Използвайте само оригинални резервни части, аксесоари и приставки от производителя. В противен случай може да се влоши работата на инструмента или да получите тежки контузии, а гаранцията ви ще стане невалидна.

#### **⚠ ПРЕДУПРЕЖДЕНИЕ**

Сервизното обслужване изисква изключително внимание и специфични познания и следва да бъде извършвано само от квалифициран техник. Продуктът трябва да бъде ремонтиран само в упълномощен сервиз. При извършване на сервизни дейности използвайте само оригинални резервни части от производителя.

- Спрете уреда, извадете акумулаторната батерия и го оставете да се охлади. Изключете продукта от линията за подаване на вода, преди да:
  - почистване на продукта
  - извършвате поддръжка на продукта
  - сменят резервни части
- Можете да правите само такива настройки и поправки, които са описани в настоящото ръководство. За други поправки или съвети потърсете съдействие от оторизиран сервизен център.
- За да гарантирате безопасното функциониране на продукта, го проверявайте и поддържайте редовно. Уверете се, че отделението за батерията е правилно сглобено, плътно затворено и често проверявайте за повреди. Всяка повредена част трябва да бъде поправена или заменена от упълномощен сервизен център.

## ОПОЗНАЙТЕ ВАШИЯ ПРОДУКТ

Вж. страница 131.

1. Разпръскваща дюза 3-в-1
2. Бутон за освобождаване
3. Пръскалка
4. Бутон за заключване
5. Ключалка
6. Отделение за батерия
7. Ръкохватка на дръжката
8. Спусък
9. Входящ отвор за вода
10. Флотатор
11. Филтър
12. Маркуч за сифон
13. Бърз конектор

## СИМВОЛИ НА ПРОДУКТА



Предупреждение



За да се намали опасността от наранявания, потребителят трябва да прочете и да разбере ръководството за оператора, преди да използва този продукт.



Носете средства за защита на зрението и слуха.



За да намалите риска от нараняване от впръскването под високо налягане, не насочвайте струята към хора или животни.



Откат. За да намалите риска от наранявания при откат, дръжте ръкохватката със спусъка здраво с две ръце, когато продуктът е включен.



Изделието не е подходящо за свързване към мрежата с питейна вода без предпазно устройство за обратен поток.



Никога не насочвайте пръскалката към хора, животни, тялото на машината, електрозахранването или други електрически уреди.



Опасност от взрив



Тази машина е в съответствие с нормативната уредба на държавата от ЕС, където е била закупена.



EurAsian знак за съответствие



Украински знак за съответствие



Електрическите уреди не трябва да се изхвърлят заедно с битовите отпадъци. Рециклирайте, където има възможност. Обърнете се за съвет по рециклирането към местните власти или разпространителите.

## СИМВОЛИ В НАСТОЯЩОТО РЪКОВОДСТВО



Частите или принадлежностите се продават отделно





Забележка



Предупреждение

Следните сигнални думи и значенията им са предназначени да обяснят нивата на опасност, свързани с този продукт.

#### **ОПАСНОСТ**

Указва неминуемо опасна ситуация, която ако не бъде избегната, ще доведе до сериозни наранявания или смърт.

#### **ПРЕДУПРЕЖДЕНИЕ**

Указва потенциално опасна ситуация, която ако не бъде избегната, може да доведе до сериозни наранявания или смърт.

#### **ВНИМАНИЕ**

Указва потенциално опасна ситуация, която ако не бъде избегната, може да доведе до дребни или средни наранявания.

#### **ВНИМАНИЕ**

Без предупредителен символ за безопасност

Указва ситуация, която може да доведе до имуществени щети.

Головними міркуваннями при розробці цієї акумуляторної мийки були безпека, ефективність та надійність.

### ПЕРЕДБАЧУВАНОМУ ВИКОРИСТАННІ

Акумуляторна мийка призначена для використання виключно поза приміщенням.

Продукт призначений для домашнього або місцевого використання. Вона застосовується для миття садових меблів, вікон, автомобілів, човнів і видаляє навіть стійкий бруд за допомогою води під тиском як з додаванням миючого засобу, так і без нього.

Використовувати у добре освітлених місцях.

Не використовуйте для будь-яких інших цілей.

#### ⚠ Попередження

Пристрій призначений для використання із нейтральними миючими засобами, які постачаються або рекомендуються виробником. Використання інших миючих засобів або хімікатів може негативно вплинути на безпеку пристрою.

### ЗАГАЛЬНІ ЗАХОДИ БЕЗПЕКИ

#### ⚠ Попередження

**Прочитайте всі правила безпеки та інструкції.** Недотримання попереджень та інструкцій може призвести до ураження електричним струмом, пожежі та / або серйозної травми.

#### ⚠ УВАГА

Заборонено підключати пристрій до системи постачання питної води без встановленого зворотного клапану який відповідає вимогам EN 12729 типу BA. Вода, що тече через зворотний клапан не придатна для пиття. Не дозволяється під'єднувати пристрій до джерела подачі води.

- Пристрій не призначений для використання дітьми, особами з обмеженими фізичними, сенсорними або інтелектуальними здібностями та особам, яким бракує досвіду та знань. Потрібно належним чином стежити за дітьми, щоб вони не грали з машиною.

- При використанні пристрою надягайте засоби індивідуального захисту, зокрема захисні окуляри та засоби захисту органів слуху.

- Задля зниження ризику травмування тримайте пристрій подалі від дітей та сторонніх осіб. Всі спостерігачі повинні надягати захисні окуляри та знаходитись на безпечній відстані від робочої зони.

- Переконайтеся, що захисне приладдя знаходиться в належному робочому стані. Перед кожним використанням, переконайтеся, що захисне приладдя працює належним чином:

- Руків'я ручки

- Руків'я ручки має спеціальну ціпку поверхню, яка допомагає легше керувати розпилювачем та зменшує втомлюваність.

- Кнопка-фіксатор

- Кнопка-фіксатор блокує спусковий гачок та запобігає ненавмисному відкриттю потоку високого тиску.

- Заборонено використання пристрою в разі пошкодження важливих компонентів, зокрема захисного приладдя або розпилювача.

#### ⚠ Попередження

При використанні мийки можуть утворюватися аерозолі. Вдихання аерозолів може бути небезпечним для здоров'я.

#### ⚠ Попередження

Не повертайте сопло при натисканні пускового гачка. Якщо вода тече при повернутому соплі, перепускний клапан відкривається для скиду води. Це не протікання, а запобіжний захід для випуску води без пошкодження пристрою.

- Струмінь високого тиску є небезпечним при неправильному використанні. Заборонено спрямовувати струмінь у бік людей, підключене електричне обладнання або на сам пристрій.
- Заборонено розпилювати горючі рідини, щоб уникнути ризику вибуху.
- Заборонено спрямовувати струмінь на себе або інших людей з метою очищення одягу або взуття.

- Шланги, кріплення та муфти важливі для безпеки пристрою. Використовуйте лише шланги, пристосування та стикування рекомендовані виробником.
- У деяких регіонах існують правила, що обмежують використання продукту для деяких операцій. Перевірте з вашим місцевим органом влади для консультацій
- Перевіряйте наявність пошкоджень перед кожним використанням. Пошкоджені шланги слід негайно замінити. Переконайтесь у надійності всіх з'єднань, зокрема кріплень розпилювача та насадки. Розмотайте шланг правильно, не має бути жодних викривлень та перекручень.
- Закрийте вікна та двері перед початком будь-якого очищення. Приберіть зону очищення від сміття, іграшок, вуличних меблів та інших предметів, що можуть спричинити небезпечну ситуацію.
- Заборонено використання пристрою за температури нижче 0°C.
- Заборонено використання із пристроєм кислот, луг, розчинників, легкозаймистих матеріалів, відбілювачів, або розчинників промислового класу. Ці засоби можуть спричинити травмування оператора та незворотні пошкодження пристрою.

### ▲ Попередження

При неналежному використанні струмінь високого тиску є небезпечним. Струмінь не має бути спрямований на людей, тварин, електричне обладнання або сам пристрій.

- Міцно тримайте ручку двома руками. Очікуйте на переміщення ручки при натисканні на пусковий гачок через вплив сили реакції. Якщо це зроблено неправильно, може бути втрачений контроль або спричинене травмування оператора чи інших людей.
- Будьте обережні, щоб уникнути ковзання або падіння.
- Тримайте міцну опору і рівновагу. Не тягніться. Намагання дотягнутися можуть призвести до втрати рівноваги.
- Ніколи не залишайте пристрій без нагляду, якщо він під'єднаний до

акумулятора. При вимиканні пристрою не залишайте його без нагляду до повної зупинки. Завжди зберігайте підключений до акумулятора пристрій у недоступному для дітей місці.

- Добре ознайомтесь з керуванням. Знайте, як зупинити пристрій та швидко знизити тиск.
- Будьте уважними та здійсніть перевірки. Дивіться, що ви робите та керуйтеся здоровим глуздом.
- Не працюйте з виробом, коли ви втомлені або знаходитесь під дією наркотиків, алкоголю або медикаментів. Найменша необережність при роботі з електроінструментом може призвести до серйозних травм.
- Не використовуйте пристрій у разі, якщо кнопка вимикання не працює. Продукт, який не може управлятися за допомогою перемикача, небезпечний і повинен бути відремонтований.
- Дотримуйтесь мінімальної дистанції у 30 см, коли очищуєте транспортні засоби. Струмінь високого тиску може призвести до пошкодження або розривання автомобільних покришок та / або клапанів покришок.
- Забороняється експлуатація пристрою після падіння, при видимих пошкодженнях або витіканні води.

### ПОПЕРЕДЖЕННЯ З ТЕХНІКИ БЕЗПЕКИ ВИКОРИСТАННЯ АКУМУЛЯТОРІВ

- Заряджайте акумуляторну батарею тільки за допомогою зарядного пристрою, зазначеного виробником. Зарядний пристрій, що підходить для одного типу акумуляторів, може створити ризик загоряння при використанні з іншим акумуляторним блоком.
- Коли акумулятор не використовується, тримайте його подалі від металевих предметів, таких як скріпки, монети, ключі, цвяхи, шурупи, або інші дрібні металеві предмети, які можуть підключити один контакт до іншого. Коротке замикання контактів акумулятора може призвести до опіків або пожежі.
- Тримайте акумулятори та зарядний пристрій подалі від вологи та пари.
- Використовуйте пристрій лише з

акумуляторами зазначеними у цій інструкції з використання. Використання будь-яких інших акумуляторів, може створити ризик отримання травми і пожежі.

- У важких умовах експлуатації, рідина може бути випущена з батареї; уникайте контакту. При випадковому контакті змийте водою. При потрапленні рідини в очі, зверніться за медичною допомогою. Рідина з акумулятора може викликати роздратування або опіки.

- Акумулятор має захист від перегріву. Підвищення температури може призвести до зупинення живлення продукту від акумулятора. Відчуйте акумулятор; якщо він занадто теплий, дайте йому охолонути, перш ніж відновити роботу. Якщо продукт все ще не працює, замініть акумулятор.

**ПРИМІТКА:** СВД акумулятора не працюватиме, якщо функція захисту батареї викликала зупинку живлення продукту. Відпустіть кнопку включення-виключення або вийміть акумулятор з пристрою і СВД індикатор акумулятора відновить нормальну функцію.

#### ⚠ Попередження

Не бризкайте воду на пристрій. Це може призвести до пошкодження акумулятора.

#### ⚠ Попередження

Для запобігання небезпеці пожежі в результаті короткого замикання, травмам і пошкодженню виробів не занурюйте інструмент, змінний акумулятор або зарядний пристрій у рідину і не допускайте потраплення рідини всередину пристроїв або акумуляторів. Корозійні і струмопровідні рідини, такі як солоний розчин, певні хімікати, вибілювальні засоби або продукти, що їх містять, можуть призвести до короткого замикання.

#### НЕПЕРЕДБАЧЕНІ РИЗИКИ

Навіть за належного використання інструмента неможливо повністю нейтралізувати певні фактори залишкового ризику. Наступні небезпеки можуть виникати при використанні продукту та

оператору слід звернути особливу увагу, щоб уникнути наступного:

- Травми спричинені вібрацією.
  - Тримайте прилад за спеціально призначені ручки та лімітуйте час роботи із ним.
- Травми, викликані літаючими уламками
  - Носіть захист для очей у весь час.
- Підвищений рівень шуму може спричинити пошкодження слуху.
  - Надягайте захист для органів слуху та лімітуйте вплив.

#### ЗНИЖЕННЯ РИЗИКУ

Відомі випадки, коли вібрація від ручних інструментів сприяє появі так званого синдрому Рейно. Симптоми схожі на ті, що з'являються під впливом холоду, включаючи поколювання, оніміння та збліднення пальців. Вважається, що спадкові чинники, вплив холоду і сирості, харчування, куріння і деякі звички роботи сприяють розвитку цих симптомів. Можна прийняти деякі заходи, які можуть бути прийняті оператором, щоб зменшити вплив вібрації:

- Підтримувати температуру тіла в холодну погоду. При використанні інструменту надягайте рукавички, щоб тримати руки та зап'ястки у теплі. Згідно з дослідженнями, основний внесок в розвиток синдрому Рейно, є холодна погода.
- Вправа для активації кровообігу після кожного запуску.
- Регулярно йдуть на перерву. Лімітуйте кількість роботи на день.

Якщо ви виявили будь-який з цих симптомів, негайно припиніть використання і зверніться до вашого лікаря згідно цих симптомів.

#### ⚠ Попередження

Тривале використання інструменту може призвести до травмування або загострення існуючої травми. При використанні приладу протягом тривалого періоду часу, часті перерви.

## ТРАНСПОРТУВАННЯ ТА ЗБЕРІГАННЯ

- Зупиніть двигун, видаліть акумулятор, та дайте пристрою охолонути. Від'єднайте пристрій від водопроводу перед тим, як зберігати або транспортувати.
- Перед зберіганням продукту видаліть всю воду з шлангів та насосу, спустошить бак для мийного засобу.
- Акуратно зверніть сифонний шланг кільцями і зберігайте його разом із мийкою.
- Почистіть всі сторонні матеріали з продукту. Зберігайте в прохолодному при температурі вище 0 гр., сухому та добре вентильованому місці, недоступному для дітей. Не розміщуйте пристрій на зберігання поблизу печі або іншого джерела тепла, оскільки це може призвести до пошкодження ущільнень насоса. Зберігати подалі від агресивних агентів, таких як садові хімікати і солей проти обледеніння. Не зберігайте пристрій на відкритому повітрі.
- Для транспортування, забезпечіть машину від руху або падіння, щоб запобігти травми людей або пошкодження машини.

**⚠ Попередження**  
Зберігайте прилад лише у приміщенні. Зберігання при температурі нижче 0° призведе до пошкодження приладу.

## ПЕРЕВЕЗЕННЯ ЛІТІСВИХ БАТАРЕЙ

Здійсніть транспортування акумуляторної батареї відповідно до місцевих та загальнодержавних норм і правил.

Дотримуйтеся всі спеціальні вимоги до упаковки і маркування при транспортуванні батареї третьою стороною. Переконайтеся, що під час транспортування акумулятор не вступає в контакт з іншими акумуляторними батареями або струмопровідними матеріалами та захистіть відкриті роз'єми ізоляційними непровідними кришками або стрічкою. Чи не переносьте акумулятори, тріснути або бігу. Зв'язатися з нами для отримання подальших рекомендацій.

## ТЕХНІЧНЕ ОБСЛУГОВУВАННЯ

**⚠ Попередження**  
Використовуйте тільки оригінальні запасні частини, аксесуари та обладнання від виробника. Невиконання цієї вимоги може привести до можливої травми, поганої продуктивності та може призвести до втрати гарантії.

**⚠ Попередження**  
Обслуговування вимагає крайньої обережності і знання і повинно бути виконане тільки кваліфікованим фахівцем. Звертайтеся тільки до авторизованого сервісного центру. При технічному обслуговуванні використовуйте тільки ідентичні замінні частини.

- Зупиніть двигун, видаліть акумулятор, та дайте пристрою охолонути. Від'єднайте пристрій від водопроводу перед:
  - очищенням продукту
  - технічним обслуговуванням пристрою
  - заміною запасних частин
- Ви можете зробити регулювання та ремонт, описані в цьому посібнику користувача. Для інших ремонтних робіт, зверніться до авторизованого сервісного агента.
- Для безпечного використання регулярно перевіряйте та проводьте технічне обслуговування мийки. Слідкуйте за тим, щоби акумуляторний відсік був правильно зібраний та щільно закритий; регулярно перевіряйте його на предмет ушкоджень. Будь-яка пошкоджена деталь, має бути правильно відремонтована або замінена в авторизованому сервісному центрі.

## ЗНАЙ СВІЙ ПРОДУКТ

*Дивіться сторінку 131.*

1. Насадка 3-в-1
2. Спускова кнопка
3. Трубка обприскувача
4. Кнопка-фіксатор
5. Запор
6. Відсік для акумулятора
7. Руків'я ручки
8. Курок перемикача

9. Впускний отвір для води
10. Поплавок
11. Фільтр
12. Сифонний шланг
13. Швидкий роз'єм

## СИМВОЛИ НА ПРОДУКТІ



Попередження

Для запобігання ризику травми користувач повинен прочитати та зрозуміти керівництво користувача перед використанням цього виробу.



Носіть захист очей і вух.



Для зниження ризику травмування струмом високого тиску, заборонено спрямовувати розпилювач на людей та тварин.



Відскок. Для зменшення ризику травмування внаслідок віддачі під час роботи пристрою, тримайте поворотну ручку двома руками.



Прилад не призначений для підключення до мережі питної води без пристрою запобігання зворотного витоку.



Заборонено спрямовувати розпилювальну трубку на людей, тварин, корпус механізму, блок живлення та будь-яке електричне обладнання.



Небезпека вибуху



Відповідає всім нормативним стандартам в країнах ЄС, де виріб було придбано.



Євразійська знак відповідності.



Український знак відповідності



Не викидати відпрацьовані електричні прилади разом із побутовими відходами. Утилізувати у спеціально призначених закладах. За консультацією по утилізації приладу зверніться до органу місцевої влади або дилеру.

## СИМВОЛИ В ЦЬОМУ ПОСІБНИКУ



Запчастини та аксесуари, що продаються окремо



ПРИМІТКА



Попередження

Наступні сигнальні слова і змісти призначені для пояснення рівнів ризику, пов'язаних з продуктом.

### ⚠ НЕБЕЗПЕКА

Вказує на неминуче небезпечну ситуацію, яка, якщо її не уникнути, може призвести до смерті або серйозних травм.

### ⚠ ПОПЕРЕДЖЕННЯ

Вказує на потенційно небезпечну ситуацію, яка, якщо її не уникнути, може призвести до смерті або серйозних травм.

### ⚠ УВАГА

Вказує на потенційно небезпечну ситуацію, яка, якщо її не уникнути, може призвести до легкої або середньої травми.

### УВАГА

Без попереджуючих символів  
Вказує на ситуацію, яка може призвести до пошкодження майна.

Kablosuz yıkama makinenizin tasarımında güvenlik, performans ve güvenilirliğe en yüksek öncelik verilmiştir.

### KULLANIM AMACI

Kablosuz yıkama makinesi yalnızca iç mekan kullanımına yöneliktir.

Ürün evde veya domestik kullanım için tasarlanmıştır. Veranda mobilyalarını, pencereleri, otomobilleri, botları temiz su kullanarak temizleme deterjanı olmadan temizlemeye yöneliktir.

Ürün iyi aydınlatılmış ortamlarda kullanılmalıdır.

Başka herhangi bir amaçla kullanmayın.

### ⚠ UYARI

Bu ürün üretici tarafından tedarik edilen ya da tavsiye edilen nötr temizleme maddesi ile kullanılacak şekilde tasarlanmıştır. Farklı temizleme maddelerinin kullanımı ürünün emniyetli kullanımını olumsuz yönde etkileyebilir.

### GENEL GÜVENLİK UYARILARI

### ⚠ UYARI

**Tüm güvenlik uyarılarını ve tüm talimatları okuyun.** Uyarılara ve talimatlara uymamak elektrik çarpması, yangın ve/veya ciddi yaralanma ile sonuçlanabilir.

### ⚠ İKAZ

Ürün EN 12729 Tip BA ile uyumlu bir şekilde kurulan geri akış engelleyicisi olmadan içme suyu şebekesine bağlı şekilde kullanılmamalıdır. Geri akış engelleyicisi içinden akan su içilemez. Ürünün su kaynağına bağlanmasına izin verilmez.

- Ürün çocuklar ya da kısıtlı fiziksel, duyuşal ya da zihinsel becerilere sahip ya da yeterli deneyimi veya bilgisi olmayan kişilerin kullanımına uygun değildir. Ürünle oynamadıklarından emin olmak için çocuklara uygun şekilde nezaret edilmelidir.
- Ürünü çalıştırırken güvenlik gözlükleri ve işitme koruması gibi kişisel koruyucu ekipmanlar takın.

- Yaralanma riskini azaltmak için çocuk ve etraftakileri üründen uzak tutun. Etraftaki herkesin emniyet gözlükleri kullanması ve çalışma alanından güvenli bir mesafede bulunması gerekir.
- Emniyet cihazlarının kontrol edin. Her kullanımdan önce tüm emniyet cihazlarının düzgün şekilde çalıştığından emin olun:
  - Kavrama tutamağı
    - Kavrama tutamağında sprey çubuğunun daha iyi kontrolünü sağlayan ve yorgunluğu azaltmaya yardımcı olan bir kavrama yüzeyi vardır.
  - Kilitleme düğmesi
    - Kilitleme düğmesi anahtar tetiği kilitler ve yüksek basınçlı jetin kazara açılmasını önler.
- Güvenlik cihazları veya sprey çubuk gibi önemli parçalar hasarlıysa ürünü kullanmayın.

### ⚠ UYARI

Yıkama makineleri kullanılırken aerosol oluşabilir. Aerosollerin solunması sağlığa zararlı olabilir.

### ⚠ UYARI

Tetiği çekerken meme ucunu çevirmeyin. Meme ucu çevrildiğinde su akıyorsa boşaltma kanalı suyu bırakır. Bu bir sızıntı değildir, suyun cihaza zarar vermeden kaçmasına yardımcı olur.

- Yüksek basınçlı jet yanlış kullanıldığında tehlikelidir. Jeti kişilere, çalışan elektrikli ekipmanlara ya da ürünün kendisine doğru kullanmayın.
- Patlama riskinden kaçınmak için alev alabilen sıvıları sprey şeklinde sıkmayın.
- Kıyafet ya da ayakkabıları temizlemek için jeti kendinize ya da başkalarına doğrultmayın.
- Hortumlar, bağlantı parçaları ve rakorlar ürünün emniyeti için önemlidir. Yalnızca üreticinin tavsiye ettiği hortum, tertibat ve rakor kullanın.
- Bazı bölgeler ürünün bazı çalışmalarda kullanımına kısıtlama getiren yönetmeliklere sahiptir. Tavsiye için bölgenizdeki yetkili mercie başvurun.

- Her kullanım öncesi üründe hasar olup olmadığını kontrol edin. Hasar görmüş hortumların hemen değiştirilmesi gereklidir. Sprey çubuğu ve meme ucu gibi tüm bağlantıların sağlam olduğundan emin olun. Hortumu katlanıp sıkışmaması için düzgün şekilde açın.
- Herhangi bir temizlik işlemine başlamadan önce kapı ve pencereleri kapatın. Temizlenecek alanı çöp, oyuncak, bahçe mobilyası ya da tehlike oluşturabilecek diğer nesnelere arındırın.
- Ürünü 0°C altındaki sıcaklıklarda kullanmayın.
- Ürüne asit, alkalın, çözücü, alev alabilir malzeme, ağartıcı ya da endüstriyel solüsyonlar koymayın. Bu ürünler kullanıcıda fiziksel yaralanmaya yol açabileceği gibi ürüne tamiri mümkün olmayan hasar verebilir.

#### ⚠ UYARI

Yüksek basınçlı jet yanlış kullanıma maruz kaldığında tehlikelidir. Jet kişilere, hayvanlara, elektrikli ekipmanlara ya da ürünün kendisine doğru tutulmamalıdır.

- Tutamağı iki elinizle güvenli bir şekilde tutun. Tetik çekildiğinde reaksiyon vereceğinden tutamağın hareket etmesini bekleyin. Aksi halde kontrolünüzü kaybedebilir ve kendiniz ile diğer kişilerin yaralanmasına yol açabilirsiniz.
- Kayma ve düşmeye karşı dikkatli olun.
- Yere sağlam basın ve dengede durun. Yukarıya doğru erişmeye çalışmayın. Yukarıya erişmeye çalışmak dengenizi kaybetmenize neden olabilir.
- Ürün pil paketine bağlıyken ürünü asla başıboş bırakmayın. Ürünü kapatın ve yalnızca tamamen durduğunda başından ayrılın. Ürün çalışırken çocukların erişemeyeceği yerde bulundurun.
- Kontrol elemanlarını iyi tanıyın. Ürünü hızlı bir şekilde durdurup basıncı boşaltmayı öğrenin.
- Dikkatli olun ve tetikte kalın. Yaptığınız işe dikkat edin ve sağduyulu olun.
- Ürünü yorgun veya hastayken ya da uyuşturucu, alkol veya ilaç etkisi altındayken asla kullanmayın. Ürünü kullanırken bir anlık dikkatsizlik ciddi kişisel yaralanmaya yol açabilir.

- Eğer anahtar açılıp kapanmıyorsa makineyi kullanmayın. Anahtarla kontrol edilemeyen her elektrikli alet tehlikelidir ve onarılmalıdır.
- Araçları temizlerken en az 30 cm mesafe bırakın. Yüksek basınç araç lastiklerine ve/veya siboplarına hasar verebilir veya patlatabilir.
- Ürün düşürüldüyse, gözle görünür hasar varsa veya sızıntı yapıyorsa kullanılmamalıdır.

#### PİL PAKETİ EMNİYET UYARILARI

- Pil paketini yalnızca üreticinin belirttiği şarj cihazı ile tekrar şarj edin. Tek bir pil takımı tipine uygun bir şarj cihazı başka bir pil takımı ile birlikte kullanıldığında yangın riski oluşturabilir.
  - Pil takımı kullanılmadığı zaman ataş, bozuk para, anahtar, çivi, vida ve diğer metal nesnelere gibi bir terminalden diğerine bağlantı oluşturabilecek diğer metal nesnelere uzak tutun. Pil terminallerinin birlikte kısa devre yapması yangına veya yangına neden olabilir.
  - Pil paketi ve şarj cihazını ıslak ve nemi ortamlardan uzak tutun.
  - Ürünü yalnızca bu kılavuzda belirtilen pil paketleri ile kullanın. Başka bir pil takımı kullanmak yaralanma ve yangın riski oluşturabilir.
  - Kötü koşullarda pilden sıvı boşalabilir; temas etmekten kaçının. Eğer kazara temas ederseniz temas eden yeri suyla yıkayın. Eğer sıvı gözlerinize temas ederse ek olarak tıbbi yardım alın. Pilden boşalan sıvı tahrişe veya yanıklara neden olabilir.
  - Pil paketi aşırı ısınma koruması. Aşırı sıcaklıklar bataryanın alete güç sağlamayı kesmesine neden olur. PİL paketini dokunmayın; aşırı sıcakta çalışmaya devam etmeden önce soğumasını bekleyin. Eğer alet hâlâ çalışmıyorsa bataryayı şarj edin.
- NOT:** Eğer bataryanın alete güç sağlamasını kesmesine batarya koruma özelliği neden olmuşsa batarya takımı gösterge LED'i çalışmaz. Açma kapama düğmesini bırakın ya da pil paketini üründen çıkarın ve pil paketi LED göstergesi normal işlevine geri dönecektir.



### ⚠ UYARI

Ürüne su sıçratmayın. Pil paketine hasar verebilir.

### ⚠ UYARI

Bir kısa devreden kaynaklanan yangın, yaralanma veya ürün hasarları tehlikesini önlemek için aleti, güç paketini veya şarj cihazını asla sıvıların içine daldırmayınız ve cihazların ve pillerin içine sıvı girmesini önleyiniz. Tuzlu su, belirli kimyasallar, aşartıcı madde veya aşartıcı madde içeren ürünler gibi korozif veya iletken sıvılar kısa devreye neden olabilir.

### ARTIK RİSKLER

Ürün belirtilen şekilde kullanıldığında bile belirli artık risk faktörlerini tamamen ortadan kaldırmak mümkün değildir. Kullanım sırasında aşağıdaki tehlikeler ortaya çıkabilir ve kullanıcının aşağıdaki durumları önlemek için özellikle dikkatli olması gerekir:

- Titreşim nedeniyle yaralanma.
  - Ürünü belirtilen tutamaklardan tutun ve ürünle çalışma ve ürüne maruz kalma süresini kısa tutun.
- Uçan döküntülerden kaynaklanan yaralanma.
  - Her zaman uygun kulak tıkacı takın.
- Gürültüye maruz kalma nedeniyle işitme kaybı meydana gelebilir.
  - İşitme koruması kullanın ve maruz kalma süresini kısıtlayın.

### RİSK AZALTMA

El aletlerinden kaynaklanan titreşimlerin belirli kişilerde Raynaud Sendromu adı verilen bir durumu etkilediği bildirilmiştir. Semptomlar içerisinde parmaklarda genellikle soğuğa maruz kaldığında açığa çıkan karıncalanma, hissizlik ve ağrı yer bulunabilir. Kalıtsal faktörler, soğuğa ve neme maruz kalma, diyet, sigara içme ve çalışma uygulamalarının hepsinin bu semptomların gelişimini etkilediği düşünülmektedir. Titreşim etkilerini azaltmak için kullanıcı tarafından alınabilecek önlemler vardır:

- Soğuk havada vücut ısınızızı koruyun. Ürünü kullanırken ellerinizi ve bileklerinizi sıcak tutmak için eldiven giyin. Soğuk havanın

Raynaud Sendromu'nu etkileyen önemli bir faktör olduğu bildirilmiştir.

- Her kullanım süresinden sonra kan dolaşımını artırmak için egzersiz yapın.
- Sık çalışma molası verin. Günlük maruz kalma miktarını sınırlayın.

Eğer bu durumla ilgili herhangi bir semptom görürseniz çalışmayı derhal bırakın ve doktorunuza başvurun.

### ⚠ UYARI

Ürünün uzun süre kullanılması nedeniyle yaralanmalar meydana gelebilir veya kötüleşebilir. Herhangi bir alet uzun süre kullanıldığında düzenli molalar verdiğinizden emin olun.

### TAŞIMA VE DEPOLAMA

- Ürünü durdurun, pil paketini çıkarın ve ürünün soğumasını bekleyin. Depolama ya da taşıma öncesinde ürünün su tedariki bağlantısını kesin.
- Ürünü depolamadan önce tüm boru ve pompadaki suyu, depodaki deterjanı boşaltın.
- Sifon hortumu düzgün bir şekilde sarın ve elektrikli yıkama makinesiyle birlikte muhafaza edin.
- Üründeki tüm yabancı maddeleri temizleyin. Ürünü çocukların erişemeyeceği serin, donma yapmayan, kuru ve iyi havalandırılmış bir yerde depolayın. Ürünü pompa contalarını kurutabilecek ocak veya diğer ısı kaynaklarının yakınında depolamayın. Bahçe kimyasalları ve buz çözücü tuzlar gibi korozif maddelerden uzak tutun. Ürünü açık havada depolamayın.
- Taşınacağı zaman insanların yaralanmasını veya ürünün zarar görmesini önlemek amacıyla ürünü hareket etmemesi veya düşmemesi için sabitleyin.

### ⚠ UYARI

Ürünü yalnızca iç mekanlarda depolayın. Sıcaklığın 0° altında olduğu yerde depolama ürüne zarar verecektir.

## LİTYUM BATARYALARIN TAŞINMASI

Bataryayı yerel ve ulusal hükümlere ve yönetmeliklere uygun şekilde taşıyın.

Bataryalar üçüncü bir şahıs tarafından taşındığında ambalaj ve etiket üzerindeki tüm özel koşullara uyun. Açıktaki konnektörleri yalıtkan, iletken olmayan başlıklar veya bant ile koruyarak hiçbir bataryanın taşıma sırasında diğer bataryalarla veya iletken malzemelerle temas etmediğinden emin olun. Çatlak veya sızdıran bataryaları taşımayın. Ek tavsiye için nakliye şirketi ile birlikte kontrol edin.

## BAKİM

### ⚠ UYARI

Sadece orijinal üreticinin yedek parçalarını, aksesuarlarını ve ek parçalarını kullanın. Aksine davranış olası yaralanmaya yol açabilir, yetersiz performansla neden olabilir ve garantinizin geçersiz olmasıyla sonuçlanabilir.

### ⚠ UYARI

Servis çalışması en yüksek düzeyde dikkat ve bilgi gerektirir ve sadece nitelikli bir servis teknisyeni tarafından yapılmalıdır. Ürünün servis işlemlerini sadece yetkili bir servis merkezinde yaptırın. Servis yapılırken sadece aynı yedek parçaları kullanın.

- Ürünü durdurun, pil paketini çıkarın ve ürünün soğumasını bekleyin. Aşağıdaki işlemlerden önce ürünün su tedariki bağlantısını kesin:
  - ürünün temizlenmesi
  - ürüne bakım yapma
  - yedek parçaları değiştirme
- Sadece bu kılavuzda açıklandığı şekilde ayar veya onarım yapabilirsiniz. Diğer onarımlar için yetkili servis temsilcisini arayın.
- Ürünü güvenli bir şekilde kullanmak için düzenli olarak inceleyin ve bakımını yapın. Pil bölmesinin uygun bir şekilde monte edildiğinden, sıkıca kapatıldığından ve sık sık hasarlara karşı kontrol edildiğinden emin olun. Hasarlı her tür parça yetkili servis merkezi tarafından uygun şekilde onarılmalı veya değiştirilmelidir.

## ÜRÜNÜNÜZÜ TANIYIN

Bkz. sayfa 131.

1. 3 fonksiyonlu nozül
2. Açma Düğmesi
3. Püskürtme çubuğu
4. Kilitleme düğmesi
5. Mandal
6. Pil Bölmesi
7. Kavrama tutamağı
8. Düğme tetik
9. Su girişi
10. Flatör
11. Filtre
12. Sifon hortumu
13. Hızlı Bağlantı

## ÜRÜN ÜZERİNDEKİ SEMBOLLER



Uyarı



Yaralanma riskini azaltmak için kullanıcı ürünü kullanmadan önce kullanıcı kılavuzunu okuyup anlamalıdır.



Koruyucu gözlük ve kulak tıkacı kullanın.



Yüksek basınçlı enjeksiyondan yaralanma riskini azaltmak için kişi ya da hayvanlara doğrudan sıkmayın.



Geri tepme. Tepmeden kaynaklanabilecek yaralanma riskini azaltmak için ürün çalışırken tetik kolu iki elinizle sıkıca tutun.



Ürün geri akış önleyici olmayan içme suyu şebekesine bağlanmaya uygun değildir.



Sprey çubuğunu asla kişiler, hayvanlar, makine gövdesi, güç kaynağı ya da elektrikli aletlere doğrultmayın.



Patlama tehlikesi



Ürünün satın alındığı AB ülkesindeki tüm düzenleyici standartlara uygundur.



EurAsian Uygunluk İşareti



Ukrayna uygunluk işareti.



Atık elektrikli ürünler evsel atıklarla birlikte atılmamalıdır. Lütfen tesislerin mevcut olduğu yerlerde geri dönüştürün. Geri dönüşüm tavsiyesi için bölgenizdeki yetkili merciyeye veya satıcıya başvurun.

#### BU KILAVUZDAKİ SEMBOLLER



Ayrı satılan parçalar veya aksesuarlar



Not



Uyari

Aşağıdaki işaret sözcükler ve anlamları bu ürünle ilişkili risk seviyelerinin açıklanmasına yöneliktir.

#### ⚠ TEHLİKE

Önlenmemesi durumunda ölüm veya ciddi yaralanma ile sonuçlanacak ciddi tehlike içeren bir durumu gösterir.

#### ⚠ UYARI

Önlenmemesi durumunda ölüm veya ciddi yaralanma ile sonuçlanabilecek potansiyel olarak tehlikeli bir durumu gösterir.

#### ⚠ İKAZ

Önlenmemesi durumunda önemsiz veya orta derece yaralanma ile sonuçlanabilecek potansiyel olarak tehlikeli bir durumu gösterir.

#### İKAZ

Güvenlik uyarısı sembolü olmadığında Maddi hasarla sonuçlanabilecek bir durumu gösterir.

EN

FR

DE

ES

IT

NL

PT

DA

SV

FI

NO

RU

PL

CS

HU

RO

LV

LT

ET

HR

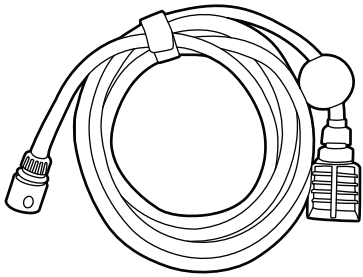
SL

SK

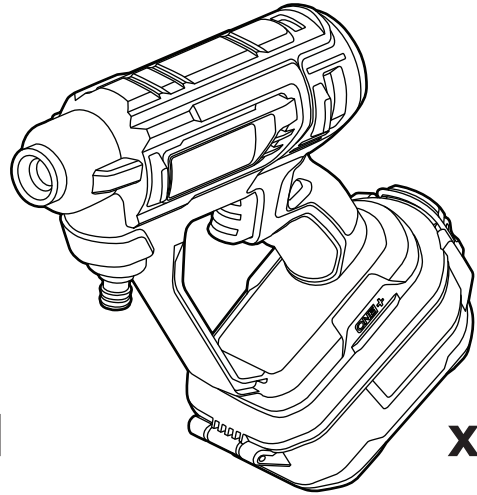
BG

UK

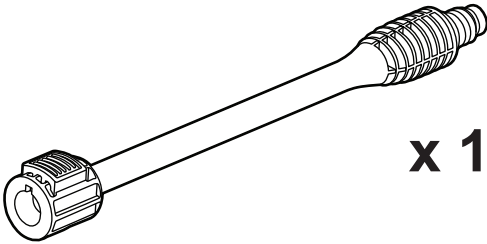
TR



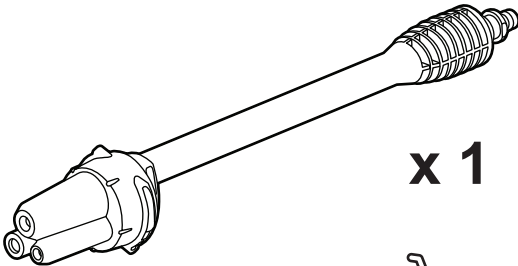
x 1



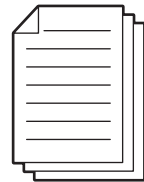
x 1



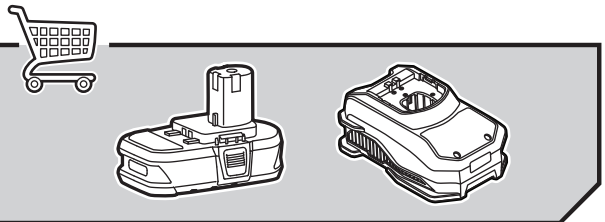
x 1

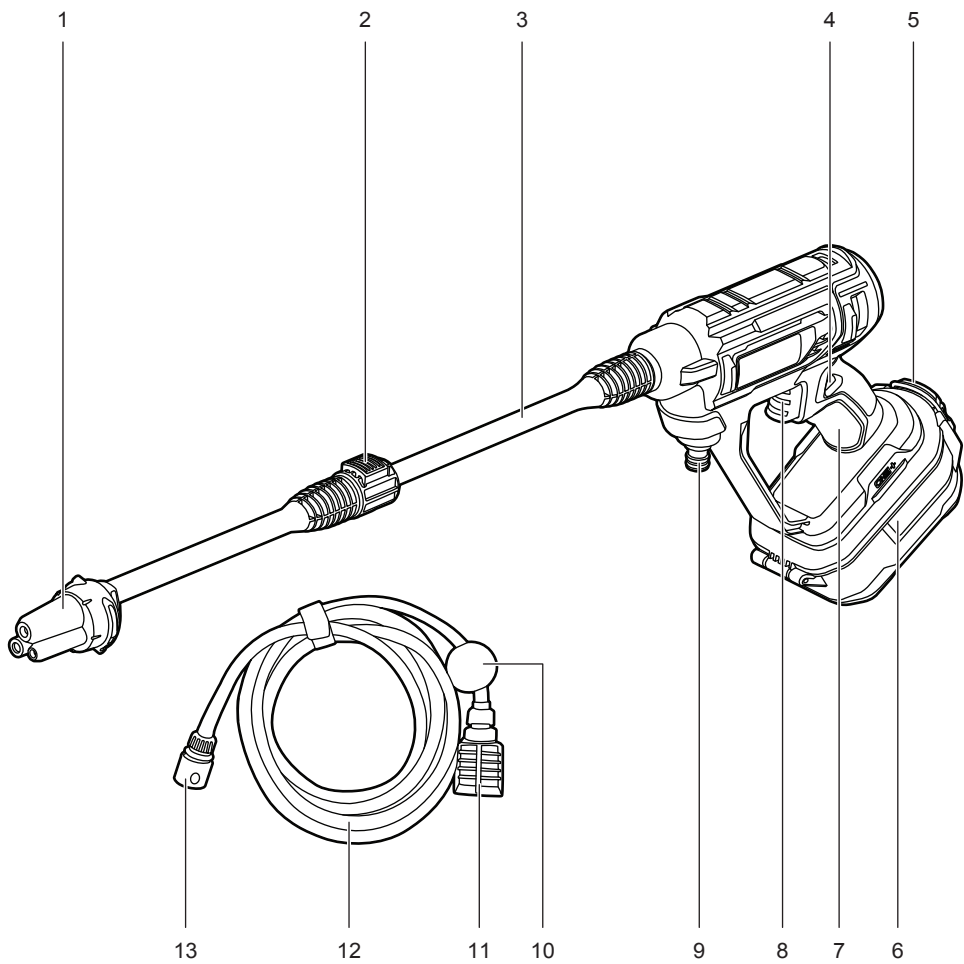


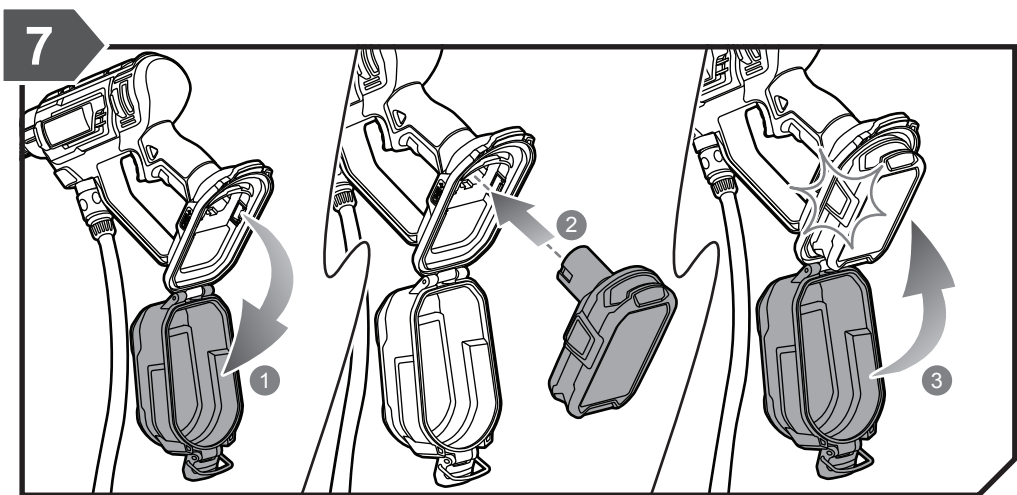
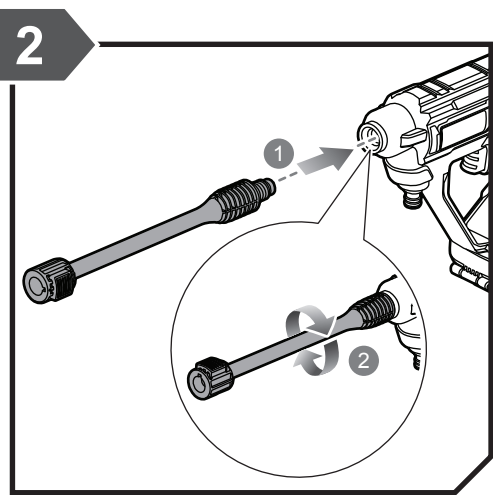
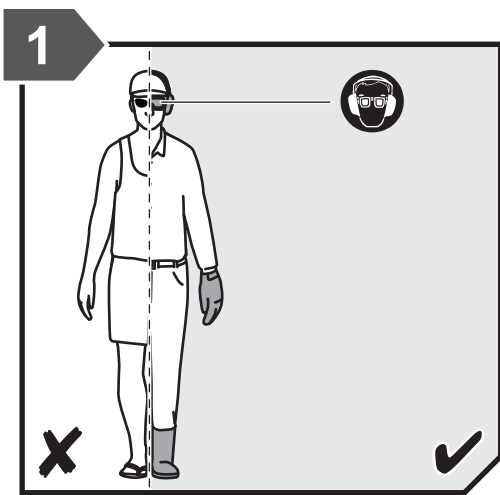
x 1

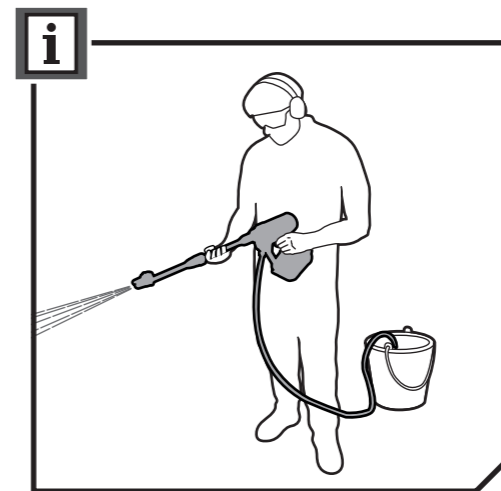
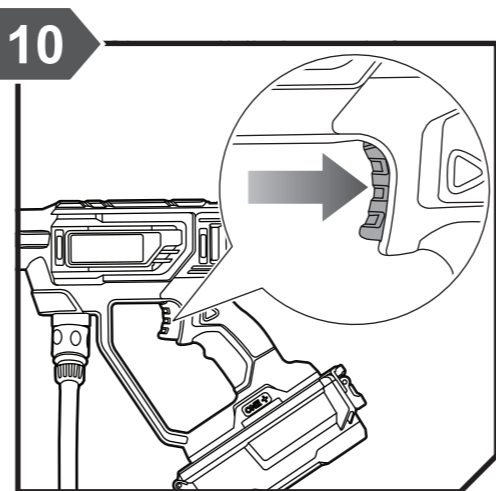
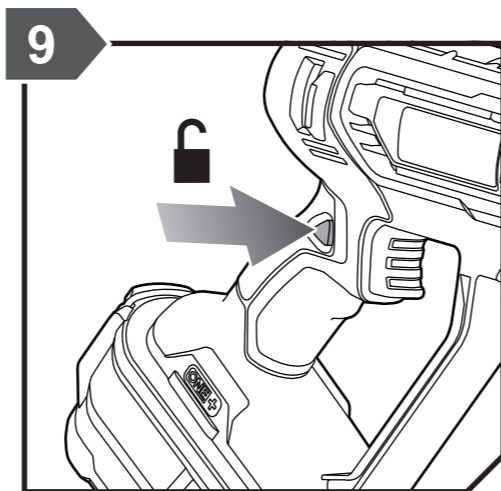
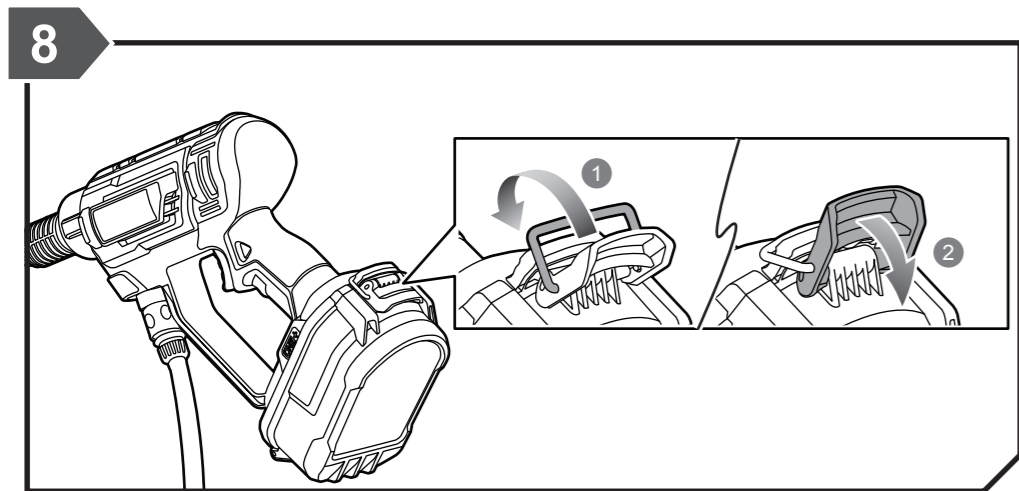
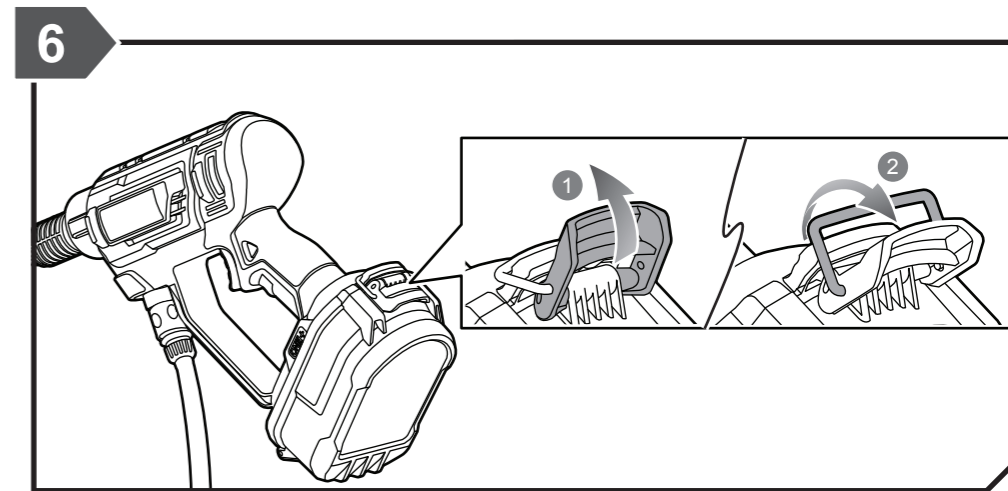
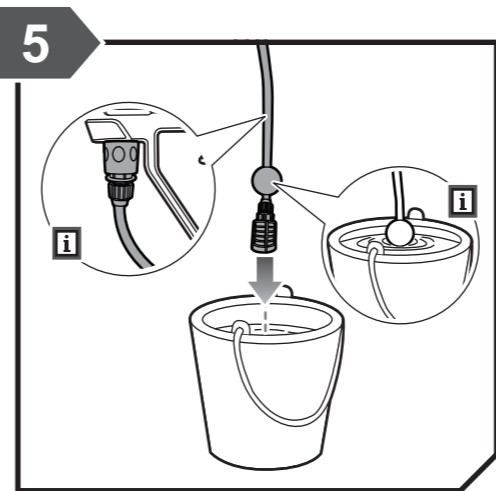
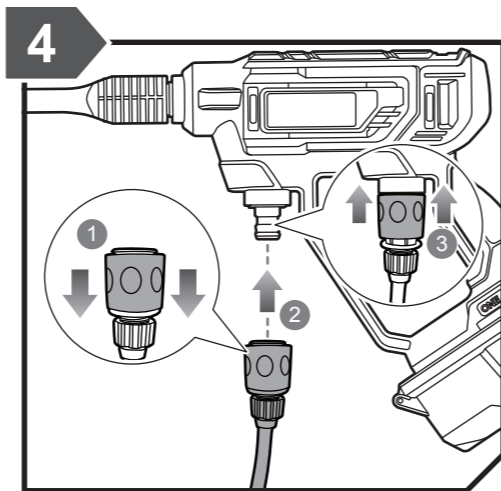
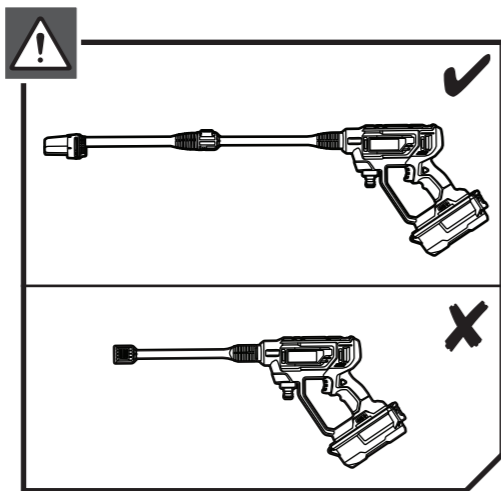
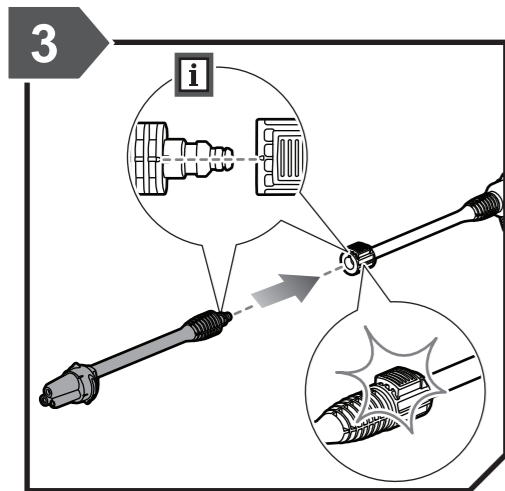


x 1



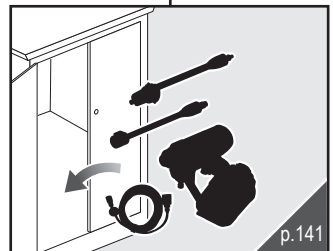
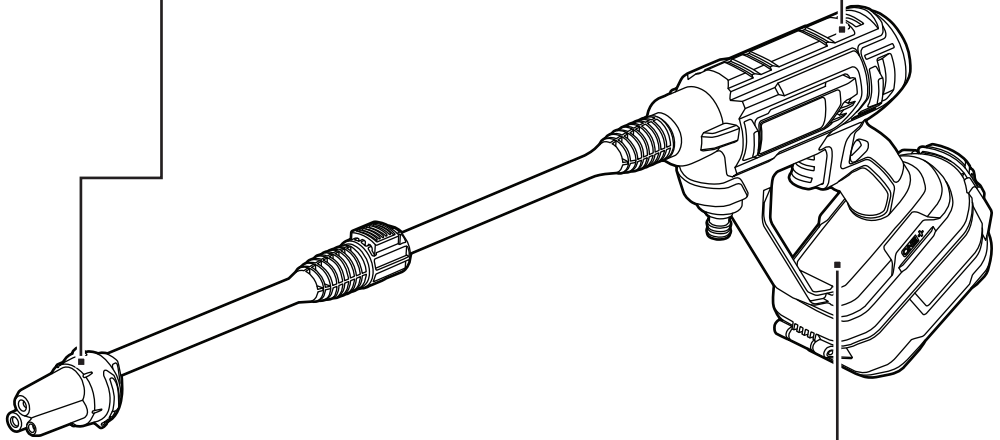
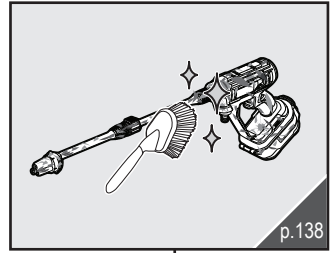
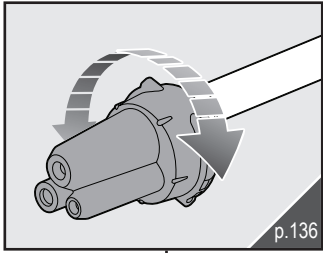


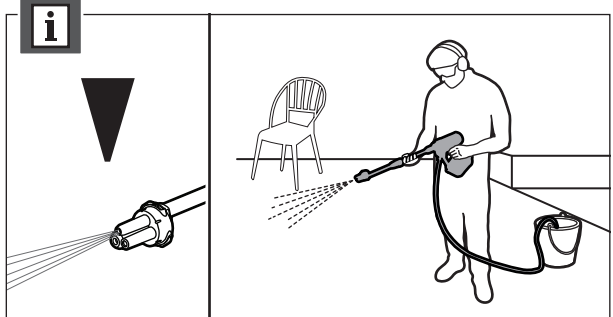
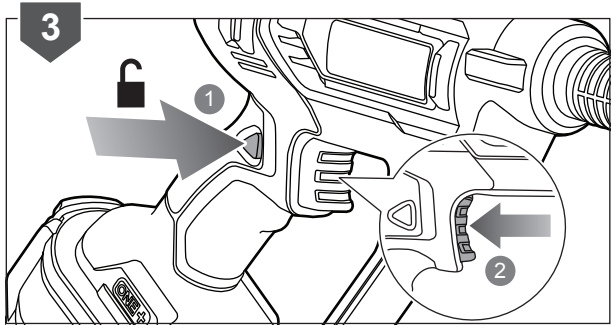
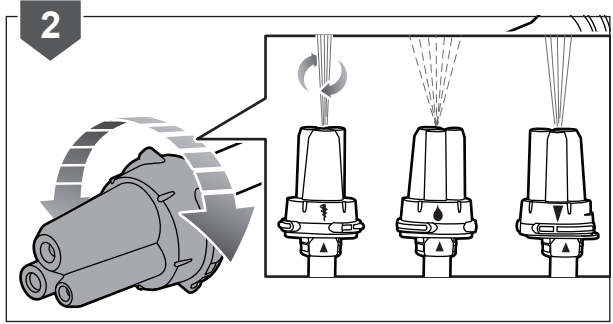
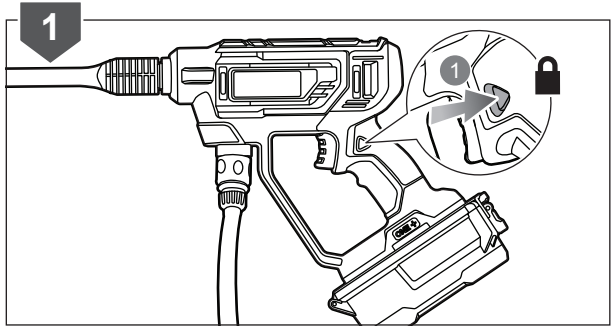
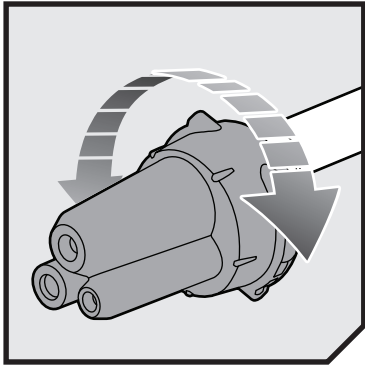


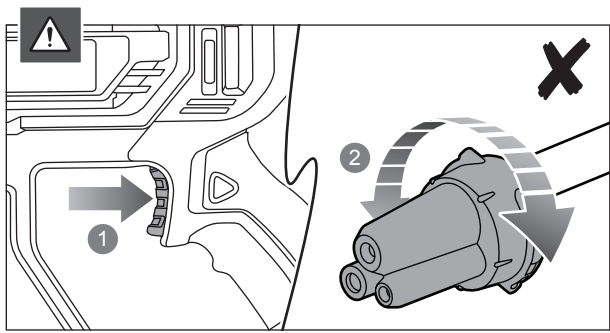
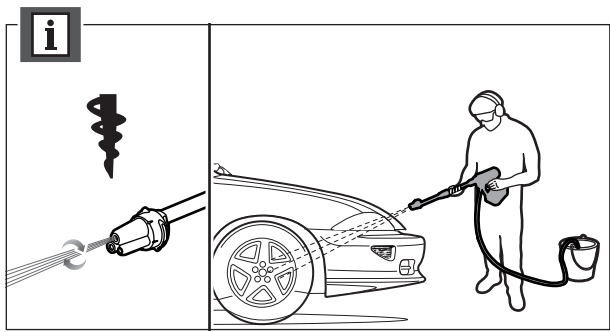
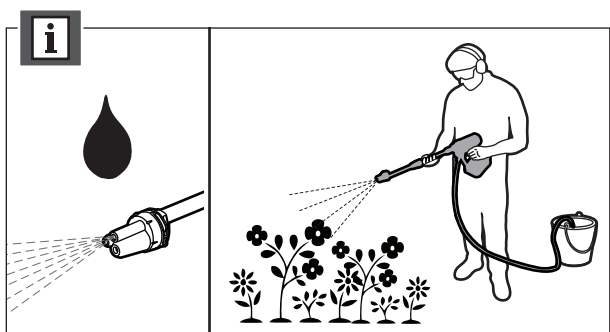


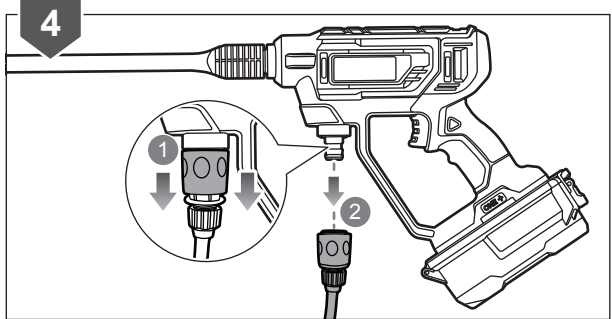
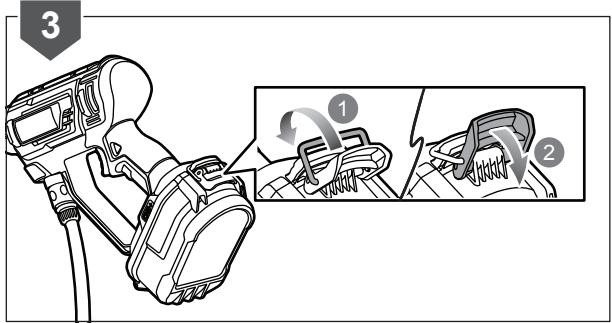
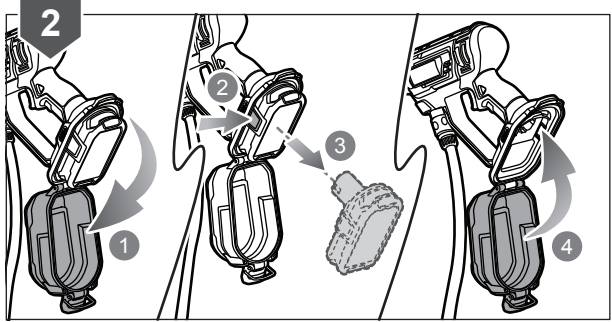
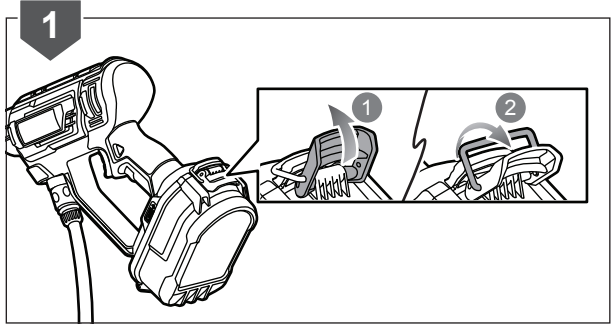
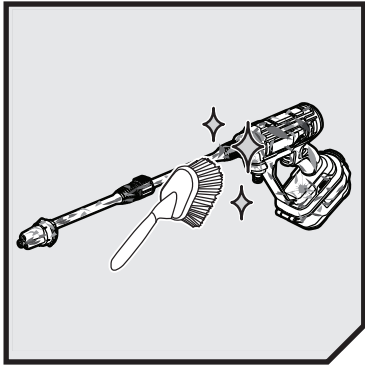


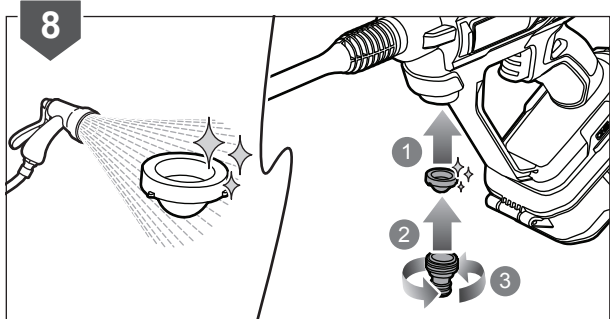
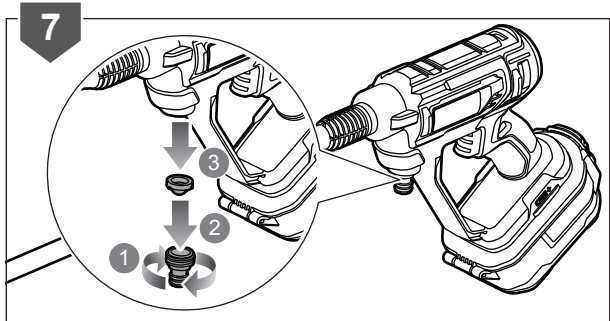
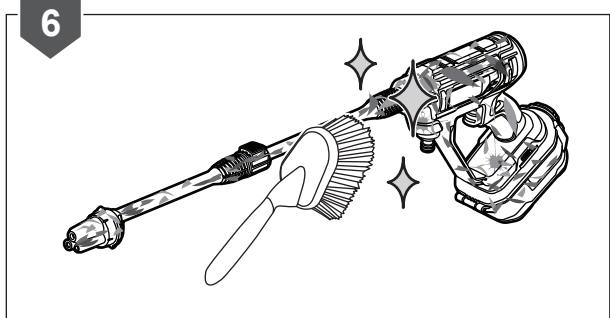
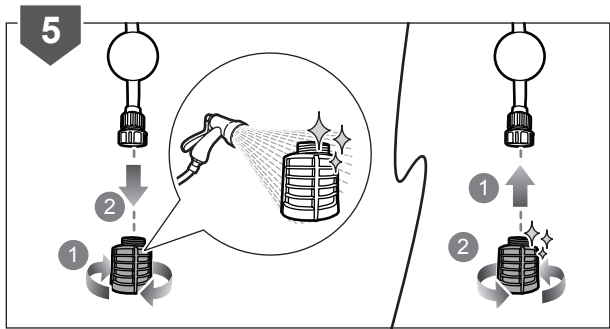


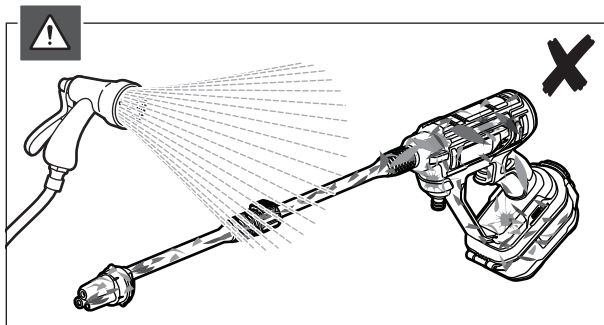


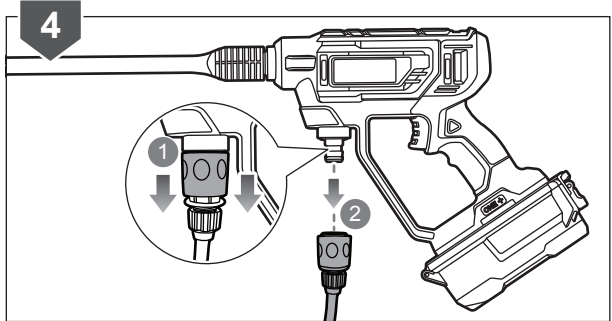
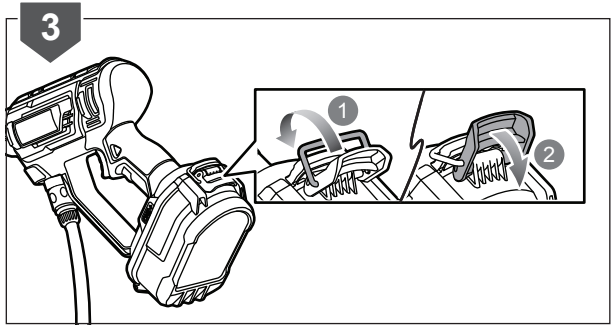
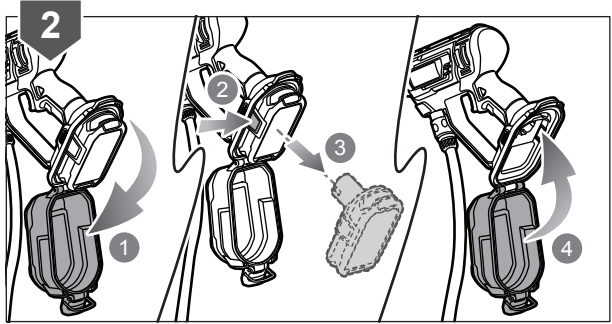
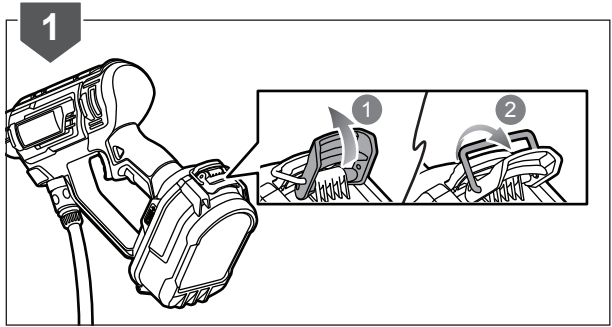


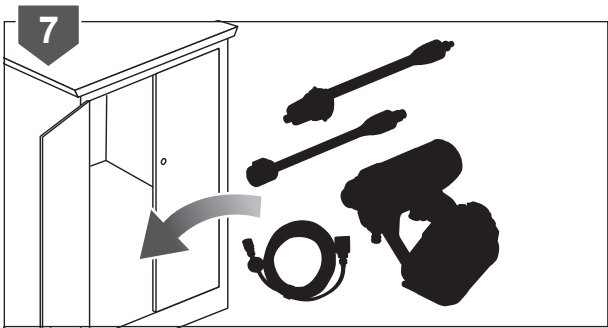
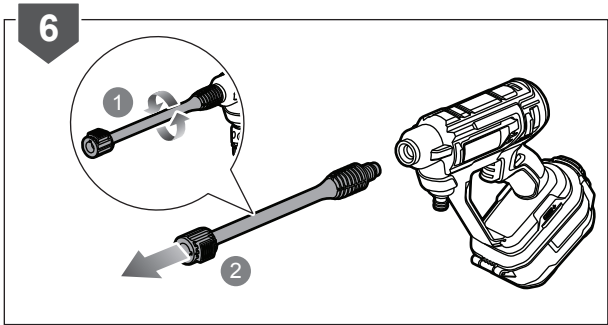
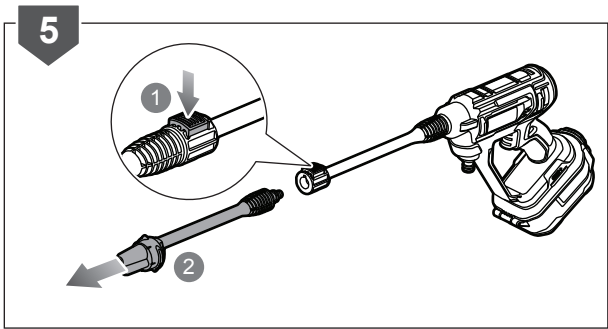
















English	Français	Deutsch	Español	Italiano	Nederlands
<b>Product specifications</b>	<b>Caractéristiques produit</b>	<b>Produkt-Spezifikationen</b>	<b>Características del producto</b>	<b>Caratteristiche del prodotto</b>	<b>Productgegevens</b>
Cordless Power Washer	Nettoyeur haute-pression sans fil	Akku-Mitteldruckreiniger	Limpiador eléctrico inalámbrico	Pulitore a batteria	Snoerloze elektrische reiniger
Model	Modèle	Modell	Modelo	Modello	Model
Rated voltage	Tension nominale	Nennspannung	Tensión nominal	Voltaggio nominale	Toegekende spanning
Weight	Poids	Gewicht	Peso	Peso	Peso
Maximum pressure	Pression maximale	Maximaler Druck	Presión máxima	Pressione massima	Maximale druk
Rated pressure	Pression nominale	Nendruck	Presión nominal	Pressione nominale	Beoordeelde druk
Dilution ratio	Taux de dilution	Verdünnungsverhältnis	Proporción de disolución	Rapporto di diluizione	Verhouding voor verduunning
Rated flow	Flux nominal	Nennfluss	Flujo nominal	Portata nominale	Beoordeeld debiet
Max. flow	Flux max.	Max. Fluss	Flujo máx.	Portata massima	Max. debiet
Max. inlet water pressure	Pression d'entrée d'eau (maximum)	Einlasswasserdruck (maximal)	Presión de entrada de agua (máxima)	Pressione d'ingresso dell'acqua (massima)	Druk van watertoevoer (maximum)
Maximum garden hose length	Longueur maximale: Tuyau de jardin	Maximale Länge: Gartenschlauch	Longitud máxima: Manguera de jardín	Lunghezza massima: tubo da giardino	Maximale lengte: Tuin slang
Minimum garden hose diameter	Diamètre minimum: Tuyau de jardin	Minimaler Durchmesser: Gartenschlauch	Diámetro mínimo: Manguera de jardín	Diametro minimo: tubo da giardino	Minimale diameter: Tuin slang

Battery and charger	Batterie et chargeur	Akku und Ladegerät	Bateria y cargador	Batteria e caricatore	Accu en oplader
Model	Modèle	Modell	Modelo	Modello	Model
Compatible battery packs	Packs batterie compatibles	Kompatible Akkus	Paquetes de batería compatibles	Gruppo batterie compatibili	Compatibele accupacks
Compatible chargers	Chargeur compatible	Kompatible Ladegeräte	Cargador compatible	Caricatore compatibile	Compatibele oplader

accessories	Accessoires	Zubehör	Accesorios	Accessori	Accessoires
20L Water Bag	Poche d'eau de 20 litres	20l-Wasserbeutel	Bolsa de agua de 20 litros	Sacca dell'acqua da 20 L	20 l Waterzak
Stone Detergent	Détergent pour pierres	Steinreiniger	Detergente para piedra	Detergente per la pietra	Reinigungsmiddel voor steen
Foam Detergent	Détergent moussant	Schaumreiniger	Detergente de espuma	Detergente schiuma	Schuimvormend reinigungsmiddel
Universal Detergent	Détergent universel	Universalreinigungsmittel	Detergente universal	Detergente universale	Universeel reinigungsmiddel
Wood Detergent	Détergent pour bois	Holzreiniger	Detergente para madera	Detergente per il legno	Reinigungsmiddel voor hout
Syphoning Kit	Kit de syphonage	Absaugungsset	Kit de sifón	Kit sifone	Afzuigset
Detergent Bottle	Bouteille de détergent	Reinigungsmittelflasche	Botella para detergente	Fiacone di detergente	Reinigungsmiddelfles
Wheel Brush	Roue de brosse	Radbürste	Cepillo para llantas	Spazzola a ruote	Borstelschijf
Fixed Brush	Brosse fixe	Feststehende Bürste	Cepillo fijo	Spazzola fissa	Vaste borstel
2L Bottle Adapter	Adaptateur de bouteille	Adapter für 2l-Flaschen	Adaptador para botella de 2 litros	Adattatore flacone da 2L	2 l Flesadapter



Português	Dansk	Svenska	Suomi	Norsk	Русский	
<b>Características do aparelho</b>	<b>Produktspecifikationer</b>	<b>Produktspecifikationer</b>	<b>Tuotteen tekniset tiedot</b>	<b>Produktspesifikasjoner</b>	<b>Характеристики изделия</b>	
Máquina de lavar sem fios	Batteridreven højtryksrensér	Sladdlös högtryckstvätt	kkukäyttöinen painepesuri	Kabelfri høytrykkspsylér	Беспроводная мойка высокого давления	
Modelo	Model	Modell	Malli	Modell	Модель	RY18PW22A
Tensão nominal	Mærkespænding	Spänning	Nimellisjännite	Nominell spenning	Номинальное напряжение	18 V DC
Peso	Vikt	Vægt	Vekt	Paino	Вес	2 kg
Pressão máxima	Maksimaltryk	Maximalt tryck	Maksimipaine	Maksimalt trykk	Максимальное давление	24.8 bar
Pressão nominal	Dimensjoneringstryk	Nominellt tryck	Nimellisaine	Nominelt trykk	Номинальное давление	22 bar
Proporção de diluição	Fortyndingsforhold	Utspádningsfaktor	Laimennussuhde	Fortynningsforhold	Степень разбавления	1:20
Caudal nominal	Specificeret gennemstrømning	Nominellt flöde	Nimellisvirtaus	Nominell vannstrøm	Номинальная пропускная способность	182 L/hr
Caudal máx.	Maks. gennemstrømning	Max. flöde	Maksimivirtaus	Maks vannstrøm	Максимальная пропускная способность	270 L/hr
Pressão de água à entrada (máximo)	Vandindløbstryk (max)	Inloppsvattentryck (max)	Tuloveden paine (max.)	Inntakstrykk (maksimalt)	Давление воды на впуске (максимум)	7 bar
Comprimento máximo: Mangueira de jardim	Maks. længde: Haveslange	Maximal längd: Trädgårdsslang	Maksimipituus: Puutarhaletku	Maks lengde: Hageslange	Максимальная длина: Садовый шланг	6 m
Diâmetro mínimo: Mangueira de jardim	Min. diameter: Haveslange	Minsta diameter: Trädgårdsslang	Minimihalkaisija: Puutarhaletku	Minste diameter: Hageslange	Минимальный диаметр: Садовый шланг	8 mm

Bateria e carregador	Batteri og oplader	Batteri och batteriladdare	Akku ja laturi	Batteri og lader	Аккумуляторная батарея и зарядное устройство	
Modelo	Model	Modell	Malli	Modell	Модель	RY18PW22A-0
Baterias compatíveis	Kompatible batterier	Kompatibla batteripaket	Yhteensopivat akut	Kompatible batteripakker	Совместимая аккумуляторная батарея	RB18L13, RB18L26, RB18L15, RB18L15A, RB18L15B, RB18L25, RB18L25A, RB18L25B, RB18L40, RB18L40A, RB18L50, RB18L50A, RB18L20, RB18L20A, RB18L30, RB18L30A, RB18L50, RB18L60A, RB18L90, RB18L90A
Carregador compatível	Kompatibel oplader	Kompatibel laddare	Yhteensopiva laturi	Kompatibel lader	Совместимое зарядное устройство	BCS618G, BCL14181H, BCL14183H, BCL14181V, RC18150U, RC18627U, RC18120, RC18115

Acessórios	Tilbehør	Tillbehör	Lisälaitteet	Tilbehør	Принадлежности	
Saco de água de 20 L	20 L vandpose	20 liters vattensäck	20 litran vesisäiliö	20 l vannpose	Резервуар для воды 20 л	RAC717
Detergente para pedra	Stenrensemiddel	Rengöringsmedel för sten	Kivipesuaine	Steinrengjøringsmiddel	Средство для очистки каменных поверхностей	RAC731
Detergente em espuma	Skumrensemiddel	Skumrengöringsmedel	Vaahtopesuaine	Skumrengjøringsmiddel	Пенный очиститель	RAC732
Detergente universal	Universalrensemiddel	Universalrengöringsmedel	Yleispesuaine	Universalt rengjøringsmiddel	Универсальное чистящее средство	RAC733
Detergente para madeira	Trærrensemiddel	Rengöringsmedel för trä	Puupesuaine	Trerengjøringsmiddel	Средство для очистки деревянных поверхностей	RAC734
Kit para sifões	Hævertøst	Uppsugningsatts	Sifonisarja	Sifongsett	Комплект сифона	RAC747
Garrafa de detergente	Flaske med rengøringsmiddel	Rengöringsmedelsflaska	Pesuainepullo	Rengjøringsmiddelflaske	Бутылка для моющего средства	RAC748
Disco de escova de arame	Hjulbørste	Hjulborste	Vanneharja	Hjulbørste	Круглая щетка	RAC749
Escova fixa	Fast børste	Fast borste	Kiinteä harja	Fast børste	Неподвижная щетка	RAC750
Adaptador para garrafa de 2 L	2 L flaskeadapter	2 liters flaskadapter	2 litran pullosovitin	2 l flaskeadapter	Адаптер для бутылки 2 л	RAC751





Polски	Čeština	Magyar	Română	Latviski	Lietuviškai	Eesti
<b>Parametry techniczne</b>	<b>Technické údaje produktu</b>	<b>Termék műszaki adatai</b>	<b>Specificațiile produsului</b>	<b>Produkta specifikācijas</b>	<b>Gaminio techninės savybės</b>	<b>Toote tehnilised andmed</b>
Mylka bezprzewodowa	Akumulátorový vysokotlaký čistič	Akkumulátoros magasnyomású mosó	Aparat electric de spălat, fără fir	Akumulatora augstspiediena mazgātājs	Akumulatorinis aukšto slėgio plovimo įrenginys	Juhtmeta survepesur
Model	Model	Típus	Model	Modelis	Modelis	Mudel
Napięcie znamionowe	Jmenovité napětí	Névleges feszültség	Tensiunea nominală	Nominālais spriegums	Nomināli jūtampa	Nimipinge
Greutate	Waga	Bec	Tömeg	Teža	Težina	Mass
Ciśnienie maksymalne	Maximální tlak	Legnagyobb nyomás	Presiune maximă	Maksimālais spiediens	Maksimālais spiediens	Maksimaalne surve
Ciśnienie znamionowe	Jmenovitý tlak	Névleges nyomás	Presiune nominală	Nominālais spiediens	Nominālais spiediens	Nimirohk
Współczynnik rozcieńczenia detergentu	Poměr ředění	Hígítási arány	Raport de diluare	Atšķaidīšanas proporcija	Skiedimo santykis	Lahjendusaste
Znamionowe natężenie przepływu	Jmenovitý průtok	Névleges áramlás	Debit nominal	Nominālais plūsma	Vardinis srautas	Nominaalne vooluhulk
Maksymalne natężenie przepływu	Maximální průtok	Max. áramlás	Debit maxim	Maksimālā plūsma	Maks. srautas	Max vooluhulk
Wlotowe ciśnienie wody (maks.)	Tlak přivodní vody (maximální)	Bemeneti víznyomás (maximális)	Presiune de alimentare (maximum)	Ūdens spiediens ieplūdē (maksimālais)	Tiekiamo vandens slėgis (maksimali)	Sisendvee rõhk (maksimum)
Długość maksymalna: Wąż ogrodowy	Maximální délka: Zahradní hadice	Maximális hossz: Locsolótömlő	Lungime maximă: Furtun de grădină	Maksimālais garums: Dārza šjtene	Maksimālais ilgis: Sodo žarna	Maksimaalne pikkus: Aiavoolik
Srednica minimalna: Wąż ogrodowy	Minimalní průměr: Zahradní hadice	Minimális átmérő: Locsolótömlő	Diametru minim: Furtun de grădină	Minimālais diametrs: Dārza šjtene	Minimalus skersmuo: Sodo žarna	Minimaalne läbimõõt: Aiavoolik

Akumulator i ladowarka	Nabječka a baterie	Akkumulátor és töltő	Bateria și încărcătorul	Akumulators un lādētājs	Akumulatorius ir įkroviklis	Aku ja laadija
Model	Model	Típus	Model	Modelis	Modelis	Mudel
Pasujące akumulatory	Kompatibilni akumulátory	Kompatibilis akkumulátorok	Akumulatori compatibili	Savietojami akumulatoru komplekti	Suderinami baterijos paketai	Ühilduvad akupaketid
Zgodna ladowarka	Kompatibilni nabječka	Kompatibilis töltő	Încărcător compatibil	Saderīgs lādētājs	Suderinamas įkroviklis	Ühilduv laadija

Akcesoria	Příslušenství	Kiegészítők	Accesorii	Piederumi	Priedai	Tarvikud
Buklak na wodę 20 l	20l vak na vodu	20 l-es víztartály	Recipient de apă de 20L	20L ūdens maiss	20 l talpos vandens maišas	20 l veekott
Detergent do kamienia	Čističí prostředek na kámen	Kővezet-tisztítószer	Detergent pentru suprafețe de piatră	Mazgāšanas līdzeklis akmenim	Akmens ploviklis	Kivipuhastusvahend
Detergent pieniący się	Pěňivý čističí prostředek	Habos tisztítószer	Detergent cu spumare	Putojošs mazgāšanas līdzeklis	Putojantis ploviklis	Vahutav puhastusvahend
Detergent uniwersalny	Univerzální čističí prostředek	Univerzális tisztítószer	Detergent universal	Universālais mazgāšanas līdzeklis	Universālais ploviklis	Universaalne puhastusvahend
Detergent do drewna	Čističí prostředek na dřevo	Fatisztítószer	Detergent pentru lemn	Mazgāšanas līdzeklis kokam	Medienos ploviklis	Puidupuhastusvahend
Zestaw do syfonowania	Sada trysek	Szívócső készlet	Kit de sifonare	Sifona komplekts	Sifonų valymo komplektas	Imikomplekt
Butelka na detergent	Lahev na saponát	Tisztítószeres palack	Sticlă de detergent	Mazgāšanas šļūdma pudele	Ploviklio indas	Puhastusvahendi pudel
Szczotka obrotowa	Kartáč na kola	Kefehenger	Perie rotativă	Rīteņu birste	Sukamasis šepetys	Ketashari
Szczotka nieruchoma	Pevný kartáč	Rögzített kefe	Perie fixă	Nekustīgā birste	Fiksuotasis šepetys	Pesuhari
Adapter butli 2 l	Adaptér na 2l lahev	2 l-es palackadapter	Adaptor sticlă de 2L	2L pudeles adapteris	2 l talpos indo adapteris	2 l pudeli adapter





Hrvatski	Slovensko	Slovenčina	България	Українська	Türkçe	
<b>Specifikacije proizvoda</b>	<b>Specifikacije izdelka</b>	<b>Špecifikácie produktu</b>	<b>Технически характеристики</b>	<b>Технічні характеристики пристрою</b>	<b>Ürün teknik özellikleri</b>	
Akumulatorski električni perlač	Brezžični visokotlačni čistilec	Elektrická akumulátorová umývačka	Безжична електрическа водоструйка	Акумуляторна мийка	Kablosuz Yıkama Makinesi	
Model	Model	Modelis	Модел	Модель	Model	RY18PW22A
Nazivni napon	Nazivna napetost	Menovité napätie	Номинален волтаж	Номинална напруга	Nominal voltaj	18 V DC
Masé	Svars	Hmotnosť	Тегло	Вага	Ağırlık	2 kg
Maksimalni tlak	Najvišji tlak	Maximálny tlak	Максимално налягане	Максималний тиск	Maksimum basınç	24.8 bar
Nazivni tlak	Nazivni tlak	Menovitý tlak	Номинално налягане	Номинални тиск	Ölçülmüş basınç	22 bar
Omjer razrjeđivanja	Razmerje redćenja	Pomer riedenia	Коефициент на разреждане	Коефіцієнт розведення	Sulandırma oranı	1:20
Nazivni protok	Nazivni pretok	Menovitý prietok	Номинален разход	Номинални потік	Ölçülmüş akış	182 L/hr
Maks. protok	Najvećji pretok	Max. prietok	Макс. разход	Максимални потік	Maks. akış	270 L/hr
Tlak vode na ulazu (maksimalno)	Dovodni vodni tlak (najveć)	Tlak vody na prívode (maximálne)	Налягане на водата на входа (максимално)	Макс. Впуски тиск води	Maks. Giriş su basıncı	7 bar
Maksimalna duljina: Vrtno crijevo	Najvećja dolžina: Vrtna cev za zalivanje	Maximálna dĺžka: Záhradná hadica	Максимална дължина: Градински маркуч	Максимална довжина: Садовий шланг	Maksimum uzunluk: Bahçe hortumu	6 m
Minimalni promjer: Vrtno crijevo	Najmanjši premer: Vrtna cev za zalivanje	Minimálny priemer: Záhradná hadica	Минимален диаметър: Градински маркуч	Минимални диаметър: Садовий шланг	Minimum çap: Bahçe hortumu	8 mm

Baterija i punjač	Baterija in polnilnik	Akumulátor a nabijačka	Батерия и зарядно устройство	Акумулятор і зарядний пристрій	Pil ve şarj cihazı	
Model	Model	Modelis	Модел	Модель	Model	RY18PW22A-0
Kompatibilna pakiranja baterija	Zdrüžljive baterije	Kompatibilné jednotky akumulátorov	Съвместими батерии	Сумісні акумуляторні блоки	Uyumlu pil takımları	RB18L13, RB18L26, RB18L15, RB18L15A, RB18L15B, RB18L25, RB18L25A, RB18L25B, RB18L40, RB18L40A, RB18L50, RB18L50A, RB18L20, RB18L20A, RB18L30, RB18L30A, RB18L60, RB18L60A, RB18L90, RB18L90A
Kompatibilni punjači	Zdrüžljiv polnilnik	Kompatibilná nabijačka	Съвместимо зарядно устройство	Сумісний зарядний пристрій	Uyumlu şarj cihazı	BCS618G, BCL14181H, BCL14183H, BCL14181V, RC18150U, RC18627U, RC18120, RC18115

Pribor	Dodatki	Príslušenstvo	Приспособления	Приладдя	Aksesuarlar	
Vreća za vodu od 20 l	Vodna vreća 20 L	20-litrový vak na vodu	Контейнер за вода 20 L	Бак для води ємністю 20 л	20L Su Torbası	RAC717
Deterđzent za čišćenje kamena	Detergent za kamen	Detergent na čistenie kameňa	Препарат за камък	Миочий засіб для каміння	Taş Deterjanı	RAC731
Deterđzent s pjenom	Peneći se detergent	Penový detergent	Препарат за пяна	Миочий засіб	Köpüklü Deterjan	RAC732
Univerzalni deterđzent	Univerzalni detergent	Univerzálny detergent	Универсален препарат	Універсальний миочий засіб	Universal Deterjan	RAC733
Deterđzent za čišćenje drvenih površina	Detergent za les	Detergent na čistenie dreva	Препарат за дърво	Миочий засіб для деревини	Ahşap Deterjanı	RAC734
Komplet za sifoniranje	Komplet za odsesavanje	Súprava na čistenie odsávanie	Набор за сифони	Набір для сифону	Çekme Kiti	RAC747
Boca za deterđzent	Posoda z detergentom	Fľaša na detergent	Бутилка за препарат	Бачок для миочого засобу	Deterjan Şişesi	RAC748
Rotirajuća četka	Krtača za kolesa	Kotúčová kefa	Четка за почистване на джанти	Дискова щетка	Tekerlek Fırçası	RAC749
Fiksna četka	Fiksna krtača	Pevne namontovaná kefa	Фиксирана четка	Нерухома щетка	Sabit Fırça	RAC750
Adapter za boce od 2 l	Adapter za posodo 2 L	Adaptér na 2-litrovú fľašu	Адаптер за бутилка 2 L	Адаптер для бачка ємністю 2 л	2L Şişe Adaptörü	RAC751



## EN RYOBI® WARRANTY APPLICATION CONDITIONS

In addition to any statutory rights resulting from the purchase, this product is covered by a warranty as stated below.

- The warranty period is 24 months for consumers and commences on the date when the product was purchased. This date has to be documented by an invoice or other proof of purchase. The product is designed and dedicated to consumer and private use only. So there is no warranty provided in case of professional or commercial use. This warranty applies only on new products.
- There is a possibility to extend for a part of the range of power tools (AC/DC) the warranty period over the period described above using the registration on the [www.ryobitools.eu](http://www.ryobitools.eu) website. The eligibility of products for extended warranty is clearly displayed in stores and / or on packaging and is contained within the product documentation. The end user is required to register his/her newly-acquired products online within 30 days from the date of purchase. The end user may register for the extended warranty in his/her country of residence if listed on the online registration form where this option is valid. Furthermore, end users must give their consent to the storage of their personal data that is required to be entered online. They must also accept the terms and conditions. The registration confirmation receipt, which is sent out by e-mail, and the original invoice showing the date of purchase will serve as proof of the extended warranty.
- The warranty covers all defects of the product during the warranty period due to faults in workmanship or material at the purchase date. The warranty is limited to repair and/or replacement and does not include any other obligations including but not limited to incidental or consequential damages. The warranty is not valid if the product has been misused, used contrary to the instruction manual, or has been incorrectly connected to a power supply. This warranty does not apply to:
  - any damage to the product that is the result of improper or lack of maintenance
  - any product that has been altered or modified
  - any product where original identification (trade mark, serial number) markings have been defaced, altered or removed
  - any damage caused by non-observance of the instruction manual
  - any product not displaying the CE approval mark on the rating plate
  - any product that has been attempted to be repaired by a non-authorised warranty service centre or without prior authorisation by Techtronic Industries
  - any product connected to improper power supply (amps, voltage, frequency)
  - any product used with inappropriate fuel mixture (fuel, oil, ratio of oil/ fuel mixture)
  - any damage caused by external influences (water, chemical, physical, shocks) or foreign substances
  - normal wear and tear spare parts
  - inappropriate use, overloading of the tool
  - use of non-approved accessories or parts
  - Accessories provided with the tool or purchased separately including but not limited to blades, saw chains, cutting lines, etc.
  - Any periodic adjustments to or maintenance cleaning of carburettors
  - Components (parts and accessories) subject to natural wear and tear, including but not limited to bump knobs, drive belts, clutch, blades of hedge trimmers or lawn mowers, harness, cable throttle, carbon brushes, power cord, tines, felt washers, hitch pins, blower fans, blower and vacuum tubes, vacuum bag and straps, guide bars, saw chains, hoses, connector fittings, spray nozzles, wheels, spray wands, inner reels, outer spools, cutting lines, spark plugs, air filters, gas filters, mulching blades, etc.
- For servicing, the product must be sent or presented to a RYOBI authorised service station listed for each country in the following list of service station addresses. In some countries your local RYOBI dealer undertakes to send the product to the RYOBI service organisation. When sending a product to a RYOBI service station, the product should be safely packed without any dangerous contents such as petrol, marked with sender's address and accompanied by a short description of the fault.
- A repair / replacement under this warranty is free of charge. It does not constitute an extension or a new start of the warranty period. Exchanged parts or products become our property. In some countries delivery charges or postage will have to be paid by the sender. Your statutory rights arising from the purchase of the product remain unaffected.
- This warranty is valid in the European Community, Switzerland, Iceland, Norway, Liechtenstein, Turkey and Russia. Outside these areas, please contact your authorised RYOBI dealer to determine if another warranty applies.

### AUTHORISED SERVICE CENTRE

To find an authorised service centre near you, visit <http://uk.ryobitools.eu/header/service-and-support/service-agents>.

## FR RYOBI® CONDITIONS D'APPLICATION DE LA GARANTIE

En plus des droits statutaires liés à l'achat, ce produit est couvert par une garantie telle que décrite ci-dessous.

- La durée de la garantie accordée au consommateur est de 24 mois à partir de la date d'achat. Cette date doit être authentifiée par une facture ou tout autre preuve d'achat. Le produit a été conçu en vue d'une utilisation strictement privée. Aucune garantie ne s'applique donc en cas d'utilisation professionnelle ou commerciale.
- Il existe pour une partie de la gamme « jardin » (AC/DC), une possibilité d'étendre la période de garantie au-delà de la période précédemment décrite en utilisant le formulaire d'enregistrement présent sur le site Internet [www.ryobitools.eu](http://www.ryobitools.eu). L'éligibilité d'un outil est clairement affichée dans les points de vente et/ou sur l'emballage et la documentation. L'utilisateur final doit enregistrer son/ses outil(s) nouvellement acheté(s) en ligne dans les 30 jours qui suivent la date d'achat. L'utilisateur a la possibilité de s'enregistrer pour l'extension de garantie dans son pays de résidence si celui-ci est listé dans le formulaire d'enregistrement en ligne où cette option est validée. L'utilisateur final doit donner son consentement pour l'enregistrement des données requises pour accéder au site et doit accepter les termes et conditions. La confirmation d'enregistrement, envoyée par courrier électronique, ainsi que la facture originale mentionnant la date d'achat serviront de preuve de l'extension de garantie.
- La garantie couvre pendant la période de garantie les défauts des produits liés à la fabrication et aux matériaux à la date d'achat. La garantie est limitée à la réparation et/ou au remplacement et n'inclut aucune autre obligation, tel que, mais sans s'y limiter, les dommages accessoires ou indirects. La garantie est non valable en cas de mauvaise utilisation du produit, d'utilisation contraire aux instructions du mode d'emploi, ou en cas de branchement incorrect. Cette garantie ne s'applique pas pour :
  - tout dommage au produit résultant d'un mauvais entretien
  - tout produit ayant été altéré ou modifié
  - tout produit dont les marquages originaux d'identification (marque, numéro de série) ont été dégradés, altérés ou retirés
  - tout dommage causé par le non-respect des instructions du mode d'emploi
  - tout produit non CE
  - tout produit ayant subi une tentative de réparation par du personnel non qualifié ou sans autorisation préalable de Techtronic Industries
  - tout produit raccordé à une alimentation secteur non conforme (ampérage, voltage, fréquence)
  - tout produit utilisé avec un mélange inapproprié (essence, huile, pourcentage d'huile)
  - tout dommage causé par des influences extérieures (chimiques, physiques, chocs) ou par des substances étrangères
  - l'usure normale des pièces consommables
  - une utilisation inappropriée, une surcharge de l'outil
  - l'utilisation de pièces ou accessoires non agréés
  - Tout réglage périodique ou tout nettoyage de maintenance des carburateurs
  - les composants (pièces et accessoires) sujets à une usure naturelle, incluant de façon non exhaustive les têtes de fil à frapper, les courroies de transmission, les embrayages, les lames des taille-haies ou des tondeuses à gazon, les harnais, les câbles d'accélérateur, les charbons, les cordons d'alimentation, les fraises de cultivateurs, les rondelles feutre, les goupilles de fraise, les turbines et lame de broyage des souffleurs, les tubes de soufflage et d'aspiration des souffleurs, les sacs de souffleurs et leurs lanières, les guides-chaîne, les chaînes de tronçonneuses, les tuyaux et raccords, les buses et lances de nettoyeurs haute pression, les roues, les recharges de fil des têtes de coupe, les têtes de coupe, le fil de coupe, les bougies d'allumage, les filtres à air, les filtres à essence, etc.
- Si le produit doit être réparé, envoyez-le à un service après-vente agréé RYOBI dont vous trouverez ci-dessous la liste pour chaque pays. Dans certains pays, votre revendeur RYOBI se chargera d'envoyer le produit à un centre de réparation RYOBI. Lorsque vous envoyez un produit à un service après-vente RYOBI, celui-ci doit être correctement emballé, sans contenir aucun produit dangereux tel que de l'essence, et vous devez indiquer votre adresse ainsi qu'une courte description du problème.
- Une réparation / un remplacement sous garantie est gratuit(e). Ceci ne constituera pas une extension de garantie ni un nouveau départ de la période de garantie. Les pièces ou les outils remplacés deviennent notre propriété. Dans certains pays, les frais de port devront être assumés par l'expéditeur. Vos droits statutaires restent inchangés.
- Cette garantie est valable au sein de l'Europe, de la Suisse, de l'Islande, de la Norvège, du Liechtenstein, de la Turquie, de la Russie. En dehors de ces zones, veuillez contacter votre distributeur agréé RYOBI pour déterminer si une autre garantie s'applique.

### SERVICE APRÈS-VENTE AGRÉÉ

Pour trouver le service après-vente agréé le plus proche, rendez-vous sur <http://fr.ryobitools.eu/header/service-and-support/service-agents>

## DE RYOBI® GARANTIEBEDINGUNGEN

Zusätzlich zu den gesetzlichen Rechten aus dem Kauf gilt für dieses Produkt die nachstehend aufgeführte Garantie.

- Der Garantiezeitraum beträgt für Verbraucher 24 Monate und beginnt mit dem Datum des Kaufs. Dieses Datum muss durch eine Rechnung oder einen anderen Kaufbeleg dokumentiert werden. Dieses Produkt wurde ausschließlich zur privaten Nutzung durch Verbraucher entwickelt. Für den Fall einer professionellen bzw. kommerziellen Nutzung besteht daher keine Garantie.
- Es besteht die Möglichkeit, für einen Teil des Sortiments der Gartenwerkzeuge (AC/DC) den Garantiezeitraum über den oben genannten Zeitraum hinaus zu verlängern, indem der Verbraucher die Registrierung auf der Website [www.ryobitools.eu](http://www.ryobitools.eu) durchführt. Die Berechtigung der Werkzeuge für die Garantieverlängerung ist deutlich im Geschäft und/oder auf der Verpackung beschrieben und in der Produktdokumentation erwähnt. Der Verbraucher muss das neu erworbene Gerät online innerhalb von 30 Tagen ab dem Kaufdatum registrieren. Der Verbraucher kann das Gerät zwecks Garantieverlängerung in seinem Wohnsitzland/Heimatland registrieren, wenn dieses Land auf dem Online-Registrierungsformular aufgeführt und die Option gültig ist. Darüber hinaus muss der Verbraucher seine Zustimmung zur Speicherung der Daten geben, die online eingegeben werden müssen, und er muss die allgemeinen Geschäftsbedingungen akzeptieren. Die Bestätigung der Registrierung, die per E-Mail versandt wird, und die Originalrechnung mit dem Kaufdatum gelten als Beleg für die Garantieverlängerung.
- Die Garantie deckt alle Defekte des Geräts während des Garantiezeitraums ab, die auf zum Zeitpunkt des Kaufs bestehende Verarbeitungs- oder Materialfehler zurückzuführen sind. Die Garantie beschränkt sich auf Reparatur und/oder Ersatz und beinhaltet keine anderen Verpflichtungen, insbesondere keinen Schadenersatz für Folge- oder Nebenschäden. Die Garantie gilt nicht, wenn das Gerät fehlerhaft eingesetzt wurde, gegensätzlich zur Bedienungsanleitung eingesetzt wurde oder falsch angeschlossen wurde. Die Garantie gilt nicht für Folgendes:
  - Schäden am Gerät, die auf unkorrekte Wartung zurückzuführen sind
  - Geräte, an denen Veränderungen vorgenommen wurden
  - Produkte, bei denen die ursprüngliche Identifizierung (Handelsmarke, Seriennummer) unleserlich gemacht, verändert oder entfernt wurde
  - Schäden durch Nichtbeachtung der Bedienungsanleitung
  - nicht-CE-zertifizierte Geräte
  - Geräte, an denen durch nicht-qualifizierte Personen oder ohne vorherige Genehmigung von Techtronic Industries Reparaturversuche vorgenommen wurden
  - Geräte, die an unkorrekte Energiequellen (Ampere, Volt, Frequenz) angeschlossen wurden
  - Geräte, die mit einer fehlerhaften Treibstoffmischung (Treibstoff, Öl, Ölanteil) betrieben wurden
  - Schäden durch äußere Einflüsse (chemisch, physisch, Stöße) oder Fremdstoffe
  - normaler Verschleiß von Ersatzteilen
  - unangemessene Nutzung, Überlastung des Geräts
  - Nutzung nicht genehmigter Zubehörteile oder Ersatzteile
  - Regelmäßige Einstellung oder Wartungsreinigung des Vergasers
  - Komponenten (Ersatzteile und Zubehörteile), die natürlicher Verschleiß unterliegen, einschließlich, aber nicht begrenzt auf Service- und Wartungssets, Kohlebürsten, Lager, Spannvorrichtungen, SDS-Bohreraufnahme, Bit-Adapter, Netzkabel, Zusatzhandgriff, Transportkoffer, Schleifplatten, Staubbeutel, Staubabführungen, Filzunterlegscheiben, Bolzen und Federn von Schlagschraubern, einschließlich, aber nicht beschränkt auf Fadenköpfe, Antriebsriemen, Kupplungen, die Klängen von Heckenscharen oder Rasenmähern, Kabelstränge, Gaszüge, Zinken, Steckbolzen, Lüfter, Saug- und Gebläserohre oder Düsen, Fangsäcke und Gurte, Führungsschienen, Sägeketten, Schläuche, Verbinder, Sprühdüsen, Räder, Sprühstäbe, innere Rollen, äußere Spulen, Schneidfäden, Zündkerzen, Luftfilter, Benzin-/ Ölfilter, Hackseil-Messer usw.
- Zum Service muss das Gerät zu einer von RYOBI autorisierten Servicestation gebracht oder dorthin gesendet werden. Die Servicestationen für die einzelnen Länder sind in der folgenden Liste aufgeführt. In einigen Ländern sendet Ihr RYOBI-Händler vor Ort das Gerät an das RYOBI-Serviceunternehmen. Beim Einsenden an die RYOBI-Servicestation sollte das Gerät sicher verpackt sein, ohne gefährliche Inhalte wie Benzin, und es sollte mit der Adresse des Absenders und einer kurzen Beschreibung des Fehlers versehen sein.
- Eine Reparatur bzw. ein Ersatz gemäß dieser Garantie ist kostenlos. Hieraus ergibt sich weder eine Garantieverlängerung noch der Beginn eines neuen Garantiezeitraums. Die ausgetauschten Ersatzteile oder Werkzeuge gehen in unser Eigentum über. In einigen Ländern müssen die Zustellgebühren oder die Versandkosten vom Absender gezahlt werden. Ihre gesetzlichen Rechte aus dem Kauf des Geräts bleiben hiervon unberührt.
- Diese Garantie gilt in der Europäischen Union, der Schweiz, Island, Norwegen, Liechtenstein, der Türkei und Russland. Bitte wenden Sie sich außerhalb dieser Gebiete an Ihren autorisierten RYOBI-Händler, um festzustellen, ob eine andere Garantie gilt.

### AUTORISIERTER KUNDENDIENST

Besuchen Sie <http://de.ryobitools.eu/header/service-and-support/service-agents>, um einen autorisierten Kundendienst in Ihrer Nähe zu finden.

## ES CONDICIONES DE APLICACIÓN DE LA GARANTÍA DE RYOBI®

Además de cualquier derecho legal derivado de la compra, este producto está cubierto por una garantía que se indica a continuación.

- El periodo de garantía es de 24 meses para consumidores y comienza en la fecha en que se comprara el producto. Dicha fecha debe documentarse con una factura u otro comprobante de compra. El producto está diseñado y concebido únicamente para el uso privado del consumidor. Por lo tanto, no se ofrece garantía en caso de uso profesional o comercial.
- Existe la posibilidad de ampliar el periodo de garantía respectivo a una parte de la gama de herramientas de jardinería (CA/CC) durante el periodo descrito más arriba y mediante el registro en el sitio web [www.ryobitools.eu](http://www.ryobitools.eu). La elegibilidad de las herramientas para que se amplie el periodo de garantía se muestra claramente en las tiendas o en el embalaje y está incluida en la documentación del producto. El usuario final tiene que registrar en línea sus herramientas recientemente adquiridas en un plazo de 30 días a partir de la fecha de compra. El usuario final podrá registrarse para obtener la garantía ampliada en su país de residencia si este aparece en la lista del formulario de registro en línea cuando esta opción sea válida. Además, los usuarios finales deberán dar su consentimiento al almacenamiento de los datos necesarios para el acceso en línea y tienen que aceptar los términos y condiciones. El recibo de confirmación de registro, que se envía por correo electrónico, y la factura original que muestra la fecha de compra servirán como comprobante para la garantía ampliada.
- La garantía cubre todos los defectos del producto durante el periodo de garantía debido a fallos de mano de obra o material en la fecha de compra. La garantía se limita a la reparación o sustitución y no incluye ninguna otra obligación como, por ejemplo, daños accidentales o consecuentes. La garantía no es válida si se ha usado mal el producto, se ha usado contraviniendo el manual de instrucciones o se ha conectado de forma incorrecta. Esta garantía no es aplicable a:
  - ningún daño en el producto que sea consecuencia de un mantenimiento inadecuado
  - ningún producto que haya sido alterado o modificado
  - ningún producto en el que los marcados de identificación originales (marca comercial, número de serie) se hayan borrado, modificado o eliminado
  - ningún daño provocado por no seguir el manual de instrucciones
  - ningún producto que no sea CE
  - ningún producto que haya sufrido un intento de reparación por parte de un profesional no cualificado o sin la autorización previa de Techtronic Industries.
  - ningún producto conectado a un suministro eléctrico inadecuado (amperios, voltaje, frecuencia)
  - ningún producto usado con una mezcla de combustible inadecuada (combustible, aceite, porcentaje de aceite)
  - ningún daño causado por influencias externas (químicas, físicas, impactos) o sustancias extrañas
  - desgaste normal de piezas de repuesto
  - uso inadecuado, sobrecarga de la herramienta
  - uso de accesorios o piezas no aprobados
  - Cualquier ajuste periódico o limpieza de mantenimiento de los carburadores
  - Componentes (piezas y accesorios) sujetos al desgaste natural incluyendo, entre otros, pomos de golpes, correas de transmisión, embragues, cuchillas de cortasetos o cortacésped, arneses, cable del acelerador, escobillas de carbono, cables eléctricos, discos, paños de fieltro, pasadores de enganche, ventiladores de soplador, tubos de aspiración y de soplado, bolsas y correas de aspiración, barras guías, cadenas de sierra, mangueras, herrajes de conectores, boquillas pulverizadoras, ruedas, lanzas pulverizadoras, bobinas interiores, carretes exteriores, líneas de corte, bujías, filtros de aire, filtros de gas, cuchillas de compostaje, etc.
- Para su mantenimiento, el producto debe enviarse o presentarse a una estación de servicio de RYOBI autorizada que figure en la siguiente lista de direcciones de estaciones de servicio por países. En algunos países, su distribuidor RYOBI local se responsabiliza de enviar el producto a la compañía de servicio de RYOBI. Cuando se envíe un producto a una estación de servicio de RYOBI, este debe estar empaquetado de forma segura sin contenidos peligrosos como gasolina, marcado con la dirección del remitente y acompañado de una breve descripción del fallo.
- Una reparación / sustitución con esta garantía es gratuita. No constituye una ampliación ni un nuevo comienzo del periodo de garantía. Las piezas o herramientas intercambiadas pasan a ser de nuestra propiedad. En algunos países, los gastos de envío o correo tendrán que pagarlos el remitente. Sus derechos legales derivados de esta compra de la herramienta no se verán afectados.
- Esta garantía es válida en la Unión Europea, Suiza, Islandia, Noruega, Liechtenstein, Turquía y Rusia. Fuera de estas zonas, póngase en contacto con su distribuidor de RYOBI autorizado para determinar si es aplicable otra garantía.

### SERVICIO TÉCNICO AUTORIZADO

Para encontrar el servicio técnico autorizado más cercano, visite <http://es.ryobitools.eu/header/service-and-support/service-agents>.

## IT CONDIZIONI DI VALIDITÀ DELLA GARANZIA RYOBI®

In aggiunta ai diritti di legge risultanti dall'acquisto, il prodotto è coperto dalla garanzia sotto descritta.

- Il periodo di garanzia è di 24 mesi per i consumatori, a decorrere dalla data di acquisto del prodotto. La data deve essere documentata da una fattura o altra prova d'acquisto. Il prodotto è progettato e destinato solo all'utilizzo privato dei consumatori. Pertanto non viene fornita alcuna garanzia in caso di uso professionale o commerciale.
- Per una serie di utensili da giardino (CA/CC) è possibile prolungare il periodo di garanzia oltre quello descritto, registrandosi sul sito web [www.ryobitools.eu](http://www.ryobitools.eu). Gli utensili per i quali è possibile prolungare il periodo di garanzia sono chiaramente indicati nei negozi e/o sulle confezioni e nella documentazione dei prodotti. L'utente deve registrare online l'utensile acquistato entro 30 giorni dalla data di acquisto. L'utente può registrarsi per la garanzia prolungata nel proprio paese di residenza, se questo è elencato nel modulo di registrazione online dove questa opzione sia valida. Inoltre gli utenti devono fornire il proprio consenso alla conservazione dei dati da immettere online e devono accettare le condizioni generali. La conferma di registrazione, inviata tramite e-mail, e la fattura originale indicante la data di acquisto, costituiranno la prova della garanzia prolungata.
- La garanzia copre tutti i difetti del prodotto durante il periodo di garanzia, risultati da manodopera o materiali alla data di acquisto. La garanzia è limitata alla riparazione e/o sostituzione e non include alcun altro obbligo quali, a mero titolo esemplificativo, i danni incidentali o consequenziali. La garanzia non è valida se il prodotto è stato usato scorrettamente, in modo contrario al manuale di istruzioni o se è stato collegato in modo errato. La garanzia non è valida per:
  - qualsiasi danno al prodotto dovuto a manutenzione errata;
  - qualsiasi prodotto che sia stato alterato o modificato;
  - qualsiasi prodotto le cui marcature di identificazione originali (marchi di fabbrica, numero di serie) siano state cancellate, alterate o rimosse;
  - qualsiasi danno causato dalla non osservanza delle istruzioni del manuale;
  - qualsiasi prodotto privo di omologazione CE;
  - qualsiasi prodotto che sia stato sottoposto a un tentativo di riparazione da parte di un professionista non qualificato oppure senza la previa autorizzazione di Techtronic Industries;
  - qualsiasi prodotto collegato a un'alimentazione errata (per ampere, tensione, frequenza);
  - qualsiasi prodotto usato con una miscela di carburante errata (carburante, olio, percentuale di olio);
  - qualsiasi danno causato da influenze esterne (chimiche, fisiche, urti) o sostanze estranee;
  - la normale usura delle parti di ricambio;
  - uso inappropriato, sovraccarico dell'utensile;
  - uso di accessori o parti non omologate;
  - qualsiasi regolazione periodica o pulizia di manutenzione dei carburatori;
  - componenti (parti e accessori) soggetti alla normale usura compresi, a mero titolo esemplificativo, testine a filo, cinghie di trasmissione, frizioni, lame di tagliasiepi o tagliaerba, imbragature, cavi di accelerazione, spazzole al carbonio, cavi di alimentazione, denti, rondelle di feltro, perni di aggancio, ventole dei soffiatori, tubi di soffiatori e aspiratori, sacchetti e cinghie per aspirapolvere, barre guida, catene per seghe, tubi, raccordi di connessione, ugelli di spruzzo, ruote, erogatori, bobine interne ed esterne, linee di taglio, candele, filtri dell'aria, filtri del gas, lame per mulching ecc.
- Per la manutenzione il prodotto dev'essere spedito o portato presso uno dei centri assistenza autorizzati RYOBI elencati per ogni paese nel seguente elenco di indirizzi dei centri. In alcuni paesi il rivenditore locale RYOBI si incarica di inviare il prodotto all'organizzazione di assistenza RYOBI. Quando si invia un prodotto a un centro assistenza RYOBI, imballarlo in modo sicuro senza contenuti pericolosi come la benzina, apporre l'indirizzo del mittente e accompagnarlo da una breve descrizione del guasto.
- La riparazione/sostituzione ai sensi della presente garanzia è gratuita. Non costituisce un prolungamento o un nuovo inizio del periodo di garanzia. Le parti o gli utensili scambiati diventano di nostra proprietà. In alcuni paesi i costi di consegna o di spedizione postale devono essere pagati dal mittente. I diritti di legge derivanti dall'acquisto dell'utensile rimangono inalterati.
- La presente garanzia è valida in Unione Europea, Svizzera, Islanda, Norvegia, Liechtenstein, Turchia e Russia. Al di fuori di tali aree contattare il rivenditore autorizzato RYOBI per sapere se è valida un'altra garanzia.

### CENTRO SERVIZI AUTORIZZATO

Per individuare il più vicino centro servizi autorizzato, visitare il sito <http://it.ryobitools.eu/header/service-and-support/service-agents>.

## NL RYOBI® GARANTIEVOORWAARDEN

Naast de wettelijke rechten die voortvloeien uit de aankoop, wordt dit product gedekt door een garantie, zoals hieronder staat vermeld.

- De garantietermijn voor consumenten bedraagt 24 maanden en gaat in op de datum waarop het product is gekocht. Deze datum moet worden gedocumenteerd met een factuur of een ander aankoopbewijs. Het product is uitsluitend ontworpen en bedoeld voor persoonlijk gebruik door consumenten. Er wordt dus geen garantie gegeven voor professioneel of commercieel gebruik.
- Voor een deel van ons aanbod van tuingeredschappen (AC/DC) is het mogelijk om de garantietermijn te verlengen over de boven beschreven termijn, met behulp van de website [www.ryobitools.eu](http://www.ryobitools.eu). De gereedschappen die in aanmerking komen voor de verlenging van de garantietermijn wordt duidelijk weergegeven in winkels en/of verpakkingen en staat beschreven in de productdocumentatie. De eindgebruiker moet zijn/haar nieuw gekochte gereedschappen binnen 30 dagen na aankoop online registreren. De eindgebruiker kan zich registreren voor de verlengde garantietermijn als zijn woonland staat vermeld op het online registratieformulier waar deze optie geldig is. Bovendien moeten eindgebruikers toestemming geven voor de opslag van de gegevens die online ingevuld moeten worden en moeten ze de algemene voorwaarden accepteren. Het ontvangstbewijs van de registratie, dat per e-mail wordt verzonden en de oorspronkelijke factuur met de aankoopdatum vormt het bewijs van de verlengde garantietermijn.
- De garantie dekt tijdens de garantietermijn alle gebreken van het product vanwege defecten in vakmanschap of materiaal op de aankoopdatum. De garantie is beperkt tot reparatie en/of vervanging en bevat geen andere verplichtingen, waaronder maar niet beperkt tot incidentele of gevolgschade. De garantie is niet geldig als het product is misbruikt, in strijd met de gebruiksaanwijzing wordt gebruikt of onjuist is aangesloten. Deze garantie geldt niet voor:
  - alle schade aan het product die het gevolg is van onjuist onderhoud
  - elk product dat is veranderd of aangepast
  - elk product waar de oorspronkelijke identificatie (handelsmerk, serienummer) is beschadigd, gewijzigd of verwijderd
  - alle schade die is veroorzaakt door het niet opvolgen van de gebruiksaanwijzing
  - elk niet-CE-product
  - elk product waar een poging tot reparatie is gedaan door een niet-erkende professional of zonder voorafgaande toestemming door Techtronic Industries.
  - elk product dat is verbonden met een verkeerde voeding (amperage, spanning, frequentie)
  - elk product dat wordt gebruikt met een verkeerd brandstofmengsel (brandstof, olie, oliegehalte)
  - alle schade die is veroorzaakt door externe invloeden (chemisch, fysisch, schokken) of vreemde stoffen
  - normale slijtage van reserveonderdelen
  - ongepast gebruik, overbelasting van het gereedschap
  - gebruik van niet-goedgekeurde accessoires of onderdelen
  - Alle periodieke aanpassingen aan of het onderhoud en reiniging van carburateurs
  - Componenten (onderdelen en accessoires) die onderhevig zijn aan natuurlijke slijtage, waaronder maar niet beperkt tot stookknoppen, aandrijfmotoren, koppelingen, messen van hegtrimmers of grasmaaiers, harnas, gaskabel, koolstofborstels, stroom snoeren, tanden, viltringen, koppelingsspannen, blazers, blaas- en zuigbuizen, zuigzakken en-riemen, geleidingsstaven, zaagkettingen, slangen, koppelingen, mondstukken, wielen, spuitsokken, binnenhaspels, buitenhaspels, snijdraden, bougies, luchtfilters, gasfilters, maaimessen, etc.
- Voor onderhoud moet het product worden verzonden of gebracht naar een erkend servicestation van RYOBI die voor elk land staan vermeld in de volgende lijst met adressen voor servicestations. In sommige landen zal uw lokale RYOBI-dealer het product verzenden naar de RYOBI-serviceorganisatie. Wanneer u het product naar een servicestation van RYOBI verzendt, moet het product veilig worden verpakt zonder enige gevaarlijke inhoud, zoals benzine, met het adres van de afzender en vergezeld van een korte beschrijving van het defect.
- Een reparatie/vervangende die onder deze garantie valt is gratis. Het vormt geen verlenging of een nieuwe start van de garantietermijn. Verwisselde onderdelen of gereedschappen worden ons eigendom. In sommige landen moeten de verzendkosten door de afzender worden betaald. Uw wettelijke rechten die voortvloeien uit de aankoop van het gereedschap blijven onaangetast.
- Deze garantie is geldig in de Europese Gemeenschap, Zwitserland, IJsland, Noorwegen, Liechtenstein, Turkije en Rusland. Buiten deze gebieden moet u contact opnemen met uw erkende RYOBI-dealer om vast te stellen of er een andere garantie van toepassing is.

### GEAUTORISEERD ONDERHOUDSCENTRUM

Om een geautoriseerd onderhoudscentrum in uw buurt te vinden, surf u naar <http://nl.ryobitools.eu/header/service-and-support/service-agents>.



## PT CONDIÇÕES DE APLICAÇÃO DA GARANTIA RYOBI®

Para além de quaisquer direitos previstos por lei resultantes da compra, este produto está coberto por uma garantia conforme descrição abaixo.

1. O período da garantia é de 24 meses para consumidores particulares e inicia-se na data de compra do produto. Esta data tem de ser documentada por uma factura ou por outra prova de compra. O produto foi concebido para e destina-se apenas a consumidores particulares e uso privado. Assim, não é dada garantia em caso de utilização por profissionais ou uso comercial.
2. Para uma parte da gama de ferramentas de jardim (AC/DC) existe a possibilidade de prolongamento do período da garantia para além do período descrito acima, mediante registo no Web site [www.ryobitools.eu](http://www.ryobitools.eu). A elegibilidade das ferramentas para prolongamento do período da garantia é claramente visível nas lojas e/ou nas embalagens e está contida na documentação do produto. O utilizador final tem de fazer o registo online das suas ferramentas recém-adquiridas no prazo de 30 dias após a data de compra. O utilizador final pode fazer o registo para prolongamento da garantia no seu país de residência, desde que esteja listado no formulário de registo online e para os casos em que esta opção seja válida. Para além disso, os utilizadores finais têm de autorizar o armazenamento dos dados cujo preenchimento lhes for solicitado online e têm de aceitar os termos e as condições. O recibo de confirmação do registo é enviado por e-mail e, em conjunto com a factura original ostentando a data de compra, servirá de prova do prolongamento da garantia.
3. A garantia cobre todos os defeitos do produto durante o período da garantia devidos a defeitos de fabrico ou de material à data da compra. A garantia está limitada à reparação e/ou substituição e não inclui quaisquer outras obrigações, incluindo mas não se limitando a, perdas complementares ou indirectas. A garantia não é válida se o produto tiver sido utilizado incorrectamente, utilizado de forma contrária ao Manual de Instruções ou se as respectivas ligações tiverem sido feitas incorrectamente. Esta garantia não se aplica ao seguinte:
  - quaisquer danos ao produto que sejam resultado de manutenção incorrecta
  - qualquer produto que tenha sido alterado ou modificado
  - qualquer produto cujas marcações de identificação de origem (marca comercial, número de série) tiverem sido apagadas, alteradas ou retiradas
  - quaisquer danos causados pelo incumprimento do Manual de Instruções
  - qualquer produto que não seja da Comunidade Europeia
  - qualquer produto ao qual tenha sido feita, ou tentada fazer, uma reparação por outra pessoa que não um profissional habilitado ou sem autorização prévia da Technronic Industries.
  - qualquer produto ligado a uma fonte de alimentação eléctrica incorrecta (Amperes, Voltagem e Frequência)
  - qualquer produto utilizado com uma mistura de combustível incorrecta (combustível, óleo, percentagem de óleo)
  - qualquer dano causado por influências externas (químicas, físicas, impactos) ou substâncias estranhas
  - desgaste e degradação normal de sobresselentes
  - utilização incorrecta, sobrecarga da ferramenta
  - utilização de acessórios ou peças não aprovados
  - quaisquer ajustes periódicos a, ou limpeza de manutenção de, carburadores
  - Componentes (peças e acessórios) sujeitos a desgaste e degradação natural, incluindo mas não se limitando a, maganetas anti-choque, correias de transmissão, embraiagens, lâminas de recortadores de sebes ou corta-relvas, arneses, cabos de acelerador, escovas de carvão, cabos eléctricos, dentes, anilhas de feltro, pinos de engate, ventoinhas do soprador, tubos do soprador e do aspirador, cintas e sacos do aspirador, barras de guia, correntes de serra, mangueiras, peças de ligação, bocais de pulverização, rodas, varinhas de pulverização, bobinas interiores, bobinas exteriores, linhas de corte, velas de ignição, filtros do ar, filtros de gasolina, lâminas trituradoras, etc.
4. Para assistência, o produto tem de ser enviado para, ou apresentado em, um posto de assistência autorizado RYOBI, conforme listado para cada país na lista de moradas de postos de assistência seguinte. Nalguns países, o seu concessionário RYOBI local encarega-se de enviar o produto para a organização de assistência RYOBI. Quando enviar um produto para um posto de assistência RYOBI, o produto deve ser embalado de forma segura, sem conter nenhuns conteúdos perigosos (por exemplo, gasolina), marcado com o endereço do remetente e acompanhado por uma breve descrição da avaria.
5. Uma reparação/substituição ao abrigo desta garantia é gratuita. Não constitui um prolongamento a, nem um novo início de, o período da garantia. As peças ou ferramentas substituídas tornam-se propriedade nossa. Nalguns países, o remetente terá de pagar os custos de entrega ou a remessa postal. Os seus direitos previstos por lei resultantes da compra da ferramenta mantêm-se inalterados
6. Esta garantia é válida na Comunidade Europeia, Suíça, Islândia, Noruega, Liechtenstein, Turquia e Rússia. Fora destas áreas, entre em contacto com o seu concessionário autorizado RYOBI para determinar se existe outra garantia aplicável.

### CENTRO DE ASSISTÊNCIA AUTORIZADO

Para encontrar um centro de assistência autorizado próximo de si, visite <http://pt.ryobitools.eu/header/service-and-support/service-agents>.

## DA RYOBI® BETINGELSER FOR GARANTI

Udover lovbestemte rettigheder, som resulterer af købet, er dette produkt dækket af en garanti, som anføres herunder.

1. Garantiperioden er 24 måneder for forbrugere og begynder på den dato, som produktet blev købt. Denne dato skal dokumenteres af en faktura eller andet bevis for køb. Produktet er udelukkende designet og dedikeret til forbrugere og privat brug. Så der ydes ingen garanti til tilfældige af professionelle eller kommerciel brug.
2. Der er en mulighed for at forlænge garantiperioden for en del af udvalget af haveværktøj (AC/DC), hen over den ovenfor beskrevne periode vha. registrering på hjemmesiden [www.ryobitools.eu](http://www.ryobitools.eu). Berettigelsen af værktøjet til forlængelse af garantiperioden er tydeligt vist i butikker og/eller på emballage/og indeholdt i produktokumentationen. Slutbruger skal registrere hans/hendes nyligt indkøbte værktøj online indenfor 30 dage efter købsdatoen. Slutbruger kan registrere sig for den forlængede garanti i sit land, hvis han/hun er opført på den online registreringsformular, hvor denne mulighed er gyldig. Derudover skal slutbrugere give deres samtykke til at opbevare data, som er påkrævet til indtaste online, og de er nødt til at acceptere vilkår og betingelser. Registreringsbekræftelseskvitteringen, som sendes ud på e-mail, og den originale faktura, som viser købsdatoen, vil fungere som bevis for den forlængede garanti.
3. Garantien dækker alle defekter, som et produkt måtte have i løbet af garantiperioden, og som skyldes produktionsfejl eller materialefejl på købsdatoen. Garantien er begrænset til reparation og/eller udskiftning og inkluderer ikke andre forpligtelser, inklusiv men ikke begrænset til tilfældige skader eller følgeskader. Garantien er ugyldig, hvis produktet er blevet misbrugt, brugt uden at overholde vejledningen, eller det er blevet forkert tilslett. Denne garanti gælder ikke:
  - Beskadigelse af produktet, som er et resultat af uegnet vedligeholdelse
  - Et produkt der er blevet ændret eller modificeret
  - Et produkt hvor de originale identifikationsmærkninger (varemærke, serienummer) er blevet ødelagt, ændret eller fjernet.
  - Enhver beskadigelse forårsaget af manglende overholdelse af vejledningen
  - Ethvert ikke CE-produkt
  - Ethvert produkt som er blevet forårsaget af en ukvalificeret professionel eller uden tidligere foranstaltning af Technronic Industries.
  - Ethvert produkt som er tilslettet uegnet strømforsyning (ampere, spænding, frekvens)
  - Ethvert produkt som bruges med uegnet brændstoftilblanding (brændstof, olie, procentdel olie)
  - Enhver skade forårsaget af ekstern påvirkning (kemisk, fysisk, chok) eller fremmedelementer
  - Normal slid på reservedele
  - Uegnet brug, overbelastning af værktøjet
  - Brug af ikke-godkendt tilbehør eller dele
  - Alle regelmæssige justeringer eller vedligeholdelsesrengøring af karburatorer
  - Komponenter (dele og tilbehør) som er udsat for naturlig slid og ælde, inklusiv men ikke begrænset til drejeknapper, drivrem, greb, klinger til hæktrimmere eller plæneklippere, sele, kabel gasspjæld, kulbørster, elledning, tænder, filtskiver, ophængstapper, blæserventilatorer, blæser- og sugeslanger, sugepose og stropper, styrestænger, savkæder, slanger, forbindelsespakninger, sprøjtedyser, hjul, sprøjtestave, indvendige ruller, udvendige ruller, udvendige spoler, skærelinjer, tændrør, luftfilter, gasfilter, tildækningsblade etc.
4. For eftersyn skal produktet sendes til eller præsenteres for en RYOBI-autoriseret service værksted, som er oplyst for hvert land i den følgende liste over service værksted adresser. I nogle lande påtager din lokale RYOBI-forhandler sig ansvaret for at sende produktet til RYOBI-serviceorganisationen. Når et produkt sendes til en RYOBI-service værksted, skal det pakkes sikkert ind uden noget farligt indhold som benzin, mærkes med afsenderens adresse og med en kort beskrivelse af fejlen.
5. En reparation/erstatning under denne garanti er gratis. Den udgør ikke en forlængelse eller en ny start på garantiperioden. Uvedlejede dele eller værktøjer bliver vores ejendom. I nogle lande skal leveringsafgifter eller porto betales af afsenderen. Dine lovbestemte rettigheder i forbindelse med købet forbliver uanfægtede
6. Denne garanti gælder i EU, Schweiz, Island, Norge, Liechtenstein, Tyrkiet og Rusland. Udenfor disse områder bedes du kontakte din autoriserede RYOBI-forhandler for at afgøre, om en anden garanti gælder.

### AUTORISEREDE SERVICEVÆRKSTEDER

Find nærmeste autoriserede serviceværksted på <http://dk.ryobitools.eu/header/service-and-support/service-agents>.

## SV RYOBI® ANVÄNDNINGSVILLKOR FÖR GARANTI

Förutom eventuella lagstadgade rättigheter som uppstår genom köpet, täcks den här produkten av en garanti som anges nedan.

- Garantiperioden är 24 månader för konsumenter och börjar gälla från det datum då produkten köptes. Detta datum måste dokumenteras på en faktura eller annat köpbevis. Produkten är utformad och avsedd för konsumenter och privat bruk. Därmed tillhandahålls ingen garanti vid yrkesmässigt eller kommersiellt bruk.
- Det finns möjlighet att förlänga garantiperioden för en del av utbudet för trädgårdsverktyg (AC/DC) under den period som anges ovan genom att använda registreringen på webbplatsen www.ryobitools.eu. De verktyg som är berättigade till en förlängning av garantiperioden visas tydligt i butik och/eller på förpackningen/och anges i produktokumentationen. Slutanvändaren behöver registrera hans/hennes nyförvävade verktyg online inom 30 dagar från köpdatumet. Slutanvändaren kan registrera sig för den förlängda garantin i det land där han/hon bor om landet finns angivet i registreringsformuläret online och där detta alternativ är giltigt. Dessutom måste slutanvändaren ge sitt medgivande till lagring av data vilket krävs vid registrering online samt acceptera villkoren. Bekräftelsekvittot för registreringen som skickas ut via e-post och originalfakturan som visar köpdatumet kommer att gälla som bevis för den förlängda garantin.
- Garanti täcker alla produktdefekter under garantiperioden som beror på brister i utförande eller material vid köpdatumet. Garantin är begränsad gällande reparation och/eller utbyte och inkluderar inte några skyldigheter inklusive men inte begränsat till oförutsedda skador eller följdskador. Garantin är inte giltig om produkten har missbrukats, använts i strid med bruksanvisningen eller inte anslutits på rätt sätt. Denna garanti täcker inte:
  - eventuella skador på produkten som uppstått till följd av felaktigt underhåll
  - produkter som har ändrats eller modifierats
  - produkter där ursprungliga identifieringsmärkningarna (varumärke, serienummer) har målats över, ändrats eller tagits bort
  - eventuella skador som uppstått till följd av att bruksanvisningen inte efterföljts
  - alla icke CE-produkter
  - eventuella produkter som har försökts repareras av en icke-kvalificerad yrkesman eller utan föregående medgivande från Techtronic Industries.
  - eventuella produkter som anslutits till felaktig strömförsörjning (ampere, volt, frekvens)
  - eventuella produkter som använts med olämplig bränsleblandning (bränsle, olja, oljeprocent)
  - eventuella skador som uppstått till följd av yttre påverkan (kemisk, fysisk, stöt) eller främmande ämnen
  - normalt slitage av reservdelar
  - olämplig användning, överbelastning av verktyget
  - användningen av icke-godkända tillbehör eller delar
  - Eventuella periodiska justeringar av eller vid underhållsrengöring av förgasare
  - Komponenter (delar och tillbehör) är föremål för naturligt slitage, inklusive men inte begränsat till tryckknappar, drivremmar, koppling, blad till kantrimrar eller gräsklippare, sele, gasreglagevajer, kolborstar, strömladd, spetsar, filtbrickor, kopplingsprint, blåsfäkt, blås- och sugrör, sugpåse och remmar, styrskenor, sägkedjor, slangar, anslutningsdonördel, spraymunstycken, hjul, spraystavar, innerrullar, ytterspolar, skärtråd, tändstift, luftfilter, gasfilter, sönderdelningsblad osv.
- Vid service måste produkten skickas eller uppvisas för en RYOBI- auktoriserad servicestation som står angiven för varje land i följande adresslista över servicestationer. I vissa länder tar din lokala RYOBI- återförsäljare på sig ansvaret att skicka produkten till RYOBI- serviceorganisationen. När en produkt skickas till en RYOBI-servicestation, ska produkten paketeras säkert utan något farligt innehåll såsom bensin, markeras med avsändarens adress samt en kort beskrivning av felet.
- En reparation/ett utbyte under denna garanti är kostnadsfri. Det utgör inte en förlängning eller förnyelse av garantiperioden. Utbyta delar eller verktyg blir vår egendom. I vissa länder måste leveranskostnader eller porto betalas av avsändaren. Dina lagstadgade rättigheter som härrör från köpet av verktyget förblir opåverkade
- Denna garanti är giltig i Europeiska gemenskapen: Schweiz, Island, Norge, Liechtenstein, Turkiet och Ryssland. Utanför dessa länder, kontakta din auktoriserade RYOBI-återförsäljare för att avgöra om en annan garanti gäller.

### AUKTORISERAT SERVICECENTER

Du hittar närmaste auktoriserade servicecenter genom att gå till <http://se.ryobitools.eu/header/service-and-support/service-agents>.

## FI RYOBI®-TAKUUN SOVELTAMISEHDOT

Tällä tuotteella on oston luomien lakisäasteiden oikeuksien ohella alla mainitun mukainen takuu.

- Takuun kesto on kuluttajille 24 kuukautta ja takuuaika alkaa tuotteen ostopohjasta. Tämän päivämäärän tulee lukea laskussa tai muussa ostopositieissa. Tuote on suunniteltu ja tarkoitettu vain kuluttajien ja yksityiseen käyttöön. Takuu ei siis kata ammatti- eikä kaupallista käyttöä.
- Joidenkin puutarhatyökalujen (AC/DC) takuun kesto on mahdollista laajentaa yllä mainittua kesto pidemmäksi verkkosivuston [www.ryobitools.eu](http://www.ryobitools.eu) rekisteröinnin kautta. Työkalujen kelpoisuus takujakson laajennukseen näkyy selkeästi myymälöissä ja/tai pakkauskissa ja/tai tämä tieto sisältyy tuotedokumentaatioon. Loppukäyttäjän täytyy rekisteröidä vasta hankittu työkalu internetissä 30 päivän kuluessa ostopäivämäärästä. Loppukäyttäjän voi rekisteröidä laajennetun takuun kotimaassaan, jos se on luettuna online-rekisteröintilomakkeessa, jossa mainitaan, missä tämä vaihtoehto on voimassa. Loppukäyttäjien täytyy lisäksi hyväksyä tietojen tallennus, jotka heidän täytyy antaa online-tilassa sekä ehdot. Rekisteröinnin vahvistuskuitti, joka lähetetään sähköpostitse, ja alkuperäinen ostopäivämäärän ilmaiseva lasku toimivat laajennetun takuun tositteina.
- Takuu kattaa kaikki tuotteen takuuaikana tulevat viat, joiden aiheuttajina ovat tuotteen ostopäivänä olleet valmistus- tai materiaaliviat. Takuu on rajoitettu korjaukseen ja/tai vaihtoon eikä se sisällä mitään muita velvoitteita mukaan lukien satunnais- ja seurannaisvahinkoja, mutta rajoittumatta niihin. Takuu ei päde, jos tuotetta on käytetty väärin, käyttöohjeen vastaisesti tai jos se on liitetty virheellisesti. Tämä takuu ei kata:
  - virheellisesti huolosta johtuvia vaurioita
  - muunnettua tai muutettua tuotetta
  - tuotetta, jonka alkuperäiset tunnistemerkinnät (tavaramerkki, sarjanumero) on turmeltu, muutettu tai poistettu
  - tämän käyttööppaan laiminlyönnistä johtuvia vaurioita
  - ei-CE-tuotetta
  - tuotetta, jota on yrittänyt korjata epäpätevä ammattilainen tai joka on rajoittu ilman Techtronic Industries ennakkolupaa.
  - tuotetta, joka on liitetty virheelliseen teholahteeseen (ampeirit, jännite, taajuus)
  - tuotetta, jossa on käytetty väärää polttoaineseosta (polttoaine, öljy, öljyprosentti)
  - ulkoisten vaikutusten (kemiallinen, fyysinen, iskut) tai vieraiden aineiden aiheuttamaa vauriota
  - normaaleja kuluvia varaosia
  - virheellistä käyttöä, työkalun ylikuormitusta
  - ei-hyväksytytjen tarvikkeiden tai osien käyttöä
  - Kaasutinten säännöllistä säätöä tai ylläpitävää puhdistusta
  - Luonnollisesti kuluvia komponentteja (osia tai tarvikkeita), joihin sisältyvät puskunupit, käyttöihinat, kytkin, pensasleikkuriin tai ruohonleikkuriin terät, valjaat, kaasuvaijeri, hiiharijat, virtajohto, piikit, huopatiivisteet, sokkatapit, puhallinten tuulettimet, puhallin- ja imuputket, imuriin säkit ja hinnat, terälevyt, sahankeijut, letkut, liitososat, suihkusuuttimet, pyörät, ruiskutusputket, sisä- ja ulkokelat, leikkuusiimat, hehkutulpat, ilmansuodattimet, kaasunsuodattimet, silppuperät yms. näihin kuitenkin rajoittumatta.
- Tuote on lähetettävä huollettavaksi valituttuun RYOBI-huoltoon tai näytettävä silleä. Niiden osissaett kussakin maassa löytyvät seuraavasta luettelosta. Joissakin maissa paikallinen RYOBI-jälleenmyyjä huolehtii tuotteen lähetyksestä RYOBI-huolto-organisaatioon. Kun tuote lähetetään RYOBI-huoltoon, se täytyy pakata hyvin ilman vaarallisia aineita, kuten polttoainetta, ja pakkaukseen täytyy merkitä lähettäjän nimi sekä vian lyhyt kuvaus.
- Takuun kattama korjaus/vaihto on maksuton. Se ei tarkoita takuuaajan laajennusta tai alkamista alusta. Vaihdetut osat tai työkalut siirtyvät valmistajan omistukseen. Joissakin maissa lähettäjän täytyy maksaa lähetyskustannukset tai postikulut. Työkalun oston luomat lakisäasteiset oikeudet pysyvät koskemattomina
- Tämä takuu on voimassa Euroopan yhteisössä, Sveitsissä, Islannissa, Norjassa, Liechtensteinissa, Turkissa ja Venäjällä. Ota näiden alueiden ulkopuolella yhteyttä omaan valituttuun RYOBI-jälleenmyyjään ja selvitä, onko jotain muuta takuuta.

### VALTUUTETTU HUOLTO

Voit etsiä lähimmän valtuutetun huollon sivulta <http://fi.ryobitools.eu/header/service-and-support/service-agents>.

## NO RYOBI® GARANTIBETINGELSER

I tillegg til eventuelle lovbestemte rettigheter som følger av kjøpet, er dette produktet dekket av en garanti som angitt nedenfor.

- Garantiperioden er 24 måneder for konsumenter og gjelder fra den datoen som produktet ble kjøpt. Denne datoen skal dokumenteres med en faktura eller annet kjøpsbevis. Produktet er designet og beregnet kun til konsument- og privat bruk. Så det gis ingen garanti ved profesjonell eller kommersiell bruk.
- For en del av utvalget av hageverktøy (AC/DC) er det mulighet til å utvide garantiperioden i den perioden som er beskrevet ovenfor ved bruk av registreringene på nettstedene [www.ryobitools.eu](http://www.ryobitools.eu). Kvalifiseringen av verktøyene for en utvidelse av garantiperioden er tydelig vist i butikker og 7eller på pakningen / og finnes innen produktdokumentasjonen. Sluttbrukeren må registrere sine nylig anskaffede verktøy online innen 30 dager etter kjøpsdato. Sluttbrukeren kan registrere seg for den utvidede garantien i sitt land hvis det er opplistet på online registreringsskjemaet der dette alternativet er gyldig. Videre må sluttbrukere gi sitt samtykke til oppbevaring av dataene som kreves for å gå online, og de må godta vilkår og betingelser. Registreringsbekreftelsen, som sendes ut på e-post, og den originale fakturaen som viser kjøpsdato, vil tjene som bevis for den utvidede garantien.
- Garantien dekker alle defekter i produktet under garantiperioden på grunn av defekter i utførelse eller materiale på kjøpsdato. Garantien er begrenset til å reparere og/eller erstatte og inkluderer ikke noen andre forpliktelser, inkludert, men ikke begrenset til, tilfeldige eller følgesmessige skader. Garantien er ikke gyldig hvis produktet har blitt misbrukt, brukt på annen måte enn det som beskrives i bruksanvisningen eller er koblet til på feil måte. Denne garantien gjelder ikke for:
  - enhver skade på produktet som er resultat av utilstrekkelig vedlikehold
  - ethvert produkt som har blitt endret eller modifisert
  - ethvert produkt der de originale identifiseringsmerkene (varemerke, serienummer) har blitt uleselig, er endret eller fjernet
  - enhver skade som forårsakes av ikke-overholdelse av instruksjonshåndboken
  - ethvert ikke-CE-produkt
  - ethvert produkt som har blitt forsøkt reparert eller av en ikke-kvalifisert fagperson eller uten tidligere autorisasjon fra Techntron Industries.
  - ethvert produkt tilkoblet feil strømforsyning (ampere, spenning, frekvens)
  - ethvert produkt som brukes med feil drivstoffblanding (drivstoff, olje, prosentandel olje)
  - enhver skade som er forårsaket av eksterne påvirkninger (kjemiske, fysiske, støt) eller fremmede stoffer
  - normal slitasje og sliteserøvedeler
  - feil bruk, overbelastning av verktøyet
  - bruk av ikke-godkjent tilbehør eller deler
  - Eventuelle periodiske justeringer av eller vedlikeholdsrengjøring av forbrennere
  - Komponenter (deler og tilbehør) som er underlagt naturlig slitasje, inkludert, men ikke begrenset til bulkknott, drivreimer, clutch, blader på hektrimmere eller gressklippere, seler, kabelspjeld, karbonbørster, strømledning, kniver, feltpakninger, heispinner, blåsevisfer, blåse- og vakuumslangler, vakuumpose og reimer, førerstenger, sagkjeder, strømpere, koblingsmonteringer, spraydyser, hjul, spraystenger, indre spoler, ytre spoler, kuttelinjer, tennplugger, luftfilter, gassfilter, mulchingblader osv.
- For service må produktet sendes eller fremlegges for en RYOBI-autorisert servicestasjon opplistet for hvert land i den følgende listen over servicestasjonsadresser. I noen land sender den lokale RYOBI-forhandleren produktet til RYOBI serviceorganisasjonen. Ved å sende et produkt til en RYOBI servicestasjon skal produktet være sikkert pakket uten noe farlig innhold, slik som bensin, merket med senderens adresse og fulgt av en kort beskrivelse av feilen.
- En reparasjon/erstatning under denne garantien er gratis. Den utgjør ingen forlengelse eller en ny start av garantiperioden. Utvekslede deler eller verktøy blir vår eiendom. I noen land vil leveringskostnader eller franking måtte betales av senderen. Dine lovbestemte rettigheter som oppstår fra kjøp av verktøyet forblir uberørt.
- Denne garantien er gyldig i EU, Sveits, Island, Norge, Liechtenstein, Tyrkia og Russland. Utenfor disse områdene ta kontakt med din autoriserte RYOBI-forhandler om en annen garanti gjelder.

### AUTORISERT SERVICESENTER

For å finne et autorisert servicecenter i nærheten, gå til <http://no.ryobitools.eu/header/service-and-support/service-agents>.

## RU УСЛОВИЯ ПРИМЕНЕНИЯ ГАРАНТИИ НА ПРОДУКЦИЮ RYOBI®

Помимо законных прав, возникающих при покупке, данное изделие покрывается гарантией в соответствии с приведенными ниже пунктами.

- Гарантийный период для покупателя составляет 24 месяца с даты покупки изделия. Дата покупки должна быть подтверждена полностью заполненным гарантийным талоном и чеком о покупке. Данное изделие предназначено только для частного использования покупателем. Поэтому гарантия не распространяется на использование в профессиональных или коммерческих целях.
- Предусмотрена возможность продления для части изделий линейки садовых инструментов (AC/DC) гарантийного периода с помощью регистрации на сайте [www.ryobitools.eu](http://www.ryobitools.eu). Право инструмента на продление гарантийного периода четко указано в магазинах и / или на упаковке / и содержится в сопутствующей инструменту документации. Конечный пользователь должен зарегистрировать свой приобретенный инструмент в течение 30 дней с даты покупки. Конечный пользователь может зарегистрировать свой инструмент на продление гарантии в стране своего проживания, если она указана в форме онлайн-регистрации. Кроме того, конечный пользователь должен дать свое согласие на хранение данных, которое необходимо ввести в онлайн-форму и принять правила и условия. Подтверждение регистрации, которое вы получите по электронной почте, заполненный гарантийный талон и оригинальный чек, в котором указана дата покупки, будут служить доказательством продленной гарантии.
- Гарантия покрывает в течение гарантийного периода все дефекты качества или материала изделия на дату покупки. Гарантия ограничена ремонтом и / или заменой и не включает никакие другие обязательства, включая, но не ограничиваясь случайными или косвенными убытками. Гарантия становится недействительной, если изделие использовалось не по назначению, вопреки инструкциям, данным в Руководстве пользователя или было неправильно подключено. Настоящая гарантия не распространяется на:
  - любые повреждения изделия в результате неправильного технического обслуживания или недостаточного ухода за инструментом
  - любые изделия, подвергшиеся изменениям и модификации
  - любые изделия, оригинальные идентификационные отметки которого (торговая марка, серийный номер) были повреждены, изменены или удалены
  - любые повреждения, вызванные несоблюдением инструкций Руководства пользователя
  - любые изделия, не сертифицированные маркировкой "CE" для продажи в Европейском союзе
  - любые изделия, подвергшиеся попыткам ремонта невалифицированным работником или без предварительного утверждения компании Techntron Industries.
  - любые изделия, подключенные к неправильному источнику питания (сила тока, напряжение, частота)
  - любые изделия, в которых использовались несоответствующие топливные смеси (топливо, масло, процент масла)
  - любые повреждения, вызванные внешними воздействиями (химические, физические, удары) или посторонними веществами
  - естественный износ запасных деталей
  - несоответствующее использование, перегрузка инструмента
  - использование неутвержденных аксессуаров и неоригинальных запасных деталей
  - любые регулярные регулировки, техническое обслуживание или чистка карбюраторов
  - компоненты (детали и аксессуары), подверженные естественному износу, включая, но не ограничиваясь фиксаторы шпильки приводные ремни, ценные муфты, лезвия триммеров и газонокосилок, плечевые ремни, кабельный дроссельный регулятор, угольные щетки, кабели питания, зубья, войлочные шаблы, фиксирующие шпильки, вентиляторы воздуходувки, трубки воздуходувки и пылесоса, мешок для сбора мусора и ремни, пыльные шины, пыльные цепи, шланги, соединительные детали, распылительные насадки, колеса, распылительные переходники, внутренние катушки и шпильки, режущую леску, свечи зажигания, воздушные и топливные фильтры, мульчирующие лезвия и др.
- Для проведения технического обслуживания изделие следует направлять в авторизованные сервисные центры RYOBI, указанные для каждой страны в приведенном ниже списке адресов станций сервисного обслуживания. В некоторых странах местные дилеры RYOBI отправляют изделия в сервисные организации RYOBI. При отправке изделия в сервисный центр RYOBI, изделие должно быть безопасно упаковано и не содержать никаких опасных веществ, таких как бензин, должен быть подписан адрес отправителя и сопровождаться кратким описанием неисправности.
- Ремонт / замена проводится в рамках настоящей гарантии бесплатно. Он не продлевает гарантию и не начинает новый гарантийный период. Заменяемые детали и инструменты становятся нашей собственностью. В некоторых странах отправитель должен оплачивать стоимость отправки. Ваши законные права, возникающие при покупке инструмента, остаются неизменными
- Данная гарантия действительна в Европейском Сообществе, Швейцарии, Исландии, Норвегии, Лихтенштейне, Турции и России. Вне указанных территорий обращайтесь к своему авторизованному дилеру RYOBI, чтобы узнать, применяются ли условия каких-либо других гарантий.

### УПОЛНОМОЧЕННЫЙ СЕРВИСНЫЙ ЦЕНТР

Чтобы найти ближайший уполномоченный сервисный центр, обратитесь к веб-сайту <http://ru.ryobitools.eu/header/service-and-support/service-agents>.

## PL WARUNKI GWARANCJI RYOBI®

Oprócz praw ustawowych wynikających z zakupu produkt jest objęty gwarancją, której warunki podano poniżej.

- Okres gwarancyjny wynosi 24 miesiące dla konsumentów i rozpoczyna się w dniu zakupu produktu. Datę zakupu należy udokumentować fakturą lub innym dowodem zakupu. Produkt został zaprojektowany i jest przeznaczony do użytku konsumenckiego i prywatnego. W związku z tym gwarancja nie obejmuje zastosowań profesjonalnych i komercyjnych.
- Istnieje możliwość wydłużenia okresu gwarancyjnego dla części asortymentu narzędzi ogrodniczych (AC/DC) poprzez zarejestrowanie produktu na stronie internetowej [www.ryobitools.eu](http://www.ryobitools.eu). Kwalifikowalność narzędzi do wydłużenia okresu gwarancyjnego jest wyraźnie określona w sklepach i/lub na opakowaniu oraz w dokumentacji produktu. Użytkownik końcowy musi zarejestrować nowo kupione narzędzia online w ciągu 30 dni od daty zakupu. Użytkownik końcowy może zarejestrować się w celu przedłużenia gwarancji w swoim kraju zamieszkania, jeżeli jest on wymieniony w formularzu rejestracji online, gdzie opcja ta obowiązuje. Ponadto użytkownicy końcowi muszą wyrazić zgodę na przechowywanie danych, wprowadzanych na stronie internetowej i zaakceptować regulamin. Dowodem wydłużenia gwarancji jest wysłane pocztą elektroniczną potwierdzenie rejestracji i oryginalny faktur potwierdzający datę zakupu.
- Gwarancja obejmuje wszystkie wady produktu ujawnione w okresie gwarancyjnym wynikające usterki wykonania lub materiału obecnego w dniu zakupu. Gwarancja jest ograniczona do naprawy i/lub wymiany i nie obejmuje żadnych innych zobowiązań, w tym między innymi odpowiedzialności za szkody przypadkowe lub wtórne. Gwarancja nie obowiązuje, jeżeli produkt był nieprawidłowo używany, używany niezgodnie z instrukcją lub nie był prawidłowo podłączony. Gwarancja nie obejmuje:
  - uszkodzenia produktu wynikającego z nieprawidłowej konserwacji,
  - produktu, który został zmieniony lub zmodyfikowany,
  - produktu, którego oryginalne oznaczenie (znak towarowy, numer seryjny) zostało zniszczone, zmienione lub usunięte,
  - jakichkolwiek uszkodzeń wynikających z nieprzestrzegania instrukcji,
  - jakiegokolwiek produktu bez certyfikatu CE,
  - jakiegokolwiek produktu, który próbowano naprawiać z pomocą niewykwalifikowanej osoby lub bez uzyskania wcześniejszej zgody firmy Techtronic Industries.
  - jakiegokolwiek produktu podłączonego nie nieprawidłowego źródła zasilania (nieprawidłowe napięcie prądu, napięcie, czystość),
  - jakiegokolwiek produktu, który był używany z nieprawidłową mieszanką paliwową (paliwo, olej, procentowy udział oleju),
  - jakichkolwiek uszkodzeń spowodowanych wpływem czynników zewnętrznych (chemicznych, fizycznych, drgan) lub substancji obcych,
  - normalnego zużycia części zamiennych,
  - nieprawidłowego użycia, przeciążenia narzędzia,
  - stosowania niezatwierdzonych akcesoriów lub części,
  - jakichkolwiek okresowych regulacji lub czyszczenia gaźników w ramach konserwacji
  - elementów (części i akcesoriów) podlegających naturalnemu zużyciu, obejmujących, między innymi, kopułki do zwalniania żyłki, pasy napędowe, sprężelko, ostrza przycinarek do żywoptłotów lub kosiarzek do trawy, urząz, przepustnicę linkową, szcztolki węglowe, przewód zasilania, zęby, podkładki filcowe, kołki podnośnika, wentylatory dmuchawy, rury nadmuchowe i ssawne, worek na śmieci i paski, prowadnice, łańcuchy piły, węże, mocowanie złącz, dysze natryskowe, koła, ostrza natryskowe, szpule wewnętrzne, szpule zewnętrzne, filtry gaza, przety do ściółkowania itp.
- W celu serwisowania produkt należy wysłać lub okazać w autoryzowanym punkcie serwisowym RYOBI znajdującym się na przedstawionym poniżej wykazie punktów serwisowych w poszczególnych krajach. W niektórych krajach lokalny dystrybutor produktów RYOBI podejmuje się wysyłki produktu do centrum serwisowego RYOBI. W przypadku wysyłki do punktu serwisowego RYOBI produkt — pozbawiony jakichkolwiek niebezpiecznych substancji, na przykład benzyny — należy bezpiecznie zapakować i dołączyć adres nadawcy oraz krótki opis usterki.
- Naprawa/wymiana w ramach niniejszej gwarancji jest bezpłatna. Nie stanowi jednak o przedłużeniu lub rozpoczęciu od nowa biegu okresu gwarancyjnego. Wymienione części lub narzędzia stają się naszą własnością. W przypadku niektórych krajów nadawca będzie musiał uregulować koszty dostawy lub opłaty pocztowe. Prawa ustawowe wynikające z zakupu narzędzia pozostają niezmienione.
- Niniejsza gwarancja obowiązuje w Unii Europejskiej, Szwajcarii, Islandii, Norwegii, Liechtensteinie, Turcji i Rosji. Poza tymi obszarami należy skontaktować się z autoryzowanym dostawcą produktów RYOBI i ustalić, czy obowiązuje inna gwarancja.

### AUTORYZOWANY PUNKT SERWISOWY

Najbliższy autoryzowany punkt serwisowy można wyszukać w witrynie internetowej <http://pl.ryobitools.eu/header/service-and-support/service-agents>.

## CS ZÁRUČNÍ PODMÍNKY RYOBI®

Kromě zákonných práv vyplývajících z koupě výrobku se na tento výrobek vztahuje také níže uvedené záruka.

- Záruční doba pro spotřebitele je 24 měsíců a začíná datem nákupu výrobku. Datum musí být zaznamenáno na faktuře nebo jiném dokladu o koupi. Tento výrobek je navržen a určen pouze pro soukromé účely spotřebitelů. Záruka se tedy nevztahuje na profesionální nebo komerční využití výrobku.
- U některých zahradních nástrojů (AC/DC) je možné záruční dobu prodloužit. K tomu je nutná registrace na stránkách [www.ryobitools.eu](http://www.ryobitools.eu). Možnost prodloužené záruční doby výrobků je jasně uvedena v prodejních, popř. na obalech nebo v dokumentech o výrobku. Koncový uživatel musí svůj nový nástroj zaregistrovat online do 30 dnů od data nákupu. Koncový uživatel se může k prodloužené záruční době zaregistrovat v zemi trvalého pobytu, pokud je tato uvedena na internetovém registračním formuláři u výrobku, kde je tato možnost dostupná. Koncoví uživatelé musí dále souhlasit s uložením osobních údajů, která musí zadat na internetu, a přijmout obchodní podmínky. E-mail s potvrzením registrace a původní faktura s datem koupě poslouží jako důkaz o prodloužené záruce.
- Záruka se vztahuje na veškeré vady na výrobku v rámci záruční doby způsobené výrobními vadami nebo vadami materiálu v době koupě. Záruka je omezena na opravu, popřípadě výměnu a nezahrnuje žádné další povinnosti, včetně mimo jiné vedlejších či následných odškodnění. Záruka neplatí při použití výrobku k nevhodným účelům, v rozporu s uživatelskou příručkou nebo při nesprávném zapojení. Záruka se nevztahuje na:
  - veškeré škody na výrobku způsobené nesprávnou údržbou
  - veškeré produkty, které byly pozměněny nebo opraveny
  - veškeré produkty, kde byly původní identifikační prvky (obchodní značka, sériové číslo) poničeny, pozměněny nebo odstraněny
  - veškeré škody způsobené nedodržováním pokynů uživatelské příručky
  - veškeré produkty bez CE certifikace
  - veškeré produkty, které se pokusil opravit nekvalifikovaný odborník nebo opravy bez předchozího svolení společnosti Techtronic Industries.
  - veškeré produkty zapojené do nesprávného elektrického zdroje (proud, napětí, frekvence)
  - veškeré produkty používané s nevhodnou palivovou směsí (paliwo, olej, procento oleje)
  - veškeré škody způsobené externími vlivy (chemickými, fyzickými, nárazy) nebo cizími látkami
  - běžné opotřebování dílů
  - nevhodné použití, přetěžování nástroje
  - použití neschválených příslušenství nebo dílů
  - veškerá pravidelná seřízení nebo čištění v rámci údržby karburátorů
  - komponenty (díly a příslušenství) podléhající opotřebení, včetně mimo jiné nárazových koleček, posuvných pásů, spojek, nožů plotových nůžek a sekaček na trávu, popruhu, plynového lanka, karbonových kartáčů, napájecího kabelu, zubů, plstěných podložek, závěsných kolků, větráků fukaru, trubic fukaru a vysavače, vaku a popruhu vysavače, vodících lišt, pilových řetězů, hadic, konektorů, trysek, kol, stříkacích tyčí, vnitřních cívek, vnějších kotoučů, řezných strun, zapalovacích svíček, vzduchových filtrů, plynových filtrů, mulčovačích nožů atd.
- K provedení servisu musí být výrobek zaslán nebo předán do autorizovaného servisního centra společnosti RYOBI, jejichž adresy jsou uvedeny podle zemi v seznamu servisních center. V některých zemích za vás výrobek pošle servisní organizaci RYOBI sám prodejce výrobků této značky. Při zaslání výrobku do servisního centra RYOBI je potřeba výrobek bezpečně zabalit bez nebezpečného obsahu jako benzín, opatřit adresou odesílatele a připojit krátký popis závady.
- Oprava, popř. výměna v rámci této záruky je zdarma. Neznamená to prodloužení nebo začátek nové záruční lhůty. Vyměněné díly nebo nástroje přejdou do našeho vlastnictví. V některých zemích platí poštovné odesílatele. Vaše zákonná práva vyplývající z koupě tohoto nástroje zůstávají nedotčena.
- Tato záruka platí v Evropském Společenství, Švýcarsku, Norsku, Lichtenštejnsku, Turecku, Rusku a na Islandu. Mimo tuto území kontaktujte autorizovaného prodejce značky RYOBI, který zjistí, zda se na výrobek vztahuje jiná záruka.

### POVĚŘENÉ SERVISNÍ STŘEDISKO

Pro nalezení nejbližšího pověřeného servisního střediska navštivte <http://cz.ryobitools.eu/header/service-and-support/service-agents>.

## **HU** A RYOBI® GARANCIA ALKALMAZÁSÁNAK FELTÉTELEI

A vásárlásból adódó törvényben rögzített jogok mellett a termékre az alábbi garancia vonatkozik.

1. A fogyasztói garancia tartama 24 hónap, mely a termék vásárlásának napjával kezdődik. Ezt a dátumot számlával vagy a vásárlást igazoló egyéb dokumentummal kell bizonyítani. A termék rendelkezése csak fogyasztói és magáncéllú használat. Ezért professzionális vagy kereskedelmi használat esetén a garancia nem érvényes.
2. A kerti szerszámok (egyenáramú/váltóáramú) egy részénél a garancia időtartama a [www.ryobitools.eu](http://www.ryobitools.eu) weboldalon regisztrálva meghosszabbítható. Az áruházakban, a csomagoláson, illetve a termék dokumentációjában egyértelműen jelezzük, hogy az adott termék garanciája meghosszabbítható-e. A végfelhasználónak a vásárlás dátumától számított 30 napon belül regisztrálnia kell az újonnan vásárolt szerszámot. A végfelhasználó akkor regisztrálhat a kiterjesztett garanciára, ha az ország, ahol lakik, fel van sorolva az online regisztrációs űrlapon azon országok között, ahol választható ez az opció. Ezenkívül a végfelhasználónak bele kell egyeznie az online regisztrálás során szükséges adatok tárolásába, és el kell fogadnia a felhasználási feltételeket. A kiterjesztett garanciát a regisztráció beérkezésétől e-mailben küldött visszaigazolás és a vásárlás dátumát tartalmazó eredeti számla igazolja.
3. A garancia a termék vásárlásakor fennálló, a gyártás során keletkezett hibákra és anyaghibákra érvényes a garanciális időtartamon belül. A garancia csak a javításra/cseréire korlátozódik, és nem terjed ki semmilyen egyéb kötelezettségre, nem kizárólagosan ideértve a véletlen vagy szándékos rongálást. A garancia nem érvényes, ha a terméket nem megfelelően, a használati utasításban foglaltakkal ellentétben, illetve nem megfelelően csatlakoztatva használták. A garancia nem vonatkozik:
  - a terméket a nem megfelelő karbantartás következtében ért károsodásra – megváltoztatott vagy átalakított termékre
  - olyan termékre, melyen az eredeti azonosítókat (védjegy, sorozatszám) megrongálták, megváltoztatták vagy eltávolították
  - a használati utasítás be nem tartásából eredő kárra
  - CE jelöléssel nem rendelkező termékekre
  - olyan termékre, melyet nem képzett, illetve a Techtronic Industries által nem feljogosított szerelő javított
  - nem megfelelő (áramerősségű, feszültségű, frekvenciájú) áramforrásra csatlakoztatott termékre
  - nem megfelelő üzemanyag-keverékkel (üzemanyag, olaj, olaj aránya) használt termékre
  - külső (fizikai, utés) hatásokból vagy idegen anyagokból eredő károkra
  - a cserélhető alkatrészek természetes kopására és elhasználódására
  - a szerzőszám helytelen használatára, tültérhelésére
  - nem jóváhagyott tartozékok és alkatrészek használatára
  - A karburátorok rendszeres beállítása, karbantartása, tisztítása
  - A természetes kopásnak és elhasználódásnak kitett alkatrészek és kiegészítők, például (de nem kizárólag) damildobok, ékszíjak, foglalatok, sövényvágók és fűnyírók kése, heveder, gázbowden, szénkefék, tápkábel, kultivátorfogak, ficalátétek, akasztószögek, fűvókészülékek ventilátora, fűvő- és szívócsövek, szívózsák és pántok, terelőrudak, fűrészláncok, tömlők, csatlakozószervevények, permetezőfejek, kerekék, permetezőszárak, belső dobok, külső csévék, vágódamlok, gyűjtőgyertyák, légszűrők, gázsűrők, mulcsozókések stb.
4. A terméket javításra el kell vinni egy meghatalmazott RYOBI szervizbe; ezeket a egyes országokhoz a következő listában találja. Egyes országokban a helyi RYOBI kereskedő vállalja a termék elszállítását a RYOBI szervizbe. A terméket veszélyes tartalom, például benzín nélkül csomagolva, a feladó címét feltüntetve, a hiba rövid leírásával együtt küldje el a RYOBI szervizbe.
5. A jelen garancia hatálya alatt végzett javítás, illetve csere ingyenes. Nem jelenti a garanciális időtartam újraindulását. A kicserélt alkatrészek és szerszámok a mi tulajdonunkba kerülnek. Egyes országokban a szállítás vagy postázás költségét a feladó viseli. A vevőnek a szerzőszám megvásárlásából adódó törvényes jogai nem változnak.
6. Jelen garancia az Európai Közösségben, Svájcban, Izlandon, Norvégiában, Liechtensteinben, Törökországban és Oroszországban érvényes. E területen kívül kérdezze meg a RYOBI forgalmazót, hogy milyen garancia van érvényben.

### **HIVATALOS SZERVIZKÖZPONT**

A legközelebbi hivatalos szervizközpont megtalálásához látogasson el a <http://hu.ryobitools.eu/header/service-and-support/service-agents>.

## **RO** CONDIȚII DE APLICARE A GARANȚIEI PENTRU PRODUSELE RYOBI®

În plus față de condițiile statutare rezultate din achiziționarea acestui produs, acesta este acoperit de garanția stipulată mai jos.

1. Perioada de garanție este de 24 de luni pentru consumatori și începe de la data achiziționării produsului. Data de începere a garanției trebuie demonstrată cu o factură sau altă dovadă a cumpărării produsului. Produsul este destinat și conceput doar pentru utilizare în scopuri personale. Din acest motiv, nu se oferă garanție pentru utilizarea sa în scop profesional sau comercial.
2. Există posibilitatea de extindere a perioadei de garanție pentru gama de unelte electrice pentru grădină (de CA/CC) peste perioada stipulată mai sus prin înscrierea produsului pe website-ul [www.ryobitools.eu](http://www.ryobitools.eu). Eligibilitatea pentru perioada de extindere a garanției este afișată în mod clar în magazinele de vânzare și/sau pe ambalaj sau este inclusă în documentația livrată împreună cu produsul. Utilizatorul final este obligat să-și înregistreze produsul online în termen de maxim 30 de zile de la achiziția acestuia. Utilizatorul final poate înregistra produsul pentru garanția extinsă oferită în țara sa de rezidență dacă aceasta este listată în formularul de înregistrare online și dacă această opțiune este validă. În plus, utilizatorii finali trebuie să-și dea acordul pentru stocarea datelor personale solicitate la înregistrarea online și trebuie să accepte termenii și condițiile. Mesajul de confirmare a înregistrării, trimis prin e-mail și factura originală cu data achiziției vor dovedi perioada de garanție extinsă.
3. Garanția acoperă toate defecțiunile produsului survenite în perioada de garanție datorate defectelor de execuție sau materialelor folosite, începând cu data achiziției acestuia. Garanția este limitată la reparație și/sau înlocuire și nu include alte obligații, inclusiv, dar fără a se limita la daune accidentale sau rezultate pe cale de consecință. Garanția își pierde valabilitatea dacă produsul este utilizat necorespunzător, utilizează necorespunzător instrucțiunile de utilizare din manualul cu instrucțiuni sau conectat incorect. Garanția nu se aplică în cazul:
  - oricărei defecțiuni survenite în urma înnorării necorespunzătoare a produsului
  - oricărui produs alterat sau modificat
  - oricărui produs la care inscripțiile cu datele de identificare (marca comercială, numărul de serie) au fost șterse, modificate sau îndepărtate
  - oricărei defecțiuni datorate neconformării cu instrucțiunile din manualul de utilizare
  - oricărui produs necertificat CE
  - oricărui produs asupra căruia au fost efectuate tentative de reparație de către personal necalificat sau fără autorizație prealabilă din partea Techtronic Industries.
  - oricărui produs conectat la o sursă de alimentare necorespunzătoare (curent, tensiune, frecvență)
  - oricărui produs utilizat cu un amestec de carburant necorespunzător (combustibil, ulei, proporții de adaos ulei)
  - oricărui defecțiune datorate unor influențe externe (chimice, fizice, șocuri) sau substanțe străine
  - uzurii și fisurării normale a pieselor de rezervă
  - utilizării neadecvate, suprasolicitării uneltei
  - utilizării de piese și accesorii neaprobate
  - Operațiunile de curățare sau reglare periodică a carburatoarelor
- Componentele (piese și accesorii) supuse uzurii și defectării normale, care includ, fără a se limita la manșoane de protecție, curele de transmisie, ambreiaji, lamele de la tăietoarele de arbore sau gazon, harnașamente, cablu de accelerație, perii de cărbune, cordon de alimentare, dinți, discuri de păslă, știfturi de siguranță, ventilatoare de suflantă, tuburi de aspirare sau suflare, sac de colectare resturi și banda de susținere a acestuia, bare de ghidare, lanțuri de fierăstrău, furtunuri, accesorii de conectare, duze de pulverizare, volante, baghete de pulverizare, moșoare interne, carcase exterioare pentru moșoare, fire tăietoare, bujii, filtre de aer, filtre de gaz, lame de tocător, etc.
4. Pentru efectuarea reparațiilor, produsul trebuie trimis sau adus la un centru de reparații autorizat RYOBI din lista următoare de centre de reparații prezentate pentru fiecare țară. În anumite țări, reprezentatul local RYOBI va trimite produsul spre reparație la sediul central de reparații RYOBI. Atunci când trimiteți produsul spre reparație la un centru de reparații RYOBI, acesta trebuie ambalat în siguranță, fără conținut periculos (cum ar fi benzină), marcat cu adresa expeditorului și însoțit de o scurtă descriere a defectului.
5. Repararea/înlocuirea în perioada de garanție este gratuită. Aceasta nu este însoțită de o prelungire sau o reințiere a perioadei de garanție. Piesele sau uneltele schimbate devin proprietatea dvs. În anumite țări, taxele de expediție sau postate vor fi suportate de expeditor. Drepturile dvs. statutare rezultate din achiziția produsului rămân ne schimbate.
6. Această garanție este valabilă în Comunitatea Europeană, Elveția, Islanda, Norvegia, Liechtenstein, Turcia și Rusia. În afara acestor zone, vă rugăm să contactați reprezentantul dvs. local RYOBI pentru a determina dacă se aplică alt tip de garanție.

### **CENTRU DE SERVICE AUTORIZAT**

Pentru a găsi un centru de service autorizat lângă dvs., vizitați <http://uk.ryobitools.eu/header/service-and-support/service-agents>.

## LV RYOBI® GARANTIJAS PIEMĒROŠANAS NOSACĪJUMI

Papildus jebkādam likumiskajām tiesībām, kuras rodas, veicot pirkumu, izstrādājums tiek nodrošināts ar tālāk tekstā noteikto garantiju.

- Garantijas periods patērētājiem ir 24 mēneši, tač skatīte kī sākta no datuma, kurā veikta izstrādājuma iegāde. Šim datumam jābūt dokumentētām rēķinā vai citā pirkumu apliecināso dokumentā. Izstrādājums ir radīts un paredzēts tikai patērētājā privātai lietošanai. Saisībā ar iepriekšminēto, garantija netiek nodrošināta profesionālas vai komerciālas lietošanas gadījumā.
- Pastāv iespēja pagarināt daļas no dārza instrumentu klāsta (Maignstrāvas/ akumulatoru) garantiju ilgāk par iepriekš minēto periodu, izmantojot reģistrāciju interneta vietnē [www.ryobitools.eu](http://www.ryobitools.eu). Instrumenti, kas pakļauti garantijas perioda pagarināšanai, tiek skaidri apzīmēti veikalos un/vai uz iepakojuma un izstrādājumu komplektējošajā dokumentācijā. Gala lietotājam nepieciešams reģistrē tā iegādāto jauno instrumentu 30 dienu laikā no pirkuma datuma. Gala lietotājs var reģistrēties pagarinātajai garantijai savā mītnes valstī, ja tā minēta tiešsaistes reģistrācijas veidlapā, kurā šī iespēja ir aktīva. Bez tam, gala lietotājam ir jāsniedz pierādīšana tiešsaistes ievadīšanai nepieciešamo datu glabāšanai un jāpiekrīt noteikumiem un nosacījumiem. Reģistrācijas apstiprinājums, kas tiek nosūtīts, izmantojot e-pastu, un rēķina oriģināls, kurā norādīts iegādes datums, kalpo kā pagarinātās garantijas apstiprinājums.
- Garantija attiecas uz visiem izstrādājumu defektiem garantijas periodā, kas saistīti ar ražošanas vai materiālu defektiem no pirkuma datuma. Šī garantija tiek ierobežota ar remontu un/vai nomaiņu un neietver jebkādas citas saistības, tajā skaitā, bet ne tikai, cēloņsakarīgos vai saistītos bojājumus. Garantija nav spēkā, ja izstrādājums ir nepareizi lietots, izmantots pretēji norādēm lietošanas rokasgrāmatā vai bijis nepareizi pieslēgts. Šī garantija netiek attiecināta uz:
  - jebkādiem izstrādājuma bojājumiem, kas radušies nepareizas uzstādēšanas rezultātā
  - jebkuru izstrādājumu, kas ticis pārveidots vai mainīts
  - jebkuru izstrādājumu, kura oriģinālais identifikācijas (preču zīme, sērijas numurs) marķējums ir ticis nodzēsts, mainīts vai noņemts
  - jebkādiem bojājumiem, kuri radušies neievērojot norādes lietošanas rokasgrāmatā
  - jebkādam izstrādājumam bez CE sertifikācijas
  - jebkurai izstrādājumam, kura remontu mēģinājis veikt nekvalificēts personāls vai bez Technronic Industries iepriekšējas autorizācijas.
  - jebkurai izstrādājumam, kurš bijis pieslēgts neatbilstošu parametru (strāvas, sprieguma, frekvences) sprieguma avotam
  - jebkurai izstrādājumam, kurš bijis izmantots ar nepareizu degvielas maisījumu (degviela, eļļa, eļļas procentuālais saturs)
  - jebkuriem bojājumiem, kuri radušies ārējas iedarbības (ķīmiskas, fiziskas, triecieni) vai vielu ietekmē
  - detāļu normāla lietošanas nodiluma rezultātā
  - nepareizas lietošanas vai instrumentu pārslodzes rezultātā
  - neapstiprinātu detaļu vai aprīkojuma lietošanas rezultātā
  - jebkādos periodiskus karburatoru regulēšanas darbus vai apkopes tīrīšanu
  - Komponentus (daļas un aksesuārus), kas pakļauti dabīgām nodilumam, ieskaitot, bet neaprobežojoties ar atslētienu pogām, piedziņas sīksnādi, sajūgjiem, krūmu šķēru un pļaujmašīnu asmeņiem, uzskabēm, droseļu trošlēm, oglekļa sukām, elektrības vadiem, tapām, filca aplākšņiem, sakābes tapām, pūtēja ventilatoriem, pūtēja un sūkšanas caurulēm, savākšanas maisiem un sīksnādi, vadotņu plankām, zaģu ķēdēm, šūtenēm, savienojumu uzgaļiem, izsmidzinātāja uzgaļiem, riteņiem, izsmidzinātāja caurulēm, iekšējām spoļēm, ārējām spoļēm, pļaušanas aukām, aizdedzes svečēm, gaisa filtriem, degvielas filtriem, mulčēšanas asmeņiem, utt.
- servisa nodrošināšanai, izstrādājums ir jānodod pilnvarotā RYOBI servisa centrā, kas norādīts katrai valstij tālāk minētajā servisa centru adrešu sarakstā. Dažās valstīs jūsu vietējais RYOBI izplatītājs uzņemas izstrādājuma nosūtīšanu uz RYOBI servisa organizāciju. Nosūtīt izstrādājumu uz RYOBI servisa centru, izstrādājuma jābūt droši iepakotam, tas nedrīkst saturēt bīstamas vielas kā degvielu, sūtiĶjam jābūt marķētam ar sūtiĶtāja adresi un īsu ķirģimes aprakstu.
- Remonts/nomaiņa šīs garantijas ietvaros ir bezmaksas. Tas nerada garantijas perioda pagarināšanu vai jaunu garantiju. Nominātais daļas vai instrumentu ķlģst par mūsu īpašumu. Dažās valstīs piegādes vai pasta izmaksas būs jāapmaksā sūtiĶtājam. Jūsu likumiskās tiesības, kas nodibinās, iegādājoties instrumentu, paliek nemainģtas
- Šī garantija ir spēkā Eiropas Kopienā, Šveicē, Islandē, Norvēģijā, Līhtenšteinā, Turcijā un Krievijā. Ārpus šīm teritorijām, lģdzu, sazinģties ar jūsu pilnvaroto RYOBI izplatģtģju, lai noteiktu, vai ir piemģrojama cita garantģja.

### AUTORIZĒTS APKALPOŠANAS CENTRS

Lai atrastu tuvāko autorizēto apkalpošanas centru, apmeklģjiet <http://uk.ryobitools.eu/header/service-and-support/service-agents>.

## LT „RYOBI®“ GARANTIJOS TAIKIMO SĄLYGOS

Papildant bet kokias įstatymuose numatytas perkant atsiřandančias teises, šiam įrenginiui taikoma toliau nurodyta garantija.

### ĮGALIOTOS TECHNINĖS PRIEŽIŪROS CENTRAS

Jei norite surasti įgaliotą techninės priežiūros centrą netoli Jūsų, apsilankykite interneto svetainėje <http://uk.ryobitools.eu/header/service-and-support/service-agents>.

## ET RYOBI® GARANTIINGIMUSED

Lisaks toote ostust tulenevatele seadusjärgsetele õigustele, kehtib tootele ka alltoodud garantiiga.

1. Tarbijatele on garantiiaeg 24 kuud ja algab sellel kuupäeval, mil toode osteti. Selle kuupäeva tõestuseks on vaja arvet või mõnda teist tõendit ostu sooritamise kohta. Toode on mõeldud etarbijatele ainult isiklikeks kasutamiseks. Seega ei kehti garantiid ostu kasutamisel kutsetegevuses või kaubanduslikel eesmärkidel.
2. Teatud osale (vahelduvvoolu/alalisvoolu) aiatööriistadele on võimalik pikendada eespool toodud garantiiaega, kasades toote registreerimist veebilehel [www.ryobitools.eu](http://www.ryobitools.eu). Teave tööriista võimaliku pikendatud garantiiaja kohta on selgelt esile toodud poodides ja/või pakendil / ning see sisaldub toote dokumentatsioonis. Lõpptarbijaja peab registreerima oma uued tööriistad interneti teel 30 päeva jooksul pärast ostupäeva. Lõppkasutaja võib registreerida pikendatud garantiiaja saamise oma elukohariigis, kui veebis olevas registreerimisvormis on see valik lubatud. Lisaks peavad kasutajad andma oma nõusoleku veebis nõutud sisestatavate andmete säilitamiseks ning nad peavad nõustuma tingimustega. E-posti teel saadetav registreerimise kinnitus ja arve originaal, kus on näha ostu sooritamise kuupäev, on pikendatud garantiiaja tõestuseks.
3. Garantiid katab kõik defektid toote garantiiaja jooksul, kui ostu kuupäeval ilmnevad talitus- või materjalvead. Garantiid piirub toote remondi ja/või väljavahetamisega ning ei sisalda muid kohustusi, muu hulgas ettenägematuid või kaudseid kahjusid. Garantiid ei kehti, kui toodet ei ole kasutatud sihtotstarbelselt või kooskõlas kasutusjuhendiga või see on valesti ühendatud. Garantiid ei kehti järgmistel põhjustel:
  - toode on kahjustatud vale hoolduse tõttu
  - toode on muudetud
  - toote algupärased identifitseerimismärgised (kaubamärk, seerianumber) on rikutud, muudetud või eemaldatud
  - kahju on tekkinud kasutusjuhendi mittejärgimises
  - tootel puudub CE-märgis
  - toode on püüdnud remondida vastavalt kvalifikatsiooni mitte omav isik või ilma firma Techtronic Industries eelneva loata.
  - toode on ühendatud valesse teiteallikasse (voolutugevus, pinge, sagedus)
  - tootega kasutati sobimatut kütusesegu (kütus, õli, õli protsent)
  - välismõjude (keemilised, füüsilised, elektrilöögid) või võõrkehade tekitatud kahju
  - tavapärase kulumine ja katkised varuosad
  - ebaõige kasutamine, tööriista ülekoormamine
  - heakskiitmata tarvikute või osade kasutamine
  - Karburaatorite korralised reguleerimistööd või hooldus- ja puhastustööd
  - Komponentid (osad ja tarvikud), mida iseloomustab kulumine ja vananemine, muu hulgas puutenupud, kiilrihmad, sidur, heklõikurite või muruniidukite lõiketerad, rakmed, gaasitorid, süsinikharjad, toitejuhe, freesiterad, vildist seibid, tihvtid, õhuvventilaatorid, puhuri- ja imuritord, kogumiskott ja riimad, juhikud, saeketid, voolikud, liitmikud, pihusti otsakud, rattad, pritsi varred, sisemised poolid, välismised poolid, jõhvid, süteküünlad, õhufiltrid, gaasifiltrid, multšimisterad jne.
4. Hoolduseks peab toote saatma või viima RYOBI tootjate teenindusse, mille aadressi leiata järgnevat teeninduspunkti nimekirjast vastava riigi alt. Mõnedes riikides võtab kohalik RYOBI edasimüüja enda kanda kohustuse saata toode RYOBI teenindusorganisatsiooni. Tootte saatmisel RYOBI teenindusse peab toode olema ohutult pakitud ja ei tohi sisaldada ohtlikke aineid (nt bensiini), kirjas peab olema saatja aadress ja lisatud vea lühikirjeldus.
5. Garantiid alusel tehtavad remonditööd / asendamine on tasuta. See ei pikenda garantiid kehtivusaega ega tähistu uue garantiiaja algust. Väljavahetatud osad või tööriistad kuuluvad meile. Mõnedes riikides maksab kätetoimetamis- ja postikulud saatja. Teile jäävad kehtima tööriista ostust tulenevad seadusjärgsed õigused
6. See garantiid kehtib Euroopa Ühenduse territooriumil, Šveitsis, Islandil, Norras, Liechtensteinis, Türgis ja Venemaal. Väljaspool neid piirkondi võtke ühendust volitatud RYOBI edasimüüjaga, et teha kindlaks kas kehtib mõni teine garantiid.

## VOLITATUD HOOLDUSKESKUS

Oma volitatud hoolduskeskuse leiata veebisaidil <http://uk.ryobitools.eu/header/service-and-support/service-agents>.

## HR UVJETI PRIMJENE JAMSTVA TVRTKE RYOBI®

Osim svim zakonskim pravima koja proizlaze iz kupnje, ovaj je proizvod pokriven jamstvom kako je navedeno u nastavku.

1. Jamstveno razdoblje za potrošače traje 24 mjeseca i počinje s datumom na koji je proizvod kupljen. Taj datum mora se dokumentirati računom ili drugim dokazom o kupnji. Proizvod je konstruiran i namijenjen samo za privatnu upotrebu korisnika. Stoga se jamstvo ne daje u slučaju profesionalne ili komercijalne uporabe.
2. Postoji mogućnost da se za dio asortimana vrtnih alata pokretanih izmjeničnom strujom (AC/DC) proizvodi gore navedeno jamstveno razdoblje putem registriranja na mrežnom mjestu [www.ryobitools.eu](http://www.ryobitools.eu). Uvjeti koje je potrebno zadovoljiti kako bi se produžilo jamstveno razdoblje jasno su istaknuli u prodavaonicama i / ili na pakiranju i / nalaze se unutar dokumentacije proizvoda. Krajnji korisnik mora registrirati svoje novo kupljene alate na mreži u roku od 30 dana od datuma kupnje. Krajnji korisnik može se registrirati za produženo jamstvo u svojoj zemlji boravišta ako se nalazi na popisu u mrežnom obrascu za registraciju gdje je ta opcija važeća. Nadalje, krajnji korisnici moraju dati svoj pristanak na pohranu podataka koji su potrebni za mrežni ulazak i moraju prihvatiti odredbe i uvjete. Potvrda o prijemu registracije, koja se šalje putem e-pošte, kao i originalni račun s vidljivim datumom kupnje poslužat će kao dokaz produženog jamstva.
3. Jamstvo pokriva sve nedostatke proizvoda tijekom jamstvenog razdoblja koji su nastali zbog neispravnosti prilikom izrade ili materijala s datumom kupnje. Jamstvo je ograničeno na popravak i/ili zamjenu i ne obuhvaća nikakve druge obveze, uključujući, ali ne ograničavajući se na slučajne ili posljedne štete. Jamstvo ne vrijedi ako je proizvod bio zlorabljivan, korišten u suprotnosti s priručnikom s uputama ili ako je pogrešno spojen. Ovo jamstvo ne primjenjuje se na:
  - svako oštećenje proizvoda koje je rezultat nepravilnog održavanja
  - svaki proizvod koji je izmijenjen ili modificiran
  - svaki proizvod gdje su originalne identifikacijske oznake (zaštitni znak, serijski broj) izbrisane, zamijenjene ili uklonjene
  - svako oštećenje uzrokovano neprirodavanjem korisničkog priručnika
  - svaki proizvod koji nije CE
  - svaki proizvod koji je pokušao popraviti ne kvalificirani profesionalac ili bez prethodnog odobrenja od strane Techtronic Industries
  - svaki proizvod priključen na nepravilno napajanje energijom (amperi, napon, frekvencija)
  - Svaki proizvod korišten s neodgovarajućom mješavinom (gorivo, ulje, postotak ulja)
  - svako oštećenje uzrokovano vanjskim utjecajima (kemijsko, fiziko, udar) ili stranim stvarima
  - normalno trošenje i habanje rezervnih dijelova
  - nepravilno korištenje, preopterećenje alata
  - korištenje neodobrenog dodatnog pribora ili dijelova
  - rasplinjača nakon 6 mjeseci, podcavijanje rasplinjača nakon 6 mjeseci
  - komponente (dijelovi i dodatni pribor) koji su predmet prirodnog trošenja i habanja, uključujući no ne ograničavajući se na gumbe za otpuštanje, pogonske remene, spojku, oštrice trimera za grmlje ili kosilicu, kope, sajle gasa, ugljene četke, kabele za napajanje, nožve, podloške, ztkice za globnu vezu, ventilatore puhalice, cijevi za ispuhavanje i usisavanje, vakuumske vrećice i trake, vodilice, lance pile, crijeva, priključene elemente, mlaznice za raspršivanje, kodače, koplja za raspršivanje, unutarnje kolote, vanjske kaleme, flaksove, svjećice, filtre za zrak, filtre za plin, oštrice za usitnjavanje itd.
4. Za potrebe servisiranja, proizvod se mora poslati ili odnijeti u ovlaštenu servisnu postaju tvrtke RYOBI navedenu na sljedećem popisu s adresama servisnih postaja u svakoj zemlji. U nekim zemljama, vaš lokalni RYOBI zastupnik obvezuje se da će poslati proizvod u servisnu organizaciju tvrtke RYOBI. Kada se proizvod šalje u neku servisnu postaju tvrtke RYOBI, proizvod se mora sigurno pakirati bez jednog od opasnih sadržaja kao što je benzin, na njemu mora pisati adresa pošiljatelja i mora biti popraćen kratkim opisom kvara.
5. Popravak / zamjena pod ovim jamstvom su besplatni. Oni ne predstavljaju produženje ili novi početak jamstvenog razdoblja. Zamijenjeni dijelovi ili alati postaju naše vlasništvo. U nekim državama troškove isporuke ili poštarnu mora platiti pošiljatelj. Vaša zakonska prava koja proizlaze iz kupnje alata ostaju nepromijenjena
6. Ovo jamstvo vrijedi u Europskoj uniji, Švicarskoj, Islandu, Norveškoj, Lichtenštajnu, Turskoj i Rusiji. Izvan tih područja vas molimo da se obratite svojem ovlaštenom zastupniku tvrtke RYOBI kako biste utvrdili primjenjuje li se drugo jamstvo.

## OVLAŠTENI SERVISNI CENTAR

Za pronalaznje ovlaštenog servisnog centra pored vas posjetite <http://uk.ryobitools.eu/header/service-and-support/service-agents>.

## SL POGOJI ZA VELJAVNOST GARANCIJE RYOBI®

Poleg morebitnih zakonsko določenih pravic, ki izvirajo iz nakupa, za ta izdelek velja spodaj navedena garancija.

- Garancijsko obdobje je za potrošnike 24 mesecev in začne teči z dnem nakupa izdelka. Ta datum mora biti dokumentiran z računom ali drugim dokazilom o nakupu. Izdelek je zasnovan in namenjen izključno za potrošniško zasebno uporabo. V primeru strokovne oziroma komercialne uporabe izdelka garancija ne velja.
- Obstaja možnost podaljšanja garancije na del naše ponudbe vrtnih orodij (AC/DC) prek obdobja garancije, opisanega zgoraj, s pomočjo registracije na spletnem mestu [www.ryobitools.eu](http://www.ryobitools.eu). Ustreznost orodij za podaljšanje garancijskega obdobja je jasno prikazana v trgovinah in/ali na embalaži oziroma je navedena v dokumentaciji izdelka. Končni uporabnik mora registrirati svoje novo orodje na spletu v 30 dneh po datumu nakupa. Končni uporabnik lahko registrira podaljšano garancijo v svoji državi bivanja, če je na obrazcu spletne registracije navedeno, da ta možnost velja za njegovo državo. Poleg tega morajo končni uporabniki podati svoje soglasje za shranjevanje podatkov, ki so potrebni za spletno državo in morajo sprejeti pogoje in določila uporabe spletnega mesta. Potrdilo o registraciji, ki ga pošljemo preko e-pošte, in originalni račun, ki prikazuje datum nakupa, služita kot dokazilo o podaljšani garanciji.
- Garancija krije vse okvare izdelka, do katerih pride v garancijskem obdobju zaradi napak v izdelavi ali materialu, ki so bile prisotne ob datumu nakupa. Garancija je omejena na popravilo in/ali zamenjavo in ne vključuje nobenih drugih obveznosti, med drugim vključno z naključno ali posledično škodo. Garancija ne velja, če je bil izdelek napačno uporabljen, uporabljen v nasprotju z navodili iz priročnika za uporabo ali če ni bil pravilno povezan. Ta garancija ne velja za:
  - škodo na izdelku, ki je posledica neustreznega vzdrževanja
  - spremenjen ali prilagojen izdelek
  - izdelek, katerega originalna identifikacijska oznaka (blagovna znamka, serijska številka) je bil poškodovan, spremenjena ali odstranjena
  - škodo, ki je posledica neupoštevanja navodil iz priročnika za uporabo
  - izdelek, ki nima oznake CE
  - izdelek, ki ga je poskušal opraviti ne kvalificiran strokovnjak ali ki je bil popravljen brez predhodne odobritve s strani družbe Techtronic Industries.
  - izdelek, ki je bil povezan na neustrezno napajanje (amperska moč, napetost, frekvenca)
  - izdelek, ki je bil uporabljen z neustrezno mešanico goriva (gorivo, olje, odstotek olja)
  - škodo, ki jo povzročijo zunanji vplivi (kemični, fizični, mehanski) ali tuje snovi
  - rezervne dele, ki so podvrženi običajni uporabi
  - neprimerno uporabo, preobremenitev orodja
  - uporabo neodobrenih dodatkov ali delov
  - Vsako redno prilagajanje ali vzdrževalno čiščenje uplinjačev
  - Komponente (sestavni in rezervni deli), ki so podvrženi običajni obrabi, med drugim vključno z gumbi odbijaca, pogonskimi jermeni, sklopko, rezili obrezovalnikov za žive meje ali kosilnic za trato, nosilnimi pasovi, kabli, dušilnimi ventili, oglikovimi krtačami, napajalnimi kabli, zobci, tesnili iz filca, veznimi zatiči, ventilatorji pihalnika, cevni pihalnika in sesalnika, vrečko in pasovi sesalnika, vodilnimi palicami, verigami motorne žage, cevami, priključki, razpršilnimi šobami, kolesi, razpršilnimi palicami, notranjimi kolesci, zunanji motki, rezalnimi vrvicami, vžigalnimi svečkami, zračnimi filtri, plinskimi filtri, rezili za mulčenje itd.
- Za servisiranje morate izdelek poslati ali prinesiti v pooblaščen servisni center družbe RYOBI, ki je naveden za vsako državo in naslednjem seznamu naslovov servisnih centrov. V nekaterih državah se vaš lokalni posrednik družbe RYOBI obveže, da bo poslal izdelek na servis družbe RYOBI. Ko pošiljate izdelek v servisni center družbe RYOBI, mora biti izdelek varno zapakiran in ne sme vsebovati nobenih nevarnih snovi, kot je npr. bencin, opremljen pa mora biti z naslovom pošiljatelja in vsebovati kratek opis napake.
- Popravilo/zamenjava v skladu s to garancijo sta brezplačni storitvi. To pa ne predstavlja podaljšanja ali ponovnega začetka garancijskega obdobja. Zamenjani deli ali orodja postanejo naša last. V nekaterih državah stroške dostave ali poštno plačo pošiljatelj. Vaše zakonsko določene pravice, ki izvirajo iz nakupa orodja, ostajajo nespremenjene.
- Ta garancija velja v Evropski skupnosti, Švici, Islandiji, na Norveškem, v Lihtenštajnu, v Turčiji in Rusiji. Izven teh območij se obrnite na svojega pooblaščenega posrednika izdelkov RYOBI, dealer ki vam bo povedal, ali velja kakšna druga garancija.

### POOBLAŠČEN SERVISNI CENTER

Pooblaščen servisni center blizu vas poiščite na <http://uk.ryobitools.eu/header/service-and-support/service-agents>.

## SK ZÁRUČNÉ PODMIENKY RYOBI®

Na tento výrobok sa okrem všetkých zákonných práv, vyplývajúcich z nákupu, vzťahuje záruka v nasledovnom znení.

- Záručná doba pre spotrebiteľa je 24 mesiacov a začína plynúť odo dňa, kedy bol výrobok zakúpený. Tento dátum musí byť doložený faktúrou alebo iným dokladom o zakúpení. Výrobok je navrhnutý a určený pre spotrebiteľov a len na súkromné používanie. Preto sa záruka sa neposkytuje v prípade použitia na profesionálne a komerčné účely.
- V prípade záhradného náradia (na striedavý/jednosmerný prúdu AC/DC), existuje možnosť predĺženia záručnej doby oproti záručnej dobe, uvedenej vyššie, s využitím on-line registrácie na webovej stránke [www.ryobitools.eu](http://www.ryobitools.eu). Označenie na náradí o nároku na predĺženie záručnej doby je zreteľne uvedené v obchodoch a/alebo na obale a je uvedené v dokumentácii k výrobku. Koncový používateľ musí zaregistrovať svoje novozískané náradie on-line do 30 dní odo dňa nákupu. Koncový používateľ sa môže zaregistrovať na predĺženie záruky v krajine svojho bydliska, ak je v on-line registračnom formulári uvedená táto možnosť. Ďalej musia koncoví používatelia ešte dať svoj súhlas k uchovávaní údajov, ktoré je potrebné zadať on-line a musia súhlasiť s podmienkami. Potvrdenie o prijatí registrácie, ktorá je zaslaná e-mailom a originálna faktúra, v ktorej je uvedený dátum nákupu, slúžia ako dôkaz o predĺženej záruke.
- Záruka sa vzťahuje na všetky poruchy výrobku v záručnej dobe, spôsobené chybami materiálů alebo spracovaním k dátumu nákupu. Táto záruka je omezená na opravu a/alebo výmenu a nezahtáva ďalšie povinnosti, vrátane, okrem iných, náhodné alebo následné škody. Táto záruka je neplatná, ak bol výrobok nesprávne používaný, bol používaný v rozpore s návodom na použitie alebo bol nesprávne zapojený. Táto záruka sa nevzťahuje na:
  - akékoľvek poškodenie výrobku, ktoré bolo spôsobené nesprávnou obsluhou
  - akýkoľvek výrobok, ktorý bol zmenený alebo upravený
  - akýkoľvek výrobok, na ktorom bolo poškodené, upravené alebo odstránené identifikačné označenie (ochranná známka, výrobné číslo)
  - akékoľvek škody, spôsobené nedodržaním návodu na obsluhu
  - akýkoľvek výrobok, ktorý neobsahuje označenie CE
  - akýkoľvek výrobok, ktorý sa pokúšal opraviť nekvalifikovaný odborník alebo bol opravovaný bez predchádzajúceho súhlasu zo strany spoločnosti Techtronic Industries.
  - akýkoľvek výrobok, pripojený k nesprávnemu napájaciemu zdroju (ampéry, napätie, frekvencia)
  - akýkoľvek výrobok, používaný s nesprávnou palivovou zmesou (palivo, olej, percento oleja)
  - akékoľvek poškodenia, spôsobené vonkajšími vplyvmi (chemickými, fyzikálnymi, nárazmi) alebo cudzorodými látkami
  - bežné opotrebovanie náhradných dielov
  - nehodné použitie, preťažovanie nástroja
  - používanie neschváleného príslušenstva a dielov
  - Akékoľvek pravidelné úpravy alebo čistenie karburátorov, vykonávaných vrámi údržby
  - Súčiastky (diely a príslušenstvo), ktoré podliehajú prirodzenému opotrebeniu, okrem iných, otočné gombíky, hnače remene, spojka, nože na nožnice na živý plot alebo kosačky na trávu, popruhy, lanko škrtiacej klapky, uhľiky, napájací kábel, radičky, pistené podložky, závesné kince, lopatky fúkačov, trubice vysávača a fúkača, vak do vysávača a popruhy, vodiace lišty, reťazové píly, hadice, spojovacie armatúry, trysky, kolesá, striekacie rúrky, vnútorné cievky, vonkajšie cievky, žacie lanká, zapalovacie sviečky, vzduchové filtre, benzínové filtre, mulčovacie nože atď.
- Na opravu musí byť výrobok odoslaný alebo doručený do autorizovaného servisného strediska RYOBI, uvedeného pre každú krajinu v nasledovnom zozname adries servisných stredísk. V niektorých krajinách miestny zástupca RYOBI preberá na seba záväzok zaslať tovar do servisnej organizácii RYOBI. Pri odosielaní výrobku do servisného strediska RYOBI je potrebné výrobok bezpečne zabaliť bez akéhokoľvek nebezpečného obsahu, ako je benzín, s vyznačením adresy odosiadateľa, s krátkym popisom poruchy.
- Oprava/výmena je vrámi tejto záruky bezplatná. Neznamená to predĺženie záruky alebo spustenie novej záručnej doby. Vymenené diely alebo nástroje sa stávajú našim vlastníctvom. V niektorých krajinách náklady na odoslanie alebo poštné musí zaplatiť odosiadateľ. Vaše zákonné práva, vyplývajúce z nákupu náradia, zostávajú nedotknuté
- Táto záruka platí v Európskej únii, Švajčiarsku, Islande, Nórsku, Lihtenštajnsku, Turesku a Rusku. Ak sa nachádzate mimo týchto oblastí, obráťte sa na autorizovaného predajcu RYOBI na určenie, či sa dá uplatniť iná záruka.

### AUTORIZOVANÉ SERVISNÉ CENTRUM

Ak chcete nájsť najbližšie autorizované servisné centrum, navštívte stránku <http://uk.ryobitools.eu/header/service-and-support/service-agents>.



## **BG** УСЛОВИЯ ЗА ВАЛИДНОСТ НА ГАРАНЦИЯТА НА RYOBI®

В допълнение към законоустановените права, произтичащи от покупката, този продукт е обхванат от гаранция, както е изложено по-долу.

- Гаранционният срок е 24 месеца за клиенти и започва да тече от деня на закупуване на продукта. Тази дата трябва да се докаже с фактура или друго доказателство за покупка. Продуктът е изработен и предназначен само за потребителска и лична употреба. Следователно не се дава гаранция в случай на използване от професионалисти или с търговска цел.
- Съществува възможност за удължаване на гаранционния срок за част от диалогана на гаранцията на градински инструменти (AC/DC) след изтичането на описания тук чрез регистрация на уеб сайта [www.ryobitools.eu](http://www.ryobitools.eu). В магазините и/или на опаковката или вътре в документацията на продукта е показано ясно дали инструментът отговаря на условията за такова удължаване на гаранционния срок. Крайният потребител трябва да регистрира своите новопридобити инструменти онлайн в рамките на 30 дни от датата на покупка. Крайният потребител може да се регистрира за удължена гаранция в държавата си на пребиваване, ако е посочена във формуляра за онлайн регистрация като място, където тази опция е валидна. Освен това крайните потребители трябва да дадат съгласието си за съхранение на данните, които са задължителни за ползване онлайн, и трябва да приемат общите условия. Полученото потвърждение за регистрация, изпратено по електронна поща, и оригиналната фактура, показваща датата на покупка, ще служат като доказателство за удължената гаранция.
- Гаранцията покрива всички дефекти на продукта по време на гаранционния срок, които се дължат на проблеми в изработката или материалите към момента на покупката. Гаранцията е ограничена до ремонт и/или замяна и не включва други задължения, включително, но не само, случайни или косвени щети. Гаранцията е невалидна, ако продуктът е използван неправилно или в противоречие с ръководството с инструкции, както и ако е свързан неправилно. Тази гаранция не важи за:
  - щети по продукта в резултат на неправилна профилактика
  - продукти, които са били изменени или модифицирани
  - продукт, при който оригиналните маркировки за идентификация (търговска марка, сериен номер) са изтрети, променени или премахнати
  - повреда, причинена от неспазване на ръководството с инструкции
  - продукт без CE маркировка
  - продукт, за който е направен опит за ремонт от неквалифициран специалист или без предварително разрешение от Techtronic Industries.
  - продукт, свързан към неподходящо електросъхранение (ампераж, волтаж, честота)
  - продукт, използван с неподходяща горивна смес (гориво, масло, процент масло)
  - щети, причинени от външни влияния (химични, физични, удари) или чужди вещества
  - нормално износване на резервни части
  - неподходяща употреба, претоварване на инструмента
  - използване на неодобриени аксесорни или части
  - Всякакви периодични настройки или почистване с цел извършване на поддръжка на карбуратори
  - Компоненти (част и аксесорни), подложени на естествено износване, включително, но не само, копчета за тласкане, задвижващи ремъци, съединители, остриета на ножици за жив плет или косачки за трева, пресрамаки, кабелен дросел, карбонови четки, ذخранващ кабел, остриета, филцови шабви, осигурителни шифтове, вентилатори на уреди за обдухване, тръби за обдухване и всмукване, торба за отпадъци и ремъци, водещи шини, вериги за триони, маркучи, фитинги на конектори, дюзи, копела, пръскалки, вътрешни и външни макири, режещо влакно, запалителни свещи, въздушни филтри, горивни филтри, остриета за мулчиране и др.
- За обслужване продуктът трябва да се изпрати или занесе на оторизиран сервиз на RYOBI, посочен за всяка държава в следния списък с адреси на сервиси. В някои държави местният търговец на RYOBI поема отговорността да изпрати продукта до сервизен център на RYOBI. При изпращане на продукт до сервиз на RYOBI той трябва да е опакован безопасно без опасност съдържание, напр. бензин, да е маркиран с адреса на подателя и придружен от кратко описание на повредата.
- Ремонтът/замяната по силата на тази гаранция са безплатни. Те не водят до удължаване или подновяване на гаранционния срок. Сменените части или инструменти стават наша собственост. В някои държави таксите за доставка или изпращане трябва да се платят от подателя. Законоустановените ви права, произтичащи от закупуването на инструмента, остават незасегнати
- Тази гаранция е валидна в Европейската общност, Швейцария, Исландия, Норвегия, Лихтенщайн, Турция и Русия. Извън тези области се свържете с упълномощения търговец на RYOBI, за да се установи дали е приложима друга гаранция.

### УПЪЛНОМОЩЕН СЕРВИЗЕН ЦЕНТЪР

За да намерите упълномощен сервизен център близо до вас, посетете <http://uk.ryobitools.eu/header/service-and-support/service-agents>.

## **UK** ГАРАНТИЙНИ УМОВИ ДЛЯ RYOBI®

Окрім загалом установлених законом прав, що стосуються покупки, цей пристрій покривається гарантією, що зазначено нижче.

- Гарантійний період для споживачів складає 24 місяці і починається з моменту придбання цього пристрою. Ця дата повинна бути задокументована у гарантійному талоні або чеку, що підтверджує покупку. Цей пристрій був розроблений і призначений тільки для споживчого та приватного використання. У разі професійного або комерційного використання цього пристрою, він втрачає гарантію.
- Існує можливість продовжити гарантійний період, понад період описаний вище, для частини лінійки садових інструментів (перемінного/ постійного струму) за допомогою реєстрації на сайті [www.ryobitools.eu](http://www.ryobitools.eu). Пристрої, які мають право на подовження гарантійного періоду, мають чіткі позначки щодо цього в магазинах і / або на упаковці / та документаші до пристрою. Кінцевий користувач повинен зареєструвати його/її новопридбаний пристрій онлайн протягом 30 днів з дати покупки. Кінцевий користувач може зареєструватися для подовження гарантійного періоду в своїй країні постійного перебування, якщо вона є доступною у відповідній опції онлайн форми реєстрації. Крім того, кінцеві користувачі повинні дати свою згоду на зберігання даних, які необхідні для введення онлайн, а також вони повинні прийняти правила та умови. Отримання підтвердження реєстрації, яке відправляється на адресу електронної пошти, та оригінал гарантійного талона із зазначеною датою покупки буде слугувати доказом подовженої гарантії.
- Гарантія поширюється на всі дефекти пристрою протягом гарантійного терміну щодо недотримання стандартів виробництва або матеріалів на дату придбання. Гарантія обмежується ремонтом та/або заміною, та не включає в себе будь-яких інших зобов'язань, в тому числі, але необмежена у разі випадкових та подальших пошкоджень. Гарантія не діє, якщо пристрій використовувався неналежним чином, всупереч інструкції з експлуатації або був неправильно підключений до мережі. Дана гарантія не поширюється на:
  - пристрої, що були пошкоджені у результаті неправильного технічного обслуговування;
  - пристрої, що були видозмінені або модифіковані;
  - пристрої, оригінальні ідентифікаційне (товарний знак, серійний номер) маркування яких було пошкоджене, змінене або видалено;
  - будь-які пошкодження, заподіяні недотриманням інструкції з експлуатації;
  - пристрої, що не мають маркування CE;
  - пристрої, що були відремонтовані некваліфікованим фахівцем або за відсутності попереднього дозволу від Techtronic Industries;
  - пристрої, підключені до невідповідного джерела живлення (сила току, напруження, частота);
  - пристрої, що використовувались із невідповідною паливною сумішшю (паливом, оливою, відсотковою часткою оливи);
  - будь-які пошкодження спричинені зовнішнім впливом (хімічними, фізичним, стрибком напруги) або сторонніми речовинами;
  - нормальну амортизацію запасних частин;
  - невідповідне використання, перевантаження пристрою;
  - використання непідтверджених запасних частин або аксесуарів;
  - Будь-які періодичні коригування або технічне очищення карбураторів
  - Компоненти (частини та аксесуари) з урахуванням нормального зношування, враховуючи але без обмеження на імпульсні кнопки, реміні приводу, зчеплення, леза куцоріза або газонокосарки, реміні, троси дросельного клапану, вугільні щітки, шнурки живлення, зубці, фетрові підкладки, зчіпні штирі, вентилятори повітродувки, трубки пилососа та повітродувки, вакуумні мішки та накладки, напрямні, панчоги, гнучкі шланги, з'єднувальні фітинги, розпилювальні насадки, колеса, жорсткі сола, внутрішні котушки, зовнішні золотники, ріжучу волосінку, свічки запалення, повітряні фільтри, протигазові фільтри, мультисувальні леза, т.д.
- Для обслуговування, пристрій має бути відправлений або поданий до одного з авторизованих сервісних центрів RYOBI, які перелічені для кожної країни у наступному переліку адрес сервісних центрів. У деяких країнах місцевий дилер RYOBI зобов'язується відправити пристрій до сервісного центру RYOBI. При відправленні пристрою до сервісного центру RYOBI, пристрій має бути надійно упакуваний для будь-якого безбезпечного вмісту, наприклад бензину, з позначеною адресою відправника та супроводжується коротким описом несправності.
- Ремонт / заміна відповідно до цієї гарантії здійснюється безкоштовно. Це не є основою для подовження або початку нового гарантійного періоду. Замінені частини або прилади переходять до власності компанії. У деяких країнах вартість доставки або поштові витрати повинні бути сплачені відправником. Загально встановлені права покупця на пристрій залишаються незмінними
- Ця гарантія діє в Європейському Союзі, Швейцарії, Ісландії, Норвегії, Лихтенштейні, Туреччині та Росії. За межами цих зон, будь ласка, зверніться до офіційного дилера RYOBI, щоб визначити, чи застосовується інша гарантія.

### АВТОРИЗОВАНІ СЕРВІСНІ ЦЕНТРИ

Для отримання оновленого переліку авторизованих сервісних центрів, відвідайте <http://uk.ryobitools.eu/header/service-and-support/service-agents>.

## TR RYOBI® GARANTİ UYGULAMA KOŞULLARI

Alımdan kaynaklanan yasal haklara ek olarak, ürün aşağıda belirtilen garanti kapsamındadır.

1. Tüketiciler için 24 ay olan garanti süresi, ürünün satın alındığı tarihte başlar. Bu tarihin bir fatura ya da alım kantıtyla belgelenmesi gerekir. Ürün sadece tüketim ve özel kullanım için geliştirilmiş ve adanmıştır. Bu nedenle, profesyonel ya da ticari kullanım halinde garanti kapsamı sağlanmaz.
2. Bahçe aletlerinin bir bölümü (AC/DC) için [www.ryobitools.eu](http://www.ryobitools.eu) sayfasındaki kayıt işlemini kullanarak garantinin belirtilen süresinin ötesine uzatma imkanı mevcuttur. Aletlerin garanti süresinin uzatılmasına uygun olup olmadığı mağazalarda ve / veya ambalajda açıkça belirtilmiş olup, ürün dokümantasyonunda gösterilir. Son kullanıcının yeni aldığı aletleri satın alma tarihini izleyen 30 gün içinde kaydettirmesi gerekir. Son kullanıcı ikamet ettiği ülkede, bu seçeneğin geçerli olduğu çevrimiçi kayıt formunda belirtilmişse, uzatılmış garanti süresi için kayıt yaptırabilir. Dahası, son kullanıcıların çevrimiçi giriş için gerekli verilerin kaydedilmesine izin vermemi ve hüküm ve koşulları kabul etmelidir. E-posta ile gönderilen kayıt teyit makbuzu ve alım tarihini gösteren orijinal fatura uzatılmış garantinin kanıtı olarak değerlendirilir.
3. Garanti, ürünün alım tarihindeki işçilik ve malzeme kusurları nedeniyle garanti süresi içinde oluşacak bütün arızalarını kapsar. Bu garanti onarım ve değiştirmeyle sınırlı olup, tesadüfi ya da dolaylı hasarlar da dahil, ancak bunlarla kısıtlı olmayan başka hiçbir taahhüdü kapsamaz. Garanti, ürünün kötü, kullanıcı kılavuzuna aykırı kullanılmış ya da yanlış bağlanmış olması halinde geçerli değildir. Bu garanti aşağıdakileri kapsamaz:
  - ürende, yanlış bakımdan kaynaklanan herhangi bir hasar
  - değiştirilmiş ya da modifiye edilmiş herhangi bir ürün
  - orijinal tanıtmış işaretleri (ticari marka, seri numarası) silinmiş, değiştirilmiş ya da kaldırılmış herhangi bir ürün
  - kullanma kılavuzuna uymamaktan kaynaklanmış herhangi bir hasar
  - herhangi bir AT dışı ürün
  - kalifiye olmamış personel tarafından ya da önceden Techtronic Industries onayı alınmadan onarılmış herhangi bir ürün.
  - uygunsuz güç kaynağına (amper, voltaj, frekans) bağlanmış herhangi bir ürün
  - uygunsuz bir yakıt karışımıyla (yakıt, yağ, yap yüzdesi) kullanılmış herhangi bir ürün
  - harici etkenlerden (kimyasal, fiziksel, darbe) veya yabancı cisimlerden kaynaklanan her türlü hasar
  - normal aşınır ve yıpranır aksam
  - uygunsuz kullanım, aletin aşırı yüklenmesi
  - onaysız aksesuar veya parça kullanımı
  - Karbüratörlere uygulanacak her türlü periyodik ayar, bakım veya temizlik
  - Darbe Düğmeleri, Tahrik Kayışları, Kavrama, Çit Budama ya da Çim Bıçma Makinelerinin Bıçakları, Kayış Koşumlar, Kablo Gaz, Kömür Fırçalar, Güç Kablo, Dişler, Keçe Rondelalar, Bağlantı Pimleri, Üfleyci Pervaneleri, Üfleyci ve Vakum Boruları, Vakum Torbası ve Kayışları, Kılavuz Çubuklar, Zincir Testere, Hortumlar, Konektör bağlantıları, Püskürtme Memeleri, Çarklar, Püskürtme Çubukları, Dahili Makaralar, Harici Makaralar, Kesme Telleri, Bujiler, Hava Filtreleri, Gaz Filtreleri, Malçlama Bıçakları vb. gibi parçaları kapsayan, ancak bunlarla sınırlı olmayan, aşınma ve yıpranmaya tabi bileşenler (aksam ve aksesuarlar).
4. Ürünün servis için her ülkede aşağıdaki servis istasyonları adres listesinde yer alan yetkili bir RYOBI servis istasyonuna gönderilmesi ya götürülmesi gereklidir. Bazı ülkelerde, yerel RYOBI distribütörünüz ürünü RYOBI servis teşkilatına göndermeyi üstlenir. Bir ürün bir RYOBI servis istasyonuna gönderilirken, ürünün güvenli bir biçimde ambalajlanması, benzin gibi tehlikeli maddeler içermemesi, gönderenin adresini taşıması ve anızanın kısa bir açıklamasını içermesi gerekir.
5. Bu garanti kapsamında yapılacak onarım / değişiklik ücretsizdir. Garanti süresinin uzatılması ya da yeniden başlatılması anlamına gelmez. Değiştirilmiş parçalar veya aletler bize ait olur. Bazı ülkelerde teslim ücretleri veya posta giderlerinin gönderici tarafından ödenmesi gerekir. Alımdan kaynaklanan yasal haklarınız etkilenmez
6. Bu Garanti Avrupa Topluluğu, İsviçre, İzlanda, Norveç, Liechtenstein, Türkiye ve Rusya'da geçerlidir. Bu alanların dışında, başka bir garantinin geçerli olup olmadığını belirlemek için lütfen yetkili RYOBI distribütörünüzle irtibata geçin.

### YETKİLİ SERVİS MERKEZİ

En yakın yetkili servis merkezini öğrenmek için <http://uk.ryobitools.eu/header/service-and-support/service-agents> sitesine girin.

**EN** DECLARATION OF CONFORMITY

Techtronic Industries GmbH  
Max-Eyth-Straße 10, 71364 Winnenden, Germany

Herewith we declare that the product

Cordless Power Washer  
Brand: RYOBI  
Model number: RY18PW22A  
Serial number range: 47529500000000 - 47529500999999

is in conformity with the following European Directives and harmonised standards  
2014/35/EU, 2014/30/EU, 2011/65/EU, EN 55014-1:2017, EN 55014-2:2015,  
EN 60335-1:2012+A11+A13, EN 60335-2-54:2008+A11+A1, EN 62233:2008,  
EN50581:2012

Sven Eschrich  
VP of Engineering – TTI Outdoor Power Division  
Winnenden, Jun. 15, 2020

Authorised to compile the technical file:  
Alexander Krug, Managing Director  
Techtronic Industries GmbH  
Max-Eyth-Straße 10, 71364 Winnenden, Germany



**DE** KONFORMITÄTserklärung

Techtronic Industries GmbH  
Max-Eyth-Straße 10, 71364 Winnenden, Germany

Hiermit erklären wir, dass die Produkte

Akku-Mitteldruckreiniger  
Marke: RYOBI  
Modellnummer: RY18PW22A  
Seriennummernbereich: 47529500000000 - 47529500999999

mit den folgenden europäischen Richtlinien und harmonisierten Normen entspricht  
2014/35/EU, 2014/30/EU, 2011/65/EU, EN 55014-1:2017, EN 55014-2:2015,  
EN 60335-1:2012+A11+A13, EN 60335-2-54:2008+A11+A1, EN 62233:2008,  
EN50581:2012

Sven Eschrich  
VP Maschinenbau – TTI Bereich Outdoor Power  
Winnenden, Jun. 15, 2020

Autorisiert die technische Datei zu erstellen:  
Alexander Krug, Geschäftsführer  
Techtronic Industries GmbH  
Max-Eyth-Straße 10, 71364 Winnenden, Germany



**FR** DÉCLARATION DE CONFORMITÉ

Techtronic Industries GmbH  
Max-Eyth-Straße 10, 71364 Winnenden, Germany

Déclarons par la présente que le produit

Nettoyeur haute-pression sans fil  
Marque: RYOBI  
Numéro de modèle: RY18PW22A  
Étendue des numéros de série: 47529500000000 - 47529500999999

est conforme aux Directives Européennes et Normes Harmonisées suivantes  
2014/35/EU, 2014/30/EU, 2011/65/EU, EN 55014-1:2017, EN 55014-2:2015,  
EN 60335-1:2012+A11+A13, EN 60335-2-54:2008+A11+A1, EN 62233:2008,  
EN50581:2012

Sven Eschrich  
VP de l'ingénierie – Branche des outils électriques pour extérieur TTI  
Winnenden, Jun. 15, 2020

Autorisé à rédiger le dossier technique:  
Alexander Krug, Directeur Général  
Techtronic Industries GmbH  
Max-Eyth-Straße 10, 71364 Winnenden, Germany



**ES** DECLARACIÓN DE CONFORMIDAD

Techtronic Industries GmbH  
Max-Eyth-Straße 10, 71364 Winnenden, Germany

Por la presente declaramos que los productos

Limpiador eléctrico inalámbrico  
Marca: RYOBI  
Número de modelo: RY18PW22A  
Intervalo del número de serie: 47529500000000 - 47529500999999

se encuentra en conformidad con las siguientes Directivas Europeas y normas armonizadas  
2014/35/EU, 2014/30/EU, 2011/65/EU, EN 55014-1:2017, EN 55014-2:2015,  
EN 60335-1:2012+A11+A13, EN 60335-2-54:2008+A11+A1, EN 62233:2008,  
EN50581:2012

Sven Eschrich  
Vicepresidente de ingeniería - División de Herramientas Eléctricas de Exterior TTI  
Winnenden, Jun. 15, 2020

Autorizado para elaborar la ficha técnica:  
Alexander Krug, Administrador Ejecutivo  
Techtronic Industries GmbH  
Max-Eyth-Straße 10, 71364 Winnenden, Germany





## IT DICHIARAZIONE DI CONFORMITÀ

Techtronic Industries GmbH  
Max-Eyth-Straße 10, 71364 Winnenden, Germany

Si dichiara con la presente che il prodotto

Pulitore a batteria  
Marca: RYOBI  
Numero modello: RY18PW22A  
Gamma numero seriale: 47529500000000 - 47529500999999

è conforme alle seguenti Direttive Europee e ai seguenti standard armonizzati  
2014/35/EU, 2014/30/EU, 2011/65/EU, EN 55014-1:2017, EN 55014-2:2015,  
EN 60335-1:2012+A11+A13, EN 60335-2-54:2008+A11+A1, EN 62233:2008,  
EN50581:2012

Sven Eschrich  
VP di ingegneria - TTI Divisione Prodotti per l'Uso all'Aperto  
Winnenden, Jun. 15, 2020

Autorizzato per compilare il file tecnico:  
Alexander Krug, Direttore Amministrativo  
Techtronic Industries GmbH  
Max-Eyth-Straße 10, 71364 Winnenden, Germany



## PT DECLARAÇÃO DE CONFORMIDADE

Techtronic Industries GmbH  
Max-Eyth-Straße 10, 71364 Winnenden, Germany

Pelo presente declaramos que os produtos

Máquina de lavar sem fios  
Marca: RYOBI  
Número do modelo: RY18PW22A  
Intervalo do número de série: 47529500000000 - 47529500999999

se encontra em conformidade com as seguintes Directivas Europeias e normas  
harmozizadas  
2014/35/EU, 2014/30/EU, 2011/65/EU, EN 55014-1:2017, EN 55014-2:2015,  
EN 60335-1:2012+A11+A13, EN 60335-2-54:2008+A11+A1, EN 62233:2008,  
EN50581:2012

Sven Eschrich  
VP de Engenharia – Divisão de Alimentação para Exteriores TTI  
Winnenden, Jun. 15, 2020

Autorizado para compilar o ficheiro técnico:  
Alexander Krug, Administrador Executivo  
Techtronic Industries GmbH  
Max-Eyth-Straße 10, 71364 Winnenden, Germany



## NL CONFORMITEITSVERKLARING

Techtronic Industries GmbH  
Max-Eyth-Straße 10, 71364 Winnenden, Germany

Hierbij verklaren wij dat het product

Snoerloze elektrische reiniger  
Merk: RYOBI  
Modelnummer: RY18PW22A  
Serienummerbereik: 47529500000000 - 47529500999999

is in overeenstemming met de volgende Europese Richtlijnen en geharmoniseerde  
normen

2014/35/EU, 2014/30/EU, 2011/65/EU, EN 55014-1:2017, EN 55014-2:2015,  
EN 60335-1:2012+A11+A13, EN 60335-2-54:2008+A11+A1, EN 62233:2008,  
EN50581:2012

Sven Eschrich  
VP techniek – TTI divisie krachtgereedschap voor buitenshuis  
Winnenden, Jun. 15, 2020

Afgevaardigde voor het samenstellen van de technische fiche:  
Alexander Krug, Directeur  
Techtronic Industries GmbH  
Max-Eyth-Straße 10, 71364 Winnenden, Germany



## DA OVERENSSTEMMELSESERKLÆRING

Techtronic Industries GmbH  
Max-Eyth-Straße 10, 71364 Winnenden, Germany

Vi erklærer hermed, at produktet

Batteridrevnen højtryksrenser  
Brand: RYOBI  
Modelnummer: RY18PW22A  
Serienummerområde: 47529500000000 - 47529500999999

er i overensstemmelse med følgende EU-direktiver og harmoniserede standarder  
2014/35/EU, 2014/30/EU, 2011/65/EU, EN 55014-1:2017, EN 55014-2:2015,  
EN 60335-1:2012+A11+A13, EN 60335-2-54:2008+A11+A1, EN 62233:2008,  
EN50581:2012

Sven Eschrich  
Ledende teknisk direktør - TTI Udendørs Kraftdivision  
Winnenden, Jun. 15, 2020

Bemyndiget til at udarbejde det tekniske kartotek:  
Alexander Krug, Administrerende Direktør  
Techtronic Industries GmbH  
Max-Eyth-Straße 10, 71364 Winnenden, Germany



**SV KONFORMITETSDEKLARATION**

Techtronic Industries GmbH  
Max-Eyth-Straße 10, 71364 Winnenden, Germany

*Härmed deklarerar vi att produkterna*

Sladdlös högttryckstvätt  
Märke: RYOBI  
Modellnummer: RY18PW22A  
Serienummerintervall: 47529500000000 - 47529500999999

*är i enlighet med följande EU-direktiv och harmoniserade standarder*  
2014/35/EU, 2014/30/EU, 2011/65/EU, EN 55014-1:2017, EN 55014-2:2015,  
EN 60335-1:2012+A11+A13, EN 60335-2-54:2008+A11+A1, EN 62233:2008,  
EN50581:2012

Sven Eschrich  
Teknisk chef - Enheten för TTI-utomhusel  
Winnenden, Jun. 15, 2020

Godkänd att sammanställa den tekniska filen:  
Alexander Krug, VD  
Techtronic Industries GmbH  
Max-Eyth-Straße 10, 71364 Winnenden, Germany

CE

**NO SAMSVARERKLÆRING**

Techtronic Industries GmbH  
Max-Eyth-Straße 10, 71364 Winnenden, Germany

*Herved erklærer vi at produktet*

Kabelfri høytrykksspylter  
Märke: RYOBI  
Modellnummer: RY18PW22A  
Serienummerserie: 47529500000000 - 47529500999999

*er i samsvar med følgende europeiske direktiver og harmoniserte standarder*  
2014/35/EU, 2014/30/EU, 2011/65/EU, EN 55014-1:2017, EN 55014-2:2015,  
EN 60335-1:2012+A11+A13, EN 60335-2-54:2008+A11+A1, EN 62233:2008,  
EN50581:2012

Sven Eschrich  
Senior teknologidirektør - TTI avdeling for utendørs kraft  
Winnenden, Jun. 15, 2020

Autorisert til å sette sammen den tekniske filen:  
Alexander Krug, Administrerende Direktør  
Techtronic Industries GmbH  
Max-Eyth-Straße 10, 71364 Winnenden, Germany

CE

**FI SÄÄNNÖSTEN NOUDATTAMINEN**

Techtronic Industries GmbH  
Max-Eyth-Straße 10, 71364 Winnenden, Germany

*Ilmoitamme täten, että tuotteet*

kkukäyttöinen painepesuri  
Tuotemerkki: RYOBI  
Mallinumero: RY18PW22A  
Sarjanumerosalue: 47529500000000 - 47529500999999

*noudattaa seuraavia EU-direktivejä ja harmonoituja standardeja*  
2014/35/EU, 2014/30/EU, 2011/65/EU, EN 55014-1:2017, EN 55014-2:2015,  
EN 60335-1:2012+A11+A13, EN 60335-2-54:2008+A11+A1, EN 62233:2008,  
EN50581:2012

Sven Eschrich  
Tekninen johtaja - TTI:n ulkoyökälujen osasto  
Winnenden, Jun. 15, 2020

Valtuutettu kokoamaan tekninen tiedosto:  
Alexander Krug, Toimitusjohtaja  
Techtronic Industries GmbH  
Max-Eyth-Straße 10, 71364 Winnenden, Germany

CE

**RU ЗАЯВЛЕНИЕ О СООТВЕТСТВИИ ТРЕБОВАНИЯМ**

Techtronic Industries GmbH  
Max-Eyth-Straße 10, 71364 Winnenden, Germany

*Настоящим мы заявляем, что данный продукт*

Беспроводная мойка высокого давления  
Марка: RYOBI  
Номер модели: RY18PW22A  
Диапазон заводских номеров: 47529500000000 - 47529500999999

*соответствует требованиям следующих Директив ЕС и согласованных стандартов*  
2014/35/EU, 2014/30/EU, 2011/65/EU, EN 55014-1:2017, EN 55014-2:2015,  
EN 60335-1:2012+A11+A13, EN 60335-2-54:2008+A11+A1, EN 62233:2008,  
EN50581:2012

Sven Eschrich  
Вице-президент по инжинирингу – Отдел уличных электроприборов TTI  
Winnenden, Jun. 15, 2020

Лицо, ответственное за подготовку технической документации:  
Alexander Krug, Директор  
Techtronic Industries GmbH  
Max-Eyth-Straße 10, 71364 Winnenden, Germany

CE

**PL** DEKLARACJA ZGODNOŚCI

Techtronic Industries GmbH  
Max-Eyth-Straße 10, 71364 Winnenden, Germany

*Niniejszym deklarujemy, że produkty*

Myjka bezprzewodowa  
Marka: RYOBI  
Numer modelu: RY18PW22A  
Zakres numerów seryjnych: 47529500000000 - 47529500999999

*jest zgodny z następującymi dyrektywami europejskimi i zharmonizowanymi normami*

2014/35/EU, 2014/30/EU, 2011/65/EU, EN 55014-1:2017, EN 55014-2:2015,  
EN 60335-1:2012+A11+A13, EN 60335-2-54:2008+A11+A1, EN 62233:2008,  
EN50581:2012

Sven Eschrich  
Wiceprezes ds. technicznych - Dział Ogrodowych Urządzeń z Napędem TTI  
Winnenden, Jun. 15, 2020

Osoba upoważniona do sporządzenia dokumentu technicznego:

Alexander Krug, Dyrektor Zarządzający  
Techtronic Industries GmbH  
Max-Eyth-Straße 10, 71364 Winnenden, Germany



**HU** MEGFELELŐSÉGI NYILATKOZAT

Techtronic Industries GmbH  
Max-Eyth-Straße 10, 71364 Winnenden, Germany

*Ezúton kijelentjük, hogy a termékek*

Akkumulátoros magasnyomású mosó  
Márka: RYOBI  
Típuszám: RY18PW22A  
Sorozatszám tartomány: 47529500000000 - 47529500999999

*megfelel az alábbi Európai Irányelvek és harmonizált szabványok vonatkozó rendelkezéseinek*

2014/35/EU, 2014/30/EU, 2011/65/EU, EN 55014-1:2017, EN 55014-2:2015,  
EN 60335-1:2012+A11+A13, EN 60335-2-54:2008+A11+A1, EN 62233:2008,  
EN50581:2012

Sven Eschrich  
Műszaki osztály alelnöke - TTI kültéri tápegységek divíziója  
Winnenden, Jun. 15, 2020

A műszaki dokumentáció összeállítására felhatalmazott:

Alexander Krug, Ügyvezető Igazgató  
Techtronic Industries GmbH  
Max-Eyth-Straße 10, 71364 Winnenden, Germany



**CS** PROHLÁŠENÍ O SHODĚ

Techtronic Industries GmbH  
Max-Eyth-Straße 10, 71364 Winnenden, Germany

*Tímto prohlašujeme, že výrobky*

Akkumulátorový vysokotlaký čistič  
Značka: RYOBI  
Číslo modelu: RY18PW22A  
Rozsah sériových čísel: 47529500000000 - 47529500999999

*že tento výrobek je v souladu s evropskými a harmonizovanými standardy*

2014/35/EU, 2014/30/EU, 2011/65/EU, EN 55014-1:2017, EN 55014-2:2015,  
EN 60335-1:2012+A11+A13, EN 60335-2-54:2008+A11+A1, EN 62233:2008,  
EN50581:2012

Sven Eschrich  
Ředitel vývoje – divize TTI venkovního nářadí s pohonem  
Winnenden, Jun. 15, 2020

Pověření ke kompilaci technického souboru:

Alexander Krug, Generální Ředitel  
Techtronic Industries GmbH  
Max-Eyth-Straße 10, 71364 Winnenden, Germany



**RO** DECLARAȚIE DE CONFORMITATE

Techtronic Industries GmbH  
Max-Eyth-Straße 10, 71364 Winnenden, Germany

*Prin prezenta, declarăm că produsele*

Aparat electric de spălat, fără fir  
Marcă: RYOBI  
Număr serie: RY18PW22A  
Gamă număr serie: 47529500000000 - 47529500999999

*este în conformitate cu următoarele Directive Europene și standarde armonizate*

2014/35/EU, 2014/30/EU, 2011/65/EU, EN 55014-1:2017, EN 55014-2:2015,  
EN 60335-1:2012+A11+A13, EN 60335-2-54:2008+A11+A1, EN 62233:2008,  
EN50581:2012

Sven Eschrich  
Director Adjunct Producție - Divizia TTI Unelte Electrice de Uz Exterior  
Winnenden, Jun. 15, 2020

Autorizat să completeze fișa tehnică:

Alexander Krug, Director General  
Techtronic Industries GmbH  
Max-Eyth-Straße 10, 71364 Winnenden, Germany



**LV** ATBILSTĪBAS DEKLARĀCIJA

Techtronic Industries GmbH  
Max-Eyth-Straße 10, 71364 Winnenden, Germany

*Ar šo paziņojam, ka produkti*

Akumulatora augstspiediena mazgātājs  
Zīmols: RYOBI  
Modeļa numurs: RY18PW22A  
Sērijas numura intervāls: 47529500000000 - 47529500999999

*atbilst šādām Eiropas direktīvām un saskaņotajiem standartiem*

2014/35/EU, 2014/30/EU, 2011/65/EU, EN 55014-1:2017, EN 55014-2:2015,  
EN 60335-1:2012+A11+A13, EN 60335-2-54:2008+A11+A1, EN 62233:2008,  
EN50581:2012

Sven Eschrich  
Inženierijas viceprezidents - TTI Vides produktu nodaļa  
Winnenden, Jun. 15, 2020



*Pilnvarots sastādīt tehnisko failu:*

Alexander Krug, Izpildedirektors  
Techtronic Industries GmbH  
Max-Eyth-Straße 10, 71364 Winnenden, Germany

**ET** VASTAVUSDEKLARATSIOON

Techtronic Industries GmbH  
Max-Eyth-Straße 10, 71364 Winnenden, Germany

*Kinnitame, et see toode*

Juhtmeta survepesur  
Mark: RYOBI  
Mudeli number: RY18PW22A  
Seerianumbri vahemik: 47529500000000 - 47529500999999

*vastab järgmistele Euroopa direktiividele ja harmoniseeritud standarditele*

2014/35/EU, 2014/30/EU, 2011/65/EU, EN 55014-1:2017, EN 55014-2:2015,  
EN 60335-1:2012+A11+A13, EN 60335-2-54:2008+A11+A1, EN 62233:2008,  
EN50581:2012

Sven Eschrich  
Asepresident tehnika alal – TTI välisõode tööriistade osakond  
Winnenden, Jun. 15, 2020



*Tehnilise faili koostamiseks volitatud isik:*

Alexander Krug, Tegevdirektor  
Techtronic Industries GmbH  
Max-Eyth-Straße 10, 71364 Winnenden, Germany

**LT** ATITIKTIES DEKLARACIJA

Techtronic Industries GmbH  
Max-Eyth-Straße 10, 71364 Winnenden, Germany

*Mes pareiškiame, kad šie produktai*

Akumulatorinis aukšto slėgio plovimo įrenginys  
Prekės ženklas: RYOBI  
Modelio numeris: RY18PW22A  
Serijinio numerio diapazonas: 47529500000000 - 47529500999999

*pagamintas laikantis toliau nurodytųjų Europos Direktyvų ir darniųjų standartų*

2014/35/EU, 2014/30/EU, 2011/65/EU, EN 55014-1:2017, EN 55014-2:2015,  
EN 60335-1:2012+A11+A13, EN 60335-2-54:2008+A11+A1, EN 62233:2008,  
EN50581:2012

Sven Eschrich  
Technikos-TTI lauko įrenginių skyriaus direktoriaus pavaduotojas  
Winnenden, Jun. 15, 2020



*Įgaliotas sudaryti techninį failą:*

Alexander Krug, Generalinis Direktorius  
Techtronic Industries GmbH  
Max-Eyth-Straße 10, 71364 Winnenden, Germany

**HR** EC IZJAVA O USKLADENOSTI

Techtronic Industries GmbH  
Max-Eyth-Straße 10, 71364 Winnenden, Germany

*Ovime izjavljujemo da su proizvodi*

Akumulatorski električni perač  
Marka: RYOBI  
Broj modela: RY18PW22A  
Raspon serijskog broja: 47529500000000 - 47529500999999

*usklađen sa sljedećim Europskim Direktivama i usklađenim normama*

2014/35/EU, 2014/30/EU, 2011/65/EU, EN 55014-1:2017, EN 55014-2:2015,  
EN 60335-1:2012+A11+A13, EN 60335-2-54:2008+A11+A1, EN 62233:2008,  
EN50581:2012

Sven Eschrich  
Potpredsjednik inženjerskog odjela - TTI Divizija za vanjsko napajanje  
Winnenden, Jun. 15, 2020



*Ovlašten da sastavi tehničku datoteku:*

Alexander Krug, Direktor Upravljanja  
Techtronic Industries GmbH  
Max-Eyth-Straße 10, 71364 Winnenden, Germany

**SL** IZJAVA O SKLADNOSTI

Techtronic Industries GmbH  
Max-Eyth-Straße 10, 71364 Winnenden, Germany

*Izjavljamo, da je izdelek*

Brezžični visokotlačni čistilec  
Znamka: RYOBI  
Številka modela: RY18PW22A  
Razpon serijskih števil: 47529500000000 - 47529500999999

*v skladu s sledečimi evropskimi direktivami in harmoniziranimi standardi*

2014/35/EU, 2014/30/EU, 2011/65/EU, EN 55014-1:2017, EN 55014-2:2015,  
EN 60335-1:2012+A11+A13, EN 60335-2-54:2008+A11+A1, EN 62233:2008,  
EN50581:2012

Sven Eschrich  
Podpredsednik inženiringa – Oddelek TTI za zunanje električno orodje  
Winnenden, Jun. 15, 2020



Pooblaščen oseba za sestavo tehnične dokumentacije:

Alexander Krug, Izvršni Direktor  
Techtronic Industries GmbH  
Max-Eyth-Straße 10, 71364 Winnenden, Germany

**BG** ДЕКЛАРАЦИЯ НА ЗА СЪОТВЕТВИЕ

Techtronic Industries GmbH  
Max-Eyth-Straße 10, 71364 Winnenden, Germany

С настоящето декларираме, че продуктите

Безжична електрическа водоструйка  
Марка: RYOBI  
Номер на модела: RY18PW22A  
Обхват на серийни номера: 47529500000000 - 47529500999999

отговаря на следните директиви на ЕС и хармонизирани стандарти

2014/35/EU, 2014/30/EU, 2011/65/EU, EN 55014-1:2017, EN 55014-2:2015,  
EN 60335-1:2012+A11+A13, EN 60335-2-54:2008+A11+A1, EN 62233:2008,  
EN50581:2012

Sven Eschrich  
Вицепрезидент „Машиностроене“ – отдел „Електроуреди за употреба на открито“ на TTI  
Winnenden, Jun. 15, 2020



Упълномощено лице за съставяне на техническия файл:

Alexander Krug, Изпълнителен Директор  
Techtronic Industries GmbH  
Max-Eyth-Straße 10, 71364 Winnenden, Germany

**SK** PREHLÁSENIE O ZHODE

Techtronic Industries GmbH  
Max-Eyth-Straße 10, 71364 Winnenden, Germany

*Týmto vyhlasujeme, že výrobok*

Elektrická akumulátorová umývačka  
Značka: RYOBI  
Číslo modelu: RY18PW22A  
Rozsah sériových čísel: 47529500000000 - 47529500999999

*je v súlade s nasledujúcimi Európskymi smernicami a harmonizovanými normami*

2014/35/EU, 2014/30/EU, 2011/65/EU, EN 55014-1:2017, EN 55014-2:2015,  
EN 60335-1:2012+A11+A13, EN 60335-2-54:2008+A11+A1, EN 62233:2008,  
EN50581:2012

Sven Eschrich  
Viceprezident pre technické záležitosti – divízia exteriérových elektrických zariadení TTI  
Winnenden, Jun. 15, 2020



Oprávnená osoba na zostavenie technického súboru:

Alexander Krug, Generálny Riaditeľ  
Techtronic Industries GmbH  
Max-Eyth-Straße 10, 71364 Winnenden, Germany

**UK** ДЕКЛАРАЦИЯ ПРО ВІДПОВІДНІСТЬ

Techtronic Industries GmbH  
Max-Eyth-Straße 10, 71364 Winnenden, Germany

При цьому ми заявляємо, що продукт

Акумуляторна мийка  
Марка: RYOBI  
Номер моделі: RY18PW22A  
Діапазон серійного номеру: 47529500000000 - 47529500999999

у відповідності з наступними європейськими директивами та гармонізованими стандартами

2014/35/EU, 2014/30/EU, 2011/65/EU, EN 55014-1:2017, EN 55014-2:2015,  
EN 60335-1:2012+A11+A13, EN 60335-2-54:2008+A11+A1, EN 62233:2008,  
EN50581:2012

Sven Eschrich  
Технічний директор – відділ енергетики відкритого типу TTI  
Winnenden, Jun. 15, 2020



Дозвіл на складання технічного файла:

Alexander Krug, керуючий Директор  
Techtronic Industries GmbH  
Max-Eyth-Straße 10, 71364 Winnenden, Germany



**TR UYGUNLUK BEYANI**

Techtronic Industries GmbH  
Max-Eyth-StraÙe 10, 71364 Winnenden, Germany

*İŖ bu belge ile bu ürünün*

Kablosuz Yıkama Makinesi  
Marka: RYOBI  
Model numarası: RY18PW22A  
Seri numarası aralığı: 47529500000000 - 47529500999999

*aŖağıdaki Avrupa Direktiflerine ve uyulaŖtırılmıŖ standartlara uygun olduđunu  
beyan ediyorum*

2014/35/EU, 2014/30/EU, 2011/65/EU , EN 55014-1:2017, EN 55014-2:2015,  
EN 60335-1:2012+A11+A13, EN 60335-2-54:2008+A11+A1, EN 62233:2008,  
EN50581:2012



Sven Eschrich  
Mühendislik Başkan Yardımcısı - TTI Açık Hava Güç Bölümü  
Winnenden, Jun. 15, 2020

**CE**

Teknik dosyayı derlemekle yetkili sorumlu:  
Alexander Krug, İdari Müdür  
Techtronic Industries GmbH  
Max-Eyth-StraÙe 10, 71364 Winnenden, Germany





- EN** RYOBI is a trade mark of Ryobi Limited, and is used under license.  
© 2020 Techtronic Cordless GP.
- FR** RYOBI est une marque déposée de Ryobi Limited, et est utilisée sous license.  
© 2020 Techtronic Cordless GP.
- DE** RYOBI ist ein Markenzeichen von Ryobi Limited und wird in Lizenz verwendet.  
© 2020 Techtronic Cordless GP.
- ES** RYOBI es una marca registrada de Ryobi Limited, y se utiliza bajo licencia.  
© 2020 Techtronic Cordless GP.
- IT** L'utilizzo del marchio registrato RYOBI è legato alla licenza concessa da Ryobi Limited.  
© 2020 Techtronic Cordless GP.
- NL** RYOBI is een handelsmerk van Ryobi Limited en wordt onder licentie gebruikt.  
© 2020 Techtronic Cordless GP.
- PT** RYOBI é uma marca comercial de Ryobi Limited, e é utilizada sob licença.  
© 2020 Techtronic Cordless GP.
- DA** RYOBI er et varemærke tilhørende Ryobi Limited og bruges under licens.  
© 2020 Techtronic Cordless GP.
- SV** RYOBI är en del av varumärke Ryobi Limited och dess användning är licensierad.  
© 2020 Techtronic Cordless GP.
- FI** RYOBI on Ryobi Limitedin omistama tavaramerkki, ja sitä käytetään lisenssin puitteissa.  
© 2020 Techtronic Cordless GP.
- NO** RYOBI er et varemerke for Ryobi Limited, og brukes under lisens.  
© 2020 Techtronic Cordless GP.
- RU** RYOBI является товарным знаком компании Ryobi Limited, используемым по лицензии.  
© 2020 Techtronic Cordless GP.
- PL** RYOBI to znak towarowy firmy Ryobi Limited i jest używany zgodnie z udzieloną licencją.  
© 2020 Techtronic Cordless GP.
- CS** RYOBI je ochranná známka společnosti Ryobi Limited a její používání podléhá licenci.  
© 2020 Techtronic Cordless GP.
- HU** A RYOBI a Ryobi Limited védjegye, használatá licenc keretében történik.  
© 2020 Techtronic Cordless GP.
- RO** RYOBI este o marcă comercială a firmei Ryobi Limited și este utilizată sub licență.  
© 2020 Techtronic Cordless GP.
- LV** RYOBI ir Ryobi Limited preču zīme un tiek izmantota saskaņā ar licenci.  
© 2020 Techtronic Cordless GP.
- LT** „RYOBI” yra „Ryobi Limited” prekės ženklas, naudojamas pagal licenciją.  
© 2020 Techtronic Cordless GP.
- ET** RYOBI on ettevõtte Ryobi Limited kaubamärk, mida kasutatakse litsentsi alusel.  
© 2020 Techtronic Cordless GP.
- HR** RYOBI je žig tvrtke Ryobi Limited i koristi se po licenci.  
© 2020 Techtronic Cordless GP.
- SL** RYOBI je blagovna znamka družbe Ryobi Limited in se uporablja na podlagi dovoljenja.  
© 2020 Techtronic Cordless GP.
- SK** RYOBI je ochranná známka spoločnosti Ryobi Limited a používa sa na základe licencie.  
© 2020 Techtronic Cordless GP.
- BG** RYOBI е търговска марка на Ryobi Limited и се използва под лиценз.  
© 2020 Techtronic Cordless GP.
- UK** RYOBI е товарним знаком Ryobi Limited, і використовується за ліцензією.  
© 2020 Techtronic Cordless GP.
- TR** RYOBI, Ryobi Limited şirketine ait olup, lisans altında kullanılan bir ticari markadır.  
© 2020 Techtronic Cordless GP.





**Techtronic Industries GmbH**  
Max-Eyth-Straße 10,  
71364 Winnenden, Germany

961001674-01