



- EN
- FR
- DE
- ES
- IT
- NL
- PT
- DA
- SV
- FI
- NO
- RU
- PL
- CS
- HU
- RO
- LV
- LT
- ET
- HR
- SL
- SK
- BG
- UK
- TR

**RY36SHX40**





- Important!** It is essential that you read the instructions in this manual before assembling, maintaining and operating the product.
- Attention!** Il est essentiel que vous lisiez les instructions contenues dans ce manuel avant d'assembler, d'entretenir et d'utiliser le produit.
- Achtung!** Es ist wichtig, dass Sie vor Zusammenbau, Wartung und Benutzung des Produktes die Anweisungen in dieser Anleitung lesen.
- ¡Atención!** Resulta fundamental que lea este manual de instrucciones antes de realizar el montaje, el mantenimiento y de utilizar este producto
- Attenzione!** È importante leggere le istruzioni contenute nel presente manuale prima di montare il prodotto, svolgere le operazioni di manutenzione sullo stesso e metterlo in funzione.
- Let op!** Het is van essentieel belang dat u de instructies in deze gebruiksaanwijzing leest voor u het product monteert, onderhoudt en gebruikt.
- Atenção!** É fundamental que leia as instruções deste manual antes da montagem, manutenção e operação do aparelho.
- OBS!** Det er vigtigt, at man læser instrukserne i denne brugsanvisning, inden man samler, vedligeholder og betjener produktet.
- Observera!** Det är viktigt att du läser instruktionerna i manualen före montering, användning och underhåll av produkten.
- Huomio!** On tärkeää, että luet tämän käsikirjan ohjeet ennen tuotteen kokoamista, huoltoa ja käyttöä.
- Advarsel!** Det er viktig at du leser instruksjonene i denne manualen før sammensetning, vedlikehold og bruk av produktet
- Внимание!** Необходимо прочитать инструкции в данном руководстве перед сборкой, обслуживанием и эксплуатацией этого изделия.
- Uwaga!** Koniecznie należy przeczytać instrukcje zawarte w tym podręczniku przed montażem, obsługą oraz konserwacją produktu.
- Důležité upozornění!** Neinstalujte, neprovádějte údržbu ani nepoužívejte tento výrobek dříve, než si přečtete pokyny uvedené v tomto návodu.
- Figyelem!** Fontos, hogy a termék összeszerelése, karbantartása és használatá elött elolvassa a kézikönyvben található utasításokat.
- Atenție!** Este esențial să citiți instrucțiunile din acest manual înainte de asamblare, efectuarea întreținerii și operarea produsului.
- Uzmanību!** Ir svarīgi izlasīt šīs rokasgrāmatas instrukcijas pirms uzstādīšanas, apkopes un precas darbināšanas.
- Démesio!** Prieš surenkant, prižiūrint ir naudojant gaminį, būtina perskaityti šiam vadove pateiktus nurodymus.
- Tähtis!** Enne masina kokkupanekut, hooldamist ja kasutama hakkamist tuleb käesolevas juhendis esitatud juhised kindlasti läbi lugeda.
- Upozoreње!** Vrlo je važno da ste prije sklapanja, održavanja i rada s ovim proizvodom pročitali upute u ovom priručniku.
- Pomembno!** Pomembno je da pred montažo vzdrževanjem in uporabo tega izdelka preberete navodila v tem priročniku.
- Upozornenie!** Je dôležité, aby ste si pred montážou, údržbou a obsluhou produktu prečítali pokyny v tomto návode.
- Важно!** Исключительно важно е да прочетете инструкциите в настоящото ръководство, преди да преминете към сглобяване, поддръжка или работа с продукта.
- Важливо!** Дуже важливо, щоб ви прочитали інструкції в цьому керівництві перед складанням, обслуговуванням та експлуатацією цієї машини.
- Önemli!** Ürünü monte etmeden, kullanmadan ve bakımını yapmadan önce bu kılavzdaki talimatları okumanız önemlidir.

Subject to technical modification | Sous réserve de modifications techniques | Technische Änderungen vorbehalten | Bajo reserva de modificaciones técnicas | Con riserva di eventuali modifiche tecniche | Technische wijzigingen voorbehouden | Com reserva de modificações técnicas | Med forbehold for tekniske ændringer | Med förbehåll för tekniska ändringar | Tekniset muutokset varataan | Med forbehold om tekniske endringer | могут быть внесены технические изменения | Z zastrzeżeniem modyfikacji technicznych | Změny technických údajů vyhrazeny | A műszaki módosítás jogát fenntartjuk | Sub rezerva modificațiilor tehnice | Paturam tiesības mainīt tehniskos raksturlielumus | Pasilieikant teisę daryti techninius pakeitimus | Tehnised muudatused võimalikud | Podloženo tehničkim promjenama | Tehnične spremembe dopuščene | Právo na technické zmeny je vyhradené | Подлежи на технически модификации | Є об'єктом для технічних змін | Teknik değışiklięe tabidir.



Safety, performance, and dependability have been given top priority in the design of your cordless shredder.

## INTENDED USE

The cordless shredder is designed for reducing organic garden waste materials, such as branches, twigs, and foliage.

The product is intended for outdoor use in a stationary position by an operator standing on the ground.

The product is not intended for non-organic material, metal or material that exceeds its maximum cutting capacity.

The product must be mounted on the stand provided and must be used with the collection box provided. It must not be mounted in any other way than shown in this manual.

Do not use the product for any other purpose.

## GENERAL SAFETY WARNINGS

**⚠ WARNING!** The product is not intended for use by children or persons with reduced physical, mental, or sensory capabilities. Young children should be supervised at all times by someone other than the operator to ensure that they do not play near or with the product.

**⚠ WARNING!** When using the product, basic safety precautions should be followed to reduce the risk of fire, electric shock, and personal injury. Read all of these safety instructions carefully before operating the product. Be familiar with the controls and the correct use of the product. Keep these instructions safe for later use.

## TRAINING

- Become familiar with the instructions before attempting to operate the product.
- Never allow children or people who are unfamiliar with these instructions to use the product. Local regulations may restrict the age of the operator.
- The operator or user of the product is responsible for accidents or hazards occurring to other people or their property.

## PREPARATION

- Never operate the product while people, especially children, or pets are nearby.

- Do not use the product in bad weather conditions, especially when there is a risk of lightning. Wear ear protection and safety glasses at all times while operating the product.
- While operating the product, always wear substantial footwear and long trousers. Do not operate the product when barefoot or wearing open sandals. Avoid wearing loose-fitting clothing or clothes with hanging cords or ties.
- Operate the product in open space (e.g., not close to a wall or a fixed object) and on a firm, level surface only.
- Do not operate the product on a paved or gravel surface where ejected material could cause injury.
- Before starting the product, check that all screws, nuts, bolts, and other fasteners are properly secured and that the guards and collection box are in place. Bring the product to an authorised service centre to replace damaged parts or unreadable labels.

## BATTERY TOOL CARE AND USE

- Recharge only with the charger specified by the manufacturer. A charger that is suitable for one type of battery pack may create a risk when used with another battery pack.
- Use power tools only with specifically designated battery packs. Use of any other battery packs may create a risk of injury and fire.
- When battery pack is not in use, keep it away from other metal objects, like paper clips, coins, keys, nails, screws or other small metal objects, that can make a connection from one terminal to another. Shorting the battery terminals together may cause burns or a fire.
- Under abusive conditions, liquid may be ejected from the battery; avoid contact. If contact accidentally occurs, flush with water. If liquid contacts eyes, additionally seek medical help. Liquid ejected from the battery may cause irritation or burns.
- Do not use a battery pack or tool that is damaged or modified. Damaged or modified batteries may exhibit unpredictable behaviour resulting in fire, explosion or risk of injury.

- Do not use a battery pack or tool to fire or excessive temperature. Exposure to fire or temperature above 130°C may cause explosion.
- Follow all charging instructions and do not change the battery pack or tool outside the temperature range specified in the instructions. Charging improperly or at temperatures outside the specified range may damage the battery and increase the risk of fire.

## SERVICE

- Have your power tool serviced by a qualified repair person using only identical replacement parts. This will ensure that the safety of the power tool is maintained.
- Never service damaged battery packs. Service of battery packs should only be performed by the manufacturer or authorized service providers.

## CORDLESS SHREDDER SAFETY WARNINGS

- While setting up the product for use, make sure that the product is secured so that it does not tip over. If the product is turned off too quickly, remaining pieces of material may clog the blade assembly and stall the motor when the product is turned back on.
- Before starting the product, look into the feeding chamber to make sure that it is empty.
- Keep your face and body away from the feed intake opening.
- Do not allow hands or any other part of the body or clothing inside the feeding chamber, discharge chute, or near any moving part.
- Always be sure of your footing. Keep firm footing and balance at all times. Do not overreach. Never stand at a higher level than the base of the product when feeding material into it. Walk, never run.
- Always stand clear of the discharge zone when operating the product.
- When feeding material into the product, be extremely careful that pieces of metal, rocks, bottles, cans, or other foreign objects are not included.
- If the cutting mechanism strikes any foreign objects or if the product should start making any unusual noise or vibration, turn off the product and allow the cutters to completely stop. Remove the battery pack. Perform the following steps:
  - Inspect the product for damage.
  - Check and tighten any loose parts of the product.
  - Replace or repair any damaged parts.
- Do not allow processed material to build up in the discharge chute as this may prevent proper discharge or blockage and can result in kickback of material through the feed intake opening.
- If the product becomes clogged, turn off the product and allow the cutters to completely stop. Remove the battery pack before clearing debris.
- Never operate the product if the guards, covers, collection box, or other safety devices are defective, not in place, and not in good working order.
- Do not move or transport the product while the product is running.
- Turn off the product and remove the battery pack. Make sure that all moving parts have come to a complete stop:
  - before leaving the product unattended
  - before clearing a blockage
  - before checking, cleaning, or working on the product
- Do not tilt the product while it is running.
- Injuries may be caused, or aggravated, by prolonged use of the product. When using the product for prolonged periods, ensure to take regular breaks.
- Do not modify the product in any way or use parts and accessories that are not recommended by the manufacturer. This may increase the risk of serious injury to yourself or others.
- Always ensure that the ventilation openings are kept clear of debris. The motor may overheat resulting in possible damage to the product or increase the risk of fire.
- Turn off the product before attaching or removing the collection box.
- Immediately turn off the product and remove the battery pack in the event of accident or breakdown. Do not operate the product again until it has been fully checked by an authorised service centre.

## SHREDDING GUIDE

For best results when shredding, follow the guidelines shown in the table below.

MATERIAL	SHREDDING METHOD
Branches up to 40 mm in diameter.	Clip off all side growth with secateurs before feeding into the feeding hopper.
Bedding plants, weeds, and shrubby growth.	Knock soil and stones off the roots to avoid damage to the blades.
Freshly cut foliage, hedge, and kitchen waste (i.e., cabbage leaves, vegetable peelings, etc.)	With any material having a high moisture content, it is advised to feed in some drier sticks at regular intervals to help push the material through the cutting assembly and prevent it from clogging.
Dry sticks and twigs	By inserting these at the end of your shredding task, this will help to clean the moisture and plant sap from the inside of the product and the cutting assembly.

- Do not allow garden waste to accumulate before shredding as it will begin to compost, become too damp, and clog the cutting assembly. Dry material will help most material to clear the ejection chute. Save some dry sticks until last to help clean the blade area.
- Frequently monitor the build-up of shredded material.
- When the collection box is full, turn off the product before emptying.
- When feeding long woody branches or stems into the product, be careful of whip and vibrations as they get caught by the cutter. The operator must wear eye protection whenever using the product.

- The cutting device has a tendency to pull branches or stems into the product. Do not try to impede the entry of the material being cut once feeding has started. Always wear gloves to prevent skin lacerations when feeding material into the product
- In normal use, do not turn off the product until all of the shredded material has cleared the cutter assembly. If the product is turned off too quickly, remaining pieces of material may clog the blade assembly and stall the motor when the product is turned back on.

## TRANSPORTATION AND STORAGE

- Turn off the product, remove the battery pack, and allow both to cool before storing or transporting.
- Make sure that the product has been thoroughly cleaned before storing it in a clean, dry place and secured out of the reach of children.
- When transporting the product in a vehicle, secure it against movement or falling to prevent injury to persons or damage to the product.

## TRANSPORTING LITHIUM BATTERIES

Transport the battery in accordance with local and national provisions and regulations.

Follow all special requirements on packaging and labelling when transporting batteries by a third party. Ensure that no batteries can come in contact with other batteries or conductive materials while in transport by protecting exposed connectors with insulating, nonconductive caps or tape. Do not transport batteries that are cracked or leaking. Check with the forwarding company for further advice.

## ADDITIONAL BATTERY SAFETY WARNING

- To reduce the risk of fire, personal injury, and product damage due to a short circuit, never immerse the product, battery pack, or charger in fluid or allow fluid to flow inside them. Corrosive or conductive fluids, such as seawater, certain industrial chemicals, and bleach or bleach-containing products, etc., can cause a short circuit.
- Charge the battery pack in a location where the ambient temperature is between 10°C and 38°C.

- Store the battery pack in a location where the ambient temperature is between 0°C and 20°C.
- Use the battery pack in a location where the ambient temperature is between 0°C and 40°C.

## MAINTENANCE

- Use only original manufacturer's replacement parts, accessories, and attachments. Failure to do so can cause possible injury, can contribute to poor performance, and may void your warranty.
- Before cleaning, inspecting, or servicing the product, turn it off, allow the cutters to completely stop, and remove the battery pack. After some time of shredding, the cutting mechanism will become hot. Allow it to cool down before cleaning, inspecting, or adjusting.
- The cutter blades are extremely sharp. To avoid injury, exercise extreme caution and care when cleaning or working near the blades or inside the opened enclosure when the collection box is removed. Always wear heavy-duty protective gloves.
- Be aware that the cutting means can still be moved even when the power is off or if the interlock switch is engaged.
- To ensure the best performance of the product, it must be kept clean.
- Always clean the product immediately after use. Wherever possible, use a stiff brush inside the feed and discharge chutes and a dry cloth on the outside of the product.
- Do not allow material to become dry and hard on any of the product surfaces, but particularly on the blades. This directly affects the shredding performance.
- Make sure that the feed hopper and the ejection chute are kept clean and clear of all waste material.
- Make sure that all nuts, bolts, and screws (except the adjusting screw) are tight and secure.
- Always have any damaged or worn parts repaired or replaced by qualified personnel at an authorised service centre.
- Never attempt to bypass the interlock switches on the collection box or the front cover of the cutter assembly.
- Do not at any time let brake fluids, gasoline, petroleum-based products, penetrating oils,

etc., come in contact with plastic parts. Never use brake fluids, gasoline, petroleum-based products, or any solvents to clean the product. Most plastics are susceptible to damage from various types of commercial solvents and may be damaged by their use.

- You may perform maintenance tasks described in this manual. For other repairs, have the product serviced by an authorised service centre.

## ADJUSTING THE CRUSHING PLATE

- If the product fails to shred material, the crushing plate may need adjustment or the blades may need to be sharpened.
- Over time the crushing plate on the product need to be adjusted. This can be completed by adjusting the crushing plate so it will come into light contact with the blades. Ensure that the product is turned on and working in normal forward direction.
- Adjusting the crushing plate while the motor is turned off could lead to serious damage to the product.

**NOTE:** Adjusting the crushing plate should only be attempted when deemed totally necessary. Adjusting the crushing plate too often or too far could cause the product to stop working.

1. While the product is running, turn the adjusting knob clockwise.
2. When you hear metal on metal contact or you see fine aluminum shavings in the bottom of the collection container, stop the adjustment and allow the product to run for 30 seconds. Then turn the adjustment knob counterclockwise 0.5-1.0 turn until it is no longer in contact with the crushing plate, leaving a 1 mm gap.

**NOTE:** Complete any adjustment slowly to avoid damaging the product. Over adjusting the plate can cause serious damage to the product.

## ADJUSTING THE CRUSHING PLATE USING CALIBRATION MODE

**NOTE:** Make sure that the product is in the off state.

1. When the product is off, hold the calibration mode button and then press the start button. The blade will start to begin calibration.
2. Turn the crushing plate adjustment knob clockwise until the product turns off.

**NOTE:** Turn the knob counterclockwise at 0.5 – 1.0 turn until the crushing plate and the blades are no longer in contact.

3. Press the start button to refeed material into the product.

## KNOW YOUR PRODUCT

See page 185.

1. Battery slot
2. Reverse button
3. Calibration mode button
4. Stop button
5. Feeding chute
6. Start button
7. Battery door
8. Crushing plate adjustment knob
9. Metal frame release button
10. Metal frame
11. Latch
12. Axle
13. Material plunger
14. Wheel
15. Split pin
16. Washer
17. Hub cap
18. Operator's manual
19. Torx key
20. Collection bin
21. Battery pack
22. Charger

## SYMBOLS ON THE PRODUCT



Read and understand all instructions before operating the product. Follow all warnings and safety instructions.



Beware of thrown or flying objects. Keep all bystanders, especially children and pets, at least 15 m away from the operating area



Warning! Disconnect the battery pack before maintenance, adjusting, and cleaning.



Danger! Rotating blades. Keep hands and feet out of openings while the product is running.



Wear eye and ear protection.



Do not use as a step.



Wait until all product components have completely stopped before touching them.



Guaranteed sound power level



Wear non-slip, heavy-duty, protective gloves when handling.



When the product is off and the chute is clear, press the calibration button to begin blade calibration.



Press to turn on and press again to toggle speeds.



Hold down the button to run in reverse mode.



European Conformity Mark



British Conformity Mark



EurAsian Conformity Mark



Ukraine Conformity Mark



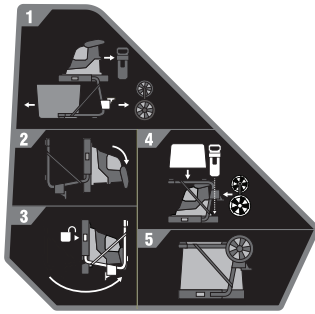
Calibration mode



Overloaded



Collection bin is not inserted



1. Remove the wheel axle, bin, and plunger.
2. Lay the product on the ground with the handles down.
3. Press the metal frame release button and fold up the legs until they lock into place.
4. Place the wheel axle, bin, and plunger into their storage locations.
5. Store the product in a cool, dry, and well-ventilated area.

Do not dispose of waste batteries, waste electrical and electronic equipment as unsorted municipal waste. Waste batteries and waste electrical and electronic equipment must be collected separately. Waste batteries, waste accumulators, and light sources have to be removed from the equipment. Check with your local authority or retailer for recycling advice and collection point. According to local regulations, retailers may have an obligation to take back waste batteries and waste electrical and electronic equipment free of charge. Your contribution to the reuse and recycling of waste batteries and waste electrical and electronic equipment helps to reduce the demand of raw materials. Waste batteries, in particular containing lithium, and waste electrical and electronic equipment contain valuable and recyclable materials, which can adversely impact the environment and the human health if not disposed of in an environmentally compatible manner. Delete personal data from waste equipment, if any.



## SYMBOLS IN THIS MANUAL



Parts or accessories sold separately



Note



Warning



Lock



Unlock



## TROUBLESHOOTING

PROBLEM	CAUSE	ACTION
Motor does not run.	Temperature overload	Allow the product to cool down for 15 minutes. This can occur when the ambient temperature is high, and the product has been used consistently without a break.
	Battery pack	Check if the battery pack is fully charged, has no signs of water ingress, and is not damaged. Test the battery in a different tool to ensure it is working correctly.
	Collection bin	Insert the collection bin based on the labels on the side of bin and ensure that it is fully inserted with the front lock engaged.
Material is not fed into the chute.	Blade cover plate	Ensure that all of the 4 bolts that secure the blade cover plate are fully tightened.
	The material is jammed in the feeding funnel.	Follow instruction in the manual for clearing obstructions.
	Crushing plate is too far from the cutting blade.	Follow instruction in the manual for crushing plate tensioning.

Lors de la conception du broyeur sans fil, l'accent a été mis sur la sécurité, les performances et la fiabilité.

## UTILISATION PRÉVUE

Le broyeur sans fil est conçu pour réduire les déchets de jardin organiques, tels que les branches, les brindilles et les feuilles.

Ce produit est prévu pour être utilisé en extérieur, en position stationnaire, par un opérateur se tenant au sol.

Le produit n'est pas conçu pour les matériaux non organiques, les métaux ou les matériaux qui dépassent sa capacité de coupe maximale.

Le produit doit être monté sur le pied fourni et utilisé avec le bac de collecte fourni. Il ne doit pas être monté d'une façon autre que celles montrées dans ce manuel.

Utilisez ce produit pour aucun autre travail.

## AVERTISSEMENTS GÉNÉRAUX DE SÉCURITÉ

**⚠ AVERTISSEMENT!** Ce produit ne doit pas être utilisé par des enfants ou par des personnes aux capacités physiques, sensorielles ou mentales diminuées. Les jeunes enfants doivent être surveillés en permanence par une autre personne que l'opérateur afin de s'assurer qu'ils ne jouent pas avec le produit ou dans son voisinage.

**⚠ AVERTISSEMENT!** Lors de l'utilisation du produit, il convient de respecter certaines précautions de sécurité de base afin de réduire les risques d'incendie, de décharge électrique et de blessure. Lisez attentivement toutes ces instructions de sécurité avant d'utiliser le produit. Familiarisez-vous avec les commandes du produit ainsi qu'avec son utilisation correcte. Veuillez conserver ce manuel pour vous-y reporter dans le futur.

## ENTRAÎNEMENT

- Avant d'utiliser le produit, familiarisez-vous avec les instructions.
- Ne laissez jamais les enfants ou les personnes non familiarisées avec ces instructions utiliser le produit. Les lois locales peuvent imposer un âge minimum à l'opérateur.
- En cas d'accident ou d'exposition de tiers ou de leurs biens à des risques, l'opérateur ou l'utilisateur du produit est responsable.

## PRÉPARATION

- N'utilisez jamais la machine si des personnes, en particulier des enfants, ou des animaux familiers se trouvent à proximité.
- N'utilisez pas le produit par mauvais temps, tout particulièrement en cas de risque de foudre. Portez une protection oculaire et des lunettes de sécurité en tout temps lorsque vous utilisez le produit.
- Lorsque vous utilisez le produit, portez toujours des chaussures adéquates ainsi que des pantalons longs. N'utilisez pas la machine pieds nus ou avec des sandales ouvertes. Evitez de porter des vêtements amples ou qui possèdent des cordons ou attaches qui pendent.
- Utiliser le produit uniquement dans un espace ouvert (par exemple : loin d'un mur ou d'un objet fixe), sur une surface ferme et de niveau.
- N'utilisez pas la machine sur une surface pavée ou gravillonnée, la projection de ces matériaux pouvant causer des blessures.
- Avant de mettre le produit en marche, vérifiez le bon serrage de tous les écrous, vis, boulons et autres attaches et vérifiez que toutes les protections sont en place, ainsi que le bac de collecte. Apportez le produit à un service après-vente agréé pour remplacer les pièces abîmées ou les étiquettes illisibles.

## UTILISATION ET ENTRETIEN DE L'OUTIL À BATTERIE

- Ne chargez les blocs de batteries que dans des chargeurs recommandés par le fabricant. Un chargeur adapté à un type de batterie peut créer un risque lorsqu'il est utilisé avec une autre batterie.
- Dans les outils électriques, n'utilisez que les blocs de batteries spécialement prévus pour ceux-ci. L'utilisation de tout autre bloc de batterie peut entraîner des blessures et des risques d'incendie.
- Lorsqu'un bloc de batterie n'est pas utilisé, le maintenir à l'écart de tout autre objet métallique, par exemple trombones, pièces de monnaie, clés, clous, vis ou autres objets de petite taille qui peuvent donner lieu à une connexion d'une borne à une autre. Un court-circuit entre les contacts de batterie peut provoquer des brûlures ou un incendie.

- En cas d'utilisation abusive, du liquide peut sortir du bloc de batterie. Évitez tout contact avec ce liquide. En cas de contact accidentel, rincez soigneusement avec de l'eau. Si du liquide entre en contact avec les yeux, consultez immédiatement un médecin. Le liquide qui sort du bloc de batterie peut entraîner des irritations de la peau ou causer des brûlures.
- Ne pas utiliser un outil ou un pack de batterie endommagé ou modifié. Des batteries endommagées ou modifiées peuvent présenter un comportement imprévisible pouvant causer un incendie, une explosion ou un risque de blessure.
- N'exposez pas un outil ou un bloc-sbatterie au feu ou à des températures excessives. L'exposition au feu ou à des températures supérieures à 130 °C peut provoquer une explosion.
- Veuillez suivre toutes les instructions de chargement et ne pas charger l'outil ou la batterie en dehors de la plage de température spécifiée dans les instructions. Un chargement incorrect ou à des températures en dehors de la plage spécifiée peut endommager la batterie et augmenter le risque d'incendie.

## TRAVAUX D'ENTRETIEN

- Ne faire réparer l'outil électroportatif que par un personnel qualifié et seulement avec des pièces de rechange d'origine. Ceci permet d'assurer la sécurité de l'appareil.
- Ne jamais procéder à l'entretien des packs de batterie endommagés. L'entretien des packs de batterie ne peut être effectué que par le fabricant ou des prestataires agréés.

## AVERTISSEMENTS DE SÉCURITÉ CONCERNANT LE BROEUR SANS FIL

- Lors de la préparation du produit à des fins d'utilisation, assurez-vous que le produit est sécurisé et qu'il ne risque pas de basculer. Un arrêt trop rapide du produit pourrait entraîner le blocage des résidus de matériau dans la lame et provoquer le calage du moteur lors de la remise sous tension du produit.
  - Avant de démarrer le produit, examinez le compartiment d'alimentation pour vous assurer qu'il soit vide.
  - Gardez votre visage et votre corps éloignés de l'ouverture d'alimentation.
  - N'approchez pas vos mains ou toute partie de votre corps ni vos vêtements de la chambre d'alimentation, de la sortie d'éjection, ou de tout élément en mouvement.
- Gardez toujours un bon appui sur vos jambes. Assurez-vous de toujours rester en position stable et de ne pas perdre l'équilibre. Ne pas se précipiter. Ne vous tenez jamais à un niveau plus élevé que la base du produit lorsque vous ajoutez des matériaux. Marchez, ne courez jamais.
  - Toujours se tenir éloigné de la zone de déchargement lors de l'utilisation du produit.
  - Lorsque vous ajoutez des matériaux dans le produit, faites très attention qu'ils ne contiennent pas de pièces en métal, cailloux, bouteilles, canettes ou autres objets étrangers.
  - Dans le cas où le mécanisme de coupe heurterait des objets étrangers ou si le produit venait à émettre des sons ou des vibrations inhabituel(le)s, mettre le produit hors tension et attendre l'immobilisation totale des couteaux. Retirez le pack batterie. Effectuez les étapes suivantes :
    - Inspectez minutieusement le produit afin de vérifier qu'il n'est pas endommagé.
    - Vérifiez et resserrez toutes les pièces lâches du produit.
    - remplacez ou réparez toute pièce endommagée
  - Ne laissez pas les matières broyées s'accumuler au niveau de la goulotte d'éjection, la bonne éjection des matières pourrait s'en trouver affectée et un retour des matières pourrait se produire par l'ouverture d'alimentation.
  - Si le produit est obstrué, le mettre hors tension et attendre que les couteaux soient complètement immobilisés. Retirez la batterie avant d'enlever les débris.
  - Ne faites jamais fonctionner le produit si les protections, les caches, le bac de collecte ou autres dispositifs de sécurité sont défectueux, ne sont pas en place, ou ne sont pas en bon état de fonctionnement.
  - Abstenez-vous de déplacer et de transporter le produit lorsqu'il est en marche.
  - Éteindre l'appareil et retirer le bloc batterie. Assurez-vous que tous les éléments en mouvement se sont bien arrêtés:
    - avant de laisser le produit sans surveillance
    - avant de retirer une obstruction
    - avant de travailler sur le produit, de le vérifier ou de le nettoyer

- N'inclinez pas le produit quand il est en marche.
- L'utilisation prolongée d'un outil est susceptible de provoquer ou d'aggraver des blessures. Lorsque vous utilisez le produit pendant de longues périodes, assurez-vous de faire des pauses régulières.
- Ne modifiez la machine d'aucune façon et n'utilisez pas de pièces ou accessoires non recommandés par le fabricant. Cela peut augmenter le risque de blessures graves pour vous-même ou pour les autres.
- Assurez-vous toujours que les fentes d'aération ne sont pas obstruées par des débris. Le moteur peut surchauffer et potentiellement endommager le produit ou augmenter le risque d'incendie.
- Arrêtez le produit avant de mettre en place ou de retirer le bac de collecte.
- En cas d'accident ou de panne, mettez immédiatement hors tension le bloc de batterie et déposez-le. N'utilisez plus le produit jusqu'à ce qu'il ait été entièrement vérifié par un service après-vente agréé.

## GUIDE DE BROYAGE

Pour de meilleurs résultats de broyage, suivez les lignes directrices du tableau ci-dessous.

### MATIÈRE

### MÉTHODE DE BROYAGE

Branches jusqu'à 40 mm de diamètre.

Taillez toutes les pousses latérales à l'aide d'un sécateur avant de les introduire dans la trémie d'alimentation.

Plants, mauvaises herbes et jeunes arbustes

Tapez les racines pour les débarrasser de la terre et des pierres, afin d'éviter d'endommager les lames.

Feuillages et haies récemment coupés, et déchets de cuisine (par ex. feuilles de chou, épiluchures, etc.)

Avec les matières ayant un fort taux d'humidité, il est conseillé d'introduire des bâtons secs à intervalles réguliers pour aider la progression des matières et empêcher tout bourrage.

### Bâtons et brindilles secs

En les introduisant à la fin de votre session de broyage, vous aiderez à éliminer l'humidité et l'accumulation de sève à l'intérieur du broyeur et sur les éléments de coupe.

- Ne laissez pas les déchets du jardin s'accumuler avant de les broyer car ils pourraient se décomposer, devenir trop humides et boucher le système de coupe. Des matières sèches aideront à dégager la goulotte d'éjection. Gardez quelques bâtons secs pour aider à nettoyer le système de coupe en fin de travail.
- Contrôlez fréquemment l'accumulation de matériaux broyés.
- Lorsque le bac de collecte est plein, arrêtez le produit avant de le vider.
- Lorsque vous introduisez de longues branches/tiges dans le produit, prenez garde aux vibrations et effets de fouet au moment où elles sont prises dans le système de coupe. L'opérateur doit porter une protection oculaire à chaque utilisation du produit.
- Le système de coupe a tendance à tirer les branches/tiges vers le produit. Ne tentez pas d'empêcher la pénétration des matières une fois que leur introduction a commencé. Portez toujours des gants afin d'éviter de vous écorcher les mains lorsque vous introduisez les matières dans le produit.
- Dans le cadre d'une utilisation normale, ne pas mettre le produit hors tension tant que l'ensemble du matériau déchiqueté n'a pas quitté la goulotte. Un arrêt trop rapide du produit pourrait entraîner le blocage des résidus de matériau dans la lame et provoquer le calage du moteur lors de la remise sous tension du produit.

## TRANSPORT ET STOCKAGE

- Mettre l'appareil hors tension, retirer la batterie et les laisser refroidir avant le rangement ou le transport.
- Assurez-vous que le produit a été soigneusement nettoyé avant de le ranger dans un endroit sec et propre, hors de portée des enfants.
- Pour le transport, attachez le produit pour l'empêcher de bouger ou de tomber, afin d'éviter toute blessure et tout dommage matériel.

## TRANSPORT DES BATTERIES AU LITHIUM

Transportez les batteries en conformité avec les dispositions et règlements locaux et nationaux.

Respectez toutes les exigences légales particulières concernant l'emballage et l'étiquetage des batteries lorsque vous confiez leur transport à un tiers. Assurez-vous qu'aucune batterie ne puisse entrer en contact avec une autre batterie ou avec des matériaux conducteurs lors de son transport en isolant les bornes électriques avec du ruban adhésif ou des capuchons isolants non conducteurs. Ne transportez pas une batterie qui serait fendue ou qui fuirait. Demandez conseil au transporteur pour de plus amples informations.

### MISES EN GARDE DE SÉCURITÉ SUPPLÉMENTAIRES CONCERNANT LA BATTERIE

- Pour réduire le risque d'incendie, de blessures corporelles et de dommages causés par un court-circuit, n'immergez jamais le produit, la batterie ou le chargeur dans un liquide et ne laissez jamais de liquide pénétrer dans aucun d'entre eux. Les fluides corrosifs ou conducteurs, tels que l'eau de mer, certains produits chimiques industriels, les produits de blanchiment ou contenant des agents de blanchiment etc. peuvent provoquer un court-circuit
- Rechargez le bloc de batterie à un endroit où la température ambiante est comprise entre 10 et 38 °C.
- Remisez le bloc de batterie à un endroit où la température ambiante est comprise entre 0 et 20 °C
- Utilisez le bloc-batterie à un endroit où la température ambiante est comprise entre 0 et 40 °C.

### ENTRETIEN

- N'utilisez que des pièces détachées et des accessoires d'origine constructeur. Le non respect de cette précaution peut entraîner de mauvaises performances, des blessures, et annuler votre garantie.
- Avant de procéder au nettoyage, à l'inspection ou à l'entretien du produit, mettez-le hors tension, attendez l'immobilisation totale des lames et retirez la batterie. Le mécanisme de coupe devient très chaud après un certain temps de fonctionnement. Laissez-le refroidir avant de le nettoyer, de l'inspecter ou de le régler.

- Les lames de coupe sont extrêmement coupantes. Pour éviter toute blessure, soyez extrêmement prudent lorsque vous nettoyez ou travaillez à proximité des lames ou à l'intérieur de la machine ouverte lorsque le bac de collecte a été retiré. Portez toujours des gants de protection épais.
- Soyez conscient du fait que les éléments de coupe peuvent encore être mis en mouvement même si l'alimentation est coupée ou si l'interrupteur de verrouillage est enclenché.
- Pour assurer les meilleures performances au produit, il doit être gardé propre.
- Nettoyez toujours le produit immédiatement après utilisation. Chaque fois que possible, utilisez une brosse dure pour nettoyer les conduits d'introduction et de récupération et un chiffon sec pour l'extérieur du broyeur.
- Ne pas laisser le matériau sécher et durcir sur aucune surface des produits, tout particulièrement sur les lames. Ceci affecterait directement les performances de broyage.
- Assurez-vous que la trémie d'alimentation ainsi que la goulotte d'éjection restent propres et exemptes de déchets.
- Assurez-vous que tous les écrous, boulons et vis (à l'exception de la vis de réglage) soit bien serrés et bien fixes.
- Faites toujours réparer ou remplacer les éléments usés ou endommagés par du personnel qualifié auprès d'un service après-vente agréé.
- Ne tentez jamais de contourner la protection fournie par les interrupteurs de verrouillage du bac de ramassage ou du carter frontal du dispositif de coupe.
- Ne laissez jamais du liquide de frein, de l'essence, des produits pétroliers, des huiles pénétrantes, etc. entrer en contact avec les éléments en plastique. N'utilisez jamais de liquides de frein, d'essence, de produits à base de pétrole ou de solvants pour nettoyer le produit. La plupart des plastiques sont susceptibles d'être endommagés par un grand nombre de solvants du commerce.
- N'effectuez que les tâches décrites dans ce manuel. Pour les autres réparations, adressez-vous à un centre d'entretien agréé.

## RÉGLAGE DE LA PLAQUE DE BROYAGE

- Si le produit ne brise pas le matériau, la plaque de broyage peut nécessiter un ajustement ou les lames peuvent avoir besoin d'être affûtées.
- Au fil du temps, la plaque de broyage du produit doivent être réglées. Ceci peut être effectué en réglant la plaque de broyage de façon à ce qu'elle entre en contact avec les lames. Vérifier que le produit est sous tension et qu'il fonctionne en marche avant normale.
- Le réglage de la plaque de broyage otage alors que le moteur est hors tension pourrait endommager sérieusement le produit.

**REMARQUE:** Le réglage de la plaque de broyage ne doit être effectué que si cela est jugé tout à fait nécessaire. Un réglage trop fréquent de la plaque de broyage ou un réglage trop éloigné pourrait de celle-ci provoquer l'arrêt du fonctionnement du produit.

1. Tournez la molette de réglage dans le sens horaire pendant le fonctionnement du produit.
2. Lorsque vous entendez un bruit de métal ou un contact avec le métal ou si vous voyez des petits copeaux d'aluminium sortir du bas du bac de collecte, arrêtez le réglage et laissez le produit fonctionner pendant 30 secondes. Tourner alors le bouton de réglage dans le sens anti-horaire jusqu'à ce qu'il ne soit plus en contact avec la plaque de broyage, laissant ainsi un écart de 1 mm.

**REMARQUE:** Terminez tout réglage lentement pour éviter d'endommager le produit. Vous pourriez gravement endommager le produit en procédant à un réglage trop important du contre-plateau.

## RÉGLAGE DE LA PLAQUE DE BROYAGE EN MODE ÉTALONNAGE

**REMARQUE:** S'assurer que le produit est bien éteint.

1. Lorsque le produit est éteint, appuyez longuement sur le bouton du mode étalonnage, puis appuyez sur le bouton de démarrage. La lame commencera à procéder à l'étalonnage.

2. Tourner le bouton de réglage de la plaque de broyage dans le sens horaire jusqu'à ce que le produit s'éteigne.

**REMARQUE:** Tourner le bouton dans le sens antihoraire d'un demi à un tour complet jusqu'à ce que la plaque de broyage et les lames ne soient plus en contact.

3. Appuyer sur le bouton de démarrage pour remettre du matériau dans le produit.

## APPRENEZ À CONNAÎTRE VOTRE PRODUIT

Voir page 185.

1. Logement de batterie
2. Bouton marche arrière
3. Bouton du mode étalonnage
4. Bouton d'arrêt
5. Goulotte d'éjection
6. Bouton de démarrage
7. Trappe de la batterie
8. Bouton de réglage de la plaque de broyage
9. Bouton de déverrouillage du cadre métallique
10. Cadre métallique
11. Loquet
12. Essieu
13. Poussoir
14. Roue
15. Broche fendue
16. Rondelle
17. Enjoliveur
18. Manuel utilisateur
19. Clé Torx
20. Bac de collecte
21. Bloc de batterie
22. Chargeur

## SYMBOLES APPLIQUÉS SUR LE PRODUIT



Lisez et comprenez toutes les instructions avant d'utiliser le produit. Respectez l'ensemble des avertissements et consignes de sécurité.



Prenez garde à la projection d'objets au sol et dans les airs. Gardez tous les passants, en particulier les enfants et les animaux, éloignés d'au moins 15 m de la zone de travail.



Avertissement! Débranchez la batterie avant de procéder à l'entretien, au réglage et au nettoyage.



Danger! Lames rotatives. Éloignez les mains et les pieds des ouvertures du produit en fonctionnement.



Portez une protection oculaire et auditive.



Ne pas utiliser comme marchepied.



Patientez jusqu'à ce que les composants du produit se soient complètement arrêtés avant de les toucher.



Niveau de puissance sonore garanti



Portez des gants de protection solides et antidérapants.



Lorsque le produit est éteint et que la goulotte est dégagée, appuyez sur le bouton Étalonnage pour commencer l'étalonnage de la lame.



Appuyez pour allumer et appuyez à nouveau pour changer de vitesse.



Maintenez le bouton enfoncé pour faire fonctionner le produit en mode inverse.



Marque de conformité européenne



Marque de conformité britannique



Marque de conformité d'Eurasie



Marque de conformité ukrainienne



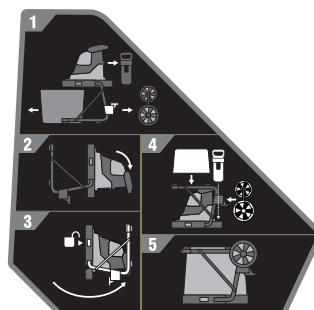
Mode étalonnage



Surcharge



Le bac de collecte n'est pas inséré



1. Retirez l'essieu de la roue, le bac et le piston.
2. Placez le produit sur le sol avec les poignées vers le bas.
3. Appuyez sur le bouton de déverrouillage du cadre en métal et repliez les pieds jusqu'à ce qu'ils se verrouillent en place.
4. Placez l'essieu de la roue, le bac et le piston dans leurs emplacements de rangement.
5. Rangez le produit dans un endroit frais, sec et bien ventilé.

Ne jetez pas les batteries et les équipements électriques et électroniques usagés parmi les déchets municipaux non triés. Les batteries et les équipements électriques et électroniques usagés doivent être collectés séparément. Les batteries, accumulateurs et sources lumineuses usagés doivent être retirés de l'équipement. Pour obtenir des conseils en matière de recyclage et de points de collecte, se renseigner auprès des autorités locales ou du détaillant. Selon les réglementations locales, les détaillants peuvent avoir l'obligation de récupérer gratuitement les batteries et les équipements électriques et électroniques usagés. Votre contribution à la réutilisation et au recyclage des batteries et équipements électriques et électroniques usagés permet de réduire la demande en matières premières. Les batteries, notamment celles qui contiennent du lithium, ainsi que les équipements électriques et électroniques usagés comportent des matériaux précieux et recyclables, qui peuvent avoir un impact négatif sur l'environnement et la santé humaine s'ils ne sont pas éliminés de manière respectueuse de l'environnement. Supprimer les données personnelles de l'équipement usagé, le cas échéant.



## SYMBOLES DE CE MANUEL



Pièces détachées et accessoires vendus séparément



Remarque



Avertissement



Verrouillage



Déverrouillage



## GUIDE DE DÉPANNAGE

PROBLÈME	CAUSE	ACTION
Le moteur ne fonctionne pas.	Surcharge thermique	Laissez le produit refroidir pendant 15 minutes. Cela peut se produire lorsque la température ambiante est élevée et que le produit a été utilisé de manière constante sans interruption.
	Bloc de batterie	Vérifiez que la batterie est complètement chargée, qu'il n'y a aucun signe d'infiltration d'eau et qu'elle n'est pas endommagée. Testez la batterie dans un outil différent pour vous assurer qu'elle fonctionne correctement.
	Bac de collecte	Insérez le bac de collecte en vous référant aux étiquettes situées sur le côté du bac et assurez-vous qu'il est bien inséré avec le verrou avant engagé.
Le matériau n'est pas inséré dans la goulotte.	Plaque du protège-lame	Assurez-vous que les 4 boulons fixant la plaque du protège-lame sont bien serrés.
	Le matériau est bloqué dans la goulotte d'approvisionnement.	Suivez les instructions présentes dans ce manuel pour dégager le bourrage.
	La plaque de broyage est trop éloignée de la lame de coupe.	Suivez les instructions du manuel pour régler la tension de la plaque de broyage.

Sicherheit, Leistung und Zuverlässigkeit hatten oberste Priorität bei der Entwicklung Ihres Akku-Häckslers.

## BESTIMMUNGSGEMÄSSE VERWENDUNG

Der Akku-Häcksler wurde entwickelt, um organische Gartenabfälle wie Zweige, Äste und Laubwerk zu zerkleinern.

Das Gerät ist für den Gebrauch im Freien in Standstellung durch einen Nutzer, der auf dem Boden steht, vorgesehen.

Das Produkt ist nicht für nicht-organisches Material, Metall oder Material, das seine maximale Schneidkapazität überschreitet, geeignet.

Das Produkt muss auf dem mitgelieferten Ständer befestigt werden und mit dem mitgelieferten Sammelbehälter benutzt werden. Es darf nicht auf andere Weise als in dieser Bedienungsanleitung gezeigt montiert werden.

Das Produkt darf zu keinen anderen Zwecken verwendet werden.

## ALLGEMEINE SICHERHEITSWARNUNGEN

**⚠️ WARNUNG!** Dieses Produkt ist nicht für Kinder oder Personen mit verminderten physischen, geistigen oder sensorischen Fähigkeiten geeignet. Kleine Kinder sollten immer von einer Person die nicht der Benutzer ist beaufsichtigt sein, um sicherzustellen, dass sie nicht in der Nähe oder mit dem Produkt spielen..

**⚠️ WARNUNG!** Bei der Verwendung des Produktes sollten immer einige grundlegenden Sicherheitsvorkehrungen getroffen werden, um die Gefahr von Feuer, Stromschlag und Verletzungen zu verringern. Lesen Sie diese Sicherheitshinweise aufmerksam durch, bevor Sie das Produkt in Betrieb nehmen. Machen Sie sich mit den Bedienelementen und dem ordnungsgemäßen Gebrauch des Produktes vertraut. Bitte bewahren Sie die Anweisungen zum späteren Nachschlagen auf.

## UNTERWEISUNG

- Machen Sie sich mit der Bedienungsanleitung vertraut, ehe Sie versuchen, das Gerät zu verwenden.
- Erlauben Sie niemals Kindern oder Personen, die mit diesen Anweisungen nicht vertraut sind, das Produkt zu benutzen. Die lokale Gesetzgebung regelt das Mindestalter des Benutzers.

- Der Betreiber oder Nutzer des Produkts trägt die Verantwortung für alle Unfälle oder Schäden, die andere Personen oder deren Eigentum betreffen.

## VORBEREITUNG

- Benutzen Sie nicht das Werkzeug, wenn andere Personen, insbesondere Kinder, in der Nähe sind.
- Nutzen Sie das Gerät nicht bei schlechtem Wetter, vor allem nicht bei Gewittergefahr. Tragen Sie beim Bedienen des Geräts jederzeit Gehörschutz und Schutzbrille.
- Tragen Sie beim Betrieb des Produktes immer festes Schuhwerk und lange Hosen. Arbeiten Sie mit der Maschine niemals Barfuß oder mit offenen Sandalen. Vermeiden Sie lockere Kleidung oder Kleidung mit Schnüren oder Bändern zu tragen.
- Betreiben Sie das Produkt nur in einem offenen Umfeld (d.h. nicht in der Nähe von Wänden oder festen Gegenständen) und auf festem, ebenem Untergrund.
- Betreiben Sie diese Maschine nicht auf gepflastertem Untergrund oder Schotter, wo ausgeworfenes Material zu Verletzungen führen könnte.
- Überprüfen Sie vor dem Starten des Produktes, dass alle Schrauben, Muttern, Bolzen und andere Verschlüsse ordnungsgemäß gesichert sind und Schutzvorrichtungen und Sammelbehälter montiert sind. Bringen Sie das Produkt zu einem autorisierten Servicecenter, um beschädigte Teile oder unlesbare Etiketten zu ersetzen.

## GEBRAUCH UND PFLEGE DES AKKU-WERKZEUGS

- Laden Sie die Akkus nur in Ladegeräten auf, die vom Hersteller empfohlen werden. Ein Ladegerät, das für einen Akkupack geeignet ist, kann bei Verwendung mit einem anderen Akkupack ein Risiko darstellen.
- Verwenden Sie nur die dafür vorgesehenen Akkupacks in den Elektrowerkzeugen. Der Gebrauch von anderen Akkupacks kann zu Verletzungen und Brandgefahr führen.
- Halten Sie den nicht benutzten Akkupack fern von Büroklammern, Münzen, Schlüsseln, Nägeln, Schrauben oder anderen kleinen Metallgegenständen, die eine Überbrückung der Kontakte verursachen könnten. Ein Kurzschluss zwischen den Akkukontakten kann Verbrennungen oder Feuer zur Folge haben.

- Bei falscher Anwendung kann Flüssigkeit aus dem Akku austreten; vermeiden Sie den Kontakt damit. Bei zufälligem Kontakt mit Wasser abspülen. Suchen Sie außerdem medizinische Hilfe auf, falls die Flüssigkeit in die Augen gerät. Austretende Akkuflüssigkeit kann zu Hautreizungen oder Verbrennungen führen.
- Verwenden Sie keinen beschädigten oder modifizierten Akkupack oder Werkzeuge. Beschädigte oder modifizierte Akkus können zu unvorhersehbaren Reaktionen führen, was zu Feuer, Explosion oder Verletzungsgefahr führt.
- Setzen Sie Akkupacks oder Werkzeuge nicht Feuer oder zu hohen Temperaturen aus. Feuereinwirkung oder Temperaturen über 130° C können zu einer Explosion führen.
- Befolgen Sie alle Ladeanweisungen und laden Sie den Akkupack oder das Werkzeug nicht außerhalb des in der Anleitung angegebenen Temperaturbereichs. Bei unsachgemäßer Aufladung oder Aufladung bei Temperaturen außerhalb des angegebenen Bereichs kann der Akku beschädigt und das Brandrisiko erhöht werden.

## SERVICE

- Lassen Sie Ihr Elektrowerkzeug nur von qualifiziertem Fachpersonal und nur mit Original-Ersatzteilen reparieren. Damit wird sichergestellt, dass die Sicherheit des Elektrowerkzeugs erhalten bleibt.
- Warten Sie niemals beschädigte Akkupacks. Sämtliche Wartung von Akkupacks sollte nur durch den Hersteller oder bevollmächtigte Kundendienststellen erfolgen.

## SICHERHEITSWARNUNGEN ZUM AKKU-HÄCKSLER

- Während Sie das Produkt für die Verwendung vorbereiten, achten Sie darauf, dass es so gesichert ist, dass es nicht umfallen kann. Wird das Produkt vorzeitig ausgeschaltet, können verbleibende Teile des Materials das Schneidwerk blockieren und den Motor beim erneuten Einschalten zum Stillstand bringen.
- Schauen Sie vor dem Einschalten des Geräts in die Einfüllkammer, um sicherzustellen, dass diese leer ist.
- Halten Sie Ihr Gesicht und Körper fern von der Zuführöffnung.
- Halten Sie nicht Ihre Hände oder andere Körperteile oder Kleidung in die Zuführkammer, den Auswurfschacht oder in die Nähe anderer sich bewegender Teile.
- Achten Sie immer auf sicheren Stand. Sorgen Sie für einen sicheren Stand und halten Sie jederzeit das Gleichgewicht. Vermeiden Sie eine abnormale Körperhaltung. Stellen Sie sich beim Einfüllen von Material in das Gerät niemals auf eine höhere Ebene als die Basis des Geräts. Gehen Sie stets im Schrittempo; laufen Sie niemals.
- Halten Sie sich beim Betrieb des Produkts stets abseits des Auswurfbereichs auf.
- Achten Sie beim Einfüllen von Material in das Gerät besonders darauf, dass keine Metallstücke, Steine, Flaschen, Dosen oder sonstige Fremdkörper eingefüllt werden.
- Wenn die Schneidevorrichtung fremde Gegenstände erfasst oder das Produkt anfängt, ungewöhnliche Geräusche oder Vibrationen zu produzieren, schalten Sie das Produkt aus und lassen Sie die Klingen vollständig zum Stillstand kommen. Entnehmen Sie den Akkupack. Führen Sie die folgenden Schritte aus:
  - Untersuchen Sie das Produkt gründlich auf Beschädigungen.
  - Prüfen Sie alle losen Teile des Geräts und ziehen Sie sie fest.
  - ersetzen oder reparieren von beschädigten Teilen
- Lassen Sie verarbeitetes Material sich nicht in dem Auswurftrichter ansammeln; das kann den ordentlichen Auswurf behindern oder blockieren und zum Rückschlag von Material durch die Zuführöffnung führen.
- Wenn das Produkt verstopft, schalten Sie es aus und lassen Sie die Klingen vollständig zum Stillstand kommen. Entfernen Sie den Akkupack, bevor Sie die Verschmutzung beseitigen.
- Benutzen Sie das Produkt niemals, wenn die Schutzvorrichtungen, Abdeckungen, der Sammelbehälter oder andere Sicherheitsvorrichtungen defekt, nicht montiert und in schlechtem Zustand sind.
- Bewegen oder transportieren Sie das Gerät nicht, während es in Betrieb ist.
- Schalten Sie das Gerät aus und entfernen Sie den Akkupack. Stellen Sie sicher, dass alle bewegliche Teile vollständig angehalten sind:
  - bevor Sie das Produkt unbeaufsichtigt zurücklassen
  - bevor Sie eine Blockierung entfernen
  - bevor Sie das Produkt prüfen, reinigen oder daran arbeiten

EN

FR

DE

ES

IT

NL

PT

DA

SV

FI

NO

RU

PL

CS

HU

RO

LV

LT

ET

HR

SL

SK

BG

UK

TR

- Kippen Sie das Gerät nicht, während es in Betrieb ist.
- Verletzungen können durch lange Benutzung eines Produkts entstehen oder verschlimmert werden. Wenn Sie das Gerät über einen längeren Zeitraum nutzen, stellen Sie regelmäßige Pausen sicher.
- Verändern Sie das Produkt nicht in irgendeiner Weise oder verwenden Teile oder Zubehör die nicht vom Hersteller empfohlen sind. Dies kann die Gefahr von schweren Verletzungen bei Ihnen oder anderen erhöhen.
- Stellen Sie immer sicher, dass die Belüftungsöffnungen frei von Schmutz sind. Der Motor kann überhitzen, was zu einer Beschädigung des Geräts führen oder die Brandgefahr erhöhen kann.
- Schalten Sie das Produkt aus, bevor Sie den Sammelbehälter befestigen oder entfernen.
- Schalten Sie das Gerät bei Unfällen oder Ausfällen sofort aus und entfernen Sie den Akkupack. Das Produkt darf nicht wieder in Betrieb genommen werden, bis es vollständig von einem autorisierten Kundendienst überprüft wurde.

## HÄCKSELFÜHRUNG

Für beste Ergebnisse beim Häckseln, befolgen Sie die Richtlinien in der Tabelle unten.

MATERIAL	HÄCKSELMETHODE
Äste bis zu 40 mm Durchmesser.	Schneiden Sie alle Seitentriebe mit einer Gartenschere ab, bevor Sie den Trichter befüllen.
Beetpflanzen, Unkraut und Gebüsch	Klopfen sie Erde und Steine von den Wurzeln, um Schäden der Klingen zu vermeiden.

Frisch geschnittene Pflanzen, hecken und Küchenabfälle (d.h. Kohlblätter, Gemüseschalen usw.)

Bei jedem Material mit hohem Feuchtigkeitsgehalt wird es empfohlen regelmäßig einige trockenere Stöcke zuzuführen, um zu helfen das Material durch die Schneideinheit zu drücken und eine Verstopfung zu verhindern.

Trockene Äste oder Zweige

Wenn Sie diese am Ende Ihrer Häckselarbeit hineinschieben, hilft das den Innenbereich und die Schneidvorrichtung des Produktes von Feuchtigkeit und Pflanzensaft zu reinigen.

- Lassen Sie Gartenabfälle sich nicht vor dem Häckseln ansammeln, weil sie anfangen werden zu kompostieren, zu feucht werden und das Schneideinheit verstopfen werden. Trockenes Material wird helfen das meiste Material aus den Auswurftrichter zu entfernen. Heben Sie einige trockene Äste bis zum Schluss auf, um den Bereich der Klingen zu reinigen.
- Überwachen Sie das Ansammeln von geschreddertem Material.
- Wenn der Sammelbehälter voll ist, muss das Produkt vor dem Leeren ausgeschaltet sein.
- Wenn Sie lange holzige Äste/Stämme in das Produkt zuführen, achten Sie auf Peitschenschläge und Vibrationen, während sie von dem Häcksel eingezogen werden. Der Benutzer muss einen Augenschutz tragen, wenn er das Produkt benutzt.
- Das Schneidwerkzeug neigt dazu Äste/Stämme in das Produkt zu ziehen. Versuchen Sie nicht die Aufnahme von Material zu behindern nachdem die Zufuhr begonnen hat. Tragen Sie immer Handschuhe, um beim Einschleiben von Material in das Produkt Hautverletzungen zu verhindern.

- Schalten Sie das Produkt im normalen Betrieb nicht aus, bis das geschrederte Material das Schneidwerk komplett verlassen hat. Wird das Produkt vorzeitig ausgeschaltet, können verbleibende Teile des Materials das Schneidwerk blockieren und den Motor beim erneuten Einschalten zum Stillstand bringen.

## TRANSPORT UND LAGERUNG

- Schalten Sie das Gerät aus, entfernen Sie den Akkupack und lassen Sie beides abkühlen, bevor Sie es aufbewahren oder transportieren.
- Stellen Sie sicher, dass das Produkt gründlich gereinigt wurde, bevor Sie es an einem sauberen, trockenen Ort außer Reichweite von Kindern aufbewahren.
- Sichern Sie das Produkt beim Transport in einem Fahrzeug gegen Bewegung oder Herunterfallen, um Verletzungen an Personen und Beschädigung des Produktes zu verhindern.

## TRANSPORT VON LITHIUM-IONEN- AKKUS

Transportieren Sie Akkus gemäß Ihren örtlichen und nationalen Bestimmungen und Regeln.

Befolgen Sie alle besonderen Anforderungen für Verpackung und Beschriftung, wenn Sie Akkus von Dritten transportieren lassen. Stellen Sie sicher, dass beim Transport kein Akku in Kontakt mit anderen Akkus oder leitenden Materialien kommt, indem Sie die freien Anschlüsse mit Isolierband, nichtleitenden Kappen oder Kleband schützen. Beschädigte oder auslaufende Akkus dürfen nicht transportiert werden. Weitere Informationen erhalten Sie bei Ihrem Transportunternehmen.

## WEITERE SICHERHEITSHINWEISE ZUM AKKU

- Um die Brandgefahr sowie die Gefahr von Personenschaden und der Beschädigung des Produkts aufgrund eines Kurzschlusses zu reduzieren, halten Sie das Gerät, den Akkupack und das Ladegerät von Flüssigkeiten fern. Korrodierende oder leitfähige Flüssigkeiten, wie Salzwasser, bestimmte Chemikalien und Bleichmittel oder Produkte, die Bleichmittel enthalten, können einen Kurzschluss verursachen.

- Laden Sie den Akkupack bei einer Umgebungstemperatur von 10 bis 38 °C.
- Bewahren Sie den Akkupack bei einer Umgebungstemperatur von 0 bis 20°C auf.
- Verwenden Sie den Akkupack bei Umgebungstemperaturen von 0 bis 40 °C.

## WARTUNG UND PFLEGE

- Verwenden Sie ausschließlich original Ersatzteile, Zubehör und Aufsätze des Herstellers. Nichtbefolgung kann mögliche Verletzungen oder schlechte Leistung verursachen und Ihre Garantie ungültig machen.
- Bevor Sie das Gerät reinigen, überprüfen oder warten, schalten Sie es aus, lassen Sie das Schneidwerk vollständig zum Stillstand kommen und nehmen Sie den Akkupack heraus. Nach einiger Zeit häckseln werden die Schneidwerkzeuge heiß. Lassen Sie das Gerät abkühlen, bevor Sie es reinigen, überprüfen oder einstellen.
- Die Messer sind extrem scharf. Seien Sie extrem vorsichtig, wenn sie in der Nähe der Klingen oder innerhalb des geöffneten Gehäuses mit entferntem Sammelbehälter reinigen oder arbeiten, um Verletzungen zu vermeiden. Tragen Sie immer feste Schutzhandschuhe.
- Beachten Sie, dass das Schneidwerkzeug sich immer noch bewegen kann, sogar wenn die Stromversorgung ausgeschaltet ist und der Sicherheitsschalter eingeschaltet ist.
- Um die beste Leistung des Produktes zu gewährleisten, muss es sauber gehalten werden.
- Reinigen Sie das Produkt immer direkt nach der Benutzung. Wann immer möglich, benutzen Sie eine kräftige Bürste in den Zufuhr- und Auswurföffnungen und einen trockenen Lappen an der Außenseite des Produktes.
- Achten Sie darauf, dass kein Material auf den Flächen des Produkts trocknen und aushärten kann, insbesondere auf den Klingen. Das beeinflusst die Häckselleistung direkt.
- Stellen Sie sicher, dass der Einfülltrichter und der Auswurfschacht sauber und frei von Abfall gehalten werden.
- Stellen Sie sicher, dass alle Muttern, Bolzen und Schrauben (mit Ausnahme der Stellschraube) sicher festgezogen sind.

EN

FR

DE

ES

IT

NL

PT

DA

SV

FI

NO

RU

PL

CS

HU

RO

LV

LT

ET

HR

SL

SK

BG

UK

TR

- Lassen Sie beschädigte oder abgenutzte Teile immer von qualifiziertem Personal eines autorisierten Kundendienstes reparieren oder ersetzen.
- Versuchen Sie niemals die Sicherheitsschalter an dem Sammelbehälter oder der vorderen Abdeckung der Schneideinheit zu umgehen.
- Lassen Sie niemals Bremsflüssigkeiten, Benzine, Produkte auf Erdölbasis, Rostlöser usw. mit den Plastikteilen in Kontakt geraten. Verwenden Sie zum Reinigen des Geräts niemals Bremsflüssigkeit, Benzin, Produkte auf Petroleumbasis oder Lösungsmittel. Die meisten Plastikteile können durch den Gebrauch der handelsüblichen Solventien beschädigt werden, was sich auch auf ihre Leistung auswirken kann.
- Sie dürfen die in dieser Bedienungsanleitung beschriebenen Wartungsarbeiten durchführen. Wenden Sie sich zwecks anderer Reparaturen an ein autorisiertes Servicecenter.

### EINSTELLEN DER BRECHPLATTE

- Wenn das Material vom Gerät nicht zerkleinert wird, muss die Brechplatte eingestellt oder die Messer müssen geschärft werden.
- Mit der Zeit muss die Brechplatte des Geräts eingestellt werden. Die Brechplatte kann so eingestellt werden, dass sie die Messer leicht berührt. Achten Sie darauf, dass das Produkt eingeschaltet ist und im normalen Vorwärtsbetrieb läuft.
- Das Einstellen der Brechplatte bei ausgeschaltetem Motor kann schwere Schäden am Gerät nach sich ziehen.

**HINWEIS:** Die Brechplatte sollte nur eingestellt werden, wenn dies absolut notwendig ist. Bei einer zu häufigen oder zu weiten Einstellung der Brechplatte kann das Gerät betriebsunfähig werden.

1. Drehen Sie den Einstellknopf im Uhrzeigersinn, während das Produkt sich in Betrieb befindet.
2. Wenn Sie hören, dass sich Metallteile berühren, oder wenn Sie feine Aluminiumspäne auf dem Boden des Sammelbehälters finden, beenden Sie die Einstellung und lassen Sie das Gerät 30 Sekunden lang laufen. Drehen Sie den Einstellknopf anschließend 0,5 bis 1,0 gegen den Uhrzeigersinn, bis er keinen Kontakt zur Brechplatte mehr hat und ein Abstand von 1 mm besteht.

**HINWEIS:** Führen Sie jede Einstellung langsam durch, um Beschädigung des Produktes zu vermeiden. Zu starke Einstellung der Andruckplatte kann zu schweren Schäden des Produktes führen.

### EINSTELLEN DER BRECHPLATTE IM KALIBRIERUNGSMODUS

**HINWEIS:** Stellen Sie sich, dass das Gerät ausgeschaltet ist.

1. Wenn das Gerät ausgeschaltet ist, halten Sie die Taste für den Kalibrierungsmodus gedrückt und drücken Sie die Starttaste. Die Kalibrierung der Brechplatte wird gestartet.
2. Drehen Sie den Einstellknopf für die Brechplatte im Uhrzeigersinn, bis sich das Gerät ausschaltet.

**HINWEIS:** Drehen Sie den Knopf 0,5 bis 1,0 gegen den Uhrzeigersinn, bis die Brechplatte und die Messer nicht mehr in Kontakt sind.

3. Drücken Sie die Starttaste, um das Material wieder in das Gerät einzuziehen.

### MACHEN SIE SICH MIT IHREM PRODUKT VERTRAUT

*Siehe Seite 185.*

1. Batteriefach
2. Rückwärts-Taste
3. Taste für Kalibrierungsmodus
4. Stoptaste
5. Einfülltrichter
6. Startknopf
7. Akkuklappe
8. Einstellknopf für die Quetschplatte
9. Auslöseknopf für den Metallrahmen
10. Metallrahmen
11. Verschluss
12. Achse
13. Stößel
14. Rad
15. Splint
16. Unterlegscheibe
17. Nabenkappe
18. Bedienungsanleitung
19. Torx-Schlüssel
20. Sammelbehälter
21. Akkupack
22. Ladegerät

## SYMBOLE AUF DEM PRODUKT



Vor dem Bedienen des Produkts müssen Sie alle Anweisungen lesen und verstehen. Befolgen Sie alle Warn- und Sicherheitshinweise.



Achten Sie auf geschleuderte oder fliegende Objekte. Halten Sie alle Zuschauer, besonders Kinder und Haustiere, mindestens 15 m von dem Arbeitsbereich fern.



Warnung! Trennen Sie den Akkupack vor Wartungs-, Einstellungs- und Reinigungsarbeiten vom Gerät.



Gefahr! Rotierende Messer. Halten Sie Hände und Füße von den Öffnungen fern während das Produkt in Betrieb ist.



Tragen Sie Augen- und Gehörschutz.



Nicht als Trittleiter benutzen.



Warten Sie, bis alle Teile des Geräts vollständig zum Stillstand gekommen sind, bevor Sie sie berühren.



Garantierter Schalleistungspegel



Tragen Sie rutschfeste, strapazierfähige Schutzhandschuhe.



Wenn das Gerät ausgeschaltet und der Auswurf frei ist, drücken Sie die Kalibrierungstaste, um die Messerkalibrierung zu starten.



Zum Einschalten drücken und zum Umschalten der Geschwindigkeit erneut drücken.



Halten Sie die Taste gedrückt, um im Rückwärtsgang zu fahren.



Europäisches Konformitätskennzeichen



Britisches Konformitätskennzeichen



EurAsian Konformitätszeichen



Ukrainisches Konformitätskennzeichen



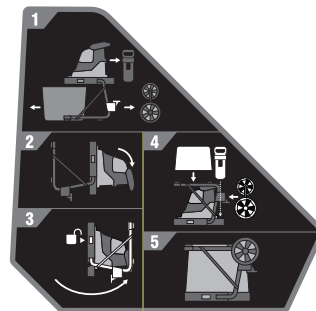
Kalibrierungsmodus



Überlastet



Sammelbehälter nicht eingesetzt



1. Entfernen Sie die Radachse, den Behälter und den Kolben.
2. Legen Sie das Gerät mit den Griffen nach unten auf den Boden.
3. Drücken Sie den Auslöseknopf am Metallrahmen und klappen Sie die Beine hoch, bis sie einrasten.
4. Legen Sie die Radachse, den Behälter und den Kolben an ihren Aufbewahrungsort.
5. Lagern Sie das Produkt an einem kühlen, trockenen und gut belüfteten Ort.

Entsorgen Sie Altbatterien, Elektro- und Elektronikaltgeräte nicht als unsortierten Siedlungsabfall. Altbatterien und Elektro- und Elektronikaltgeräte müssen getrennt gesammelt werden. Altbatterien, Altakkumulatoren und Lichtquellen müssen aus den Geräten entfernt werden. Informieren Sie sich bei den örtlichen Behörden oder bei Ihrem Einzelhändler über Recyclingoptionen und die Entsorgungseinrichtung. Je nach den örtlichen Vorschriften kann der Einzelhandel verpflichtet sein, Altbatterien und Elektro- und Elektronik-Altgeräte unentgeltlich zurückzunehmen. Ihr Beitrag zur Wiederverwendung und zum Recycling von Elektro- und Elektronikaltgeräten trägt dazu bei, den Bedarf an Rohstoffen zu verringern. Altbatterien, insbesondere lithiumhaltige Batterien, und Elektro- und Elektronik-Altgeräte enthalten wertvolle, wiederverwertbare Materialien, die sich negativ auf die Umwelt und die menschliche Gesundheit auswirken können, wenn sie nicht auf umweltverträgliche Weise entsorgt werden. Löschen Sie ggf. personenbezogene Daten aus Altgeräten.



## SYMBOLE IN DIESER BEDIENUNGSANLEITUNG



Teile oder Zubehör getrennt erhältlich



Hinweis



Warnung



Schließen



Öffnen



FEHLERBEHEBUNG		
PROBLEM	GRUND	AKTION
Motor läuft nicht.	Temperaturüberlastung	Lassen Sie das Produkt 15 Minuten lang abkühlen. Dies kann vorkommen, wenn die Umgebungstemperatur hoch ist und das Produkt durchgehend ohne Unterbrechung verwendet wurde.
	Akkupack	Prüfen Sie, ob der Akkupack vollständig geladen ist, keine Anzeichen von Wassereintritt aufweist und nicht beschädigt ist. Testen Sie den Akku in einem anderen Gerät, um sicherzustellen, dass er richtig funktioniert.
	Sammelbehälter	Setzen Sie den Sammelbehälter gemäß den Etiketten an der Seite des Behälters ein, und vergewissern Sie sich, dass er vollständig eingesetzt ist und die vordere Verriegelung eingerastet ist.
	Schutzabdeckung	Vergewissern Sie sich, dass alle 4 Schrauben, mit denen die Schutzabdeckung befestigt ist, fest angezogen sind.
Das Material wird nicht in den Auswurf befördert.	Das Material hat sich im Einfülltrichter verklemmt.	Befolgen Sie die Anweisungen zum Entfernen von Blockierungen in der Bedienungsanleitung.
	Die Quetschplatte ist zu weit vom Schneidmesser entfernt.	Befolgen Sie die Anweisungen im Handbuch zum Spannen der Quetschplatte.

La seguridad, el rendimiento y la fiabilidad han sido las máximas prioridades a la hora de diseñar esta trituradora inalámbrica.

## USO PREVISTO

La trituradora inalámbrica está diseñada para reducir los residuos orgánicos de los jardines, como ramas, ramitas y hojas.

El producto se utilizará en espacios exteriores, en una posición fija y accionada por un usuario situado de pie sobre el suelo.

El producto no se utilizará con materiales no orgánicos, metales o materiales que puedan superar su capacidad de corte máxima.

El producto debe de ser montado en el soporte suministrado e debe de ser usado con la caja de recogida suministrada. El aparato no debe de ser montado de otro modo sino lo enseñado en este manual.

No la use para ninguna otra finalidad.

## ALERTA DE SEGURIDAD GENERAL

**⚠ ¡ADVERTENCIA!** Este producto no debe ser utilizado por niños o personas con discapacidad física, mental o sensorial. Asegúrese de que los niños se encuentran vigilados en todo momento, por otra persona que no el operador de la máquina, y que no jueguen cerca de la máquina.

**⚠ ¡ADVERTENCIA!** Al utilizar el aparato debe adoptar medidas básicas de seguridad para reducir el riesgo de incendio, choque eléctrico y lesiones. Antes de manipular este producto, lea atentamente las instrucciones de seguridad. Familiarícese con los controles y el uso adecuado del producto. Guarde las instrucciones para usarlas en el futuro.

## APRENDIZAJE

- Familiarícese con las instrucciones antes de intentar utilizar el producto.
- Nunca permita que niños o personas no familiarizadas con las instrucciones utilicen este producto. Las regulaciones locales pueden restringir la edad del operario.
- El usuario del producto es responsable de los accidentes o los peligros que puedan producirse para otras personas o sus propiedades.

## PREPARACIÓN

- No haga funcionar la máquina mientras haya cerca personas, especialmente niños, o animales.
- No utilice el producto si las condiciones meteorológicas son adversas, especialmente si hay riesgo de rayos. Utilice protecciones acústicas y gafas de seguridad en todo momento mientras utilice el producto.
- Mientras esté manipulando el producto, use siempre calzado sólido y pantalones largos. No utilice la máquina si está descalzo o lleva sandalias. Evite usar ropa suelta o de la que cuelguen cordones o lazos.
- Use el producto solamente en espacios abiertos (p. ej., no lo haga cerca de una pared ni un objeto fijo) y en una superficie firme y nivelada.
- No haga funcionar la máquina en una superficie pavimentada o con grava donde el material eyectado pueda causar lesiones.
- Antes de poner el aparato en marcha compruebe que todos los tornillos, tuercas, tornillos y otros fijadores están debidamente apretados y que las protecciones e caja de recogida están en su lugar. Lleve el producto a un centro de servicio autorizado para sustituir los componentes dañados o las etiquetas ilegibles.

## USO Y CUIDADO DE LA BATERÍA

- Recargue la unidad solamente con el cargador especificado por el fabricante. Un cargador que es adecuado para un tipo de batería puede crear un riesgo si se utiliza con otro tipo de batería.
- Utilice sólo herramientas eléctricas específicamente diseñadas para ellos. Utilizar cualquier otro tipo de baterías puede causar lesiones o un riesgo de incendio.
- Cuando la batería no está en uso, manténgala alejada de otros objetos metálicos como clips, monedas, llaves, clavos, tornillos u otros objetos metálicos pequeños que puedan crear una conexión desde una terminal a otra. Causar un cortocircuito en los terminales de la batería puede causar quemaduras o un incendio.
- En condiciones abusivas, podría salir expulsado líquido de la batería, por lo que debería evitar el contacto con éste. Si se produce un contacto accidental, enjuáguese las manos con agua. Si el líquido entra en contacto con los ojos, acuda inmediatamente al médico. Si el líquido es expulsado de la batería y entra

en contacto con él, podría causar irritación o quemaduras.

- No utilice un paquete de baterías o una herramienta que esté dañado o modificado. Las baterías dañadas o modificadas pueden presentar un comportamiento impredecible y provocar fuego, explosión o riesgo de lesión.
- No exponga la batería o la herramienta al fuego o a temperaturas excesivas. La exposición al fuego o a una temperatura superior a 130 °C puede provocar una explosión.
- Siga todas las instrucciones de carga y no cargue la batería o la herramienta fuera del rango de temperaturas especificado en las instrucciones. La carga inadecuada o a temperaturas fuera del rango especificado puede dañar la batería e incrementar el riesgo de fuego.

## MANTENIMIENTO

- Su herramienta eléctrica debería ser reparada por personas cualificadas, que deberían utilizar únicamente piezas de repuesto idénticas. Esto garantizará la seguridad a la hora de utilizar la herramienta eléctrica.
- Nunca arregle baterías dañadas. Solo el fabricante o proveedores homologados deberían reparar las baterías.

## ADVERTENCIAS DE SEGURIDAD DE LA TRITURADORA INALÁMBRICA

- Cuando instale el producto, asegúrese de que esté fijado para que no vuelque. Si el producto se apaga con demasiada rapidez, los restos de material pueden obstruir el conjunto de cuchillas y atascar el motor cuando el producto se vuelva a poner en marcha.
- Antes de poner en marcha el producto, eche un vistazo a la cámara de alimentación para asegurarse de que esté vacía.
- Mantenga su rostro y cuerpo lejos de la apertura de alimentación.
- No permita que las manos o cualquier otra parte del cuerpo o la ropa acceda al interior de la cámara de alimentación, tubo de descarga, o esté cerca de cualquier parte móvil.
- Asegúrese siempre de que está en equilibrio, en una superficie estable. Afírmese bien en sus piernas y no extienda demasiado el brazo. No se extienda demasiado. No se coloque nunca a un nivel más alto que la base del producto cuando introduzca material en él. Camine, nunca corra.

- Manténgase siempre alejado de la zona de descarga cuando use el producto.
- Cuando introduzca material en el producto, extreme las precauciones para evitar la entrada de metal, rocas, botellas, latas u otros objetos extraños.
- Si el mecanismo de corte golpea cualquier objeto extraño, o si el producto empieza a realizar ruidos poco habituales o a vibrar, apague el producto y deje que las cuchillas se detengan por completo. Extraiga la batería. Lleve a cabo los pasos indicados a continuación:
  - Revise minuciosamente el producto en busca de posibles daños.
  - Compruebe y apriete cualquier componente suelto del producto.
  - cambie o repare las piezas dañadas
- No permita la acumulación de material procesado en el mango de descarga, ya que eso puede impedir una descarga adecuada e provocar un resalto en el material a través de la apertura de admisión.
- Si el producto se atasca, apáguelo y deje que las cuchillas se detengan por completo. Retire la batería antes de limpiar la suciedad.
- Nunca opere el producto si las protecciones, tapas, caja de recogida u otros aparatos de seguridad están dañados, no están en su lugar o no funcionan correctamente.
- No mueva ni transporte el producto mientras esté en funcionamiento.
- Apague la unidad y retire la batería. Asegúrese de que todas las partes móviles se han detenido por completo:
  - antes de dejar el producto sin vigilancia
  - antes de limpiar una obstrucción
  - antes de inspeccionar, limpiar o trabajar con el producto
- No incline el producto mientras esté en funcionamiento.
- El uso prolongado de una herramienta puede causar o agravar lesiones. Si utiliza el producto durante periodos de tiempo prolongados, asegúrese de realizar pausas de forma periódica.
- No modifique la herramienta de modo alguno ni utilice piezas o accesorios que no sean los recomendados por el fabricante. Esto puede aumentar el riesgo de lesión grave, tanto para usted como para otras personas.
- Asegúrese siempre de que las aberturas de ventilación estén limpias. El motor puede

EN

FR

DE

ES

IT

NL

PT

DA

SV

FI

NO

RU

PL

CS

HU

RO

LV

LT

ET

HR

SL

SK

BG

UK

TR

sobrecalentarse, lo que podría provocar daños en el producto o aumentar el riesgo de que se produzca un incendio.

- Apague el producto antes de colocar o retirar el cubo de recogida.
- Apague inmediatamente la unidad y retire la batería en caso de accidente o avería. No vuelva a utilizar el producto hasta que un servicio de mantenimiento autorizado lo haya inspeccionado completamente.

## GUÍA DE CORTE

Para obtener los mejores resultados al aparar siga as instrucciones enseñadas en la tabla abajo.

MATERIAL	MÉTODO DE CORTE
Ramas de hasta 45 mm de diámetro.	Apare todas las puntas laterales con tijeras propias antes de colocarlas en la cámara de trituración.
Plantas de cantero, hierbas y arbustos	Deshaga tierra y aleje piedras de las raíces para evitar daños en las hojas.
Hojas recién-cortadas, cobertura y residuos de cocina (es decir, hojas de col, cáscaras de legumbres, etc.)	Dado que algún material tiene un elevado contenido de humedad se aconseja dejar entrar algunos palos secos en intervalos regulares para ayudar a empujar el material a través del conjunto de corte y evitar su bloqueo.
Ramas secas y ramas	Mediante la inserción de éstos al final de su tarea de trituración, esto ayudará a limpiar la humedad y la savia de la planta desde el interior del producto y el conjunto de corte.

- No permita la acumulación de residuos en el jardín antes de iniciar a operación de corte, ya que estos iniciarán la descomposición,

quedarán húmidos e entupirán el conjunto de corte. El material seco ayudará la mayor parte del material a salir del mango de eyección. Guarde algunos palos secos hasta el final para ayudar a limpiar el área de la hoja.

- Compruebe frecuentemente la acumulación de material triturado.
- Cuando la caja de recogida está llena, apague el aparato antes de vaciarla.
- Al alimentar ramos/tallos largos en el aparato tenga cuidado con las batidas y vibraciones producidos a medida que estos se apañan por el cortador. El operador debe usar protección ocular cuando utilice el producto.
- El aparato de corte tiene tendencia a tirar las ramas/talos hacia el aparato. No intente impedir la admisión de material en corte cuando la alimentación se inicia. Siempre use guantes para evitar laceraciones de la piel en el contacto del material con el producto.
- En condiciones normales de uso, no apague el producto hasta que todo el material triturado haya salido del conjunto de corte. Si el producto se apaga con demasiada rapidez, los restos de material pueden obstruir el conjunto de cuchillas y atascar el motor cuando el producto se vuelva a poner en marcha.

## TRANSPORTE Y ALMACENAMIENTO

- Apague el producto, extraiga la batería y deje que los dos componentes se enfríen antes de proceder a su almacenamiento o transporte.
- Asegure que el producto fue bien limpio antes de guardarlo en un lugar limpio, seco y fuera del alcance de los niños.
- Para el transporte, asegure el producto para que no se mueva ni se caiga y evitar así lesionar a alguien o dañar el producto.

## TRANSPORTE DE BATERÍAS DE LITIO

Transporte de baterías de acuerdo con las disposiciones y reglamentos nacionales y locales.

Cumpla todos los requisitos especiales relativos al embalaje y etiquetado cuando el transporte de baterías se lleve a cabo por un tercero. Asegúrese de que, durante el transporte, las baterías no entran en contacto con otras baterías o materiales conductores protegiendo los conectores expuestos con tapones o tapas aislantes de material no conductor. No transporte baterías que tengan grietas o fugas. Consulte a la empresa de transporte para obtener más asesoramiento.

## ADVERTENCIAS DE SEGURIDAD DE LA BATERÍA ADICIONAL

- Para reducir el riesgo de incendio, lesiones personales y daños al producto provocados por un cortocircuito, nunca sumerja el producto, la batería o el cargador en líquido, ni permita que un líquido fluya por su interior. Los fluidos corrosivos o conductivos, como el agua de mar, ciertos productos químicos industriales y blanqueadores o lejías que contienen, etc., Pueden causar un cortocircuito.
- Cargue la batería en un lugar donde la temperatura ambiente esté comprendida entre 10 °C y 38 °C.
- Guarde la batería en un lugar donde la temperatura ambiente esté comprendida entre 0 °C y 20 °C.
- Utilice la batería en un lugar donde la temperatura ambiente esté comprendida entre 0 °C y 40 °C.

## MANTENIMIENTO

- Utilice sólo piezas y accesorios de recambio originales del fabricante. Si no lo hace podría ocurrir un mal funcionamiento, podrían producirse daños o podría quedar anulada la garantía.
- Antes de llevar a cabo la limpieza, inspección o mantenimiento del producto, apáguelo, deje que las cuchillas se detengan por completo y retire la batería. Después de algún tiempo de trituración, el mecanismo de corte se calienta. Deje que se enfríe antes de proceder a la limpieza, inspección o ajuste.
- Las cuchillas son muy afiladas. Para evitar lesiones, tenga mucho cuidado y atención al limpiar o trabajar junto a las hojas o dentro del recinto abierto cuando retira la caja de recogida. Use siempre guantes de protección.
- Atención a los medios de corte que pueden moverse con la electricidad apagada o si el interruptor de interbloqueo está activo.
- Para garantizar el mejor desempeño del producto, este debe de estar siempre limpio.
- Limpie siempre el producto inmediatamente tras su utilización. Siempre que sea posible, utilice un cepillo duro dentro de los conductos de alimentación y descarga y un paño seco en el exterior del producto.
- No permita que el material se seque ni se endurezca en ninguna de las superficies del producto, especialmente en las cuchillas. Esto afectará directamente o desempeño de corte.

- Confirme que la tolva de alimentación y el canal de eyección son limpios y libres de todos los materiales de residuos.
- Asegúrese de que todas las tuercas, pernos y tornillos (salvo el tornillo de ajuste) estén bien apretados.
- Repare o sustituya siempre las piezas dañadas o partidas por personal cualificado en un centro de servicio autorizado.
- Nunca intente sobrepasar los interruptores de intrabloqueo en la caja de recogida o en la protección frontal del conjunto de corte.
- No permita en ningún momento que las piezas de plástico entren en contacto con líquido de frenos, gasolina, productos derivados del petróleo, aceites penetrantes, etc. No utilice nunca líquidos de frenos, gasolina, productos derivados del petróleo ni disolventes para limpiar el producto. La mayoría de los plásticos son susceptibles a daños de varios tipos de solventes comerciales y pueden dañarse por su uso.
- Usted puede efectuar las tareas de mantenimiento que se describen en este manual. Para cualquier otra reparación del producto, solicite su realización a un centro de servicio autorizado.

## AJUSTE DE LA PLACA DE APLASTAMIENTO

- Si el producto no tritura el material, puede que se deba ajustar la placa de aplastamiento o afilar las cuchillas.
- Con el paso del tiempo, será necesario ajustar la placa de aplastamiento. Esto se puede realizar ajustando la placa de aplastamiento para que entre en contacto ligeramente con las cuchillas. Asegúrese de que el producto esté encendido y que funcione en la dirección de avance normal.
- Ajustar la placa de aplastamiento con el motor apagado podría producir graves daños en el producto.

**NOTA:** El ajuste de la placa de aplastamiento solo se debe realizar cuando se considere totalmente necesario. El ajuste de la placa de aplastamiento con demasiada frecuencia o demasiada distancia puede provocar que el producto deje de funcionar.

1. Mientras el producto esté funcionando, gire el pomo de ajuste hacia la derecha.
2. Cuando escuche un contacto de metal contra metal o cuando vea rebabas finas de aluminio en el fondo del contenedor de recogida, detenga el ajuste y deje que el producto funcione durante 30 minutos. A

continuación, gire la perilla de ajuste hacia la izquierda con un giro de 0,5-1,0 hasta que deje de estar en contacto con la placa de aplastamiento (deje 1 mm de espacio).

**NOTA:** Cualquier ajuste debe hacerse lentamente para evitar dañar el producto. Si la placa inferior es excesivamente ajustada, puede causar daños importantes en el producto.

### AJUSTE DE LA PLACA DE APLASTAMIENTO CON EL MODO CALIBRACIÓN

**NOTA:** Asegúrese de que el producto esté apagado.

1. Cuando el producto esté apagado, mantenga pulsado el botón del modo calibración y, a continuación, presione el botón de arranque. La cuchilla empezará a realizar la calibración.
2. Gire la perilla de ajuste de la placa de aplastamiento en el sentido de las agujas del reloj hasta que el producto se apague.

**NOTA:** Gire la perilla en sentido contrario de las agujas del reloj con un giro de 0,5-1,0 hasta que la placa de aplastamiento y las cuchillas dejen de estar en contacto.

3. Pulse el botón de arranque para volver a introducir material en el producto.

### CONOZCA SU PRODUCTO

Véase la página 185.

1. Ranura para la batería
2. Botón de marcha atrás
3. Botón del modo calibración
4. Botón Parada
5. Mango de alimentación
6. Botón de arranque
7. Tapa de la batería
8. Perilla de ajuste de la placa de aplastamiento
9. Botón de liberación del bastidor metálico
10. Estructura de metal
11. Cierre
12. Eje
13. Émbolo del material
14. Rueda
15. Pasador dividido
16. Junta
17. Tapa del buje
18. Manual de instrucciones
19. Llave Torx
20. Cubo de recogida
21. Batería
22. Cargador

### SÍMBOLOS EN EL PRODUCTO



Lea y entienda todas las instrucciones antes de utilizar el producto. Siga todas las advertencias e instrucciones de seguridad.



Tenga cuidado con los objetos volátiles o lanzados. Mantenga a todos los espectadores, especialmente a los niños y las mascotas, por lo menos a 15 metros de la zona de trabajo.



¡Advertencia! Desconecte la batería antes de proceder al mantenimiento, ajuste y limpieza del producto.



Peligro! Cuchillas de rotación. Mantenga las manos y los pies apartados de las aberturas mientras el aparato está en funcionamiento.



Utilice protección ocular y auditiva.



No utilice como escalón.



Espere a que todos los componentes del producto se hayan detenido por completo antes de tocarlos.



Nivel de potencia acústica garantizado



Utilice guantes protectoras antideslizantes resistentes.



Quando el producto esté apagado y la tolva esté despejada, pulse el botón de calibración para iniciar la calibración de la cuchilla.



Pulse el botón para encender el producto y vuelva a pulsarlo para cambiar de velocidad.



Mantenga pulsado el botón para ejecutar el modo de marcha atrás.



Marca de conformidad europea



Marca de conformidad británica



Certificado EAC de conformidad



Marca de conformidad de Ucrania



Modo calibración



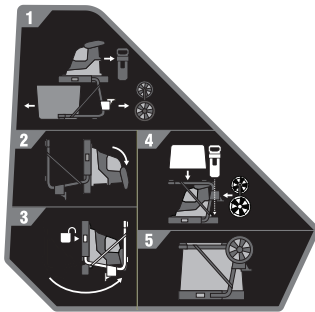
Sobrecarga



El cubo de recogida no está insertado



No deseche los residuos de baterías, aparatos eléctricos y electrónicos como residuos municipales no clasificados. Los residuos de baterías, aparatos eléctricos y electrónicos se deben recoger de forma independiente. Los residuos de baterías, acumuladores y fuentes de luz se deben retirar de los aparatos. Consulte a sus autoridades locales o a su vendedor para obtener información sobre reciclaje y puntos de recogida. De acuerdo con lo establecido en las normativas locales, los establecimientos minoristas pueden tener la obligación de recuperar los residuos de baterías, aparatos eléctricos y electrónicos de forma gratuita. Su contribución a la hora de reutilizar y reciclar los residuos de baterías y los residuos de aparatos eléctricos y electrónicos ayuda a reducir la demanda de materias primas. Los residuos de baterías, en especial las que contienen litio, y los residuos de aparatos eléctricos y electrónicos contienen materiales valiosos que se pueden reciclar, y que podrían afectar de forma negativa al medio ambiente y a la salud humana si no se desechan de un modo medioambientalmente responsable. Si lo hubiera, elimine cualquier dato personal de los residuos de los aparatos.



1. Retire el eje de la rueda, el cubo y el émbolo.
2. Coloque el producto en el suelo con las asas mirando hacia abajo.
3. Pulse el botón de liberación del bastidor metálico y pliegue las patas hasta que queden bloqueadas en su posición.
4. Coloque el eje de las ruedas, el cubo y el émbolo en sus posiciones de almacenamiento.
5. Almacene el producto en un lugar fresco, seco y con una ventilación adecuada.

**SÍMBOLOS EN ESTE MANUAL**



Las piezas o accesorios se venden por separado



Nota



Advertencia



Cierre



Desbloquear

## RESOLUCIÓN DE PROBLEMAS

PROBLEMA	CAUSA	ACCIÓN
El motor no funciona.	Sobrecarga por temperatura excesiva	Deje que el producto se enfríe durante 15 minutos. Esta situación se puede producir si la temperatura ambiente es alta y cuando el producto se haya utilizado de forma continua y sin pausas.
	Batería	Compruebe si la batería está totalmente cargada, no presenta signos de entrada de agua y no está dañada. Pruebe la batería en una herramienta diferente para asegurarse de que funciona correctamente.
	Cubo de recogida	Inserte el cubo de recogida siguiendo las etiquetas presentes en el lado del cubo y asegúrese de que queda totalmente insertado, con el bloqueo delantero acoplado.
No llega material a la tolva.	Placa de protección de la cuchilla	Asegúrese de que los 4 pernos que fijan la placa de protección de la cuchilla estén totalmente apretados.
	El material está atascado en el embudo de alimentación.	Para limpiar obstrucciones, siga el manual de instrucciones.
	La placa de aplastamiento está demasiado lejos de la cuchilla de corte.	Siga la instrucción indicada en el manual para proceder al tensado de la placa de aplastamiento.



Durante la progettazione di questo trituratore senza fili è stata data la massima priorità a sicurezza, prestazioni e affidabilità.

### UTILIZZO RACCOMANDATO

Il trituratore senza fili è progettato per la riduzione dei materiali organici di scarto del giardinaggio, come rami, ramoscelli e foglie.

Il prodotto è destinato all'uso in esterni in posizione eretta da parte di un operatore in piedi.

Il prodotto non è pensato per materiali non organici, metallo o materiale che supera la massima capacità di taglio.

Il prodotto deve essere montato sul supporto fornito e deve essere utilizzato con la scatola di raccolta inclusa. Non montare in modi diversi da quelli indicati nel presente manuale.

Non utilizzare per altri scopi.

### AVVERTENZE GENERALI DI SICUREZZA

**⚠ AVVERTENZA!** Prodotto non inteso per essere utilizzato da bambini o persone con ridotte capacità fisiche, mentali o sensoriali. Far supervisionare sempre i bambini da un adulto che non sia l'operatore per assicurarsi che non giochino vicino o con il prodotto.

**⚠ AVVERTENZA!** Quando si utilizza il prodotto si dovranno seguire precauzioni di sicurezza di base per ridurre il rischio di incendio, scosse elettriche e lesioni personali. Leggere tutte le istruzioni di sicurezza attentamente prima di mettere in funzione il prodotto. Familiarizzare con i comandi e il corretto utilizzo del prodotto. Conservare le istruzioni per eventuali riferimenti futuri.

### UTILIZZO

- Prima di utilizzare il prodotto prendere familiarità con le istruzioni.
- Non lasciare che bambini o persone che non conoscono le istruzioni lo utilizzino. Leggi locali possono limitare l'età dell'operatore.
- L'operatore o l'utente del prodotto è responsabile degli incidenti o dei pericoli che possono interessare le altre persone o le loro proprietà.

### PREPARAZIONE

- Non mettere mai in funzione l'utensile in presenza di osservatori, soprattutto bambini, o animali.
- Non utilizzare il prodotto con avverse condizioni meteo, specialmente in caso di fulmini. Indossare sempre protezioni per occhi e orecchie durante il funzionamento del prodotto.
- Mentre si mette in funzione il prodotto indossare sempre calzature resistenti e pantaloni lunghi. Non mettere in funzione l'utensile se scalzi o se si indossano sandali. Evitare di indossare abiti con parti svolazzanti o con cordicelle o lacci.
- Utilizzare il prodotto solo in uno spazio aperto (es. non vicino a un muro o a un oggetto fisso) e su una superficie ferma e livellata.
- Non mettere in funzione la macchina su superfici pavimentate o con ciottoli o materiali che potranno essere scagliati verso l'operatore ferendolo.
- Prima di avviare il prodotto controllare che tutte le viti, i dadi, i bulloni e altri dispositivi siano correttamente assicurati e che tutti i paralame come pure la scatola di raccolta siano stati inseriti. Portare il prodotto presso un centro di assistenza autorizzato per sostituire le etichette danneggiate o illeggibili.

### USO E MANUTENZIONE DELLA BATTERIA

- Ricaricare solo con il caricatore indicato dalla ditta produttrice. Un caricatore che è adatto per un tipo di batteria potrebbe creare rischi quando utilizzato con altri tipi.
- Utilizzare elettrooutensili solo con i gruppi batteria indicati. L'utilizzo di gruppi batteria diversi da quelli indicati potrà causare rischi di lesioni e incendi.
- Quando il gruppo batterie non viene utilizzato, tenerlo lontano da oggetti in metallo come fermagli, monete, chiavi, chiodi, viti o altri piccoli oggetti che potranno fare da tramite da un terminale all'altro. Cortocircuitare i terminali della batteria assieme potrà causare scottature o incendi.
- Se sottoposto a stress, la batteria potrà perdere dei liquidi; evitare il contatto. Se si entra accidentalmente in contatto con tali liquidi, lavarsi immediatamente con acqua. Se il liquido entra negli occhi, rivolgersi a un medico. Il liquido espulso dalla batteria potrà causare irritazioni o scottature.

- Non utilizzare batterie o strumenti danneggiati o alterati. Le batterie danneggiate o alterate potrebbero avere un comportamento imprevedibile e causare incendi, esplosioni o rischio di lesioni.
- Non esporre la batteria o l'utensile a fiamme libere o a temperature eccessive. L'esposizione a fiamme libere o a temperature superiori a 130°C può causare esplosioni.
- Attenersi alle istruzioni di ricarica e non cambiare il gruppo batteria o l'utensile in condizioni di temperatura eccedenti l'intervallo di valori specificato nelle istruzioni. Eseguire la ricarica in modo improprio o all'infuori dell'intervallo specificato potrebbe danneggiare la batteria e aumentare il rischio d'incendio.
- Quando si inserisce il materiale nel prodotto, prestare estrema attenzione che i pezzi di metallo, rocce, bottiglie, lattine o altri oggetti estranei non siano inclusi.
- Se il meccanismo di taglio colpisce dei corpi estranei o se il prodotto comincia a produrre rumori o vibrazioni insoliti, spegnere il prodotto stesso e attendere l'arresto completo delle lame. Rimuovere il gruppo batterie. Effettuare le seguenti operazioni:
  - Ispezionare accuratamente il prodotto per eventuali danni.
  - Controllare e stringere i pezzi liberi del prodotto.
  - sostituire o riparare le parti danneggiate
- Non lasciare che il materiale tritato si accumuli nel tubo di scarico dal momento che ciò potrà prevenire un corretto scarico o blocco risultando in un ritorno di materiali attraverso l'apertura dell'alimentazione.

## MANUTENZIONE

- Far svolgere la manutenzione da personale qualificato utilizzando solo parti di ricambio identiche. Ciò permette di mantenere la sicurezza dell'elettro utensile.
- Non riparare mai le batterie danneggiate. La riparazione delle batterie dev'essere eseguita solo dal fabbricante o da fornitori di assistenza autorizzati.
- Se il prodotto si inceppa, spegnerlo e attendere l'arresto completo delle lame. Rimuovere la batteria prima di rimuovere i detriti.
- Non mettere mai in funzione il prodotto se paralame, coperchi scatole di raccolta o altri dispositivi sono difettosi, non sono stati montati o non funzionano.

## AVVERTENZE DI SICUREZZA DEL TRITURATORE SENZA FILI

- Durante la preparazione del prodotto per l'uso, accertarsi che il prodotto non possa capovolgersi. Se il prodotto viene spento troppo presto, i frammenti rimanenti di materiale possono inceppare il gruppo lame e bloccare il motore alla riaccensione del prodotto.
- Prima di avviare il prodotto, guardare nella camera di alimentazione per assicurarsi che sia vuota.
- Tenere sempre il viso e il volto lontani dalla griglia dell'aria e dall'apertura dell'alimentazione.
- Non inserire mani, altre parti del corpo o abiti nella camera di alimentazione.
- Mantenere sempre l'equilibrio. Rimanere bene in equilibrio sulle gambe e non distendere troppo lontano le braccia. Non protendersi. Non posizionarsi mai oltre la base del prodotto quando si inserisce il materiale all'interno. Camminare, non correre mai.
- Durante l'utilizzo del prodotto tenersi sempre a distanza dalla zona di scarico.
- Non spostare o trasportare il prodotto con il prodotto in funzione.
- Spegnerlo e rimuovere la batteria. Assicurarsi che tutte le parti in movimento si siano arrestate:
  - prima di lasciare il prodotto incustodito
  - prima di rimuovere un blocco
  - prima di svolgere le operazioni di controllo o pulizia sul prodotto o prima di utilizzarlo
- Non inclinare il prodotto mentre è in funzione.
- Il prolungato utilizzo dell'utensile potrà causare o aggravare lesioni. Quando il prodotto viene utilizzato per periodi prolungati, effettuare brevi interruzioni.
- Non modificare l'utensile in alcun modo né utilizzare parti e accessori non raccomandati dalla ditta produttrice. Questo potrebbe aumentare il rischio di danni su di sé o altri.
- Assicurarsi sempre che le feritoie di ventilazione siano sempre libere da detriti. Il motore potrebbe surriscaldarsi causando possibili danni al prodotto o incrementare il rischio di incendi.
- Spegnerlo il prodotto prima di fissare o rimuovere il contenitore di raccolta.

- Spegnere immediatamente il prodotto e rimuovere il pacco batteria in caso di incidente o guasto. Non utilizzare di nuovo il prodotto finché non è stato controllato a fondo da un centro di assistenza autorizzato.

## GUIDA ALLA TRITURAZIONE

Per i migliori risultati di triturazione, seguire le linee guida indicate nella tavola seguente.

MATERIALE	METODO DI TRITURAZIONE
Rami fino a 40 mm di diametro.	Sfrondare eventuali rami dagli arbusti con le cesoie prima di inserirli nel trituratore.
Piante in aiuole, erbacce e arbusti vari	Rimuovere terreno e pietre dalle radici per evitare danni alle lame.
Fogliame tagliato di fresco, siepi e rifiuti domestici (come per esempio foglie di cavoli, bucce vegetali, ecc)	Ricordare di inserire alcuni bastoncini secchi a intervalli regolari quando si utilizzano materiali ad alto contenuto di umidità per aiutarsi a spingere il materiale attraverso il gruppo di taglio.
Rami e rametti secchi	Inserire questi pistoni alla fine delle operazioni di triturazione, ciò aiuterà a rimuovere l'umidità e la linfa delle piante dall'interno del prodotto e dal gruppo di taglio.

- Non lasciare accumulare scarti di rifiuti organici prima di passare alle operazioni di triturazione dal momento che gli stessi inizieranno a trasformarsi in compost e potranno diventare eccessivamente umidi e bloccando il dispositivo di taglio. Il materiale asciutto aiuterà a rimuovere la maggior parte di materiale dal tubo di scarico. Conservare alcuni bastoncini secchi per ultimi per pulire la zona lame.
- Monitorare frequentemente la formazione del materiale tritato.
- Quando la scatola di raccolta è piena, spegnere il prodotto prima di svuotarla.

- Quando si inseriscono lunghi rami/arbusti nell'utensile fare attenzione al rimbalzo e alle vibrazioni quando verranno risucchiati dalle lame di taglio. L'operatore deve indossare maschere di protezione per gli occhi quando utilizza il prodotto.

- Il dispositivo di taglio ha la tendenza di risucchiare rami/arbusti nel prodotto. Non tentare di bloccare l'ingresso di materiali da tagliare una volta iniziate le operazioni di taglio. Indossare sempre guanti per prevenire lacerazioni alla pelle quando si inserisce del materiale nel prodotto.

- Nel normale utilizzo, non spegnere il prodotto finché tutto il materiale tritato non abbia lasciato il gruppo di taglio. Se il prodotto viene spento troppo presto, i frammenti rimanenti di materiale possono inceppare il gruppo lame e bloccare il motore alla riaccensione del prodotto.

## TRASPORTO E RIPONIMENTO

- Spegnere il prodotto, rimuovere il pacco batteria e lasciare raffreddarlo prima di conservarlo o trasportarlo.
- Assicurarsi che il prodotto sia stato completamente pulito prima di riporlo in un luogo asciutto, pulito e lontano dalla portata dei bambini.
- Per trasportare il prodotto, assicurarlo da eventuali movimenti o cadute per evitare lesioni a persone o danni al prodotto.

## TRASPORTO BATTERIE AL LITIO

Trasportare le batterie rispettando quanto indicato dalle norme e regolamentazioni locali.

Far rispettare quanto indicato sulle etichette e sull'involucro quando la batteria viene trasportata da terzi. Assicurarsi che le batterie non entrino in contatto con altre batterie o con materiali conduttivi mentre si trasportano proteggendo connettori esposti con tappi o nastro isolante e non conduttivo. Non trasportare batterie rotte o che perdono liquidi. Consultare la ditta produttrice per eventuali ulteriori consigli.

## AVVERTENZE AGGIUNTIVE PER LA SICUREZZA DELLA BATTERIA

- Per ridurre il rischio di incendio, lesioni personali e danni al prodotto dovuti a corto circuito, non immergere mai il prodotto, il pacco batteria o il caricabatterie in liquidi,

né favorire la penetrazione di liquidi al loro interno. I fluidi corrosivi o conduttori come acqua salata, alcuni agenti chimici, agenti candeggianti o prodotti contenenti agenti candeggianti potrebbero provocare un corto circuito.

- Caricare il pacco batteria in una posizione in cui la temperatura ambiente è compresa tra 10°C e 38°C.
- Conservare il pacco batteria in una posizione in cui la temperatura ambiente è compresa tra 0°C e 20°C.
- Utilizzare il pacco batteria in una posizione in cui la temperatura ambiente è compresa tra 0°C e 40°C.

## MANUTENZIONE

- Utilizzare solo parti di ricambio, accessori e dispositivi originali della ditta produttrice. In caso contrario si potranno causare lesioni, prestazioni basse e la garanzia verrà invalidata.
- Prima di pulire, ispezionare o eseguire la manutenzione del prodotto, spegnerlo, attendere che le lame si siano completamente arrestate e rimuovere la batteria. Dopo che la macchina sarà stata attivata per un periodo di tempo, il meccanismo di taglio si surriscaldierà. Lasciarlo raffreddare prima di effettuare la pulizia, l'ispezione o la regolazione.
- Le lame di taglio sono estremamente affilate. Per evitare lesioni, fare estrema attenzione durante le operazioni di pulizia o lavoro in zone vicine alle lame o all'interno della sede quando la scatola di raccolta viene rimossa. Indossare sempre guanti da lavoro protettivi.
- Ricordare che gli accessori di taglio si muoveranno ancora quando l'alimentazione viene arrestata o quando l'interruttore di interblocco è inserito.
- Per assicurarsi prestazioni ottimali da parte del prodotto, mantenerlo sempre pulito.
- Pulire il prodotto immediatamente dopo l'utilizzo. Ove possibile, utilizzare una spazzola dura all'interno dei tubi di alimentazione o scarico e un panno asciutto sulla parte esterna del prodotto.
- Non far asciugare e indurire il materiale su nessuna superficie del prodotto, in particolare sulle lame. Ciò influenzerà le prestazioni di triturazione.

- Assicurarsi che la tramoggia e il tubo di scarico siano puliti, rimuovendo dagli stessi eventuale materiale di scarico.
- Accertarsi che tutti i dadi, viti e bulloni (eccetto la vite di regolazione) siano ben serrati.
- Far riparare o sostituire sempre le parti danneggiate o consumate da personale qualificato presso un centro servizi autorizzato.
- Non tentare mai di bypassare gli interruttori di interblocco sulla scatola di raccolta o sul coperchio anteriore del gruppo lame.
- Evitare che sostanze come sostanze per freni, benzina, prodotti a base di petrolio, oli penetranti, ecc. entrino in contatto con parti in plastica. Non utilizzare mai liquidi per freni, benzina, prodotti a base di petrolio o altri solventi per pulire il prodotto. La maggior parte dei materiali plastici è soggetta a danni di vario tipo da solventi commerciali e può essere danneggiata dal contatto con gli stessi.
- Sarà possibile svolgere le operazioni di manutenzione indicate nel presente manuale. Per altre riparazioni, portare il prodotto presso un centro assistenza autorizzato.

## REGOLAZIONE DELLA PIASTRA DI FRANTUMAZIONE

- Se il prodotto non riesce a frantumare il materiale, la piastra di frantumazione potrebbe dover essere regolata o le lame essere affilate.
- Nel tempo, la piastra di frantumazione del prodotto deve essere regolata. Questa operazione può essere completata regolando la piastra di frantumazione in modo che entri in leggero contatto con le lame. Assicurarsi che il prodotto sia acceso e che funzioni nel normale senso in avanti.
- La regolazione della piastra di frantumazione a motore spento può causare gravi danni al prodotto.

**NOTA:** La regolazione della piastra di frantumazione deve essere effettuata solo se assolutamente necessario. La regolazione della piastra di frantumazione troppo frequente o eccessiva può causare l'interruzione del funzionamento del prodotto.

1. Mentre il prodotto è in funzione, ruotare il pomello di regolazione in senso orario.

2. Se si avverte contatto metallico o si vedono leggere schegge di alluminio nella parte inferiore del contenitore, arrestare la regolazione e consentire al prodotto di funzionare per 30 secondi. Ruotare quindi il pomello di regolazione in senso antiorario fino a quando non è più in contatto con la piastra di frantumazione, lasciando 1 mm di distanza.

**NOTA:** Completare qualsiasi regolazione con calma per evitare di danneggiare il prodotto. Regolare eccessivamente la piastra potrà causare gravi danni al prodotto.

### REGOLAZIONE DELLA PIASTRA DI FRANTUMAZIONE UTILIZZANDO LA MODALITÀ DI CALIBRAZIONE

**NOTA:** Assicurarsi che il prodotto sia spento.

1. Quando il prodotto è spento, premere il pulsante di modalità calibrazione e quindi il tasto di avvio. La lama inizierà la calibrazione.
2. Girare la manopola di regolazione della piastra di frantumazione in senso orario fino a quando il prodotto non si spegne.

**NOTA:** Ruotare la manopola in senso antiorario a 0,5 - 1,0 fino a quando la piastra di frantumazione e le lame non sono più in contatto.

3. Premere il tasto di avvio per rialimentare il materiale nel prodotto.

### FAMILIARIZZARE CON IL PRODOTTO

Vedere pagina 185.

1. Slot per batteria
2. Pulsante retromarcia
3. Pulsante modalità di calibrazione
4. Pulsante Arresta
5. Tubo di ingresso.
6. Tasto di avvio
7. Vano batterie
8. Manopola di regolazione piastra di frantumazione
9. Pulsante di sblocco telaio di metallo
10. Struttura in metallo
11. Linguetta
12. Asse
13. Pistone del materiale
14. Ruota
15. Perno di rottura
16. Rondella
17. Coprimozzo
18. Manuale dell'operatore
19. Chiave Torx
20. Contenitore di raccolta
21. Batteria
22. Caricatore

### SIMBOLI SUL PRODOTTO



Prima di utilizzare il prodotto leggere e comprendere tutte le istruzioni. Osservare tutte le avvertenze e le istruzioni di sicurezza.



Fare attenzione ad oggetti scagliati o lanciati dall'utensile. Tenere lontani tutti gli osservatori, soprattutto bambini e animali, ad almeno 15 m dalla zona di funzionamento.



Avvertenza! Scollegare la batteria prima della manutenzione, regolazione e pulizia.



Pericolo! Lame rotanti. Tenere mani e piedi lontani dalle aperture mentre il prodotto è in funzione.



Indossare protezione occhi e orecchie.



Non utilizzare come uno sgabello.



Attendere che tutti i componenti del prodotto si siano completamente arrestati prima di toccarli.



Livello di potenza acustica garantito



Indossare guanti di protezione resistenti e anti-scivolo.



Quando il prodotto è spento e lo scivolo è libero, premere il pulsante di calibrazione per iniziare la calibrazione della lama.



Premere per accendere e ripremere per cambiare velocità.



Tenere premuto il pulsante per la retromarcia.



Marchio di conformità europeo



Marchio di conformità britannico



Marchio di conformità EurAsian



Marchio di conformità ucraino



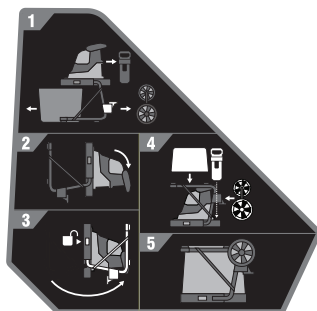
Modalità di calibrazione



Sovraccaricato



Contenitore di raccolta non inserito



1. Rimuovere l'assale della ruota, il contenitore di raccolta e il pistone.
2. Appoggiare il prodotto a terra con le maniglie abbassate.
3. Premere il pulsante di sblocco del telaio di metallo e piegare le gambe fino a quando non si bloccano in posizione.
4. Posizionare assale della ruota, contenitore di raccolta e pistone nelle loro posizioni di conservazione.
5. Conservare il prodotto in un'area fresca asciutta e ben areggiata.

Non smaltire le batterie scariche e altre apparecchiature elettriche ed elettroniche come normali rifiuti. Le batterie scariche e i dispositivi elettrici ed elettronici dovranno essere raccolti separatamente. Le batterie usate, gli accumulatori e le fonti luminose non più utilizzabili dovranno essere rimossi dall'apparecchiatura. Consultare l'autorità locale o il rivenditore per consigli sullo smaltimento e il punto di raccolta. In base alle normative locali i rivenditori potrebbero avere l'obbligo di riprendersi le batterie usate e le apparecchiature elettriche ed elettroniche gratuitamente. Il vostro contributo al riciclaggio delle batterie e delle apparecchiature elettriche ed elettroniche aiuta a ridurre la richiesta di materie prime. Le batterie usate, in particolare quelle che contengono litio e le apparecchiature elettriche ed elettroniche contengono materiali preziosi e riciclabili che potrebbero avere un impatto avverso sull'ambiente e la salute umana, se non smaltiti in un modo ecocompatibile. Eliminare i dati personali, se presenti, dalle apparecchiature da buttare.



## SIMBOLI NEL PRESENTE MANUALE



Parti o accessori venduti separatamente



Note



Avvertenze



Blocco



Sblocco

## RISOLUZIONE DEI PROBLEMI

PROBLEMA	CAUSA	AZIONE
Il motore non funziona.	Sovraccarico di temperatura	Lasciare che il prodotto si raffreddi per 15 minuti. Questo può verificarsi se la temperatura ambiente è alta e il prodotto è stato utilizzato senza interruzioni.
	Batteria	Controllare che il pacco batteria sia completamente carico, non abbia segni di ingresso acqua e non sia danneggiato. Controllare la batteria in un altro strumento per assicurarsi che funzioni correttamente.
	Contenitore di raccolta	Inserire il contenitore di raccolta in base alle etichette poste lateralmente sul contenitore e assicurarsi che sia completamente inserito con il blocco anteriore inserito.
Il materiale non viene inserito nello scivolo.	Piastra proteggilama per lama	Assicurarsi che tutti e 4 i bulloni che fissano la piastra proteggilama per lama siano completamente stretti.
	Il materiale si è inceppato nell'imbuto alimentatore.	Seguire le istruzioni sul manuale per rimuovere eventuali ostruzioni.
	La piastra di frantumazione è troppo lontana dalla lama di taglio.	Attenersi alle istruzioni presenti nel manuale per la frantumazione della piastra.

Veiligheid, prestaties en betrouwbaarheid hebben de hoogste prioriteit verkregen bij het ontwerp van uw snoerloze hakselaar.

## VOORGESCHREVEN GEBRUIK

De snoerloze hakselaar is ontworpen voor het versnipperen van organisch tuinafval, zoals takken, twijgen en bladeren.

Het product is bedoeld voor gebruik buitenshuis in een stationaire positie, bediend door een persoon die vast op de grond staat.

Het product is niet bedoeld voor niet-organisch materiaal, metaal of materiaal dat de maximale snijcapaciteit overschrijdt.

Het product moet op de meegeleverde standaard worden gemonteerd en moet met de meegeleverde opvangbak worden gebruikt. Het apparaat mag niet op een andere manier worden gemonteerd dan in deze handleiding getoond.

Gebruik het product niet voor andere doeleinden.

## ALGEMENE VEILIGHEIDSWAARSCHUWINGEN

**⚠ WAARSCHUWING!** Het product is niet geschikt voor gebruik door kinderen of personen met verminderde fysieke, mentale of zintuiglijke vermogens. Jonge kinderen moeten altijd onder toezicht staan van iemand anders dan de bediener om te verzekeren dat ze niet in de buurt van of met het product spelen.

**⚠ WAARSCHUWING!** Wanneer u het product gebruikt, moeten de basisveiligheidsvoorschriften worden nageleefd om het risico op brand, elektrische schok of letsels te verminderen. Lees zorgvuldig alle veiligheidsinstructies voor u het product bedient. Zorg ervoor dat u bekend bent met de bediening en het juiste gebruik van het product. Bewaar de gebruiksaanwijzing veilig voor later gebruik.

## OPLEIDING

- Zorg dat u vertrouwd bent met de instructies alvorens te proberen het apparaat te gebruiken.
- Laat kinderen of personen die niet vertrouwd zijn met deze instructies, het product gebruiken. Er kunnen plaatselijk leeftijdsbeperkingen gelden voor een gebruiker.
- De operator of gebruiker van het product is verantwoordelijk voor ongevallen of gevaren voor andere mensen of hun eigendom.

## VOORBEREIDING

- Gebruik de machine nooit wanneer zich mensen, in het bijzonder kinderen, en dieren in de buurt bevinden.
- Gebruik het product niet bij slechte weersomstandigheden, vooral niet als er kans op blikseminslag bestaat. Draag tijdens het gebruik van het product altijd gehoorbescherming en een veiligheidsbril.
- Terwijl u het product bedient, draagt u altijd stevig schoeisel en een lange broek. Gebruik de machine wanneer u blootsvoets bent of open sandalen draagt. Draag geen loszittende kledij of kledij met loshangende snoeren of touwen.
- Gebruik het product enkel in een open ruimte (bv. niet dichtbij een muur of een vast voorwerp) en op een stevig, vlak oppervlak.
- Gebruik de machine niet op een geasfalteerd of grintoppervlak waar uitgeworpen materiaal verwondingen kan veroorzaken.
- Voor u het product start, controleert u of alle schroeven, moeren, bouten en andere verbinders stevig vast zitten en dat de beschermers en opvangbak zijn geïnstalleerd. Breng het product naar een erkend servicecentrum om beschadigde onderdelen of onleesbare etiketten te laten vervangen.

## GEBRUIK EN VERZORGING VAN DE ACCU

- Herlaad enkel met de oplader die door de fabrikant is gespecificeerd. Een lader die geschikt is voor een bepaald type accu kan een risico vormen wanneer hij met een andere accu wordt gebruikt.
- Gebruik elektrisch gereedschap uitsluitend met de specifiek toegewezen accupacks. Het gebruik van andere accupacks kan leiden tot risico's op letsels en brand.
- Wanneer het accupack niet wordt gebruikt, moet u het weg houden van andere metalen objecten, zoals papierclips, munten, sleutels, spijkers, schroeven of andere kleine metalen voorwerpen die een verbinding kan maken van een terminal naar een andere. De batterijterminals kortsluiten kan leiden tot brandwonden of brand.
- Bij verkeerd gebruik kan vloeistof uit de batterij lekken; vermijd contact. Als per ongeluk contact wordt gemaakt, spoel dan met water. Schakel bovendien medische hulp in als er vloeistof in de ogen komt. Uit de accu afkomstige vloeistof kan irritatie of brandwonden veroorzaken.



- Gebruik geen beschadigde of gewijzigde accu of gereedschap. Beschadigde of gewijzigde accu's kunnen onvoorspelbaar gedrag vertonen en leiden tot brand, explosies, of het risico op letsel.
- Stel accu's of gereedschap niet bloot aan vuur of hoge temperaturen. Blootstelling aan vuur of temperaturen hoger dan 130 °C kan explosies veroorzaken.
- Volg alle laadinstructies en laad de accu of het apparaat niet op buiten het temperatuurbereik dat in de handleiding wordt aangegeven. Onjuist opladen of opladen bij temperaturen buiten het aangegeven bereik kan schade aan de accu veroorzaken en risico op brand verhogen.
- Wanneer u materiaal in het apparaat voert, wees dan uiterst voorzichtig en zorg dat er geen stukken metaal, stenen, flessen, blikjes of andere vreemde voorwerpen in terecht komen.
- Wanneer het versnippermechanisme tegen een vreemd voorwerp slaat of als het product ongewone geluiden of trillingen produceert, dient u het product uit te schakelen en de snijmesses helemaal tot stilstand te laten komen. Accupack verwijderen. Voer de volgende stappen uit:
  - Inspecteer het product grondig op schade.
  - Controleer alle losse onderdelen van het product en zet ze vast.
  - Vervang of repareer beschadigde onderdelen

## ONDERHOUD

- Laat uw elektrisch gereedschap onderhouden door een gekwalificeerd onderhoudspersoon en gebruik hierbij uitsluitend identieke vervangonderdelen. Dit zal ervoor zorgen dat de veiligheid van het werktuig wordt behouden.
- Beschadigde accu's mogen niet worden onderhouden. Onderhoud van accu's mag uitsluitend worden uitgevoerd door de fabrikant of erkende dienstverleners.
- Laat verwerkt materiaal zich niet ophopen in de uitlaatschuif aangezien dit kan verhinderen dat het afval wordt uitgestoten of een blokkering kan veroorzaken die leidt tot terugslag van materiaal door de voedingsinlaatopening.
- Als het product verstopt raakt, schakel dan het product uit en laat de snijmesses helemaal tot stilstand komen. Verwijder de accu alvorens vuil te verwijderen.

## VEILIGHEIDSWAARSCHUWINGEN VOOR DE SNOERLOZE HAKSELAAR

- Wanneer u het product klaarmaakt voor gebruik, zorg ervoor dat het product is vastgemaakt zodat het niet omvalt. Als het product te snel wordt uitgeschakeld, kunnen resterende stukjes materiaal de mesconstructie verstoppen en de motor blokkeren wanneer het product weer wordt ingeschakeld.
- Kijk alvorens het apparaat te starten in de aanvoerkamer om er zeker van te zijn dat deze leeg is.
- Houd uw gezicht en lichaam weg van de voedingsinlaatopening.
- Plaats uw handen of enig ander lichaamsdeel of kledingsstuk niet in de voedingskamer, uitlaatklep of in de buurt van een bewegend deel.
- Wees altijd zeker de manier waarop u staat. Ga altijd stevig op uw benen staan en reik niet te ver weg met uw arm. Overrek u niet. Ga nooit hoger staan dan de onderkant van het apparaat wanneer u er materiaal in voert. Loop gewoon, ga nooit rennen.
- Blijf altijd uit de buurt van de afvoerzone wanneer u het product gebruikt.
- Gebruik het product nooit als de beschermers, deksels, opvangbak of andere veiligheidsvoorzieningen defect zijn, zich niet op hun plaats bevinden of niet goed werken.
- Het product mag niet worden bewogen of getransporteerd terwijl het product in werking is.
- Schakel de stroomvoorziening uit en verwijder de accu. Zorg ervoor dat alle bewegende delen volledig tot stilstand zijn gekomen:
  - voordat u het product onbewaakt achterlaat
  - voordat u een obstructie verwijdert
  - voordat u het product controleert, reinigt of er werkzaamheden aan verricht
- Kantel het product niet terwijl het in werking is.
- Verwondingen kunnen ontstaan, of verergeren, door langdurig gebruik van het product. Wanneer u het product voor langere tijd achtereen gebruikt, neem dan regelmatig een pauze.
- Het apparaat op geen enkele wijze aanpassen of reserveonderdelen gebruiken die niet worden aanbevolen door de fabrikant. Dit kan het risico op ernstig letsel aan uzelf of anderen verhogen.

- Zorg ervoor dat de ventilatieopeningen te allen tijde vrij van vuil worden gehouden. De motor kan oververhit geraken, wat kan leiden tot schade aan het product of het risico op vuur kan verhogen.
- Schakel het product uit voor u de verzamelbak probeert te monteren of verwijderen.
- Schakel het apparaat onmiddellijk uit en verwijder de accu in geval van een ongeluk of defect. Gebruik het product niet opnieuw totdat het volledig is gecontroleerd door een erkend onderhoudscentrum.

## VERHAKSELGIDS

Voor beste verhakselresultaten, volgt u de richtlijnen in de onderstaande tabel.

MATERIAAL	VERHAKSELMETHODE
Takken tot 40 mm diameter.	Maai alle zijbegroeiing met de snoeischaar voor u het in de voedingslade inbrengt.
Het perken van planten, onkruid en struikgewas.	Sla grond en stenen van de wortels om schade aan de snijbladen te voorkomen.
Vers gesnoeide bladeren, struiken en tuinafval (vb. koolbladeren, groentenschillen, etc.)	Met materiaal dat een hoge vochtigheidsgraad heeft, is het aangewezen om regelmatig drogere stokken te voeden om het materiaal door het snijmechanisme te helpen duwen en verstoppingen te voorkomen.
Droge stokken en twijgen	Door deze aan het einde van uw hakselwerk in te voeren, helpt dit om het vocht en plantensap aan de binnenkant van het product en snijmechanisme te reinigen.

- Laat tuinafval zich niet ophopen voor het verhakselen aangezien het zal beginnen composteren, te vochtig wordt en vastklipt in het verhakselmechanisme. Droog materiaal zal

helpen om ander materiaal uit de uitlaatklep te verwijderen. Bewaar enkele droge stokken tot het laatst om te helpen de snijbladen vrij te maken.

- Controleer regelmatig of er een ophoping van versnipperd materiaal ontstaat.
- Wanneer de opvangbak vol is, schakelt u het product UIT voor u het leegmaakt.
- Wanneer u lange, houten takken/stammen in het product voedt, dient u voorzichtig te zijn voor zweepslagen en trillingen aangezien zij door de snijbladen worden vastgegrepen. De bediener moet gezichtsbescherming dragen wanneer hij het product gebruikt.
- Het snijmechanisme heeft de neiging om takken/stammen in het product te trekken. Probeer materiaal dat wordt verhakselend niet tegen te houden eens het in de machine wordt gevoerd. Draag altijd handschoenen om snijwonden te voorkomen wanneer u materiaal in het product voedt.
- Bij normaal gebruik, schakel het product niet uit tot al het versnipperde materiaal weg is uit de versnipperaar. Als het product te snel wordt uitgeschakeld, kunnen resterende stukjes materiaal de mesconstructie verstoppen en de motor blokkeren wanneer het product weer wordt ingeschakeld.

## TRANSPORT EN OPSLAG

- Schakel het apparaat uit, verwijder de accu en laat ze allebei afkoelen alvorens deze op te bergen of te verplaatsen.
- Zorg ervoor dat het product grondig werd schoongemaakt voor u het op een schone, droge plaats bewaart, buiten het bereik van kinderen.
- Voor transport beveiligd u het product tegen bewegingen of vallen om letsels of schade aan het product te voorkomen.

## LITHIUMBATTERIJEN TRANSPORTEREN

Vervoer de accu in overeenstemming met de plaatselijke en nationale bepalingen en voorschriften.

Volg alle speciale voorschriften voor verpakking en etikettering wanneer u accu's door een derde laat vervoeren. Zorg ervoor dat de accu's tijdens het transport niet in contact komen met andere batterijen of geleidende materialen door blootliggende connectoren met isolerende, niet-geleidende doppen of plakband te beschermen. Vervoer geen accu's die gebarsten zijn of lekken. Neem contact op met het expeditiebedrijf voor verder advies.

## EXTRA WAARSCHUWINGEN BATTERIJVEILIGHEID

- Dompel uw accu of oplader nooit onder in vloeistof en laat er nooit vloeistof instromen, zulks om het risico op brand, persoonlijk letsel en productschade door kortsluiting te verminderen. Bijtende of geleidende vloeistoffen, zoals zeewater, bepaalde industriële chemicaliën en bleekmiddelen of chloorhoudende producten, etc., kunnen kortsluiting veroorzaken.
- Laad de accu op op een locatie met een omgevingstemperatuur van 10 °C tot 38 °C.
- Bewaar de accu op een locatie met een omgevingstemperatuur van 0 °C tot 20°C.
- Gebruik de accu op een locatie met een omgevingstemperatuur van 0 °C tot 40 °C.

## ONDERHOUD

- Gebruik alleen originele vervangingsonderdelen, accessoires en hulpstukken van de fabrikant. Doet u dat niet, dan kan dat mogelijke verwondingen veroorzaken, bijdragen tot slechte prestaties en kan uw garantie vervallen.
- Alvorens het product te reinigen, inspecteren of onderhouden, dienen de messen volledig tot stilstand te zijn gekomen en de accu zijn verwijderd. Nadat u zekere tijd hebt gehakseld, wordt het snijmechanisme warm. Laat het afkoelen alvorens te reinigen, inspecteren of instellen.
- De snijmesses zijn uiterst scherp. Om letsels te voorkomen, dient u uiterst voorzichtig te zijn tijdens het onderhoud of wanneer u in de buurt van de snijbladen of in een geopende holte werkt wanneer de opvangbak is verwijderd. Draag altijd stevige veiligheidshandschoenen.
- Houd rekening met het feit dat de messen nog steeds kunnen bewegen wanneer de stroom is uitgeschakeld of de vergrendelschakelaar is geactiveerd.
- Om de beste prestaties van uw product te verzekeren, moet het schoon worden gehouden.
- Reinig het product altijd onmiddellijk na gebruik. Waar mogelijk, gebruikt u een harde borstel in de voedings- en uitlaatrechter en een droge doek aan de buitenkant van het product.
- Laat geen materiaal droog en hard worden op een van de oppervlakken van het product, en in het bijzonder op de messen. Dit zal het verhakselvermogen rechtstreeks beïnvloeden.

- Zorg ervoor dat de laadtrechter en de uitlaatklep schoon worden gehouden en vrij van alle afval.
- Zorg ervoor dat alle moeren, bouten en schroeven (behalve de stelschroef) goed zijn aangedraaid en stevig vastzitten.
- Laat beschadigde of versleten onderdelen altijd herstellen of vervangen door gekwalificeerd personeel in een geautoriseerd onderhoudscentrum.
- Probeer de vergrendelschakelaar op de opvangbak of aan het voorste deksel van de snijmesses te overbruggen.
- Laat op geen elk moment remvloeistoffen, benzine, producten op petroleumbasis, penetrerende oliën, etc. in contact komen met kunststof onderdelen. Gebruik nooit remvloeistoffen, benzine, producten op petroleumbasis of oplosmiddelen om het apparaat te reinigen. De meeste soorten plastic zijn gevoelig voor schade, veroorzaakt door verschillende soorten commerciële oplosmiddelen en kunnen door hun gebruik worden beschadigd.
- U mag de onderhoudswerken uitvoeren die in deze gebruiksaanwijzing zijn beschreven. Voor andere reparaties moet het product door een erkend servicecentrum worden gerepareerd.

## AFSTELLEN VAN DE BREEKPLAAT

- Als het product er niet in slaagt materiaal te versnipperen, moet de breekplaat wellicht worden bijgesteld of moeten de messen worden geslepen.
- Na verloop van tijd moet de breekplaat van het apparaat opnieuw worden afgesteld. Dit kan gebeuren door de breekplaat zodanig af te stellen dat ze lich contact maakt met de messen. Zorg ervoor dat het product is ingeschakeld en werkt in normale, voorwaartse richting.
- Het aanpassen van de breekplaat terwijl de motor is uitgeschakeld kan leiden tot ernstige schade aan het product.

**OPMERKING:** Afstellen van de breekplaat mag enkel worden geprobeerd wanneer dit absoluut nodig is. Het te vaak of te ver aanpassen van de breekplaat kan ertoe leiden dat het product niet meer werkt.

1. Terwijl het product in werking is, draai de instelknop rechtsom.

2. Wanneer u geluid van metaal op metaal hoort, of u ziet fijne aluminiumschilfers op de bodem van de opvangbak, stop dan de afstelling en laat het apparaat 30 seconden draaien. Draai dan de instelknop een halve tot een hele toer linksom tot deze niet meer in contact is met de breekplaat, en laat een spatie van 1 mm.

**OPMERKING:** Voer elke afstelling voorzichtig uit om te vermijden dat het product beschadigd raakt. Wanneer u de plaat teveel afstelt, kan dit leiden tot ernstige schade aan het product.

## DE BREEKPLAAT AFSTELLEN MET BEHULP VAN DE KALIBRATIEMODUS

**OPMERKING:** Zorg ervoor dat het product is uitgeschakeld.

1. Als het product is uitgeschakeld, houdt u de knop voor de kalibratiemodus ingedrukt en drukt u vervolgens op de startknop. Het mes zal de kalibratie beginnen.
  2. Draai de instelknop voor de breekplaat rechtsom tot het product uitschakelt.
- OPMERKING:** Draai nu de knop een halve tot een hele toer linksom totdat de breekplaat en de messen geen contact meer maken.
3. Druk op de startknop om materiaal in het product in te voeren.

## KEN UW PRODUCT

Zie pagina 185.

1. Accusleuf
2. Knop voor achterwaarts
3. Knop voor kalibratiemodus
4. Stopknop
5. Voedingsklep
6. Startknop
7. Accudeur
8. Stelknop voor breekplaat
9. Ontgrendelingsknop voor metalen frame
10. Metalen kader
11. Knipsluiting
12. As
13. Materiaalzuiger
14. Wiel
15. Splitpen
16. Sluistring
17. Naafafdekking
18. Gebruikershandleiding
19. Torx-sleutel
20. Opvangbak
21. Accu
22. Oplader

## SYMBOLEN OP HET PRODUCT



Zorg ervoor dat u alle instructies op het product en in deze handleiding leest, begrijpt en uitvoert voordat u het product gebruikt. Volg alle waarschuwingen en veiligheidsinstructies.



Pas op voor rondvliegende voorwerpen. Houd alle omstanders op tenminste 15 m afstand van de werkomgeving, vooral kinderen en huisdieren.



Waarschuwing! Koppel de accu af vóór onderhoud, instellen of reinigen.



Gevaar! Draaiende messen. Houd handen en voeten weg van openingen terwijl het product loopt.



Draag gezichts- en oorbescherming.



Gebruik niet als opstap.



Wacht tot alle onderdelen van het apparaat volledig stilstaan alvorens ze aan te raken.



Gewaarborgd geluidsvermogensniveau



Draag zware antislip beschermhandschoenen.



Wanneer het product is uitgeschakeld en de goot leeg is, drukt u op de kalibratieknop om de messen te kalibreren.



Druk om in te schakelen en druk opnieuw om de snelheid te veranderen.



Houd de knop ingedrukt om het product in achteruit te laten werken.



CE-markering



Brits conformiteitskeurmerk



EurAsian-symbool van overeenstemming



Oekraïens conformiteitskeurmerk



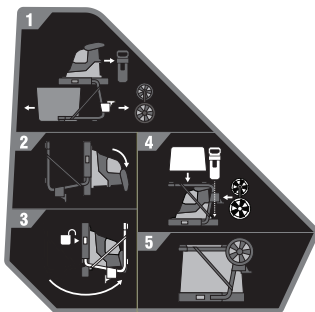
Kalibratiemodus



Overbelast



Opvangbak is niet geplaatst



1. Verwijder de wielas, bak en plunjer.
2. Leg het product op de grond met de hendels naar beneden.
3. Druk op de ontgrendelknop voor het metalen frame en klap de poten omhoog tot ze vastklikken.
4. Plaats de wielas, bak en plunjer in hun opslaglocaties.
5. Bewaar het product in een koele, droge en goed geventileerde ruimte.

Gooi afgedankte elektrische en elektronische apparatuur niet weg als ongesorteerd gemeentelijk afval. Afgedankte elektrische en elektronische apparatuur moet afzonderlijk worden ingezameld. Afvalbatterijen, afvalaccu's en lichtbronnen moeten uit de apparatuur worden verwijderd. Neem contact op met uw gemeente of winkelier voor advies over recycling en het inzamelpunt. Volgens de plaatselijke voorschriften kunnen winkeliers verplicht zijn afgedankte elektrische en elektronische apparatuur kosteloos terug te nemen. Uw bijdrage aan hergebruik en recycling van afgedankte batterijen en afgedankte elektrische en elektronische apparatuur helpt de vraag naar grondstoffen te verminderen. Afgedankte batterijen, in het bijzonder deze die lithium bevatten, en afgedankte elektrische en elektronische apparatuur bevatten waardevolle en recycleerbare materialen, die een negatief effect kunnen hebben op het milieu en de volksgezondheid, indien ze niet op een milieuvriendelijke manier worden verwijderd. Verwijder eventuele persoonlijke gegevens van afgedankte apparatuur.



### SYMBOLEN IN DEZE GEBRUIKSAANWIJZING



Onderdelen of accessoires worden apart verkocht



Opmerking



Waarschuwing



Vergrendeling



Ontgrendelen

PROBLEEMOPLOSSEN		
PROBLEEM	REDEN	ACTIE
Motor draait niet.	Overbelasting door warmte	Laat het product gedurende 15 minuten afkoelen. Dit kan gebeuren wanneer de omgevingstemperatuur hoog is en het product continu en zonder onderbreking is gebruikt.
	Accu	Controleer of de accu volledig geladen is, geen tekenen van waterindringing vertoont en niet beschadigd is. Test de accu in een ander apparaat om zeker te zijn dat ze correct werkt.
	Opvangbak	Plaats de opvangbak volgens de etiketten op de zijkant van de bak en zorg ervoor dat deze volledig is ingebracht met het voorste slot ingeschakeld.
	Afdekplaat van het mes	Zorg ervoor dat de 4 bouten voor de bevestiging van de afdekplaat van het mes goed aangespannen zijn.
Materiaal wordt niet in de goot gevoerd.	Het materiaal zit vast in de voedingstunnel.	Volg de instructies in de gebruiksaanwijzing om obstructies te verwijderen.
	De breekplaat is te ver van het snijblad.	Volg de instructies in de handleiding voor het aanspannen van de breekplaat.

No design da sua trituradora sem fios, demos prioridade à segurança, ao desempenho e à fiabilidade.

## USO PREVISTO

A trituradora sem fios foi concebida para fazer a redução de materiais residuais orgânicos de jardim, como por exemplo, ramagens, raminhos e folhagem.

O produto destina-se a ser utilizado ao ar livre, numa posição imóvel, por um operador com os pés assentes diretamente no chão.

O produto não se destina a material não orgânico, metal ou material que exceda a respetiva capacidade de corte máxima.

O produto deve ser montado no suporte fornecido e deve ser usado com a caixa de recolha fornecida. O dispositivo não deve ser montado de qualquer outro modo que não o exibido neste manual.

Não a use para nenhuma outra finalidade.

## AVISOS GERAIS DE SEGURANÇA

**⚠ ADVERTÊNCIA!** O produto não deve ser utilizado por crianças nem por pessoas com capacidades físicas, mentais ou sensoriais reduzidas. Assegure-se de que as crianças se encontram vigiadas em o todo momento, por outra pessoa que não o operador da máquina, e que não brincam perto da máquina.

**⚠ ADVERTÊNCIA!** Ao utilizar o dispositivo deve adoptar medidas básicas de segurança para reduzir o risco de incêndio, choque eléctrico e lesões. Antes de manipular este produto, Lea atentamente as instruções de segurança. Familiarize-se com os controlos e a utilização adequada do aparelho. Guarde as instruções para usá-las no futuro.

## FORMAÇÃO

- Antes de tentar utilizar o produto, familiarize-se com as instruções.
- Nunca permita que crianças ou pessoas que não estejam familiarizadas com estas instruções utilizem o produto. A legislação local pode restringir a idade do operador.
- O operador ou o utilizador do produto é responsável por acidentes ou perigos que ocorram a outras pessoas ou propriedade.

## PREPARAÇÃO

- Nunca coloque a máquina a funcionar quando pessoas, especialmente crianças ou animais de estimação estão por perto.
- Não utilize o produto em condições meteorológicas adversas, especialmente se existir o risco de trovoadas. Use proteção auditiva e óculos de proteção sempre que utilizar o produto.
- Durante o funcionamento do produto, use sempre calçado forte e calças longas. Não opere a máquina se estiver descalço ou se usar sandálias. Evite usar roupa larga ou com cordões ou laços.
- Utilize o produto apenas em espaços abertos (por exemplo, não utilize junto a uma parede ou objeto fixo) e numa superfície firme e nivelada.
- Não ponha a máquina funcionar numa superfície pavimentada ou com grilha onde o material ejetado possa causar lesões.
- Antes de colocar o dispositivo em funcionamento verifique se todos os parafusos, porcas, parafusos e outros fixadores estão devidamente apertados e se as proteções e caixa de recolha estão no sítio. Entregue o produto num centro de assistência autorizado para substituir peças danificadas ou etiquetas ilegíveis.

## CUIDADOS E MANUTENÇÃO DA FERRAMENTA DA BATERIA

- Recarregue apenas com o carregador especificado pelo fabricante. Um carregador que seja adequado para um tipo de bateria poderá criar riscos se utilizado com outras baterias.
- Use ferramentas eléctricas somente com baterias especificamente concebidas. O uso de qualquer outro tipo de bateria pode causar risco de lesões e incêndio.
- Quando a bateria não estiver a ser utilizada, mantenha-a afastada de outros objectos metálicos como cliques de papel, moedas, chaves, pregos, parafusos, ou outros pequenos objectos metálicos que podem fazer a ligação de um terminal para outro. Ligar os terminais da bateria em conjunto pode causar queimaduras ou um incêndio.
- Sob circunstâncias abusivas, o líquido pode ser ejetado da bateria, evite o contacto. Se o contacto ocorrer acidentalmente, limpe com água abundante. Se o líquido entrar em contacto com os olhos, procure adicionalmente

assistência médica. O líquido ejetado da bateria pode causar irritação ou queimaduras.

- Não use um conjunto de baterias ou uma ferramenta que tenha sido sofrido danos ou modificações. Baterias danificadas ou modificadas podem ter um comportamento imprevisível, resultando em incêndio, explosão ou risco de ferimentos.
- Não exponha um conjunto de baterias nem uma ferramenta ao fogo ou a temperaturas excessivas. A exposição ao fogo ou a temperaturas acima de 130 °C pode causar uma explosão.
- Siga todas as instruções de carregamento e não carregue o conjunto de baterias ou à ferramenta fora da amplitude de temperaturas especificada nas instruções. O carregamento feito de forma incorrecta ou sob temperaturas fora da amplitude especificada pode danificar a bateria e aumentar o risco de incêndio.

## MANUTENÇÃO

- A manutenção da sua ferramenta eléctrica deve ser efectuada por uma pessoa qualificada para reparações, utilizando apenas peças de substituição idênticas. Isto assegurará que a segurança da ferramenta eléctrica é mantida.
- Nunca tente reparar nem fazer manutenção a conjuntos de baterias danificados. A reparação e manutenção de conjuntos de baterias só deve ser feita pelo fabricante ou por um centro de assistência autorizado.

## AVISOS DE SEGURANÇA DA TRITURADORA SEM FIOS

- Durante a preparação do produto para utilização, certifique-se de que o mesmo estão fixo para não tombar. Se o produto for desligado demasiado rapidamente, os pedaços de material restantes podem obstruir o conjunto de lâminas e parar o motor quando o produto for ligado novamente.
- Antes de ligar o produto, observe a câmara de alimentação para garantir que está vazia.
- Mantenha a sua cara e corpo longe da abertura de alimentação.
- Não permita que as mãos ou qualquer outra parte do corpo ou a roupa aceda ao interior da câmara de alimentação, tubo de descarga, ou esteja perto de qualquer parte móvel.

- Assegure-se sempre do seu equilíbrio. Fique sempre bem apoiado nas pernas e não estique demasiado o braço. Não se aproxime em demasia. Nunca permanecer num nível superior à base do produto ao colocar material no seu interior. Ande e nunca corra.
- A utilizar o produto, mantenha sempre a distância em relação à zona de descarga.
- Ao colocar material no produto, exerça extremo cuidado para não incluir pedaços de metal, rochas, garrafas, latas ou outros objetos estranhos.
- Se o mecanismo de corte atingir quaisquer objetos estranhos, ou se o produto começar a fazer ruídos estranhos ou vibrações anormais, desligue o produto e deixe os cortadores pararem completamente. Retire a bateria. Siga estes passos:
  - Inspeccione cuidadosamente o produto quanto à existência de danos.
  - Verifique e aperte todas as peças soltas do produto.
  - substitua ou repare qualquer peça danificada
- Não permita a acumulação de material processado na manga de descarga, dado que isto pode impedir uma descarga adequada e provocar um ressalto no material através da abertura de admissão.
- Se o produto ficar obstruído, desligue-o e permita que os cortadores parem por completo. Retire a unidade da bateria antes de limpar os resíduos.
- Nunca opere o produto se as proteções, tampas, caixa de recolha ou outros dispositivos de segurança estiverem danificados, não estiverem no lugar ou não funcionarem corretamente.
- Não desloque nem transporte o produto em funcionamento.
- Desligue com o interruptor e desmonte o conjunto de baterias. Certifique-se de que todas as peças em movimento pararam completamente:
  - antes de deixar o produto desacompanhado
  - antes de desobstruir bloqueios
  - antes de verificar, limpar ou funcionar com o produto
- Não incline o produto enquanto estiver em funcionamento.
- O uso prolongado de uma ferramenta pode causar o agravar lesões. Sempre que utilizar o produto durante períodos de tempo prolongados, certifique-se de que faz intervalos regulares.



- Não modifique a máquina em qualquer forma nem use peças e acessórios que não sejam recomendados pelo fabricante. Poderá aumentar o risco de ferimentos graves para si ou para terceiros.
- Certifique-se sempre de que as aberturas de ventilação são mantidas desimpedidas de resíduos. O motor poderá sobreaquecer, resultando em possíveis danos no produto ou aumentar o risco de incêndio.
- Desligue o produto antes de colocar ou retirar o recipiente de recolha.
- Em caso de acidente ou avaria, desligue de imediato e retire a bateria. Não volte a operar o produto enquanto não tiver sido totalmente verificado por um centro de assistência autorizado.
- Não permita a acumulação de resíduos no jardim antes de iniciar a operação de corte, dado que estes darão início à decomposição, ficarão húmidos e entupirão o conjunto de corte. O material seco ajudará a maior parte do material a sair da manga de ejeção. Guarde alguns paus secos até ao fim para ajudar a limpar a área da lâmina.
- Monitorize frequentemente a acumulação de material triturado.
- Quando a caixa de recolha estiver cheio, desligue o aparelho antes de o despejar.
- Ao alimentar ramos/caules compridos no dispositivo tenha cuidado com os açoites e vibrações produzidos à medida que estes são apanhados pelo cortador. O operador deve usar óculos de proteção sempre que utilizar o produto.

## GUIA DE CORTE

Para obter os melhores resultados ao aparar siga as instruções que se mostram na tabela abaixo.

MATERIAL	MÉTODO DE CORTE
Ramos até 40 mm de diâmetro.	Apare todas as pontas laterais com tesouras próprias antes de as colocar na câmara de trituração.
Plantas de canteiro, ervas e arbustos	Desfaça terra e afaste pedras das raízes para evitar danos nas lâminas.
Folhas recém-cortadas, cobertura e resíduos de cozinha (isto é, folhas de couve, cascas de legumes, etc.)	Dado que algum material tem um elevado teor de humidade é aconselhável deixar entrar alguns paus secos em intervalos regulares para ajudar a empurrar o material através do conjunto de corte e evitar o bloqueio do mesmo.
Varas secas e galhos	Ao inseri-los no final da sua tarefa de trituração, irá ajudar a limpar a humidade e seiva da planta de dentro do produto e do conjunto de corte.

- O dispositivo de corte tem tendência para puxar os ramos/caules para o aparelho. Não tente impedir a admissão de material em corte quando a alimentação se iniciar. Use sempre luvas para evitar lacerações na pele ao contactar o material com o produto.
- Durante a utilização normal, não desligue o produto sem que todo o material triturado tenha sido retirado do conjunto de cortadores. Se o produto for desligado demasiado rapidamente, os pedaços de material restantes podem obstruir o conjunto de lâminas e parar o motor quando o produto for ligado novamente.

## TRANSPORTE E ARMAZENAMENTO

- Desligue o produto, retire a bateria e permita que arrefeçam antes de transportar ou arrumar.
- Assegure-se que o produto foi bem limpo antes de o guardar num local limpo, seco e fora do alcance de crianças.
- Para o transporte, segure o produto para não se mover nem cair e evitar assim lesionar alguém ou danificar o produto.

## TRANSPORTE DE BATERIAS DE LÍTIU

Transporte as baterias em conformidade com as disposições e regulamentos locais e nacionais.

Siga todos os requisitos especiais na embalagem e rótulos ao transportar baterias por um terceiro. Certifique-se de que nenhuma bateria pode entrar em contato com outras baterias ou materiais condutores durante o transporte protegendo os conectores expostos com tampas ou fita isoladora e não condutora. Não transporte baterias que estejam rachadas ou com fugas. Confirme com a empresa de envio para mais conselhos.

## AVISOS DE SEGURANÇA ADICIONAIS DAS BATERIAS

- Para reduzir o risco de incêndio, ferimentos pessoais e danos ao produto causados por curto-circuito, nunca coloque o produto, o conjunto de baterias ou o carregador dentro de qualquer líquido, nem deixe que sejam penetrados por qualquer líquido! Líquidos corrosivos ou condutivos como água salgada, determinadas substâncias químicas e produtos que contenham branqueadores podem causar um curto-circuito.
- Carregue a bateria num local em que a temperatura ambiente se situe entre 10 °C e 38 °C.
- Guarde a bateria num local em que a temperatura ambiente se situe entre 0 °C e 20 °C.
- Utilize a bateria num local em que a temperatura ambiente se situe entre 0 °C e 40 °C.

## MANUTENÇÃO

- Utilize apenas peças de substituição, acessórios e encaixes do fabricante original. A inobservância desta indicação pode causar um fraco desempenho, possíveis lesões e poderá anular a sua garantia.
- Antes de fazer a limpeza, inspeção ou manutenção ao produto, desligue o produto, deixe os cortadores pararem completamente e retire a bateria. Depois de algum tempo de trituração, o mecanismo de corte vai ficar quente. Permita que arrefeça antes de limpar, inspecionar ou regular.
- As lâminas são extremamente afiadas. Para evitar lesões, tenha muito cuidado e atenção ao limpar ou trabalhar junto às lâminas ou dentro do recinto aberto quando retira a caixa de recolha. Use sempre luvas de proteção.
- Tenha atenção porque os meios de corte podem mover-se mesmo com a electricidade desligada ou se o interruptor de intertravamento estiver ativado.
- Para garantir o melhor desempenho do produto, este deve ser mantido limpo.
- Limpe sempre o produto imediatamente após a utilização. Sempre que possível, use uma escova dura no interior das calhas de alimentação e de descarga e um pano seco no exterior do produto.
- Não permita que o material fique seco e duro em qualquer das superfícies do produto, mas, particularmente, nas lâminas. Isto irá afetar diretamente o desempenho de corte.
- Certifique-se de que o funil de alimentação e a calha de ejeção são mantidos limpos e livres de todos os materiais de resíduos.

- Certifique-se de que todas as porcas, pernos roscados e parafusos (exceto o parafuso de afinação) são mantidos bem apertados e em segurança.
- Repare ou substitua sempre as peças danificadas ou partidas por pessoal qualificado num centro de serviço autorizado.
- Nunca tente ultrapassar os interruptores de intratamento na caixa de recolha ou na proteção frontal do conjunto de corte.
- Nunca, em qualquer momento, deixe que fluidos de travagem, gasolina, produtos petrolíferos, óleos de perfuração, etc., entrem em contacto com as peças de plástico. Nunca utilize fluidos de travão, gasolina, produtos à base de petróleo ou quaisquer solventes para limpar o produto. A maioria dos plásticos é susceptível de sofrer danos de vários tipos de solventes comerciais e podem ser danificados pelo seu uso.
- Pode efetuar as tarefas de manutenção que se descrevem neste manual. Para outras reparações, entregue o seu produto a um centro de assistência autorizado.

## REGULAR A PLACA DE ESMAGAMENTO

- Se o produto não tritura o material, a placa de esmagamento poderá ter de ser regulada ou poderá ser necessário afiar as lâminas.
- Com o passar do tempo, a placa de esmagamento do produto tem de ser regulada. Pode fazê-lo, regulando a placa de modo a que entre em leve contacto com as lâminas. Certifique-se de que o produto está ligado e a funcionar na direção para a frente normal.
- Regular a placa de esmagamento com o motor desligado pode resultar em danos graves no produto.

**NOTA:** Só deve tentar regular a placa de esmagamento quando for estritamente necessário. Regular a placa de esmagamento com demasiada frequência ou distância pode fazer com que o produto deixe de trabalhar.

1. Com o produto em funcionamento, rode o botão de ajuste para a direita.
2. Se ouvir o contacto de metal com metal ou vir aparas de alumínio no fundo do recipiente de recolha, para a regulação e permita que o produto funcione durante 30 segundos. Em seguida, rode o botão de ajuste para a esquerda com meia ou uma volta até deixar de estar em contacto com a placa de esmagamento, deixando um espaço de 1 mm.

**NOTA:** Qualquer ajuste deve ser feito lentamente para evitar danificar o produto. Se a placa inferior for excessivamente ajustada, pode causar danos importantes no produto.

## REGULAR A PLACA DE ESMAGAMENTO UTILIZANDO O MODO DE CALIBRAÇÃO

**NOTA:** Certifique-se de que o produto está no estado desligado.

1. Quando o produto estiver desligado, mantenha premido o botão do modo de calibração e, em seguida, prima o botão de início. A lâmina é iniciada para começar a calibração.
2. Rode o botão para regular a placa de esmagamento até o produto desligar.

**NOTA:** Rode o botão para a esquerda meia ou uma volta até que a placa de esmagamento e as lâminas deixem de estar em contacto.

3. Prima o botão de início para voltar a colocar material no produto.

## CONHEÇA O SER APARELHO

Ver a página 185.

1. Ranhura da bateria
2. Botão de inversão
3. Botão do modo de calibração
4. Botão Parar
5. Manga de alimentação
6. Botão de início
7. Porta da bateria
8. Botão para regular a placa de esmagamento
9. Botão de libertação da estrutura de metal
10. Estrutura de metal
11. Lingueta
12. Eixo
13. Êmbolo do material
14. Roda
15. Cavilha dividida
16. Arruela
17. Tapa do cubo
18. Manual do operador
19. Chave Torx
20. Recipiente de recolha
21. Bateria
22. Carregador

## SÍMBOLOS NO PRODUTO



Antes de utilizar este produto, leia e compreenda todas as instruções neste Manual. Siga todos os avisos e todas as instruções de segurança.



Tenha cuidado com os objectos voláteis ou lançados. Mantenha todos os espectadores, especialmente crianças e animais de estimação, a pelo menos 15 m da área de funcionamento.



Advertência! Desligue a bateria antes de proceder a quaisquer tarefas de manutenção, regulação e limpeza.



Perigo! Lâminas rotativas. Mantenha as mãos e os pés afastados das aberturas enquanto o aparelho está em funcionamento.



Utilize protecção ocular e auditiva.



Não utilize como degrau.



Aguarde até que os componentes do produto parem completamente antes de lhes tocar.



Nível de potência sonora garantido



Utilize luvas protectoras antideslizantes resistentes.



Quando o produto estiver desligado e o dispositivo de descarga desimpedido, prima o botão de calibração para iniciar a calibração da lâmina.



Prima para ligar e prima novamente para alternar entre as várias velocidades.



Mantenha o botão premido para operar no modo invertido.



Marca europeia de conformidade



Marca britânica de conformidade



Marca de conformidade EurAsian



Marca ucraniana de conformidade



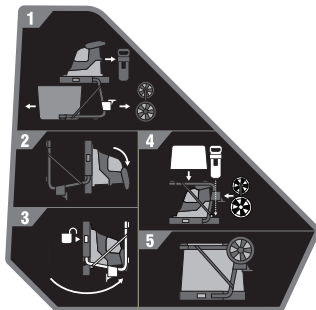
Modo de calibração



Sobrecarga



O recipiente de recolha não está inserido



1. Retire o eixo da roda, o recetáculo e o êmbolo.
2. Deite o produto no chão com as pegas para baixo.
3. Prima o botão de libertação da estrutura metálica e dobre as pernas para cima até encaixarem na posição.
4. Coloque o eixo da roda, o recetáculo e o êmbolo nas respetivas posições de armazenamento.
5. Guarde o produto numa área fresca, seca e bem ventilada.

Não elimine baterias, pilhas, equipamentos elétricos e eletrônicos juntamente com resíduos municipais não separados. Os resíduos de baterias, pilhas e equipamentos elétricos e eletrônicos devem ser recolhidos separadamente. Os resíduos de acumulares de baterias, pilhas e fontes de luz têm de ser retirados do equipamento. Consulte a sua autoridade local ou retalhista para obter aconselhamento sobre reciclagem e pontos de recolha. De acordo com os regulamentos locais, os retalhistas têm a obrigação de receber os resíduos de baterias, pilhas e equipamentos elétricos e eletrônicos livres de encargos. O seu contributo para reutilizar e reciclar os resíduos de equipamentos elétricos e eletrônicos ajuda a reduzir a procura de matérias-primas. As baterias e pilhas usadas, em particular, contêm lítio e os resíduos de equipamentos elétricos e eletrônicos contêm materiais recicláveis preciosos, que podem afetar negativamente o meio ambiente e a saúde humana se não forem eliminados de uma forma ambientalmente compatível. Elimine os dados pessoais dos equipamentos, se existirem.



## SÍMBOLOS NESTE MANUAL



As peças ou acessórios vendem-se separadamente



Nota



Aviso



Bloqueio



Abrir

**RESOLUÇÃO DE PROBLEMAS**

PROBLEMA	CAUSA	ACÇÃO
O motor não funciona.	Sobrecarga de temperatura	Permita que o produto arrefeça durante 15 minutos. Esta situação pode ocorrer se a temperatura ambiente for elevada e o produto tiver sido utilizado consistentemente sem pausas.
	Bateria	Verifique se a bateria está totalmente carregada, se não existem sinais de entrada de água, nem danos. Teste a bateria numa ferramenta diferente para garantir que está a funcionar corretamente.
	Recipiente de recolha	Introduza o recetáculo de recolha de acordo com as etiquetas que se encontram na parte lateral do recetáculo e certifique-se de que está totalmente inserido com o fecho frontal engatado.
O material não é conduzido para o dispositivo de descarga.	Placa de cobertura da lâmina	Certifique-se de que os 4 parafusos que fixam a placa de cobertura da lâmina estão totalmente apertados.
	Existe material preso no funil de alimentação.	Para limpar obstruções, siga o manual de instruções.
	A placa de esmagamento está demasiado afastada da lâmina de corte.	Siga as instruções do manual quanto à tensão da placa de esmagamento.

Sikkerhed, ydeevne og pålidelighed er blevet givet topprioritet i designet af din trådløse kompostkværn.

### TILTÆNKT ANVENDELSESFORMÅL

Den trådløse kompostkværn er designet til at neddele biologisk haveaffald i form af grene, kviste og blade.

Produktet er beregnet til udendørsbrug i en stationær stilling betjent af en operatør, der står på jorden.

Produktet er ikke beregnet til ikke-organisk materiale, metal eller materiale, der overstiger dets maksimale skæreevne.

Produktet skal monteres på den medfølgende fod og skal benyttes med den tilhørende opsamlingsboks. Må ikke monteres på anden måde end den, der er vist i denne brugsanvisning.

Må ikke bruges til andre formål.

### GENERELLE SIKKERHEDSADVARSLER

**⚠ ADVARSEL!** Produktet er ikke beregnet til at blive benyttet af børn eller personer med nedsatte fysiske, mentale eller sensoriske evner. Mindre børn skal være under konstant opsyn af en anden person end operatøren for at sikre, at de ikke leger i nærheden af eller med produktet.

**⚠ ADVARSEL!** Ved brug af produktet bør man følge de grundlæggende sikkerhedsregler for at reducere risikoen for brand, elektrisk stød og personskade. Læs alle disse sikkerhedsinstruktioner nøje, inden produktet benyttes. Sørg for at blive fortrolig med betjeningselementerne samt den korrekte brug af produktet. Disse sikkerhedsregler skal opbevares med henblik på senere brug.

### UDDANNELSE

- Sæt dig ind i instruktionerne inden forsøg på at betjene produktet.
- Lad aldrig børn eller personer uden kendskab til denne brugsanvisning bruge produktet. Lokale love kan have indflydelse på den tilladte brugerage.
- Operatøren eller brugeren af produktet er ansvarlig for ulykker eller farer påført andre personer eller deres ejendom.

### FORBEREDELSE

- Brug aldrig maskinen, når der er personer, især børn, eller dyr i nærheden.
- Brug ikke produktet under dårlige vejrforhold, især ikke når der er fare for lynnedslag. Bær altid høreværn og sikkerhedsbriller mens du anvender produktet.
- Under arbejdet med produktet skal man altid bære kraftigt fodtøj og lange bukser. Undlad at bruge maskinen barfodet eller med åbne sandaler. Undgå at bære løstsiddende tøj eller frit hængende snører eller slips.
- Brug kun produktet under åben himmel (f.eks. ikke for tæt på en væg eller en fast genstand) og på en fast jævn overflade.
- Maskinen må ikke anvendes på en stenlagt eller grusoverflade, hvor udslyngt materiale kan forårsage personskader.
- Inden man starter produktet, skal man kontrollere, at alle skruer, møtrikker, bolte og andre fastgørelseselementer sidder ordentligt fast, og at opsamlingsboksen er på plads. Bring produktet til et autoriseret servicecenter med henblik på udskiftning af beskadigede dele eller ulæselige etiketter.

### BRUG OG PLEJE AF BATTERI OG REDSKAB

- Opladning må kun finde sted med den af producenten foreskrevne oplader. En oplader, der er egnet til en batteritype, kan udgøre en risiko, når den bruges sammen med en anden batteritype.
- Brug kun elværktøjer sammen med specifikt godkendte batterier. Brug af andre batterityper kan medføre fare for personskade og brand.
- Når batteriet ikke bruges, må det ikke opbevares sammen med metalgenstande som fx papirclips, mønter, nøgler, søm, skruer eller andre metalgenstande, som kan skabe forbindelse mellem batteriets poler. Hvis batteriets poler kortsluttes, kan det forårsage forbrændinger eller ildebrand.
- Hvis batteriet misbruges, kan der sprøjte væske ud af det; undgå kontakt med batterivæsken. Ved kontakt med batterivæsken skylles der med vand. Hvis der kommer væske i øjnene, kontaktes læge straks. Udsprøjtet batterivæske kan forårsage irritation eller forbrændinger.
- Brug ikke et batteri eller værktøj, der er beskadiget eller modificeret. Beskadigede eller modificerede batterier kan være ustabile, hvilket kan medføre brand, eksplosion eller personskade.

- Udsæt ikke batteri eller værktøj for åben ild eller høje temperaturer. Udsættelse for ild eller temperaturer over 130 °C kan medføre eksplosion.
- Følg vejledningen for opladning, og oplad ikke batteriet eller værktøjet uden for det temperaturområde, der er angivet i vejledningen. Forkert opladning eller opladning ved temperaturer uden for det angivne område kan beskadige batteriet og øge risikoen for brand.

## VEDLIGEHOOLDSE

- Sørg for, at elværktøjet serviceres af en kvalificeret reparatør, som kun benytter sig af originale reservedele. Herved garanteres sikkerheden for elproduktet.
- Efterse aldrig beskadigede batteripakker. Eftersyn af batteripakker bør kun udføres af producenten eller autoriserede serviceleverandører.

## SIKKERHEDSADVARSLER FOR TRÅDLØS KOMPOSTKVÆRN

- Under klargøring af produktet til brug, skal du sørge for, at produktet er fastgjort, så det ikke vælter. Hvis der bliver slukket for hurtigt for produktet, kan de resterende materialestykker tilstoppe klingeeenheden og bremse motoren, når der igen bliver tændt for produktet igen.
- Før du starter produktet, skal du kigge ind i fødekammeret for at sikre, at det er tomt.
- Undgå at have ansigt og krop i nærheden af fødeåbningen.
- Hænder eller legemsdele i øvrigt eller beklædningsgenstande må aldrig komme ind i fødekammeret, udkastslisen eller nær andre bevægelige maskindele.
- Sørg altid for at have godt fodfæste. Sørg for altid at have godt fodfæste og god balance. Overstræk ikke. Stå aldrig på et højere niveau end produktets underdel, når man føder materiale ind i det. Gå, løb aldrig.
- Hold altid afstand til udkastningszonen ved betjening af produktet.
- Når man føder materiale ind i produktet, passe meget på, at stykker af metal, klipper, flasker, dåser eller andre fremmedlegemer ikke medfølger.
- Hvis skæremekanismen rammer fremmedlegemer, eller hvis kompostkværnen begynder at lave usædvanlig støj eller vibration, skal du slukke for maskinen og lade klingerne standse fuldstændigt Fjern batteriet. Udfør følgende trin:
  - Undersøg produktet grundigt for eventuel beskadigelse.
  - Kontroller og efterspænd eventuelle løse dele på produktet.
  - udskift eller reparér alle beskadigede dele
- Sørg for, at der ikke ophobes bearbejdet materiale i udkastskakten; dette kan forhindre korrekt udkastning eller tilstopning og kan medføre, at der kastes materiale tilbage gennem fødeåbningen.
- Hvis produktet bliver tilstoppet, så sluk for produktet, og lad klingerne falde helt til ro. Fjern batteriet, før du fjerner snavs.
- Brug aldrig produktet, hvis skærme, afdækninger, opsamlingsboks eller andre sikkerhedsanordninger er defekte, ikke er monteret, og ikke i god stand.
- Undlad at flytte eller transportere produktet, mens motoren kører.
- Sluk, og fjern batteripakken Kontrollér, at alle bevægelige dele er standset fuldstændigt:
  - før du går fra produktet
  - før rydning af en blokering
  - inden kontrol, rengøring eller arbejde på produktet
- Hæld ikke produktet, mens det kører.
- Længere tids brug af et værktøj kan forårsage - eller forværre - personskader. Når du bruger produktet i længere perioder, skal du sørge for at tage regelmæssige pauser.
- Undgå at ændre ved maskinen på nogen som helst måde eller at bruge dele og tilbehør, som ikke anbefales af producenten. Dette kan øge risikoen for alvorlig personskade på dig selv eller andre.
- Sørg for, at ventilationsåbningerne bliver holdt fri for affald. Motoren kan blive overophedet, hvilket kan medføre beskadigelse af produktet eller øge risikoen for brand.
- Produktet skal slukkes, inden opsamlingsboksen på- eller afmonteres.
- Sluk med det samme, og fjern batteripakken i tilfælde af en ulykke eller et nedbrud. Betjen ikke produktet igen, før det er blevet kontrolleret fuldstændigt af et godkendt servicecenter.

## KVÆRNE-GUIDE

For bedste resultater med kværnen skal man følge retningslinjerne i nedenstående tabel.

MATERIALE	KVÆRNE-METODE
-----------	---------------

Grene op til 40 mm i diameter.	Vækster beskæres fra alle sider med en beskærersaks, inden de kommer i fødetragten.
--------------------------------	---

Bedplanter, ukrudt og buskads	Bank jord og sten af rødderne for ikke at beskadige knivene.
-------------------------------	--

Friskskårede blade, hæk og køkkenaffald (dvs. kålblade, grøntsagsskræl osv.)	Med ethvert materiale, som har et højt fugtindhold, anbefales det at føde nogle tørre pinde med jævne mellemrum for at hjælpe med at skubbe materialet gennem skæreaggregatet og forhindre det i at tilstoppe.
--	--

Tørre grene og kviste	Det er en god ide at indsætte disse i slutningen af komposteringsarbejdet, da disse bidrager til at afrense fugt og plantesaft fra produktets indre og skæreenheden.
-----------------------	--

- Lad ikke haveaffald ligge for længe, inden det kværnes, da det i så fald vil begynde at kompostere, bliver for fugtigt og tilstopper skæreaggregatet. Tørt materiale vil bidrage til at fjerne de fleste typer materialer fra udkastskakten. Gem nogle tørre grene til sidst til at rydde knivområdet.
- Overvåg ofte ophobningen af bearbejdet materiale.
- Når opsamlingsboksen er fuld, skal man slukke for produktet, inden man tømmer boksen.
- Ved fødnings af lange træagtige grene/stængler i produktet skal man være opmærksom på pisk og vibrationer, når de indfanges i skæreaggregatet. Operatøren skal benytte øjenværn, hver gang produktet benyttes.
- Skæreindretningen har tendens til at trække grene/stængler ind i produktet. Undlad at

forhindre fødnings af materiale, som skal kværnes, når først fødnings er startet. Man skal altid benytte handsker for at forebygge hudlæsioner, når man kommer materiale i produktet.

- Sluk ikke for produktet under normal brug, før alt det kværnedede materiale er ryddet fri af skæreenheden. Hvis der bliver slukket for hurtigt for produktet, kan de resterende materialestykker tilstoppe klingeeenheden og bremse motoren, når der igen bliver tændt for produktet igen.

## TRANSPORT OG OPBEVARING

- Sluk for produktet, og fjern batteripakken, og lad begge afkøle inden det opbevares eller transporteres.
- Sørg for, at produktet er blevet grundigt rengjort, før det opbevares på et rent, tørt sted og sikret utilgængeligt for børn.
- Til transport skal man sikre produktet, så den ikke kan bevæge sig eller vælte; dette for at forebygge personskader eller skader på produktet.

## TRANSPORT AF LITHIUM-BATTERIER

Batterier skal transporteres i henhold til lokale og nationale forskrifter og love.

Når batterier skal transporteres af tredjepart, skal alle specielle krav til emballering og mærkning overholdes. Man skal sikre sig, at ingen batterier under transporten kan komme i kontakt med andre batterier eller ledende materialer ved at beskytte blottede konnektorer med isolerende, ikke-ledende hætter eller tape. Undlad at transportere batterier med revner eller utætheder. Rådfør dig desuden med speditøren.

## YDERLIGERE SIKKERHEDSADVARSLER OM BATTERI

- For at nedsætte risikoen for brand, personskade og produktbeskadigelse på grund af kortslutning må produktet, batteripakken eller opladeren aldrig nedsænkes i en væske, ligesom væsker ikke må flyde ind i dem. Sørg ligeledes for, at der ikke trænger væske ind i enhederne og batterierne. Korroderende eller ledende væsker, f.eks. saltvand, bestemte kemikalier, blegestoffer eller produkter, som indeholder blegemidler, kan forårsage kortslutning.
- Oplad batteripakken et sted, hvor omgivelsestemperaturen er mellem 10° C og 38° C.



- Opbevar batteripakken et sted, hvor omgivelsestemperaturen er mellem 0° C og 20° C.
- Brug batteripakken et sted, hvor omgivelsestemperaturen er mellem 0° C og 40° C.

## VEDLIGEHOJDELSE

- Brug kun originale reservedele, ekstraudstyr og tilbehør fra producenten. I modsat fald er der fare for personskader, dårlig maskinydelse og annullering af garantien.
- Sluk for produktet inden rengøring, eftersyn eller servicering, og lad klingerne stoppe fuldstændig, og fjern batteriet. Når man har brugt kværnen et stykke tid, vil skæremekanismen blive varm. Lad den køle af, før du rengør, inspicerer eller justerer den.
- Knivene er ekstremt skarpe. For at undgå skader skal man udvise ekstrem forsigtighed og omhu ved rengøring eller arbejde i nærheden af knivene eller inde i den åbne indkapsling, når opsamlingsboksen er afmonteret. Bær altid kraftige beskyttelseshandsker.
- Vær opmærksom på at knivene stadig kan bevæge sig, selv om strømmen er afbrudt, eller hvis interlock-kontakten er aktiveret.
- Af hensyn til bedst mulig produktion skal det holdes rent.
- Produktet skal altid rengøres umiddelbart efter brug. Brug så vidt muligt en stiv børste inde i føde- og udkast-slisken og en tør klud på produktets yderside.
- Lad ikke materiale blive tørt på nogen af produktets overflader, men især på klingerne. Dette har en umiddelbar påvirkning af kværneydelsen.
- Sørg for, at fødetragten og udkastslisken altid holdes rene og fri for affaldsmateriale.
- Kontroller, at alle møtrikker, bolte og skruer (bortset fra justeringsskruen) er tilspændt og fastgjort.
- Evt. beskadigede eller slidte dele skal altid repareres eller udskiftes af kvalificeret personale på et autoriseret servicecenter.
- Forsøg aldrig at omgå interlock-kontakterne på opsamlingsboksen eller på skæreaggregatets forskærm.
- Sørg for, at bremsevæske, benzin, petroleumsbaserede produkter, penetreringsolie, mv., aldrig kommer i kontakt med plastdele. Brug aldrig bremsevæske, benzin, oliebase-

produkter eller andre opløsningsmidler til at rengøre produktet. De fleste typer plastic kan tage skade ved brug af forskellige opløsemidler.

- Mankan udføre vedligeholdelsesarbejder, der er beskrevet i denne brugsanvisning. Lad et autoriseret servicecenter servicere og reparere produktet.

## JUSTERING AF KNUSNINGSPLADEN

- Hvis produktet ikke makulere materialet, kan det være nødvendigt at justere knusningspladen, eller det kan være nødvendigt at slibe klingerne.
- Med tiden skal knusningspladen på produktet justeres. Dette kan udføres ved at justere knusningspladen, så den kommer i let kontakt med klingerne. Kontroller, at produktet er tændt og fungerer i normal fremadgående retning.
- Justering af knusningspladen, mens motoren er slukket, kan medføre alvorlig skade på produktet.

**BEMÆRK:** Justering af knusningspladen bør kun forsøges, når det skønnes absolut nødvendigt. Justering af knusningspladen for ofte eller for langt, kan forårsage, at produktet holder op med at fungere.

1. Drej justeringsgrebet med uret, mens produktet kører.
2. Når du hører metal mod metal, eller du ser fine aluminiumspåner i bunden af opsamlingsbeholderen, skal du stoppe justeringen og lade produktet køre i 30 sekunder. Derefter skal justeringsgrebet drejes ½-1 omgang mod uret, til det ikke længere er i berøring med knusningspladen og efterlader et mellemrum på 1 mm.

**BEMÆRK:** Evt. justeringen skal udføres langsomt, så man undgår at beskadige produktet. Overjustering af pladen kan forårsage alvorlige skader på produktet.

## VED JUSTERING AF KNUSNINGSPLADEN I KALIBRERINGSTILSTAND

**BEMÆRK:** Sørg for, at produktet er i slukket tilstand.

1. Når produktet er slukket, hold kalibreringstilstandsknappen nede, og tryk derefter på startknappen. Klingens vil begynde kalibreringen.
2. Drej justeringsknappen til knusningspladen med uret, indtil produktet slukkes.

**BEMÆRK:** Drej knappen  $\frac{1}{2}$ -1 omdrejning mod uret, indtil knusningspladen og klingerne ikke længere er i kontakt.

3. Tryk på startknappen for at genindføre materiale i produktet.

## KEND PRODUKTET

Se side 185.

1. Batteriholder
2. Bakknop
3. Kalibreringstilstandsknappen
4. Stopknop
5. Fødeskakt
6. Start-knap
7. Batteridæksel
8. Justeringsknap til knusningsplader
9. Udløserknap til metalramme
10. Metalramme
11. Låsemekanisme
12. Aksel
13. Materialestopper
14. Hjul
15. Opdelt pinkode
16. Spændeskive
17. Hjul kapsel
18. Brugsanvisning
19. Torx-nøgle
20. Opsamlingsstønde
21. Batteri
22. Oplader

## SYMBOLER PÅ PRODUKTET



Læs og forstå alle anvisninger inden betjening af produktet. Overhold alle advarsler og sikkerhedsanvisninger.



Pas på udslyngede eller flyvende objekter. Sørg for, at tilskuere (især børn og dyr) har mindst 15 m afstand fra arbejdsområdet.



Advarsel! Frakobl batteriet inden vedligeholdelse, justering og rengøring.



Fare! Roterende klinger. Hold hænder og fødder på afstand af åbninger, mens produktet kører.



Bær øjen- og høreværn.



Må ikke bruges som trappetrin.



Vent, indtil alle produktets dele er helt stoppet, før du berører dem.



Garanteret støjniveau



Brug friktionsfri, kraftige beskyttelseshandsker.



Når produktet er slukket, og udkaståbningen er klar, skal du trykke på kalibreringsknappen for at starte kalibreringen af klingens.



Tryk for at tænde og tryk igen for at skifte hastighed.



Hold knappen nede for at køre i bakindstilling.



Europæisk overensstemmelsesmærkning



Britisk overensstemmelsesmærkning



EurAsian overensstemmelsesmærke



Ukrainsk  
overensstemmelsesmærkning



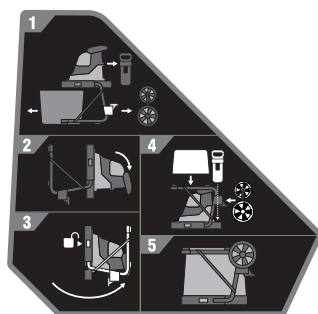
Kalibreringstilstand



Overbelastet



Opsamlingstønden er ikke  
indsat



1. Fjern hjulakslen, bakken og stemplet.
2. Læg produktet ned på jorden med håndtagene nedad.
3. Tryk på udløserknappen til metalrammen, og fold benene op, indtil de låses på plads.
4. Placer hjulakslen, bakken og stemplet på deres opbevaringssteder.
5. Opbevar produktet på et køligt, tørt og godt ventileret sted.



Bortskaf ikke brugte batterier, elektriske dele og elektronisk udstyr som usorteret kommunalt affald. Brugte batterier, kasserede elektriske dele og elektronisk udstyr skal indsamles separat. Brugte batterier, affaldsakkumulatorer og lyskilder skal fjernes fra udstyret. Kontakt din lokale myndighed eller forhandler for rådgivning om genbrug og indsamlingssted. Ifølge lokale bestemmelser er detailhandlere måske forpligtede til gratis at tage kasserede batterier, elektriske dele og elektronisk udstyr retur til bortskaffelse. Dit bidrag til genbrug og genanvendelse af brugte batterier, kasserede elektriske dele og elektronisk udstyr bidrager til at reducere efterspørgslen efter råmaterialer. Kasserede batterier, navnlig indeholdende lithium, og kasserede elektriske dele og elektronisk udstyr indeholder værdifulde og genanvendelige materialer, som kan have en negativ indvirkning på miljøet og menneskers sundhed, hvis det ikke bortskaffes på en miljøvenlig måde. Slet persondata fra eventuelt kasseret udstyr.

## SYMBOLER I DENNE BRUGSANVISNING



Dele eller tilbehør, der sælges  
separat



Bemærk



Advarsel



Lås



Oplys

## FEJLFINDER

PROBLEM	ÅRSAG	BETYDNING
Motor kører ikke.	Overophedning	Lad produktet køle af i 15 minutter. Dette kan forekomme, når omgivelsestemperaturen er høj, og produktet er blevet anvendt kontinuerligt uden pauser.
	Batteri	Kontrollér, om batteriet er fuldt opladet, ikke har tegn på vandindtrængning og ikke er beskadiget. Test batteriet i et andet redskab for at sikre, at det fungerer korrekt.
	Opsamlingsstønde	Indsæt opsamlingsbakken ved at følge mærkaterne på siden af bakken, og sørg for, at den er helt indsat med den forreste lås aktiveret.
Materialet føres ikke ind i udkaståbningen.	Klingebeskytterpladen	Sørg for, at alle de 4 bolte, der fastgør klingebeskytteren, er helt fastspændt.
	Materialet har sat sig fast i fødetragten.	Følg vejledningen i brugsanvisningen til fjernelse af forhindringer.
	Knusningspladen er for langt fra kniven.	Følg anvisningerne i manualen for tilspænding af knusningsplader.

Säkerhet, prestanda och pålitlighet har fått högsta prioritet vid utformningen av din sladdlösa kompostkvarn.

## ANVÄNDNINGSSOMRÅDE

Den sladdlösa kompostkvarnen är konstruerad för sönderdelning av organiskt trädgårdsavfall, som grenar, kvistar och löv.

Produkten är avsedd för stationär användning utomhus av en användare som står på marken.

Produkten är inte avsedd för icke-organiskt material, metall eller material som överstiger dess maximala kapningskapacitet.

Produkten måste monteras på det medföljande stativet och uppsamlingsboxen ska alltid användas. Den får inte monteras på annat sätt än vad som visas i denna bruksanvisning.

Får ej användas för annat ändamål.

## ALLMÄNNA SÄKERHETSFÖRESKRIFTER

**⚠ VARNING!** Produkten är inte avsedd för användning av barn eller personer med fysiska, mentala eller emotionella funktionshinder. Småbarn måste övervakas hela tiden av någon annan än användaren så att de inte leker i närheten av eller med produkten.

**⚠ VARNING!** När du använder produkten ska du alltid följa grundläggande säkerhetsföreskrifter för att minska risken för eldsvåda, elektrisk stöt och personskada. Läs noga igenom alla dessa säkerhetsinstruktioner innan produkten används. Bekanta dig med reglagen och rätt användning av produkten. Förvara instruktionerna på ett säkert ställe för användning vid senare tillfälle.

## UTBILDNING

- Bekanta dig med bruksanvisningen innan du försöker använda kvarnen.
- Låt aldrig barn eller personer som inte känner till dessa instruktioner använda maskinen. Lokala regler kan åldersbegränsa användningen av gräsclipparen.
- Operatören eller användaren av enheten är ansvarig för olyckor eller risker som andra människor eller egendom utsätts för.

## FÖRBEREDELSE

- Använd aldrig maskinen i närheten av människor, speciellt barn, eller husdjur.

- Använd inte produkten under dåliga väderförhållanden, särskilt inte när det finns risk för blixtnedslag. Använd alltid hörselskydd och skyddsglasögon när du använder kvarnen.
- Vid användning av produkten ska du alltid använda ordentliga skodon och långa byxor. Använd inte maskinen barfota eller med öppna sandaler. Undvik att bära kläder som sitter löst eller som har hängande bälten och slips.
- Använd endast enheten på öppna ytor (t.ex. inte i närheten av en vägg eller ett fast föremål) och på en stadig, plan yta.
- Kör inte maskinen på asfalterad eller grusad mark där utskjutet material skulle kunna orsaka skada.
- Innan produkten startas ska du kontrollera att alla skruvar, muttrar, bultar och andra fästen sitter ordentligt och att skydd och uppsamlingsbox är på plats. Tag med produkten till ett auktoriserat servicecenter för att byta ut skadade delar eller oläslig märkning.

## HANTERING OCH ANVÄNDNING AV BATTERIVERKTYG

- Använd endast den batteriladdare som tillverkaren rekommenderar. En laddare som är lämplig för en typ av batteripaket kan utgöra en risk när den används med ett annat batteripaket.
- Använd eldrivna verktyg med batteripaket som är speciellt utformade för användning tillsammans med produkterna. Om du använder andra batteripaket ökar du risken för skador och brand.
- När batteripaketet inte används ska det hållas bort från metallföremål som gem, mynt, nycklar, spikar, skruvar och andra små metallföremål som kan kortsluta batteriets kontakter. Vid kortslutning av batteriets kontakter finns det risk för brännskador eller brand.
- Vätska kan läcka ut från batteripaketet vid felaktig användning; undvik kontakt med vätskan. Spola med vatten om du kommer i kontakt med den. Uppsök omedelbart läkarhjälp om du får vätska i ögonen. Den kan orsaka irritation och brännskador.
- Använd inte en batterienhet eller ett verktyg som är skadat eller har modifierats. Skadade eller modifierade batterier kan bete sig oförutsägbart, vilket kan leda till brand, explosion eller risk för olycksfall.

- Utsätt inte ett batteripaket eller ett verktyg för eld eller mycket hög temperatur. Exponering för eld eller temperaturer över 130 °C kan orsaka explosion.
- Följ alla anvisningar för laddning och ladda inte batteripaketet eller verktyget vid temperaturer utanför det intervall som anges i anvisningarna. Att ladda på felaktigt sätt eller vid temperaturer utanför det angivna intervallet kan skada batteriet och ökar brandrisken.

## UNDERHÅLL

- Låt en kvalificerad serviceperson serva ditt kraftverktyg med identiska utbytesdelar. Detta säkerställer att kraftverktygets säkerhet bibehålls.
- Reparera aldrig skadade batteripaket. Reparation av batteripaket får endast utföras av tillverkaren eller en auktoriserad serviceverkstad.

## SÄKERHETSVARNINGAR FÖR SLADDLÖS KOMPOSTKVARN

- Se till att säkra enheten ordentlig innan användning, så att den inte kan falla omkull. Om enheten stängs av för snabbt kan kvarvarande material sätta igen bladen, vilket kan medföra att motorn inte kan köras när enheten startas näsa gång.
- Innan du startar produkten, kontrollera att mataren och behållaren är tomma.
- Håll ansiktet och kroppen borta från matningsöppningen.
- Håll aldrig händer eller andra kroppsdelar eller klädesdelar inuti matarkammaren, utblåsningsröret eller i närheten av någon rörlig del.
- Var försiktig med balansen när du klipper. Ha alltid ett bra fotfäste och en god balans. Sträck dig inte. Placera dig aldrig högre än jäms med produktens underdel när du matar i material. Gå. Spring aldrig.
- Stå aldrig framför utkastningsområdet när enheten körs.
- När du lägger i material, var extra noga med att metallbitar, flaskor, burkar eller andra främmande föremål inte följer med.

- Slå av enheten och låt skärbladen stanna helt om skärmekanismen skulle gå emot ett främmande föremål eller om enheten skulle avge något ovanligt ljud eller vibrationer. Ta bort batteripaketet. Gör så här:
  - Inspektera produkten noggrant efter skada.
  - Kolla och dra åt eventuellt lösa delar.
  - byt ut eller reparera alla skadade delar
- Se till att inte bearbetat material ansamlas vid utblåset eftersom det kan förhindra utblåsning och ge kickback av material genom matningsöppningen.
- Stäng av enheten om den skulle bli blockerad, och låt skärbladen stanna helt. Ta bort batteripaketet innan du rensar bort skräp.
- Använd inte produkten om skydd, luckor, uppsamlingsbox eller andra säkerhetsanordningar är defekta, inte på plats eller inte fungerar som de ska.
- Flytta eller transportera inte produkten medan produkten är i gång.
- Stäng av och plocka ur batteripaketet. Se till att samtliga rörliga delar har stannat helt:
  - innan produkten lämnas utan uppsikt
  - före rengöring av en blockering
  - före kontroll av, rengöring av eller arbete med produkten
- Tippa inte produkten när den är igång.
- Risk för person- eller slitageskador vid användning av verktyget under lång tid. Om en produkt används under en längre tid, var noga med att ta regelbundna pauser.
- Modifiera inte maskinen på något sätt och använd inte delar eller tillbehör som inte rekommenderats av tillverkaren. Det kan öka risken för allvarlig skada på dig själv eller andra.
- Säkerställ alltid att ventilationsöppningarna är rena från skräp. Motorn kan överhettas vilket kan leda till att produkten skadas eller öka risken för brand.
- Stäng av produkten innan du sätter fast eller tar bort uppsamlingsbehållaren.
- Stäng omedelbart av produkten och plocka ur batteripaketet vid olycksfall eller fel. Använd inte produkten igen innan den har kontrollerats i sin helhet av en auktoriserad serviceverkstad.

**MALNINGSGUIDE**

För bästa resultat vid malning ska du följa riktlinjerna i tabellen nedan.

MATERIAL	MALNINGSMETOD
Grenar med en diameter på upp till 40 mm.	Klipp av all sidoväxtlighet med sekator före inmatning.
Blomsterrabatter, buskage och vildvuxet	Knacka bort jord och sten från rötter så att inte bladen skadas.
Nyklippt lövverk, häck och köksavfall (som salladsblad, grönsaksskal etc.)	Med material som har hög fukthalt rekommenderar vi regelbunden inmatning av några torra grenar för att driva igenom materialet genom skärmekanismen så att den inte sätts igen.
Torra pinnar och kvistar	Stoppar du i dessa i slutet av malningsarbetet hjälper det till att rensa ut fukt och vätska från produktens insida och skärmekanismen.

- Se till att trädgårdsavfall inte ansamlas före malning eftersom det kommer att börja komposteras, bli alltför fuktigt och sätta igen malningsmekanismen. Torrt material hjälper till att rensa bort från utblåset. Spara några torra grenar till slutet att använda för att rengöra bladen.
- Håll ett öga på det strimlade materialet så att behållaren inte blir överfull.
- När uppsamlingsboxen är full ska produkten slås av, "OFF", innan den töms.
- Vis inmatning av långa buskiga grenar i produkten ska du vara uppmärksam på pisksnärtar och vibrationer när de fångas upp av skärmekanismen. Operatören ska alltid bära skyddsglasögon vid användning av produkten.

- Skärenheten har en tendens att dra in grenar/stjälkar i produkten. Hindra inte inmatning av material som ska malas när matningen har påbörjats. Använd alltid handskar för att skydda huden mot rispor vid inmatning av material i produkten.
- Stäng inte av enheten förrän allt flismaterial har matats ut ur enheten. Om enheten stängs av för snabbt kan kvarvarande material sätta igen bladen, vilket kan medföra att motorn inte kan köras när enheten startas näsa gång.

**TRANSPORT OCH FÖRVARING**

- Stäng av produkten, ta ur batteripaketet och låt båda svalna innan de förvaras eller transporteras.
- Se till att produkten är ordentligt rengjord innan den förvaras på en torr, ren plats utom räckhåll för barn.
- Vid transport ska produkten säkras mot rörelser eller fallande för att förhindra personskador eller att produkten skadas.

**TRANSPORTERA LITIUMBATTERIER**

Transportera batterier enligt lokala och nationella riktlinjer och föreskrifter.

Följ alla särskilda krav på förpackning och etikettering vid transport av batterier som utförs av tredje part. Se till att inga batterier kan komma i kontakt med andra batterier eller ledande material under transporten genom att skydda exponerade kontaktytor med isolerande, icke ledande överdrag eller tejp. Transportera aldrig batterier som har spruckit eller som läcker. Kontrollera med det transporterande företaget för vidare rådgivning.

**YTTERLIGARE SÄKERHETSVARNINGAR FÖR BATTERIER**

- För att minska risken för brand, personskador och produktskador på grund av kortslutning, sänk aldrig ner produkten, batteripaketet eller laddaren i vätska och låt inte vätska tränga in i dem. Korroderande eller ledande vätskor, som saltvatten, vissa kemikalier, blekningsmedel eller produkter som innehåller blekmedel, kan orsaka en kortslutning.
- Ladda batteripaketet på en plats där omgivningstemperaturen är mellan 10-38 °C.

- Förvara batteripaketet på en plats där omgivningstemperaturen är mellan 0-20 °C.
- Använd batteripaketet på en plats där omgivningstemperaturen är mellan 0-40 °C.

## UNDERHÅLL

- Använd enbart reservdelar och tillbehör från tillverkaren. Om inte kan det eventuellt orsaka skador, sämre resultat och kan upphäva garantin.
- Före rengöring, inspektion eller underhåll av produkten måste den slås av, skärenheterna stanna helt och batteripaketet kopplas från. Efter en tids malning blir skärmekanismen väldigt het. Låt den svalna före rengöring, inspektion eller justering.
- Skärbladen är extremt vassa. Undvik skador genom att vara extremt noga och försiktig vid rengöring eller arbete i närheten av bladen eller i höljets öppning när uppsamlingsboxen är borttagen. Använd grova skyddshandskar.
- Var uppmärksam på att skärbladen fortfarande kan röras när motorn är av eller om interlockbrytaren är aktiverad.
- För att få bästa möjliga resultat från produkten måste den hållas ren.
- Rengör alltid produkten efter användning. Där det är möjligt ska du använda en styv borste i matningen och utkastet och en torr trasa för produktens utsida.
- Låt inte material torka eller hårdna på någon av produktens ytor, speciellt på bladen. Detta påverkar malningsresultatet direkt.
- Se till att in- och utmatning hålls ren och fri från restmaterial.
- Kontrollera att alla muttrar, bultar och skruvar (utom justeringsskruven) är noggrant åtdragna och säkrade.
- Se till att skadade delar repareras eller byts ut av kvalificerad personal på auktoriserat servicecenter.
- Förbikoppla inte interlockbrytarna på uppsamlingsboxen eller främre luckan på skärmekanismen.
- Låt aldrig bromsvätska, bensin, bensinbaserade produkter, penetrerande oljor, etc., komma i kontakt med plastdelarna. Använd aldrig bromsvätska, bensin, petroleumbaserade produkter eller någon form av lösning för att rengöra produkten. De flesta plasterna är mottagliga för skador från olika varianter av kommersiella lösningsmedel och kan skadas om sådana används.

- Det är tillåtet att utföra sådant underhållsarbete som finns beskrivet i denna bruksanvisning. För övriga reparationer, lämna in produkten till ett auktoriserat servicecenter.

## JUSTERA KROSSPLÅTEN

- Om produkten inte strimlar kan krossplåten behöva justeras eller bladen behöva slipas.
- Då och då behöver krossplåten justeras. Det görs genom att man rättar till den så att den knappt nuddar bladen. Se till att produkten är påslagen och arbetar i normal riktning framåt.
- Om krossplåten justeras när motorn är avstängd kan produkten skadas allvarligt.

**OBS:** Justering av krossplåten ska endast utföras när det anses vara helt nödvändigt. Om krossplåten justeras för ofta eller för mycket åt gången kan produkten sluta fungera.

1. Vrid justeringsratten medurs med maskinen igång.
2. Om du hör metall mot metall eller ser tunna aluminiumflisor i botten på uppsamlingsbehållaren, stoppa justeringen och låt produkten köra i 30 sekunder. Vrid sedan justeringsknoppen moturs 0,5–1,0 varv tills den inte längre har kontakt med krossplåten, mellanrummet ska vara 1 mm.

**OBS:** Gör alla justeringar långsamt och försiktigt för att inte skada produkten. Överjustering av skärplattan kan orsaka allvarliga skador på produkten.

## JUSTERA KROSSPLÅTEN I KALIBRERINGSLÄGE

**OBS:** Säkerställ att produkten är avstängd.

1. När produkten är avstängd, håll knappen för kalibreringsläge nere och tryck sedan på startknappen. Bladet börjar kalibreras.
2. Vrid krossplåtens justeringsknopp medurs tills produkten stängs av.

**OBS:** Vrid knoppen moturs 0,5–1,0 varv tills krossplåten och bladen inte längre har kontakt med varandra.

3. Tryck på startknappen för att fortsätta att mata material till produkten.

## LÄR KÄNNA PRODUKTEN

Se sida 185.

1. Plats för batteri
2. Backknapp
3. Knapp för kalibreringsläge



4. Stoppknapp
5. Inmatning
6. Startknapp
7. Batterilucka
8. Justeringsknapp för krossplåten
9. Frigöringsknapp för metallramen
10. Metallram
11. Regel
12. Axel
13. Materialpressare
14. Hjul
15. Delat stift
16. Bricka
17. Fälg
18. Bruksanvisning
19. Torxnyckel
20. Uppsamlingsbehållare
21. Batteri
22. Batteriladdare

## SYMBOLER PÅ PRODUKTEN



Läs och se till att du förstår alla anvisningar innan du använder produkten. Följ alla varningar och säkerhetsanvisningar.



Se upp för kringkastade eller flygande föremål. Håll alla åskådare, särskilt barn och husdjur, på minst 15 meters avstånd från arbetsområdet.



Varning! Koppla från batteripaketet före underhåll, justering och rengöring.



Fara! Roterande blad. Se till att hålla händer och fötter borta från öppningarna när produkten är igång.



Bär skydd för ögon och öron.



Använd inte att stå på.



Vänta tills produktens samtliga komponenter har stannat helt och hållet innan du vidrör dem.



Garanterad ljudeffektsnivå



Använd kraftiga, halkskyddade handskar.



När produkten är avstängd och utkastet är tomt, tryck på kalibreringsknappen för att påbörja bladkalibreringen.



Tryck för att slå på och tryck igen för att växla hastighet.



Håll knappen nere för att köra i backläge.



CE-märkning



Brittisk CE-märkning



EurAsian överensstämmelsesymbol



Ukrainsk CE-märkning



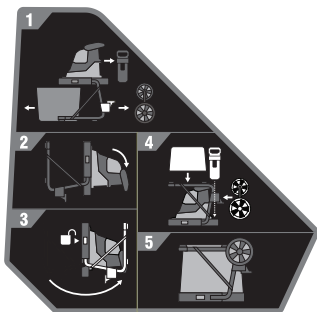
Kalibreringsläge



Överbelastat



Uppsamlingsbehållaren har inte satts i



1. Ta bort hjulaxeln, behållaren och kolven.
2. Lägg produkten på marken med handtagen neråt.
3. Tryck på frigöringsknappen för metallramen och vik upp benen tills de låses på plats.
4. Placera hjulaxeln, behållaren och kolven på sina förvaringsplatser.
5. Förvara produkten svalt, torrt och väl välventilerat.

Kassera inte uttjänta batterier, elavfall och elektronisk utrustning som restavfall. Uttjänta batterier, elavfall och elektronisk utrustning måste samlas in separat. Uttjänta batterier, uttjänta ackumulatörer och ljuskällor måste avlägsnas från utrustningen. Fråga din lokala myndighet eller återförsäljare om återvinningsråd och uppsamlingsplats. Beroende på lokala bestämmelser kan återförsäljare vara skyldiga att kostnadsfritt ta tillbaka uttjänta batterier samt elektriskt och elektroniskt avfall. Ditt bidrag till återanvändning och återvinning av uttjänta batterier samt elektriskt och elektroniskt avfall bidrar till att minska behovet av råmaterial. Uttjänta batterier, särskilt litiumbatterier, samt elavfall och elektronisk utrustning innehåller värdefulla och återvinningsbara material som kan påverka miljön och människors hälsa negativt, om de inte kasseras på ett miljömässigt sätt. Radera eventuella personuppgifter från avfallsutrustningen.



## SYMBOLER I MANUALEN



Delar och utrustning säljs separat



OBS



Varning



Lås



Lås upp

FELSÖKNING		
MÖJLIG ANLEDNING	ORSAK	HANDLING
Motorn går inte runt.	Överhettning	Låt produkten svalna i 15 minuter. Överhettning kan inträffa när omgivningstemperaturen är hög och produkten har använts länge utan avbrott.
	Batteri	Kontrollera att batteripaketet är fulladdat, inte har tecken på inträngande vatten och inte är skadat. Testa batteriet i ett annat verktyg för att säkerställa att det fungerar korrekt.
	Uppsamlingsbehållare	Sätt i uppsamlingsbehållaren enligt märkningen på behållarens sida och se till att den är helt isatt och det främre låset intryckt.
	Bladskyddsplåt	Säkerställ att alla de 4 bultarna som håller fast bladskyddsplåten är helt åtdragna.
Materialet matas inte in i utkastet.	Material har fastnat i matningstunneln.	Följ instruktionerna i bruksanvisningen för att rensa bort hindrande föremål.
	Krossplåten är för långt från skärbladet.	Följ anvisningarna i manualen för hur krossplåten ska spännas.

Turvallisuus, tehokkuus ja käyttövarmuus ovat johdottoman silppurimme tärkeimpiä ominaisuuksia.

## KÄYTTÖTARKOITUS

Johdoton silppuri on tarkoitettu orgaanisen puutarhajätteen, kuten oksien, risujen ja lehtien, pilkkomiseen.

Laitte on tarkoitettu ulkokäyttöön paikallaan siten, että käyttäjä seisoo maassa.

Laitetta ei ole tarkoitettu ei-orgaaniselle materiaalille, metallille tai materiaalille, joka ylittää sen suurimman leikkuukapasiteetin.

Tuote on asennettava mukana toimitettuun telineeseen ja sitä on käytettävä mukana toimitettu kerän paikoillaan. Sitä ei saa asentaa muulla tavalla kuin mitä käsikirjassa esitetään.

Älä käytä muihin tarkoituksiin.

## YLEISET TURVALLISUUSVAROITUKSET

**⚠ VAROITUS!** Tuotetta ei ole tarkoitettu lasten eikä sellaisten ihmisten käytettäväksi, joiden ruumiin, aistien tai mielen suorituskyky on heikentynyt. Jonkun muun kuin käyttäjän on pidettävä silmällä nuoria lapsia, jotta he eivät pääse leikkimään tuotteella tai sen lähellä.

**⚠ VAROITUS!** Tuotetta käytettäessä on ryhdyttävä varotoimiin tulipalon, sähköiskun ja loukkaantumisen välttämiseksi. Lue kaikki turvallisuusohjeet huolella ennen tuotteen käyttöä. Tutustu ohjaimiin ja tuotteen asianmukaiseen käyttöön. Säilytä ohjeet tulevaa käyttöä varten.

## KOULUTUS

- Perekhdy käyttöohjeisiin ennen kuin yrität käyttää laitetta.
- Älä anna lasten tai käyttöohjeita tuntemattomien ihmisten käyttää laitetta. Paikalliset säädökset saattavat asettaa rajastuksia käyttäjän iälle.
- Laitteen käyttäjä on vastuussa muille mahdollisesti tapahtuvista onnettomuuksista tai aiheutuvista omaisuusvahingoista

## VALMISTELUT

- Älä koskaan käytä laitetta, jos lähistöllä on ihmisiä, erityisesti lapsia, tai lemmikkejä.
- Älä käytä laitetta huonolla säällä, varsinkaan, jos on vaaraa salamoinnista. Pidä kuulosuojaimia ja suojalaseja aina kun käytät silppuria.

- Käytä aina tuotetta käyttäessäsi asianmukaisia jalkineita ja pitkiä housuja. Älä käytä laitetta paljasjaloin tai avosandaaleissa. Älä käytä löysiä vaatteita tai vaatteita, joista riippuu nuoria tai siteitä.
- Käytä laitetta vain avoimella paikalla (esim. kaukana seinästä tai kiinteistä kohteista), ja tukevalla, tasaisella alustalla.
- Älä käytä laitetta päällystetyllä tai sorapinnalla, jossa singonneet materiaalit voivat aiheuttaa loukkaantumisen.
- Ennen kuin käynnistät tuotteen, tarkista että kaikki ruuvit, mutterit, pulkit ja muut kiinnikkeet on kiinnitetty tiukasti ja että suojukset ja keräimet ovat paikoillaan. Ota yhteys valtuutettuun huoltoliikkeeseen vaurioituneiden osien tai lukukelvottomien merkintöjen vaihtamiseksi.

## AKKUTYÖKALUN KUNNOSSAPITO JA KÄYTTÖ

- Käytä lataukseen ainoastaan valmistajan suosittelemaa laturia. Tiettyyn akkuun sopiva laturi voi aiheuttaa riskin, kun sitä käytetään toisen akun kanssa.
- Käytä sähkötyökäluä ainoastaan sitä varten suunniteltujen akkujen kanssa. Muiden akkujen käyttö voi johtaa loukkaantumiseen ja tulipaloon.
- Kun akkua ei käytetä, pidä se erillään metalliesineistä, kuten paperiliittimistä, kolikoista, avaimista, nautoista, ruuveista ja muista pienistä metalliesineistä, jotka voivat yhdistää akun navat. Akun napojen oikosulkeminen voi aiheuttaa palovammoja ja tulipalon.
- Jos akkua käsitellään väärin, siitä voi vuotaa nestettä; älä kosketa sitä. Jos kosketat sitä vahingossa, huuhtele se vedellä. Jos nestettä pääsee silmiin, hakeudu välittömästi lääkärin hoitoon. Akusta vuotanut neste voi ärsyttää ihoa ja aiheuttaa palovammoja.
- Vaurioitunutta tai muunneltua akkua tai työkalua ei saa käyttää. Vaurioituneet tai muunnellut akut voivat käyttäytyä odottamattomasti, ja ne voivat johtaa tulipaloon, räjähdykseen, vaaraan tai tapaturmaan.
- Älä altista akkua tai työkalua tulelle tai liian korkealle lämpötilalle. Tullelle tai yli 130 °C:n lämpötilalle altistuminen voi johtaa räjähdykseen.
- Noudata latausohjeita äläkä lataa akkua tai työkalua muissa kuin ohjeissa määritellyissä lämpötiloissa. Virheellinen lataus tai määritellyistä poikkeavat lämpötilat saattavat johtaa akun vaurioitumiseen ja lisätä tulipalon vaaraa.

## HUOLTO

- Huollata työkone pätevällä huoltomiehellä, joka käyttää ainoastaan asianmukaisia varaosia. Tämä varmistaa, että sähkötyökalu on turvallinen.
- Vaurioituneita akkuja ei koskaan saa huoltaa. Akkuja saa huoltaa vain valmistaja tai valtuutettu huoltoliike.

### JOHDOTTOMAN SILPPURIN TURVALLISUUSVAROITUKSET

- Kun valmistele laitetta käyttöä varten, varmista, että laite seisoo tukevasti paikallaan eikä vaaraa kaatumisesta ole. Jos laitteesta katkaistaan virta liian aikaisessa vaiheessa, jäljellä olevat materiaali voi tukkia teräköönpanon ja pysäyttää moottorin, kun laitteeseen seuraavan kerran kytketään virta.
- Ennen kuin aloitat laitteen käytön, tarkista, että kerääjä on tyhjä.
- Pidä kasvosi ja vartalosi kaukana ottoaukosta.
- Älä päästä käsiä, muita ruumiinosia tai vaatteita pyörivien syöttökammioon, poistoaukkoon tai liikkuvien osien lähelle.
- Seiso aina tukevasti. Pysyttele tukevasti jaloillasi äläkä kurkota käsivartta liian kauas. Älä kurkota liian pitkälle. Kun syötät materiaalia laitteeseen, älä koskaan seiso sen pohjaa korkeammalla tasolla. Kävele, älä koskaan juokse.
- Pysyttele aina turvallisen matkan päässä sivussa purkualueelta, kun käytät laitetta.
- Kun syötät laitteeseen materiaalia, varo, ettei mukana mene metallipaloja, kiviä, pulloja, tölkkejä tai muita vierasesineitä.
- Jos leikkurimekanismi osuu vierasesineisiin tai laitteesta alkaa kuulua outoa ääntä tai se tärisee oudosti, sammuta laite ja anna leikkureiden pysähtyä kokonaan. Irrota akku laitteesta. Suorita seuraavat vaiheet:
  - Tutki laite vaurioiden varalta.
  - Tarkista laite ja kiristä mahdollisesti löysällä olevat osat.
  - vaihda tai korjaa kaikki vioittuneet osat
- Älä anna käsitellyn materiaalin kerääntyä poistokuiluun; tämä voi estää asianmukaisen tyhjentyksen tai aiheuttaa tukoksen ja saada materiaalia sinkoamaan ulos syöttöaukosta.

- Jos laite tukkeutuu, sammuta se ja anna leikkureiden pysähtyä kokonaan. Irrota akku ennen roskien poistamista.
- Älä koskaan käytä tuotetta, jos suojuukset, luukut, keräin tai muut suojalaitteet ovat viallisia, poissa paikoiltaan tai epäkunnossa.
- Älä siirrä tai kuljeta laitetta sen ollessa käynnissä.
- Katkaise virta ja irrota akku. Varmista, että kaikki liikkuvat osat ovat pysähtyneet täysin:
  - ennen laitteen luota poistamista
  - ennen tukoksen poistamista
  - ennen tuotteen tarkastusta, puhdistusta ja huoltoa
- Älä kallista laitetta sen ollessa käynnissä.
- Laitteen pitkittynyt käyttö voi aiheuttaa tai vaikeuttaa vammoja. Jos käytät laitetta jatkuvasti pitkään, muista pitää työssä säännöllisiä taukoja.
- Älä muunna laitetta millään tavoin tai käytä osia tai lisävarusteita, jotka eivät ole valmistajan suosittelemia. Se voi lisätä riskiä vakavasta henkilövahingosta.
- Varmista aina, että ilmanvaihtoaukot ovat roskista puhtaat. Moottori voi ylikuumentua, mikä taas voi vaurioittaa laitetta tai lisätä tulipalon vaaraa.
- Sammuta tuote ennen keräimen asennusta ja irrottamista.
- Katkaise laitteesta virta välittömästi onnettomuuden tai toimintahäiriön sattuessa. Älä käytä laitetta ennen kuin se on perusteellisesti tutkittu valtuutetussa huoltoliikkeessä.

### SILPPUAMISOPAS

Noudata alla olevan taulukon ohjeita taataksesi parhaat silppuamistulokset.

MATERIAALI	SILPPUAMISTAPA
Enintään 45 mm:n paksuiset oksat.	Leikkaa kaikki sivukasvut pois leikkureilla ennen kuin syötät materiaalin syöttösuppilon.
Taimet, rikkaruohot ja pensaat	Napauta maa ja kivet irti juurista, jotta terät eivät vioitu.

Vasta leikatut lehdet, pensasaidat ja keittiöjäte (kuten kaalinlehdet, vihannesleikkeet jne.)

Kun käsittelet kosteaa materiaalia, suositellaan että syötät säännöllisesti kuivempia tikkuja, jotta materiaali poistuu leikkuukokoonpanosta estäen sen tukkeutumisen.

Kuivat tikut ja risut

Kun jätät ne silppuamistyön loppuvaiheeseen, ne poistavat kosteutta ja kasvien mahlaa tuotteen sisältä ja leikkuukokoonpanosta.

- Älä päästä puutarhajätettä kerääntymään ennen silppuamista, sillä se alkaa kompostoitua, kastuu liiaksi ja tukkii leikkuukokoonpanon. Kuiva materiaali auttaa muuta materiaalia poistumaan poistokuilusta. Säästä muutama kuiva tikku viimeiseksi puhdistaksesi teräalueen.
- Seuraa säännöllisesti silpun kertymistä.
- Kun keräin täyttää, sammuta tuote ennen sen tyhjennystä.
- Kun syötät tuotteeseen pitkiä puunoksia/varsia, varo niistä mahdollisesti aiheutuvaa iskua ja tärinää, kun ne tarttuvat leikkuriin. Käyttäjän on käytettävä suojalaseja aina tuotetta käyttäessään.
- Leikkuulaite pyrkii vetämään oksia/varsia tuotteen sisään. Älä yritä estää leikkuumateriaalin kulkua syötön alettua. Käytä aina käsineitä estääksesi ihon leikkaantumisen syöttäessäsi materiaalia tuotteeseen.
- Normaalkäytössä virtalaitteestatuleekatkaista vasta sen jälkeen, kun leikkurikokoonpanossa ei enää ole jäljellä silputtua materiaalia. Jos laitteesta katkaistaan virta liian aikaisessa vaiheessa, jäljellä olevat materiaali voi tukkia teräkokoonpanon ja pysäyttää moottorin, kun laitteeseen seuraavan kerran kytketään virta.

## KULJETUS JA VARASTOITAESSA

- Sammuta laite, poista akkupakkaus ja anna laitteen jäähtyä ennen sen varastointia tai kuljetusta.
- Varmista, että tuote puhdistetaan huolella ennen sen varastoimista puhtaaseen, kuivaan paikkaan pois lasten ulottuvilta.

- Kiinnitä tuote kuljetettaessa siten, että se ei pääse liikkumaan tai kaatumaan, jotta välttyä loukkaantumisilta ja vaurioilta.

## LITIUMAKKUJEN KULJETTAMINEN

Kuljeta akkuja paikallisten ja kansallisten ehtojen ja säädösten mukaisesti.

Noudata kaikkia pakkaamista ja nimeämistä koskevia erikoissäädöksiä, kun kolmas osapuoli kuljettaa akkuja. Varmista, että mikään akku ei kosketa muita akkuja tai johtavaa materiaalia kuljetuksen aikana suojaamalla paljaat navat eristävillä, johtamattomilla korkeilla tai teipillä. Älä kuljeta akkuja, jotka ovat halkeilleet tai vuotavat. Kysy välitysyritykseltä lisäneuvoja.

## MUITA AKUN

### TURVALLISUUSVAROITUKSIA

- Jotta oikosulusta aiheutuva tulipalon, loukkaantumisen ja tuotevaurion riski olisi pienempi, älä koskaan upota akkupakkausta tai laturia nesteeseen tai päästä nestettä niiden sisälle. Syövyttävät tai sähköä johtavat nesteet, kuten suolavesi, tietyt kemikaalit ja lalkaisuaineet tai valkaisuaineita sisältävät tuotteet voivat aiheuttaa lyhytsulun.
- Lataa akku paikassa, jossa ympäristön lämpötila on välillä 10 °C – 38 °C.
- Säilytä akkupakkausta paikassa, jossa ympäristön lämpötila on välillä 0 °C – 20 °C.
- Käytä akkupakkausta paikassa, jossa ympäristön lämpötila on välillä 0 °C – 40 °C.

## HUOLTO

- Käytä ainoastaan alkuperäisiä valmistajan tuottamia varaosia, lisälaitteita ja lisävarusteita. Tämän noudattamatta jättäminen voi johtaa loukkaantumiseen ja huonoon tulokseen ja voi mitätöidä takuun.
- Ennen laitteen puhdistamista, tarkastamista tai huoltamista sammuta laite, anna leikkureiden pysähtyä kokonaan ja irrota akku. Leikkuumeکانismi kuumenee, kun sillä on silputtu jonkun aikaa. Anna laitteen jäähtyä ennen puhdistamista, tarkastamista tai säätöä.
- Terät ovat erittäin teräviä. Jotta välttyä loukkaantumiselta, ole erittäin varovainen puhdistaussasi teriä tai työskennellessäsi niiden lähellä tai avoimen kotelon sisäpuolella, kun keräin on irrotettu. Käytä aina raskaan käytön suojakäsineitä.

- Huomaa, että terää voi yhä liikuttaa virran ollessa katkaistuna ja interlock-kytkimen ollessa päällä.
- Jotta tuote toimisi parhaiten, se on pidettävä puhtaana.
- Puhdista tuote aina heti käytön jälkeen. Käytä aina kun mahdollista jäykkää harjaa syöttösuppilon ja poistokourun sisällä ja kuivaa liinaa tuotteen ulkopuolella.
- Älä päästä mitään materiaalia kuivumaan ja kovettumaan mihinkään laitteen pinnoista, erityisesti teriin. Tämä vaikuttaa suoraan silppuamistulokseen.
- Varmista, että suppilo ja poistokuilu pidetään puhtaana ja roskattomana.
- Varmista, että kaikki mutterit, pultit ja ruuvit (paitsi säätöruuvi) ovat tiukasti kiinni.
- Korjauta tai vaihdata aina kaikki vioittuneet tai kuluneet osat pätevällä henkilöllä valtuutetussa huollossa.
- Älä koskaan yritä ohittaa keräimen tai leikkuukokoonpanon etuluukun interlock-kytkimiä.
- Älä koskaan päästä jarrunesteitä, bensiiniä, öljytuotteita, läpäiseviä öljyjä tms. kosketuksiin muoviosien kanssa. Älä koskaan käytä laitteen puhdistamiseen jarrunesteitä, bensiiniä, öljypohjaisia tuotteita tai liuottimia. Suurin osa muoveista ei siedä markkinoilla olevia määrättyjä liuotteita, jotka vahingoittavat niitä.
- Käyttäjä saa suorittaa tässä käsikirjassa kuvatut ylläpitotoimet. Huollata ja korjauta laite muuten ainoastaan valtuutetussa huoltoliikkeessä.

## MURSKAUSLEVYN SÄÄTÖ

- Jos laite ei silppua materiaalia, murskauslevy voi vaatia säätöä tai terät teroittamista.
- Ajan mittaan laitteen murskauslevy vaatii säätämistä. Tämä voidaan suorittaa säätämällä murskauslevyä siten, että se koskettaa teriä hieman. Varmista, että laitteeseen on kytketty virta ja että se toimii normaalissa myötäsunnassa.
- Murskauslevyn säätäminen moottorin ollessa poiskytkettynä saattaa vioittaa laitetta pahasti.

**HUOMAUTUS:** Murskauslevyä tulee yrittää säätää vain silloin, kun se katsotaan täysin välttämättömäksi. Murskauslevyn säätäminen liian usein tai liian pitkälle saattaa pysäyttää laitteen toiminnan.

1. Kun laite on käynnissä, kierrä säätönuppia myötäpäivään.
2. Kun kuulet metallikosketuksen tai havaitset hienoja alumiinilastuja keräyssäiliön pohjalla, lopeta säätäminen ja anna laitteen käydä 30 sekunnin ajan. Kierrä sitten säätönuppia ½–1 kierrosta vastapäivään, kunnes se ei enää kosketa murskauslevyä ja jättää 1 mm:n raon.

**HUOMAUTUS:** Suorita säädöt hitaasti, jotta tuote ei vahingoitu. Levyn ylisäättö voi vahingoittaa tuotetta vakavasti.

## MURSKAUSLEVYN SÄÄTÖ KALIBROINTITILAN AVULLA

**HUOMAUTUS:** Varmista, että tuote on sammuksissa.

1. Kun tuote on sammuksissa, pidä kalibrointitilapainiketta painettuna ja paina sitten käynnistyspainiketta. Terä alkaa liikkua kalibroinnin aloittamiseksi.
2. Käännä murskauslevyn säätönuppia myötäpäivään, kunnes tuote sammuu.

**HUOMAUTUS:** Kierrä nuppia ½–1 kierrosta vastapäivään, kunnes murskauslevy ja terät eivät enää kosketa.

3. Voit syöttää materiaalin laitteeseen uudelleen painamalla käynnistyspainiketta.

## TUNNE TUOTTEESI

*Katso sivu 185.*

1. Akkutila
2. Peruutuspainike
3. Kalibrointitilapainike
4. Pysäytyspainike
5. Syöttösuppilo
6. Käynnistyspainike
7. Akkutilan kansi
8. Murskauslevyn säätönuppi
9. Metallirungon vapautuspainike
10. Metallikehys
11. Salpa
12. Akseli
13. Materiaalityönnin
14. Pyörä
15. Haarasokka
16. Prikka
17. Pölykapseli
18. Manuaalinen leikkuu
19. Torx-avain
20. Keräyssäiliö
21. Akku
22. Laturi

## TUOTTEESSA OLEVAT SYMBOLIT



Kaikki ohjeet on luettava ja ymmärrettävä ennen tuotteen käyttöä. Noudata varoituksia ja turvallisuusohjeita.



Varo sinkoutuneita ja muita lentäviä esineitä. Pidä kaikki sivulliset vähintään 15 metrin päässä toiminta-alueelta – erityisesti lapset ja lemmikit.



Varoitus! Irrota akku ennen laitteen huoltoa, säätöä ja puhdistusta.



Vaara! Pyörivät terät. Pidä kädet ja jalat poissa aukoista tuotteen käytössä.



Käytä näkö- ja kuulosuojausta.



Älä käytä astinlautana.



Odota, että laitteen kaikki osat ovat kokonaan pysähtyneet, ennen kuin kosket niihin.



Taattu äänenteho



Käytä luisumattomia raskaan käytön suojakäsineitä.



Kun laite on pois päältä ja kouru on tyhjä, aloita terän kalibrointi painamalla kalibrointipainiketta.



Paina käynnistääksesi ja paina uudelleen vaihtaaksesi nopeutta.



Pidä painiketta painettuna, jos haluat käyttää peruutustilaa.



Eurooppalainen vaatimustenmukaisuusmerkintä



Brittiläinen vaatimustenmukaisuusmerkintä



EurAsian-vaatimustenmukaisuusmerkki



Ukrainalainen vaatimustenmukaisuusmerkintä



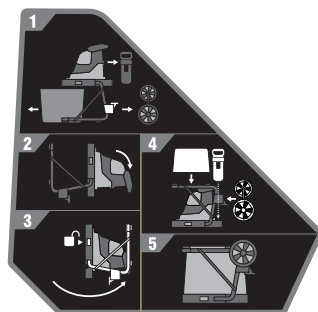
Kalibrointitila



Ylikuormitettu



Keräyssäiliö ei ole paikoillaan



1. Irrota pyörän akseli, säiliö ja mäntä.
2. Aseta laite maahan kahvat alaspäin.
3. Paina metallirungon vapautuspainiketta ja taita jalat ylös, kunnes ne lukittuvat paikoilleen.
4. Aseta pyörän akseli, säiliö ja mäntä niiden säilytyspaikoihin.
5. Säilytä laitetta viileässä, kuivassa ja hyvin ilmastoidussa paikassa.



Älä hävitä käytettyjä akkuja sekä sähkö- ja elektroniikkalaiteromua lajittelemattomana yhdyskuntajätteenä. Käytetyt akut sekä sähkö- ja elektroniikkalaiteromu on kerättävä erikseen. Käytetyt paristot ja akut ja hukkavalonlähteet on poistettava laitteista. Kysy paikalliselta viranomaiselta tai jälleenmyyjältä kierrätysneuvoja ja tietoja keräyspisteistä. Paikallisten määräysten mukaan jälleenmyyjillä voi olla velvollisuus ottaa käytetyt akut sekä sähkö- ja elektroniikkalaiteromu takaisin veloitusetta. Panoksesi käytettyjen akkujen sekä sähkö- ja elektroniikkalaiteromun uudelleenkäyttöön ja kierrätykseen auttaa vähentämään raaka-aineiden kysyntää. Käytetyt, erityisesti litiumia sisältävät akut sekä sähkö- ja elektroniikkalaiteromu sisältävät arvokkaita ja kierrätettäviä materiaaleja, jotka voivat vaikuttaa haitallisesti ympäristöön ja ihmisten terveyteen, jos niitä ei hävitetä ympäristöystävällisellä tavalla. Poista mahdolliset henkilötiedot jätelaitteista.



## TÄMÄN KÄSIKIRJAN SYMBOLIT



Osat ja lisävarusteet on hankittava erikseen



Huom



Varoitus



Lukko



Avaa

## VIANHAKU

ONGELMA	SYY	TARKOITUS
Moottori ei käy.	Lämpötilaylikuormitus	Anna laitteen jäähtyä 15 minuuttia. Näin voi tapahtua, kun ympäristön lämpötila on korkea ja laitetta on käytetty keskeytyksettä.
	Akku	Tarkista, että akku on täyteen latautunut, siinä ei ole merkkejä veden tunkeutumisesta, eikä se ole vaurioitunut. Testaa akku eri työkalussa varmistaaksesi, että se toimii oikein.
	Keräyssäiliö	Aseta keräyssäiliö säiliön sivussa olevien etikettien mukaan ja varmista, että se on kunnolla kiinni paikallaan ja etulukolla lukittuna.
	Teräsuojuslevy	Varmista, että kaikki neljä teräsuojuslevyn kiinnittävää pulttia on kiristetty kokonaan.
Kourulle ei syötetä materiaalia.	Syöttösuppilon on juuttunut materiaalia.	Poista tukokset käyttöoppaan ohjeiden mukaisesti.
	Murskauslevy on liian kaukana leikkuuterästä.	Noudata käyttöoppaan ohjeita murskauslevyn kiristyksestä.

Sikkerhet, ytelse og pålitelighet har fått topp prioritet ved konstruksjonen av denne kabelfrie kompostkvernen.

## TILTENKT BRUK

Den kabelfrie kompostkvernen er designet for å redusere mengden av organiske avfallsmaterialer i hagen, som kvister, greiner og løvblader.

Produktet skal brukes utendørs i stasjonær stilling av en operatør som står på et solid underlag.

Produktet er ikke beregnet til ikke-organisk materiale, metall eller materiale som overskrider maksimal kuttekapasitet.

Produktet må settes på medfølgende stativ og må brukes med medfølgende oppsamler. Maskinen må ikke monteres på annet vis enn vist her i denne manualen.

Den skal ikke brukes til noe annet formål

## GENERELLE SIKKERHETSADVARSLER

**⚠ ADVARSEL!** Dette produktet er ikke ment å bli brukt av barn eller personer med nedsatte fysiske, mentale eller sensoriske evner. Små barn skal hele tiden holdes under tilsyn av en annen person enn operatøren for å sikre at de ikke leker nær eller med produktet.

**⚠ ADVARSEL!** Når man bruker produktet, skal man alltid følge grunnleggende sikkerhetstiltak for å minske faren for brann, elektrisk støt og personskade. Les alle disse sikkerhetsinstruksjonene nøye før du bruker produktet. Gjør deg kjent med styringen og riktig bruk av produktet. Vennligst ta vare på instruksjonene for fremtidig bruk.

## OPPLÆRING

- Gjør deg kjent med instruksjonene før du bruker produktet.
- Ikke tillat at barn eller personer som ikke er kjent med brukermanualen bruke produktet. Lokale forskrifter fastlegger brukerens minstealder.
- Operatøren eller brukeren av produktet er ansvarlig for ulykker eller farer for andre folk eller deres eiendom.

## KLARGJØRING

- Ikke bruk maskinen dersom andre personer - og spesielt barn - eller dyr er i nærheten.

- Ikke bruk produktet under dårlige værforhold, spesielt når det er fare for lyn. Bruk hørselvern og vernebriller til enhver tid ved bruk av produktet.
- Når du bruker produktet, ha alltid på gode sko og lange bukser. Ikke bruk maskinen uten sko eller med åpne sandaler. Unngå å bruke klær som er løstsittende eller som har hengende snorer eller belter.
- Bruk kun produktet på et åpent område (f.eks. ikke nær en vegg eller en festet gjenstand) og på en stødig og jevn overflate.
- Ikke bruk maskinen på asfaltert eller gruslagt overflate der utkastet materiale kan føre til skade.
- Før du starter produktet, sjekk at alle skruer, mutter, bolter og andre fester sitter godt og at sikkerhetsanordninger og oppsamler er på plass. Bring produktet til et autorisert servicesenter for å skifte ut skadede eller uleselige merkelapper.

## PLEIE OG BRUK AV BATTERI

- Lad bare med ladere som er spesifisert av produsenten. En lader som er egnet for én type batteripakke kan utgjøre en fare ved bruk sammen med en annen batteripakke.
- Bruk patteriprodukter kun med spesielt tiltenkte batteripakker. Bruk av andre batteripakker kan føre til risiko for skade og brann.
- Når batteripakken ikke er i bruk, hold den borte fra metallgjenstander som binders, mynter, nøkler, spiker, skruer og annet som kan forbinde de to terminalene med hverandre. Kortslutning av batteriterminalene kan føre til brenning eller brann.
- Ved feil bruk av batteriet kan det slippe ut væske. Hvis du får kontakt med væsken fra batteriet, skyll med rikelige mengder vann. Hvis væsken får kontakt med øynene må det søkes medisinsk hjelp. Væske som kommer ut av batteriet kan føre til irritasjon eller brannår.
- Ikke bruk et batteri eller verktøy som er skadet eller endret. Batterier som er skadd eller endret, kan oppføre seg uforutsigbart, noe som kan føre til brann, eksplosjon og personskade.
- Ikke utsett batteriet eller verktøyet for ild eller høy temperatur. Eksponering for brann eller temperatur over 130 °C kan føre til eksplosjon.

EN

FR

DE

ES

IT

NL

PT

DA

SV

FI

NO

RU

PL

CS

HU

RO

LV

LT

ET

HR

SL

SK

BG

UK

TR

- Alle ladeinstruksjoner må følges. Ikke lad batteriet eller verktøyet hvis omgivelsestemperaturen er utenfor området som er angitt i bruksanvisningen. Feil lading eller lading ved temperaturer utenfor det angitte området kan ødelegge batteriet og øke risikoen for brann.

## VEDLIKEHOLD

- Sørg for at reparasjoner og vedlikehold av ditt elektriske verktøy utføres av kvalifiserte teknikere som kun bruker originale erstatningsdeler. Dette vil sørge for at sikkerheten med det elektriske verktøyet ivaretas.
- Aldri utfør vedlikehold på skadde batteripakker. Vedlikehold av batterier skal bare utføres av produsenten eller autoriserte serviceleverandører.

## SIKKERHETSADVARSLER ANGÅENDE DEN KABELFRI KOMPOSTKVERNEN

- Pass på at produktet er sikret slik at det ikke velter når du klargjør produktet. Hvis produktet slås av for raskt kan gjenstående deler av materialer tette kutteren og stoppe motoren når produktet slås på igjen.
- Før start av produktet, se inn i matekammeret for sikre at det er tomt.
- Hold ansikt og andre kroppsdeler vekk fra mateåpningen.
- Ikke la hender eller noen annen del av kroppen eller klær komme inn i matekammeret, utkastkurven eller i kontakt med noen bevegelig del.
- Sørg alltid for godt fotfeste. Sørg for godt fotfeste og god balanse til enhver tid. Ikke len deg for langt. Stå aldri på et høyere nivå enn basen av produktet ved mating av material inn i dette. Gå, du må aldri løpe mens du arbeider med maskinen.
- Stå alltid utenfor kuttesonen når du bruker produktet.
- Ved mating av materialet til produktet vær ekstremt forsiktig for å sikre at biter av metall, steiner, flasker, kanner eller andre fremmedlegemer ikke er inkludert.
- Hvis kuttemekanismen treffer noen fremmedelementer, eller hvis produktet lager en uvanlig lyd eller begynner å vibrere, må det slås av slik at alle knivbladene kan slutte å rotere. Fjern batteripakken. Utfør følgende trinn:
  - Undersøk produktet forsiktig for skade.
  - Kontroller og trekk til eventuelle løse deler av produktet.
  - erstatt eller reparer enhver skadet del

- Ikke la ferdigkvernet materiale samle seg i utgangsrennen fordi det kan hindre utløp eller blokkere utgangen og føre til tilbakeslag av materiale gjennom mateåpningen.
- Slå av produktet og la knivbladene slutte å rotere helt hvis produktet tettes. Fjern batteriet før avfall fjernes.
- Du må aldri bruke produktet hvis beskyttelser, deksler, oppsamler eller andre sikkerhetsanordninger er i ustand, ikke satt på eller hvis de ikke fungerer som de skal.
- Produktet skal ikke flyttes eller transporteres når motoren er slått på.
- Slå av og ta ut batteripakken. Påse at alle bevegelige deler har stoppet helt:
  - før produktet etterlates uten oppsyn
  - før rengjøring av en blokkering
  - før kontroll, rensing og arbeider på produktet
- Ikke skråstill produktet mens det er i drift.
- Hvis man bruker verktøyet for lenge av gangen, kan det føre til eller forverre allerede eksisterende personskade. Sørg for å ta regelmessige pauser når du bruker et produkt over lengre tid.
- Du må ikke endre maskinen på noe måte eller bruke deler og tilbehør som ikke er anbefalt brukt av produsenten. Dette kan øke risikoen for alvorlig personskade for deg selv eller andre.
- Pass på at ventilasjonsåpningene er fri for rusk. Motoren kan overopphetes, noe som kan føre til skade på produktet eller øke risikoen for brann.
- Slå av produktet før du kobler til eller fjerner oppsamlingsbøtten.
- Slå umiddelbart av og fjern batteripakken i tilfelle en ulykke eller svikt. Ikke bruk redskapen igjen før den er nøye kontrollert av et autorisert servicesenter.

## KVERNEFØRING

Man oppnår best resultat når man kverner i samsvar med retningslinjene vist i tabellen under.

### MATERIALER

### KVERNEMETODE

Grener opp til 40 mm i diameter.

Kutt av alle sidegrener med en grensaks før du mater hageavfallet inn i trakten.

Planter i bed,  
ugress og buskas

Bank løst jord og  
steiner fra røttene for  
å unngå at bladene  
skades.

Nykuttede  
blader, hekker  
og kjøkkenavfall  
(f.eks. kålblader,  
grønnsaksskrell  
osv.)

Er hageavfallet veldig  
fuktig anbefaler vi at du  
regelmessig mater inn  
noen tørre kvister for  
å hjelpe til at kvernet  
avfall går gjennom  
kutteenheten og slik  
hindrer at avfallet  
klumper seg.

Tørre pinner og  
kvister

Å sette disse  
inn på slutten av  
oppkappingsprosessen  
vil bidra til å  
fjerne fuktighet og  
plantesafter fra  
innsiden av produktet  
og klippeenheten.

- Ikke la hageavfall samle seg før du skal kverne det fordi det vil starte å kompostere seg, bli for fuktig og klumpe seg i kutteenheten. Tørt materiale vil hjelpe i de fleste tilfeller å rense utløpsrennen. Spar noen tørre pinner til slutt for å lette rengjøringen av knivbladenheten.
- Overvåk opphopningen av oppskåret materiale.
- Slå av produktet før du tømmer oppsamlingsboksen når den er full.
- Når du mater lange treaktige grener / stilker inn i maskinen, vær forsiktig at de ikke pisker tilbake eller vibrerer når kvernen griper i de. Operatøren må anvende øyebeskyttelse når dette produktet brukes.
- Kutteenheten har en tendens til å dra grener / stilker inn i produktet. Ikke prøv å hindre materiale i å bli trekt inn når matingen har startet. Bruk alltid hansker for å unngå å skrape opp huden når materiell skyves inn i produktet.
- For normalt bruk, ikke slå av produktet før alt av det skreddede materiale har kommet seg gjennom kutteren. Hvis produktet slås av for raskt kan gjenstående deler av materialer tette kutteren og stoppe motoren når produktet slås på igjen.

## TRANSPORT OG LAGRING

- Slå av produktet, ta ut batteripakken og la det kjøles av før lagring eller transport.
- Påse at produktet er rengjort godt før du stuer det unna på et rent og tørt sted, trygt unna slik at barn ikke kan nå det.
- Ved transport må produktet sikres mot å komme i bevegelse eller falle for å unngå skade på personer, ting eller på produktet.

## TRANSPORTERE LITIUM-BATTERIER

Transporter batterier i henhold til lokale og nasjonale lover og forskrifter.

Følg alle spesialkrav med hensyn til emballering og merking når batterier transporteres av en tredjepart. Påse at ingen batterier kan komme i kontakt med andre batterier eller ledende materialer under transporten ved å beskytte åpne kontakter med isolasjon, ikkeledende lokk eller tape. Ikke transporter batterier som er sprukne eller som lekker. Kontakt speditøren for å få ytterligere råd.

## EKSTRA SIKKERHETSINSTRUKSER FOR BATTERI

- For å redusere risikoen for brann, personskade og produktskade på grunn av en kortslutning skal produktet, batteripakken eller laderen aldri senkes ned i væske, og væske skal aldri flyte inn på innsiden av disse. Korroderende og ledende væsker som saltvann, visse kjemikalier og blekemidler eller produkt som inneholder blekemidler kan forårsake en kortslutning.
- Lad batteripakken på et sted der omgivelsestemperaturen er mellom 10 °C og 38 °C.
- Oppbevar batteripakken på et sted der omgivelsestemperaturen er mellom 0 °C og 20 °C.
- Bruk batteripakken på et sted der omgivelsestemperaturen er mellom 0 °C og 40 °C.

## VEDLIKEHOLD

- Bruk kun produsentens originale reservedeler, tilleggsutstyr og påsatser. Dersom dette ikke følges, kan det forårsake personskader, dårlig funksjon og kan annullere garantien din.
- Produktet skal slås av før det rengjøres, kontrolleres eller vedlikeholdes, slik at knivbladene stanser helt opp. Fjern batteripakken. Etter noen tids fragmentering vil oppkappingsmekanismen

bli varm. La det kjøle seg ned før du rengjør, inspisierer eller justerer det.

- Kappeknivene er ekstremt skarpe. For å unngå personskade, vær meget forsiktig når du rengjør eller gjør annet nær bladene eller innvendig i åpningen, samt når oppsamleren er fjernet. Bruk alltid passende vernehansker.
- Vær oppmerksom på at kutteenheten kan fortsatt beveges enda strømmen er skrudd av eller hvis låsebryteren er skrudd på.
- For å sikre beste effekt fra maskinen, må den holdes ren.
- Rengjør produktet alltid rett etter bruk. Der hvor det er mulig må det brukes en stiv børste på innsiden av mateåpningen og i utkaståpningen og en tørr klut på utsiden av produktet.
- Unngå at materialer blir tørre og harde på alle overflatene til produktet, men spesielt på knivbladene. Dette vil direkte påvirke kverneeffekten.
- Sjekk at trakten og utkasteren holdes rene og fri for alt unødvendig materiale.
- Se til at alle muttere, bolter og skruer (unntatt justeringskruene) er godt fastspent og sikre.
- Sørg alltid for at skadede deler skiftes eller repareres av kvalifiserte personer ved et autorisert servicesenter.
- Du må aldri forsøke å omgå låsebryterne på oppsamleren eller frontdekselet på kvernemaskinen.
- Ikke på noe tidspunkt må du la bremsevæske, bensin, petroleumsbaserte produkter, rustoppløsende oljer og lignende komme i kontakt med plastdelene. Bruk aldri bremsevæsker, bensin, bensinbaserte produkter eller løsemidler til å rengjøre produktet. De fleste plastikkstoffene vil bli skadet dersom forskjellige tilgjengelige løsemiddel brukes på gressklipperen.
- Du kan utføre de vedlikeholdsoppgavene som er beskrevet i denne manualen. For andre reparasjoner få utført service på produktet av et autorisert servicesenter.

## JUSTERE KNUSEPLATEN

- Hvis produktet ikke knuser materiale, kan det hende at knusingsplaten må justeres, eller at knivene må slipes.
- Over tid må knuseplaten på produktet justeres. Dette kan fullføres ved å justere knuseplaten slik at den kommer i lett kontakt med bladene. Pass på at produktet er slått på og fungerer i normal framgående retning.
- Justering av knuseplaten mens motoren er slått på kan føre til alvorlig skade på produktet.

**MERK:** Justering av knuteplaten skal bare forsøkes når det anses som helt nødvendig. Å justere knuseplaten for ofte eller for langt kan føre til at produktet slutter å fungere.

1. Skru justeringsknotten med klokken mens produktet er i drift.
2. Når du hører metall-mot-metall, eller du ser fine aluminiumspon i bunnen av samlebeholderen, stopp justeringen og la produktet kjøre i 30 sekunder. Vri deretter justeringsknotten mot klokken 0,5-1,0 runde til den ikke lenger er i kontakt med knuseplaten, og la det være et mellomrom på 1 mm.

**MERK:** Gjør alle justeringer sakte for å unngå skade på produktet. Overjustering av platen kan forårsake alvorlig skade på produktet.

## JUSTERE KNUSEPLATEN MED KALIBRERINGSMODUS

**MERK:** Se til at produktet er i avslått tilstand.

1. Når produktet er av, hold nede kalibreringsmodusknappen og trykk deretter på startknappen. Bladet vil begynne å kalibrere.
2. Skru justeringsknotten med klokken til produktet slår seg av.

**MERK:** Vri knotten mot klokka 0,5-1,0 runde til knusingsplaten og knivene ikke lenger er i kontakt.

3. Trykk på startknappen for å mate materialet på nytt inn i produktet.

## KJENN PRODUKTET DITT

Se side 185.

1. Batteriåpning
2. Reversknapp
3. Kallibreringsmodusknapp
4. Stoppknapp
5. Matingsrenne
6. Start-knapp
7. Batteridør
8. Justeringsknapp for knuseplate
9. Metallrammefrigivelsesknapp
10. Metallramme
11. Lås
12. Aksel
13. Materialsugekopp
14. Hjul
15. Delt bolt
16. Pakning
17. Navhette
18. Brukermanual
19. Torx-nøkkel
20. Oppsamlingsbøtte
21. Batteri
22. Lader

## SYMBOLER PÅ PRODUKTET



Les og forstå alle instruksjoner før du betjener produktet. Følg alle advarsler og sikkerhetsanvisninger.



Pass opp for gjenstander som slynges ut eller flyr i luften. Hold tilskuere, spesielt barn og dyr, på god avstand, det vil si minst 15 meter fra arbeidsområdet



Advarsel! Koble fra batteripakken før vedlikehold, justering og rengjøring.



Fare! Roterende blader. Hold hender og føtter unna åpninger mens produktet er i gang.



Bruke syns- og hørselsvern



Ikke bruk som gardintrapp.



Vent til alle produktkomponentene har stoppet helt før du berører dem.



Garantert lydeffektnivå



Bruk sklisikre og kraftige beskyttelseshansker.



Når produktet er av og sjakten er klar, trykk på kalibreringsknappen for å starte bladkalibrering.



Trykk for å slå på og trykk igjen for å veksle hastigheter.



Hold nede knappen for å kjøre i reversmodus.



Europeisk samsvarsmerking



Britisk samsvarsmerking



EurAsian samsvarsmerke



Ukrainsk samsvarsmerking



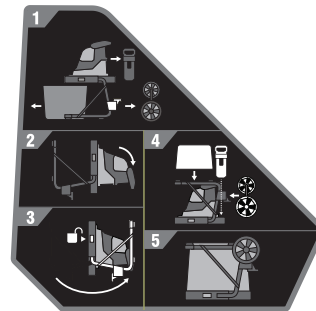
Kalibreringsmodus



Overlastet



Oppsamlingsbøtten er ikke satt inn



1. Fjern hjulakselen, beholderen og stampelet.
2. Legg produktet på bakken med håndtakene ned.
3. Trykk på metallrammefrigivelsesknappen og bøy opp føttene til de låses på plass.
4. Plasser hjulakselen, beholderen og stampelet på lagringsplassene.
5. Oppbevar produktet på et kjølig, tørt og godt ventilt sted.

Ikke kast avfallsbatterier, elektrisk og elektronisk utstyrsavfall som usortert kommunalt avfall. Avfallsbatterier og elektrisk og elektronisk utstyrsavfall må samles inn separat. Avfallsbatterier, avfallsakkumulatorer og lyskilder må fjernes fra utstyret. Undersøk med de lokale myndighetene for resirkuleringsråd og innsamlingspunkt. I henhold til lokale forskrifter kan forhandlere være forpliktet til å ta tilbake avfallsbatterier, elektrisk og elektronisk utstyrsavfall gratis. Ditt bidrag til gjenbruk av og gjenvinning av avfallsbatterier og elektrisk og elektronisk utstyrsavfall bidrar til å redusere etterspørselen etter råmaterialer. Avfallsbatterier, spesielt de som inneholder litium, og elektrisk og elektronisk utstyrsavfall inneholder verdifulle og resirkulerbare materialer som kan påvirke miljøet og menneskets helse negativt, hvis de ikke blir kastet på en miljøkompatibel måte. Slett personlig data fra utstyrsavfall, om noen.



## SYMBOLER I DENNE MANUALEN



Deler eller tilbehør som er tilgjengelige separat



Merk



Advarsel



Lås



Låse opp



FEILSØKING		
PROBLEM	GRUNN	HANDLING
Motor går ikke.	Temperaturoverbelastning	La produktet kjøle seg ned i 15 minutter. Dette kan oppstå når omgivelsestemperaturen er høy og produktet har vært brukt kontinuerlig uten pause.
	Batteri	Kontroller om batteripakken er fulladet, ikke har noen tegn på vanninntrengning og ikke er skadet. Test batteriet i et annet verktøy for å sikre at det fungerer riktig.
	Oppsamlingsbøtte	Sett inn oppsamlingsbeholderen basert på etikettene på siden av beholderen, og se til at den er satt helt inn med frontlåsen festet.
Materialet blir ikke matet inn i sjakten.	Bladdekselplate	Se til at alle de 4 boltene som holder bladdekselplaten er helt strammet.
	Materialet har satt seg fast i innmatningstrakten.	Følg anvisningene i brukermanualen for å fjerne det som sitter fast.
	Knuseplaten er for langt fra knivbladet.	Følg instruksjonene i håndboken for stramming av knuseplaten.

В основе конструкции вашего беспроводного измельчителя лежат принципы безопасности, продуктивности и надежности.

## НАЗНАЧЕНИЕ

Беспроводный измельчитель предназначен для утилизации органических садовых отходов, таких как ветки, побеги и листва.

Это изделие предназначено для использования оператором вне помещений в неподвижном положении в позе стоя.

Это изделие предназначено для работы с неорганическими материалами, металлом или материалами, характеристики которых не позволяют выполнять их измельчение.

Устройство устанавливается на стойке и используется с мусоросборником, входящими в комплект поставки. Установка должна выполняться строго в соответствии с указаниями, приведенными в данном руководстве.

Не используйте устройство для каких-либо иных целей.

## ОБЩИЕ ПРАВИЛА БЕЗОПАСНОСТИ

**⚠ ОСТОРОЖНО!** Данное устройство не предназначено для использования детьми или лицами с ограниченными физическими, психическими или сенсорными возможностями. Дети должны находиться под наблюдением взрослых, чтобы они не играли рядом с работающим оператором или с изделием.

**⚠ ОСТОРОЖНО!** При работе с устройством необходимо соблюдать общие правила безопасности, чтобы уменьшить риск возгорания, поражения электрическим током и получения травм. Внимательно полностью прочитайте эти инструкции по технике безопасности перед эксплуатацией изделия. Ознакомьтесь с элементами управления и правильным использованием устройства. Сохраните данные инструкции для последующего использования.

## ОБУЧЕНИЕ

- Перед началом использования изделия ознакомьтесь с инструкциями.
- Никогда не позволяйте детям или людям, незнакомым с этими инструкциями, использовать данное изделие. Местные инструкции могут ограничить возраст оператора.
- Оператор или пользователь изделия несет ответственность за несчастные случаи и риски в отношении третьих лиц или их собственности.

## ПОДГОТОВКА

- Не работайте с устройством, если рядом присутствуют посторонние лица, особенно дети, а также домашние животные.
- Запрещается использовать изделие в плохую погоду, особенно при угрозе возникновения молнии. В процессе работы с изделием используйте средства защиты органов слуха и защитные очки.
- Во время эксплуатации изделия всегда носите специальную обувь и длинные брюки. Не работайте с инструментом босиком или в открытых сандалиях. Не надевайте свободную одежду или одежду со свисающими шнурами или узлами.
- Пользуйтесь изделием только на открытом пространстве (например, вдали от стен и неподвижных объектов), на твердой и ровной поверхности.
- Не работайте с инструментом на мощеной или покрытой гравием поверхности, так как при этом выбрасываемый материал может привести к телесным повреждениям.
- Перед использованием убедитесь, что все винты, гайки, болты и иные крепежные детали затянуты, а защитные приспособления и мусоросборник находятся на месте. Для замены поврежденных деталей или нечитаемых табличек обратитесь в авторизованный сервисный центр.

## ТЕХНИЧЕСКОЕ ОБСЛУЖИВАНИЕ И ИСПОЛЬЗОВАНИЕ АККУМУЛЯТОРА

- Зарядку выполняйте только с использованием зарядного устройства, указанного изготовителем. Зарядное устройство, предназначенное для использования с определенным типом аккумуляторных блоков, при использовании с аккумуляторным блоком другого типа может создавать риск.
- Используйте электрические устройства только со специально предназначенными для них аккумуляторными батареями. Использование аккумуляторных батарей другого типа может привести к телесным повреждениям или возгоранию.
- Если аккумуляторная батарея не используется, храните ее отдельно от других металлических предметов, например канцелярских скрепок, монет, ключей, гвоздей, винтов и других мелких металлических предметов, которые могут привести к замыканию контактов батареи.

Замыкание контактов батареи может вызвать ожоги или привести к возгоранию.

- При ненормальных условиях из батареи может вытечь жидкость, избегайте контакта с ней. Если этого избежать не удалось, смойте жидкость водой. Если жидкость попала в глаза, после их промывания обратитесь за медицинской помощью. Жидкость, вытекающая из батареи, может вызвать раздражение или ожог.
- Не используйте поврежденный или модифицированный аккумуляторный блок и инструмент. Поврежденные или модифицированные аккумуляторы могут вести себя непредсказуемо, что может привести к пожару, взрыву или послужить причиной травмы.
- Запрещается подвергать аккумуляторный блок или инструмент воздействию огня и высокой температуры. Воздействие огня или температуры выше 130°C может привести к взрыву.
- Заряжайте аккумуляторные блоки и инструмент в соответствии с инструкцией, не подвергая их при этом воздействию температур вне диапазона, указанного в инструкции. Несоблюдение инструкций и зарядка при воздействии температур вне диапазона, указанного в инструкции, может привести к повреждению аккумулятора и повысить риск возгорания.

## ОБСЛУЖИВАНИЕ

- Техническое обслуживание и ремонт инструмента должно выполняться только квалифицированным специалистом с использованием взаимозаменяемых запасных частей. Это обеспечит нормальное техническое состояние устройства.
- Обслуживание аккумуляторных блоков с признаками повреждения не допускается. Обслуживание аккумуляторных блоков должно выполняться производителем или авторизованным сервисным центром.

### ПРАВИЛА ТЕХНИКИ БЕЗОПАСНОСТИ ПРИ РАБОТЕ С БЕСПРОВОДНЫМ ИЗМЕЛЬЧИТЕЛЕМ

- При установке изделия проверьте надежность его крепления, исключив возможность опрокидывания. При слишком частом отключении изделия остатки материала могут застревать в режущем блоке и останавливать двигатель при повторном включении.

- Перед запуском изделия загляните в загрузочный отсек и убедитесь, что он пуст.
- Держите лицо и тело в стороне от входного отверстия.
- Не допускайте попадания рук и других частей тела или одежды в загрузочную камеру, выпускной лоток или в зону других движущихся частей.
- Сохраняйте устойчивость во время работы. Старайтесь сохранять устойчивость и подыскивайте твердую опору. Не перенапрягайтесь. Во время загрузки материала запрещается находиться выше уровня основания изделия. Передвигайтесь шагом, не бегайте.
- При работе с изделием держитесь вдали от зоны разгрузки.
- В процессе загрузки материала соблюдайте максимальную осторожность, чтобы не допустить попадания в него металла, камней, банок, бутылок и других посторонних предметов.
- В случае попадания в режущий механизм посторонних предметов, возникновения необычного шума или вибрации выключите изделие и дождитесь полной остановки лезвий. Снимите аккумуляторную батарею. Выполните следующие шаги:
  - Внимательно осмотрите изделие на предмет повреждений.
  - Проверьте и затяните все незакрепленные детали изделия.
  - замените или отремонтируйте поврежденные детали
- Не допускайте накопления обрабатываемого материала в разгрузочном желобе, так как это может помешать надлежащему сбросу или вызвать засорение и привести к попаданию материала в устройство через всасывающее отверстие.
- При блокировке изделия выключите его и дождитесь полной остановки лезвий. Перед удалением мусора извлеките аккумуляторный блок.
- Никогда не используйте устройство с неисправными, неправильно установленными или нерабочими защитными приспособлениями, крышками, мусоросборником и иными предохранительными механизмами.
- Перемещение и транспортировка изделия в работающем состоянии запрещено.

- Отключите устройство и извлеките аккумуляторный блок. Убедитесь в полной остановке всех движущихся деталей:
  - перед тем, как оставить инструмент без присмотра
  - перед устранением засора
  - перед проверкой, чисткой и техобслуживанием продукта;
- Запрещается наклонять работающее изделие в стороны.
- Слишком продолжительное использование инструмента может привести к травме. При длительном использовании изделия периодически делайте перерыв.
- Запрещается каким-либо образом изменять конструкцию устройства или использования детали и принадлежности, не рекомендованные производителем. Это может повлечь за собой риск получения серьезных травм вами лично или окружающими.
- Вентиляционные отверстия необходимо регулярно очищать от мусора. Электродвигатель может перегреваться, а результате чего возникает риск повреждения изделия и возникновения пожара.
- Перед креплением или снятием мусоросборника выключите изделие.
- В случае аварии или поломки незамедлительно выключите устройство и извлеките аккумуляторный блок. Не используйте устройство, обратитесь в гарантийное обслуживание для дальнейшей проверки.

## РУКОВОДСТВО ПО ИЗМЕЛЬЧЕНИЮ

Для наиболее эффективного использования измельчителя следуйте инструкциям, приведенным в таблице.

### МАТЕРИАЛ

### СПОСОБ ИЗМЕЛЬЧЕНИЯ

Диаметр веток до 40 мм.

Отсекайте все боковые ветви секатором перед подачей материала в бункер.

Клумбовые растения, сорняки или ростки кустарников

Во избежание повреждения лезвий удалите почву и камни с корней растений.

Свежесрезанные растения, живая изгородь и пищевые отходы (например, листья капусты, овощные очистки и т. д.)

Для улучшения прохождения материала с повышенным содержанием влаги через режущее приспособление и предотвращения его засорения рекомендуется вместе с материалом периодически подавать сухие ветки.

Сухие палки и ветки

В конце работ поместите в измельчитель сухие палки или ветки, это поможет убрать влагу и сок растений внутри изделия и с режущего устройства.

- Избегайте скопления садового мусора перед измельчением, так как он становится слишком влажным, превращается в компост и засоряет режущие приспособления. Чтобы полностью извлечь весь материал из разгрузочного желоба, используйте сухой материал. Оставьте напоследок несколько сухих веток, чтобы очистить поверхность лезвий.
- Следите за количеством измельченного материала.
- Выключите устройство, прежде чем выбросить мусор из наполненного мусоросборника.
- При подаче в устройство длинных деревянных веток/стеблей остерегайтесь рывков и вибраций, возникающих при захвате материала режущим приспособлением. Оператор должен носить средство защиты глаз во время эксплуатации изделия.
- Режущее приспособление может втянуть ветку/стебель в устройство. Не препятствуйте подаче материала, после того как подача началась. Всегда надевайте перчатки, чтобы предотвратить порезы при подаче материала в изделие.

- При стандартных условиях работы не выключайте изделие до тех пор, пока весь измельченный материал не покинет режущий блок. При слишком частом отключении изделия остатки материала могут застревать в режущем блоке и останавливать двигатель при повторном включении.

## ТРАНСПОРТИРОВКА И ХРАНЕНИЕ

- Перед размещением на хранение или транспортировкой выключите изделие, извлеките аккумуляторный блок и дождитесь остывания изделия и аккумуляторного блока.
- Тщательно очистите устройство перед постановкой на хранение и храните его в хорошо проветриваемом, чистом и сухом помещении в недоступном для детей месте.
- Для транспортировки закрепите устройство так, чтобы оно не могло перемещаться или упасть во избежание травмирования персонала или повреждения устройства.

## ПЕРЕВОЗКА ЛИТИЕВЫХ БАТАРЕЙ

Транспортировку батареи осуществляйте в соответствии местными и национальными нормами и положениями.

Следуйте всем особым требованиям к упаковке и маркировке при транспортировке батареи в сторонние организации. Проверьте, чтобы батарея не соприкасалась с другими батареями или токопроводящими материалами во время транспортировки, защитив открытые контакты с помощью изоляции, непроводящих колпачков или пленки. Не транспортируйте поврежденные или протекающие батареи. За консультацией обращайтесь в транспортно-экспедиционную компанию.

## ТРЕБОВАНИЯ БЕЗОПАСНОСТИ ПРИ ИСПОЛЬЗОВАНИИ ДОПОЛНИТЕЛЬНОЙ АККУМУЛЯТОРНОЙ БАТАРЕИ

- Чтобы уменьшить риск пожара, травмы и повреждения изделия вследствие короткого замыкания не погружайте изделие, аккумуляторный блок или зарядное устройство в жидкость и не допускайте попадания жидкости внутрь. Коррозионные и проводящие

жидкости, такие как соленый раствор, определенные химикаты, отбеливающие средства или содержащие их продукты, могут привести к короткому замыканию.

- Заряжайте аккумуляторный блок при температуре воздуха от 10°C до 38°C.
- Храните аккумуляторный блок при температуре воздуха от 0°C и 20°C.
- Эксплуатация аккумуляторного блока допускается при температуре воздуха от 0°C и 40°C.

## ОБСЛУЖИВАНИЕ

- Используйте только оригинальные запчасти, аксессуары и насадки от производителя. Невыполнение этого требования может привести к травме, к снижению производительности и к аннулированию гарантии.
- Перед выполнением очистки, осмотра или технического обслуживания изделия выключите его, дождитесь полной остановки лезвий и извлеките аккумуляторный блок. Во время работы устройства режущий механизм становится горячим. Перед выполнением очистки, осмотра или регулировки дайте изделию остыть.
- Режущие лезвия чрезвычайно острые. Во избежание травм следует соблюдать предельную осторожность при чистке или работе вблизи лезвий или внутри устройства с открытым корпусом при снятом мусоросборнике. Всегда надевайте специальные прочные перчатки.
- Учитывайте, что режущие приспособления могут продолжать вращаться даже после выключения питания или срабатывания блокировочного выключателя.
- Чтобы достичь наилучших результатов работы устройства, его нужно поддерживать в чистоте.
- Всегда выполняйте чистку устройства сразу после использования. Всегда, когда это возможно, используйте жесткую щетку для чистки внутри загрузочного

и разгрузочного желоба, а также сухую ткань для чистки изделия снаружи.

- Не оставляйте остатки материала засыхать и отвердевать на поверхностях изделия, особенно на лезвиях. Это непосредственно влияет на эффективность измельчения.
- Следите за тем, чтобы загрузочный бункер и желоб выброса были чистыми и свободными от мусора.
- Проверьте надежность всех гаек, болтов и винтов (кроме регулировочного винта).
- Ремонт или замена поврежденных или изношенных деталей должны осуществляться квалифицированным персоналом в авторизованном сервисном центре.
- Никогда не ставьте переключку через блокировочные выключатели на мусоросборнике или на передней крышке режущего приспособления.
- Не допускайте взаимодействия тормозных жидкостей, бензина, нефтепродуктов, пропиточных масел и т.п. с пластмассовыми деталями. Не используйте тормозные жидкости, бензин и другие продукты на основе нефти, а также любые растворители для очистки изделия. Большинство пластмасс восприимчиво, чтобы повредиться от различных типов коммерческих растворителей и может быть повреждено их использованием.
- Вы можете выполнять работы по обслуживанию, описанные в данном руководстве. Все иные ремонтные работы должны осуществляться только в авторизованном сервисном центре.

## РЕГУЛИРОВКА ДРОБЯЩЕЙ ПЛАСТИНЫ

- Если не получается выполнять измельчение материала с помощью этого изделия, возможно, требуется регулировка дробящей пластины или заточка ножей.
- Время от времени необходимо выполнять регулировку дробящей пластины. Выполните регулировку дробящей пластины таким образом,

чтобы в итоге пластина немного касалась ножей. Проверьте, чтобы изделие было включено и работало в правильном направлении.

- Регулировка дробящей пластины при выключенном электродвигателе может привести к серьезному повреждению изделия.

**ПРИМЕЧАНИЕ:** Регулировку дробящей пластины следует выполнять только в случаях, когда это действительно необходимо. При регулировке обрезающей пластины с излишней частотой или с чрезмерным смещением возможен выход изделия из строя.

1. При включенном изделии поверните регулятор по часовой стрелке.
2. Если вы услышали металлический лязг или заметили алюминиевую стружку на дне коллектора, прекратите процесс регулировки и дайте изделию поработать в течение 30 секунд. Затем поверните регулятор против часовой стрелки на 0,5—1 оборота, до полного исчезновения контакта дробящей пластины с ножами, оставив зазор 1 мм.

**ПРИМЕЧАНИЕ:** Любая регулировка должна выполняться медленно во избежание повреждения изделия. Неправильная регулировка пластины может привести к серьезному повреждению изделия.

## РЕГУЛИРОВКА ДРОБЯЩЕЙ ПЛАСТИНЫ С ИСПОЛЬЗОВАНИЕМ РЕЖИМА КАЛИБРОВКИ

**ПРИМЕЧАНИЕ:** Убедитесь в том, что изделие находится в выключенном состоянии.

1. На выключенном изделии для запуска процесса калибровки нажмите на кнопку режима калибровки, а затем на кнопку включения. Начнется процесс калибровки.
2. Поворачивайте ручку регулировки дробящей пластины по направлению часовой стрелки до тех пор, пока изделие не выключится.

**ПРИМЕЧАНИЕ:** Поворачивайте ручку регулировки по направлению против часовой стрелки на 0,5—1 оборота до тех пор, пока дробящая пластина и ножи больше не будут касаться друг друга.

- Нажмите на кнопку включения для повторной подачи материала в изделие.

## ИЗУЧИТЕ УСТРОЙСТВО

См. стр. 185.

- Аккумуляторный отсек
- Кнопка включения заднего хода
- Кнопка режима калибровки
- Кнопка стоп
- Разгрузочный желоб
- Кнопка пуска
- Дверца отсека батареи
- Ручка регулировки дробящей пластины
- Кнопка отсоединения металлической рамы
- Металлическая рама
- Защелка
- Ось
- Толкатель материала
- Колеса
- Разводной шплинт
- Шайба
- Колпак втулки
- Руководство оператора
- Ключ Torx
- Мусоросборник
- Аккумулятор
- Зарядное устройство

## УСЛОВНЫЕ ОБОЗНАЧЕНИЯ НА ПРОДУКТЕ



Перед началом работы с изделием внимательно ознакомьтесь со всеми инструкциями. Соблюдайте технику безопасности.



Помните об опасности, которую представляют собой отбрасываемые устройством или вылетающие из-под него предметы. Не допускайте приближения посторонних лиц, особенно детей и домашних животных к рабочей зоне ближе чем на 15 м



Осторожно! Перед выполнением технического обслуживания, регулировки или очистки отсоедините аккумуляторный блок.



Опасно! Вращающиеся ножи. Не приближайтесь к отверстиям во время работы устройства.



Надевайте средства защиты органов зрения и слуха.



Не становитесь на устройство.



Перед тем, как прикасаться к компонентам изделия, дождитесь их полной остановки.



Гарантируемый уровень звуковой мощности



Надевайте нескользящие защитные перчатки для тяжелых условий работы.



После выключения изделия и очистки лотка нажмите на кнопку калибровки для запуска процесса калибровки лезвия.



Нажмите один раз для включения; нажимайте повторно для переключения скоростей.



Нажмите и удерживайте кнопку для запуска режима обратного хода.



Знак соответствия европейским стандартам



Знак соответствия стандартам Великобритании



Знак Евразийского Соответствия

- EN
- FR
- DE
- ES
- IT
- NL
- PT
- DA
- SV
- FI
- NO
- RU**
- PL
- CS
- HU
- RO
- LV
- LT
- ET
- HR
- SL
- SK
- BG
- UK
- TR



Знак соответствия Украины



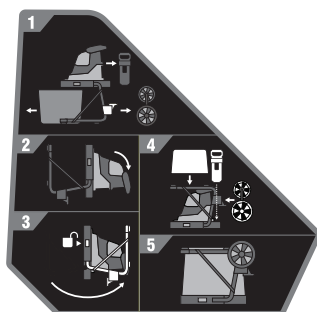
Режим калибровки



Перегрузка



Мусоросборник не установлен



1. Снимите колесную ось, мусоросборник и поршень.
2. Расположите изделие на земле так, чтобы рукоятки смотрели в низ.
3. Нажмите на кнопку отсоединения металлической рамы и разложите ножки, потянув за них вверх до фиксации.
4. Поместите колесную ось, мусоросборник и поршень в места для хранения.
5. Храните изделие в прохладном, сухом месте с хорошим уровнем вентиляции.



Утилизация аккумуляторов, электрического и электронного оборудования в месте с несортированными бытовыми отходами не допускается. Сбор аккумуляторов, электрического и электронного оборудования в целях утилизации должен осуществляться отдельно. Перед утилизацией необходимо извлечь из оборудования элементы питания, аккумуляторы и источники света. Уточните порядок утилизации и местонахождения пункта приема у местных властей или поставщика. Ритейлеры могут быть обязаны бесплатно принимать аккумуляторы, электрическое и электронное оборудование на утилизацию в соответствии с местными регламентами. Ваш вклад в повторную переработку аккумуляторов, а также электрического и электронного оборудования позволит сократить потребность в сырье. Аккумуляторы, в частности, содержащие литий, а также электрическое и электронное оборудование содержит ценные и подлежащие повторной переработке материалы, которые в случае ненадлежащей утилизации способны вредить экологии и здоровью людей. Перед утилизацией удалите с оборудования все персональные данные.



**УСЛОВНЫЕ ОБОЗНАЧЕНИЯ В ДАННОМ РУКОВОДСТВЕ**



Детали или принадлежности, приобретаемые отдельно



Примечание



Осторожно



Сцепить



Расцепить

**Транспортировка:**

Категорически не допускается падение и любые механические воздействия на упаковку при транспортировке.

При разгрузке/погрузке не допускается использование любого вида техники, работающей по принципу зажима упаковок.

**Хранение:**

Необходимо хранить в сухом месте.

Необходимо хранить вдали от источников повышенных температур и воздействия солнечных лучей.

При хранении необходимо избегать резкого перепада температур.

Хранение без упаковки не допускается.

**Срок службы изделия:**

Срок службы изделия составляет 5 лет.

Не рекомендуется к эксплуатации по истечении 5 лет хранения с даты изготовления без предварительной проверки.

**Дата изготовления** (код даты) отштампован на поверхности корпуса изделия.

Пример:

W17 Y2015, где Y2015 - год изготовления

W17 – неделя изготовления

Определить месяц изготовления можно согласно приведенной ниже таблице, на примере 2015 года.

**Обратите внимание!** Количество недель в месяце различается от года в год.

Месяц	Январь	Февраль	Март	Апрель	Май	Июнь	Июль	Август	Сентябрь	Октябрь	Ноябрь	Декабрь	Год
Неделя	01	05	09	14	18	22	27	31	36	40	44	49	2015
	02	06	10	15	19	23	28	32	37	41	45	50	
	03	07	11	16	20	24	29	33	38	42	46	51	
	04	08	12	17	21	25	30	34	39	43	47	52	
	05	09	13	18	22	26	31	35	40	44	48	53	
		14			27								

## ПОИСК НЕИСПРАВНОСТЕЙ

ПРОБЛЕМА	ПРИЧИНА	ДЕЙСТВИЕ
Двигатель не работает.	Перезагрузка при перегреве	Дайте изделию остыть в течение 15 минут. Подобное может происходить при высокой температуре окружающей среды и при непрерывной работе изделия в течение какого-то периода времени.
	Аккумулятор	Убедитесь, что аккумуляторный блок полностью заряжен, что отсутствуют следы проникновения воды, а также следы повреждений. Проверьте аккумулятор на другом инструменте для проверки его работоспособности.
	Мусоросборник	Вставьте мусоросборник со стороны изделия, отмеченного соответствующими обозначениями, а также убедитесь, что мусоросборник надежно установлен с применением фиксатора на лицевой части.
Материал не подается в лоток.	Кожух лезвия	Убедитесь, что все 4 болта, которыми фиксируется кожух лезвия, надежно затянуты.
	Застревание материала в загрузочной воронке.	Следуйте инструкции в данном руководстве для удаления засорений.
	Дробящая пластина находится слишком далеко от режущего лезвия.	Следуйте инструкции по затяжке дробящей пластины, представленной в руководстве.

Bezpieczeństwo, efektywność i niezawodność były czynnikami o najwyższym priorytecie w trakcie projektowania Państwa bezprzewodowego rozdrabniacza.

## PRZEZNACZENIE URZĄDZENIA

Rozdrabniacz bezprzewodowy służy do ograniczania objętości odpadów ogrodowych, takich jak gałęzie i liście.

Produkt powinien być użytkowany na zewnątrz w pozycji nieruchomej i obsługiwany przez stojącego na gruncie operatora.

Nie jest przeznaczony do rozdrabniania materiałów nieorganicznych, metali ani materiałów, których cięcie przekracza jego możliwości techniczne.

Produkt musi być zamontowany na dostarczonej podstawie i musi być używany razem z dostarczonym koszem. Nie wolno montować w inny sposób niż przedstawiono w tym podręczniku.

Nie używać do żadnych innych celów.

## OGÓLNE OSTRZEŻENIA DOTYCZĄCE BEZPIECZEŃSTWA

**⚠ OSTRZEŻENIE!** Produkt ten nie jest przeznaczony do użytkowania przez dzieci lub osoby o ograniczonych zdolnościach fizycznych, umysłowych lub sensorycznych. Małe dzieci powinny być nadzorowane przez osobę inną niż operator urządzenia, aby nie bawiły się urządzeniem lub w jego pobliżu.

**⚠ OSTRZEŻENIE!** Podczas używania produktu należy stosować podstawowe środki ostrożności ograniczające ryzyko pożaru, porażenia prądem lub obrażeń ciała. Należy uważnie przeczytać wszystkie zasady oraz instrukcje przed rozpoczęciem korzystania z produktu. Należy zapoznać się z przyrządami sterowania oraz zasadami prawidłowej obsługi produktu. Niniejszą instrukcję należy przechowywać w bezpiecznym miejscu do późniejszego użytku.

## SZKOLENIE

- Przed próbą rozpoczęcia korzystania produktu należy zapoznać się z instrukcją.
- Nigdy nie wolno pozwalać obsługiwać tego produktu dzieciom ani osobom nieznanym tych instrukcji. Lokalne przepisy mogą ograniczać dopuszczalny wiek operatora."

- Operator lub użytkownik produktu ponosi odpowiedzialność za wypadki lub zagrożenia dla innych osób lub ich mienia.

## PRZYGOTOWANIE

- Nie wolno używać tego urządzenia, gdy w pobliżu znajdują się osoby postronne, szczególnie dzieci lub zwierzęta.
- Nienależy używać produktu w niekorzystnych warunkach atmosferycznych, zwłaszcza gdy istnieje ryzyko uderzenia pioruna. W trakcie obsługi produktu zawsze nosić ochronę słuchu oraz okulary ochronne.
- Podczas obsługi produktu zawsze należy nosić odpowiednie obuwie oraz długie spodnie. Nie wolno obsługiwać urządzenia będąc boso, lub mając założone lekkie obuwie typu sandały. Unikać zakładania luźnej odzieży, ze sznurkami lub krawatem.
- Produkt należy użytkować wyłącznie w otwartej przestrzeni (np. nie blisko ściany lub zamocowanego przedmiotu) i na twardym, płaskim podłożu.
- Nie uruchamiać maszyny na powierzchni zwirowej lub utwardzonej, gdzie wyrzucany materiał może spowodować zranienie.
- Przed uruchomieniem produktu należy sprawdzić, czy wszystkie śruby, nakrętki, wkręty i inne elementy mocujące są dobrze zamocowane oraz, czy założone są osłony i kosz. W celu wymiany uszkodzonych części lub nieczytelnych etykiet należy skontaktować się z autoryzowanym centrum serwisowym.

## UŻYTKOWANIE I UTRZYMANIE NARZĘDZIA AKUMULATOROWEGO

- Ładować wyłącznie za pomocą ładowarki dostarczonej przez producenta. Ładowarka przeznaczona do ładowania określonego typu akumulatora może stwarzać zagrożenie, jeżeli zostanie użyta z akumulatorem innego rodzaju.
- Używać narzędzi ręcznych z napędem elektrycznym wyłącznie z akumulatorami przeznaczonymi do tych urządzeń. Używanie innych akumulatorów wiąże się ze zwiększonym ryzykiem pożaru lub obrażeń ciała.
- Gdy akumulator nie jest używany, przechowywać go z dala od innych metalowych przedmiotów, np. spinaczy, monet, kluczy, gwoździ, śrub lub innych małych metalowych przedmiotów, które mogłyby utworzyć połączenie między stykami, prowadząc do zwarcia. Zwarcie styków akumulatora może spowodować oparzenia lub pożar.

- W przypadku niewłaściwej obsługi może dojść do wycieku płynu z akumulatora, należy unikać kontaktu z tym płynem. Miejsce ewentualnego kontaktu przepłukać wodą. W przypadku, gdy płyn dostanie się do oczu, po przemyciu zwrócić się o pomoc do lekarza. Płyn wyciekający z akumulatora może powodować podrażnienia i oparzenia.
- Nie stosować uszkodzonych ani zmodyfikowanych akumulatorów i narzędzi. Uszkodzone lub zmodyfikowane akumulatory mogą zachowywać się w sposób nieprzewidywalny, co może prowadzić do pożaru, wybuchu lub ryzyka obrażeń.
- Nie narażać akumulatora lub narzędzia na działanie ognia lub zbyt wysokich temperatur. Narażenie na działanie ognia lub temperatury powyżej 130°C może spowodować wybuch.
- Należy przestrzegać wszystkich instrukcji ładowania i nie ładować akumulatora ani narzędzia poza podanym w instrukcji zakresem temperatur. Ładowanie w niewłaściwy sposób lub w temperaturze poza określonym zakresem może doprowadzić do uszkodzenia akumulatora i wzrostu zagrożenia pożarowego.
- Zawsze zwracać uwagę na zachowanie bezpiecznej odległości stóp od urządzenia. Należy cały czas pewnie opierać stopy i utrzymywać równowagę. Nie sięgać zbyt daleko. Podczas wprowadzania materiału do produktu nigdy nie stawiać na poziome wyższym niż podstawa produktu. Podczas pracy należy chodzić, nie wolno biegać.
- Podczas pracy z produktem należy zawsze trzymać się z dala od strefy wyładowczej.
- Podczas wprowadzania materiału do produktu należy zachować szczególną ostrożność, pilnując, aby nie znalazły się w nim kawałki metalu, kamienie, butelki, puszki lub inne niepożądane przedmioty.
- Jeśli mechanizm tnący uderzy w jakiegokolwiek ciała obce lub jeśli zacznie wydawać nietypowe odgłosy bądź wibrować, należy wyłączyć produkt i odczekać, aż ostrza się całkowicie zatrzymają. Wyjąć akumulator. Wykonać następujące czynności:
  - Starannie sprawdzić produkt pod kątem ewentualnych uszkodzeń.
  - Sprawdzić i dokręcić wszelkie luźne części produktu.
  - wymienić lub naprawić wszystkie uszkodzone elementy

## KONSERWACJA

- Urządzenie elektryczne powinno być naprawiane przez wykwalifikowany personel, z zastosowaniem identycznych części zamiennych. Dzięki temu zapewnione będzie bezpieczeństwo użytkownika urządzenia.
- Nigdy nie serwisować uszkodzonych akumulatorów. Serwisowaniem akumulatorów powinien zajmować się wyłącznie producent lub autoryzowany serwis.
- Nie należy dopuścić do gromadzenia się materiału w wyrzutniku, ponieważ może to uniemożliwiać prawidłowe odprowadzanie materiału i może doprowadzić do odskoku materiału przez otwór podający.
- Jeśli w produkcie wystąpi zator, należy go wyłączyć i całkowicie zatrzymać noże tnące. Przed przystąpieniem do oczyszczenia z pozostałości należy wymontować akumulator.
- Nigdy nie wolno używać produktu, jeśli osłony, pokrywy, kosz lub inne elementy zabezpieczające są uszkodzone, nie znajdują się na swoim miejscu lub nie są w dobrym stanie.
- Nie należy przenosić lub transportować pracującego produktu.
- Wyłączyć zasilanie i wymontować akumulator. Upewnić się, że wszystkie elementy ruchome zostały całkowicie zatrzymane:
  - przed pozostawieniem produktu bez nadzoru
  - przed usunięciem zatoru
  - przed sprawdzeniem, czyszczeniem i użytkowaniem produktu,
- Nie przechylać pracującego produktu.

## OSTRZEŻENIA BEZPIECZEŃSTWA DOTYCZĄCE ROZDRABNIACZA BEZPRZEWODOWEGO

- Konfigurując produkt przed rozpoczęciem pracy należy upewnić się, że jest on zabezpieczony przed przewróceniem się. Jeśli produkt zostanie wyłączony zbyt szybko, pozostałe kawałki materiału mogą zatkać zespół ostrza i zatrzymać silnik po ponownym włączeniu produktu.
- Przed uruchomieniem produktu należy zajrzeć do kosza załadunkowego, aby upewnić się, że jest pusty.
- Trzymać twarz i całe ciało z dala od otworu załadunkowego.
- Nie zbliżać rąk, stóp ani żadnej innej części ciała ani odzieży do komory załadunkowej, zswni ani żadnej ruchomej części.

- Długotrwałe użytkowanie narzędzia może spowodować obrażenia ciała lub nasilić dolegliwości zdrowotne. W przypadku długotrwałego użytkowania jakiegokolwiek produktu należy robić regularne przerwy.
- Nie należy modyfikować maszyny w żaden sposób ani używać części i akcesoriów, które nie są zalecane przez producenta. Może to zwiększyć ryzyko poważnego urazu użytkownika lub innych osób.
- Należy zawsze upewniać się, że otwory wentylacyjne nie są zablokowane odpadkami. Może nastąpić przegrzanie silnika skutkujące uszkodzeniem produktu lub zwiększeniem ryzyka pożaru.
- Przed montażem lub demontażem kosza należy wyłączyć produkt.
- W razie wypadku lub awarii natychmiast wyłączyć i wymontować akumulator. Nie należy włączać produktu ponownie, dopóki nie zostanie w pełni sprawdzony przez autoryzowane centrum serwisowe.

### PROWADNICA ROZDRABNIANIA

Aby uzyskać najlepsze efekty rozdrabniania, należy postępować zgodnie z zaleceniami podanymi w poniższej tabeli.

MATERIAŁ	SPOSÓB ROZDRABNIANIA
Konary o średnicy do 40 mm.	Przyciąć wszystkie boczne gałęzie sekatorem przed włożeniem materiału do zasobnika.
Rośliny okrywowe, chwasty i krzewy	Usunąć ziemię i kamienie z korzeni, aby uniknąć uszkodzenia ostrzy.
Świeżo ścięte listowie, krzaki i odpady kuchenne (np. liście kapusty, obierki warzyw itp.)	W przypadku materiałów o wysokiej wilgotności zalecane jest regularne podawanie suchych patyków w celu przepchnięcia materiału przez zespół ostrzy i aby nie dopuścić do zablokowania produktu,

Suche patyki i gałęzie

Włożenie takich materiałów na końcu rozdrabniania pomoże usunąć wilgoć i soki roślinne z wnętrza rozdrabniarki oraz zespołu tnącego.

- Nie dopuszczać do nagromadzenia się odpadów przed rozdrabnianiem, ponieważ zaczną one gnić, staną się zbyt wilgotne i zablokują ostrza. Suchy materiał ułatwi usunięcie większości materiału z otworu wylotowego. Pozostawić suche patyki na koniec, aby ułatwić oczyszczanie ostrzy.
- Często kontrolować gromadzenie się rozdrobnionego materiału.
- Gdy kosz jest pełny, przed jego opróżnieniem należy ustawić przełącznik zasilania produktu w położeniu Off (wył.).
- Przy wkładaniu do produktu długich zdrewniałych gałęzi/łodyg należy uważać na bicie i wibracje, gdy materiał zostanie pochwycony przez ostrza. Operator podczas obsługi produktu zawsze musi nosić okulary ochronne.
- Ostrze ma tendencję do wciągania gałęzi/łodyg do produktu. Nie należy usiłować wyciągać materiału, który już został pochwycony przez maszynę. Zawsze należy nosić rękawice, aby nie dopuścić do skaleczenia rąk podczas wkładania materiału do produktu.
- W normalnych warunkach użytkowania nie wyłączać produktu, dopóki cały rozdrobniony materiał nie opuści zespołu rozdrabniającego. Jeśli produkt zostanie wyłączony zbyt szybko, pozostałe kawałki materiału mogą zatkać zespół ostrza i zatrzymać silnik po ponownym włączeniu produktu.

### TRANSPORT I PRZECHOWYWANIE

- Przed odłożeniem bądź rozpoczęciem transportu lub składowania wyłączyć produkt, wymontować akumulator i poczekać, aż produkt i akumulator ostygną.
- Należy upewnić się, że produkt został dokładnie wyczyszczony przed schowaniem w czystym, suchym miejscu; produkt musi być dobrze zabezpieczony przed dostępem dzieci.

- W przypadku transportu produktu należy zabezpieczyć go przed przemieszczaniem się lub upadkiem, aby nie dopuścić do obrażeń ciała lub uszkodzenia urządzenia.

## TRANSPORTOWANIE AKUMULATORÓW LITOWYCH

Akumulatory należy transportować zgodnie z lokalnymi i krajowymi przepisami i regulacjami.

Należy postępować zgodnie z wszystkimi specjalnymi wymaganiami dotyczącymi pakowania i etykietowania akumulatorów podczas transportu przez stronę trzecią. Upewnij się, że żadne akumulatory nie zetkną się z innymi akumulatorami lub materiałami przewodzącymi podczas transportu; w tym celu należy zabezpieczyć odkryte złącza nieprzewodzącymi nakładkami izolacyjnymi lub taśmą izolacyjną. Nie należy transportować pękniętych ani nieszczelnych akumulatorów. Szczegółowe porady można uzyskać w firmie spedycyjnej.

### AKUMULATOR — DODATKOWE OSTRZEŻENIA DOTYCZĄCE BEZPIECZEŃSTWA

- Aby ograniczyć ryzyko pożaru, obrażeń oraz uszkodzenia produktu z powodu zwarcia, nigdy nie zanurzać produktu, akumulatora ani ładowarki w płynie ani nie dopuszczać do przedostania się płynu do ich wnętrza. Zwarcie spowodować mogą korodujące lub przewodzące cieczce, takie jak woda morska, określone chemikalia i wybielacze lub produkty zawierające wybielacze.
- Akumulator należy ładować w miejscu, w którym temperatura otoczenia wynosi od 10°C do 38°C.
- Akumulator należy przechowywać w miejscu, w którym temperatura otoczenia wynosi od 0°C do 20°C.
- Akumulator należy użytkować w miejscu, w którym temperatura otoczenia wynosi od 0°C do 40°C.

### KONSERWACJA

- Należy stosować wyłącznie oryginalne części zamienne, akcesoria oraz przystawki producenta. W przeciwnym razie może dojść do obrażeń ciała, niskiej wydajności oraz do unieważnienia gwarancji.

- Przed czyszczeniem, inspekcją lub przeglądem urządzenia należy je wyłączyć i odczekać, aż ostrza całkowicie się zatrzymają, a następnie wyjąć akumulator. Po pewnym czasie rozdrabniania mechanizm tnący stanie się gorący. Przed czyszczeniem, inspekcją lub regulacją poczekać, aż urządzenie ostygnie.

- Ostrza są bardzo ostre. Aby uniknąć urazów ciała, należy zachować szczególną ostrożność i uwagę podczas czyszczenia lub wykonywania czynności w pobliżu ostrzy lub przy otwartej osłonie, gdy kosz jest zdemontowany. Zawsze należy nosić grube rękawice ochronne.

- Należy pamiętać, że ostrza nadal mogą się obracać, nawet jeśli zasilanie zostało wyłączone lub jeśli włączony jest przełącznik blokady.

- Aby zapewnić najwyższą wydajność pracy produktu, należy dbać o jego czystość.

- Produkt zawsze należy czyścić bezpośrednio po użyciu. Jeśli jest to możliwe, otwór podajnika i wylotu należy czyścić twardą szczotką, a zewnętrzne elementy produktu należy czyścić suchą szmatką.

- Nie dopuścić do wyschnięcia i stwardnienia materiału na którejkolwiek z powierzchni produktu, a w szczególności na ostrzach. Będzie to bezpośrednio wpływać na skuteczność rozdrabniania.

- Należy dopilnować, aby zasobnik oraz otwór wylotowy były czyste i wolne od pozostałości.

- Należy zadbać, aby wszystkie nakrętki i śruby (oprócz śruby nastawczej) były dokręcone i zabezpieczone.

- Wszelkie uszkodzone lub zużyte części zawsze powinny być naprawiane lub wymieniane przez wykwalifikowany personel w autoryzowanych punktach serwisowych.

- Nigdy nie wolno omijać przełączników blokady pojemnika lub przedniej osłony zespołu ostrzy.

- Nie wolno dopuścić do kontaktu plastikowych części z płynem hamulcowym, benzyną, produktami ropopochodnymi, olejami penetrującymi itp. Nigdy nie czyścić produktu płynem hamulcowym, benzyną, produktami ropopochodnymi lub jakimikolwiek rozpuszczalnikami. Większość plastików

jest wrażliwa na rozmaite rozpuszczalniki dostępne w handlu i może ulec uszkodzeniu przez ich stosowanie.

- Użytkownik może przeprowadzać czynności konserwacyjne opisane w tej instrukcji. W celu wykonania innych napraw produkt należy oddać do autoryzowanego serwisu.

## REGULACJA PŁYTY KRUSZĄCEJ

- Jeśli produkt nie rozdrabnia materiału, płyta krusząca może wymagać regulacji lub ostrza mogą wymagać naostrzenia.
- Z czasem płyta krusząca produktu będzie wymagać regulacji. Można tego dokonać, regulując płytę kruszącą tak, aby lekko stykała się z ostrzami. Upewnić się, że produkt jest włączony i pracuje w normalnym kierunku — do przodu.
- Regulowanie płyty kruszącej przy wyłączonym silniku może spowodować poważne uszkodzenie produktu.

**UWAGA:** Regulację płyty kruszącej należy przeprowadzać tylko wtedy, gdy jest to absolutnie konieczne. Zbyt częsta regulacja płyty kruszącej lub wysuwanie jej zbyt daleko może spowodować, że produkt przestanie działać.

1. Podczas pracy produktu obrócić pokrętko w prawo.
2. W przypadku usłyszenia odgłosu styku metalu z metalem lub pojawienia się drobnych wiórów aluminiowych na dnie pojemnika zbiorczego zatrzymać regulację i pozostawić produkt na 30 sekund. Następnie obrócić pokrętko w lewo o 0,5–1 obrotu do momentu utraty kontaktu z płytą kruszącą, pozostawiając odstęp 1 mm.

**UWAGA:** Wszelkie regulacje należy przeprowadzać powoli, aby uniknąć uszkodzenia produktu. Zbyt mocne dociśnięcie płyty może spowodować poważne uszkodzenie produktu.

## REGULACJA PŁYTY KRUSZĄCEJ PRZY UŻYCIU TRYBU KALIBRACJI

**UWAGA:** Upewnić się, że produkt jest wyłączony.

1. Kiedy produkt jest wyłączony, należy przytrzymać przycisk trybu kalibracji, a następnie nacisnąć przycisk uruchamiania. Rozpocznie się kalibracja ostrza.

2. Obrócić pokrętko regulacji płyty kruszącej zgodnie z ruchem wskazówek zegara, aż produkt się wyłączy.

**UWAGA:** Obrócić pokrętko w kierunku przeciwnym do ruchu wskazówek zegara o 0,5–1 obrotu, aż płyta krusząca i ostrza przestaną się stykać.

3. Nacisnąć przycisk uruchamiania, aby ponownie wprowadzić materiał do produktu.

## POZNAJ SWÓJ PRODUKT

*Patrz str. 185.*

1. Gniazdo akumulatora
2. Przycisk trybu cofania
3. Przycisk trybu kalibracji
4. Przycisk zatrzymania
5. Otwór podawania
6. Przycisk uruchamiania
7. Drzwi akumulatora
8. Pokrętko regulacyjne płyty kruszącej
9. Przycisk zwalniania metalowej ramy
10. Metalowa rama
11. Zatrask
12. Oś
13. Popychacz materiału
14. Koło
15. Zawleczka
16. Podkładka
17. Kołpak piasty
18. Instrukcja obsługi
19. Klucz Torx
20. Pojemnik na odpady
21. Akumulator
22. Ładowarka

## SYMBOLE PRODUKTU



Przed przystąpieniem do obsługi produktu należy przeczytać ze zrozumieniem wszystkie instrukcje. Należy przestrzegać wszystkich ostrzeżeń i instrukcji dotyczących bezpieczeństwa.



Uwaga na odrzucone przedmioty. Wszystkie osoby postronne, a szczególnie dzieci i zwierzęta, muszą znajdować się w odległości przynajmniej 15 metrów od miejsca pracy.



Ostrzeżenie! Przed rozpoczęciem prac konserwacyjnych, regulacją lub czyszczeniem należy wyjąć akumulator.



Zagrożenie! Ostrza obrotowe. Nie należy zbliżać rąk ani nóg do otworów podczas pracy produktu.



Zakładać środki ochrony wzroku i słuchu.



Nie używać jako stopnia.



Przed dotknięciem któregoś z elementów produktu należy poczekać, aż się całkowicie zatrzymają.



Gwarantowany poziom mocy akustycznej



Nosić nieślizgające się, trwałe rękawice ochronne.



Kalibrację można wykonać, kiedy produkt jest wyłączony, a rynna zsykowa pusta. W tym celu nacisnąć przycisk kalibracji.



Nacisnąć, aby włączyć. Kolejne naciśnięcie powoduje zmianę prędkości.



Nacisnąć i przytrzymać przycisk, aby produkt pracował w trybie wstecznym.



Symbol zgodności z przepisami europejskimi



Symbol zgodności z przepisami brytyjskimi



Oznaczenie zgodności EurAsian



Symbol zgodności z przepisami ukraińskimi



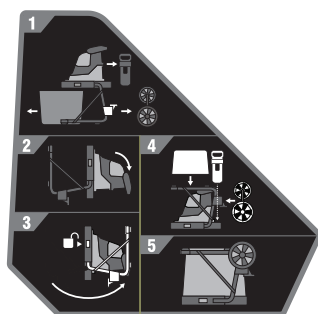
Tryb kalibracji



Przeciążenie



Pojemnik na odpady nie jest włożony



1. Zdemontować oś koła, pojemnik i przepychacz.
2. Położyć produkt na gruncie z uchwytami skierowanymi w dół.
3. Nacisnąć przycisk zwalniania metalowej ramy i złożyć nogi tak, aby zatrzasnęły się w pozycji złożonej.
4. Umieścić oś koła, pojemnik i przepychacz w miejscu przechowywania.
5. Przechowywać produkt w chłodnym, suchym i dobrze wentylowanym miejscu.



## SYMBOLE STOSOWANE W NINIEJSZEJ INSTRUKCJI

Zużytego sprzętu elektrycznego i elektronicznego, w tym zużytych baterii i akumulatorów, nie należy wyrzucać jako nieposortowanych odpadów komunalnych. Zużyty sprzęt elektryczny i elektroniczny, w tym zużyte baterie i akumulatory, musi być gromadzony osobno. Zużyte baterie, akumulatory i źródła światła muszą zostać usunięte ze sprzętu. Skontaktować się z lokalnymi władzami lub sprzedawcą detalicznym w celu uzyskania porad dotyczących recyklingu i punktu zbiórki odpadów. Zgodnie z lokalnymi przepisami sprzedawcy detaliczni mogą być zobowiązani do nieodpłatnego odbioru zużytego sprzętu elektrycznego i elektronicznego, w tym baterii i akumulatorów. Państwa wkład w ponowne wykorzystanie i recykling zużytego sprzętu elektrycznego i elektronicznego, w tym baterii i akumulatorów, pomaga zmniejszyć zapotrzebowanie na surowce. Zużyte baterie i akumulatory — w szczególności zawierające lit — a także pozostały sprzęt elektryczny i elektroniczny, zawierają nadające się do recyklingu i cenne materiały i surowce, które mogą mieć negatywny wpływ na środowisko naturalne i zdrowie ludzkie, jeśli nie są usuwane w sposób przyjazny dla środowiska naturalnego. Z utylizowanego sprzętu należy usunąć wszelkie ewentualne dane osobowe.



Części lub akcesoria sprzedawane osobno



Uwaga



Ostrzeżenie!



Zamknięte



Otwarte

## ROZWIĄZYWANIE PROBLEMÓW

PROBLEM	PRZYCZYNA	AKCJA
Silnik nie działa.	Przegrzanie	Odstawić produkt na 15 minut, aby ostygł. Sytuacja tak może się zdarzyć, gdy temperatura otoczenia jest wysoka, a produkt jest używany przez dłuższy czas bez przerwy.
	Akumulator	Sprawdzić, czy akumulator jest w pełni naładowany, nie nosi oznak zalania wodą lub uszkodzenia. Sprawdzić prawidłowość działania akumulatora, montując go w innym urządzeniu.
	Pojemnik na odpady	Zamontować pojemnik na odpady, kierując się wskazówkami na etykietach umieszczonych na jego boku. Sprawdzić, czy został całkowicie wsunięty, a zatrzask przedni zablokowany.
	Oslona noża	Sprawdzić, czy wszystkie 4 śruby mocujące osłonę noża są całkowicie dokręcone.
Materiał nie jest podawany do rynny zsykowej.	Materiał uległ zakleszczeniu w leju zasypowym.	W celu usunięcia zablokowanego materiału należy postępować zgodnie z instrukcją podaną w podręczniku.
	Płyta krusząca znajduje się zbyt daleko od ostrza.	Ustawić płytę kruszącą zgodnie ze wskazówkami podanymi w instrukcji obsługi.

Při návrhu tohoto akumulátorového drtiče byl kladen obzvláštní důraz na bezpečnost, provozní vlastnosti a spolehlivost.

## ZAMÝŠLENÉ POUŽITÍ

Akumulátorový drtič slouží k snížení objemu organických zahradních odpadních materiálů, například větví a listů.

Tento přístroj je určen k venkovnímu používání ve statické poloze vedle obsluhy, která stojí na zemi.

Přístroj není určen k používání na neorganický materiál, kovy a materiál větší než maximální kapacita přístroje.

Výrobek musí být namontován na dodaném stojanu a musí být používán se sběrným boxem. Nesmí být namontováno jiným způsobem než je uvedeno v této příručce.

Přístroj nepoužívejte ji k jiným účelům.

## VŠEOBECNÁ BEZPEČNOSTNÍ VAROVÁNÍ

**⚠ VAROVÁNÍ!** Tento nástroj není určen pro používání osobami, včetně dětí, pokud jsou jejich fyzické, pohybové nebo mentální schopnosti sníženy. Vždy je nutný dohled nad dětmi, aby se zajistilo, že si nebudou s výrobkem hrát.

**⚠ VAROVÁNÍ!** Pokud výrobek používáte, měly by se dodržovat základní bezpečnostní předpisy za účelem snížení nebezpečí požáru, úrazu elektřinou a osobní újmy. Před použitím si řádně přečtete všechny bezpečnostní pokyny k tomuto výrobku. Seznamte se s ovládáním a řádným používáním nástroje. Tyto pokyny uschovejte pro příští použití.

## ZAŠKOLENÍ

- Před používáním přístroje se obeznamte s návodem.
- Nenechte děti nebo osoby neseznámené s těmito pokyny pracovat s výrobkem. Místní předpisy mohou omezovat dobu obsluhy.
- Obsluha nebo uživatel přístroje nese odpovědnost za vzniklé nehody a nebezpečí pro další osoby nebo jejich majetek.

## PŘÍPRAVA

- Nikdy nepracujte s přístrojem, když jsou v blízkosti osoby, obzvláště děti nebo domácí zvířata.

- Přístroj nepoužívejte za nepříznivého počasí, obzvláště hrozí-li riziko zásahu bleskem. Při práci s tímto přístrojem vždy noste ochranu sluchu a ochranné brýle.
- Když s nástrojem pracujete, noste vždy pevnou obuv a dlouhé kalhoty. Se zařízením nepracujte, pokud máte obuty sandály s otevřenou špičkou, nebo pokud jste bosí. Zamezte nošení volných oděvů, nebo které mají vlající šňůrky nebo pásky.
- Drtič používejte v otevřeném prostoru (například dále od zdí a statických předmětů) a na pevném, vodorovném povrchu.
- Neprovozujte stroj na dlážděné nebo šterkové ploše, kdy by mohl vystřelený materiál způsobit poranění.
- Před spuštěním výrobku zkontrolujte všechny šrouby, matice a jiné upevňovací prvky, zda jsou řádně zabezpečeny a že kryty a sběrný box jsou na svém místě. Potřebujete-li vyměnit poškozené nebo nečitelné štítky, odneste jej do autorizovaného servisního střediska.

## POUŽÍVÁNÍ A PÉČE O BATERII

- Dobíjejte pouze nabíječkou určenou výrobcem. Nabíječka, která je vhodná pro jeden typ baterie, může při použití s jinou baterií představovat riziko.
- Elektrický nástroj používejte pouze s přesně určeným bateriovým modulem. Použití jakéhokoliv jiného akumulátoru může způsobit nebezpečí poranění a požáru.
- Pokud akumulátor nepoužíváte, uchovávejte jej mimo kovové předměty jako svorky pro papír, mince, klíče, hřebíky, šrouby nebo jiné malé kovové předměty, které mohou vytvořit propojení jednoho vývodu s druhým. Zkratování vývodů baterie může způsobit požár nebo popáleniny.
- Za nevhodných podmínek může z baterie vytékat kapalina; zabraňte kontaktu. Pokud dojde k náhodnému kontaktu, omyjte vodou. Pokud kapalina přijde do kontaktu s očima, ihned vyhledejte lékařskou pomoc. Kapalina vytečená z baterie způsobí podráždění nebo popáleniny.
- Nepoužívejte baterie ani nástroj, který je poškozený nebo upravený. Poškozené nebo upravené baterie se mohou chovat nepředvídatelně a důsledkem může být požár, výbuch nebo riziko zranění.

- Nevystavujte baterii ani zařízení ohni nebo příliš vysoké teplotě. Vystavení ohni nebo teplotám nad 130 °C může způsobit výbuch.
- Postupujte podle všech pokynů k nabíjení a nenabíjejte baterii nebo náradí mimo teplotní rozsah uvedený v návodu. Nesprávné nabíjení nebo při teplotách mimo uvedený rozsah může poškodit baterii a zvýšit riziko požáru.

## ÚDRŽBA

- Váš elektricky poháněný nástroj smí opravovat pouze kvalifikovaný opravárenský pracovník a musí používat pouze shodné náhradní díly. Toto zajišťuje udržování bezpečnosti elektricky poháněného nástroje.
- Nikdy neopravujte poškozené baterie. Baterie by měl opravovat pouze výrobce nebo autorizovaný servis.

## BEZPEČNOSTÍ UPOZORNĚNÍ K AKUMULÁTOROVÉMU DRTIČI

- Při přípravě přístroje k provozu zabezpečte jeho zajištění proti převrnutí. Pokud je přístroj vypnut příliš brzy, zbytky materiálu mohou ucpat sestavu nožů a při dalším zapnutí způsobit, že se motor nerozeběhne.
- Před nastartováním přístroje se podívejte do zásobníku a ujistěte se, že je prázdný.
- Udržujte obličej a tělo mimo vstupní otvor.
- Nenechávejte ruce nebo jakékoliv části těla nebo oděvu uvnitř vstupní komory, výsypného žlabu nebo v blízkosti pohyblivých částí.
- Vždy zabezpečte své pevné postavení. Udržujte řádné postavení a rovnováhu po celou dobu práce. Nepřeceňujte se. Při nakládání materiálu do zásobníku nikdy nestůjte nad úrovní stroje. Chodte, nikdy neběhejte.
- Když je přístroj v chodu, nikdy se nepohybujte v prostoru výhozu.
- Při nakládání materiálu do přístroje dávejte velký pozor, aby se v něm nenacházely kusy kovu, kameny, lahve, konzervy nebo jiné cizí předměty.

- Pokud řezný mechanismus narazí na nežádoucí předmět nebo začne vykazovat nezvyklé zvuky či chvění, přístroj vypněte a počkejte na úplné zastavení drtičícího mechanismu. Vyjměte akumulátorový modul. Provedte následující kroky:
  - Výrobek pečlivě prohlédněte, zda není poškozen.
  - Zkontrolujte a dotáhněte uvolněné části přístroje.
  - výměna a oprava všech poškozených dílů
- Nenechávejte kupit materiál ve výsypném žlabu; toto může zabránit správnému vysypávání způsobit zablokování a dále pak způsobit odmrštění materiálu přes vstupní otvor.
- Pokud dojde k ucpání přístroje, vypněte jej a vyčkejte úplného zastavení drtičícího mechanismu. Před odstraněním nečistot vyjměte akumulátor.
- Nikdy nepoužívejte výrobek, pokud chrániče, kryty, sběrný box nebo jiná bezpečnostní zařízení jsou vadná, nejsou řádně namontována a nejsou v provozuschopném stavu.
- Drtič nestěhujte a nepřepravujte, pokud je přístroj v chodu.
- Vypněte přístroj a vyjměte akumulátor. Ujistěte se, že se zastavily všechny pohyblivé díly:
  - před opuštěním výrobku
  - před čištěním usazenin
  - před kontrolou, čištěním nebo prací na nástroji,
- Během chodu přístroj nenaklánějte.
- Poranění mohou být způsobena, či zhoršena, prodlouženým používáním nástroje. Používáte-li tento přístroj delší dobu, zajišťujte pravidelné přestávky.
- Nástroj nijak neupravujte nebo nepoužívejte příslušenství, jež nejsou doporučena výrobcem. Vystavili byste sebe nebo druhé zvýšenému riziku vážného úrazu.
- Zajistěte trvalou ochranu větracích otvorů před ucpáním nebo zakrytím drtí. Motor by se mohl přehřát a případně by mohlo dojít k poškození přístroje nebo zvýšení rizika požáru.
- Vypněte výrobek před montáží nebo sundáním sběrného boxu.

- V případě nehody nebo poruchy okamžitě zařízení vypněte a vyjměte baterii. Výrobek můžete znovu používat až po důkladné kontrole autorizovaným servisním centrem.

## PRŮVODCE DRCENÍM

Pro nejlepší výsledky při drcení dodržujte pokyny v tabulce dole.

MATERIÁL	DRTÍCÍ METODA
Větve do průměru 40 mm.	Ostříhejte všechny boční porost zahradními nůžkami, než je vložíte do plnicí násypky.
Rostliny, plevel a křoviny	Vyklepejte půdu a kameny z kořenů pro zamezení poškození nožů.
Čerstvě ostříhané listy, větve živého plotu a kuchyňský odpad (tj. listy salátu, slupky zeleniny atd.)	U materiálů, které mají vysokou vlhkost, je doporučeno vkládat s několika suchými kusy v pravidelných intervalech pro lepší zasunutí materiálu do řezacího ústrojí a zabránění ucpání.
Suché větve a pruty	Jejich vložení na konci drcení napomůže vyčistit vlhkost a mízu z větví z nitra drtiče a drticí sestavy.

- Nenechávejte hromadit zahradní odpad před drtičem, protože začne kompostovat, příliš zvlhne a ucpe drticí jednotku. Suchý materiál je nejlepší pro sypkou dř. Odložte si některé suché kusy, aby vám pomohli ke konci drcení vyčistit oblast drcení.
- Často sledujte hromadění drceného materiálu.
- Když je sběrný box plný, výrobek vypněte před vyprázdněním.
- Když vkládáte dlouhé větve/stonky do výrobku, připravte se na vibrace a cukání, když se zachytí v drticím ústrojí. Obsluha přístroje musí mít za provozu vždy nasazeny ochranné brýle.
- Drticí zařízení má tendenci vtahovat větve/stonky do výrobku. Nepokoušejte se bránit vstupování materiálu k sekání po zapnutí drtiče. Při vkládání materiálu do přístroje vždy používejte ochranné rukavice, abyste předešli pořezání kůže.

- Při normálním používání přístroj nevyplínejte, dokud z drticího mechanismu není odveden veškerý rozdrčený materiál. Pokud je přístroj vypnut příliš brzy, zbytky materiálu mohou ucpat sestavu nožů a při dalším zapnutí způsobit, že se motor nerozeběhne.

## TRANSPORT A SKLADOVÁNÍ

- Před přenášením nebo uložením přístroje z něj vždy vyjměte akumulátor a nechte oba vychladnout.
- Ujistěte se, že byl výrobek před uložením na čisté, suché místo, mimo dosah dětí, řádně vyčištěn.
- Při transportu výrobku zajistěte proti pohybům nebo pádu, abyste zabránili poranění osob nebo poškození výrobku.

## TRANSPORT LITHIOVÝCH BATERIÍ

Přenos baterií dle místních a národních opatření a předpisů.

Dodržujte všechny zvláštní požadavky na balení a značení při transportu baterií třetí stranou. Zajistěte, aby žádné baterie nepřišly do kontaktu s jinými bateriemi nebo vodivými materiály při transportu pomocí ochrany nekrytých kontaktů prostřednictvím izolace, nevodivých krytek či lepicích pásek. Nepřepravujte prasklé nebo baterie s unikajícím elektrolytem. Ptejte se u zásilkové společnosti na další radu.

## DOPLŇUJÍCÍ BEZPEČNOSTNÍ UPOZORNĚNÍ K BATERII

- Ke snížení rizika požáru, úrazu a poškození výrobku v důsledku zkratu nikdy nenořte přístroj, baterii ani nabíječku do tekutiny a nedovolte, aby do nich tekutina vnikla. Korodující nebo vodivé kapaliny, jako je slaná voda, určité chemikálie a bělicí prostředky nebo výrobky, které obsahují bělidlo, mohou způsobit zkrat.
- Baterii dobíjejte na místě s teplotou prostředí mezi 10 °C a 38 °C.
- Baterii skladujte na místě s teplotou prostředí mezi 0 °C a 20 °C.
- Baterii používejte na místě s okolní teplotou 0 °C a 40 °C.

## ÚDRŽBA

- Používejte pouze originální příslušenství, doplňky a náhradní díly výrobce. Zanedbání může zapříčinit možné poranění, slabý výkon a může dojít ke ztrátě záruky.
- Před čištěním, kontrolou nebo opravou přístroje jej vypněte a vyčkejte, dokud se drticí mechanismus zcela nezastaví. Následně vyjměte baterii. Po několika drčeních se řezací mechanismus zahřeje. Před čištěním, kontrolou nebo nastavením jej nechte vychladnout.
- Řezací nože jsou velmi ostré. Pro zabránění poranění osob buďte velmi opatrní při čištění či práci v blízkosti nožů nebo v prostoru otevřeného krytu, když je sběrný box odebrán. Používejte vždy odolné ochranné rukavice.
- Uvědomte si, že se řezací prostředky mohou ještě pohybovat i když je přístroj vypnut nebo je-li blokovací spínač aktivován.
- Abyste zajistili nejlepší výkon výrobku, musí být stále čistý.
- Po použití vždy ihned výrobek vyčistěte. Kdykoli je to možné, používejte tvrdý kartáč v prostoru vstupu i výhozu a suchý hadřík na zevnějšek přístroje.
- Nenechte materiál na žádných plochách přístroje, obzvláště na nožích, zaschnout a ztvrdnout. Toto přímo ovlivňuje výkon drtiče.
- Ujistěte se, že plnicí násypka a výsypaný žlab jsou stále čisté a bez odpadního materiálu.
- Ubezpečte se, že jsou všechny matice, čepy a šrouby (s výjimkou seřizovacího šroubu) upevněny a dotaženy.
- Jakékoliv poškozené nebo opotřebované součásti se musí opravovat nebo vyměňovat kvalifikovanou osobou v autorizovaném servisním středisku.
- Nikdy se nepokoušejte deaktivovat blokovací spínače na sběrném boxu nebo demontovat přední kryt drticího ústrojí.
- Nikdy nenechte přijít brzdové kapaliny, petrolej, výrobky založené na petroleji, pronikavé oleje, atd. do kontaktu s plastovými součástmi. Nikdy nepoužívejte k čištění přístroje brzdovou kapalinu, benzín, ropné produkty ani ředidla. Mnoho plastů je citlivých na poškození různými typy komerčních rozpouštědel a mohou být jimi poškozeny.
- Vy sami můžete provádět úkony údržby popsané v tomto návodu k obsluze. Jiné opravy stroje svěřujte autorizovanému servisnímu středisku.

## SEŘÍZENÍ DRDICÍ ČELISTI

- Jestliže drtič neplní svoji funkci, může být potřeba seřídít drticí čelist.
- Drticí čelist je časem nutné seřídít. Drticí čelist by se měla lehce dotýkat nožů. Zajistěte, aby byl přístroj zapnut a jeho chod byl normální směrem vpřed.
- Seřizování drticí čelisti při vypnutém motoru může vést k vážnému poškození drtiče.

**POZNÁMKA:** Seřizování drticí čelisti by se mělo provádět pouze, když je to zcela nezbytné. Seřizování drticí čelisti příliš často nebo příliš daleko od nožů může způsobit ztrátu funkčnosti drtiče.

1. Během chodu přístroje otáčejte seřizovacím šroubem po směru chodu hodinových ručiček.
2. Pokud zaslechnete styk kovu s kovem nebo uvidíte na dně sběrné nádoby jemné hliníkové hobliny, ukončete seřizování a nechte přístroj běžet 30 sekund naprázdno, aby se nože nabrousily. Potom otočte seřizovacím knoflíkem proti směru chodu hodinových ručiček o půl otáčky až jednu otáčku, aby vznikla mezera 1 mm.

**POZNÁMKA:** Provádějte jakoukoliv úpravu pomalu, aby nedošlo k poškození výrobku. Nadměrně velké kroky nastavování desky mohou způsobit vážné poškození výrobku.

## SEŘÍZENÍ DRDICÍ ČELISTI POMOCÍ REŽIMU KALIBRACE

**POZNÁMKA:** Drtič musí být vypnutý.

1. Při vypnutém drtiči držte stisknuté tlačítko režimu kalibrace a přitom stiskněte tlačítko spouštění. Zahájí se kalibrace nožů.
2. Otáčejte knoflíkem pro seřízení drticí čelisti ve směru chodu hodinových ručiček, dokud se drtič nevypne.

**POZNÁMKA:** Potom otočte seřizovacím šroubem proti směru chodu hodinových ručiček o půl otáčky až jednu otáčku, dokud se drticí čelist a nože nepřestanou vzájemně dotýkat.

3. Po stisknutí spouštěcího tlačítka můžete opět do drtiče zavádět materiál k drčení.

## POZNEJTE SVŮJ NÁSTROJ

Viz strana 185.

1. Akumulátorový slot
2. Tlačítko zpětného chodu
3. Tlačítko režimu kalibrace
4. Tlačítko zastavení
5. Plnicí násypka

6. Tlačítko spuštění
7. Dvířka pro baterie
8. Seřizovací knoflík drticích čelistí
9. Tlačítko pro uvolnění kovového rámu
10. Kovový rám
11. Západka
12. Osa
13. Posouvač materiálu
14. Kolo
15. Závlačka
16. Podložka
17. Středová krytka
18. Návod k obsluze
19. Utahovací klíč Torx
20. Sběrná nádoba
21. Baterie
22. Nabíječka

## SYMBOLY NA VÝROBKU



Před používáním výrobku se obeznamte se všemi pokyny. Dbejte na všechna upozornění a dodržujte bezpečnostní pokyny.



Dávejte pozor na odmrštěné nebo odletující předměty. Všechny přihlízející, zvláště děti a zvířata udržujte ve vzdálenosti alespoň 15 m od pracovní oblasti.



Varování! Před údržbou, nastavením a čišťením odpojte baterie.



Nebezpečí! Rotační nože! Mějte ruce a nohy mimo otvory, když nástroj běží.



Ochrana očí a sluchu



Nepoužívejte jako schůdek k dosažení vyšších míst.



Počkejte, až se všechny součástky přístroje úplně zastaví, než se jich dotknete.



Zaručená hladina akustického výkonu



Navlékněte si pevné neklouzavé pracovní rukavice.



Když je přístroj vypnutý a výhoz je čistý, stlačte kalibrační tlačítko a začněte kalibraci nože.



Stisknutím zapněte a opětovným stisknutím přepínejte rychlost.



Přidržením tlačítka se spustí zpětný režim.



Značka shody s evropskými normami



Značka shody s britskými normami



Euroasijská značka shody



Značka shody s ukrajinskými normami



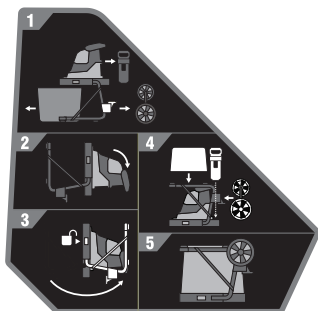
Režim kalibrace



Přetížení



Není vložena sběrná nádoba.



1. Vyjměte nápravu kol, nádobu a píst.
2. Položte přístroj na zem s rukojeťmi dolů.
3. Stiskněte uvolňovací tlačítko na kovovém rámu a složte nohy, dokud nezacvaknou.
4. Umístěte nápravu kol, nádobu a píst na úložné místo.
5. Přístroj uchovávejte na chladném, suchém a dobře větraném místě.

Nelikvidujte vybité baterie a elektrické a elektronické zařízení společně s netříděným komunálním odpadem.

Vybité baterie a elektrický a elektronický odpad musí být shromažďovány odděleně.

Vybité baterie, akumulátory a odpadní světelné zdroje musí být od zařízení odděleny.

Zjistěte si u místní samosprávy nebo u maloobchodníka, jaké jsou pokyny k recyklaci a kde je sběrné místo. Podle místních nařízení mohou mít maloobchodníci povinnost brát bezplatně zpět vybité baterie, elektrický a elektronický odpad.

Když budete přispívat k opětnému použití a recyklaci vybitých baterií a elektrického a elektronického odpadu, pomůže to snížit potřebu surovin. Vybité baterie, zejména ty s obsahem lithia, elektrický a elektronický odpad obsahují cenné a recyklovatelné materiály, které mohou mít nepříznivý dopad na životní prostředí a lidské zdraví, pokud nejsou ekologicky likvidovány.

Odstraňte z odpadu osobní údaje, pokud nějaké obsahuje.



## SYMBOLY V NÁVODU



Díly nebo příslušenství jsou v prodeji samostatně



Poznámka



Varování



Zamknuto



Odemknuto



ŘEŠENÍ PROBLÉMŮ		
PROBLÉM	PŘÍČINA	VÝZNAM
Motor neběží.	Přehřátí	Nechte přístroj 15 minut vychladnout. K přehřátí může dojít, když je okolní teplota vysoká a přístroj byl používán dlouhou dobu bez přestání.
	Baterie	Zkontrolujte, zda je baterie plně nabitá, nejsou zde žádné známky po vniknutí vody a poškození. Otestujte baterii v jiném přístroji, zda funguje.
	Sběrná nádoba	Vložte sběrnou nádobu podle štítků na boční straně nádoby tak, aby byla plně zasunuta a zajištěna.
	Disk chrániče čepele	Ujistěte se, že všechny 4 šrouby přichycující disk chrániče čepele jsou plně utaženy.
Materiál nepostupuje do výhozu.	V podávacím trychtýři se zasekl materiál.	Pečlivě dodržujte pokyny v tomto návodu pro čištění překážek.
	Drticí čelist je příliš daleko od žacího nože.	Pokyny pro nastavení napětí drticí čelisti najdete v návodu.

- EN
- FR
- DE
- ES
- IT
- NL
- PT
- DA
- SV
- FI
- NO
- RU
- PL
- CS**
- HU
- RO
- LV
- LT
- ET
- HR
- SL
- SK
- BG
- UK
- TR

Az akkumulátoros aprító tervezése során elsődleges szempont volt a biztonság, a teljesítmény és a megbízhatóság.

## RENDELTETTÉSSZERŰ HASZNÁLAT

Az akkumulátoros aprító a szerves kerti hulladék csökkentésére szolgál, úgymint ágak, gallyak és levelek.

A termék kültéren használatos, álló helyzetben, miközben az üzemeltető a talajon áll.

Ne használja a terméket szerves anyaghoz, fémhez vagy a maximális vágási kapacitását meghaladó anyaghoz.

A terméket fel kell szerelni a mellékelt állványra, és használni kell a mellékelt gyűjtődobozt. Nem szabad a kézikönyvben ismertetett módtól eltérően felszerelni.

Semmilyen más célra ne használja.

## ÁLTALÁNOS BIZTONSÁGI FIGYELMEZTETÉSEK

**⚠ FIGYELMEZTETÉS!** Ezt a terméket nem használhatják gyerekek és korlátozott fizikai, érzékelési vagy mentális képességekkel rendelkező személyek. A kisgyermekekre egy a gép kezelőjétől különböző személynek folyamatosan vigyázni kell, hogy biztosan ne játsszanak a termékkel vagy a termék környezetében.

**⚠ FIGYELMEZTETÉS!** A termék használatakor a tűz, elektromos áramütés és a személyi sérülések veszélyének csökkentése érdekében az alapvető biztonsági óvintézkedéseket mindig be kell tartani. A termék használata előtt figyelmesen olvassa el az összes biztonsági előírást. Legyen tisztában a termék kezelőszerveivel és helyes használatával. Tartsa meg a kézikönyvet, hátha a későbbiekben szüksége lehet rá.

## GYAKORLÁS

- Ismerje meg az útmutatásokat, mielőtt megpróbálja a terméket üzemeltetni.
- Ne hagyja, hogy gyerekek vagy a termék használatát nem ismerő felnőttek használják a terméket. A helyi előírások korlátozhatják a kezelő életkorát.
- A termék üzemeltetője vagy felhasználója felel a balesetekért vagy veszélyekért, amelyet más embereknek vagy azok tulajdonával kapcsolatban okozott.

## ELŐKÉSZÜLET

- Soha ne működtesse a gépet, ha emberek - különösen gyerekek - vagy állatok vannak a közelben.
- Ne használja a terméket rossz időjárási körülmények között, különösen villámlás kockázata idején. A termék használata közben mindig viseljen fülvédőt és védőszemüveget.
- A termék működtetése közben mindig megfelelő lábbelit és hosszú nadrágot viseljen. Ne használja a gépet mezítláb vagy nyitott szandálban. Kerülje a bő ruhák viseletét, vagy amelyből kábelek vagy madzagok lógnak ki.
- Csak nyitott területen (pl. ne legyen túl közel falhoz vagy rögzített tárgyhoz) és szilárd, vízszintes felületen üzemeltesse a terméket.
- Ne használja a gépet kavicsos vagy kövezett felületen, ahol a kidobott anyag sérülést okozhat.
- A termék elindítása előtt ellenőrizze, hogy az összes csavar, csavaranya, és más rögzítők megfelelően meg vannak húzva, és hogy a védőburkolatok és gyűjtődoboz a helyükön vannak. Vigye a terméket hivatalos szervizközpontba a sérült alkatrészek vagy olvashatatlan címkék pótlásához.

## AKKUMULÁTOR SZERSZÁM GONDOZÁSA ÉS HASZNÁLATA

- Csak a gyártó által megadott töltővel töltsé az akkumulátorokat. Egy bizonyos típusú akkumulátorhoz alkalmas töltő kockázatot okozhat, ha más típusú akkumulátorhoz használják.
- A szerszámokat csak a hozzájuk való akkumulátorokkal üzemeltesse. Más akkumulátorok használata tűzveszélyes lehet, és sérüléseket okozhat.
- Az akkumulátort használaton kívül tartsa távol más fém tárgyaktól, úgymint gemkapcsoktól, érméktől, kulcsoktól, szögektől, csavaroktól vagy más kisméretű fém tárgyaktól, amelyek rövidre zárhatják a két érintkezőt. Az akkumulátor érintkezőinek rövidre zárása tüzet vagy égéseket okozhat.
- Nem megfelelő körülmények esetén folyadék távozhat az akkumulátorból, kerülje az azzal való érintkezést. Ha mégis érintkezik vele, öblítse le vízzel. Ha a folyadék szembe kerül, forduljon orvoshoz. Az akkumulátorból kifolyt folyadék irritációt vagy égéseket okozhat.

- Ne használjon sérült vagy átalakított akkucsomagot vagy eszközt. A sérült vagy átalakított akkumulátor előre nem látható módon üzemelhet, ami tüzet, robbanást, más kockázatot vagy sérülést okozhat.
- Ne tegye ki az akkucsomagot vagy az eszközt túl magas hőmérsékleti hatásnak és ne tegye tűzbe ezeket. A tűznek vagy a 130°C feletti hőmérsékletnek való kitettség robbanást okozhat.
- Tartsa be az összes töltési utasítást, és ne töltsen az akkumulátort vagy az eszközt az utasításban megadott hőmérséklet-tartományon kívül. A helytelen töltés vagy a megadott tartományon kívüli hőmérsékleten való feltöltés az akkumulátort károsíthatja, és a tűzveszély kockázatát növelheti.

## KARBANTARTÁS

- A szerszámgépet csak szakképzett szervizszakemberrel szervizeltesse, csak azonos cserealkatrészeket használva. Ez biztosítja, hogy a szerszámgép használata továbbra is biztonságos legyen.
- Soha ne javítson sérült akkucsomagokat. Az akkucsomagok javítását csak a gyártó vagy a hivatalos szervizek végezhetik.

## AZ AKKUMULÁTOROS APRÍTÓ BIZTONSÁGI FIGYELMEZTETÉSEI

- A termék használatra való előkészítése során győződjön meg róla, hogy a termék biztosan álljon és ne boruljon fel. Ha a terméket túl gyorsan állítja le, maradvány anyagdarabok tömíthetik el a pengeszerelevényt és a termék visszakapcsolásakor leállíthatják a motort.
- A termék elindítása előtt nézzen be az adagolókamrába, és győződjön meg arról, hogy üres legyen.
- Az arcát és a testét tartsa távol az etetőnyílástól.
- Ne hagyja, hogy ruházata, kezei vagy bármilyen más testrésze az etetőcsúszdába, a kidobócsúszdába vagy bármilyen mozgó alkatrész közelébe kerüljön.
- Mindig biztosan álljon. Mindig tartson megfelelő testtartást és egyensúlyt. Ne hajoljon ki túlságosan. Amikor anyagot adagol, soha ne álljon magasabb szinten, mint a termék alapja. Gyalogoljon, ne fusson.
- A termék üzemeltetése közben mindig álljon távol az ürítési zónától.
- Amikor anyagot adagol a termékbe, legyen nagyon óvatos, hogy ne legyenek benne fémdarabok, kövek, palackok, fémdobozok vagy más idegen tárgyak.
- Ha a vágómechanizmus nekiütközik egy idegen tárgynak, vagy ha a termék szokatlan zajt bocsát ki, vagy rázkódik, akkor kapcsolja ki a terméket, és várja meg, hogy a vágóeszköz teljesen leálljon. Vegye ki az akkumulátort. Hajtsa végre a következő lépéseket:
  - Alaposan vizsgálja át a terméket sérülések után kutatva.
  - Ellenőrizze és húzza meg a termék összes laza alkatrészét.
  - cserélje ki vagy javítsa meg a sérült alkatrészeket
- Ne hagyja, hogy a felaprított anyag felgyűljön a kidobócsúszdán, mert ez meggátolhatja a megfelelő ürítést vagy eltömődést okozhat, és az anyag visszalökődhet az etetőnyílásba.
- Ha a termék eltömődik, kapcsolja ki és várja meg, hogy a kések teljesen leálljanak. A törmelék kítakarítása előtt vegye ki az akkumulátort.
- Ne működtesse a terméket, ha a védőburkolatok, fedelek, gyűjtődoboz vagy más biztonsági eszközök hibásak, nincsenek a helyükön és nincsenek jól működő állapotban.
- A terméket ne mozgassa vagy szállítsa működés közben.
- Kapcsolja ki és távolítsa el az akkumulátort. Ellenőrizze, hogy minden mozgó rész teljesen megállt:
  - mielőtt magára hagyná a terméket
  - az eltömődés eltávolítása előtt
  - ellenőrzés, karbantartás vagy a gépen végzett bármilyen művelet megkezdése előtt;
- Ne döntse meg a terméket működés közben.
- Hosszabb használat sérülést okozhat. Ha a terméket hosszabb ideig használja, ügyeljen arra, hogy rendszeresen tartson szünetet.

- Semmilyen módon ne módosítsa a gépet vagy használjon a gyártó által nem ajánlott alkatrészeket és tartozékokat. Ez növelheti az Ön vagy mások súlyos sérülésének kockázatát.
- Mindig biztosítsa, hogy a szellőzőnyílások pormentesek legyenek. A motor túlmelegedhet, ami károsíthatja a terméket vagy növelheti a tűz kockázatát.
- Kapcsolja ki a terméket a gyűjtődoboz felhelyezésekor és eltávolításakor.
- Baleset vagy üzemzavar esetén azonnal kapcsolja ki és vegye ki az akkumulátort. Ne használja a készüléket, amíg teljesen ét nem vizsgálták egy hivatalos szervizközpont

## APRÍTÁSI ÚTMUTATÓ

A legjobb eredmény érdekében kövesse a lenti táblázatban látható útmutatásokat.

### ANYAG

### APRÍTÁSI MÓDSZER

Legfeljebb 40 mm átmérőjű ágak.

Metszőollóval csipkedje le az oldalsó hajtásokat még az adagolótölcsérbe való beadagolás előtt.

Ágyazott palánták, gaz és sövényhajtások

A kések sérülésének elkerülése érdekében a gyökerekről távolítsa el a talajt és a köveket.

Frissen vágott lomb, sövény és konyhai hulladék (pl. káposztamaradék, zöldségek héja stb.)

Bármilyen nagy nedvességtartalmú anyag esetében tanácsos rendszeresen száraz darabokat is beadagolni, ami segíti az anyag a vágószerelvényen való áthaladását és megakadályozza az eltömődést.

Száraz gallyak és ágak

Ha ilyeneket adagol a gépbe az aprítás végén, azzal segít eltávolítani a termék belsejéből és a vágószerelvényből a nedvességet és a növény nedveit.

- Ne hagyja, hogy az aprítás előtt a kerti hulladék összegyűljön és komposztálódni kezdjen, és így túl nedves legyen és eltömítse a

vágószerelvényt. A száraz anyag segít a legtöbb anyag eltávolításában a kidobócsúszdából. Hagyjon néhány száraz fadarabot a végére a kések körüli terület megtisztításához.

- Rendszeresen ellenőrizze a felaprított anyag felhalmozódását.
- Amikor a gyűjtődoboz megtelt, kapcsolja ki a terméket a kiürítéshez.
- Hosszú faágak/gallyak termékbe való adagolásakor figyeljen oda, mert a vágókés rángathatja és rezgetetheti azokat. A kezelőnek a termék használatakor mindig szemvédőt kell viselnie.
- A vágóeszköz hajlamos behúzni az ágakat/gallyakat a termékbe. Ne próbálja meggátolni a vágandó anyag előrehaladását az adagolás megkezdése után. Mindig vegyen fel kesztyűt a termék adagolásakor, hogy megelőzze a bőre felhorzsolását.
- A szokásos használat során ne kapcsolja ki a terméket addig, amíg valamennyi aprított anyag ki nem ürült a vágószerelvényből. Ha a terméket túl gyorsan állítja le, maradvány anyagdarabok tömíthetik el a pengeszerelvényt és a termék visszakapcsolásakor leállíthatják a motort.

## SZÁLLÍTÁS ÉS TÁROLÁS

- Tárolás vagy szállítás előtt kapcsolja ki a terméket, vegye ki az akkut és hagyja mindkettőt lehűlni.
- Ügyeljen rá, hogy a termék tiszta, száraz és biztonságos, gyerekek által nem elérhető helyen való tárolása előtt alaposan meg legyen tisztítva.
- Szállításakor rögzítse a terméket elmozdulás és leesés ellen, hogy elkerülje a sérüléseket és a termék sérülését.

## LÍTIUM AKKUMULÁTOROK SZÁLLÍTÁSA

Az akkumulátorokat a helyi és nemzeti előírásokkal és szabályokkal összhangban szállítsa.

Az akkumulátorok külső fél általi szállításakor kövesse a csomagolásra és a címkézésre vonatkozó speciális előírásokat. Ügyeljen arra, hogy az akkumulátorok ne érhessenek más akkumulátorokhoz vagy vezető anyagokhoz szállítás közben; ehhez a szabadon maradt csatlakozókat védje szigetelő fedéllel vagy szalaggal. Ne szállítson repedt vagy szivárgó akkumulátorokat. További információért vegye fel a kapcsolatot a továbbítást végző céggel.

## AZ AKKUMULÁTOR KIEGÉSZÍTŐ BIZTONSÁGI FIGYELMEZTETÉSEI

- A rövidzárlat általi tűz, sérülések vagy termékárosodások veszélye elkerülésére ne merítse a szerszámot, a cserélhető akkut vagy a töltőkészüléket folyadékokba, és gondoskodjon arról, hogy ne hatoljanak folyadékok a készülékekbe és az akkukba. A korrozív hatású vagy vezetőképes folyadékok, mint pl. a sós víz, bizonyos vegyi anyagok, fehérítők vagy fehérítő tartalmú termékek, rövidzárlatot okozhatnak.
- Olyan helyen töltsé az akkumulátort, ahol a környezeti hőmérséklet 10 °C és 38 °C között van.
- Az akkumulátort 0 °C és 20°C közötti hőmérsékleten tárolja.
- Az akkumulátort 0 °C és 40 °C közötti hőmérsékleten használja.

## KARBANTARTÁS

- Csak a gyártó eredeti cserealkatrészeit, tartozékait és szerelékeit használja. Ennek figyelmen kívül hagyása gyenge motorteljesítményt, esetleges sérülést és a jótállás elvesztését okozhatja.
- A termék átvizsgálása, tisztítása vagy karbantartása előtt kapcsolja ki azt, hagyja, hogy a vágóeszköz teljesen leálljon, és vegye ki az akkumulátort. Aprítás közben bizonyos idő után a vágó mechanizmus felmelegszik. Tisztítás, átvizsgálás vagy beállítás előtt hagyja lehűlni.
- A vágókések különösen élesek. A sérülések elkerülésére legyen különösen óvatos és körültekintő, amikor a kések környezetét tisztítja vagy ott dolgozik, vagy a nyitott burkolatban végez valamilyen műveletet, amikor a gyűjtődoboz el van távolítva. Mindig viseljen nehéz igénybevételre tervezett védőkesztyűt.
- Figyeljen oda, hogy a vágóeszközök áramkimaradás esetén is mozgathatóak legyenek, illetve a reteszelő kapcsoló be legyen húzva.
- A terméket a legjobb teljesítmény érdekében tisztán kell tartani.
- A használat után mindig azonnal tisztítsa meg a terméket. Amikor csak lehetséges, használjon kemény kefét az etető- és kidobócsúszda, és száraz törlőruhát a termék külsejének tisztításakor.

- Ne hagyja, hogy a termék bármely felületén – különösen a pengéken – az anyag szárazzá és keménnyé váljon. Ez közvetlen hatással van az aprító teljesítményére.
- Ügyeljen rá, hogy az adagolótölcsér és a kidobócsúszda mindig tiszta és hulladékanyagtól mentes legyen.
- Biztosítsa, hogy minden anyacsavar és csavar (az állítócsavar kivételével) szoros és biztos legyen.
- A sérült vagy elkopott alkatrészeket mindig szakképzett személlyel javíttassa meg vagy cseréltesse ki egy hivatalos szervizközpontban.
- Ne próbálja meg kikerülni a gyűjtődoboz vagy vágószerszervény elülső fedele reteszelő kapcsolóit.
- A műanyag részek semmilyen körülmények között nem érintkezhetnek fékolajjal, benzinnel, petróleum alapú termékekkel, beszívódó olajokkal stb. A termék tisztításához soha ne használjon fékfolyadékot, petróleumalapú termékeket vagy más oldószert. A legtöbb műanyag érzékeny a különböző típusú kereskedelmi oldószerekre és azok használata esetén károsodhat.
- Elvégezheti a karbantartási feladatokat a kézikönyvben leírtak szerint. Egyéb javítás tekintetében a terméket engedéllyel rendelkező szervizben javíttassa.

## AZ APRÍTÓLEMEZ BEÁLLÍTÁSA

- Ha a termék nem darabolja az anyagot, esetleg be kell állítani az aprítólemezt, vagy meg kell élezni a késeket.
- Idővel a termék aprítólemezt be kell állítani. Ezt az aprítólemez beállításával végezheti el, így az enyhén hozzá fog érni a késekhez. Győződjön meg róla, hogy a termék be van kapcsolva és normál előremenet irányába működik.
- A motor kikapcsolt állapotában az aprítólemez beállítása komoly károkat okozhat a termékben.

**MEGJEGYZÉS:** Az aprítólemez beállítását csak abszolút szükséges esetben próbálja meg. Az aprítólemez túl gyakori vagy túl messzi beállítása leállíthatja a termék működését.

1. A termék üzemelése közben az óramutató járásával megegyezően fordítsa el a beállító gombot.
2. Ha azt hallja, hogy fém érintkezik fémmel, vagy ha finom alumínium forgácsot lát a gyűjtőedény alján, állítsa le a beállítást, és hagyja a terméket 30 másodpercig működni. Ezután fordítsa el a beállító gombot balra fél-1 fordulattal, amíg már nem érintkezik az aprítólemezzel, és 1 mm-es rés marad.

**MEGJEGYZÉS:** Lassan hajtson végre minden beállítást, hogy elkerülje a termék károsodását. A lemez túlzott állítása a termék súlyos károsodását okozhatja.

### APRÍTÓLEMEZ BEÁLLÍTÁSA A KALIBRÁCIÓS ÜZEMMÓDDAL

**MEGJEGYZÉS:** Győződjön meg arról, hogy a termék ki van kapcsolva.

1. Kikapcsolt termék mellett tartsa lenyomva a kalibrációs üzemmód gombot, majd nyomja meg az indítógombot. A kés elkezd a kalibrálást.
2. Fordítsa jobbra az aprítólapot beállító gombot, míg a termék kikapcsol.

**MEGJEGYZÉS:** Fordítsa a gombot fél-1 fordulattal balra, míg az aprítólap és a kések már nem érnek egymáshoz.

3. Nyomja meg az indítógombot, hogy újból adagolja az anyagot a termékbe.

### ISMERJE MEG A TERMÉKET

Lásd 185. oldal.

1. Akkumulátorrekesz
2. Fordító gomb
3. Kalibrációs üzemmód gomb
4. Leállító gomb
5. Etetőcsúszda
6. Indítógomb
7. Akkumulátorfedél
8. Aprítólemez állítógomb
9. Fémlemezkioldó gomb
10. Fém keret
11. Rétesz
12. Tengely
13. Anyagdugattyú
14. Kerék
15. Hasítócsap
16. Alátétkarika
17. Dísztárcsa
18. Kezelői kézikönyv
19. Torx kulcs
20. Gyűjtőedény
21. Akkumulátor
22. Töltő

### SZIMBÓLUMOK A TERMÉKEN



A termék használata előtt olvasson el és értsen meg minden utasítást. Tartsa be az összes figyelmeztetést és biztonsági utasítást.



Figyeljen a kivetett vagy repülő tárgyra. Az összes nézelődő, különösen a gyerekek és a háziállatok, legyenek legalább 15 m-es távolságra a használati területtől.



Figyelmeztetés! Karbantartás, beállítás és tisztítás előtt válassza le az akkumulátort.



Veszély! Forgó kések. A termék működése közben a kezeit és a lábát tartsa távol a nyílásoktól.



Viseljen szem- és fülvédőt.



Ne használja fellépőként.



Mielőtt megérintené azokat, várja meg, amíg a termék összes alkatrésze teljesen leáll.



Garantált hangteljesítményszint



Viseljen csúszásgátló bevonatú, nehéz igénybevételre tervezett védőkesztyűt.



Amikor a termék ki van kapcsolva, és a csúszda üres, nyomja meg a kalibráló gombot a vágótárcsa kalibrálásának megkezdéséhez.



Nyomja meg a bekapcsoláshoz, és nyomja meg újra a sebesség átkapcsolásához.



Tartsa lenyomva a gombot a hátrameneti üzemmódban való működtetéshez.



Európai megfeleléségi jelölés



Brit megfeleléségi jelölés



Eurázsiai megfeleléségi jelzés



Ukrán megfeleléségi jelölés



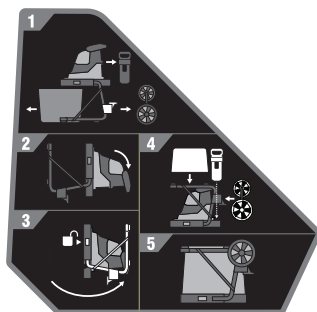
Kalibrációs üzemmód



Tölterhelt



Gyűjtődény nincs behelyezve



1. Vegye ki a keréktengelyt, gyűjtődényt és dugattyút.
2. Fektesse le a terméket a földre, lefelé néző fogantyúkkal.
3. Nyomja meg a fémkeret kioldógombját, és hajtsa fel a lábakat, amíg a helyükre nem rögzülnek.
4. Tegye a keréktengelyt, gyűjtődényt és dugattyút a tárolási helyükre.
5. A terméket hűvös, száraz, jól szellőző helyen tárolja.



Az akkumulátorok, valamint az elektromos és elektronikus berendezések hulladékait ne dobja a válogatatlan települési hulladékok közé. Az akkumulátorok, valamint az elektromos és elektronikus berendezések hulladékait elkülönítve gyűjtse. A hulladékká vált elemeket, akkumulátorokat és fényforrásokat vegye ki a berendezésből. Lépjen kapcsolatba a helyi hatósággal vagy kereskedővel az újrahasznosításra vonatkozó útmutatásért és a gyűjtőállomásokkal kapcsolatos információkért. A helyi szabályozások szerint a kereskedők kötelesek lehetnek ingyen visszavenni az akkumulátorok, illetve az elektromos és elektronikus berendezések hulladékait. A hozzájárulása az akkumulátorok, illetve az elektromos és elektronikus berendezések hulladékainak újrafelhasználásához és újrafeldolgozásához segít csökkenteni a nyersanyagok iránti keresletet. Különösen a lítiumot tartalmazó akkumulátorok, illetve az elektromos és elektronikus berendezések hulladékai értékes és újrafeldolgozható anyagokat tartalmaznak, amelyek káros hatással lehetnek a környezetre és az emberi egészségre, ha nem környezetbarát módon kezelik őket. A hulladékká vált berendezésből szükség esetén törölje a személyes adatokat.

## A KÉZIKÖNYVBEN HASZNÁLT SZIMBÓLUMOK



Külön értékesített alkatrészek és kiegészítők



Megjegyzés



Figyelem



Retesz



Szétnyitás

## HIBAELHÁRÍTÁS

PROBLÉMA	OK	MAGYARÁZAT
A motor nem jár.	Hőmérsékleti túlterhelés	Hagyja a terméket lehűlni 15 percen át. Ez akkor következhet be, ha a környezeti hőmérséklet magas, és a terméket állandóan, szünet nélkül használták.
	Akkumulátor	Ellenőrizze, hogy az akkumulátor teljesen fel van-e töltve, nem mutatja-e vízbejutás jeleit, és nem sérült-e. Tesztelje az akkumulátort egy másik eszközben, hogy meggyőződjön a megfelelő működéséről.
	Gyűjtőedény	Helyezze be a gyűjtőedényt az oldalán lévő címkék alapján, és győződjön meg arról, hogy teljesen behelyezte, és alkalmazta az első zárat.
	Vágótárcsa-védőlap	Győződjön meg arról, hogy a vágótárcsa-védőlapot rögzítő mind a 4 csavar teljesen meg van húzva.
Nem kerül anyag a csúszdába.	Az anyag eltömődött az adagolótolcsérben.	Kövesse az útmutatóban megadott lépéseket az eltömődés megszüntetéséhez.
	A nyomólemez túl messze van a vágókéstől.	Kövesse a kézikönyv útmutatását a nyomólemez feszességének beállításához.



Siguranța, performanța și fiabilitatea au constituit principalele noastre preocupări la proiectarea mașinii dvs. de mărunțit fără fir.

## UTILIZARE PREVĂZUTĂ

Mașina de mărunțit fără fir este destinată reducerii deșeurilor organice din grădină, cum ar fi ramuri, nuiele și frunze.

Produsul este destinat utilizării în spații deschise, în poziție staționară, de către un operator care să stea în picioare pe sol.

Produsul nu este destinat mărunțirii materialelor neorganice, metalelor sau materialelor care depășesc capacitatea maximă de tăiere a acestuia.

Produsul trebuie montat pe un standul furnizat și trebuie folosit cu cutia de colectare furnizată. Nu trebuie montat în niciun alt fel decât cel arătat în acest manual.

Nu folosiți în alte scopuri.

## AVERTISMENTE GENERALE PRIVIND SIGURANȚA

**⚠ AVERTISMENT!** Produsul nu este destinat a fi folosit de către copii sau persoane cu capacități fizice, mintale sau senzoriale reduse. Copiii trebuie să fie supravegheați tot timpul de către o persoană, alta decât operatorul, pentru a se asigura că nu se vor juca lângă sau cu produsul.

**⚠ AVERTISMENT!** Atunci când folosiți produsul trebuie urmate precauții de siguranță de bază pentru a reduce riscul de incendiu, electrocutare sau vătămare personală. Citiți cu atenție toate aceste instrucțiuni de siguranță înainte de a opera produsul. Familiarizați-vă cu comenzile și folosirea corectă a produsului. Vă rugăm să păstrați instrucțiunile într-un loc sigur pentru utilizare ulterioară.

## INSTRUIRE

- Familiarizați-vă cu instrucțiunile înainte de a încerca să operați produsul.
- Nu lăsați niciodată copiii sau persoanele nefamiliarizate cu aceste instrucțiuni să folosească produsul. Reglementările locale pot restricționa vârsta operatorului.
- Operatorul sau utilizatorul produsului este responsabil pentru accidente sau riscurile la care sunt expuse celelalte persoane sau obiectele aparținând acestora.

## PREGĂTIRE

- Nu utilizați niciodată mașina în timp ce în apropiere se află persoane, în special copii sau animale de companie.
- Nu utilizați produsul în condiții de vreme nefavorabilă, mai ales când există riscul de producere de fulgere. Tot timpul cât lucrați cu produsul purtați ochelari de protecție și echipament de protecție a urechilor.
- În timpul operării produsului purtați întotdeauna încălțăminte rezistentă și pantaloni lungi. Nu operați mașina când sunteți desculți sau purtați sandale deschise. Evitați să purtați de îmbrăcăminte largă sau care are cordoane sau șireturi libere.
- Utilizați produsul numai în spații deschise (de exemplu, nu în apropierea unui perete sau a unui obiect fix) și pe suprafețe ferme și uniforme.
- Nu folosiți mașina pe o suprafață pavată sau acoperită cu pietriș, unde materialul evacuat ar putea cauza vătămarea corporală.
- Înaintea pornirii produsului, verificați ca toate șuruburile, piulițele și alte încuietori sunt corespunder fixate și că apărătorile și cutia de colectare sunt la locul lor. Duceți produsul într-un centru autorizat de service pentru înlocuirea pieselor deteriorate sau a etichetelor ilizibile.

## UTILIZAREA ȘI ÎNTREȚINEREA UNELTEI CU ACUMULATOR

- Reîncărcați numai cu încărcătorul specificat de producător. Încărcătoarele adecvate anumitor tipuri de acumulatori pot reprezenta un pericol dacă sunt folosite cu alte tipuri de acumulatori.
- Folosiți uneltele electrice numai cu acumulatorii indicați. Utilizarea oricărui alți acumulatori poate crea un risc de vătămare și de incendiu.
- Atunci când acumulatorul nu este în uz, păstrați-l departe de alte obiecte metalice, cum ar fi agrafe de birou, monede, chei, cuie, șuruburi sau alte obiecte metalice mici, care pot face o conexiune de la o bornă la alta. Scurtcircuitarea bornelor bateriei poate provoca arsuri sau incendiu.
- Ca urmare a folosirii necorespunzătoare, din acumulator se poate scurge lichid; evitați contactul cu acesta. În cazul unui contact accidental, spălați cu apă. În cazul contactului cu ochii, consultați suplimentar un medicul. Lichidul care iese din acumulator poate provoca iritații sau arsuri.

- Nu utilizați acumulatori sau unelte deteriorate sau modificate. Acumulatorii deteriorați sau modificați au un comportament imprevizibil și prezintă pericol de incendiu, explozie sau accidentare.
- Nu expuneți acumulatorul sau unealta la foc sau temperaturi excesive. Expunerea la foc sau temperaturi de peste 130°C prezintă pericol de explozie.
- Respectați toate instrucțiunile de încărcare și nu încărcați acumulatorul sau unealta la temperaturi din afara intervalului specificat în instrucțiuni. Încărcarea necorespunzătoare sau la o temperatură din afara intervalului specificat poate deteriora acumulatorul și crește riscul de incendiu.
- Stați întotdeauna departe de zona de evacuare atunci când operați produsul.
- Când introduceți material în tocător, acordați o atenție deosebită să nu introduceți odată cu materialul și bucăți de metal, pietre, sticle, cutii de conservă sau alte obiecte străine.
- În cazul în care mecanismul de tăiere lovește obiecte străine sau în cazul în care produsul începe să scoată zgomote neobișnuite sau are vibrații, opriți produsul și lăsați dispozitivele de tăiere să se oprească complet. Scoateți acumulatorul. Respectați următorii pași:
  - Inspectați cu atenție produsul. să nu aibă vreo defecțiune.
  - Verificați și strângeți toate piesele care s-au slăbit.
  - Înlocuiți sau reparați toate piesele deteriorate

## ÎNȚREȚINERE

- Solicitați efectuarea lucrărilor de service la unealta dvs. electrică numai de către o persoană calificată în reparații, folosind numai piese de schimb identice. Acest lucru va garanta că siguranța unelei electrice este menținută.
- Nu trebuie să efectuați niciodată reparații asupra acumulatorilor deteriorate. Reparațiile asupra acumulatorilor trebuie să fie efectuate numai de către producător sau de furnizorii de servicii autorizați.
- Nu permiteți materialului procesat să se acumuleze în jghebul de evacuare căci ar putea împiedica evacuarea corespunzătoare sau se va bloca și poate rezulta în recul al materialului prin deschizătura de admisie a alimentării cu material.
- Dacă produsul se înfundă, opriți-l și permiteți dispozitivelor de tăiere să se oprească complet. Scoateți acumulatorul înainte de a curăța reziduurile organice.
- Nu operați niciodată produsul dacă apărătorile, capacele, cutia de colectare sau alte dispozitive de siguranță sunt defecte, nu sunt la locul lor și nu sunt în stare bună de funcționare.
- Nu mutați sau transportați produsul în timp ce este pornit.
- Opriți alimentarea și deconectați acumulatorul. Asigurați-vă că toate piesele mobile s-au oprit complet:
  - înainte de a lăsa produsul nesupravegheat
  - înainte de a îndepărta un obiect ce a determinat un blocaj
  - înainte de a verifica, curăța sau lucra asupra produsului

## AVERTISMENTE DE SIGURANȚĂ LEGATE DE MAȘINA DE MĂRUNȚIT FĂRĂ FIR

- Atunci când instalați produsul pentru utilizare, asigurați-vă că acesta este securizat astfel încât să nu se răstoarne. Dacă produsul este oprit prea devreme, bucățile rămase de material pot să blocheze ansamblul de cuțițe și să oprească motorul atunci când reporniți produsul.
- Înainte de a porni tocătorul, verificați compartimentul de alimentare pentru a vă asigura că este gol.
- Țineți fața și corpul departe de deschiderea de alimentare.
- Nu introduceți mâinile sau nicio altă parte a corpului sau hainele în interiorul camerei de alimentare, al jghebului de evacuare sau în apropierea oricărei piese în mișcare.
- Trebuie să stați întotdeauna într-o poziție stabilă. În timpul operării dispozitivului, păstrați-vă în permanență echilibrul și stabilitatea. Nu vă aplecați excesiv. Când introduceți material în tocător, nu stați niciodată în picioare, mai sus decât baza acestuia. Mergeți. Nu alergați niciodată.
- Nu modificați mașina în niciun fel sau să folosiți părți și accesorii ce nu sunt recomandate de către producător. Acest lucru poate spori riscul producerii de leziuni serioase dumneavoastră sau altor persoane.

- Asigurați-vă că fantele de ventilație sunt întotdeauna neobturate de resturi. Este posibil ca motorul să se supraîncălzească, lucru care ar putea cauza deteriorarea produsului sau spori riscul de incendiu.
- Opriti produsul înainte de atașarea sau începerea cutiei de colectare.
- Opriti imediat mașina și îndepărtați acumulatorul în caz de accident sau defecțiune. Nu utilizați din nou produsul înainte de a realiza o verificare completă, la un centru de service autorizat.

## GHID DE TOCARE A MATERIALULUI

Pentru cele mai bune rezultate atunci când tocați material, urmăriți îndrumările arătate în tabelul de mai jos.

MATERIAL	METODĂ DE TOCARE A MATERIALULUI
Ramuri cu diametrul de până la 40 mm.	Tăiați toate marginile crescute cu foarfeca înainte de a alimenta pâlnia de alimentare.
Creșteri de răsaduri de plante, iarbă și arbuști.	Desprindeți bulgării de pământ și pietrele de pe rădăcini pentru a nu deteriora lamele.
Frunziș proaspăt tăiat, gard viu, deșeuri casnice (de ex. frunze de varză, coji de legume etc.)	Cu orice material având un conținut ridicat de umiditate este recomandabil să alimentați câteva bețe uscate la intervale regulate pentru a ajuta materialul să fie împins prin ansamblul de tăiere și pentru a preveni înfundarea lui.
Bețe uscate și nuiele	Prin introducerea la capătul operațiunii de tocare, va ajuta la eliminarea umezelii și a sevei plantelor din interiorul produsului și ansamblului de tăiere.

- Nu permiteți să se acumuleze deșeuri din grădină înainte de a le toca întrucât va începe să se transforme în compost, va deveni prea umed și va înfunda mecanismul de tăiere. Materialul

uscat va ajuta mare parte din material să curețe jgheabul de evacuare. Salvați câteva bețe uscate până la final pentru a curăța zona lamei.

- Urmăriți frecvent depozitarea materialului tocat.
- Atunci când cutia de colectare este plină, opriti produsul înainte de a o goli.
- Atunci când alimentați ramuri/tulpini lemnoase lungi în produs fiți atent la mișcările bruște și la vibrații pe măsură ce sunt prinse de cuțite. Operatorul trebuie să poarte protecție pentru ochi oricând folosiți produsul.
- Dispozitivul de tăiere are tendința să tragă ramurile/tulpinile în produs. Nu încercați să împiedicați intrarea materialului care va fi tăiat odată ce alimentarea materialului a început. Purtați întotdeauna mănuși pentru a preveni sfâșierea pielii când alimentați materialul în produs.
- În timpul utilizării normale, nu opriti produsul până când tot materialul mărunțit nu a ieșit din dispozitivul de tăiere. Dacă produsul este oprit prea devreme, bucățile rămase de material pot să blocheze ansamblul de cuțite și să oprească motorul atunci când reporniți produsul.

## TRANSPORTAREA ȘI DEPOZITAREA

- Opriti echipamentul, scoateți acumulatorul și lăsați să se răcească atât echipamentul cât și acumulatorul înainte de transport sau depozitare.
- Asigurați-vă că produsul a fost curățat complet înainte de a-l depozita într-un loc curat, uscat și ferit de copii.
- Pentru transportare, fixați produsul să nu se miște sau cadă pentru a preveni vătămarea persoanelor sau deteriorarea produsului.

## TRANSPORTAREA BATERIILOR DE LITIU.

Transportați bateriile în conformitate cu prevederile și reglementările locale și naționale.

Urmați toate cerințele speciale privind împachetarea și etichetarea atunci când transportați baterii către un terț. Asigurați-vă că nicio baterie nu poate să intre în contact cu alte baterii sau materiale conductive în timpul transportului prin protejarea conectorilor expuși cu bandă, capace izolatoare neconductive. Nu transportați bateriile ce sunt crăpate sau care au scurgeri. Verificați cu firma transportatoare pentru recomandări ulterioare.

## AVERTISMENTE SUPPLEMENTARE PRIVIND SIGURANȚA LA UTILIZAREA BATERIILOR

- Pentru a reduce riscurile de incendiu, accidentare și deteriorare a produsului în urma unui scurtcircuit, nu scufundați niciodată produsul, acumulatorul sau încărcătorul în lichide și nici nu permiteți pătrunderea lichidelor în interiorul acestora. Lichidele corosive sau cu conductibilitate, precum apa sărată, anumite substanțe chimice și înălbitori sau produse ce conțin înălbitori, pot provoca un scurtcircuit.
- Încărcați acumulatorul într-un loc unde temperatura ambientală este între 10°C și 38°C.
- Depozitați acumulatorul într-un loc unde temperatura ambientală este între 0°C și 20°C.
- Utilizați acumulatorul într-un loc unde temperatura ambientală este între 0°C și 40°C.

## ÎNȚREȚINERE

- Folosiți doar piese de schimb, accesorii și atasamente originale ale producătorului. Neurmarea acestora poate cauza posibilă vătămare, slaba funcționare și ar putea anula garanția.
- Înainte de a curăța, inspecta sau efectua reparații asupra produsului, opriți-l, lăsați dispozitivele de tăiere să se oprească complet și scoateți acumulatorul. După un anumit timp de tocare, mecanismul de tăiere va deveni fierbinte. Permiteți-i să se răcească înainte de a efectua lucrări de curățare, inspecție sau reglare.
- Lamele cuțitelor sunt extrem de ascuțite. Pentru a evita vătămarea, acordați maximă atenție atunci când curățați sau lucrați în jurul lamelor sau în interiorul incintei deschise atunci când este îndepărtată cutia de colectare. Purtați întotdeauna mănuși de protecție rezistente.
- Fiți conștient că mijloacele de tăiere pot fi totuși mișcate chiar dacă este oprită alimentarea sau dacă este activat întrerupătorul de blocare.
- Pentru a asigura funcționarea optimă a produsului, el trebuie menținut curat.
- Întotdeauna curățați imediat produsul după folosire. Oricând e posibil, folosiți o perie tare în interiorul jgheabului de alimentare și evacuare și o cârpă uscată pentru exteriorul produsului.

- Nu lăsați ca resturi de material să se usuce și să se întărească pe suprafața produsului, dar mai ales pe cuțite. Acest lucru va afecta direct performanța de tocare.
- Asigurați-vă că pâlnia de alimentare și jgheabul de evacuare sunt menținute curate și libere de orice resturi de materiale.
- Asigurați-vă că toate piulițele, bolțurile și șuruburile (cu excepția șurubului de reglare) sunt strânse și sigure.
- Întotdeauna lăsați personalul calificat al unui centru de service autorizat să repare sau înlocuiască orice piese deteriorate sau uzate.
- Nu încercați niciodată să ocoliți comutatoarele de blocare de pe cutia de colectare sau capacul frontal al ansamblului de tăiere.
- Nu lăsați deloc lichidul de frână, benzina, produsele pe bază de petrol, uleiurile penetrante etc., să intre în contact cu piesele din plastic. Nu utilizați niciodată fluid de frână, benzină, produse pe bază de petrol sau alți solvenți pentru a curăța produsul. Majoritatea pieselor din plastic sunt susceptibile să se deterioreze de la tipurile diferite de solvenți comerciali și pot fi deteriorate.
- Puteți efectua întreținerea așa cum este descrisă în acest manual. Pentru alte reparații, produsul trebuie prezentat numai unui centru de service autorizat.

## AJUSTAREA PLĂCUȚEI DE ZDROBIRE

- Dacă produsul nu mărunțește materialul, este posibil ca placa de zdrobire să trebuiască să fie ajustată sau ca lamele să fie ascuțite.
- Din când în când, trebuie ajustată placa de zdrobire a produsului. Acest lucru se poate face ajustând placa în așa fel încât să vină în contact ușor cu lamele. Asigurați-vă că produsul este pornit și că operează în direcția normală, înainte.
- Reglarea plăcuței de zdrobire în timp ce motorul este oprit ar putea avea ca rezultat deteriorarea serioasă a produsului.

**NOTĂ:** Reglarea plăcii de zdrobire trebuie efectuată numai când se consideră absolut necesar. Reglarea plăcuței de zdrobire prea des sau prea mult poate avea ca rezultat defectarea produsului.

1. În timp ce produsul este în funcțiune, rotiți butonul de reglare în sensul acelor de ceasornic.

2. Când auziți sunet de contact cu metal sau vedeți resturi fine de aluminiu tocat în recipientul de colectare a tocăturilor, opriți ajustarea și lăsați produsul să funcționeze timp de 30 de secunde. Apoi rotiți butonul de reglare în sens invers acelor de ceasornic, o jumătate de tură sau o tură completă (0,5-1,0), până când nu mai vine în contact cu plăcuța de zdrobire, lăsând un spațiu de 1 mm.

**NOTĂ:** Finalizați încet orice reglare pentru a evita deteriorarea produsului. Suprareglarea plăcii poate cauza deteriorare serioasă a produsului.

### REGLAREA PLĂCUȚEI DE ZDROBIRE CU AJUTORULUI MÔDULUI DE CALIBRARE

**NOTĂ:** Asigurați-vă că produsul este oprit.

1. Când produsul este oprit, apăsați butonul modului de calibrare, iar apoi apăsați butonul de pornire. Lama va începe calibrarea.
2. Rotiți butonul de reglare a plăcii de zdrobire în sensul acelor de ceasornic până când produsul se oprește.

**NOTĂ:** Rotiți butonul în sens invers acelor de ceasornic 0,5 – 1,0 tură, până când placa de zdrobire și lamele nu mai sunt în contact.

3. Apăsați butonul de pornire pentru a reintroduce materialul în produs.

### CUNOAȘTEȚI-VĂ PRODUSUL

Vezi pagina 185.

1. Fanta pentru baterie
2. Buton marșarier
3. Buton mod calibrare
4. Buton stop
5. Jgheab de alimentare
6. Butonul de pornire
7. Ușă acumulator
8. Buton reglare placă de zdrobire
9. Buton desfacere cadru metalic
10. Cadru de metal
11. Element de blocare
12. Ax
13. Piston material
14. Roată
15. Pinion de despicare
16. Șaibă
17. Capac butuc
18. Manualul de operare
19. cheie Torx
20. Coș de colectare
21. Acumulator
22. Încărcător

### SIMBOLURILE DE PE PRODUS.



Citiți și înțelegeți toate instrucțiunile înainte de a utiliza produsul. Respectați toate avertismentele și instrucțiunile de siguranță.



Feriți-vă de obiecte proiectate sau în zbor. Țineți toți trecătorii, în special copiii și animalele de companie la cel puțin 15 metri de zona de operare.



Avertisment! Scoateți acumulatorul înainte de efectuarea lucrărilor de mentenanță, reglare și curățare.



Pericol! Lame rotative Țineți mâinile și picioarele în afara deschizăturilor cât timp produsul este în funcțiune.



Purtați protecție pentru ochi și urechi.



Nu îl folosiți ca și treaptă.



Așteptați până când piesele tocătorului s-au oprit complet înainte de a le atinge.



Nivel garantat al puterii acustice



Purtați mănuși care nu alunecă, de protecție la sarcinile dificile.



Când aparatul este oprit, iar jgheabul curat, apăsați butonul de calibrare pentru a începe calibrarea lamei.



Apăsați pentru a începe și apăsați din nou pentru a schimba vitezele.



Țineți apăsat butonul pentru a acționa produsul în sens invers.



Marcajul european de conformitate



Marcajul britanic de conformitate



Marcaj de conformitate EurAsian



Marcajul ucrainian de conformitate



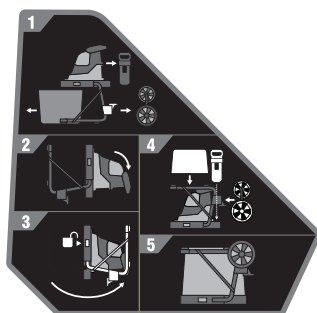
Mod calibrare



Suprasarcină



Coșul de colectare nu este inserat



1. Scoateți axul roții, recipientul de colectare și pistonul.
2. Așezați produsul jos cu mânerul coborât.
3. Apăsați butonul de desfacere a cadrului metalic și pliați picioarele până se blochează pe poziție.
4. Așezați axul roții, recipientul de colectare și pistonul în pozițiile corespunzătoare de păstrare.
5. Depozitați produsul într-o zonă răcoroasă, uscată și bine ventilată.

A nu se arunca deșeurile de echipamente electronice și electrice și bateriile epuizate la gunoierul menajer. Deșeurile formate din echipamente electrice și electronice și bateriile epuizate trebuie colectate separat. Sursele de iluminare, bateriile și acumulatorii epuizați trebuie scoase din aceste echipamente. Solicitați consiliere de la autoritatea dvs. locală sau de la comerciantul de unde ați achiziționat aspiratorul, în privința punctului de colectare. Conform reglementărilor naționale, vânzătorii cu amănuntul au obligația de a colecta bateriile epuizate, deșeurile de echipament electric și electronic, gratuit. Contribuția dvs. la reciclarea și reutilizarea bateriilor, a echipamentelor electrice și electronice ajută la reducerea cererii de materii prime. Bateriile epuizate, în special cele cu litiu, deșeurile formate din echipamente electrice și electronice conțin materiale reciclabile valoroase, care pot avea o influență negativă asupra mediului înconjurător și asupra sănătății umane, dacă nu sunt eliminate într-o manieră ecologică. Ștergeți datele personale din echipamentul deșeu, dacă este cazul.



#### SIMBOLURI DIN ACEST MANUAL



Piese sau accesorii vândute separat



Notă



Avertisment



Piedică



Deblocare

## REMEDIEREA DEFECTIUNILOR

PROBLEMĂ	CAUZA	AȚIUNE
Nu funcționează motorul.	Supraîncărcarea la temperatură	Lăsați produsul să se răcească timp de 15 minute. Acest lucru are loc când temperatura ambientală este ridicată, iar produsul a fost folosit încontinuu, fără pauză.
	Acumulator	Asigurați-vă că acumulatorul este complet încărcat, că nu are semne de pătrundere a apei și că nu este deteriorat. Testați acumulatorul cu o altă unealtă, pentru a vă asigura că funcționează corect.
	Coș de colectare	Introduceți recipientul de colectare în funcție de etichetele de pe părțile laterale ale recipientului de colectare și asigurați-vă că este împins la maxim și că sistemul frontal de blocare s-a activat.
În jgheab nu este pus material.	Plăcuța de acoperire lamă	Asigurați-vă că toate cele 4 șuruburi care fixează plăcuța de acoperire a lamei sunt fixate bine.
	Materialul s-a blocat în pâlnia de alimentare.	Urmați instrucțiunile din manual pentru eliberarea obstrucțiilor.
	Plăcuța de zdrobire este prea departe de lama de tăiere.	Urmați instrucțiunile din manual cu privire la tensionarea plăcuței de zdrobire.

Radot jūsu akumulatoru smalcinātāju, drošībai, veiktspējai un uzticamībai ir pievērsta vislielākā vērība.

## PAREDŽĒTAIS LIETOJUMS

Akumulatoru smalcinātājs ir paredzēts tādu organisko dārza atkritumu samazināšanai kā zariem, lapām un saknēm.

Produkts ir paredzēts izmantošanai ārpus telpām, nekustīgā stāvoklī, lietotājam stāvēt uz zemes.

Produkts nav paredzēts neorganiskiem materiāliem, metāliem vai materiāliem, kas pārsniedz tā maksimālo smalcināšanas spēju.

Izstrādājums jāuzstāda uz komplektā iekļautā statīva un jāizmanto ar komplektā iekļauto savākšanas kārbu. To drīkst uzstādīt tikai šajā rokasgrāmatā parādītajā veidā.

Nelietojiet citiem mērķiem.

## VISPĀRĪGIE DROŠĪBAS BRĪDINĀJUMI

**⚠ BRĪDINĀJUMS!** Ierīce nav paredzēta bērniem vai cilvēkiem ar samazinātām fiziskām, garīgām spējām vai maņu kustību traucējumiem. Personai, kas nav lietotājs, vienmēr ir jāuzrauga mazi bērni, lai nodrošinātu, ka tie nespēlējas pie vai ar precī.

**⚠ BRĪDINĀJUMS!** Izmantojot izstrādājumu, jāievēro pamata drošības pasākumi, lai mazinātu aizdegšanās, elektrošoka un traumu risku. Uzmanīgi izlasiet visas šīs drošības instrukcijas, pirms darbināt precī. Iepazīstieties ar ierīces vadīšanu un pareizu lietošanu. Lūdzu, glabājiet noteikumus drošā vietā vēlākai izmantošanai.

## APMĀCĪBA

- Iepazīstieties ar norādēm, pirms sākt lietot izstrādājumu.
- Nekad neļaujiet bērniem vai personām, kas nav iepazīnušās ar instrukcijām, izmantot precī. Vietējie noteikumi var ierobežot lietotāja vecumu.
- Produkta operators vai lietotājs ir atbildīgs par nelaimes gadījumiem vai briesmām citiem cilvēkiem vai to ģimībam.

## SAGATAVOŠANA

- Nekad nelietojiet iekārtu, kamēr tuvumā atrodas cilvēki, it īpaši bērni, vai dzīvnieki.
- Neizmantojiet produktu sliktos laika apstākļos, it īpaši, pastāvot zibens riskam.

Visu laiku, kamēr lietojat produktu, valkājiet dzirdes aizsarglīdzekļus un aizsargbrilles.

- Izmantojot ierīci, vienmēr lietojiet atbilstošus apavus un garās bikses. Neestrādājiet ar iekārtu, ja jums ir basas kājas vai vaļējas sandales. Nevelciet vaļīgu apģērbu vai apģērbu ar auklām un lentēm.
- Lietojiet produktu tikai atklātā vietā (piemēram, atstatu no sienām vai nekustīgiem priekšmetiem) un uz stabilas, līdzenas virsmas.
- Nelietojiet ierīci uz bruģētām vai grantētām virsmām, kur lidojoši priekšmeti var radīt ievainojumus.
- Pirms izstrādājuma ieslēgšanas pārbaudiet, vai visas skrūves, uzgriežņi, bultskrūves un citi stiprinājumu elementi ir pareizi nodrošināti un vai aizsargi un savākšanas kaste ir vietā. Nogādājiet produktu pilnvarotā servisa centrā, lai nomainītu bojātas daļas vai nesalasāmas etiķetes.

## AKUMULATORU INSTRUMENTA LIETOŠANA UN APRŪPE

- Uzlādējiet tikai ar ražotāja noteikto lādētāju. Lādētājs, kas ir piemērots viena veida akumulatoru blokam, var radīt risku, ja tiek izmantots citam akumulatoru blokam.
- Lietojiet elektriskos instrumentus tikai ar konkrētajai ierīcei paredzēto akumulatoru. Jebkura cita akumulatora lietošana var radīt ievainojumu un ugunsgrēka risku.
- Kad nelietojat akumulatoru, neturiet to citu metāla priekšmetu tuvumā, piemēram: papīra saspurdes, monētas, atslēgas, naglas, skrūves vai citi sīki metāla priekšmeti, kas var veidot savienojumu starp spailēm. Akumulatora spailu īsslēgums var radīt aizdegšanos vai ugunsgrēku.
- Nepareizas rīcības gadījumā no akumulatora var izkļūt šķidrums; izvairieties no saskares ar to. Nejaušas saskares gadījumā skalojiet skarto vietu ar ūdeni. Ja šķidrums iekļūst acīs, nekavējoties meklējiet medicīnisko palīdzību. No akumulatora izkļuvušais šķidrums var izraisīt kairinājumu vai apdegumus.
- Neizmantojiet akumulatoru bloku, kas ir bojāts vai pārveidots. Bojāts vai pārveidots akumulatoru bloks var izraisīt neparedzamu darbību, kas var izraisīt uzliesmošanu, sprādzienu vai ievainojumu risku.





- Nepakļaujiet akumulatoru bloku vai instrumentu liesmu vai paaugstinātas temperatūras iedarbībai. Pakļaujot liesmām vai temperatūrai virs 130°C var izraisīt sprādzienu.
- Ievērojiet visas lādēšanas instrukcijas un nelādējiet akumulatoru bloku vai instrumentu, ja temperatūra ir ārpus diapazona, kas norādīts instrukcijās. Nepareiza lādēšana vai lādēšana temperatūrā, kas ir ārpus norādītā diapazona, var izraisīt akumulatora bojājumus un palielināt uzliesmošanas risku.
- Ja griešanas mehānisms atsitās pret jebkādu svešķermeni vai izstrādājums sāk radīt jebkādas neparastas skaņas vai vibrāciju, izslēdziet produktu un ļaujiet griežņiem pilnībā apstāties. Noņemiet akumulatoru. Veiciet šādas darbības:
  - Rūpīgi pārbaudiet produktu, vai tam nav bojājumu.
  - Pārbaudiet un pievelciet jebkuras vaļīgās produkta daļas.
  - nomainiet vai salabojiet bojātās daļas

## APKOPE

- Vai jūsu elektroinstrumentu apkalpo kvalificēts personāls, izmantojot tikai identiskas rezerves daļas. Tas nodrošinās elektroinstrumenta drošības saglabāšanu.
- Nekad neveiciet bojātu akumulatoru bloku remontu. Akumulatoru bloku remontu drīkst veikt tikai ražotājs vai pilnvarots servisa nodrošinātājs.

## AKUMULATORU SMALCINĀTĀJA DROŠĪBAS NORĀDES

- Uzstādot produktu lietošanai, nodrošiniet, ka tas tiek nostiprināts tā, lai nevarētu apgāzties. Ja produkts tiek izslēgts pārāk ātri, atlikušie materiāla gabali var nosprostot griežņu mezglu un nobremzēt motoru, kad produkts tiek atkal ieslēgts.
- Pirms produkta iedarbināšanas ieskatieties padeves kamerā, lai pārliecinātos, ka tā ir tukša.
- Netuviniet seju un ķermeni padeves atverei.
- Nepieļaujiet roku vai citu ķermeņa daļu, kā arī apģērba iekļūšanu padeves kamerā, izlādes kamerā vai kustīgu detaļu tuvumā.
- Vienmēr saglabājiet stabilu stāvokli. Pārliecinieties par stingru pamatu zem kājām un ķermeņa līdzsvaru. Nepersitempkite. Veicot materiāla ievietošanu, nekad nestāviet uz virsmas, kas augstāka par produkta pamatni. Ejiet, nekādā gadījumā neskrieniet.
- Lietojot produktu vienmēr stāviet sāņus no produkta izmešanas atveres zonas.
- Ievietojot materiālu produktā, esiet īpaši uzmanīgi, lai tas nesaturētu metāla daļas, akmeņus pudeles, skārdenes vai citus svešķermeņus.
- Ja griešanas mehānisms atsitās pret jebkādu svešķermeni vai izstrādājums sāk radīt jebkādas neparastas skaņas vai vibrāciju, izslēdziet produktu un ļaujiet griežņiem pilnībā apstāties. Noņemiet akumulatoru. Veiciet šādas darbības:
  - Rūpīgi pārbaudiet produktu, vai tam nav bojājumu.
  - Pārbaudiet un pievelciet jebkuras vaļīgās produkta daļas.
  - nomainiet vai salabojiet bojātās daļas
- Neļaujiet apstrādātajam materiālam uzkrāties izvadā, jo tas var traucēt pareizai izvadi, kā arī izraisīt nosprostojumus vai materiāla atsitienu caur padeves ieejas atvērumu.
- Ja produkts nosprostojas, izslēdziet produktu un ļaujiet griežņiem pilnībā apstāties. Izņemiet akumulatoru bloku pirms grūžu tīrīšanas.
- Nekad nerīkojieties ar izstrādājumu, ja aizsargi, pārsegi, savākšanas kārba vai citas aizsargierīces ir bojātas, nav vietā vai nav labā darba kārtībā.
- Nepārvietojiet vai nepārvadājiet produktu, kamēr motors darbojas.
- Izslēdziet un noņemiet akumulatora bloku. Pārliecinieties, ka visas kustīgās daļas ir pilnīgi apstājušās:
  - pirms atstāt izstrādājumu bez uzraudzības
  - pirms nosprostojumu tīrīšanas
  - pirms iekārtas pārbaudes, tīrīšanas vai labošanas
- Nenolieciet produktu uz sāniem, kamēr tas darbojas.
- Ilgstoša preces lietošana var radīt ievainojumus vai pasliktināt jau esošos. Izmantojot produktu ilgāku laika posmu, nodrošiniet, ka tiek ņemti regulāri pārtraukumi.
- Nepārveidojiet ierīci un nelietojiet detaļas un aksesuārus, kurus nav ieteicies ražotājs. Tas var palielināt smagu ievainojumu risku jums vai citiem.
- Vienmēr nodrošiniet, ka ventilācijas atveres tiek uzturētas tīras no gružiem. Motors var pārkarst, radot iespējamus produkta bojājumus vai palielinot aizdegšanās risku.
- Pirms savākšanas kārbas uzstādīšanas vai noņemšanas izslēdziet izstrādājumu.

EN

FR

DE

ES

IT

NL

PT

DA

SV

FI

NO

RU

PL

CS

HU

RO

LV

LT

HR

SL

SK

BG

UK

TR



- Negadījumu vai saplīšanas gadījumā nekavējoties izslēdziet un noņemiet akumulatora bloku. Neizmantojiet izstrādājumu līdz tas nav pilnībā pārbaudīts pilnvarotā servisa centrā.

## SMALCINĀŠANAS VADOTNE

Lai smalcinot gūtu optimālus rezultātus, ievērojiet nākamajā tabulā ietvertās norādes.

MATERIĀLS	SMALCINĀŠANAS METODE
-----------	----------------------

Zari līdz 40 mm diametrā.

Pirms ievietošanas padeves piltuvē, apgrieziet visas sānu atvases ar dārza šķērēm.

Dobes augi, nezāles un krūmi

Nokratiet no saknēm augsni un akmeņus, lai nesabojātu asmeņus.

Nesen griezta lapotne, dzīvžogs un virtuves atkritumi (piemēram, kāpostlapas, dārzenų mizas)

Kopā ar jebkuru materiālu, kuram ir augsts mitruma saturs, ieteicams regulāri ievietot dažus sausākus zarus, lai palīdzētu materiālu izbīdīt caur griešanas bloku un novērstu nosprostošanos.

Sausi zari un žagari

Smalcinot tos kā pēdējos, tie savāks lieko mitrumu un augu sulu iekārtas iekšienē un no cērtošās daļas.

- Neļaujiet dārza atkritumiem uzkrāties pirms smalcināšanas, jo sāk veidot kompostu, kļūst pārāk mitri un piesārņo griešanas bloku. Sausa materiāls palīdzēs iztīrīt no izgrūšanas teknes lielāko daļu materiāla. Dažus sausus kociņus saglabājiet līdz beigām, lai atvieglotu asmeņu zonas tīrīšanu.
- Regulāri novērojiet sasmalcinātā materiāla uzkrāšanos.
- Kad savākšanas kārba ir pilna, pirms iztukšošanas izslēdziet izstrādājumu.

- Ievietojot izstrādājumā garus koku zarus/kātus, uzmanieties no sitieniem un vibrācijām, kad grieznis tos satver. Lietotājam darbā ar šo iekārtu jāizmanto aizsargbrilles.
- Griešanas ierīcei ir tendence ievilk izstrādājumā zarus/kātus. Nemēģiniet ierobežot griežamā materiāla ievadīšanu, kad ir sāka padeve. Ievadot smalcināmo materiālu iekārtā, vienmēr izmantojiet cimdus ādas aizsardzībai.
- Normālos lietošanas apstākļos neizslēdziet produktu, līdz viss sasmalcinātais materiāls nav izmests no griežņu mezglā. Ja produkts tiek izslēgts pārāk ātri, atlikušie materiāla gabali var nosprostot griežņu mezglu un nobremzēt motoru, kad produkts tiek atkal ieslēgts.

## TRANSPORTĒŠANA UN UZGLABĀŠANA

- Pirms produkta novietošanas glabāšanai vai transportēšanas, izslēdziet to, noņemiet akumulatoru bloku un ļaujiet tiem atdzist.
- Izstrādājumu glabājiet tīrā, sausā un bērniem nepieejamā vietā, pirms tam to rūpīgi notīrot.
- Transportējot, nostipriniet precī, lai tā nekustētos vai nenokristu, lai novērstu personu savainojumus vai bojājumus precei.

## LITIJA BATERIJU TRANSPORTĒŠANA

Transportējiet baterijas saskaņā ar vietējiem un valsts noteikumiem un regulām.

Ievērojiet visas īpašās prasības saistībā ar iepakojšanu un marķēšanu, transportējot trešās puses baterijas. Nodrošiniet, ka baterijas transportā nevar nonākt saskarē ar citām baterijām vai vadītspējīgiem materiāliem, aizsargājot atklātos savienotājus ar nevadošiem izolācijas vāciņiem vai lentēm. Netransportējiet iekļūkušas baterijas vai baterijas, kurām ir noplūde. Lūdziet padomu kravu pārvadāšanas uzņēmumam.

## PAPILDU AKUMULATORU BLOKA DROŠĪBAS BRĪDINĀJUMI

- Lai samazinātu aizdegšanās, ievainojumu un produkta bojājumu risku, kas radies īssavienojuma rezultātā, nekad neiemērciet produktu, akumulatoru bloku vai lādētāju šķidrumā vai nepieļaujiet šķidruma ieplūšanu

tajos. Koroziju izraisīši vai vadītspējīgi šķīdumi, piemēram, sālsūdens, noteiktas ķīmikālijas, balinātāji vai produkti, kas satur balinātājus, var izraisīt īssavienojumu.

- Veiciet akumulatora bloka nomainīu vietā, kur temperatūra ir starp 10°C un 38°C.
- Glabājiet akumulatoru bloku vietā, kurā apkārtējās vides temperatūra ir starp 0°C un 20°C.
- Izmantojiet akumulatoru bloku vietā, kurā apkārtējās vides temperatūra ir starp 0°C un 40°C.

## APKOPE

- Lietojiet tikai oriģinālās ražotāja rezerves daļas, piederumus un uzgaļus. Pretējā gadījumā var tikt radīti ievainojumi un parādīts slikts sniegums, kā arī var tikt anulēta garantija.
- Pirms produkta pārbaudes, tīrīšanas vai apkopes izslēdziet motoru un ļaujiet griežņiem pilnībā apstāties un izņemiet akumulatoru bloku. Smalcināšanas laikā cērtošais mehānisms kļūst karsts. Ļaujiet tam atdzist pirms tīrīšanas, pārbaudes vai regulēšanas.
- Cērtošie asmeņi ir ļoti asi. Lai izvairītos no traumām, rīkojieties ārkārtīgi uzmanīgi un rūpīgi, veicot tīrīšanu vai arī darbojoties asmeņu tuvumā vai atvērtā korpusā, kad savākšanas kārba ir noņemta. Vienmēr velciet lielai slodzei paredzētus aizsargcimdus.
- Atcerieties, ka griezējinstrumenti joprojām var pārvietoties pat tad, ja strāva ir izslēgta vai ir ieslēgts bloķēšanas slēdzis.
- Lai izstrādājumam nodrošinātu labāko sniegumu, tas jāuztur tīrs.
- Vienmēr tūlīt pēc lietošanas iztīriet izstrādājumu. Kur vien iespējams, izmantojiet cietu suku, tīrot ievadatveres un izvadatveres, un sausu drānu iekārtas ārpusē.
- Neļaujiet materiālam izkalst un sacietēt ne uz vienas no produkta virsmā, bet jo īpaši uz asmeņiem. Tas tieši ietekmēs smalcināšanas sniegumu.
- Pārliecinieties, ka ievadpiltuve un izsviedējs tiek uzturēti tīri un brīvi no visiem atkritumiem.
- Pārliecinieties, ka visi uzgriežņi, bultskrūves un skrūves (izņemot regulēšanas skrūvi) ir kārtīgi novilkta.

- Bojātās vai nodilušās daļas vienmēr uzticiet labot vai aizvietot kvalificētiem darbiniekiem autorizētā servisa centrā.
- Nekad nemēģiniet apiet bloķēšanas slēdzus uz savākšanas kārbas vai griežņu bloka priekšējā pārsega.
- Neļaujiet bremžu šķidrumam, benzīnam, naftas produktiem, smērvielām u.c. saskarties ar plastmasas detaļām. Produkta tīrīšanai nekad neizmantojiet bremžu šķidrumus, benzīnu, naftas bāzes produktus vai jebkādus šķīdinātājus. Komerciniai tirpikļai lengvai pažeidžia daugelį plastikinių dalių paviršių ir gali jas apgadinti.
- Jūs varat veikt šajā rokasgrāmatā aprakstītos apkopes darbus. Citiem produkta remontiem nogādājiet produktu apkopei pilnvarotā servisa centrā.

## SMALCINĀŠANAS PLĀKSNES REGULĒŠANA

- Ja produkts nesasmalcina materiālu, var būt nepieciešama smalcināšanas plāksnes regulēšana vai asmeņi var būt jāasina.
- Laika gaitā produkta smalcināšanas plāksne ir jāregulē. To var izdarīt, regulējot smalcināšanas plāksni, lai tā nonāktu vieglā saskarē ar asmeņiem. Pārliecinieties, ka produkts ir ieslēgts un darbojas normālā virzienā uz priekšu.
- Smalcināšanas plāksnes regulēšana, motoram esot izslēgtam, var izraisīt produkta būtiskus bojājumus.

**PIEZĪME:** Smalcināšanas plāksnes regulēšanu drīkst veikt tikai tad, ja to uzskata par pilnīgi nepieciešamu. Apciršanas plāksnes regulēšana pārāk bieži vai pārāk tālu var izraisīt produkta apstāšanos.

1. Produktam strādājot, grieziet regulēšanas pogu pulksteņrādītāja virzienā.
2. Ja dzirdat metāliskas saskares skaņu vai smalcinātā materiāla tvērtņē redzat alumīnija skaidas, pārtrauciet regulēšanu un ļaujiet produktam darboties 30 sekundes. Tad pagrieziet regulēšanas pogu pret pulksteņrādītāja virzienā 0,5 līdz 1 apgriezienu, līdz tā vairs nesaskaras ar smalcināšanas plāksni, atstājot 1 mm atstarpi.

**PIEZĪME:** Visus regulējumus veiciet lēnām, lai izvairītos no preces sabojāšanas. Pārlicīga plāksnes regulēšana var radīt nopietnus preces bojājumus.

## SMALCINĀŠANAS PLĀKSNES REGULĒŠANA, IZMANTOJOT KALIBRĒŠANAS REŽĪMU

**PIEZĪME:** Pārliecinieties, ka produkts ir izslēgtā stāvoklī.

1. Kad produkts ir izslēgts, turiet nospiestu kalibrēšanas pogu un tad nospiediet ieslēgšanas pogu. Asmens sāks kalibrēšanu.
2. Grieziet smalcināšanas plāksnes regulēšanas pogu pulksteņrādītāja virzienā, līdz produkts izslēdzas.

**PIEZĪME:** Pagrieziet pogu pretī pulksteņrādītāja virzienam 0.5 līdz 1 apgriezīenu, līdz smalcināšanas plāksne un asmeņi vairs nesaskaras.

3. Nospiediet palaišanas pogu, lai atkārtoti ievadītu materiālu produktā.

## PAZĪSTIET SAVU IERĪCI

Skatīt 185. lappusi

1. Akumulatora ligzda
2. Reversa poga
3. Kalibrēšanas režīma poga
4. Apturēšanas poga
5. Padeves tekne
6. Palaišanas poga
7. Akumulatora nodalījuma durtiņas
8. Piespiešanas plāksnes regulēšanas poga
9. Metāla rāmja atbrīvošanas poga
10. Metāla rāmis
11. Fiksators
12. Ass
13. Materiālu bīdītājs
14. Ritenis
15. Šķeltā tapa
16. Paplāksne
17. Mezgla vāciņš
18. Lietotāja rokasgrāmata
19. Torx atslēga
20. Savākšanas tvertne
21. Akumulators
22. Lādētājs

## UZ PRECES ESOŠIE SIMBOLI



Izlasiet un izprotiet visas norādes pirms produkta lietošanas. Ievērojiet visus brīdinājumus un drošības norādes.



Sargieties no izmestiem vai lidojošiem priekšmetiem. Rūpējieties, lai visi tuvumā stāvošie, īpaši bērni un dzīvnieki atrastos vismaz 15 m attālumā no darba zonas



Brīdinājums! Atvienojiet akumulatoru bloku pirms veikta apkopi, regulēšanu un tīrīšanu.



Bīstami! Rotējošie asmeņi. Kamēr ierīce darbojas, turiet rokas un kājas prom no spraugām.



Lietojiet acu un ausu aizsargus.



Neizmantojiet kā pakāpienu.



Pirms pieskarties tām, nogaidiet, kamēr visas produkta daļas ir pilnīgi apstājušās.



Garantētais skaņas intensitātes līmenis



Nēsājiet neslīdošus, smagam darbam piemērotus aizsargcimdus.



Kad produkts ir izslēgts un atvērta ir tīra, nospiediet kalibrēšanas pogu, lai sāktu asmens kalibrēšanu.



Nospiediet, lai ieslēgtu un nospiediet vēlreiz, lai pārslēgtu ātrumu.



Turiet pogu nospiestu, lai darbinātu atpakaļgaitā.



Eiropas atbilstības zīme



Lielbritānijas atbilstības zīme



EurAsian atbilstības  
marķējums



Ukrainas atbilstības zīme



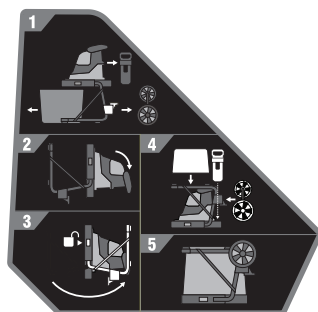
Kalibrēšanas režīms



Pārslodze



Savākšanas tvertne nav  
ievietota



1. Noņemiet ripas asi, tvertni un virzuli.
2. Novietojiet izstrādājumu uz zemes ar rokturiem lejup.
3. Nospiediet metāla rāmja atbrīvošanas pogu un atlieciet kājas, līdz tās nofiksējas vietā.
4. Ielieciet riteņu asi, tvertni un bīdīšanas ierīci to glabāšanas vietās.
5. Glabājiet produktu vēsā, sausā un labi vēdināmā vietā.



Neizmetiet akumulatoru atkritumus kā nešķirotus sadzīves atkritumus. Akumulatoru atkritumi, elektrisko un elektronisko iekārtu atkritumi jāsavāc atsevišķi. Bateriju, akumulatoru un gaismas avotu atkritumi ir jāizņem no iekārtām. Sazinieties ar vietējo pašvaldību vai mazumtirgotāju, lai saņemtu ieteikumus pārstrādei un savākšanas punktus. Saskaņā ar vietējiem noteikumiem mazumtirgotājiem var būt pienākums bez maksas pieņemt atpakaļ akumulatoru, elektrisko un elektronisko iekārtu atkritumus. Jūsu ieguldījums elektrisko un elektronisko iekārtu atkritumu otrreizējā izmantošanā un otrreizējā pārstrādē palīdz samazināt izejvielu pieprasījumu. Akumulatoru atkritumi, it īpaši tie, kas satur litiju, un elektrisko un elektronisko iekārtu atkritumi satur vērtīgus un pārstrādājamus materiālus, kas var nelabvēlīgi ietekmēt vidi un cilvēku veselību, ja tos neapglabā viedī draudzīgā veidā. Izdzēsiet no atkritumos nododamajām iekārtām personīgos datus, ja tādi tur ir.

## SIMBOLI ŠAJĀ ROKASGRĀMATĀ



Atsevišķi nopērkamās daļas  
vai piederumi



Piezīme



Brīdinājums



Bloķētājs



Atbloķēt

## GEDIMŪ NUSTATYMAS

GEDIMAS	IEMESLS	DARBĪBA
Motors nedarbojas.	Temperatūras pārslodze	Laujiet produktam 15 minūtes atdzist. Tas var notikt, ja apkārtējās vides temperatūra ir augsta un produkts ir pastāvīgi izmantots bez pārtraukuma.
	Akumulators	Pārbaudiet, vai akumulatoru bloks ir pilnīgi uzlādēts, vai tam nav ūdens ieplūšanas pazīmju un vai tas nav bojāts. Pārbaudiet akumulatoru citā instrumentā, lai pārliecinātos, ka tas darbojas pareizi.
	Savākšanas tvertne	Ievietojiet savākšanas tvertni, atbilstoši norādītajam etiķetēs uz tvertnes sāna, un nodrošiniet, ka tā ir pilnīgi ievietota ar priekšējo fiksētu priekšējo aizslēgu.
	Asmens aizsarga plāksne	Pārlicinieties, ka visas 4 skrūves, kas nostiprina asmens vāka plāksni, ir pilnīgi pievilktas.
Materiāls netiek ievilks padeves atverē.	Materiāls ir iestrēdzis padeves piltuvē.	Ievērojiet šī rokasgrāmatas instrukcijas, lai tīrītu aizsprostojumus.
	Saspiešanas plāksne ir pārāk tālu no griešanas asmens.	Izpildiet norādes rokasgrāmatā par saspiešanas plāksnes spriegošanu.

Kuriant šį akumuliatorinį smulkintuvą didžiausias dėmesys buvo skiriamas saugumui, našumui ir patikimumui.

## NAUDOJIMO PASKIRTIS

Akumuliatorinis smulkintuvas skirtas organinėms sodo atliekoms, pavyzdžiui šakoms, šakelės ir lapams, smulkinti.

Šis įrenginys skirtas stacionariam naudojimui lauke, naudotojui stovint ant žemės.

Šis įrenginys nėra skirtas neorganinėms medžiagoms, metalui ar medžiagoms, kurios viršija maksimalią leidžiamąją pjovimo gebą, smulkinti.

Įrenginys turi būti montuojamas ant pateikto stovo ir naudojamas su pateikta surinkimo dėže. Montuoti negalima kitaip, nei parodyta šiame vartotojo vadove.

Nenaudokite kitais tikslais.

## BENDRIEJI SAUGOS ĮSPĖJIMAI

**⚠ ĮSPĖJIMAS!** Šis įrenginys neskirtas naudoti vaikams arba asmenims, turintiems fizinį, jutiminių ar psichinių sutrikimų. Žmonės (ne operatorius) privalo nuolatos prižiūrėti, kad maži vaikai nežaistų netoli gaminio ar pačiu gaminiu.

**⚠ ĮSPĖJIMAS!** Naudojantis įrenginiu, reikia imtis pagrindinių apsaugos priemonių, siekiant sumažinti gaisro, elektros smūgio ir sužeidimo pavojų. Prieš pradėdant naudoti gaminį, reikia atidžiai perskaityti šiuos saugos nurodymus. Susipažinkite su valdikliais ir išnagrinėkite, kaip tinkamai naudotis įrenginiu. Išsaugokite šią instrukciją ateičiai.

## APMOKYMAS

- Perskaitykite visą naudojimo instrukciją, prieš bandydami naudotis gaminiu.
- Šio gaminio jokiū būdu negalima leisti naudoti vaikams ar asmenims, nesusipažinusiems su šiomis instrukcijomis. Vietos įstatymai gali apriboti įrengimo operatoriaus amžių.
- Už nelaimingus atsitikimus arba kitiems žmonėms ir jų nuosavybei padarytą žalą atsakingas pats įrenginio naudotojas arba jo savininkas.

## PARUOŠIMAS

- Niekada nenaudokite šio prietaiso šalia esant kitiems asmenims, gyvūnams, o ypač vaikams.

- Nesinaudokite įrenginiu prastomis oro sąlygomis, ypač, jei gali trenkti žaibas. Naudodamiesi įrenginiu, visada dėvėkite ausų apsaugos priemones ir apsauginius akinius.

- Naudodami įrenginį visada avėkite tvirtą avalynę ir dėvėkite ilgas kelnes. Nedirbkite su šiuo prietaisu neapsiaavę arba avėdami atvirus sandalus. Nedėvėkite laisvų drabužių arba drabužių su kabančiais raišteliais arba virvelėmis.

- Įrenginį naudokite tik atvirose vietose (pvz., atokiai nuo sienų ar fiksuotų objektų) ir stovėdami ant tvirto lygaus paviršiaus.

- Prietaiso nenaudokite ant grįstos ar žvyro dangos, kur išmestos medžiagos gali sukelti sužeidimus.

- Prieš užvesdami įrenginį, patikrinkite, ar visos veržlės, poveržlės, varžtai ir kiti fiksatoriai tinkami priveržti bei uždėti apsaugai ir surinkimo dėžė. Jei reikia pakeisti sugadintas dalis ar neįskaitomus lipdukus, pristatykite įrenginį į įgaliotąjį techninės priežiūros centrą.

## AKUMULIATORINIO ĮRANKIO NAUDOJIMAS IR PRIEŽIŪRA

- Pakartotinai kraukite prietaisą tik naudodami gamintojo nurodytą kroviklį. Įkroviklis, tinkamas vieno tipo akumuliatoriui, gali kelti pavojų, naudojant jį kito tipo akumuliatoriui įkrauti.

- Elektrinius įrankius naudokite tik su jiems skirtais baterijų paketais. Naudojant kitokius akumuliatorius, galima susižeisti ar sukelti gaisrą.

- Kai akumuliatorius nenaudojamas, jį laikykite toliau nuo kitų metalinių daiktų, pavyzdžiui, sąvaržėlių, monetų, raktų, vinių, varžtų ar kitų mažų metalinių daiktų, kurie vieną gnybtą gali sujungti su kitu. Sutrupinus vieną akumuliatoriaus gnybtą su kitu, galima nusidėginti arba sukelti gaisrą.

- Netinkamomis sąlygomis iš akumuliatoriaus gali ištekėti skystis - nelieskite jo. Jei atsitiktinai prisilietėte - nuplaukite vandeniu. Jei skysčio pateko į akis, nedelsiant kreipkitės į gydytoją. Iš akumuliatoriaus ištekėjęs skystis gali nudeginti ar sukelti sudirginimus.

- Nenaudokite akumuliatorių bloko ar įrankio, kuris yra sugadintas arba pakeistas. Sugadinti arba pakeisti akumuliatoriai gali veikti neprognozuojamai ir dėl to gali kilti gaisras, sprogdymas arba pavojus susižaloti.

EN

FR

DE

ES

IT

NL

PT

DA

SV

FI

NO

RU

PL

CS

HU

RO

LV

LT

ET

HR

SL

SK

BG

UK

TR

- Saugokite akumuliatorių nuo ugnies ir pernelyg aukštos temperatūros. Patekus į ugnį arba veikiant aukštesnei nei 130 °C temperatūrai gali kilti sprogimas.
- Laikykitės visų įkrovimo nurodymų ir neįkraukite akumuliatoriaus ar įrankio, jei aplinkos temperatūra viršija instrukcijoje nurodytas ribas. Netinkamai įkraunant arba jei temperatūra yra už nurodyto diapazono ribų gali būti sugadinti akumuliatoriai ir padidėti gaisro pavojus.

## TECHNINIS APTARNAVIMAS

- Elektrinį įrankį turi remontuoti tik kvalifikuoti darbuotojai, kurie naudoja identiškas atsargines dalis. Tai užtikrina elektrinio įrankio saugumą.
- Niekada neremontuokite pažeistų akumuliatorių. Akumuliatorius remontuoti gali tik jo gamintojai arba įgaliotieji techninės priežiūros paslaugų teikėjai.

### AKUMULIATORINIO SMULKINTUVO NAUDOJIMO SAUGOS TAISYKLĖS

- Ruošdami įrenginį naudojimui būtina tvirtai jį pastatykite, kad jis neapviršytų. Jei įrenginį išjungsite per greitai, kitą kartą įjungus įrenginį, likusios medžiagos dalelės gali užkimšti peilį ir variklis gali užgesti.
- Prieš įjungdami įrenginį, pažvelkite į tiekimo kamerą ir įsitikinkite, kad ji tuščia.
- Veidas ir kūnas turi būti toliau nuo padavimo įleidimo angos.
- Stebėkite, kad prie padavimo kameros, išmetimo latako ar kitų judančių detalių nepatektų rankos, ar kitos kūno dalys, arba drabužiai.
- Visada atkreipkite dėmesį į stabilią stovėseną. Visada tvirtai stovėkite ir išlaikykite pusiausvyrą. Nepersitempkite. Dėdami medžiagas į įrenginį, niekada nestovėkite aukščiau jo pagrindo. Visada eikite, niekada nebėkite.
- Naudodami įrenginį, visada stovėkite atokiai nuo išmetimo zonos.
- Dėdami medžiagas į įrenginį, būkite ypač atsargūs, kad jose nebūtų metalo laužo, akmenukų, butelių, skardinių ar kitų pašalinių daiktų.

- Jei smulkinimo mechanizmas kliudytų pašalinius objektus arba įrenginys pradėtų skleistis neįprastą garsą arba vibruoti, išjunkite įrenginį ir palaukite, kol pjovikliai visiškai sustos. Išimkite akumuliatorių. Atlikite šiuos veiksmus:
  - Patikrinkite įrenginį, ar jis nesugadintas.
  - Patikrinkite ir priveržkite visas atsilaisvinusias įrenginio dalis.
  - pakeiskite ar suremontuokite visas pažeistas dalis
- Neleiskite apdorotai medžiagai kauptis išmetimo latakais, nes tai gali trukdyti tinkamam išmetimui arba sudaryti kamštį, dėl ko medžiaga gali būti išmetama atgal per padavimo angą.
- Jei įrenginys užsikimšęs, išjunkite jį ir palaukite, kol pjovikliai visiškai sustos. Prieš šalindami nešvarumus, išimkite akumuliatorių.
- Niekuomet nedirbkite įrenginiu, jeigu apsaugai, gaubtai, surinkimo dėžė arba kiti apsaugos įtaisai apgadinti, nesumontuoti ir veikia netinkamai.
- Neperneškite ir netransportuokite įrenginio, kol jo variklis veikia.
- Išjunkite gaminį ir išimkite akumuliatorių. Patikrinkite, ar visos judančio dalys visiškai nustojo sukstis.
  - Prieš palikdami įrenginį be priežiūros
  - prieš pašalindami užsikimšimą
  - prieš tikrindami ar valydami prietaisą arba prieš pradėdami juo pjauti žolę;
- Nepaverskite įrenginio, kol jis veikia.
- Ilgiau naudojant, įrankis kelia sužeidimų pavojų ir apsunkina darbą. Naudodamiesi įrenginiu ilgesnį laiką, būtina darykite pertraukas.
- Niekada nemonifikuokite prietaiso ir nemontuokite dalių bei priedų, kurias naudoti nepataria gamintojas. Antraip gali padidėti sunkių susižalojimų ar kitų asmenų sužalojimo pavojus.
- Ventilacijos angos visada privalo būti švarios. Variklis gali perkaisti ir sugadinti įrenginį arba padidinti gaisro pavojų.
- Prieš įtaisydami arba nuimdami surinkimo dėžę, išjunkite įrenginį.
- Nelaimingo atsitikimo arba gedimo atveju nedelsdami išjunkite įrenginį ir išimkite akumuliatorių. Nenaudokite įrenginio tol, kol jis nebus išsamiai patikrintas įgaliotos techninės priežiūros centre.



**SMULKINIMO KREIPTUVAS**

Kad smulkindami gautumėte geriausius rezultatus, laikykitės toliau lentelėje pateiktų nurodymų.

**MEDŽIAGA SMULKINIMO BŪDAS**

Šakos iki 45 mm skersmens.

Prieš sudėdami į padavimo piltuvą, atžalas nukarpykite sodo žirkklėmis.

Gėlės, piktžolės ir krūmokšniai

Nuo šaknų nuvalykite akmenis ir žemes, kad nesugadintumėte geležčių.

Šviežiai nupjauti lapai, krūmai ir virtuvės atliekos (pvz., agurkų lapai, daržovių lupenos ir pan.)

Smulkinant labai drėgną medžiagą, patartina tam tikrais laiko tarpais paduoti kelias sausas šakeles, kad smulkinama medžiaga būtų stumiama per pjovimo mazgą ir jo neužkimštų.

Sausi stagarai ir šakelės

Juos įdėjus smulkinimo pabaigoje, iš gaminio bei pjovimo įtaisų išsivalys drėgmė ir augalų sultys bei sakai.

- Neleiskite sodo atliekoms kauptis iki smulkinimo, nes jos pradeda pūti, tampa pernelyg klampios ir užkemša pjaustymo mazgą. Sausa medžiaga padeda išstumti kitą medžiagą iš išmetimo latako. Pasilikite kelias sausas lazdeles iki darbo pabaigos, kad jomis galėtumėte išvalyti geležtės zoną.
- Dažnai stebėkite, ar neprisikaupė smulkinamų medžiagų.
- Kai surinkimo dėžė prisipildo, išjunkite įrenginį prieš ją ištuštinami.
- Paduodami ilgas medžio šakas arba stiebus į įrenginį, saugokitės jų plaikstymosi arba vibracijos, kai šiuos pagauna pjovimo įtaisai. Naudodamas gaminį, operatorius būtinai privalo dėvėti akių apsaugą.
- Pjovimo įtaisas traukia šakas ir stiebus į įrenginį. Prasidėjus padavimui, nebandykite stabdyti smulkinti paduodamos medžiagos. Įdedant medžiagą į gaminį, būtina mūvėti pirštines, kad nesusidraskytų oda.

- Įprastai naudodami įrenginį neišjunkite jo, kol pjoviklyje neliks jokios susmulkintos medžiagos. Jei įrenginį išjungsitė per greitai, kitą kartą įjungus įrenginį, likusios medžiagos dalelės gali užkimšti peilį ir variklis gali užgesti.

**GABENIMAS IR LAIKYMAS**

- Išjunkite įrankį, išimkite akumuliatorių ir palaukite, kol jie abu atvės, ir tik tada galėsite juos padėti saugojimo vietą arba transportuoti.
- Prieš padedant įrenginį laikyti švarioje, sausoje vietoje, būtina jį gerai nuvalyti ir apsaugoti, kad nepasiektų vaikai.
- Ruošiant gabenimui, gaminį reikia įtvirtinti, kad nejudėtų arba nenukristų, taip apsaugant žmones nuo sužeidimų ir gaminį nuo apgadinių.

**LIČIO BATERIJŲ TRANSPORTAVIMAS**

Akumuliatorių gabenkite pagal vietinius ir šalies reikalavimus bei nuostatas.

Akumuliatorius gabenant trečiajai šaliai būtina laikytis visų specialių reikalavimų, nurodytų pakuotėse ir etiketėse. Užtikrinkite, kad gabenimo metu nei vienas akumuliatorius nesiliesų si kitais akumuliatoriais arba laidžiosiomis medžiagomis – apsauginius jungiamuosius elementus uždenkite izoliacinėmis nelaidžiomis movomis arba juosta. Įskilusių ir tekančių akumuliatorių negabenkite. Dėl tolesnių patarimų kreipkitės į transporto įmonę.

**PAPILDOMI AKUMULIATORIAUS SAUGOS ĮSPĖJIMAI**

- Siekiant sumažinti gaisro, susižeidimų ir įrangos pažeidimų pavojus, galinčius kilti dėl trumpojo elektros jungimo, pasirūpinkite, kad įrankis, akumuliatorius arba įkroviklis niekada nebūtų panardintas į joki skystį, o taip pat, kad skystis nepatektų į jų vidų. Koroziją sukeliantys arba laidūs skysčiai, pvz., sūrus vanduo, tam tikri chemikalai ir balikliai arba produktai, kurių sudėtyje yra baliklių, gali sukelti trumpąjį jungimą.
- Akumuliatorių kraukite nuo 10 °C iki 38 °C temperatūros aplinkoje.
- Įrenginį laikykite nuo 0 °C iki 20 °C temperatūros aplinkoje.
- Akumuliatorių naudokite nuo 0 °C iki 40 °C temperatūros aplinkoje.

## PRIEŽIŪRA

- Keitimui naudokite tik originalias gamintojo atsargines dalis. Neoriginalios dalys gali būti sužeidimų ir įrenginio blogo veikimo priežastis, ir dėl to gali būti anuliuotas garantinis pažymėjimas.
- Prieš valydami, tikrindami ar techniškai prižiūrėdami įrenginį, jį išjunkite ir palaukite, kol pjovikliai visiškai sustos, tada išimkite akumuliatorių. Smulkinant, po kurio laiko pjovimo mechanizmas įkaista. Prieš valydami, tikrindami arba reguliuodami palaukite, kol jis atvės.
- Pjovimo įtaiso geležtės ypatingai aštrios. Siekdami išvengti sužeidimo, būkite ypač atsargūs ir rūpestingi valydami arba dirbdami prie geležčių, arba atidaryto priedo viduje, kai išimta surinkimo dėžė. Visuomet mūvėkite storas apsaugines pirštines.
- Žinokite, kad pjovimo įtaisai vis dar gali pajudėti, net jei maitinimas išjungtas arba jei įjungtas sujungimo mygtukas.
- Įrenginys geriausiai veikia, kai yra švarus.
- Baigę darbą, įrenginį tuoj pat išvalykite. Jeigu yra galimybė, medžiagų padavimo ir susmulkinčių atliekų išbėrimo lovelį reikia valyti standžiu šepetėliu, o gaminio išorę – sauso audinio skiaute.
- Nelaukite, kol susmulkinta medžiaga pridžius ir sukietės ant kokio nors įrenginio paviršiaus, ypač ant peilių. Tai turi tiesioginį poveikį smulkinimo našumui.
- Padavimo piltuvas ir išbėrimo lovelis turi būti švarūs ir be atliekų likučių.
- Įsitinkinkite, ar visos varžlės, varžtai ir sraigčiai (išskyrus reguliavimo varžtą) yra tvirtai ir tinkamai užveržti.
- Visas apgadintas ar susidėvėjęs dalis būtina atiduoti taisyti ar keisti tik kvalifikuotiems įgalioto techninio aptarnavimo centro darbuotojams.
- Niekuomet nebandykite apeiti surinkimo dėžės arba priekinio pjovimo mazgo sujungimo jungiklių.
- Neleiskite stabdžių skysčiams, benziniui, naftos produktams, persisunkiantiems tepalams ir kt. susiliesti su plastikinėmis

dalimis. Gaminio niekada nevalykite stabdžių skysčiais, benzinu, naftos produktais ar kitais tirpikliais. Komerciniai tirpikliai lengvai pažeidžia daugelį plastikinių dalių paviršių ir gali jas apgadinti.

- Galima atlikti šiame vadove aprašytus priežiūros darbus. Įrenginį kitiems remonto darbams pristatykite į įgaliotąjį techninės priežiūros centrą.

## SMULKINIMO PLOKŠTĖS REGULIAVIMAS

- Jei įrenginiui nepavyksta susmulkinti medžiagos, gali tekti sureguliuoti smulkinimo plokštę arba gali tekti pagaląsti peilius.
- Laikui bėgant, reikės sureguliuoti įrenginio smulkinimo plokštę. Tai galima padaryti sureguliuojant smulkinimo plokštę taip, kad ji šiek tiek prisiliestų prie peilių. Įsitinkinkite, ar įrenginys yra įjungtas ir veikia įprasta priekinės eigos kryptimi.
- Reguliuojant smulkinimo plokštę varikliui neveikiant galima rimtai sugadinti įrenginį.

**PASTABA:** Reguliuoti smulkinimo plokštę reikia tik tada, kai manoma, kad tai visiškai būtina. Per dažnai reguliuojant smulkinimo plokštę arba nustatant ją per toli, įrenginys gali neveikti.

1. Įrenginiui veikiant sukite reguliavimo rankenėlę pagal laikrodžio rodyklę.
2. Kai išgirsite, kaip metalas trinasi į metalą, arba surinkimo talpyklės dugne rasite smulkių aliumininių drožlių, liaukitės reguliavę ir leiskite įrenginiui paveikti 30 sekundžių. Tada sukite reguliavimo rankenėlę prieš laikrodžio rodyklę 0,5–1,0 sūkio, kol ji nebelies smulkinimo plokštės, palikdami 1 mm tarpelį.

**PASTABA:** Reguliuoti reikia lėtai, kad neapgadintumėte gaminio. Netinkamai sureguliuavus plokštelę, gaminį galima stipriai apgadinti.

## SMULKINIMO PLOKŠTĖS REGULIAVIMAS NAUDOJANT KALIBRAVIMO REŽIMĄ

**PASTABA:** Įsitinkinkite, kad įrenginys yra išjungtas.

1. Kai įrenginys yra išjungtas, laikydami nuspaudę kalibravimo režimo mygtuką paspauskite įjungimo mygtuką. Geležtė pradės kalibruotis.

2. Sukite smulkinimo plokštės reguliavimo rankenėlę pagal laikrodžio rodyklę, kol įrenginys išsijungs.

**PASTABA:** Sukite rankenėlę prieš laikrodžio rodyklę 0,5–1,0 sūčio, kol smulkinimo plokštė ir peiliai nebesilies.

3. Paspauskite įjungimo mygtuką, kad vėl tiktumėte žaliavą į įrenginį.

## SUSIPAŽINKITE SU ĮRENGINIU

Žr. 185 psl.

1. Akumuliatoriaus lizdas
2. Atbulinės eigos mygtukas
3. Kalibravimo režimo mygtukas
4. Sustabdymo mygtukas
5. Padavimo piltuvas
6. Užvedimo mygtukas
7. Akumuliatoriaus dangtelis
8. Smulkinimo plokštės reguliavimo rankenėlė
9. Metalinio rėmo atlaisvinimo mygtukas
10. Metalinis rėmas
11. Fiksatorius
12. Ašis
13. Medžiagos plunžeris
14. Ratas
15. Kaištis
16. Poveržlė
17. Stebulės dangtelis
18. Naudotojo vadovas
19. „Torx“ raktas
20. Rinktuvas
21. Baterija
22. Įkroviklis

## SIMBOLIAI ANT ĮRENGINIO



Reguliariai ir prieš kiekvieną naudojimą tikrinkite, ar tinkamai užveržti visi sraigčiai, varžtai ir veržlės, kad užtikrintumėte saugą darbo aplinką. Vadovaukitės visais įspėjimais ir saugos taisyklėmis.



Saugokitės išmetamų arba skrendančių objektų. Visi pašaliniai asmenys, ypač vaikai ir naminiai gyvūnai, turi būti ne arčiau kaip 15 m nuo darbo vietos.



Įspėjimas! Prieš vykdydami techninės priežiūros, reguliavimo ir valymo darbus atjunkite akumuliatorių.



Pavojus! Besisukančios geležtės. Įrenginiui veikiant, rankas ir kojas laikykite atokiai nuo angų.



Dėvėkite akių ir ausų apsaugą.



Nenaudokite vietoje laiptelio.



Nelieskite, kol visos įrenginio dalys visiškai sustos.



Garantuotas akustinis lygis



Mūvėkite neslystančias, tvirtas apsaugines pirštines.



Kai įrenginys yra išjungtas ir išmetimo latakas yra švarus, paspauskite kalibravimo mygtuką, kad paleistumėte peilio kalibravimą.



Paspauskite, kad įjungtumėte, paskui spauskite vėl, kad perjungtumėte greičio nuostatas.



Laikykite nuspaudę mygtuką, kad įrenginys veiktų atbuline eiga.



Europos atitikties ženklas



Didžiosios Britanijos atitikties ženklas



„EurAsian“ atitikties ženklas



Ukrainos atitikties ženklas



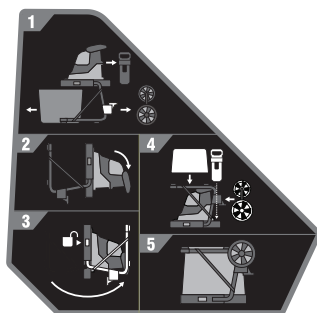
Kalibravimo režimas



Perkrova



Rinktuvas nėra įdėtas



1. Nuimkite ratų ašį, dėžę ir stūmoklį.
2. Paguldykite įrenginį ant žemės rankenomis žemyn.
3. Paspauskite metalinio rėmo atlaisvinimo mygtuką ir atlenkite kojas, kol jos užsifiksuos.
4. Padėkite ratų ašį, dėžę ir stūmoklį į jų saugojimo vietą.
5. Laikykite įrenginį vėsioje, sausoje ir gerai vėdinamoje vietoje.



Neišmeskite senų akumuliatorių, elektros ir elektroninės įrangos atliekų kartu su nerūšiuotomis komunalinėmis atliekomis. Seni akumuliatoriai, elektros ir elektroninės įrangos atliekas privaloma surinkti atskirai. Senos baterijos, akumuliatoriai ir šviesos šaltinių atliekos turi būti pašalinti iš įrangos. Kur rasti surinkimo ir perdirbimo punktą ir kaip tinkamai utilizuoti seną įrenginį, kreipkitės į vietos valdžios įstaigą ar pardavėją. Atsižvelgiant į vietos teisės aktus, mažmenininkai gali būti įpareigoti nemokamai priimti atgal senus akumuliatorius ir elektros bei elektroninės įrangos atliekas. Prisidėdami prie pakartotinio senų akumuliatorių ir elektros bei elektroninės įrangos atliekų panaudojimo ir perdirbimo padedate mažinti žaliavų poreikį. Senuose akumuliatoriuose, ypač tuose, kuriuose yra ličio, elektros ir elektroninės įrangos atliekose yra vertingų ir perdirbimui tinkamų medžiagų, kurios gali turėti neigiamą poveikį aplinkai ir žmonių sveikatai, jei nėra šalinamos aplinkai nekenksmingu būdu. Ištrinkite senuose prietaisuose esančius asmens duomenis, jei tokių buvo.

## SIMBOLIAI VADOVE



Detalės arba priedai yra parduodami atskirai



Pastaba



Įspėjimas!



Blokėtąjs



Atrakinti

GEDIMŲ NUSTATYMAS		
GEDIMAS	PRIEŽASTIS	VEIKSMAS
Variklis neveikia.	Perkaitimas	Palaukite 15 minučių, kol įrenginys atvės. Taip gali atsitikti, kai aplinkos temperatūra yra aukšta ir įrenginys be perstojo naudojamas be pertraukos.
	Baterija	Patikrinkite, ar akumuliatorius yra visiškai įkrautas, ar nėra vandens patekimo požymių ir ar jis nėra pažeistas. Pabandykite panaudoti akumuliatorių kitame įrenginyje, kad įsitikintumėte, jog jis tinkamai veikia.
	Rinktuvas	Įdėkite rinktuvą, kaip nurodyta ant jo šono esančiose etiketėse, ir įsitikinkite, kad jis yra iki galo įtaisytas, o priekinis fiksatorius – užfiksuotas.
	Peilio gaubto plokštė	Įsitikinkite, kad visi 4 peilio gaubto plokštės varžtai yra iki galo priveržti.
Medžiaga netiekama į išmetimo lataką.	Medžiaga užstrigo tiekimo piltuve.	Laikykites vadove pateiktų nurodymų dėl kamščių šalinimo.
	Smulkinimo plokštė yra per toli nuo pjovimo peilio.	Vadovaukitės naudojimo instrukcijoje pateiktais nurodymais, kaip įtempti smulkinimo plokštę.

Juhtmeta purusti juures on peetud esmatähtsaks ohutust, töövõimet ja töökindlust.

## OTSTARBEKOHANE KASUTAMINE

Juhtmeta purusti on mõeldud aia orgaaniliste jäätmete nagu okste, oksaraagude ja lehtede vähendamiseks.

Toode on mõeldud kasutamiseks õues liikumatult ühe koha peal, kusjuures kasutaja seisab maapinnal.

Toode ei ole mõeldud mitteorgaanilisele materjalile, metallile või materjalile, mis ületab selle maksimaalse löikevõime.

Seade tuleb paigaldada komplektis olevale alusele ja kasutada komplektis olevat kogumiskasti. Seda ei tohi paigaldada mitte mingil muul viisil kui käesolevas kasutusjuhendis kirjeldatud.

Ärge kasutage ühekski muuks otstarbeks.

## OHUTUSE ÜLDEESKIRJAD

**⚠ HOIATUS!** Seade ei ole ette nähtud kasutamiseks laste või nende isikute poolt, kellel on piiratud füüsilised, vaimsed või sensoorsed võimed. Väikelaste järele peab keegi teine kui kasutaja pidevalt valvama, et nad seadmega või seadme läheduses ei mängiks.

**⚠ HOIATUS!** Seadme kasutamisel tuleb järgida üldisi ohutusnõudeid, et vähendada tulekahjust ja elektrilöögist tingitud ohtu ning vältida kehavigastusi. Lugege enne masina kasutamist kõik need ohutusjuhised hoolikalt läbi. Õppige tundma kõiki seadme juhtseadiseid ja kasutusnõudeid. Hoidke juhend edaspidiseks kasutamiseks alles.

## VÄLJAÕPE

- Tutvuge juhistega, enne kui proovite seadet kasutada.
- Toodet ei tohi kasutada lapsed ega isikud, kes ei tea neid kasutusjuhiseid. Kohalikud regulatsioonid võivad seada kasutaja vanusele piiranguid.
- Toote kasutaja vastutab teistele inimestele või nende varale põhjustatud õnnetuste või ohtude eest.

## ETTEVALMISTUSTOIMINGUD

- Ärge kasutage seadet, kui läheduses on teisi inimesi, eriti lapsi või lemmikloomi.

- Ärge kasutage toodet halva ilma korral, eriti kui on olemas äikeseoht. Toote kasutamise ajal kandke alati kuulmiskaitsmeid ja kaitseprille.

- Kandke seadmega töötamisel kinniseid jalanõusid ja pikki pükse. Ärge kasutage seadet paljajalu ega kandke töötamise ajal lahtisi sandaale. Vältige selliste riiete kandmist, mis on lövdvad või millel on paelad või sidemed.

- Kasutage toodet üksnes lagedal alal (nt mitte seina või liikumatu objekti lähedal) ning kindlal ja tasasel pinnal.

- Ärge kasutage masinat sillutatud või kruusaga kaetud pinnal, kus väljalastav materjal võib põhjustada vigastusi.

- Enne seadme käivitamist kontrollige, et kõik kruvid, mutrid, poldid ja muud kinnitid on nõuetekohaselt kinnitatud ja kaitseadised ning kogumiskast on oma kohal. Kahjustatud osade või loetamatute siltide vahetamiseks viige toode volitatud teeninduskeskusesse.

## AKUTÖÖRIISTA HOOLDUS JA KASUTAMINE

- Laadige akut ainult tootja poolt ettenähtud laadijaga. Üht tüüpi aku jaoks sobiv laadija võib koos teise akuga kasutamisel tekitada ohtu.

- Kasutage akutööriista ainult selleks ettenähtud akudega. Muude akupakettide kasutamine võib põhjustada kehavigastusi või tulekahju.

- Sel ajal kui akupakett ei ole kasutusel, hoidke seda eemal metallesemetest nagu kirjaklambrid, mündid, võtmed, naelad, kruvid ja muudest väikestest metallobjektidest, mis võivad akuklemmid lühistada. Aku klemmide lühistamine võib põhjustada põletust või tulekahju.

- Aku vale kasutamise korral võib akuvedelik välja voolata - vältige sellega kokkupuudet. Akuvedeliku nahale sattumisel peske see veega maha. Vedeliku silma sattumisel pöörduge viivitamatult arsti poole. Väljapritsvik akuvedelik võib tekitada nahaärritust või -põletust.

- Ärge kasutage vigast või ümbertehtud akut ega tööriista. Vigased või ümbertehtud akud võivad

toimida ettearvatult, mille tagajärjeks on tulekahju, plahvatus või vigastuste oht.

- Ärge jätke akut või tööriista tule lähedale ega liiga kõrge temperatuuri kätte. Tuli või temperatuur üle 130 °C võib põhjustada plahvatust.
- Järgige kõiki vahetamise juhiseid ning ärge vahetage akut ega tööriista väljaspool juhistes määratletud temperatuurivahemikku. Vale laadimine või laadimine väljaspool määratletud temperatuurivahemikku võib akut rikkuda ja suurendada tulekahju ohtu.

## TEENINDAMINE

- Laske oma elektrilist tööriista hooldada väljaõppinud teenindustöötajal; remontimisel tohib kasutada ainult originaalvaruosi. See tagab elektriseadme ohutuse.
- Ärge kunagi remontige vigast akut. Vigast akut tohivad remontida vaid tootja või volitatud hooldustöötajad.

## JUHTMETA PURUSTI OHUTUSJUHISED

- Toodet kasutamiseks seades veenduge, et toode on kinnitatud ja ei kuku ümber. Kui toode liiga kiiresti välja lülitada, võivad materjalijäägid purustamisterad ummistada ja toote taaskäivitamisel mootori seisata.
- Enne toote käivitamist veenduge, et punker on tühi.
- Hoidke oma nägu ja keha eemal toiteavast.
- Ärge laske käsi ega muid kehaosaid või riietusesemeid etteandekambrisse, väljalaskerenni ega liikuvate osade lähedusse sattuda.
- Tagage endale kindel jalgealune. Hoidke end pidevalt jalgadel ja tasakaalus. Ärge kummardage. Materjali sissesöötmisel ärge kunagi seiske toote alusraamist kõrgemal. Töötamisel kõndige, ärge kunagi jookske.
- Tootet kasutamise ajal hoidke alati väljalaskepiirkonnast eemale.
- Materjali tootesse sissesöötmisel olge väga tähelepanelik, et materjali hulgas ei oleks metallitükke, kive, pudeleid, karpe ega muid võõrkehi.

- Kui löikemehhanism satub kokkupuutesse võõrkehaga või kui toode hakkab tekitama ebatavalist müra või vibratsiooni, lülitage see välja ja laske löiketeradel täielikult peatuda. Võtke akupakett välja. Teostage järgmised sammud.
  - Kontrollige toodet hoolikalt kahjustuste suhtes.
  - Kontrollige toote lahtiste osade olemasolu ja kinnitage need.
  - asendage või parandage kõik vigastatud osad
- Ärge laske töödeldud materjalidel koguneda väljalaskerenni, see võib nõuetekohast väljalaset tõkestada või ummistada ning selle tagajärjeks võib olla materjali tagasilöökk etteandevasse.
- Kui toode on ummistunud, lülitage see välja ja laske löiketeradel täielikult peatuda. Enne prahi puhastamist eemaldage aku.
- Ärge käituge seadet kui kaitsekatted, kaaned, kogumiskast või muud turvaseadised on rikkis, pole oma kohtadel või pole nõuetekohases töökorras.
- Ärge liigutage ega transportige toodet selle töötamise ajal.
- Lülitage välja ja eemaldage aku. Veenduge, et kõik masina liikuvad osad on täielikult seiskunud:
  - enne toote juurest lahkumist
  - enne takistuse kõrvaldamist
  - enne kontrollimist, puhastamist või teenindamist,
- Ärge kallutage toodet töötamise ajal.
- Seadme pikaajalisel kasutamisel võite saada kehavigastusi ja varasemad vigastused võivad süveneda. Kui kasutate toodet pikaajaliselt, tehke regulaarselt pause.
- Ärge püüdke seadme konstruktsiooni mingil viisil muuta ega kasutage varuosi või tarvikud, mis pole tootja poolt soovitatud. See võib suurendada endale või teistele tõsiste vigastuste tekitamise ohtu.
- Veenduge, et ventilatsiooniavad ei ole kunagi prahi. Mootor võib üle kuumeneda, mis võib toodet kahjustada või suurendada tuleohtu.

- Enne kogumiskasti kinnitamist või eemaldamist lülitage seade välja.
- Lülitage otsekohe välja ja eemaldage aku õnnetuse või rikke korral. Ärge kasutage tööriista enne, kui see on volitatud parandustöökojas põhjalikult kontrollitud.

## PURUSTAMISE JUHIS

Tõhusaks purustamiseks järgige allolevas tabelis esitatud nõuandeid.

MATERJAL	PURUSTAMISVIIS
Kuni 40 mm läbimõõduga oksad.	Enne oksa sisestamist etteande punkrisse lõigake ära kõrvalharud.
Ilutaimed, umbrohi ja põõsaste võsud	Lõiketerade vigastamise vältimiseks puhastage juured mullast ja kividest.
Värskelt lõigatud lehed, heki lõikmed ja köögiviljajäätmed (nt kapsalehed, köögiviljakoores jne).	Mingi väga niiske materjali purustamiseks on soovitatav aeg-ajalt ette anda mõni kuivem vars, et aidata materjalil läbida lõikesõlme ja vältida selle ummistumist.
Kuivad oksaraod ja oksad	Nende sisestamise purustamise lõpetamisel aitab purusti sisemusest ja lõikepealt eemaldada niiskuse ja aiaprahi.

- Ärge laske aiapäätmetel enne purustamist seista, sest siis hakkavad need lagunema, muutuvad niiskeks ja ummistavad lõikamise sõlme. Väljalaskerenni saab puhastada kuiva materjali abil. Purustamise lõpus pange purustajasse mõned kuivad puutükid, et lõikamissõlme pinnad puhastada.
- Jälgige sageli purustatud materjali kogunemist.

- Kui kogumiskast on täitunud, lülitage seade enne tühendamist välja.
- Kui annate seadmele ette pikki oksa/varsid, olge ettevaatlik, sest need võivad pekselda ja väriseda, kui neid lõikuri poolt haaratakse. Operaator peab kandma selle seadme kasutamise ajal silmakaitsevahendeid.
- Lõikamissõlm püüab tõmmata oksa/tüvesid seadme sisse. Ärge püüdke materjali sisenemist takistada pärast seda kui etteanne on alanud. Kandke alati kindaid, et kaitsta end nahavigastuste eest materjali seadmesse sisse söötmise ajal.
- Tavakasutamisel ärge lülitage toodet välja enne, kui purustamisterad on kogu peenestatud materjalist puhtad. Kui toode liiga kiiresti välja lülitada, võivad materjalijäägid purustamisterad ummistada ja toote taaskäivitamisel mootori seisata.

## TRANSPORTIMINE JA HOIUSTAMINE

- Enne toote hoiustamist või selle transportimist lülitage toode välja, eemaldage aku ja laske mõlemal maha jahtuda.
- Kui tööriista ei kasutata, siis veenduge, et see on täielikult puhastatud, enne hoiustamist kuivas ja lastele mittekättesaadavas kohas.
- Vedamise ajal tõkestage kultivaator liikuma hakkamise ja alla kukkumise vastu, et vältida kehavigastusi ja masinaosade kahjustamist.

## LIITUMAKUDE TEISALDAMINE

Akude transportimisel juhenduge kasutuskohas kehtivatest riiklikest määrustest ja eeskirjadest.

Akude transportimisel allettevõtjate poolt järgige kõiki pakkimise ja tähistamise erinõudeid. Veenduge, et akud ei satu kokkupuutese teiste akude ega voolu juhtivate materjalidega, kui avatud klemmid on transportimise ajal kaitstud voolu mittejuhtivate isoleerkorkide või teibiga. Ärge transportige pragunenud või lekkivaid akusid. Küsige lisateavet transportetevõtelt.

## AKU LISAHOIUSTAMISE JUHISED

- Et vähendada tulekahju ja kehaliste vigastuste ohtu ning lühisest tulenevat toote kahjustamist, ärge kunagi kastke tööriista, akut või laadijat vedelikesse ega laske neil vedelikega kokku puutuda. Korrodeeruvad või elektrit juhtivad vedelikud, nagu soolvesi, teatud kemikaalid ja pleegitusained või pleegitusaineid sisaldavad tooted, võivad põhjustada lühist.



- Laadige akut kohas, kus keskkonna temperatuur on vahemikus 10–38 °C.
- Hoidke akut kohas, kus keskkonna temperatuur on vahemikus 0–20 °C.
- Kasutage akut kohas, kus keskkonna temperatuur on vahemikus 0–40 °C.

## HOOLDUS

- Kasutage ainult tootja originaalvaruosi, tarvikuid ja tööorganeid. Selle nõude eiramine võib põhjustada, kehavigastuse, tootluse languse ja teile antud garantii tühistamise.
- Lülitage seade enne puhastamist, ülevaatust või hooldamist välja, laske löiketeradel täielikult peatuda ning eemaldage aku. Pärast mõne aja vältel töötamist hakkab löikemehhanism kuumenema. Enne puhastamist, ülevaatust või reguleerimist laske sel maha jahtuda.
- Löikuri terad on väga teravad. Kehavigastuse vältimiseks olge äärmiselt ettevaatlik, kui seadet puhastate või löiketerade läheduses või avatud korpuse sees töötate, kui kogumiskast on eemaldatud. Kandke alati tugevdatud kaitsekindaid.
- Veenduge, et löikevahendeid saab liigutada ka siis, kui toide on välja lülitatud või siis, kui blokeerimislüliti on rakendunud.
- Seadme parima tootluse tagamiseks tuleb seda hoida puhtana.
- Pärast töötamist puhastage seade alati viivitamatult. Võimaluse korral kasutage sisestussalves olevat jäika harja ja tühjendage torud ning toote välisküljel olevat kuiva lappi.
- Ärge lubage materjalil toote pindadel kuivada ja kõveneda, eelkõige teradel. See mõjutab otseselt töö tootlust.
- Hoidke etteandepunker ja väljaheitetoru puhtad ja ärge laske neisse jäätmeid koguneda.
- Veenduge, et kõik mutrid, poldid ja kruvid (välja arvatud reguleerimiskruvi) on tihedalt ja kindlalt kinni.
- Laske kõik vigastatud või kulunud osad volitatud hooldustöökohas väljaõppinud töötajate poolt parandada või asendada.

- Ärge mingil juhul püüdke kogumiskastis või löikamisõlme kaane all olevaid blokeerimislüliteid välistada.
- Ärge laske plastosadel mitte mingil juhul sattuda kokkupuutesse auto pidurivedeliku, bensiini, bensiinipõhiste toodete, immutusõlidega või muude samalaadsete vedelikega. Tootte puhastamiseks ärge kasutage kunagi piduriõli, bensiini, naftapõhiseid tooteid ega muid lahusteid. Enamik plastikuid on erinevat tüüpi poes müüdavate lahuste kahjustuste suhtes alid ja võivad saada neid kasutades kahjustatud.
- Võite teha ainult neid hooldustoiminguid, mida on kirjeldatud käesolevas kasutusjuhendis. Muid remonditöid tohivad teha volitatud teeninduskeskused.

## PURUSTUSPLAADI REGULEERIMINE

- Kui toode ei purusta materjali, võib purustusplaat vajada reguleerimist või terad võivad vajada teritamist.
- Aja jooksul on toote purustusplaati vaja reguleerida. Seda saab teha purustusplaadi reguleerimisega selliselt, et see jõuab teradega kergesse kokkupuutesse. Veenduge, et toode on sisse lülitatud ja töötab normaalselt edasi-asendis.
- Purustusplaadi reguleerimine ajal, kui mootor on välja lülitatud, võib toodet tõsiselt kahjustada.

**MÄRKUS.** Purustusplaadi reguleerimist tohib teha ainult siis, kui seda peetakse täiesti vajalikuks. Purustusplaadi reguleerimine liiga tihti või liiga kaugele võib põhjustada toote peatumist.

1. Kui toode töötab, keerake reguleerimisnuppu päripäeva.
2. Kui te kuulete metalset häält või näete kogumiskasti põhjas peeneid alumiiniumilaaste, peatage reguleerimine ja laske tootel 30 sekundi jooksul töötada. Seejärel keerake reguleerimisnuppu 0,5–1,0 pöört vastupäeva, kuni see ei puutu enam vastu purustusplaati, jättes 1 mm vahe.

**MÄRKUS.** Tehke reguleerimist aeglaselt, et vältida seadme vigastamist. Plaadi liigne etteanne võib seadet raskelt vigastada.

## PURUSTUSPLAADI REGULEERIMINE KALIBREERIMISREŽIIMI ABIL

**MÄRKUS.** Veenduge, et toode on väljalülitatud olekus.

EN

FR

DE

IT

ES

NL

PT

DA

SV

FI

NO

RU

PL

CS

HU

RO

LV

LT

ET

HR

SL

SK

BG

UK

TR

1. Kui toode on välja lülitatud, hoidke kalibreerimisrežiimi nuppu all ja seejärel vajutage käivitusnuppu. Tera alustab kalibreerimist.
2. Keerake purustusplaadi reguleerimisnuppu päripäeva, kuni toode välja lülitub.

**MÄRKUS.** Keerake nuppu 0,5-1,0 pööret vastupäeva, kuni purustusplaat ja terad ei puutu enam kokku.

3. Materjali tootesse lisamiseks vajutage käivitusnuppu.

## ÕPPIGE OMA TOODET TUNDMA

Vt leht 185.

1. Aku pesa
2. Tagurdusnupp
3. Kalibreerimisrežiimi nupp
4. Stopp-nupp
5. Väljalaskerenn
6. Käivitusnupp
7. Akupesa kaas
8. Purustusplaadi reguleerimisnupp
9. Metallist raami vabastusnupp
10. Metallraam
11. Lukusti
12. Telg
13. Ummistatud materjali eemaldaja
14. Ratas
15. Splint
16. Seib
17. Rattakilp
18. Kasutusjuhend
19. Kuuskantvõti
20. Kogumiskast
21. Aku paketiaga
22. Laadija

## MASINAL OLEVAD SÜMBOLID



Enne toote kasutamist lugege läbi ja tehke endale selgeks kõik juhised. Järgige kõiki hoiatusi ja tööohutuseeskirju.



Hoiduge ülespaisatud ja lendavate esemete eest. Hoidke kõik kõrvalseisjad, eriti lapsed ja lemmikloomad tööalalt vähemalt 15 meetri kaugusele.



Hoiatus! Enne hooldamist, reguleerimist ja puhastamist ühendage aku lahti.



Oht! Pöörlevad terad. Kui seade töötab, siis hoidke oma käed ja jalad avast eemal.



Kandke kaitseprille ja kõrvaklappe.



Ärge kasutage seadet astmena.



Enne puudutamist oodake, kuni kõik toote osad on täielikult seiskunud.



Garanteeritud helivõimsuse tase



Kandke libisemiskindlaid, tugevdatud kaitsekindaid.



Kui toode on välja lülitatud ja renn on puhas, vajutage tera kalibreerimise alustamiseks kalibreerimisnuppu.



Vajutage sisselülitamiseks ja vajutage uuesti, et kiirust vahetada.



Tagurdamisrežiimis töötamiseks hoidke nuppu all.



Euroopa vastavusmärgis



Suurbritannia vastavusmärgis



Euraasia vastavusmärk



Ukraina vastavusmärgis



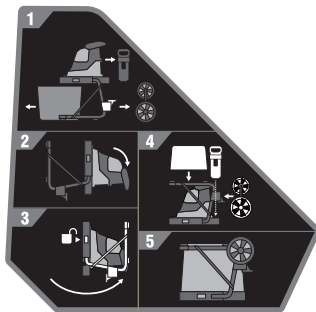
Kalibreerimisrežiim



Ülekoormatud



Kogumiskast ei ole sisestatud



1. Eemaldage rattatelg, kast ja kolb.
2. Asetage toode maapinnale, käepidemed allpool.
3. Vajutage metallist raami vabastusnuppu ja keerake jalad üles, kuni nad lukustuvad.
4. Pange rattatelg, kast ja kolb nende hoiukohtadesse.
5. Hoiustage toodet jahedas, kuivas ja hea ventilatsiooniga kohas.



Ärge kõrvaldage kasutatud patareid ning elektri-ja elektroonikaseadmete jäätmeid sortimata olmejäätmetena. Kasutatud patareid ning elektri-ja elektroonikaseadmete jäätmed tuleb koguda eraldi. Patareijäätmed, akujäätmed ja jäätmetest valgusallikad tuleb seadmetest eemaldada. Taaskasutusnõuannete ja kogumispunktiga seotud teabe saamiseks pöörduge kohaliku omavalitsuse või edasimüüja poole. Kohalike eeskirjade kohaselt võib jaemüüjatel olla kohustus kasutatud patareid ning elektri-ja elektroonikaseadmete jäätmed tasuta tagasi võtta. Teie panus patareide ning elektri-ja elektroonikaseadmete jäätmete korduskasutamisse ja ringlussevõttu aitab vähendada toorainete nõudlust. Patareijäätmed, mis sisaldavad eelkõige liitiumi, ning elektri-ja elektroonikaseadmete jäätmed sisaldavad väärtuslikke ja ringlussevõetavaid materjale, mis võivad keskkonda ja inimeste tervist kahjustada, kui neid ei kõrvaldata keskkonnasäästlikul viisil. Olemasolul kustutage jäätmeseadmest isikuandmed.

- EN
- FR
- DE
- ES
- IT
- NL
- PT
- DA
- SV
- FI
- NO
- RU
- PL
- CS
- HU
- RO
- LV
- LT
- ET**
- HR
- SL
- SK
- BG
- UK
- TR

### KASUTUSJUHENDI SÜMBOLID



Eraldi ostetavad osad või tarvikud



Märkus



Hoiatus



Lukk



Lahtikeeramine

## RIKKEOTSING

PROBLEEM	PÕHJUS	TEGEVUS
Mootor ei tööta.	Temperatuuri ülekoormus	Laske tootel 15 minutit maha jahtuda. See võib juhtuda, kui ümbritsev temperatuur on kõrge ja toodet on kasutatud järjekindlalt ilma pausideta.
	Aku paketiga	Kontrollige, kas aku on täis laetud, sellel ei ole märke vee sissevoolust ega kahjustustest. Testige akut teise tööriista abil, et veenduda selle õiges toimimises.
	Kogumiskast	Sisestage kogumiskast kasti küljel olevate siltide põhjal ja veenduge, et see on täielikult sisestatud ja esilukk on kinni.
	Lõiketera kaitsekatte plaat	Veenduge, et kõik 4 polti, mis kinnitavad lõiketera kaitsekatte plaadi, oleksid korralikult pingutatud.
Materjali ei söödeta renni.	Materjal on sisestuslehtriisse kinni jäänud.	Järgige selles kasutusjuhendis esitatud juhiseid ummistumise kõrvaldamise kohta.
	Purustusplaat on lõiketerast liiga kaugel.	Purustusplaadi pingutamiseks järgige kasutusjuhendis toodud juhiseid.

Vodeću ulogu u dizajnu vaše akumulatorske rezačice imaju sigurnost, performanse i pouzdanost.

## NAMJENA

Akumulatorska rezačica osmišljena je za usitnjavanje organskih vrtnih otpadnih materijala, kao što su to grane, grančice i lišće.

Proizvod je namijenjen za vanjsku uporabu na u nepokretnom položaju od strane operatera koji stoji na tlu.

Proizvod nije namijenjen za neorganski materijal, metal ili materijal koji premašuje njegov maksimalan kapacitet rezanja.

Proizvod mora biti montiran na isporučeno postolje i mora se koristiti zajedno s isporučenom kutijom za prikupljanje. Ne smije se ugraditi na drugačiji način osim kao što je prikazan u ovom priručniku.

Proizvod ne koristite ni za kakvu drugu svrhu.

## OPĆA SIGURNOSNA PRAVILA

**⚠ UPOZORENJE!** Ovaj proizvod nije namijenjen za korištenje od strane djece ili osoba sa smanjenim fizičkim, psihičkim ili mentalnim mogućnostima. Djecu je potrebno da netko drugi nadzire cijelo vrijeme, kako bi se osiguralo da se ne igraju pored ili s proizvodom.

**⚠ UPOZORENJE!** Kako biste smanjili opasnost od požara, strujnog udara i osobnih ozljeda prilikom korištenja proizvoda, pridržavajte se osnovnih mjera opreza. Pažljivo pročitajte sve ove sigurnosne upute prije rada s proizvodom. Upoznajte se s upravljačkim elementima i pravilnim korištenjem proizvoda. Molimo vas da čuvate ove upute radi kasnijeg korištenja.

## OBUKA

- Upoznajte se s uputstvima prije nego što pokušate pokrenuti proizvod.
- Nikada nemojte dopustiti korištenje proizvoda djeci ili osobama koje nisu upoznate s uputama. Moguće je da lokalni propisi propisuju starosnu dob rukovatelja.
- Rukovatelj ili korisnik proizvoda odgovoran je za nezgode ili opasnosti koje se događaju drugim ljudima ili njihovoj imovini.

## PRIPREMA

- Nikada ne radite s uređajem dok su u blizini ljudi, osobito djeca ili kućni ljubimci.
- Izbjegavajte uporabu proizvoda po lošem vremenu, posebno kada postoji opasnost od munje. U svakom trenutku dok radite s proizvodom nosite zaštitu za uši i sigurnosne naočale.
- Tijekom rada s proizvodom uvijek nosite zaštitnu obuću i duge hlače. Nemojte raditi bosu ili u otvorenim sandalima. Izbjegavajte nositi odjeću koja je labava ili s nje visi konop ili kravata.
- S proizvodom radite na otvorenom (tj. ne blizu zida ili čvrstog objekta) i na tvrdoj, ravnoj površini.
- Nemojte raditi s uređajem na popločanim ili šljunčanim površinama gdje odbačeni materijal može uzrokovati ozljedu.
- Prije pokretanja proizvoda provjerite sve vijke, matice, svornjake i druge učvršne elemente jesu li pričvršćeni i da su štitnici i kutije za prikupljanje na mjestu. Proizvod odnesite u ovlaštenu servisnu centar kako biste zamijenili oštećene ili nečitljive naljepnice.

## ALAT ZA UPORABU I ODRŽAVANJE BATERIJE

- Punite samo s punjačem navedenim od proizvođača. Punjač koji je prikladan za jednu vrstu baterijskog sklopa može stvoriti rizičnu situaciju kada se koristi s drugim baterijskim sklopom.
- Koristite AKU alate samo s posebno naznačenim baterijama. Korištenje bilo kojih drugih baterija dovodi do opasnosti od ozljeda i požara.
- Kada se baterija ne koristi držite je dalje od drugih metalnih predmeta kao što su spajalice za papir, kovanice, ključevi, čavli, vijci ili drugi mali metalni predmeti koji mogu spojiti jedan pol na drugi. Kratki spoj polova baterije može izazvati opekotine ili požar.
- Pod uvjetima loma može doći do izbacivanja tekućine iz baterije, izbjegavajte kontakt. Ako dođe do nehotičnog kontakta, isperite to mjesto s vodom. Ako tekućina dospje u oči, dodatno potražite liječničku pomoć. Tekućina koja istječe iz baterije može dovesti do iritacije ili opekotina.
- Nemojte koristiti bateriju ili alat koji su oštećeni ili modificirani. Oštećene

ili modificirane baterije mogu imati nepredvidivo ponašanje, što može dovesti do požara, eksplozije ili rizika od tjelesnih ozljeda.

- Nemojte izlagati baterijski sklop ili alat vatri ili visokoj temperaturi. Izlaganje vatri ili temperaturi višoj od 130°C može dovesti do eksplozije.
- Slijedite sve upute za punjenje i nemojte puniti bateriju ili alat na temperaturama izvan temperaturnog raspona specificiranog u uputama. Nepravilno punjenje ili punjenje na temperaturama izvan specificiranog raspona može oštetiti bateriju i povećati rizik od požara.

## ODRÆAVANJE

- Neka vaš električni alat servisira kvalificirana osoba za popravak koristeći samo identične zamjenske dijelove. Ovo će osigurati da se održi sigurnost električnog alata.
- Nikada nemojte popravljati oštećene baterije. Popravak oštećenih baterija smije izvoditi isključivo proizvođač ili ovlašteni servisni centar.

## SIGURNOSNA UPOZORENJA ZA AKUMULATORSKU REZAČICU

- Prilikom pripremanja proizvoda za korištenje, uvjerite se da je proizvod pričvršćen tako da se ne može prevrnuti. Ako se proizvod isključi prebrzo, preostali komadi materijala mogu zagušiti sklop noža i izazvati zatajenje motora nakon ponovnog uključivanja proizvoda.
- Prije pokretanja proizvoda, pogledajte u uložnu komoru kako biste bili sigurni da je prazna.
- Držite lice i tijelo dalje od otvora za usis.
- Nemojte postavljati ruke ili neki drugi dio tijela ili odjeće unutar usisne komore, trake za pražnjenje ili bilo kojeg drugog pokretnog dijela.
- Uvijek imajte čvrsto uporište. Cijelo vrijeme držite pravilno uporište i ravnotežu. Ne sežite preko određene granice. Nikada ne stojite na razini višoj od postolja proizvoda kada je puniti materijalom. Hodajte, nemojte trčati.
- Prilikom rada s proizvodom, uvijek se udaljite od zone pražnjenja.
- Prilikom punjenja proizvoda materijalom budite krajnje oprezni i pazite da ne zahvatite komade metala, kamenje, boce, limenke ili druga strana tijela.
- Ako rezni mehanizam udari u neki strani predmet ili ako proizvod počne proizvoditi neobičajnu buku ili vibracije, isključite proizvod i pustite da se rezači u potpunosti zaustave. Uklonite bateriju. Poduzmite sljedeće korake:
  - Pažljivo provjerite je li proizvod oštećen.
  - Provjerite i pritegnite sve labave dijelove proizvoda.
  - zamjenite ili popravite sve oštećene dijelove
- Nemojte dopustiti taloženje materijala u zoni ispuhivanja, ovo može spriječiti pravilno pražnjenje ili blokadu, te može dovesti do povratnog udara materijala preko otvora za usis.
- Ako se proizvod začepi, isključite ga i pustite da se rezači potpuno zaustave. Izvadite bateriju prije čišćenja otpadaka.
- Nikada nemojte raditi s proizvodom ako su štitnici, poklopci, kutije za prikupljanje ili sigurnosni uređaji u kvaru, nisu postavljeni nisu u dobrom stanju za rad.
- Nemojte pomicati ili premještati proizvod dok proizvod radi.
- Isključite i izvadite baterijski sklop. Provjerite da su svi pokretni dijelovi zaustavljeni:
  - prije ostavljanja proizvoda bez nadzora
  - prije uklanjanja blokade
  - prije provjere, čišćenja ili rada na uređaju
- Ne naginjite proizvod dok radi.
- Povrede mogu biti uzrokovane ili zadobivene produljenim korištenjem alata. Kada proizvod koristite dulje vremensko razdoblje, svakako se redovito odmarajte.
- Nemojte modificirati uređaj ni na koji način ili koristiti dijelove ili dodatni pribor koje nije preporučio proizvođač. To može povećati rizik od teške ozljede nanasene vama ili drugim osobama.
- Uvijek vodite računa o tome da na ventilacijskim otvorima nema nečistoće. Motor se može pregrijati što može izazvati moguće oštećenje proizvoda ili povećati rizik od požara.
- Prije priklučivanja ili uklanjanja kutije za prikupljanje, isključite proizvod.

- Odmah ga isključite i izvadite baterijski sklop u slučaju nesreće ili kvara. Proizvodom nemojte ponovno rukovati sve dok ga potpuno ne provjeri ovlašteni servisni centar.

## SMJERNICE ZA REZANJE

Za najbolje rezultate rezanja, slijedite smjernice prikazane u tablici u nastavku.

MATERIJAL	NAČINI REZANJA
Grane promjera do 40 mm.	Izrežite sve izrasline s jakim orenzim škarama prije umetanja u lijevak.
Savijeno bilje, korov i grmoliko raslinje	Maknite tvrdi zemlju i kamenje s bila kako biste izbjegli oštećenje oštrice.
Svježe izrezano lišće, živica i kuhinjski otpad (npr. listovi kupusa, oguljene kore povrća)	Preporučujemo da zajedno s materijalom koji ima preveliki postotak vlage umetnete suhe šibe u pravilnim intervalima kako biste pomogli gurati materijal kroz sklop za rezanje i sprejčili začepljivanje.
Osušite štapove i šibe	Umetanjem ovog na kraju posla usitnjavanja, pomoći će u čišćenju vlage i biljnog soka s unutrašnjosti proizvoda i sklopa za rezanje.

- Nemojte dopustiti da se nagomila vrtni otpad preje nego ga izrežete jer će postati kompost, postati prevlažan i sačepljivati sklop za rezanje. Suhi materijal pomaže većini materijala da iziđe iz rezačice. Spremite neke suhe štapove do kraja kako bi vam pomogli očistiti područje oštrice.
- Učestalo pratite nakupljanje usitnjenog materijala.
- Kada je kutija za prikupljanje puna, isključite proizvod prije pražnjenja.

- Kada umećete dugačke grane/stabiljke u proizvod pazite se poskakivanja i vibracija kako ih zahvaća nož. Operater mora nositi zaštitu za oči kad got koristi proizvod.
- Uređaj za rezanje ima tendenciju povlačenja grana/stabiljki u proizvod. Nemojte pokušavati sprijeći ulaz materijala koji se počeo rezati. Uvijek nosite rukavice kako biste spriječili povrede kože kada ubacujete materijal u proizvod.
- Tijekom normalnog korištenja ne isključujte proizvod sve dok se usitnjeni materijal ne očisti iz sklopa rezača. Ako se proizvod isključi prebrzo, preostali komadi materijala mogu zagušiti sklop noža i izazvati zatajenje motora nakon ponovnog uključivanja proizvoda.

## PRIJEVOZ I SKLADIŠTENJE

- Isključite proizvod, izvadite baterijski sklop i pustite ih da se ohlade prije skladištenja ili prevoženja.
- Provjerite je li proizvod temeljito očišćen prije nego ga spremite na čisto, suho mjesto izvan dohvata djece.
- Za prijevoz, osigurajte uređaj protiv pomicanja ili pada kako biste spriječili povrede osoba ili oštećenja na uređaju.

## TRANSPORTIRANJE LITIJUMSKIH BATERIJA

Transportirajte bateriju u skladu s lokalnim i nacionalnim pravima i zakonima.

Slijedite sve specijalne zahtjeve na pakiranju i naljepnicama prilikom transporta baterije od treće strane. Osigurajte da baterija ne može doći u kontakt s drugim baterijama ili provodnim materijalima tijekom transporta tako da zaštitite izložene priključke s izolacijom, kapticama koje ne provode energiju ili trakom. Nemojte transportirati baterije koje su polomljene ili cure. Provjerite kod kompanije koji transportirate za daljnju pomoć.

## DODATNA SIGURNOSNA UPOZORENJA ZA BATERIJU

- Kako biste smanjili rizik od požara, tjelesnih ozljeda i oštećenja proizvoda zbog kratkog spoja, nikada nemojte umakati proizvod, baterijski sklop ili punjač u tekućinu ili dozvoliti da tekućina prodre u njih. Korozirajuće ili vodljive tekućine kao slana voda, određene kemikalije i sredstva za

bijeljenje ili proozvodi koji sadrže sredstva bijeljenja, mogu prouzročiti kratak spoj.

- Baterijski sklop punite na mjestu na kojem je okolišna temperatura između 10°C i 38°C.
- Baterijski sklop čuvajte na mjestu na kojem je okolišna temperatura između 0°C i 20°C.
- Baterijski sklop koristite na mjestu na kojem je okolišna temperatura između 0°C i 40°C.

## ODRŽAVANJE

- Koristite samo originalne zamjenske dijelove, dodatni pribor i priključke od proizvođača. Nepoštivanje ovih uputa može dovesti do mogućih ozljeda, loše učinkovitosti i može dovesti do poništenja jamstva.
- Isključite proizvod, pustite da se rezači u potpunosti zaustave i uklonite bateriju prije čišćenja, pregledavanja ili servisiranja proizvoda. Nakon određenog vremena rezanja, mehanizam za rezanje postaje vruć. Pustite da se ohladi prije čišćenja, pregledavanja ili namještanja.
- Rezne oštrice iznimno su oštre. Za izbjegavanje povreda, budite izričito oprezni i pažljivi kada čistite ili radite pored oštrica ili unutar otvorenog kućišta kada je uklonjena kutija za prikupljanje. Uvijek nosite zaštitne rukavice velike debljine.
- Imjate na umu da se rezni mehanizam može pomicati kad je napajanje isključeno ili ako je unutarnja brava uključena.
- Za osiguranje najbolje učinkovitosti proizvoda, morate ga održavati čistim.
- Uvijek očistite proizvod odmah nakon korištenja. Gdje god je to moguće, upotrijebite čvrstu četku unutar žlijebova za uvlačenje i izbacivanje trave i suhu krpu na vanjskim površinama proizvoda.
- Nemojte dozvoliti da materijal postane suh i tvrd na bilo kojoj od površina proizvoda, a naročito ne na noževima. Ovo izravno utječe na učinkovitost rezanja.
- Provjerite jesu li lijevak i izlazna traka čisti i održavajte ih čistim od otpadnog materijala.
- Provjerite jesu li čvrsto zategnute sve matice, matični i obični vijci (osim vijka za podešavanje).
- Uvijek popravite sve oštećene ili istrošene dijelove ili neka ih zamijeni kvalificirano osoblje u ovlaštenom servisnom centru.

- Nikada ne pokušavajte premostiti sklopku unutarnje blokade na kutiji za prikupljanje ili prednjeg poklopca sklopa oštrice.
- Nikada ne dopustite kontakt plastičnih dijelova s tekućinom za kočnice, benzinom, proizvodima na bazi petroleja, sredstvima za odmašćivanje, idr. Za čišćenje proizvoda nikada ne koristite tekućine za kočnice, benzin, proizvode na bazi petroleja ili bilo kakva otapala. Većina plastičnih dijelova osjetljiva je na oštećenje različitim vrstama komercijalnih vrsta otapala i mogu se ošteti njihovom uporabom.
- Možete izvesti zadatke održavanja opisane u ovom priručniku. Za ostale popravke, neka se proizvod servisira u ovlaštenom servisnom centru.

## NAMJEŠTANJE PLOČE ZA DROBLJENJE

- Ako proizvod ne usitnjava materijal, ploču za drobljenje možda je potrebno namjestiti ili je potrebno naoštiti noževe.
- S vremenom je potrebno namjestiti ploču za drobljenje na proizvodu. To se može dovršiti namještanjem ploče za drobljenje na takav način da dođe u neznatan kontakt s noževima. Uvjerite se da je proizvod uključen i da radi u normalnom smjeru prema naprijed.
- Namještanje ploče za drobljenje dok je motor isključen može dovesti do ozbiljnog oštećenja na proizvodu.

**NAPOMENA:** Namještanje ploče za drobljenje trebalo bi pokušati samo kada je to nužno potrebno. Prečesto ili predaleko namještanje ploče za drobljenje može prouzročiti prestanak rada proizvoda.

1. Dok proizvod radi, okrenite gumb za namještanje u smjeru kazaljki na satu.
2. Kada začujete da je došlo do kontakta s metalom ili ugledate sitne aluminijske strugotine na dnu spremnika za sakupljanje, prekinite s namještanjem i pustite da proizvod radi 30 sekundi. Zatim okrećite gumb za namještanje u smjeru suprotnom od okretanja kazaljki na satu za 0,5-1,0 okretaj sve dok više ne bude postojao kontakt s pločom za drobljenje, ostavivši zazor od 1 mm.



**NAPOMENA:** Lagano završite svako podešenje kako biste izbjegli oštećenje proizvoda. Prekomjerno podešenje ploče može uzrokovati ozbiljno oštećenje proizvoda.

## NAMJEŠTANJE PLOČE ZA DROBLJENJE KORIŠTENJEM NAČINA RADA S KALIBRIRANJEM

**NAPOMENA:** Uvjerite se da je proizvod isključen.

1. Kada je proizvod isključen, držite pritisnutim gumb za način rada s kalibriranjem, a zatim pritisnite gumb za pokretanje. Nož će početi s kalibracijom.
2. Okretni gumb za namještanje ploče za drobljenje okrećite u smjeru kazaljki na satu sve dok se proizvod ne isključi.

**NAPOMENA:** Okretni gumb okrećite u smjeru suprotnom od okretanja kazaljki na satu za 0,5-1,0 okretaj sve dok ploča za drobljenje i oštrice više nisu u kontaktu.

3. Pritisnite gumb za pokretanje kako biste materijal ponovno unosili u proizvod.

## UPOZNAJTE SVOJ PROIZVOD

*Pogledajte stranicu 185.*

1. Utor za akumulator
2. Gumb za pomicanje unatrag
3. Gumb načina rada s kalibriranjem
4. Gumb zaustavljanja
5. Lijevak
6. Gumb za pokretanje
7. Vratašca za bateriju
8. Okretni gumb za namještanje ploče za drobljenje
9. Gumb za otpuštanje metalnog okvira
10. Metalni okvir
11. Zasun
12. Osovina
13. Odčeppljivač materijala
14. Kotač
15. Rascjepka
16. Podloška
17. Kapica glavine
18. Upute za uporabu
19. Torx ključ
20. Kanta za sakupljanje
21. Baterija
22. Punjač

## SIMBOLI NA PROIZVODU



Prije rada s proizvodom morate pročitati i razumjeti sve upute. Slijedite sva upozorenja i sigurnosne upute.



Čuvajte se odbačenih ili letećih predmeta. Držite sve promatrače naročito djecu i kućne ljubimce, na udaljenosti najmanje 15 m od radnog područja.



Upozorenje! Odspojite bateriju prije održavanja, namještanja i čišćenja.



Opasnost! Rotirajući noževi. Držite ruke i stopala izvan otvora dok uređaj radi.



Nosite sredstva za zaštitu vida i sluha.



Nemojte koristiti kao stepenicu.



Pričekajte da se sve komponente u potpunosti zaustave prije nego što ih taknete.



Jamčena razina zvučne snage



Nosite zaštitne rukavice velike debljine koje se ne klizu.



Kada je proizvod isključen, a žlijeb prazan, pritisnite gumb za kalibraciju kako bi počeli s kalibracijom oštrice.



Pritisnite za uključivanje i pritisnite ponovno za prebacivanje brzina.

EN

FR

DE

ES

IT

NL

PT

DA

SV

FI

NO

RU

PL

CS

HU

RO

LV

LT

ET

HR

SL

SK

BG

UK

TR



Gumb držite pritisnutim za kretanje u reverznom načinu rada.



Europska oznaka sukladnosti



Britanska oznaka sukladnosti



EurAsian znak konformnosti



Ukrajinska oznaka sukladnosti



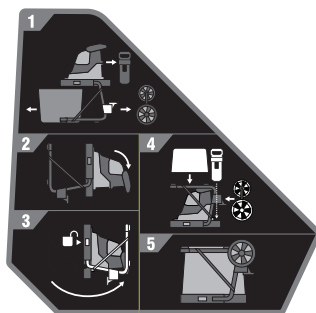
Način rada s kalibriranjem



Preopterećenje



Kanta za sakupljanje nije umetnuta



1. Skinite osovinu kotača, kantu i klip.
2. Proizvod položite na tlo sa spuštenim ručkama.
3. Pritisnite gumb za otpuštanje metalnog okvira i preklopite noge sve dok ne kliknu na svom mjestu.
4. Osovinu kotača, kantu i klip stavite na njihova mjesta za skladištenje.
5. Proizvod čuvajte na hladnom, suhom i dobro provjetrenom mjestu.

Otpadne akumulatore, otpadnu električnu i elektroničku opremu nemojte odlagati kao nesortirani komunalni otpad. Otpadni akumulatori i otpadna električna i elektronička oprema moraju se prikupljati odvojeno. Otpadne baterije, otpadni akumulatori i izvori svjetla moraju se ukloniti iz opreme. Od lokalnih nadležnih tijela ili trgovca zatražite savjete koji se odnose na recikliranje i mjesto za skupljanje otpada. U skladu s lokalnim propisima, trgovci u maloprodaji imaju obvezu besplatnog preuzimanja otpadnih baterija i otpadne električne i elektroničke opreme. Vaš doprinos ponovnoj upotrebi i recikliranju otpadnih baterija i otpadne električne i elektroničke opreme pomaže u smanjenju potrebe za sirovinama. Otpadne baterije, osobito one koje sadrže litij i električna i elektronička oprema sadrži i vrijedne materijale koje je moguće reciklirati, koji mogu negativno utjecati na okoliš i ljudsko zdravlje, ako se ne uklanja na način ekološki sukladan s okolišem. Izbrišite osobne podatke iz otpadne opreme, ako ih ima.



## SIMBOLI U OVOM PRIRUČNIKU



Dijelovi ili pribor prodan odvojeno



Napomena



Upozorenje



Brava



Otključavanje

OTKLANJANJE SMETNJI		
PROBLEM	UZROK	RADNJA
Motor ne radi.	Temperaturno preopterećenje	Dozvolite da se proizvod hladi 15 minuta. To se može dogoditi kada je temperatura u prostoru visoka, a proizvod se koristi neprekidno bez stanke.
	Baterija	Provjerite je li baterija potpuno napunjena, uvjerite se da na njoj nema znakova prodora vode i da nije oštećena. Testirajte akumulator u drugom alatu kako biste bili sigurni da je ispravan.
	Kanta za sakupljanje	Kantu za sakupljanje umetnite tako da naljepnice budu na bočnim stranicama kante, i uvjerite se da je umetnuta do kraja, s aktiviranim prednjim zaporom.
	Pokrovna ploča oštrice	Uvjerite se da su sva 4 svornjaka koji pričvršćuju pokrovnu ploču oštrice potpuno pritegnuta.
Materijal se ne uvodi u žlijeb.	Materijal je zaglavio u dovodnom lijevku.	Slijedite upute u ovom priručniku za čišćenje zapreka.
	Ploča za drobljenje previše je udaljena od rezne oštrice.	Slijedite upute u priručniku koje se odnose na pritezanje ploče za drobljenje.

Brezžični drobilnik je zasnovan za zagotavljanje najvišje ravni varnosti, učinkovitosti in zanesljivosti delovanja.

## NAMEN UPORABE

Brezžični drobilnik je zasnovan za zmanjševanje količine organskih odpadkov z vrta, kot so veje, vejice in listje.

Izdelek je namenjen uporabi na prostem v mirujočem položaju; oseba, ki ga upravlja, pa mora stati na tleh.

Izdelek ni namenjen za neorganski material, kovino ali material, ki je debelejši od zmogljivosti rezanja.

Izdelek je treba namestiti na stojalo, ki je priloženo, in ga je treba uporabljati skupaj s priloženo zbiralno posodo. Dovoljena ni nobena drugačna montaža kot tista, ki je opisana v tem priročniku.

Za druge namene ga ne uporabljajte.

## SPLOŠNA VARNOSTNA OPOZORILA

**⚠ OPOZORILO!** Izdelek ni namenjen za uporabo s strani otrok ali oseb z zmanjšanimi fizičnimi, duševnimi ali senzoričnimi zmoglostmi. Otroke naj oseba, ki ni upravljevec, ves čas nadzira in tako zagotovi, da se ne bodo igrali v bližini izdelka.

**⚠ OPOZORILO!** Pri uporabi izdelka je treba upoštevati osnovna varnostna navodila, da zmanjšate tveganje požara, električnega udara ali osebnih poškodb. Pred prvo uporabo pozorno preberite vsa varnostna navodila. Seznanite se s krmilnimi elementi in pravilno uporabo izdelka. Prosimo, shranite ta navodila za kasnejšo rabo.

## URJENJE

- Pred prvo uporabo izdelka se seznanite s temi navodili.
- Nikoli ne pustite, da bi izdelek uporabljali otroci ali osebe, ki niso seznanjene s temi navodili za uporabo. Lokalni predpisi se morda nanašajo tudi na minimalno starost upravitelja.
- Operater ali uporabnik izdelka je odgovoren za nesreče ali nevarnosti, povzročene drugim osebam ali njihovi lastnini.

## PRIPRAVA

- Če so v bližini ljudje, še posebej otroci ali domače živali, naprave ne uporabljajte.

- Izdelka ne uporabljajte v slabem vremenu, predvsem če obstaja nevarnost grmenja. Med uporabo izdelka vedno nosite zaščito ušes in varnostna očala.
- Med upravljanjem izdelka vedno nosite ustrezno obutev in dolge hlače. Naprave ne uporabljajte, če ste bos ali nosite odprte sandale. Ne nosite oblačil, ki so ohlapna ali z njih visijo trakovi.
- Izdelek uporabljajte izključno na odprtem kraju (tj. ne v bližini stene ali nepremičnega predmeta) in na trdni, ravni površini.
- Naprave ne uporabljajte na tlakovani ali peščeni podlagi, kjer bi lahko naokoli leteč material povzročil poškodbe.
- Preden izdelek zaženete, preverite, ali so vsi vijaki, maticice, sorniki in druga pritrdila dobro pritrjeni in da so nameščena varovala ter zbiralna posoda. Za zamenjavo poškodovanih delov ali nečitljivih oznak izdelek odnesite na pooblaščen servis.

## NEGA IN UPORABA ORODJA ZA AKUMULATOR

- Baterijo polnite le s polnilnikom, ki ga določa proizvajalec. Polnillec, ki je primeren za določeno vrsto akumulatorja, lahko pri uporabi z drugačnim akumulatorjem povzroči nevarnost.
- Baterijska orodja uporabljajte samo s predpisano vrsto baterij. Uporaba katerih koli drugih baterij ustvari tveganje poškodb in požara.
- Ko baterije ne uporabljajte, pazite, da bo odmaknjena od kovinskih predmetov, kot so papirne sponke, kovanci, ključi, žebliji, vijaki ali drugih majhni kovinski predmeti, ki bi lahko povzročili povezavo med obema terminaloma. Kratek stik zaradi povezanih terminalov baterije lahko povzroči opekline ali požar.
- Ob zlorabi baterije lahko iz nje steče tekočina. Če se po nesreči dotaknete tekočine, mesto dotika sperite z vodo. Če pride tekočina v stik z očmi, poiščite zdravstveno pomoč. Tekočina, ki izteče iz baterije, lahko povzroči vnetje ali opekline.
- Poškodovanega ali spremenjenega akumulatorja oziroma orodja ne uporabljajte. Poškodovani ali spremenjeni akumulatorji lahko delujejo na nepredvidljiv način, kar lahko povzroči požar, eksplozijo ali nevarnost telesne poškodbe.

- Akumulatorskega vložka ali orodja ne izpostavljajte ognju ali previsokim temperaturam. Ob izpostavljenosti ognju ali temperaturam, višjim od 130 °C, lahko pride do eksplozije.
- Dosledno upoštevajte navodila za polnjenje in ne polnite akumulatorja oziroma orodja izven temperaturnega razpona, predpisanega v navodilih. Ob nepravilnem polnjenju oziroma polnjenju pri temperaturah izven predpisanega razpona se lahko poškoduje akumulator in poveča nevarnost požara.

## SERVISIRANJE

- Električno orodje naj servisira usposobljena oseba, uporabljati pa sme le originalne nadomestne dele. To bo zagotovilo vzdrževanje varnostni električnega orodja.
- Nikoli ne servisirajte poškodovanih akumulatorjev. Akumulatorje lahko servisira samo proizvajalec ali pooblaščen serviser.

## VARNOSTNA OPOZORILA ZA BREŽIČNI DROBILNIK

- Med pripravljanjem izdelka za uporabo poskrbite, da je izdelek dobro pritrjen, da se ne prevrne. Če izdelek prehitro izklopite, se lahko preostali kosi materiala zagostijo v sestav rezila in povzročijo zastoj motorja ob naslednjem vklopu izdelka.
- Pred zagonom izdelka preverite dovajalno komoro in se prepričajte, da je prazna.
- Obraz in telo držite proč od dovodne odprtine.
- Ne dovolite, da bi roke ali kateri koli drug del telesa ali oblačil zašel v dovajalno komoro, izmetalni žleb ali druge gibljive dele.
- Vedno stojite trdno. Pazite, da stojite stabilno in da imate ravnotežje. Nesiahajte priliš daleko. Ob dovajanju materiala v izdelek nikoli ne stojte na nivoju, višjem od podstavka izdelka. Vedno hodite, nikoli ne tecite.
- Med uporabo izdelka se ne približujte odvajalnemu območju.
- Med dovajanjem materiala v izdelek bodite izjemno previdni, da ne dodate kosov kovine, skal, steklenic, pločevink ali drugih tujkov.
- Če rezilo udari ob kakršen koli tuj predmet ali če izdelek začne oddajati nenavadne zvoke ali tresljaje, izdelek izklopite in počakajte, da se rezila povsem zaustavijo. Odstranite baterijo. Izvedite naslednje korake:
  - Temeljito preverite, ali je izdelek poškodovan.
  - Preverite in zategnite ohlapne dele izdelka.
  - zamenjajte ali popravite vse poškodovane dele
- Obdelan material se ne sme nabirati v izmetalnem žlebu, saj to preprečuje ustrezno praznjenje ali povzroči blokado in material lahko vrže nazaj skozi dovodno odprtino.
- Če se izdelek zamaši, ga izklopite in počakajte, da se rezila povsem zaustavijo. Pred odstranjevanjem drobirja odstranite akumulator.
- Izdelka ne uporabljajte, če so varovala, pokrovi, zbiralna posoda ali druge varnostne naprave okvarjene, niso nameščene ali niso v dobrem delovnem stanju.
- Ne premikajte ali prevažajte izdelka, kot ta deluje.
- Izklopite in odstranite akumulatorski vložek. Prepričajte se, da so se vsi premikajoči se deli popolnoma zaustavili:
  - preden zapustite napravo
  - preden odstranite zamašek
  - pred preverjanjem in čiščenjem izdelka ali delom na njem,
- Ne nagibajte izdelka, ko ta deluje.
- Daljša uporaba orodja lahko privede do poškodb ali pa so poškodbe lahko hujše. Če izdelek uporabljate daljši čas, poskrbite za redne premore.
- Na noben način ne spreminjajte naprave ter ne uporabljajte delov in dodatkov, ki jih ne priporoča proizvajalec. S tem lahko povečate nevarnost hude telesne poškodbe vas ali drugih.
- Poskrbite, da v prezračevalnih odprtinah nikoli ni drobirja. Motor se lahko pregreje, kar povzroči možnost poškodb izdelka ali poveča nevarnost požara.
- Pred nameščanjem ali odstranjevanjem zbiralne posode izdelek izklopite.
- V primeru nesreče ali okvare izdelek takoj izklopite in odstranite baterijski vložek. Izdelek prenehajte uporabljati, dokler ga temeljito ne pregledajo na pooblaščenem servisu.

## VODILO ZA DROBLJENJE

Za najboljše rezultate pri drobljenju upoštevajte smernice iz spodnje tabele.

MATERIAL	NAČIN DROBLJENJA
Veje največjega premera 40 mm.	Vse stranske odrastke odrežite z vrtnarskimi škarjami, preden jih daste v dovajalni zbiralnik.
Sajenje rastlin, semen in grmičevja	Zemljo in kamne odstranite s korenin, da ne boste poškodovali rezil.
Sveže odrezano listje, živa meja in kuhinjski odpadki (tj. zeljni listi, zelenjavni odrezki ipd.)	Če ima material visoko vsebnost vlage, priporočamo, da vmes redno vstavljate suhe veje in tako pomagate potisniti material skozi rezilni sklop ter preprečite blokado.
Suhe palice in vejice	Vnašanje tega materiala na koncu drobljenja pomaga pri čiščenju vlage in rastlinskega soka iz notranjosti izdelka in z rezil.

- Pred drobljenjem naj se vrtni odpadki ne nabirajo, saj se bodo začeli kompostirati, postali preveč mokri ali bodo zamašili rezilni sklop. Suh material pripomore k praznjenju večine materiala iz odprtine za izmet. Nekaj suhih palic shranite do konca, saj bodo v pomoč pri čiščenju predela rezila.
- Pogosto preverjajte nabiranje zdrobljenega materiala.
- Ko je zbiralna posoda polna, izdelek izključite, preden ga izpraznite.
- Pri vstavljanju dolgih olesenelih vej/debel v izdelek, pazite na sunke in vibracije, ko se veje zataknejo v rezalnik. Upravljavec mora med uporabo tega izdelka vedno nositi zaščito za oči.
- Rezalna naprava lahko vleče veje/debla v izdelek. Ne ovirajte vstopa rezanega materiala, ko se začne dovajanje. Ko

dovajate material v izdelek, vedno uporabljajte zaščitne rokavice, da ne bi prišlo do kožnih raztrganin.

- Med običajno uporabo ne izklopite izdelka, dokler ves razrezan material ni odstranjen iz sestava rezalnika. Če izdelek prehitro izklopite, se lahko preostali kosi materiala zagozdijo v sestav rezila in povzročijo zastoj motorja ob naslednjem vklopu izdelka.

## TRANSPORT IN SHRANJEVANJE

- Izdelek pred shranjevanjem ali transportom izklopite, odstranite baterijski vložek in počakajte, da se oba ohladita.
- Izdelek mora biti pred shranjevanjem temeljito očiščen, shranite ga pa na suho mesto zunaj dosega otrok.
- Za transport zavarujte izdelek pred premiki ali padci, da preprečite poškodbe oseb ali izdelka.

## PRENAŠANJE LITIJEVIH BATERIJ

Baterije prevažajte v skladu z lokalnimi in državnimi uredbami in predpisi.

Upoštevajte vse posebne zahteve glede pakiranja in označevanja, kadar prevoz opravlja tretja oseba. Zagotovite, da baterije med prevozom ne morejo priti v stik z drugimi baterijami ali prevodnimi materiali tako, da zaščitite izpostavljene konektorje z izolacijo, neprevodnimi pokrovčki ali trakom. Ne prevažajte poškodovanih baterij oz. baterij, ki puščajo. Za nadaljnje informacije se obrnite na posredovalno podjetje.

## DODATNA VARNOSTNA OPOZORILA ZA BATERIJO

- Za zmanjšanje nevarnosti požara, telesne poškodbe in poškodbe izdelka zaradi kratkega stika nikoli ne potopite izdelka, baterijskega vložka ali polnilca v tekočino ali dopustite, da bi tekočina vdrila vanju. Korozivne ali prevodne tekočine, kot so slana voda, določene kemikalije in belila ali proizvodi, ki le ta vsebujejo, lahko povzročijo kratek stik.
- Baterijski vložek polnite na mestu, kjer je temperatura okolja med 10 °C in 38 °C.
- Baterijski vložek shranjujte na mestu, kjer je temperatura okolja med 0 °C in 20 °C.
- Baterijski vložek uporabljajte na mestu, kjer je temperatura okolja med 0 °C in 40 °C.

## VZDRŽEVANJE

- Uporabljajte le originalne rezervne dele in dodatke, ki jih priporoča proizvajalec. V nasprotnem primeru naprava lahko slabo deluje, povzroči poškodbe, garancija pa ne velja več.
- Pred čiščenjem, pregledom ali servisiranjem izdelka ga izklopite in počakajte, da se rezila povsem zaustavijo, in odstranite akumulator. Po določenem času drobljenja postane sistem rezil vroč. Pred čiščenjem, pregledom ali nastavljanjem počakajte, da se izdelek ohladi.
- Rezila so izredno ostra. Da se izognete poškodbam, je treba biti izredno previden in pozoren pri čiščenju ali delih v bližini rezil ali v notranjosti ohišja, kadar je zbiralna posoda odstranjena. Vedno nosite trpežne zaščitne rokavice.
- Upoštevajte, da se rezila še vedno lahko premikajo, tudi če je napajanje izključeno ali če je zaporno stikalo aktivirano.
- Da zagotovite najboljše delovanje izdelka, mora biti izdelek čist.
- Izdelek po uporabi vedno očistite. Če je možno, uporabljajte trdo krtačo za notranjost komore in žleb za praznjenje ter suho krpo za zunanji del izdelka.
- Ne dopustite, da bi se material posušil in otrdel na kateri koli površini izdelka, predvsem na rezilih. To neposredno vpliva na učinkovitost drobljenja.
- Prepričajte se, da sta dovajalni zbiralnik in odprtina za izmet čista in v njih ni odpadnega materiala.
- Prepričajte se, da so vse matice, sorniki in vijaki (razen prilagoditvenega vijaka) dobro in varno pritrjeni.
- Poškodovane ali obrabljene dele naj vam popravi ali zamenja kvalificirano osebje v pooblaščenih storitvenih centrih.
- Ne izognite se zapornim stikalom na zbiralni posodi ali sprednjem pokrovu sklopa rezila.
- Zavorna tekočina, gorivo, izdelki na osnovi nafte, prodirajoče olje ipd. nikoli ne smejo priti v stik s plastičnimi deli. Za čiščenje izdelka nikoli ne uporabljajte zavornih tekočin, bencina, izdelkov na osnovi nafte ali topil. Večina plastičnih delov je zelo dovzetna za poškodbe s strani različnih vrst raztopil.
- Izvajate lahko vzdrževalna dela, ki so opisana v tem priročniku. Druga popravila izdelka naj izvedejo na pooblaščenem servisu.

## PRILAGODITEV DROBILNE PLOŠČE

- Če izdelek ne zdrobi materiala, je morda potrebno prilagoditi drobilno ploščo ali nabrusiti rezila.
- Po določenem času je treba prilagoditi drobilno ploščo izdelka. To dosežete tako, da prilagodite drobilno ploščo, da pride v rahel stik z rezili. Prepričajte se, da je izdelek vklopljen in deluje v običajni smeri naprej.
- Prilaganje drobilne plošče pri izklopljenem motorju lahko povzroči resne poškodbe izdelka.

**OPOMBA:** Prilagoditev drobilne plošče se izvede le, če je to nujno potrebno. Prepogosto ali pretirano prilaganje drobilne plošče lahko povzroči zaustavitev izdelka.

1. Med delovanjem izdelka zavrnite prilagoditveni gumb v smeri urinega kazalca.
2. Če zaslišite stik kovine s kovino ali na dnu zbiralnika opazite drobne aluminijaste koščke, prenehajte s prilaganjem in izdelek pustite delovati 30 minut. Nato zavrtite prilagoditveni gumb v nasprotni smeri urinega kazalca za 0,5 do 1 obrat, da ni več v stiku z drobilno ploščo, pri čemer zagotovite odmik 1 mm.

**OPOMBA:** Vsakršna prilaganja dokončajte počasi, da preprečite morebitne poškodbe izdelka. Če ploščo prilagodite v preveliki meri, lahko resneje poškodujete izdelek.

## PRILAGODITEV DROBILNE PLOŠČE Z UPORABO NAČINA UMERJANJA

**OPOMBA:** Prepričajte se, da je izdelek izklopljen.

1. Ko je izdelek izklopljen, pridržite gumb za način umerjanja, nato pa pritisnite gumb Start. Rezilo bo pričelo z umerjanjem.
2. Gumb za prilaganje drobilne plošče zavrtite v smeri urinega kazalca, dokler se izdelek ne izklopi.

**OPOMBA:** Gumb zavrtite v nasprotni smeri urinega kazalca za 0,5 do 1 obrat, dokler drobilna plošča in rezila niso več v stiku.

3. Pritisnite gumb Start, da začnete s ponovnim dovajanjem materiala v izdelek.

## SPOZNAJTE SVOJ IZDELEK

Glejte stran 185

1. Reža za baterijo
2. Gumb za vzratno delovanje
3. Gumb za način umerjanja
4. Gumb stop
5. Dovajalni žleb
6. Gumb Start
7. Vrata baterije
8. Gumb za prilagajanje drobilne plošče
9. Gumb za sprostitev kovinskega okvirja
10. Kovinski okvir
11. Zapah
12. Os
13. Bat za material
14. Kolo
15. Razcepni zatič
16. Podložka
17. Pokrovček pesta
18. Priročnik za uporabo
19. Navorni ključ
20. Zbiralna posoda
21. Akumulator
22. Polnilec

## SIMBOLI NA IZDELKU



Pred uporabo izdelka preberite in razumite vsa navodila. Upoštevajte vsa opozorila in varnostna navodila.



Pazite na izvržene ali leteče predmete. Prisotni (še posebej otroci in živali) naj bodo med obratovanjem oddaljeni vsaj 15 m od delovnega območja.



Opozorilo! Pred vzdrževanjem nastavljanjem in čiščenjem odstranite akumulator.



Nevarnost! Vrtljiva rezila. Medtem ko je izdelek v teku, imejte roke in noge izven odprtina.



Nosite zaščito za oči in ušesa.



Ne uporabljajte kot stopnico.



Pred dotikanjem sestavnih delov izdelka počakajte, da se povsem ohladijo.



Zajamčena raven zvočne moči



Nadenite si nedrseče zaščitne rokavice za težka dela.



Ko je izdelek izklopljen in drča neovirana, pritisnite gumb za umerjanje, da začnete umerjanje rezila.



Pritisnite za vklop in ponovno pritisnite za spreminjanje hitrosti.



Držite gumb za vzratno delovanje.



Evropski znak skladnosti



Britanski znak skladnosti



EurAsian oznaka o skladnosti



Ukrajinski znak skladnosti



Način umerjanja

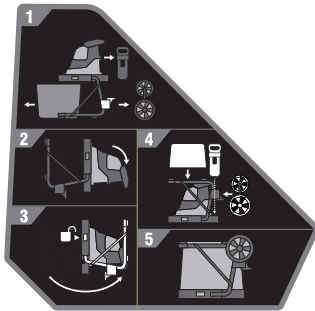


Preobremenitev



Zbiralna posoda ni vstavljena.





1. Odstranite os kolesa, posodo in bat.
2. Izdelek položite na tla z ročaji, obrnjenimi navzdol.
3. Pritisnite gumb za sprostitev kovinskega okvirja in zložite noge, da se zaklenejo v ustreznem položaju.
4. Os kolesa, posodo in bat postavite na mesto za shranjevanje.
5. Izdelek shranjujte na hladnem, suhem in dobro prezračevanem mestu.

Odpadnih baterij in odpadne električne in elektronske opreme ne odlagajte med nesortirane gospodinjne odpadke. Odpadne baterije in odpadno električno in elektronsko opremo je treba zbirati ločeno. Odpadne baterije, odpadne akumulatorje in svetlobne vire je treba odstraniti iz opreme. Glede recikliranja in zbirališča se posvetujte z lokalnim organom ali prodajalcem. Skladno z lokalnimi predpisi morajo trgovci na drobno odpadne baterije in odpadno električno in elektronsko opremo morda brezplačno prevzeti. Vaš prispevek k ponovni uporabi in recikliranju odpadnih baterij in odpadne električne in elektronske opreme pomaga zmanjšati zahteve po surovinah. Odpadne baterije, predvsem tiste, ki vsebujejo litij, in odpadna električna in elektronska oprema vsebujejo dragocene materiale in materiale, ki jih je mogoče reciklirati, in lahko v primeru, da se ne odložijo na način, skladen z okoljem, negativno vplivajo na okolje in zdravje ljudi. Če so v odpadni opremi shranjeni osebni podatki, jih izbrišite.



## SIMBOLI V TEM PRIROČNIKU



Deli ali dodatki so na prodaj ločeno



Opomba



Opozorilo



Uzamknutie



Odklep

## ODPRAVLJANJE NAPAK

PROBLEM	VZROK	DEJANJE
Motor ne teče.	Temperaturna preobremenitev	Počakajte 15 minut, da se izdelek ohladi. To se lahko zgodi, če je temperatura okolja visoka in izdelek neprekinjeno uporabljate brez odmora.
	Akumulator	Prepričajte se, da je akumulator povsem napolnjen, na njem ni znakov vdora vode in ni poškodovan. Baterijo preskusite v drugem orodju, da se prepričate, da ustrezno deluje.
	Zbiralna posoda	Zbiralno posodo vstavite glede na oznake ob strani posode in poskrbite, da je povsem vstavljena in sprednji zaklep zaskočen.
Material se ne dovaja v drčo.	Plošča ščitnika rezila	Prepričajte se, da so vsi 4 vijaki, s katerimi je pritrjena plošča ščitnika rezila, povsem priviti.
	Material je zagozden v odvajalnem vodu.	Upoštevajte navodila v priročniku za odpravljanje ovir.
	Drobilna plošča je predaleč od rezila.	Po navodilih v priročniku napnite drobilno ploščo.

Pri návrhu vášho akumulátorového drviča boli prvoradé bezpečnosť, výkon a spoľahlivosť.

## ÚČEL POUŽITIA

Akumulátorový drvič je navrhnutý na redukovanie organického záhradného odpadu, ako sú konáre, vetvy a lístie.

Tento výrobok je určený na vonkajšie používanie, v stacionárnej polohe, pričom obsluha stojí na zemi.

Výrobok nie je určený na neorganické materiály, kovy alebo materiály, ktoré presahujú jeho maximálnu reznú kapacitu.

Produkt musí byť namontované na dodaný stojan a musí sa používať s dodanou zbernou kazetou. Musí sa namontovať len spôsobom uvedeným v tejto príručke.

Nepoužívajte na žiadne iné účely.

## VŠEOBECNÉ BEZPEČNOSTNÉ VÝSTRAHY

**⚠ VAROVANIE!** Produkt nie je určený na použitie deťmi alebo osobami so zníženými fyzickými, duševnými alebo zmyslovými schopnosťami. Malé deti musia byť neustále pod dozorom inej ako obsluhujúcej osoby, aby sa nehrali s produktom alebo v jeho blízkosti.

**⚠ VAROVANIE!** Pri používaní produktu je potrebné dodržiavať základné bezpečnostné opatrenia, aby sa znížilo riziko požiaru, zásahu elektrickým prúdom a poranenia osôb. Pred použitím produktu si dôkladne prečítajte všetky tu uvedené bezpečnostné pokyny. Oboznámte sa s ovládacími prvkami a správnu obsluhou produktu. Odložte si tento návod na neskoršie použitie.

## ŠKOLENIE

- Pred prevádzkovaním výrobku sa oboznámte s pokynmi.
- Nikdy nedovoľte používať produkt deťom ani osobám, ktoré nie sú oboznámené s týmto návodom. Miestne platné predpisy môžu obmedzovať dobu použitia kosačky.
- Obsluha alebo používateľ stroja sú zodpovední za nehody alebo škody na majetku a za nebezpečenstvo vzniknuté pri prevádzke stroja.

## PRÍPRAVA

- Keď sa v blízkosti nachádzajú iné osoby, najmä deti alebo domáce zvieratá, nepoužívajte nástroj.
- Výrobok nepoužívajte za zlých poveternostných podmienok, hlavne ak existuje riziko výskytu bleskov. Pri prevádzkovaní výrobku celý čas používajte ochranu sluchu a bezpečnostné okuliare.
- Pri práci s produktom vždy používajte pevnú obuv a dlhé nohavice. Nepoužívajte nástroj bosí alebo v otvorených sandáloch. Nenoste odev, ktorý je voľný alebo má voľne visiace šnúrky či pútka.
- Výrobok používajte iba v otvorenom priestore (napr. nie blízko steny alebo pevného predmetu) a na pevnom, rovnom povrchu.
- Nepracujte so strojom na dláždenom alebo štrkovom povrchu, kde by vyrážaný materiál mohol spôsobiť poranenie.
- Pred spustením produktu skontrolujte, či sú všetky skrutky, matice, maticové skrutky a ostatné upevňovacie prvky bezpečne zaistené a či sú nasadené kryty a zberná kazeta. Odneste výrobok do autorizovaného servisného strediska na výmenu poškodených dielov alebo nečitateľných štítkov.

## OŠETROVANIE A ÚDRŽBA AKUMULÁTOROVÉHO NÁRADIA

- Nabíjajte len s použitím nabíjačky špecifikovanej výrobcom. Nabíjačka, ktorá je vhodná pre jeden typ batérie, môže predstavovať riziko pri použití s iným typom batérie.
- Používajte len mechanické nástroje so špecificky určenými jednotkami akumulátorov. Pri použití iných jednotiek akumulátora vzniká riziko poranenia a požiaru.
- Keď sa jednotka akumulátora nepoužíva, nedávajte ju do blízkosti iných kovových objektov, ako sú papierové sponky, mince, kľúče, klince, skrutky či iné malé kovové predmety, ktoré by mohli skratovať svorky. Pri skratovaní svoriek akumulátora môže dôjsť k popáleninám alebo požiaru.
- Za nevhodných podmienok, keď by z batérie vytekala kvapalina, predchádzajte kontaktu s ňou. Pri náhodnom kontakte opláchnite vodou. Ak tekutina zasiahne

oči, dodatočne vyhľadajte lekársku pomoc. Tekutina vytečená z akumulátora môže spôsobiť podráždenie alebo popálenie.

- Poškodenú alebo upravenú súpravu batérií alebo náradie nepoužívajte. Poškodené alebo upravené batérie môžu vykazovať nepredvídateľné správanie s následkom požiaru, výbuchu alebo poranenia.
- Súpravu batérií ani náradie nevystavujte účinkom ohňa ani nadmernej teploty. Vystavenie účinkom ohňa alebo teploty nad 130 °C môže spôsobiť výbuch.
- Dodržiavajte všetky pokyny na nabíjanie a batériu ani náradie nenabíjajte mimo rozsahu teplôt, ktorý je uvedený v pokynoch. Nesprávne nabíjanie alebo nabíjanie pri teplotách mimo uvedeného rozsahu môže poškodiť batériu a zvýšiť riziko vzniku požiaru.

## OPRAVY

- Servis mechanického nástroja prenehajte kvalifikovanému servisnému pracovníkovi s použitím len identických náhradných dielov. Takto zachováte bezpečnosť mechanického nástroja.
- Nikdy nevykonávajte servis poškodených súprav batérií. Servis súprav batérií sme vykonávať len výrobca alebo autorizovaní poskytovatelia servisu.

## BEZPEČNOSTNÉ VÝSTRAHY PRE AKUMULÁTOROVÝ DRVIČ

- Počas nastavenia výrobku na použitie sa ubezpečte, že je výrobok zaistený tak, aby sa neprevrátil. Ak vypnete výrobok príliš rýchlo, zvyšné kúsky materiálu môžu upchať zostavu nožov a motor sa môže zaseknúť, keď výrobok znovu zapnete.
- Pred spustením výrobku vizuálne skontrolujte, či je podávacia komora prázdna.
- Nedávajte tvár a telo do blízkosti vstupného otvoru.
- Dávajte pozor, sa dovnútra podávacej komory, vyprázdňovacieho žľabu alebo do blízkosti akéhokoľvek pohybujúceho sa dielu, nedostali ruky alebo akékoľvek iné časti tela či odevu.
- Vždy majte pevnú oporu nôh. Neustále zachovávajte pevnú oporu nôh a rovnováhu. Nepreceňujte sa. Pri podávaní materiálu do výrobku nikdy nestojte na vyššej úrovni ako je základňa výrobku. Chodte krokom, nikdy nebežte.

- Vždy stojte mimo zóny vyprázdňovania, keď obsluhujete tento výrobok.
- Pri podávaní materiálu do výrobku dávajte veľký pozor, aby neobsahoval kusy kovu, kamene, fľaše, plechovky či iné cudzie predmety.
- Ak rezný mechanizmus narazí na cudzí predmet alebo ak sa výrobok spustí s vydávaním nezvyčajného hluku alebo vibrácií, výrobok vypnite a počkajte na úplne zastavenie nožov. Vyberte jednotku akumulátora. Vykonajte nasledujúce kroky:
  - Pozorne skontrolujte výrobok, či nie je poškodený.
  - Všetky súčasti výrobku skontrolujte a utiahnite.
  - všetky poškodené diely vymeňte alebo opravte
- Nedovoľte, aby sa spracovaný materiál hromadil vo vyprázdňovacom žľabe – mohol by brániť správne vyprázdňovaniu alebo spôsobiť zablokovanie a následne spôsobiť spätný náraz materiálu cez otvor prívodu.
- Ak sa výrobok upchá, výrobok vypnite a počkajte na úplne zastavenie nožov. Pred odstránením nečistôt vyberte batériu.
- Produkt nikdy nepoužívajte, ak kryty, plášte, zberná kazeta či iné bezpečnostné zariadenie sú chybné, nie sú nasadené alebo nie sú v dobrom prevádzkovom stave.
- Nepremiestňujte ani neprepravujte výrobok, kým je spustený.
- Vypnite a odpojte súpravu batérií. Skontrolujte, či sa všetky pohyblivé diely úplne zastavili:
  - pred ponechaním výrobku bez dozoru
  - pred odstránením zablokovania
  - pred kontrolou, čistením alebo prácou na zariadení
- Počas prevádzky produkt nenakláňajte.
- Pri dlhodobom alebo zvýšenom používaní môže dôjsť k zraneniam. Keď používate výrobok dlhší čas, robte si pravidelné prestávky.
- Zariadenie žiadnym spôsobom neupravujte ani nepoužívajte diely či príslušenstvo, ktoré neodporúča výrobca. Môže to zvýšiť riziko vážneho poranenia vás alebo iných osôb.

- Udržujte vetracie otvory čisté, bez úlomkov. Motor sa môže prehriať, čo môže viesť k poškodeniu výrobku alebo zvýšiť riziko požiaru.
- Pred pripojením alebo vybratím zbernej nádoby vypnite produkt.
- V prípade nehody alebo poškodenia okamžite výrobok vypnite a vyberte z neho súpravu batérií. Nepoužívajte výrobok znovu, pokiaľ nebude úplne skontrolovaný autorizovaným servisným strediskom.

## SPRIEVODCA DRVENÍM

Najlepšie výsledky drvenia dosiahnete, keď sa budete riadiť pokynmi v nasledujúcej tabuľke.

MATERIÁL	METÓDA DRVENIA
Konáre do priemeru 40 mm.	Pred podaním do podávacieho násypníka s piestom odstrihnite bočné výrastky.
Vrstvenie rastlín, buriny a krovinatého porastu	Korene oklepne od hliny a kamenia, aby nedošlo k poškodeniu ostrí.
Čerstvo narezané lístie, kroviny a kuchynský odpad (napr. kapustné listy, zeleninové šupky a pod.)	Pri akomkoľvek materiáli s vysokým obsahom vlhkosti sa odporúča v pravidelných intervaloch podávať zopár suchých paličiek, ktoré pomôžu pretlačiť materiál cez rezáciu zostavu a zabrániť jej upchatiu.
Suché paličky a vetvy	Keď ich vložíte na konci drvenia, pomôžete tak vyčistiť vlhkosť a rastlinnú miazgu zvnútra produktu a rezacej jednotky.

- Dbajte na to, aby sa pred drvením nahromadil záhradný odpad, inak začne kompostovať, príliš zvlhne a upchá rezáciu zostavu. Suchý materiál pomôže vyčistiť vyhadzovací žľab od väčšiny materiálov. Na koniec si nechajte nejaké suché paličky, ktoré pomôžu vyčistiť priestor ostrí.

- Pravidelne kontrolujte hromadený drevený materiál.
- Keď je zberná kazeta plná, pred vyprázdnením vypnite produkt.
- Pri podávaní dlhých drevených konárov či stoniek do produktu dávajte pozor na švihnutie a vibrácie, keď ich zachytí drvička. Obsluhujúci musí pri používaní produktu vždy používať ochranu zraku.
- Rezacie zariadenie má tendenciu vŕhovať konáre/stonky do produktu. Nepokúšajte sa brániť vstupu rezaného materiálu, keď už začalo podávanie. Vždy používajte rukavice, aby nedošlo k rozodratiu kože pri podávaní materiálu do produktu.
- Pri bežnom používaní nevypínajte výrobok, kým všetok nadrvený materiál nevyjde zo zostavy nožov. Ak vypnete výrobok príliš rýchlo, zvyšné kusy materiálu môžu upchať zostavu nožov a motor sa môže zaseknúť, keď výrobok znovu zapnete.

## PREPRAVA A SKLADOVANIE

- Pred uskladnením alebo dopravou výrobok vypnite, vyberte z neho batériu a nechajte ich vychladnúť.
- Dbajte na dôkladné vyčistenie produktu predtým, ako ho odložíte na čisté a suché miesto a zabezpečíte ho mimo dosahu detí.
- Pri preprave zaistite produkt pred pohybom alebo pádom, aby nedošlo k poraneniu osôb alebo poškodeniu produktu.

## PREPRAVA LÍTIOVÝCH AKUMULÁTOROV

Akumulátory prepravujte v súlade s miestnymi smernicami a nariadeniami.

Keď akumulátory prepravuje tretia strana, dodržiavajte všetky požiadavky na balení a označení. Zabezpečte, aby počas prepravy akumulátory neprišli do kontaktu s inými akumulátormi ani vodivými materiálmi – chráňte obnažené konektory pomocou izolácie, nevodivými viečkami alebo páskou. Neprepravujte akumulátory, ktoré sú prasknuté alebo vytekajú. Ďalšie pokyny zistíte u nasledujúcej spoločnosti.

## DOPLNKOVÉ BEZPEČNOSTNÉ VÝSTRAHY PRE BATÉRIU

- Aby ste znížili riziko požiaru alebo poškodenia výrobku skratom, nikdy výrobok, akumulátor ani nabíjačku neponárajte do kvapaliny ani nedovoľte, aby sa do nich kvapalina dostala. Korodujúce alebo vodivé kvapaliny, ako je slaná voda, určité chemikálie a bieliace prostriedky alebo výrobky, ktoré obsahujú bielidlo, môžu spôsobiť skrat.
- Akumulátor nabíjajte len na mieste s teplotou okolia v rozsahu 10 °C až 38 °C.
- Akumulátor skladujte na mieste s teplotou okolia v rozsahu 0 °C až 20°C.
- Akumulátor používajte na mieste, kde je teplota okolia v rozsahu 0 °C až 40 °C.

## ÚDRŽBA

- Používajte len originálne náhradné diely, príslušenstvo a nástavce výrobcu. V opačnom prípade môže dôjsť k možnému poraneniu, nedostatočnému výkonu a strate platnosti záruky.
- Pred čistením, kontrolou alebo servisom výrobku, výrobok vypnite, počkajte na úplne zastavenie nožov a vyberte batériu. Po určitom čase drvenia bude rezací mechanizmus horúci. Pred čistením, kontrolou alebo nastavením ho nechajte vychladnúť.
- Rezné ostria sú veľmi ostré. Aby nedošlo k poraneniu, pri práci v blízkosti ostrí alebo vnútri otvoreného krytu buďte veľmi pozorní a opatrní, keď je zberná kazeta demontovaná. Vždy používajte pevné ochranné rukavice.
- Myslite na to, že rezacie zariadenia sa ešte môžu pohybovať, aj keď je napájanie vypnuté alebo je aktivovaný ochranný spínač.
- Ak chcete zabezpečiť najlepší výkon zariadenia, musíte ho udržiavať v čistote.
- Produkt po použití bezodkladne vyčistite. Vždy, keď je to možné, pomocou tvrdej kefy vyčistite vnútro podávačich a vyprázdňovacích žľabov a pomocou suchej tkaniny vonkajšie plochy produktu.
- Nedovoľte, aby materiál zaschol alebo stvrdol na niektorom z povrchov výrobku,

ale najmä na nožoch. To má priamy vplyv na výkon drvenia.

- Dbajte na to, aby podávačí násypník a vyhadzovací žľab boli vždy čisté a bez odpadového materiálu.
- Skontrolujte, že sú všetky matice, svorníky a skrutky (okrem nastavovacej skrutky) utiahnuté a zaistené.
- Všetky poškodené alebo opotrebované diely dajte ihneď opraviť alebo vymeniť kvalifikovanému personálu v autorizovanom servisnom centre.
- Nikdy sa nepokúšajte vyradiť ochranné spínače na zbernej kazete alebo predný kryt na zostave nožov.
- Dbajte na to, aby do kontaktu s plastovými dielmi nikdy neprišli do kontaktu brzdové kvapaliny, benzín, ropné produkty, prenikavé oleje a pod. Na čistenie výrobku nikdy nepoužívate brzdovú kvapalinu, benzín, výrobky na báze ropy ani rozpúšťadlá. Veľa plastov je citlivých na poškodenie rôznymi typmi komerčných rozpúšťadiel a môžu byť nimi poškodené.
- Môžete vykonávať úkony údržby popísané v tomto návode. Ostatné opravy zverte autorizovanému servisnému stredisku.

## NASTAVENIE DRVIAČEJ DOKY

- Ak výrobok nedokáže rozdrviť materiál, drviaca doska môže potrebovať nastaviť alebo je potrebné nabrúsiť čepele.
- Drviacu dosku výrobku treba po určitom čase nastaviť. Môžete to dokončiť nastavením drviacej dosky tak, aby bola v miernom kontakte s čepeľami. Zabezpečte, aby výrobok bol zapnutý a pracoval bežným chodom dopredu.
- Nastavovanie drviacej dosky pri vypnutom motore by mohlo viesť k vážnemu poškodeniu výrobku.

**POZNÁMKA:** O nastavenie drviacej dosky by ste sa mali pokúsiť len v prípade, že je to absolútne nutné. Príliš časté nastavovanie alebo prílišné vysunutie drviacej dosky by mohlo spôsobiť, že výrobok prestane pracovať.

1. Kým je výrobok spustený, otočte regulačný gombík v smere hodinových ručičiek.

2. Ak začujete zvuk kontaktu kovu o kov alebo na spodku zbernej nádoby uvidíte jemné hliníkové piliny, prestaňte s nastavovaním a nechajte výrobok bežať asi 30 sekúnd. Potom otáčajte regulačný gombík proti smeru hodinových ručičiek o 0,5 – 1,0 otáčku dotedy, kým sa už nebude dotýkať drviacej dosky a vznikne medzera 1 mm.

**POZNÁMKA:** Všetky nastavenia vykonávajte pomaly, aby nedošlo k poškodeniu produktu. Príliš silné nastavenie dosky môže spôsobiť vážne poškodenie produktu.

### NASTAVENIE DRVIACEJ DOSKY POMOCOU KALIBRAČNÉHO REŽIMU

**POZNÁMKA:** Presvedčte sa, že je výrobok vypnutý.

1. Keď je výrobok vypnutý, podržte tlačidlo kalibračného režimu a potom stlačte spúšťacie tlačidlo. Čepeľ sa začne kalibrovať.
2. Otáčajte gombíkom na nastavenie drviacej dosky v smere hodinových ručičiek až kým sa výrobok nevyklopí.

**POZNÁMKA:** Otáčajte gombík proti smeru hodinových ručičiek o 0,5 – 1,0 otáčku až kým sa nebudú drviaca doska a čepele dotýkať.

3. Stlačením spúšťacieho tlačidla sa materiál vráti späť do výrobku.

### OBOZNÁMTE SA S VAŠIM PRODUKTOM

Pozrite stranu 185.

1. Otvor na batériu
2. Tlačidlo cúvania
3. Tlačidlo režimu kalibrácie
4. Tlačidlo zastavenia
5. Podávací žľab
6. Spúšťacie tlačidlo
7. Dvierka priečinka na akumulátor
8. Gombík nastavenia drviacej doky
9. Tlačidlo na uvoľnenie oceľového rámu
10. Kovový rám
11. Západka
12. Os
13. Posúvač materiálu
14. Koleso
15. Rozdeľovací čap
16. Podložka
17. Kryt náboja
18. Návod na obsluhu
19. Momentový kľúč
20. Zberná nádoba
21. Batéria
22. Nabíjačka

### SYMBOLY NA PRODUKTE



Pred používaním výrobku si prečítajte a pochopte všetky pokyny. Dodržujte všetky výstrahy a bezpečnostné pokyny.



Pozor na vymrštené alebo odletujúce objekty. Všetky okolostojace osoby (najmä deti a domáce zvieratá) musia stáť minimálne 15 m od miesta práce



Varovanie! Pred údržbou, nastavovaním a čistením odpojte batériu.



Nebezpečenstvo! Otáčajúce sa čepele. Nedávajte ruky ani nohy do otvorov, keď je produkt spustený.



Používajte chrániče zraku a sluchu.



Nepoužívajte ako schod.



Počkajte na úplné zastavenie všetkých súčastí výrobku, až potom sa ich môžete dotknúť.



Garantovaná úroveň hluku



Používajte protišmykové odolné ochranné rukavice.



Keď je výrobok vypnutý a žľab je čistý, stlačením kalibračného tlačidla spustíte kalibráciu nožov.



Stlačením zapnete a opätovným stlačením prepnete rýchlosti.



Podržaním tlačidla spustíte reverzný režim.



Európske označenie zhody



Britské označenie zhody



Euroázijská značka zhody



Ukrajinské označenie zhody



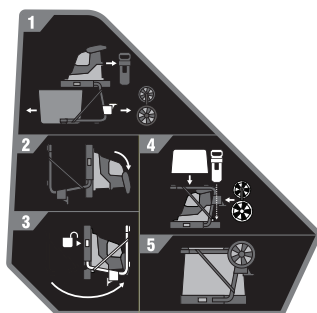
Režim kalibrácie



Preťaženie



Zberná nádoba nie je vložená



1. Odoberte os s kolesami, nádobu a posúvač.
2. Položte výrobok na zem rúčkami nadol.
3. Stlačte tlačidlo na uvoľnenie kovového rámu a sklopte nohy, kým nezapadnú na miesto.
4. Uložte os s kolesami, nádobu a posúvač na ich miesto uskladnenia.
5. Výrobok skladujte na chladnom, suchom a dobre vetranom mieste.

Odpadové batérie a akumulátory a odpadové elektrické a elektronické zariadenia nelikvidujte ako netriedený komunálny odpad. Odpadové batérie a akumulátory a odpadové elektrické a elektronické zariadenia sa musia zbierať separovane. Odpadové batérie, odpadové akumulátory a svetelné zdroje treba z výroby vybrať. Pokyny na recykláciu a miesta recyklácie zistíte u svojho miestneho orgánu alebo predajcu. Podľa miestnych predpisov môžu mať maloobchodníci povinnosť bezplatne prevziať odpadové batérie a akumulátory a odpadové elektrické a elektronické zariadenia. Váš príspevok k opätovnému použitiu a recyklácii odpadových batérií a akumulátorov a odpadových elektrických a elektronických zariadení pomáha znižovať dopyt po surovinách. Odpadové batérie a akumulátory, konkrétne tie, ktoré obsahujú lítium, a odpadové elektrické a elektronické zariadenia obsahujú cenné a recyklovateľné materiály, ktoré môžu mať nepriaznivý vplyv na životné prostredie a ľudské zdravie, ak sa nelikvidujú ekologicky vhodným spôsobom. Odstráňte prípadné osobné údaje z odpadového zariadenia.



## SYMBOLY V TOMTO NÁVODE



Diely alebo príslušenstvo predávané samostatne



Poznámka



Varovanie



Zamknuté



Odomknuté



RIEŠENIE PROBLÉMOV		
PROBLÉM	PRIČINA	AKCIA
Motor nebeží.	Tepločné preťaženie	Výrobok nechajte 15 minút vychladnúť. Toto môže nastať, ak je teplota okolia vysoká a výrobok sa používal nepretržite bez prestávky.
	Batéria	Skontrolujte, či je batéria plne nabitá, či nemá známky vniknutia vody a či nie je poškodená. Vyskúšajte batériu v inom nástroji, aby ste sa uistili, že funguje správne.
	Zberná nádoba	Zbernú nádobu vložte podľa štítkov na bočnej strane nádoby a uistite sa, že je úplne zasunutá so zaisteným predným zámkom.
Materiál sa neposúva do žľabu.	Krycia doska noža	Skontrolujte, či sú všetky 4 skrutky, ktoré upevňujú kryciu dosku noža, úplne dotiahnuté.
	Materiál je zaseknutý v podávacom lieviku.	Pri čistení prekážok postupujte podľa pokynov v tomto návode.
	Drviaca doska je príliš ďaleko od rezného ostria.	Postupujte podľa pokynov v návode na napínanie drviacej dosky.

Безопасността, работните характеристики и надеждността имат най-висок приоритет при проектирането на Вашата безжична дробилка.

## ПРЕДНАЗНАЧЕНИЕ

Безжичната дробилка е предназначена за намаляване на органичните градински отпадъчни материали, като например клони, вейки и листа.

Уредът е предназначен за употреба на открито в неподвижна позиция от изправен оператор, стъпил на земята.

Уредът не е предназначен за неорганични материали, метал или материали, които надвишават максималният му капацитет на рязане.

Уредът трябва да бъде монтиран върху предоставената стойка и да бъде използван с предоставената кутия за раздробени материали. Монтирането не трябва да се извършва по начин, различен от показания в настоящото ръководство.

Не го използвайте за никакви други цели.

## ОБЩИ ПРЕДУПРЕЖДЕНИЯ ЗА БЕЗОПАСНОСТ

**⚠ ПРЕДУПРЕЖДЕНИЕ!** Продуктът не е предназначен за използване от деца или от лица с намалени физически, сетивни или умствени способности. Лице, различно от оператора, трябва постоянно да държи под надзор малките деца, за да не се допуска те да си играят с продукта или в близост до него.

**⚠ ПРЕДУПРЕЖДЕНИЕ!** При използване на уреда трябва винаги да се вземат основни мерки за безопасност, за да се намали рискът от пожар, токов удар или физическо нараняване. Прочетете внимателно всички инструкции за безопасност, преди да започнете да използвате продукта. Запознайте се с контролите за управление и правилното използване на продукта. Съхранявайте ръководството за експлоатация на сигурно място, за да можете да го ползвате и по-късно.

## ОБУЧЕНИЕ

- Запознайте добре се с инструкциите, преди да се опитвате да използвате продукта.

- Никога не позволявайте продуктът да бъде използван от деца или от лица, непознати с настоящите инструкции. Местните наредби могат да налагат ограничения за възрастта на оператора.
- Операторът или потребителят на продукта носи отговорност за инциденти или рискове, възникнали спрямо други лица или тяхна собственост.

## ПОДГОТОВКА

- Никога не използвайте инструмента, докато наблизо има хора, особено деца или домашни любимци.
- Не използвайте уреда при лоши метеорологични условия, особено когато има риск от мълнии. Носете антифони и предпазни очила през цялото време, докато работите с продукта.
- Когато използвате продукта, винаги носете здрави затворени обувки и дълъг панталон. Не използвайте инструмента, ако сте боси или носите отворени сандали. Избягвайте носенето на широки дрехи или дрехи с висящи шнурове или вратовръзки.
- Работете с продукта само на открити пространства (напр. не в близост до стена или непреместваеми обекти) и на твърда и равна повърхност.
- Не използвайте тази машина на павирана или чакълеста повърхност, където изхвърлен материал може да причини нараняване.
- Преди да стартирате продукта, проверете дали всички винтове, гайки, болтове и други скрепителни елементи са правилно застопорени, а също и дали предпазителите и кутията за раздробени материали са по местата си. Отнесете уреда в упълномощен сервизен център за подмяна на повредени или нечетливи етикети.

## ИЗПОЛЗВАНЕ И ОБСЛУЖВАНЕ НА БАТЕРИЯТА

- Презареждайте единствено със зарядното устройство, посочено от производителя. Може да е рисковано да се използва зарядно устройство, подходящо за един тип батерии, за зареждане на друга батерия.
- Използвайте електрически инструменти с батерии единствено със специално

предназначените за тях батерии. Използването на всякакви други батерии може да създаде риск от нараняване и пожар.

- Когато батерията не се използва, съхранявайте я далеч от други метални обекти, като например кламери, монети, ключове, гвоздеи, гайки или други малки метални обекти, които могат да направят връзка между клемите. Късото съединение от клемите може да доведе до изгаряния или пожар.
- При неправилно използване батерията може да отдели течност; избягвайте контакт. Ако случайно настъпи контакт, промийте с вода. Ако течността влезе в контакт с очите, потърсете незабавно медицинска помощ. Отделената от батерията течност може да причини възпаление или изгаряния.
- Не използвайте акумулаторна батерия или инструмент, които са повредени или променени по някакъв начин. Повредените или променени батерии могат да работят по непредсказуем начин, което да доведе до пожар, взрив или опасност от наранявания.
- Не излагайте акумулаторна батерия или инструмент на огън или прекалено висока температура. Излагането на огън или на температура над 130 °C може да причини взрив.
- Следвайте всички инструкции за зареждане и не зареждайте акумулаторната батерия или инструмента извън температурния диапазон, посочен в инструкциите. Неправилното зареждане или зареждането при температури извън посочения диапазон може да повреди батерията и да увеличи риска от пожар.

## СЕРВИЗНО ОБСЛУЖВАНЕ

- Ремонтът на електрическите инструменти трябва да се извършва само от квалифицирани специалисти и само с използването на оригинални резервни части. По този начин се гарантира поддържането на безопасност при работа с електрическия инструмент.
- Никога не обслужвайте повредени акумулаторни батерии. Обслужването на акумулаторните батерии трябва да се извършва само от производителя или от оторизирани доставчици на услуги по сервизно обслужване.

## ПРЕДУПРЕЖДЕНИЯ ЗА БЕЗОПАСНОСТ ПРИ РАБОТА С БЕЗЖИЧНАТА ДРОБИЛКА

- Докато настройвате продукта за употреба, се уверете, че е обезопасен, така че да не се преобърне. Ако продуктът се изключи твърде бързо, оставащите парчета материал може да задръстят модула с остриета и да блокират мотора при повторното включване на продукта.
- Преди да стартирате продукта, погледнете в камерата за подаване, за да се уверите, че е празна.
- Дръжте лицето и тялото си на безопасно разстояние от входящия отвор.
- Внимавайте ръцете или други части на тялото или дрехите ви да не попадат във фунията за пълнене или улея за изхвърляне, както и да не се доближават до движещите се елементи.
- Винаги стъпвайте внимателно и стабилно. Винаги стъпвайте стабилно по време на работа и пазете равновесие. Не се протягайте, за да работите на трудно достижими места. Никога не стойте по-високо от основата на продукта, когато подавате материали в него. Вървете, никога не тичайте, когато косите.
- Винаги стойте настрана от зоната на изхвърляне на отпадъци, докато работите с продукта.
- Когато подавате материали в продукта, бъдете изключително внимателни, за да не подадете парчета от метал, камъни, бутилки, кутии или други чужди предмети.
- Ако режещият механизъм засегне чужди предмети или ако продуктът започне да издава необичаен шум или да генерира вибрации, изключете го и изчакайте, докато остриетата спрат напълно. Отстранете батерията. Изпълнете следните стъпки:
  - Внимателно проверете продукта за повреда.
  - Проверете и затегнете всички разхлабени части на продукта.
  - заменете или ремонтирайте всички повредени детайли
- Не позволявайте в улея за изхвърляне да се натрупват раздробени материали; това възпрепятства правилното

изхвърляне и може да доведе до блокиране на уреда или до изхвърчане на материали в обратна посока през захранващата фуния.

- Ако продуктът се задръсти, изключете го и изчакайте, докато остриетата спрат напълно. Преди да почистите остатъците, махнете акумулаторната батерия.
- Никога не работете с продукта, ако предпазителите, капаците, кутията за раздробени материали или други предпазни елементи са дефектни, не са поставени на местата им или не са в добро функционално състояние.
- Не премествайте и не транспортирайте продукта, докато работи.
- Изключете и извадете акумулаторната батерия. Уверете се, че всички движещи се части са спрели напълно:
  - преди оставяне на изделиято без надзор
  - преди почистване на запушване
  - преди проверка, почистване или работа по уреда
- Не накланяйте продукта, докато работи.
- Продължителното използване на инструмента може да доведе до наранявания или влошаване. Когато използвате продукта продължително време, уверявайте се, че правите редовни почивки.
- Не модифицирайте машината по никакъв начин и не използвайте части и принадлежности, които не са препоръчани от производителя. Това може да увеличи риска от сериозно нараняване на Вас или на други лица.
- Винаги се уверявайте, че във вентилационните отвори няма отпадъци. Моторът може да прегрее, което да доведе до евентуална повреда на продукта или до увеличаване на риска от пожар.
- Винаги изключвайте уреда, когато прикрепите или сваляте кутията за раздробени материали.
- В случай на неизправност или повреда изключете и свалете акумулаторната батерия. Не работете с продукта отново, докато той не премине щателна проверка в оторизиран сервизен център.

## РЪКОВОДСТВО ЗА РАЗДРОБЯВАНЕ

За да постигнете най-добри резултати при раздробяването, следвайте указанията в таблицата долу.

### МАТЕРИАЛ

### МЕТОД НА РАЗДРОБЯВАНЕ

Големи клони с диаметър до 40 mm.

Подкастрете с градински ножици всички странични израстъци по материалите за раздробяване, преди да ги подадете в захранващата фуния.

Слама, бурени и хресталаци

Изтръскайте пръстта и камъните от корените им, за да предпазите остриетата от повреда.

Прясно отрязана шума, градински плетове и кухненски отпадъци (напр. листа от зеле, обелки от зеленчуци и др.)

Ако раздробявате силно навлажнени материали, е препоръчително на равномерни интервали от време да подавате и по-сухи съчки; това ще спомогне преминаването на раздробяваните материали през режещия механизъм и ще го предпази от задръстване.

Сухи клечки и вейки

Поставяйте ги в купчината за раздробяване накрая, когато планирате да приключите работа с дробилката – те помагат за почистване на влагата и растителните полепи от вътрешната част на продукта и от режещия механизъм.

- Не позволявайте градинските отпадъци да се натрупват, преди да ги раздробите, защото те ще започнат да гният, ще станат прекалено влажни и ще задръстят режещия механизъм. Сухият материал помага за почистване на улея за изхвърляне. Запазете малко сухи клонки за накрая, за да почистят режещия механизъм.

- Често наблюдавайте натрупването на надробени материали.
- Когато кутията за надробени материали се напълни, изключете уреда, преди да я изпразните.
- Когато подавате дълги клоно/стебла в уреда, внимавайте за вибрации и камшични движения, тъй като те могат да бъдат поети от оператора. Операторът трябва да носи защитни средства за очите винаги когато работи с продукта.
- Режещият механизъм е направен така, че да придърпва клонки/стебла в уреда. Не задържайте влизането на материал за надробяване, след като веднъж е захванат. Винаги носете ръкавици, за да предотвратите наранявания на кожата, когато подавате материали за надробяване към продукта.
- При обичайна употреба не изключвайте продукта, докато не излезе целият нарязан материал от модула с остриета. Ако продуктът се изключи твърде бързо, оставащите парчета материал може да задръстят модула с остриета и да блокират мотора при повторното включване на продукта.

## ТРАНСПОРТИРАНЕ И СЪХРАНЕНИЕ

- Изключете продукта, извадете акумулаторната батерия и изчакайте да се охладят, преди да ги приберете за съхранение или транспортиране.
- Почистете старателно продукта, преди да го приберете за съхранение на чисто и сухо място, което е недостъпно за деца.
- Когато транспортирате продукта, го обезопасете така, че да не може да се движи или да падне, защото това може да доведе до евентуални наранявания на хора или повреди по продукта.

## ТРАНСПОРТИРАНЕ НА ЛИТиеВИ БАТЕРИИ

Транспортирайте батериите в съответствие с местните и национални постановления и разпоредби.

Спазвайте всички специални изисквания за пакетиране и етикетирание, когато транспортирате батерии чрез трето лице. Уверете се, че батериите не влизат в контакт с други батерии или проводими

материали по време на транспортиране, като предпазете откритите конектори с изолация, непроводими капачета или лента. Не транспортирайте батерии, които са спукани или текат. Свържете се със следната компания за допълнителен съвет.

## ДОПЪЛНИТЕЛНИ ПРЕДУПРЕЖДЕНИЯ ЗА БЕЗОПАСНОСТ ЗА БАТЕРИЯТА

- За да намалите риска от пожар, физическо нараняване и повреда на продукта поради късо съединение, никога не потапяйте продукта, комплекта батерии или зарядното устройство в течност и не позволявайте в тях да проникне течност. Течностите, предизвикващи корозия или провеждащи електричество, като солена вода, определени химикали, избелващи вещества или продукти, съдържащи избелващи вещества, могат да предизвикат късо съединение.
- Зареждайте акумулаторната батерия на място, на което околната температура е между 10 °C и 38 °C.
- Съхранявайте акумулаторната батерия на място, на което околната температура е между 0 °C и 20 °C.
- Използвайте акумулаторната батерия на място, на което околната температура е между 0 °C и 40 °C.

## ПОДДРЪЖКА

- Използвайте само оригинални резервни части, аксесоари и приставки от производителя. В противен случай може да се влоши работата на инструмента или да получите тежки контузии, а гаранцията ви ще стане невалидна.
- Преди почистване, проверка или обслужване на продукта, го изключете и изчакайте, докато остриетата спрат напълно, след което свалете батерията. След като известно време работите с продукта, режещият механизъм ще се нагорещи. Изчакайте да се охладят преди почистване, проверка или регулиране.
- Режещите остриета са изключително остри. За да предотвратите наранявания, бъдете особено внимателни, когато почиствате или работите с остриетата или с други части в корпуса на машината, които са достъпни след сваляне на кутията за надробени материали. Винаги носете здрави защитни ръкавици.

- Внимавайте, защото режещият механизъм може да се движи дори при изключено захранване и включен блокиращ превключвател.
- За да се гарантира най-добра производителност на продукта, той трябва да се поддържа чист.
- Винаги почиствайте продукта след всяко използване. Когато е възможно, използвайте твърда четка, за да почистите захранващия и изходящия улей; използвайте суха кърпа за почистване на външните части на продукта.
- Не допускайте материал да изсъхне и да се втвърди върху която и да е повърхност на продукта, особено върху остриетата. Това ще повлияе директно върху качеството на раздробяването.
- Поддържайте чисти от отпадъци захранващия отвор на фунията и улея за изхвърляне.
- Уверете се, че всички гайки, болтове и винтове (без винта за регулиране) са затегнати и добре закрепени.
- Подмяната или ремонтът на повредени и износени части винаги трябва да се извършва от квалифицирани техници в оторизиран сервизен център.
- Никога не опитвайте да деактивирате блокиращите превключватели на кутията за раздробени материали и да блокирате предния капак на режещия механизъм.
- В никакъв случай не позволявайте пластмасовите части да влизат в контакт със спирачни течности, нефтени продукти, проникващи масла и т.н. Никога не използвайте спирачни течности, бензин, продукти на нефтена основа или други разтворители за почистване на уреда. Повечето пластмаси са чувствителни към различни видове разтворители и може да се повредят при използването на такива.
- Можете да извършвате дейностите по поддръжка, описани в настоящото ръководство. Останалите видове ремонтни дейности трябва да се извършват в упълномощен сервизен център.

## РЕГУЛИРАНЕ НА ПРЕСОВАЩАТА ПЛОЧА

- Ако раздробяването на материала е неуспешно, може да се наложи регулиране на пресоващата плоча или подостряне на остриетата.
- С времето се налага регулиране на пресоващата плоча на продукта. Това може да стане чрез регулиране на пресоващата плоча така, че да влиза в слаб контакт с остриетата. Уверете се, че продуктът е включен и работи в нормална посока напред.
- Регулирането на пресоващата плоча, докато моторът е изключен, може да доведе до сериозни щети по продукта.

**ЗАБЕЛЕЖКА:** Опит за регулиране на пресоващата плоча трябва да се прави само когато това се счита за абсолютно необходимо. Прекалено честото или прекомерно регулиране на пресоващата плоча може да доведе до това продуктът да спре да работи.

1. Докато продуктът работи, завъртете копчето за регулиране по посока на часовниковата стрелка.
2. Когато чуете контакт между метал и метал или видите фини алуминиеви стружки в дъното на контейнера за събиране, преустановете регулирането и оставете продукта да работи за 30 секунди. След това завъртете копчето за регулиране обратно на часовниковата стрелка с половин до един оборот, докато вече не влиза в контакт с пресоващата плоча, като оставите разстояние от 1 mm.

**ЗАБЕЛЕЖКА:** Извършвайте всички регулиращи дейности бавно, за да предотвратите повреди по продукта. Прекомерното регулиране на пластината може сериозно да повреди продукта.

## РЕГУЛИРАНЕ НА ПРЕСОВАЩАТА ПЛОЧА ЧРЕЗ РЕЖИМА НА КАЛИБРИРАНЕ

**ЗАБЕЛЕЖКА:** Уверете се, че продуктът е изключен.

1. Когато продуктът е изключен, задръжте бутона за режим на калибриране и след това натиснете бутона за стартиране. Ще започне калибриране на острието.
2. Завъртете копчето за регулиране на пресоващата плоча по посока на часовниковата стрелка, докато продуктът се изключи.

- ЗАБЕЛЕЖКА:** Завъртете копчето в посока, обратна на часовниковата стрелка с половин до един оборот, докато пресоващата плоча и остриетата престанат да бъдат в контакт.
3. Натиснете бутона за стартиране, за да подадете отново материал в продукта.

## ОПОЗНАЙТЕ ВАШИЯ ПРОДУКТ

Вж. страница 185.

1. Слот за батерия
2. Бутон за режим на заден ход
3. Бутон за режим на калибриране
4. Бутон за спиране
5. Захранваща фуния
6. Бутон за стартиране
7. Врата за батериите
8. Копче за регулиране на пресоващата плоча
9. Бутон за освобождаване на металната рамка
10. Метална рамка
11. Ключалка
12. Ос
13. Бутало за материали
14. Колело
15. Шплент
16. Шайба
17. Капак на главината
18. Ръководство за оператора
19. Шестограмен ключ Torx
20. Съд за събиране на отпадъци
21. Батерия
22. Зарядно устройство

## СИМВОЛИ НА ПРОДУКТА



Прочетете и разберете всички инструкции, преди да използвате продукта. Следвайте всички предупреждения и инструкции за безопасност.



Внимавайте за изхвърлени или летящи обекти. Не допускайте странични наблюдатели, особено деца и домашни животни, на по-малко от 15 м от работната зона.



Предупреждение!  
Изключвайте батерията преди профилактика, регулиране и почистване.



Опасност! Въртящи се остриета. Дръжте крайниците си далече от отворите, докато продуктът работи.



Носете средства за защита на зрението и слуха.



Не стъпвайте върху уреда.



Изчакайте всички компоненти на продукта да спрат напълно, преди да ги докоснете.



Гарантирано ниво на шум



Носете здрави предпазни ръкавици, пригодени против плъзгане.



Когато продуктът е изключен и няма материали в улея, натиснете бутона за калибриране, за да започнете калибриране на остриетата.



Натиснете за включване и натиснете отново за превключване на скоростите.



Задръжте бутона натиснат, за да заработи в режим на реверс.



Знак за съответствие с европейските изисквания



Знак за съответствие с изискванията на Обединеното кралство



EurAsian знак за съответствие



Знак за съответствие с изискванията на Украйна



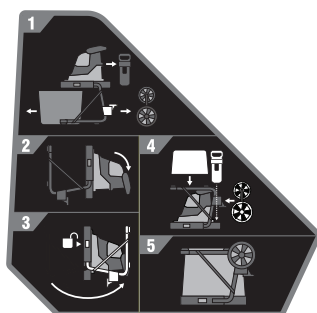
Режим на калибриране



Претоварване



Не е поставен съд за събиране на отпадъци



1. Свалете оста на колелото, коша за отпадъци и буталото.
2. Поставете уреда на земята с ръкохватките надолу.
3. Натиснете бутона за освобождаване на металната рама и сгънете краката, докато щракнат на място.
4. Поставете оста на колелото, коша за отпадъци и буталото на местата им за съхранение.
5. Съхранявайте уреда в хладна, суха и добре проветрена зона.



Не изхвърляйте отпадъците от батерии, електрическо и електронно оборудване като несортирани битови отпадъци. Отпадъците от батерии и електрически и електронно оборудване трябва да се събират отделно. Отпадъците от батерии, акумулатори и светлинни източници трябва да бъдат премахнати от оборудването. За съвети относно рециклирането и пункта за събиране се обърнете към вашите местни власти или търговски представители. Съгласно местните разпоредби търговците на дребно трябва да бъдат задължени да приемат обратно отпадъци от батерии и електрическо и електронно оборудване. Вашият принос за повторната употреба и рециклирането на отпадъци от батерии и електрическо и електронно оборудване помага за намаляване на търсенето на суровини. Отпадъците от батерии, особено съдържащите литий, и електрическо и електронно оборудване съдържат ценни, подходящи за рециклиране материали, които може да имат неблагоприятно въздействие върху околната среда и човешкото здраве, ако не бъдат изхвърлени по екологичен начин. Ако на отпадъчното оборудване има лични данни, изтрийте ги.

## СИМВОЛИ В НАСТОЯЩОТО РЪКОВОДСТВО



Частите или принадлежностите се продават отделно



Забележка



Предупреждение



Ключалка



Отключване



## ОТСТРАНЯВАНЕ НА ПРОБЛЕМИ

ПРОБЛЕМ	ПРИЧИНА	ДЕЙСТВИЕ
Моторът не работи.	Температурно претоварване	Изчакайте 15 минути, докато уредът се охлади. Това може да възникне, когато околната температура е висока и уредът е използван постоянно без спиране.
	Батерия	Проверете дали батерията е напълно заредена, дали има следи от проникване на вода и дали не е повредена. Изпробвайте батерията в друг инструмент, за да се уверите, че работи правилно.
	Съд за събиране на отпадъци	Поставете коша за събиране на отпадъци според етикетите от страни на коша и се уверете, че е вкаран напълно и предното заключване е задействано.
В улея не е подаден материал.	Покривна плоча за остриетата	Уверете се, че и четирите болта, фиксиращи покривната плоча за остриетата, са напълно затегнати.
	Материалът е заседнал във входната фуния.	Следвайте инструкциите в ръководството, за да почиствате запушвания.
	Пресоващата плоча е прекалено далеч от острието.	Следвайте инструкциите в ръководството за натягане на пресоващата плоча.

Головними міркуваннями при розробці цього бездротового подрібнювача були безпека, ефективність та надійність.

## ПЕРЕДБАЧУВАНОМУ ВИКОРИСТАННІ

Інструмент призначений для подрібнення матеріалів органічного садового сміття, такого як гілки, щіпки та листя.

Пристрій призначений для використання поза приміщенням у стаціонарному положенні, при цьому оператор стоїть на землі.

Пристрій не призначений для неорганічних матеріалів, металів або матеріалів, які перевищують максимальну товщину розрізання.

Виріб повинен встановлюватись на підставці з комплекту постачання і має використовуватись разом з ящиком для збору відходів з комплекту постачання. Його не можна встановлювати ніяким іншим способом, ніж показано в цій інструкції.

Не використовуйте для будь-яких інших цілей.

## ЗАГАЛЬНІ ЗАХОДИ БЕЗПЕКИ

**⚠ Попередження!** Продукт не призначений для використання дітьми або особами з обмеженими фізичними, розумовими або сенсорними можливостями. Хтось, окрім оператора, має весь час наглядати за малими дітьми, щоб не дозволяти їм грати біля виробу або з ним.

**⚠ Попередження!** При використанні продукту, основні запобіжні заходи повинні дотримуватись, щоб знизити ризик виникнення пожежі, ураження електричним струмом та отримання травм. Прочитайте всі інструкції з техніки безпеки перед початком роботи з продуктом. Добре ознайомтеся з органами управління та правильним використанням машини. Будь ласка, збережіть інструкції з безпеки для подальшого використання.

## ПІДГОТОВКА

- Перш ніж вмикати виріб, ознайомтеся з інструкціями.
- Ніколи не дозволяйте дітям або людям, не знайомим з цими інструкціями, використовувати продукт. Місцеве законодавство може обмежувати вік оператора.

- Оператор або користувач пристрою несе відповідальність за нещасні випадки або небезпеку, що виникають для інших людей або їх майна.

## ПІДГОТОВКА

- Ніколи не використовуйте продукт, коли люди, особливо діти, або домашні тварини знаходяться неподалік.
- Ніколи не використовуйте пристрій у погану погоду або коли виникає ризик блискавки. Користуйтеся засобами захисту слуху і захисними окулярами увесь час під час роботи продукту.
- Під час роботи з продуктом, завжди носіть міцне взуття і довгі штани. Не експлуатуйте машину босоніж або у відкритих сандалях. Уникайте носити вільний одяг, або з висячними шнурками або зав'язками.
- Завжди працюйте з виробом на відкритому просторі (напр., не поруч зі стіною або нерухомим об'єктом) на твердій, рівній поверхні.
- Не працюйте з виробом на асфальтованому або гравійному покритті, де викинутий матеріал може привести до травми.
- Перед запуском пристрою, переконайтесь, що всі гвинти, шайби, болти та інші кріплення надійно закріплені та захисні щитки і контейнер для збору на місці. Звертайтеся до авторизованого сервісного центру для заміни пошкоджених або нерозбірливих табличок.

## ВИКОРИСТАННЯ І ДОГЛЯД ЗА АКУМУЛЯТОРНИМ ІНСТРУМЕНТОМ

- Перезаряджати тільки за допомогою зарядного пристрою, зазначеного виробником. Зарядний пристрій, який підходить для одного типу акумуляторної батареї, може створювати ризик при використанні з іншою акумуляторною батареєю.
- Використовуйте електроінструменти тільки з призначеними для них акумуляторами. Використання будь-яких інших акумуляторів, може створити ризик отримання травми і пожежі.
- Коли акумуляторна батарея не використовується, тримайте її подалі від металевих предметів, таких як кліпси, монети, ключі, цвяхи, гвинти або інші

невеликі металеві предмети, які можуть замкнути клема. Коротке замикання контактів акумулятора може призвести до опіків або пожежі.

- У важких умовах експлуатації, рідина може бути випущена з батареї; уникайте контакту. При випадковому контакті змийте водою. Якщо рідина потрапила в очі, зверніться за медичною допомогою. Рідина з акумулятора може викликати роздратування або опіки.
- Заборонено використовувати акумулятор або пристрій, що були пошкоджені або модифіковані. Використання пошкоджених або модифікованих акумуляторів може мати непередбачувані наслідки, серед яких: виникнення пожежі, вибуху та ризик травмування.
- Уникайте загоряння та високої температури акумулятору або пристрою. Загоряння або висока температура понад 130°C можуть стати причиною вибуху.
- Дотримуйтеся усіх інструкцій щодо заряджання пристрою та уникайте заряджання поза діапазоном температур, що позначені у інструкції. Неправильне заряджання або заряджання при температурі, поза межами позначеними в інструкції, може пошкодити акумулятор та підвищити ризик виникнення пожежі.

## ОБСЛУГОВУВАННЯ

- Дозволяйте обслуговувати ваш електроінструмент тільки кваліфікованому персоналу, використовуючи тільки ідентичні запасні частини. Це гарантуватиме безпечну експлуатацію електроінструменту.
- Заборонено використання пошкоджених акумуляторів. Обслуговування акумуляторів має бути здійснене тільки виробником або у авторизованому сервісному центрі.

## ЗАХОДИ БЕЗПЕКИ ПРИ ЕКСПЛУАТАЦІЇ БЕЗДРОТОВОГО ПОДРІБНЮВАЧА

- Під час налаштування пристрою перед використанням переконайтеся, що він надійно закріплений та не перевернеться. Якщо пристрій вимкнений занадто швидко, залишкові шматки матеріалу можуть забити леза та зупинити двигун, коли пристрій знову увімкнеться.

- Перед запуском виробу подивіться у подавальну камеру, щоб переконатися, що вона порожня.

- Тримайте обличчя і тіло подальше від впускного отвору подачі.

- Не дозволяйте руки, будь-яку іншу частину тіла або одягу усередину камери подачі, розвантажувального жолоба, або біля рухомої частини.

- Завжди переконайтеся, що вашого засадах. Зберігайте правильну стійку і баланс весь час. Не тягніться. Ніколи не стійте на більш високому рівні, ніж основа даного продукту, коли подаєте сировину в нього. Ходіть, ніколи не бігайте.

- Завжди стійте осторонь від зони викидання при експлуатації продукту.

- При подачі матеріалу в продукт будьте вкрай обережними, щоб не потрапили шматки металу, каміння, пляшок, банок та інші сторонні предмети.

- Якщо у механізм різання потрапив будь-який сторонній предмет, або якщо пристрій створює будь-який незвичайний шум або вібрацію, вимкніть пристрій і дайте лезу повністю зупинитися. Від'єднайте акумуляторну батарею. Виконайте наступні дії:

- Ретельно огляньте пристрій на предмет пошкодження.
- Перевіряйте виріб і підтягуйте всі частини, що ослабли.
- замінити або відремонтувати пошкоджені деталі

- Не давайте обробленому матеріалу збиратись у жолобі видалення так як це може заважати нормальному виведенню або спричинити закупорення і зворотну віддачу матеріалу через вхідний отвір.

- Якщо пристрій засмітився, вимкніть його та зачекайте доки всі частини, що ріжуть повністю зупиняться. Перед обслуговуванням зніміть акумуляторну батарею.

- Ніколи не працюйте з виробом, якщо огорожі, кришки, ящик для збору відходів або інші запобіжні пристрої пошкоджені, не знаходяться на свої місцях або знаходяться у неналежному стані.

- Не переміщуйте та не транспортуйте пристрій, доки він працює.

- Вимкніть та від'єднайте акумуляторну батарею. Переконайтеся, що всі рухомі частини зупинилися:
  - до того, як залишити продукт без нагляду
  - перед очищенням закупорення
  - перед перевіркою, чищенням, або роботі на продукті
- Не відкривайте пристрій, поки він працює.
- Тривале використання інструменту може призвести до травмування або загострення існуючої травми. При використанні приладу протягом тривалого періоду часу, часті перерви.
- Не змінюйте продукт в будь-яким чином або не використовуйте деталі та аксесуари, які не рекомендовані виробником. Це може збільшити ризик серйозних травм для вас або інших.
- Завжди переконайтеся, що вентиляційні отвори знаходяться чистими від сміття. Двигун може перегрітися, що призведе до можливого пошкодження пристрою або збільшить ризик виникнення пожежі.
- Перед під'єднаннями або від'єднанням ящику для збору відходів вимикайте виріб.
- У разі нещасного випадку або пошкодження, негайно вимкніть пристрій та від'єднайте акумуляторну батарею. Не використовуйте прилад знову до проведення його повної перевірки в авторизованому сервісному центрі.

Будь-який матеріал, що має високий вміст вологи рекомендується подавати з деякими сухими паличками через регулярні проміжки часу, щоб допомогти підштовхнути матеріал через ріжучий вузол і запобігти його від засміченню.

Свіжозрізане листя, живопліт та кухонні відходи, такі як капустає листя, рослинні очистки і т.д.

Сухі палички і гілочки

Додання цього в кінці вашого подрібнення, допоможе очистити вологу і сік з рослин зсередини продукту і ріжучого вузла.

- Не дозволяйте садовим відходам накопичуватися перед знищенням, бо воно почне компостувати, стане занадто сирим і забиватиме ріжучий вузол. Сухий матеріал допоможе очистити більшість матеріалу з викидного жолобу." Збережіть деякі сухі палиці до останнього, щоб допомогти очистити площу леза.
- Регулярно перевіряйте кількість накопиченого подрібненого матеріалу.
- Коли колектор повний, вимкніть виріб перед очищенням.
- Під час падіння до воронки довгих гілок та стеблів зважайте на можливість хльоскання та вібрації при захваті гілок ріжучим механізмом. Оператор повинен носити захист для очей, коли використовує продукт.
- Ріжучій пристрій має тенденцію тягнути гілки/стебла в продукт. Не намагайтеся перешкоджати введенню матеріалу, коли подача почалась. Завжди носіть рукавички, щоб запобігти розривам шкіри при подачі матеріалу в продукт.
- У нормальному режимі роботи не вимикайте пристрій, доки весь матеріал не розщепить. Якщо пристрій вимкнений занадто швидко, залишкові шматки матеріалу можуть забити леза та зупинити двигун, коли пристрій знову увімкнеться.

## КЕРІВНИЦТВО ДЛЯ ПОДРІБЛЕННЯ

Для отримання найкращих результатів при подрібненні, дотримуйтесь рекомендацій, показаних в таблиці нижче.

МАТЕРІАЛ	МЕТОД ПОДРІБЛЕННЯ
Гілки діаметром до 40 мм.	Перед завантаженням до воронки обріжте секатором усі бічні гілки.
Рослини, бур'яни і чагарникові зростання.	Уникайте горбистого ґрунту і каменів від коренів, щоб уникнути пошкодження лопастей.

**ТРАНСПОРТУВАННЯ ТА ЗБЕРІГАННЯ**

- Перед зберіганням або транспортуванням вимкніть пристрій, вийміть акумулятор та дайте їм охолонути.
- Перед розміщенням на зберігання ретельно очистіть виріб. Зберігайте у чистому сухому місці, недоступному для дітей.
- Під час транспортування приладу в автомобілі закріпіть його, щоб запобігти його переміщенню чи падінню, оскільки це може призвести до травмування людей або пошкодження самого виробу.

**ПЕРЕВЕЗЕННЯ ЛІТІЄВИХ БАТАРЕЙ**

Здійснюйте транспортування акумуляторної батареї відповідно до місцевих та загальнодержавних норм і правил.

Дотримуйтесь всі спеціальні вимоги до упаковки і маркування при транспортуванні батареї третьою стороною. Переконайтеся, що під час транспортування акумулятор не вступає в контакт з іншими акумуляторними батареями або струмопровідними матеріалами та захистіть відкриті роз'єми ізоляційними непровідними кришками або стрічкою. Чи не переносьте акумулятори, тріснуті або бігу. Зв'яжіться з нами для отримання подальших рекомендацій.

**ДОДАТКОВІ ПОПЕРЕДЖЕННЯ  
З ТЕХНІКИ БЕЗПЕКИ ЩОДО  
ВИКОРИСТАННЯ АКУМУЛЯТОРІВ**

- Для зменшення ризику загоряння, травмування та пошкодження пристрою у разі короткого замикання ніколи не занурюйте виріб, акумуляторну батарею або зарядний пристрій у рідину та не допускайте потрапляння рідини всередину. Корозійні і струмопровідні рідини, такі як солоний розчин, певні хімікати, вибілювальні засоби або продукти, що їх містять, можуть призвести до короткого замикання.
- Заряджайте акумулятор у місці з температурою від 10°C до 38°C.
- Зберігайте акумулятор у місці, де навколишня температура тримається в межах 0-20°C.
- Використовуйте акумулятор у місці, де навколишня температура тримається в межах 0-40°C.

**ТЕХНІЧНЕ ОБСЛУГОВУВАННЯ**

- Використовуйте тільки оригінальні запасні частини, аксесуари та обладнання від виробника. Невиконання цієї вимоги може привести до можливої травми, поганої продуктивності та може призвести до втрати гарантії.
- Перед очищенням, перевіркою або обслуговуванням пристрою вимкніть його, зачекайте, доки всі ріжучі частини повністю зупиняться, і від'єднайте від електричної мережі живлення. Через деякий час подрібнення, ріжучий механізм буде нагріватись. Дайте йому охолонути перед чищенням, перевіркою та регулюванням.
- Лопасті різачка дуже гострі. Щоб уникнути травм, дотримуватися крайньої обережності і заботи при чищенні або роботі поряд з лопастями, всередині відкритого корпусу або коли колектор буде видалений. Завжди носіть міцні захисні рукавички.
- Пам'ятайте, що ріжучі пристрої можуть обернутися навіть після вимкнення живлення, або якщо задіяно блокуючий перемикач.
- Щоб забезпечити найкращу ефективність пристрою, він має бути чистим.
- Завжди зразу ж після використання очистіть продукт. Скрізь, де можливо, використовуйте жорстку щітку всередині жолобу подачі і випуску і суху тканину на зовні продукту.
- Не дозволяйте матеріалу висихати та затвердіти на будь-якій поверхні пристрою, але особливо на лезах. Це напряму впливає на продуктивність подрібнювання.
- Слідкуйте за тим, щоби воронка та викидний отвір були чистими, без залишків подрібненого матеріалу.
- Переконайтеся, що всі гайки, болти та гвинти (за винятком регулюючого гвинта) затягнуті і зафіксовані.
- Завжди майте будь-які пошкоджені або зношені частини відремонтовані або замінені кваліфікованим персоналом в авторизованому сервісному центрі.
- Ніколи не намагайтеся обійти блокуючі перемикачі на ящику для збору відходів або на передній кришці вузла різачка.

- Завжди уникайте контакту гальмівної рідини, бензину, продуктів на основі бензину або просочувального мастила з пластиковими деталями. Забороняється використовувати для чищення пристрою гальмівну рідину або будь-які розчинники. Більшість пластиків чутливі до різних типів технічних розчинників і можуть бути пошкоджені при їх використанні.
- Ви можете виконати завдання з обслуговування, описані в цьому посібнику. Для обслуговування або ремонту, звертайтеся тільки до авторизованого сервісного центру.

## РЕГУЛЮВАННЯ ДРОБИЛЬНОЇ ПЛИТИ

- Якщо якість подрібнення матеріалу падає, необхідно відрегулювати дробильну плиту або загострити ножі.
- Час від часу дробильна плита у виробі потребує налаштування. Дробильна плиту слід відрегулювати так, щоби ножі ледь торкалися її. Переконайтеся, що виріб увімкнений і обертається у правильному напрямку вперед.
- Регулювання дробильної плити на вимкненому виробі може призвести до значних пошкоджень виробу.

**ПРИМІТКА:** Дробильну плиту слід регулювати, тільки коли це абсолютно необхідно. Занадто часте або надлишкове регулювання плити може призвести до зупинки роботи.

1. Поки пристрій працює, поверніть регулятор за годинниковою стрілкою.
2. Коли почуєте звук контакту металу по металу або побачите алюмінієву стружку в нижній частині збирального контейнера, дайте виробу пропрацювати 30 секунд. Після цього поверніть ручку регулювання проти годинникової стрілки на 0,5-1.0 оберту, щоби між ножами і плитою утворився зазор шириною приблизно 1 мм.

**ПРИМІТКА:** Виконуйте регулювання повільно, щоби запобігти пошкодженню виробу. Перерегульована пластина може призвести до серйозного пошкодження виробу.

## РЕГУЛЮВАННЯ ДРОБИЛЬНОЇ ПЛИТИ ЗА ДОПОМОГОЮ РЕЖИМУ КАЛІБРУВАННЯ

**ПРИМІТКА:** Виріб має бути вимкнений.

1. Коли виріб вимкнено, натисніть кнопку режиму калібрування і потім кнопку запуску. Почнетеся процес калібрування.
2. Повертайте ручку регулювання дробильної плити за годинниковою стрілкою, доки виріб не вимкнеться.

**ПРИМІТКА:** Поверніть ручку регулювання проти годинникової стрілки на 0,5-1,0 оберту, щоби між ножами і плитою утворився зазор.

3. Натисніть на кнопку запуску, щоби відновити подачу матеріалу.

## ЗНАЙ СВІЙ ПРОДУКТ

*Дивіться сторінку 185.*

1. Акумуляторний відсік
2. Кнопка зворотнього ходу
3. Кнопка режиму калібрування
4. Кнопка зупинки
5. Жолоб подачі
6. Кнопка запуску
7. Дверцята відсіку батареї
8. Ручка регулювання дробильної плити
9. Кнопка вивільнення металеві рами
10. Металевий каркас
11. Запор
12. Вісь
13. Матеріал плунжера
14. Колесо
15. Шплінт
16. Шайба
17. Ковпачок ступиці
18. Інструкція з експлуатації
19. Ключ-шестигранник
20. Емність для сміття
21. Акумуляторна батарея
22. Зарядний пристрій

## СИМВОЛИ НА ПРОДУКТІ



Перед використанням пристрою прочитайте та зрозумійте всі інструкції. Дотримуйтеся всіх попереджень та інструкцій з безпеки використання.



Остерігайтеся кинутих або літаючих об'єктів. Тримайте всіх перехожих, особливо дітей і домашніх тварин, принаймні 15 м від робочої зони.



Попередження! Перед обслуговуванням, регулюванням і чищенням від'єднайте акумуляторну батарею.



Небезпека! Ножі, що обертаються. Тримайте руки і ноги подалі від отворів у той час як продукт працює.



Носіть захист очей і вух.



Не використовуйте в якості сходин.



Не торкайтеся частин виробу до того, як вони повністю зупиняться.



Гарантований рівень звукової потужності.



Носіть неслизькі, надміцні рукавички.



Коли пристрій вимкнено, а жолоб вільний, натисніть кнопку калібрування, щоб розпочати калібрування леза.



Натисніть, щоб увімкнути, і натисніть ще раз, щоб перемкнути швидкість.



Утримуйте кнопку для запуску в реверсному режимі.



Європейський знак відповідності



Британський знак відповідності



Євразійська знак відповідності.



Український знак відповідності



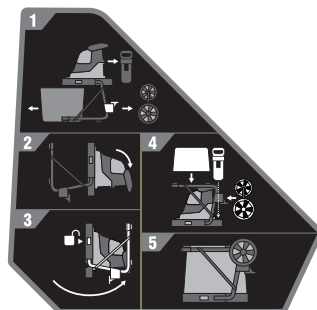
Режим калібрування



Перевантаження



Ємність для сміття не вставлено



1. Зніміть вісь колеса, ємність для сміття і плунжер.
2. Поставте пристрій на землю ручками вниз.
3. Натисніть кнопку розблокування металевої рами та складіть ніжки, доки вони не зафіксуються.
4. Розмістіть вісь колеса, ємність для сміття і плунжер у відповідні місця зберігання.
5. Зберігайте пристрій у прохолодному, сухому та добре провітрюваному місці.

Не викидайте старі акумулятори, старе електричне та електронне устаткування разом із несорттованим побутовим сміттям. Старі акумулятори, старе електричне та електронне устаткування збираються окремо. З устаткування необхідно зняти старі батареї, акумулятори та джерела світла. За інформацією стосовно утилізації або місць збору звертайтеся до місцевої влади або дилера. Місцеве законодавство може зобов'язувати продавців безкоштовно приймати старі акумулятори та електричне й електронне устаткування. Ваш внесок до справи повторного використання та переробки старих акумуляторів, електричного та електронного устаткування зменшує потребу у сировині. В акумуляторах, особливо літєвих, і старому електричному та електронному устаткуванні містяться цінні, придатні для переробки матеріали, і якщо утилізація такого устаткування проводиться у неекологічний спосіб, це негативно впливає на навколишнє середовище та людське здоров'я. Видаліть персональні дані з устаткування, яке передається на переробку.



## СИМВОЛИ В ЦЬОМУ ПОСІБНИКУ



Запчастини та аксесуари, що продаються окремо



ПРИМІТКА



Попередження



Блокувати



Розблокувати



## ПОШУК І УСУНЕННЯ НЕСПРАВНОСТЕЙ

ПРОБЛЕМА	ПРИЧИНА	ДІЯ
Двигун не запускається.	Температурне перевантаження	Залиште прилад на 15 хвилин, щоб він охолонув. Це може статися, якщо температура навколишнього середовища висока і продукт використовувався постійно без перерви.
	Акумуляторна батарея	Перевірте, чи акумуляторна батарея повністю заряджена, чи не має ознак потрапляння води та чи не пошкоджена. Перевірте батарею в іншому інструменті, щоб переконатися, що вона працює правильно.
	Ємність для сміття	Вставте ємність для сміття, спираючись на ярлики збоку, і переконайтеся, що він повністю вставлений із зафіксованим переднім замком.
	Захисний щиток для леза	Переконайтеся, що всі 4 болти, які кріплять захисний щиток для леза, повністю затягнуті.
Матеріал не подається в жолоб.	Матеріал защемлено в завантажувальній воронці	Щоб видалити перешкоди, слідуйте інструкціям у керівництві.
	Ріжучий диск знаходиться занадто далеко від ріжучого леза.	Дотримуйтеся вказівок у посібнику щодо натягу дробильної пластини.

Kablosuz parçalama makinenizin tasarımında güvenlik, performans ve güvenilirliğe en yüksek öncelik verilmiştir.

## KULLANIM AMACI

Kablosuz parçalama makinesi, dallar, ince dallar ve yeşillikler gibi organik bahçe atık materyallerini azaltmak için tasarlanmıştır.

Ürün, dış mekanda ayakta duran bir operatör tarafından sabit pozisyonda kullanıma yöneliktir.

Ürün, maksimum kesme kapasitesini aşan organik olmayan malzeme, metal veya malzeme için tasarlanmamıştır.

Ürün, ürünle birlikte verilen ayak üzerine monte edilmeli ve toplama kutusu ile birlikte kullanılmalıdır. Bu kılavuzda açıklanan veya gösterilenden başka bir şekilde monte edilmesi uygun değildir.

Başka herhangi bir amaçla kullanmayın.

## GENEL GÜVENLİK UYARILARI

**⚠ UYARI!** Bu ürün çocuklar veya fiziksel, zihinsel veya duyuşsal becerileri kısıtlı kişiler tarafından kullanıma uygun değildir. Ürünün yakınında veya ürünle oynamalarını önlemek için küçük çocukların kullanıcı dışında biri tarafından gözetlenmesi gerekir.

**⚠ UYARI!** Ürünü kullanırken yangın, elektrik çarpması ve fiziksel yaralanma riskini azaltmak için temel güvenlik önlemlerine uyulmalıdır. Ürünü kullanmadan önce bu güvenlik talimatlarının hepsini dikkatlice okuyun. Ürünün kontrollerini ve nasıl doğru şekilde kullanılacağını öğrenin. Lütfen bu talimatları daha sonra kullanmak üzere güvenli bir yerde saklayın.

## EĞİTİM

- Ürünü çalıştırmayı denemeden önce talimatları okuyun.
- Hiçbir zaman çocukların veya talimatları bilmeyen kişilerin ürünü kullanmasına izin vermeyin. Yerel yönetmelikler kullanıcının yaşına kısıtlama getirebilir.
- Kazalardan ve diğer insanlara veya mallarına zarar verebilecek tehlikelerden kullanıcının sorumlu olduğunu unutmayın.

## HAZIRLIK

- Ürünü hiçbir zaman yakın insanlar, özellikle çocuklar veya hayvanlar varken kullanmayın.
- Ürünü kötü hava koşullarında, özellikle de yıldırım riskinin olduğu durumlarda kullanmayın. Ürünü kullanırken her zaman kulak tıkacı ve güvenlik gözlüğü takın.
- Ürünü kullanırken her zaman dayanıklı ayakkabılar ve uzun pantolon giyin. Ürünü çıplak ayakla veya üstü açık terlik giyerken kullanmayın. Üzerinize bol olan veya iplerin veya bağcıkların sarktığı kıyafetler giymekten kaçınin.
- Ürünü yalnızca açık bir alanda (bir duvara veya sabit nesneye yakın olmayan) ve sert, düz bir yüzeyde kullanın.
- Ürünü fırlayan maddelerin yaralanmaya neden olabileceği asfalt kaplı veya çakıllı bir yüzeyde kullanmayın.
- Ürünü çalıştırmadan önce, tüm vidaların, somunların, civataların ve diğer bağlantı parçalarının düzgün bir şekilde sabitlendiğinden ve kılavuzlarla toplama kutusunun yerinde olduğundan emin olun. Hasarlı veya okunamayan etiketleri değiştirmek için yetkili bir servis merkezine ürünü götürün.

## BATARYALI ALET BAKIMI VE KULLANIMI

- Sadece üretici tarafından belirtilen şarj cihazı ile şarj edin. Bir tür batarya takımı için uygun olan bir şarj cihazı, başka bir batarya takımı ile kullanıldığında risk oluşturabilir.
- Elektrikli aletleri sadece özel olarak belirtilmiş pil takımları ile birlikte kullanın. Başka bir pil takımı kullanmak yaralanma ve yangın riski oluşturabilir.
- Pil takımı kullanılmadığı zaman ataş, bozuk para, anahtar, çivi, vida ve diğer metal nesnelere gibi bir terminalden diğerine bağlantı oluşturabilecek diğer metal nesnelere uzak tutun. Pil terminallerinin birlikte kısa devre yapması yanığa veya yangına neden olabilir.
- Kötü koşullarda pilden sıvı boşalabilir; temas etmekten kaçınin. Eğer kazara temas ederseniz temas eden yeri suyla yıkayın. Eğer sıvı gözlerinize temas ederse ek olarak tıbbi yardım alın. Pilden boşalan sıvı tahriş veya yanıklara neden olabilir.

- Hasar görmüş ya da değiştirilmiş pil paketi ya da aleti kullanmayın. Hasar görmüş ya da değiştirilmiş piller yangın, patlama ya da yaralanma riskine yol açabilecek beklenmeyen davranış sergileyebilir.
- Pil paketi ya da aleti ateş ya da aşırı ısıya maruz bırakmayın. Ateş ya da 130°C üzerinde ısıya maruz kalmak patlamaya neden olabilir.
- Şarj işlemine ilişkin tüm talimatlara uyun ve batarya takımı ya da aleti talimatlarda belirtilen sıcaklık aralığı dışında şarj etmeyin. Belirtilen sıcaklık aralığı dışında şarj edildiğinde pil zarar görebilir ve yangın riski artar.
- Ürüne malzeme beslemesi yaparken metal parçaların, taşların, şişelerin, teneke kutuların veya diğer yabancı nesnelere içine yerleştirilmemesine çok dikkat edin.
- Kesme mekanizması herhangi bir yabancı nesneye çarparsa veya ürün olağandışı bir ses veya titreşim yapmaya başlarsa, ürünü kapatın ve kesicilerin tamamen durmasına izin verin. Pil takımını çıkartın. Aşağıdaki adımları uygulayın:
  - Üründe hasar olup olmadığını dikkatlice inceleyin.
  - Ürünün gevşemiş parçalarını kontrol edin ve sıkın.
  - tüm hasarlı parçaları değiştirin veya onarın

## SERVİS

- Elektrikli aletinizi sadece aynı yedek parçaları kullanarak nitelikli bir tamirciye onartın. Bu, elektrikli aletin güvenliğinin muhafaza edilmesini sağlar.
- Hasarlı pil takımlarına asla bakım uygulamayın. Pil takımlarının bakımı üretici ya da yetkili hizmet sağlayıcılar tarafından yapılmalıdır.

## KABLOSUZ PARÇALAMA MAKİNESİ GÜVENLİK UYARILARI

- Ürünü kullanım için kurarken, ürünün devrilmemesi için sabitlendiğinden emin olun. Ürün gerektiğinden çabuk durdurulursa, kalan materyal parçaları bıçak grubunu tıkayabilir ve ürün tekrar çalıştırıldığında motoru stop ettirebilir.
- Ürünü çalıştırmadan önce besleme bölgesinin boş olduğundan emin olun.
- Yüzünüzü ve vücudunuzu besleme girişi ağzından uzak tutun.
- Ellerinizi, herhangi bir uzvunuzu veya kıyafetlerinizi besleme bölgesine, boşaltma kanalına sokmayın veya herhangi bir hareketli parçaya yaklaştırmayın.
- Her zaman bastığınız yere dikkat edin. Yere sağlam basın ve dengenizi her zaman koruyun. Yukarıya doğru erişmeye çalışmayın. Malzeme beslemesi yaparken hiçbir zaman ürünün tabanından daha yüksek bir seviyede durmayın. Yürüyün, hiçbir zaman koşmayın.
- Ürünü kullanırken her zaman boşaltma bölgesinden uzakta durun.
- Ürüne malzeme beslemesi yaparken metal parçaların, taşların, şişelerin, teneke kutuların veya diğer yabancı nesnelere içine yerleştirilmemesine çok dikkat edin.
- Kesme mekanizması herhangi bir yabancı nesneye çarparsa veya ürün olağandışı bir ses veya titreşim yapmaya başlarsa, ürünü kapatın ve kesicilerin tamamen durmasına izin verin. Pil takımını çıkartın. Aşağıdaki adımları uygulayın:
  - Üründe hasar olup olmadığını dikkatlice inceleyin.
  - Ürünün gevşemiş parçalarını kontrol edin ve sıkın.
  - tüm hasarlı parçaları değiştirin veya onarın
- İşlenmiş materyallerin atma kanalında birikmesine izin vermeyin, bu uygun boşaltımı veya blokajı engelleyebilir ve besleme girişi açıklığından materyalin geri atılmasıyla sonuçlanabilir.
- Üründe tıkanma olursa, ürünü kapatın ve kesicilerin tamamen durmasını bekleyin. Çöpü temizlemeden önce batarya takımını çıkarın.
- Kılavuzlar, kapaklar, toplama kutusu veya diğer emniyet cihazları kusurluysa, yerlerinde değilse veya iyi çalışmıyorsa, ürünü asla çalıştırmayın.
- Ürün çalışırken ürünü hareket ettirmeyin veya taşımayın.
- Ürünü depolamadan, pil paketini çıkarın. Tüm hareketli parçaların tamamen durduğundan emin olun:
  - ürünün yanından ayrılmadan önce
  - tıkanıklığı temizlemeden önce
  - ürünü kontrol etme, temizleme ve ürün üzerinde çalışmadan önce
- Ürün çalışır haldeyken ürünü eğmeyin.
- Ürünün uzun süre kullanılması nedeniyle yaralanmalar meydana gelebilir veya kötüleşebilir. Herhangi bir alet uzun süre kullanıldığında düzenli molalar verdiğinizden emin olun.
- Üründe herhangi bir değişiklik yapmayın veya üretici tarafından önerilmeyen parçalar ve aksesuarlar kullanmayın. Bu sizin ve diğerlerinin ciddi şekilde yaralanma riskini artırabilir.
- Havalandırma girişlerinin her zaman birikintiden arındırılmış hâlde tutulduğundan emin olun. Motor aşırı ısınarak ürüne zarar verebilir veya yangın riskini artırabilir.

- Toplama kutusunu takmadan veya çıkartmadan önce ürünü kapatın.
- Bir kaza ya da arıza durumunda ürünü derhal durdurun ve pil takımını çıkarın. Yetkili servis merkezi tarafından kontrol edilene dek ürünü tekrar çalıştırmayın.

## ÖĞÜTME KILAVUZU

En iyi sonucu elde etmek için aşağıdaki tabloda gösterilen talimatlara uyun.

MALZEME	ÖĞÜTME YÖNTEMİ
40 mm çapa kadar dallar.	Besleme hunisine besleme yapmadan önce, yana doğru büyüyenleri budama makasıyla kesin.
Tarha elverişli bitkiler, otlar çalılı benzer filizler.	Bıçakların hasar görmesini önlemek için toprağı ve taşları köklerden temizleyin.
Yeni kesilmiş yeşillikler, çalı ve mutfak atığı (örn. lahana yaprakları, sebze kabukları vs.)	Yüksek nem içeriğine sahip malzemelerle birlikte malzemenin kesme düzeneğine itilmesine yardımcı olmak ve tıkanmayı önlemek için düzenli aralıklarla birkaç kuru tahta parçasının beslenmesi tavsiye edilmektedir.
Kuru tahta parçaları ve ince dallar	Bunların öğütme çalışmasının sonunda makineye beslenmesi ürünün içindeki ve kesme düzeneğindeki nemin ve bitki özünün giderilmesine yardımcı olacaktır.

- Çürümeye başlayacağı, çok nemleneceği ve kesme düzeneğini tıkayacağı için öğütmeden önce bahçe atığının birikmesini önleyin. Kuru malzeme çoğu malzemenin boşalma kanalından temizlenmesine yardımcı olacaktır. Bıçak bölgesini temizlemeye yardımcı olması için çalışma tamamlanana kadar birkaç adet kuru tahta parçası saklayın.

- Parçalanmış malzemenin birikmesini sık sık kontrol edin.
- Toplama kutusu dolduğunda boşaltmadan önce ürünü Kapalı konuma getirin.
- Ürüne uzun odunsu dallar/gövdeler beslenirken malzemelerin kesici tarafından yakalanması nedeniyle savrulmaya ve titreşimlere karşı dikkatli olun. Kullanıcı ürünü kullanırken gözlük takmalıdır.
- Kesme cihazı dalları/gövdeleri ürüne çekme eğilimindedir. Besleme başlatıldıktan sonra kesilen malzemenin girişini önlemeye çalışmayın. Malzemeyi ürüne beslerken cilt kesiklerini önlemek için her zaman eldiven takın.
- Normal kullanım sırasında, parçalanmış tüm materyal kesme grubundan boşalmadan ürünü durdurmayın. Ürün gerektiğinden çabuk durdurulursa, kalan materyal parçaları bıçak grubunu tıkayabilir ve ürün tekrar çalıştırıldığında motoru stop ettirebilir.

## TAŞIMA VE DEPOLAMA

- Nakletmeden ya da depolamadan önce ürünü kapatın, pil paketini çıkarın ve her ikisinin de soğumasını bekleyin.
- Ürünü temiz, kuru ve çocukların erişemeyeceği bir yerde saklamadan önce ürünün iyice temizlendiğinden emin olun.
- Taşınacağı zaman insanların yaralanmasını veya ürünün zarar görmesini önlemek amacıyla ürünü hareket etmemesi veya düşmemesi için sabitleyin.

## LİTYUM BATARYALARIN TAŞINMASI

Bataryayı yerel ve ulusal hükümlere ve yönetmeliklere uygun şekilde taşıyın.

Bataryalar üçüncü bir şahıs tarafından taşındığında ambalaj ve etiket üzerindeki tüm özel koşullara uyun. Açıktaki konnektörleri yalıtkan, iletken olmayan başlıklar veya bant ile koruyarak hiçbir bataryanın taşıma sırasında diğer bataryalarla veya iletken malzemelerle temas etmediğinden emin olun. Çatlak veya sızdıran bataryaları taşımayın. Ek tavsiye için nakliye şirketi ile birlikte kontrol edin.

**PİL İÇİN EK GÜVENLİK UYARILARI**

- Kısa devreden kaynaklanacak yangın, yaralanma ve maddi hasar risklerini azaltmak için ürünü, pil paketini ya da şarj cihazını asla bir sıvıya batırmayın, ya da içine sıvı girmesine izin vermeyin. Tuzlu su, belirli kimyasallar, ağartıcı madde veya ağartıcı madde içeren ürünler gibi korozif veya iletken sıvılar kısa devreye neden olabilir.
- Pil paketini 10°C ve 38°C arasındaki ortam sıcaklığında şarj edin.
- Pil paketini ortam sıcaklığının 0°C ve 20°C arasında olduğu bir yerde muhafaza edin.
- Pil paketini ortam sıcaklığının 0°C ve 40°C arasında olduğu bir yerde kullanın..

**BAKIM**

- Sadece orijinal üreticinin yedek parçalarını, aksesuarlarını ve ek parçalarını kullanın. Aksine davranış olası yaralanmaya yol açabilir, yetersiz performansla neden olabilir ve garantinizin geçersiz olmasıyla sonuçlanabilir.
- Ürünü temizlemeden, incelemeyen veya servise almadan önce, batarya takımını çıkarın ve tüm kesicilerin tamamen durmasını bekleyin, elektrik kaynağından çıkartın. Bir süre öğüttükten sonra kesme mekanizması ısınacaktır. Temizlemeden, incelemeyen veya ayarlamadan önce soğumasını bekleyin.
- Kesme bıçakları son derece keskindir. Yaralanmayı önlemek için bıçakları, açık mahfazanın içini temizlerken veya çevresinde çalışırken veya toplama kutusu çıkartıldığında çok dikkatli olun. Her zaman ağır işe uygun koruyucu eldiven takın.
- Kesme araçlarının güç kapalıyken veya kilitleme anahtarı takılıyken bile hareket edebileceğini dikkate alın.
- En iyi performansı elde etmek için ürün her zaman temiz tutulmalıdır.
- Kullandıktan sonra ürünü her zaman temizleyin. Mümkün olduğunda besleme ve boşaltma kanallarının içinde sert bir fırça ve ürünün diş kısmında bir bez kullanın.

- Optimum öğütme performansı için herhangi bir malzemenin ürünün herhangi bir yüzeyinde, özellikle bıçaklar üzerinde kuruyup sertleşmesini önleyin. Bu parçalama performansını doğrudan etkiler.
- Besleme hunisinin ve boşaltma kanalının temiz tutulduğundan ve atık materyallerden temizlendiğinden emin olun.
- Tüm somunların, civataların ve vidaların (ayar vidası hariç) sıkılmış ve sağlam olduğundan emin olun.
- Hasarlı veya aşınmış parçaları her zaman yetkili bir servis merkezindeki nitelikli personele onartın.
- Toplama kutusunun veya kesme grubunun ön kapağının üzerindeki kilitleme anahtarlarını devre dışı bırakmayı asla denemeyin.
- Fren sıvılarının, benzinin, petrol bazlı ürünlerin, nüfuz edici yağın vb. hiçbir zaman plastik parçalarla temas etmesine izin vermeyin. Makineyi temizlemek için hiçbir zaman fren sıvısı, petrol, petrol bazlı ürünler veya çözücüler kullanmayın. Plastik parçaların büyük bölümü çeşitli tipte ticari çözücülerden kaynaklı hasara duyarlıdır ve kullanılmaları nedeniyle zarar görebilir.
- Bakım çalışmalarını bu kılavuzda açıklandığı şekilde gerçekleştirebilirsiniz. Ürün üzerinde yapılacak diğer onarımları yetkili bir servis merkezinde yaptırın.

**ÖĞÜTME PLAKASININ AYARLANMASI**

- Ürün materyali parçalayamazsa, öğütme plakasının ayarlanması gerekebilir veya bıçakların bileylenmesi gerekebilir.
- Zaman geçtikçe, ürün üzerindeki öğütme plakasının ayarlanması gerekir. Bu, öğütme plakasını bıçaklarla hafifçe temas edeceği şekilde ayarlayarak tamamlanabilir. Ürünün açık olduğundan ve normal ileri yönde çalıştığından emin olun.
- Öğütme plakasını motor kapalıyken ayarlamak ürüne ciddi zarar verebilir.

**NOT:** Öğütme plakası yalnızca tamamen gerekli görüldüğünde ayarlanmalıdır. Öğütme plakasını çok sık veya çok fazla ayarlamak ürünün çalışmayı durdurmasına neden olabilir.

1. Ürün çalışırken, ayar topuzunu saat yönünde çevirin.
2. Metalin metale temas etme sesini duyduğunuzda veya ince alüminyum tıraşlama plakalarını toplama kabının altında gördüğünüzde, ayarlamayı durdurun ve ürünü 30 saniye boyunca çalıştırın. Ardından öğütme plakası ile temas etmeyene ve 1 mm boşluk kalana kadar ayar topuzunu 0,5-1,0 tur saat yönünün tersine çevirin.

**NOT:** Ürüne zarar vermeyi önlemek için her türlü ayarı yavaş bir şekilde tamamlayın. Plakayı fazla ayarlamak ürüne ciddi zararlar verebilir.

### KALİBRASYON MODUNU KULLANARAK ÖĞÜTME PLAKASINI AYARLAMA

**NOT:** Ürünün kapalı durumda olduğundan emin olun.

1. Ürün kapalıyken, kalibrasyon modu düğmesini basılı tutun ve ardından başlatma butonuna basın. Bıçak kalibrasyona başlar.
2. Ürün kapanana kadar öğütme plakası ayar topuzunu saat yönünde çevirin.

**NOT:** Topuzu, öğütme plakası ve bıçaklar artık temas etmeyene kadar 0,5 - 1,0 tur saat yönünün tersine çevirin.

3. Malzemeyi ürüne yeniden beslemek için başlatma butonuna basın.

### ÜRÜNÜNÜZÜ TANIYIN

Bkz. sayfa 185.

1. Batarya yuvası
2. Ters yön düğmesi
3. Kalibrasyon modu düğmesi
4. Stop düğmesi
5. Besleme kanalı
6. Başlatma butonu
7. PİL kapağı
8. Öğütme plakası ayar topuzu
9. Metal çerçeve açma düğmesi
10. Metal çerçeve
11. Mandal
12. Aks
13. Malzeme pistonu
14. Tekerlek
15. Ayırma pimi
16. Pul
17. Göbek kapağı
18. Kullanım kılavuzu
19. Torks anahtar
20. Toplama kutusu
21. PİL
22. Şarj cihazı

### ÜRÜN ÜZERİNDEKİ SEMBOLLER



Ürünü çalıştırmadan önce bütün talimatları okuyup anlayın. Tüm uyarı ve güvenlik talimatlarına uyun.



Fırlayan ve sıçrayan nesnelere dikkat edin. Üçüncü şahısları, özellikle çocukları ve evcil hayvanları çalışma alanından en az 15 m uzakta tutun.



**UYARI!** Bakım, ayar ve temizlikten önce batarya takımının bağlantısını kesin.



**Tehlike!** Dönen bıçaklar. Ellerinizi ve ayaklarınızı ürün çalışırken açık kısımlardan uzak tutun.



Koruyucu gözlük ve kulak tıkacı kullanın.



Basamak olarak kullanmayın.



Dokunmadan önce ürünün parçalarının tamamen durmasını bekleyin.



Güvenceli ses gücü seviyesi



Kaymaz, ağır iş eldiveni giyin.



Ürün kapalıyken ve kanal temiz olduğunda, bıçak kalibrasyonunu başlatmak için kalibrasyon düğmesine basın.



Açmak için basın ve hızı değiştirmek için tekrar basın.



Ters modda çalıştırmak için düğmeyi basılı tutun.



Avrupa Uyumluluk İşareti



Britanya Uyumluluk İşareti



EurAsian Uygunluk İşareti



Ukrayna Uyumluluk İşareti



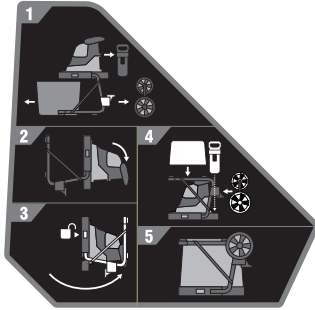
Kalibrasyon modu



Aşırı yüklü



Toplama kutusu takılı değil



1. Tekerlek aksını, hazneyi ve pistonu çıkarın.
2. Tutamakları aşağıda olacak şekilde ürünü yere koyun.
3. Metal çerçeve açma düğmesine basın ve ayakları yerlerine kilitlenene kadar yukarı katlayın.
4. Tekerlek aksını, hazneyi ve pistonu muhafaza yerlerine yerleştirin.
5. Ürünü serin, kuru ve iyi havalandırılmış bir yerde depolayın.



Atık pilleri, atık elektrikli ve elektronik ekipmanı, sınıflandırılmamış belediye atığı olarak bertaraf etmeyin. Atık piller ile atık elektrikli ve elektronik ekipmanlar ayrıca toplanmalıdır. Atık pil, akü ve ışık kaynakları ekipmandan çıkarılmalıdır. Yerel otorite veya satıcıdan geri dönüşüm tavsiyesi alın ve toplama noktasını öğrenin. Yerel düzenlemelere göre perakendecilerin atık piller ile atık elektrikli ve elektronik ekipmanı ücretsiz olarak geri alma yükümlülüğü olabilir. Atık bataryaların yanı sıra atık elektrikli ve elektronik ekipmanların yeniden kullanımı ve geri dönüşümüne katkınız, hammadde talebini azaltmaya yardımcı olur. Özellikle lityum içeren atık piller ile atık elektrikli ve elektronik ekipmanlar, çevreye uyumlu bir şekilde bertaraf edilmediği takdirde çevre ve insan sağlığını olumsuz yönde etkileyebilecek değerli ve geri dönüştürülebilir malzemeler içerir. Varsa, atık ekipmandaki kişisel verileri silin.

## BU KILAVUZDAKİ SEMBOLLER



Ayrı satılan parçalar veya aksesuarlar



Not



Uyarı



Kilit



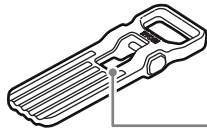
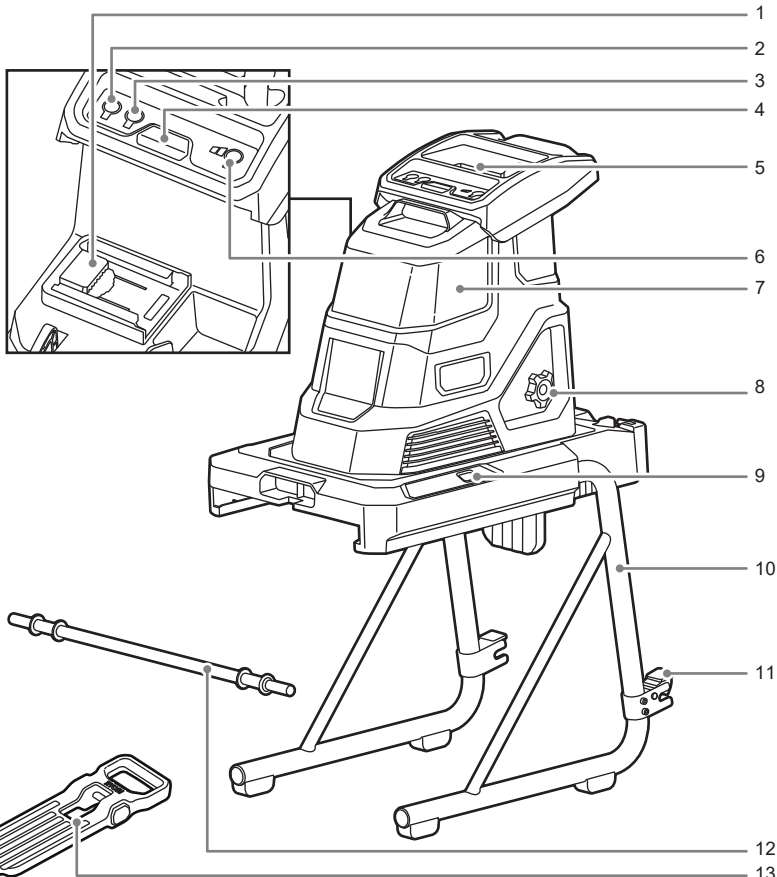
Kilidi açın

## SORUN GİDERME

SORUN	NEDENİ	EYLEM
Motor çalışmıyor.	Sıcaklık aşırı yüklenmesi	Ürünün soğuması için 15 dakika bekleyin. Bu, ortam sıcaklığı yüksek olduğunda ve ürün kesintisiz olarak sürekli olarak kullanıldığında meydana gelebilir.
	Pil	Batarya takımının tam şarj olup olmadığını, su girişi belirtisi olup olmadığını ve hasarlı olup olmadığını kontrol edin. Doğru çalıştığından emin olmak için bataryayı farklı bir aletle test edin.
	Toplama kutusu	Toplama kutusunu, kutunun yan tarafındaki etiketlere göre yerleştirin ve ön kilit devreye girecek şekilde tam olarak yerleştirildiğinden emin olun.
	Bıçak kılıfı plakası	Bıçak kılıfı plakasını sabitleyen 4 civatanın hepsinin tamamen sıkıldığından emin olun.
Malzeme kanala gitmiyor.	Materyal besleme borusuna sıkışmış.	Tıkanıklıkları temizlemek için kılavuzdaki talimatı uygulayın.
	Ezme plakası kesme bıçağından çok uzakta.	Ezme plakası ayarı için kılavuzdaki talimatı uygulayın.



**RY36SHX40-0**



12

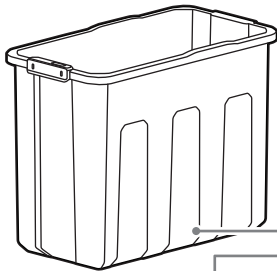
13

14

15

16

17



x2



x2



x2



x2



18

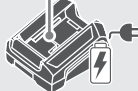
19

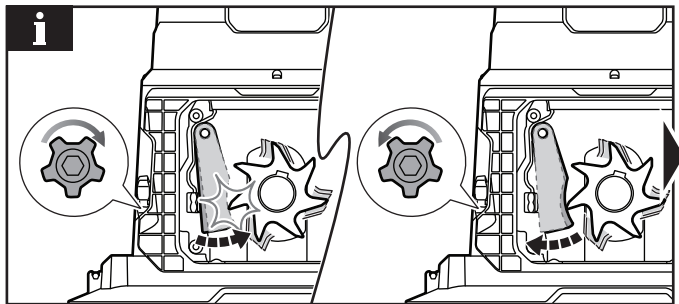
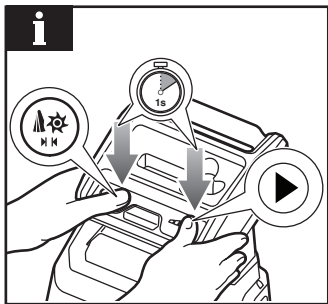
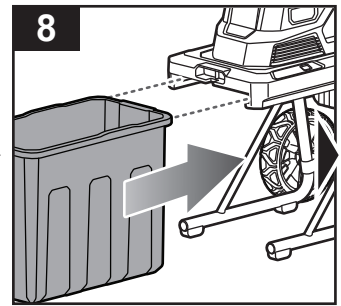
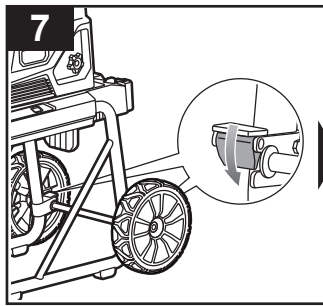
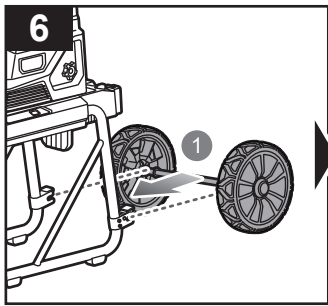
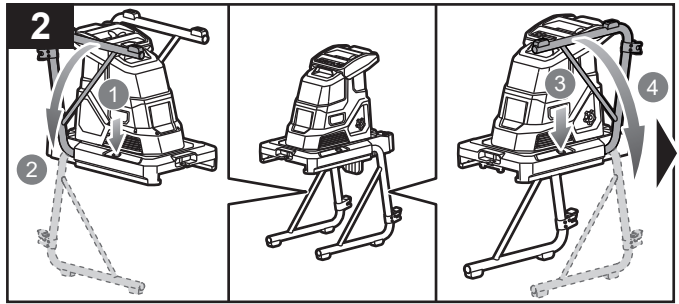
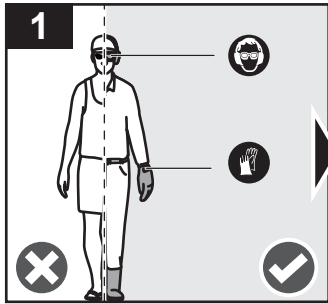
20

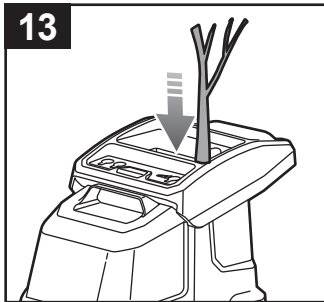
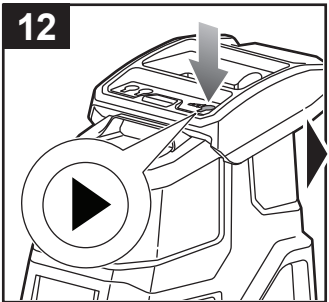
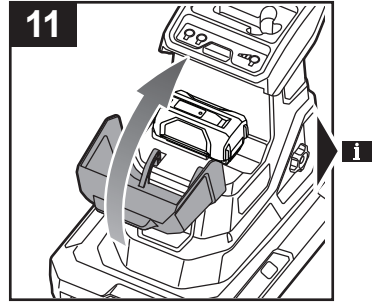
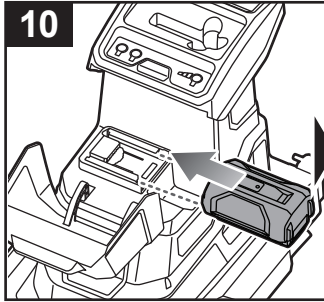
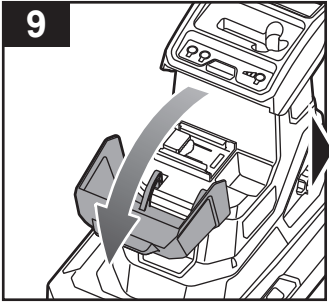
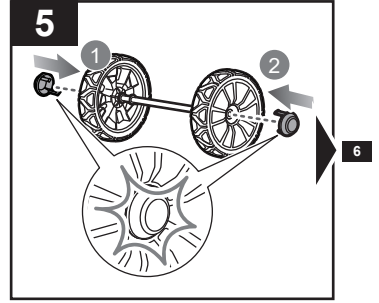
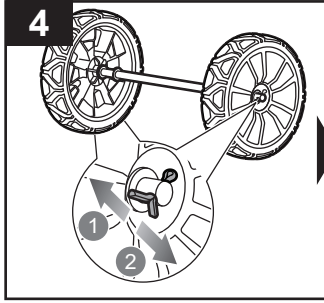
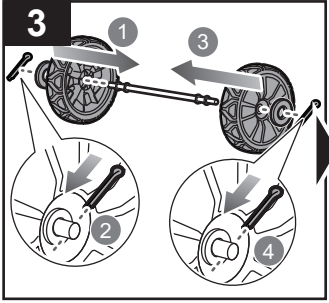
21

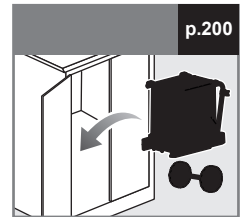
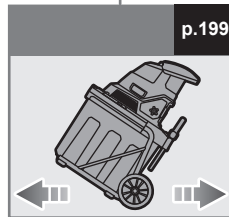
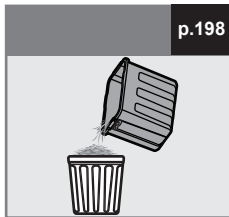
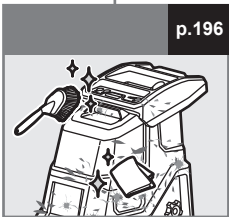
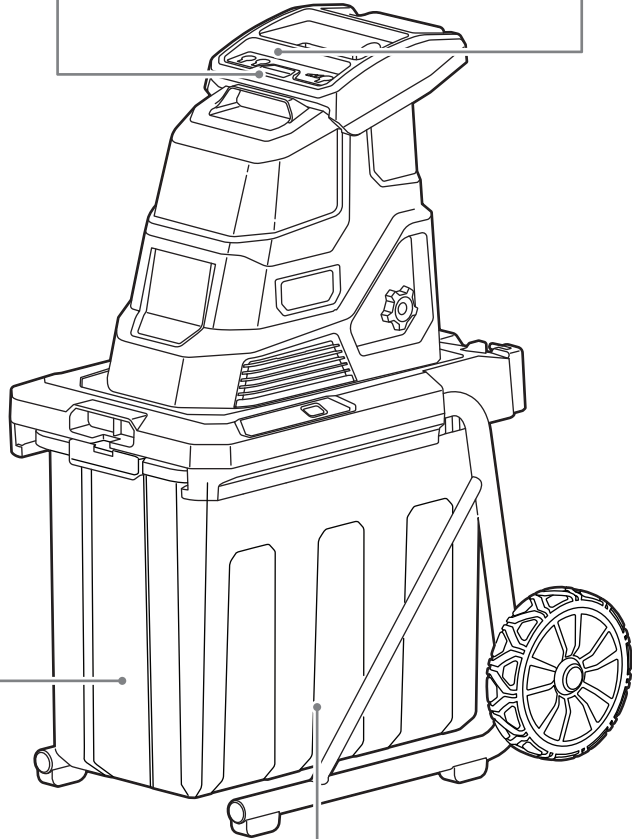
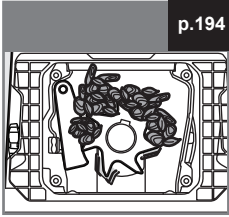
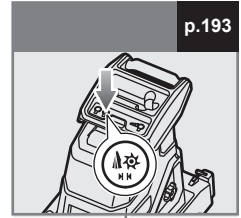
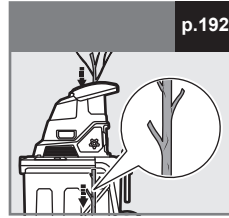
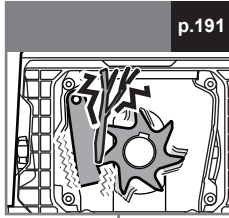
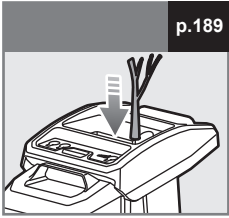
22

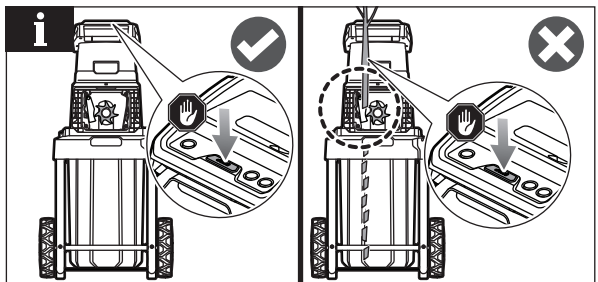
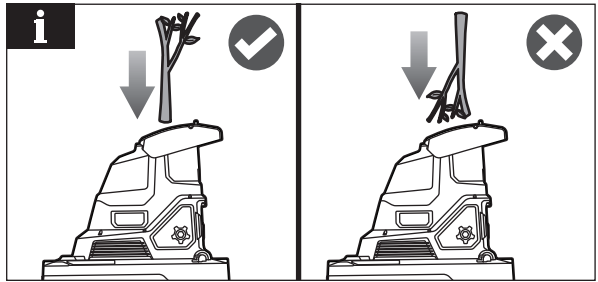
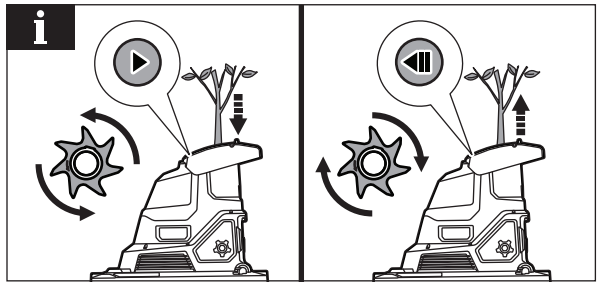
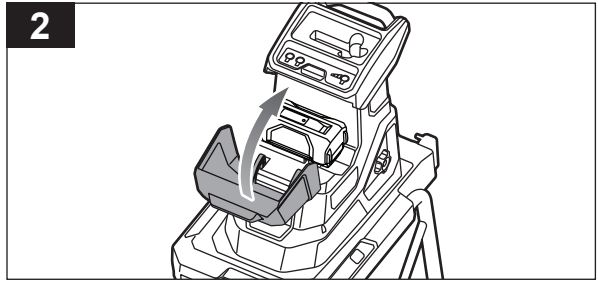
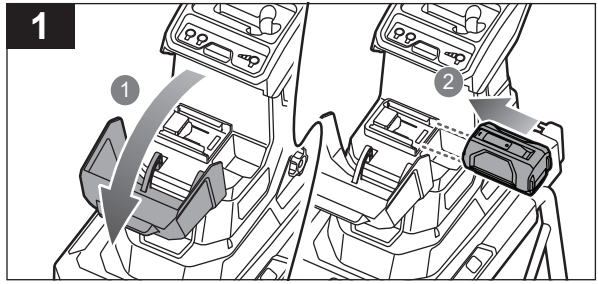
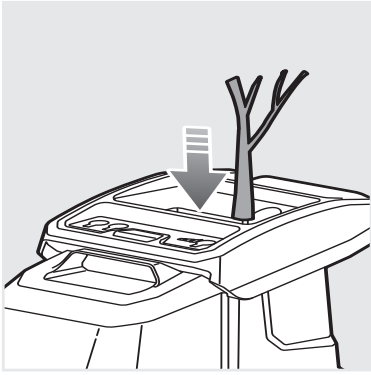
**RY36SHX40-160**

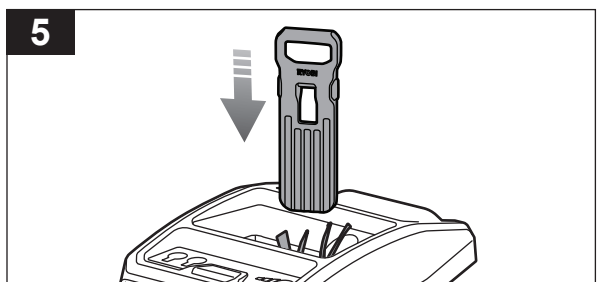
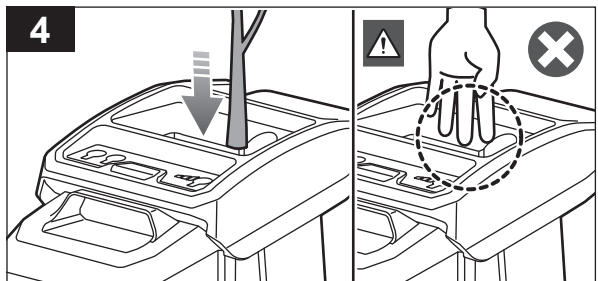
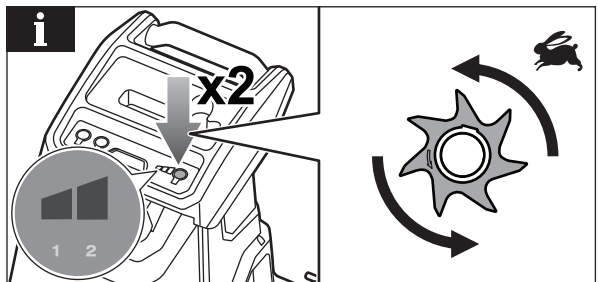
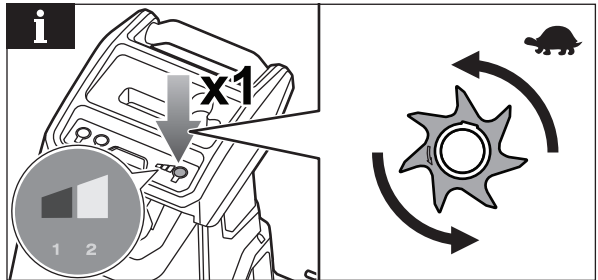
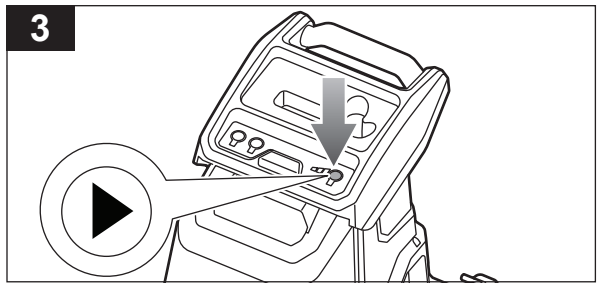


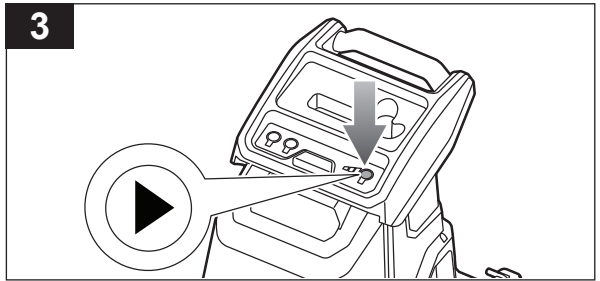
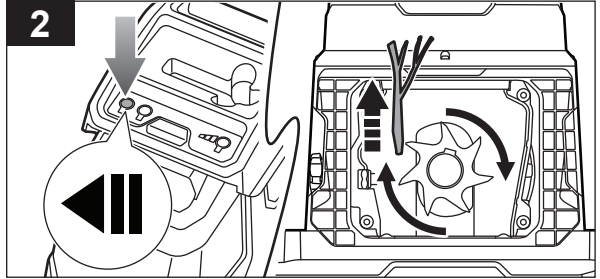
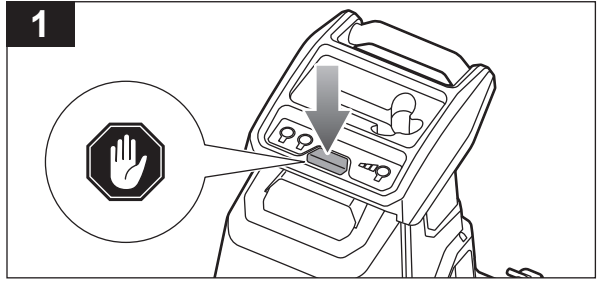
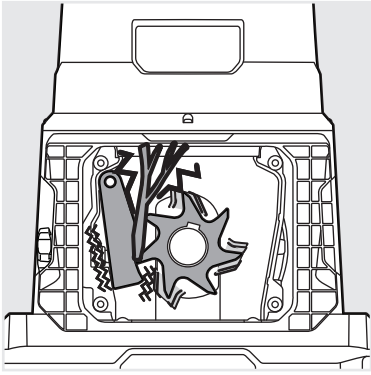


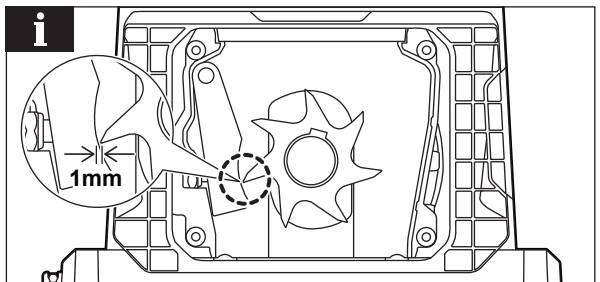
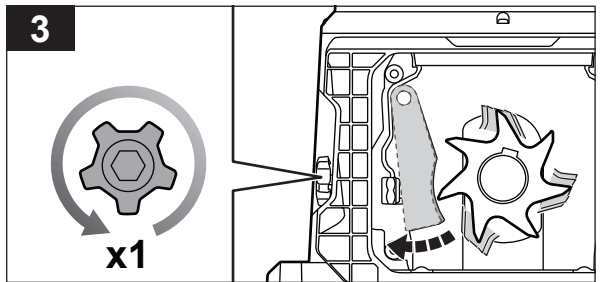
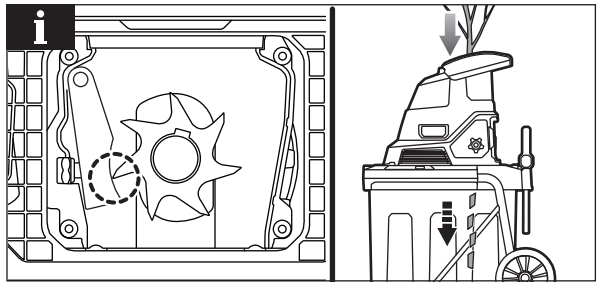
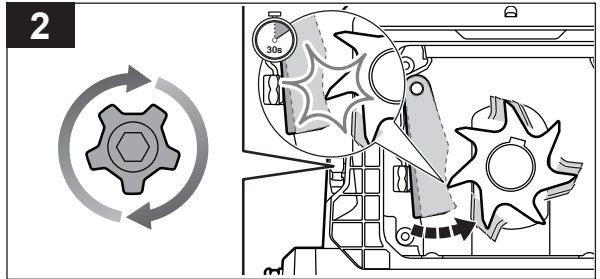
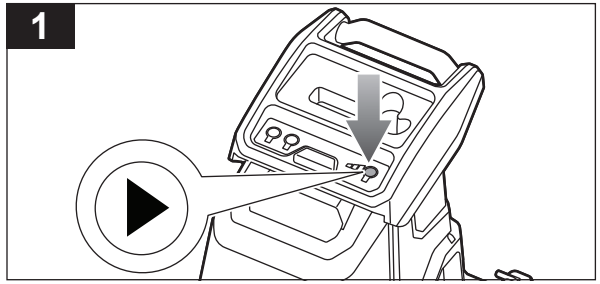
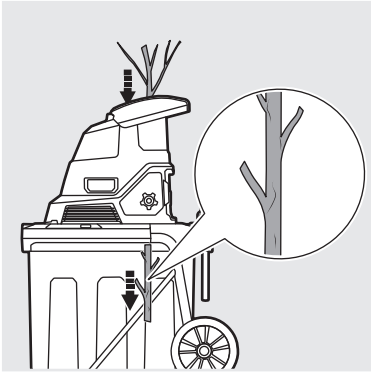




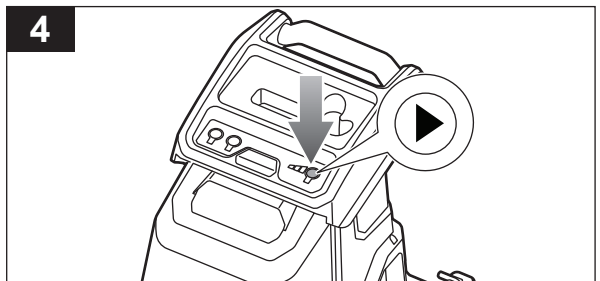
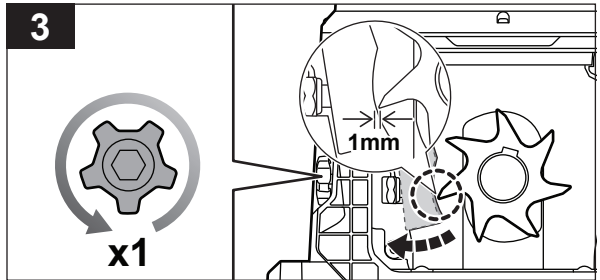
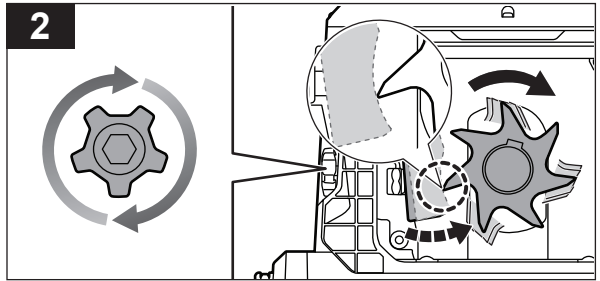
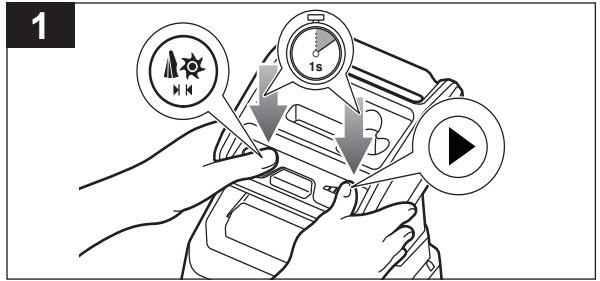
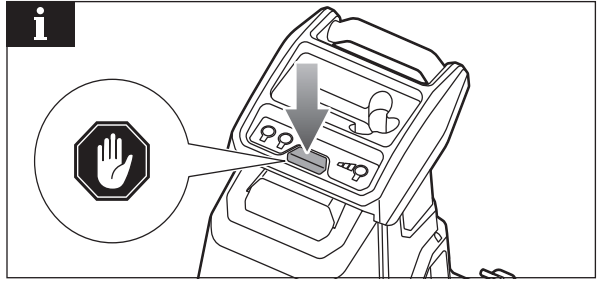


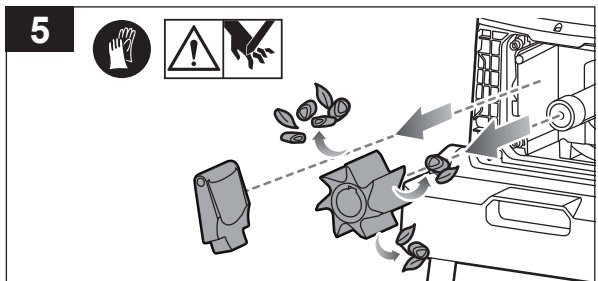
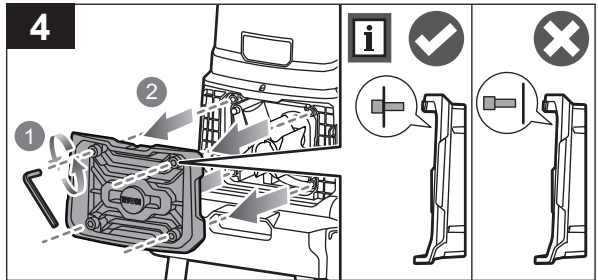
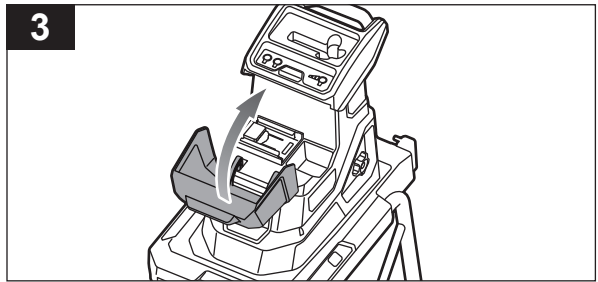
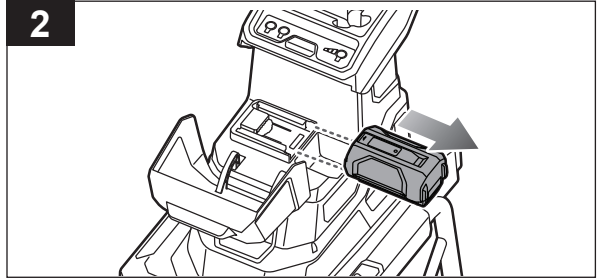
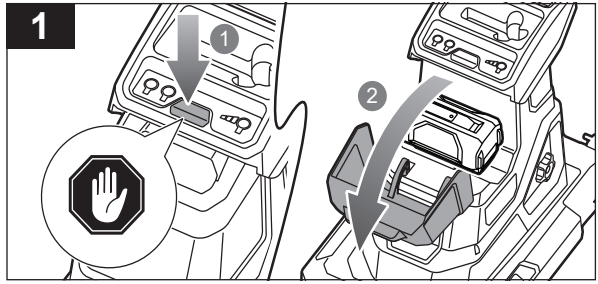
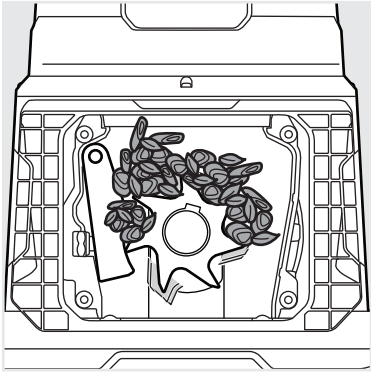


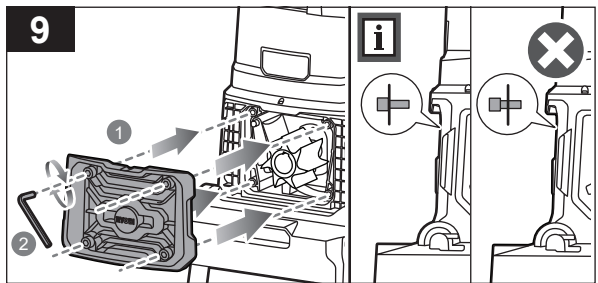
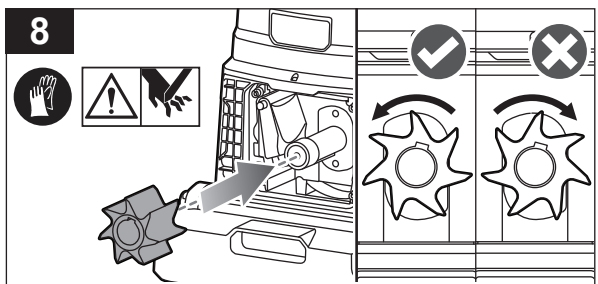
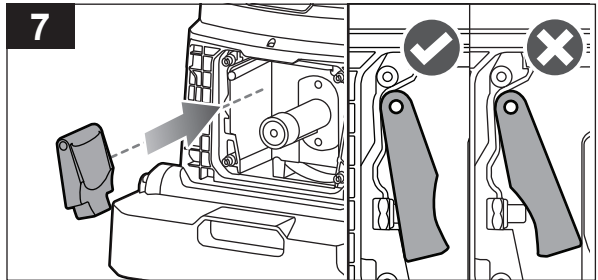
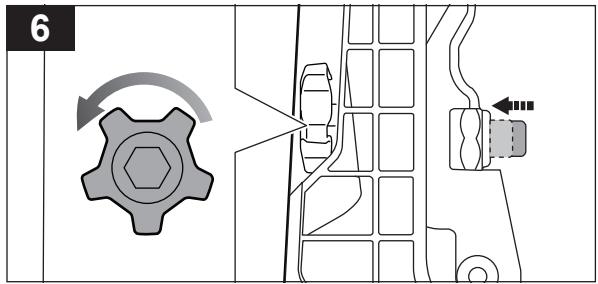


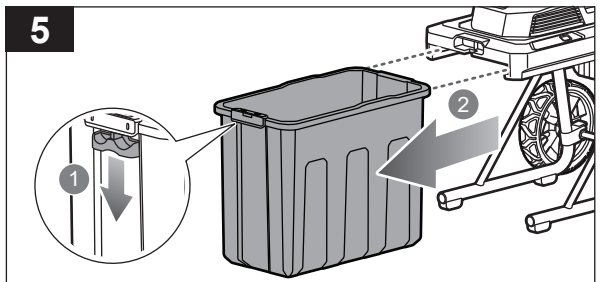
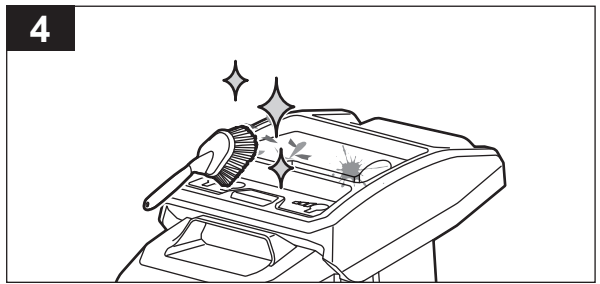
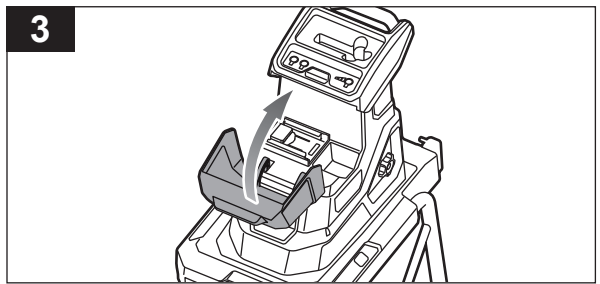
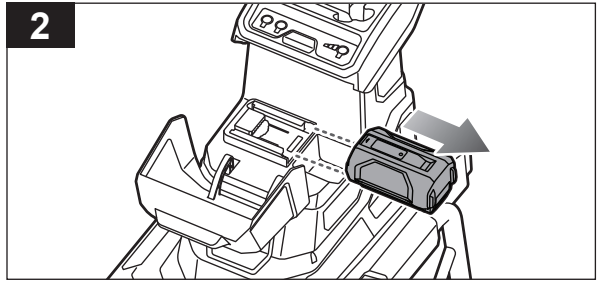
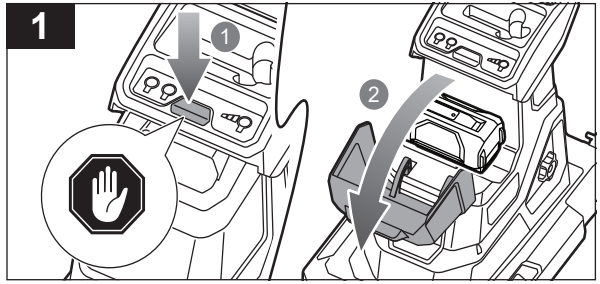
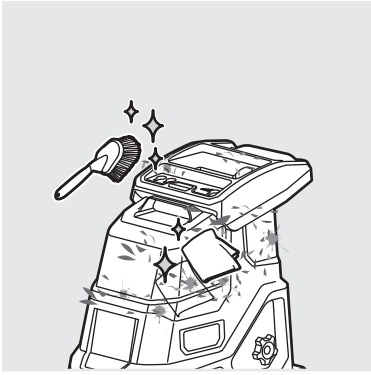




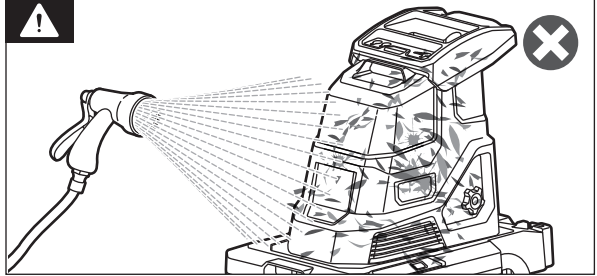
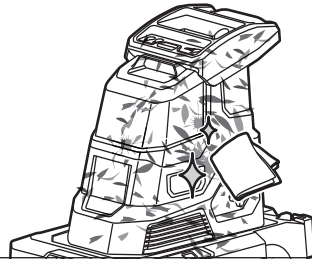


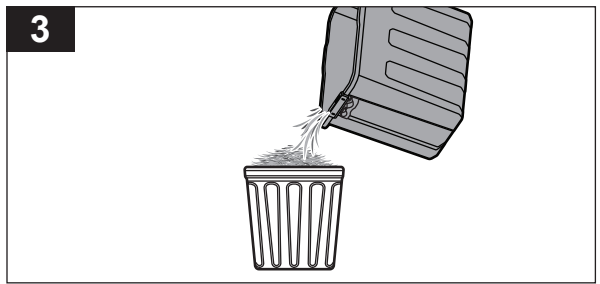
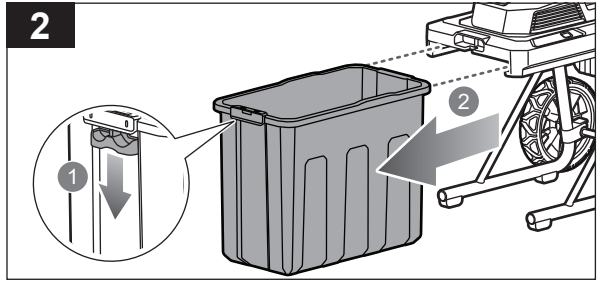
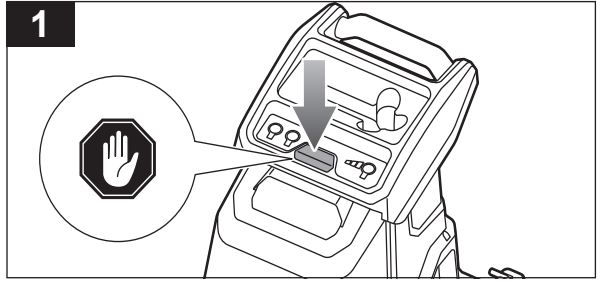
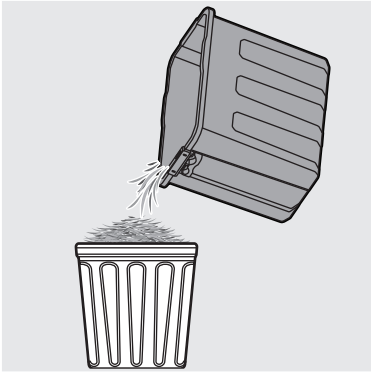


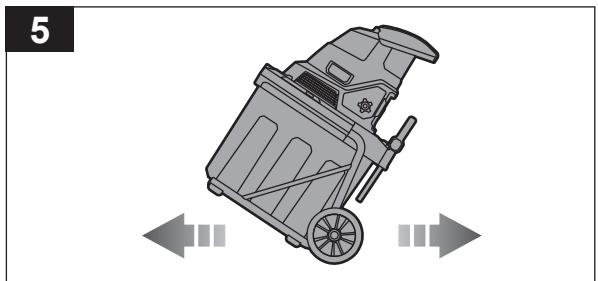
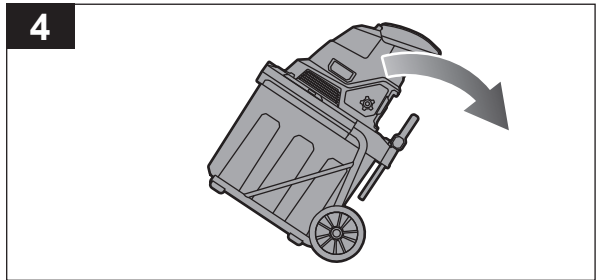
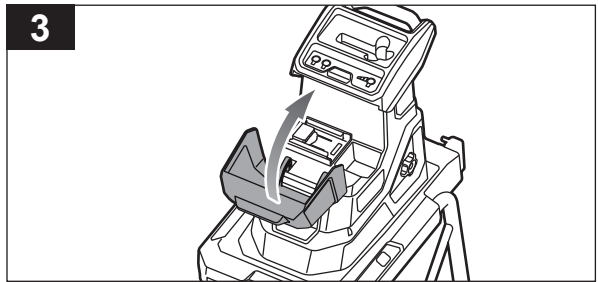
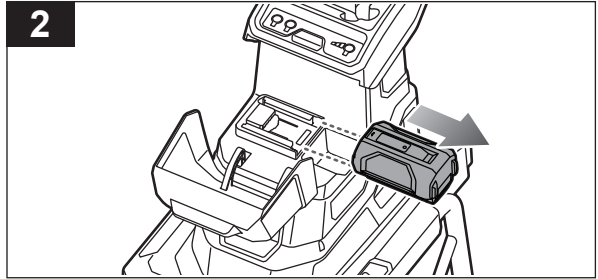
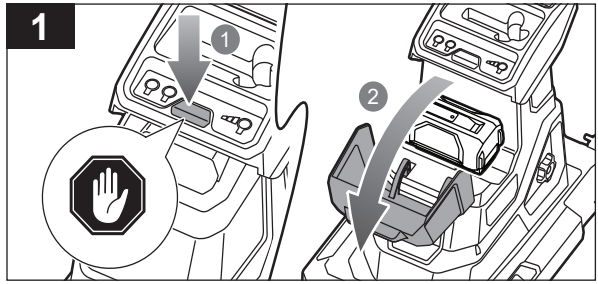
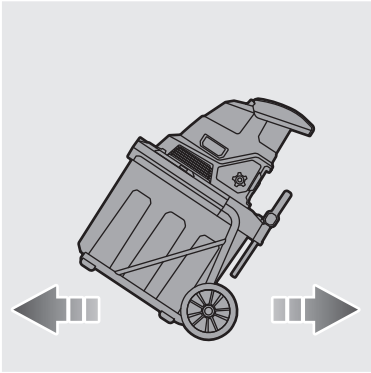


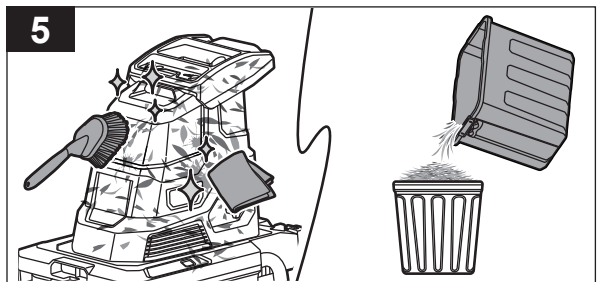
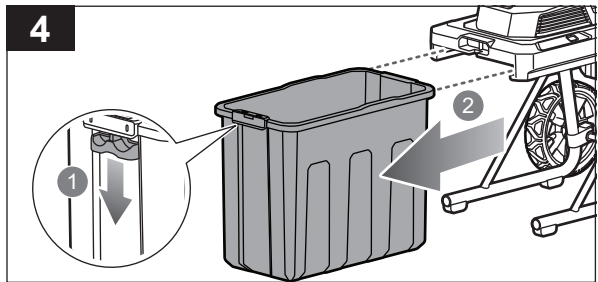
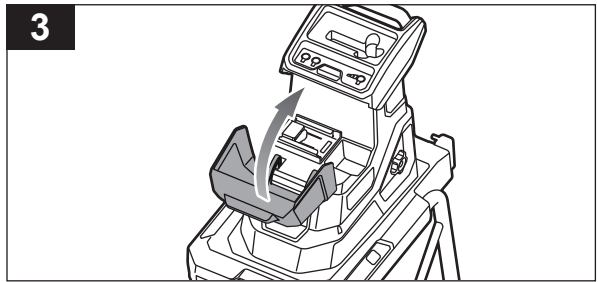
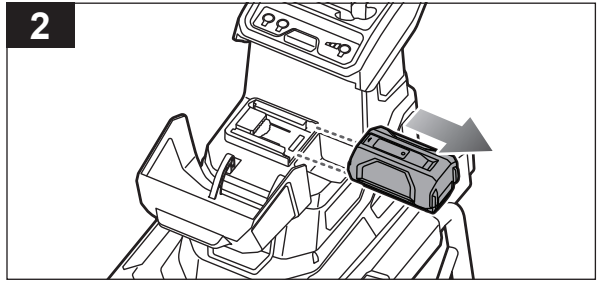
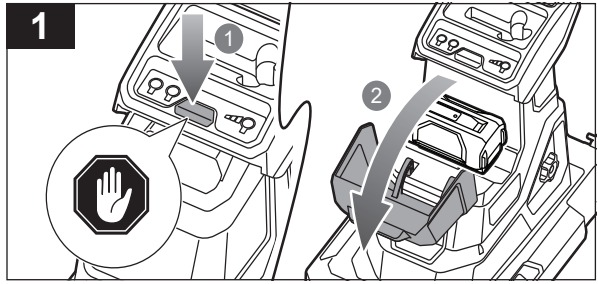
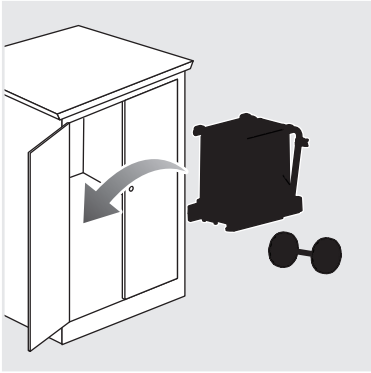


6

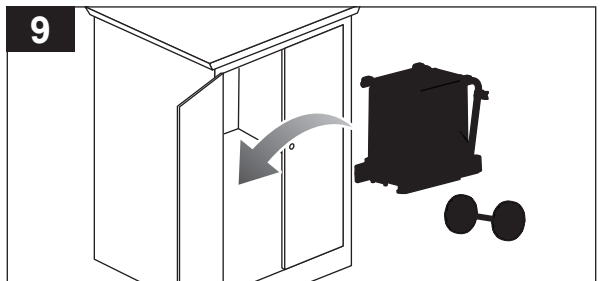
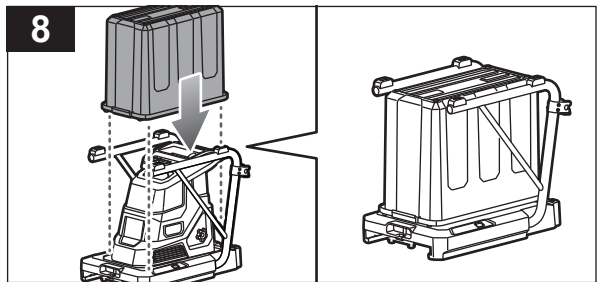
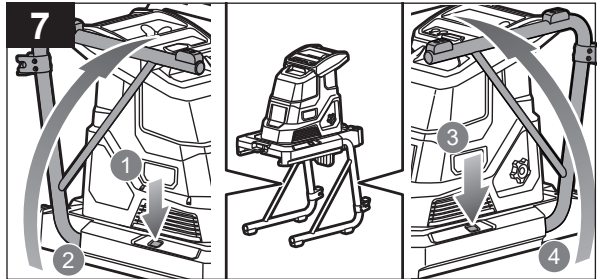
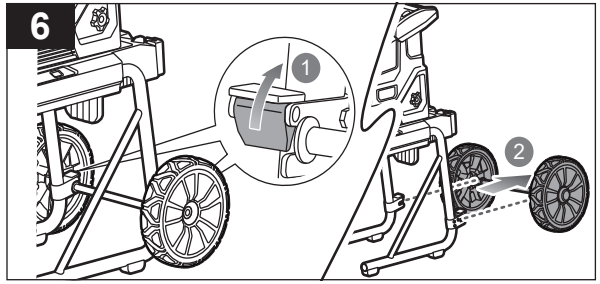














English	Français	Deutsch	Español	Italiano	Nederlands	Português
<b>Product specifications</b>	<b>Caractéristiques produit</b>	<b>Produkt-Spezifikationen</b>	<b>Características del producto</b>	<b>Caratteristiche del prodotto</b>	<b>Productgegevens</b>	<b>Características do aparelho</b>
Cordless shredder	Broyeur sans fil	Akku-Häcksler	Trituradora inalámbrica	Trituratore senza fili	Snoerloze hakselaar	Trituradora sem fios
Model	Modèle	Modell	Modelo	Modello	Model	Modelo
Rated voltage	Tension nominale	Nennspannung	Tensión nominal	Voltaggio nominale	Toegekende spanning	Tensão nominal
Maximum cutting diameter	Diamètre maximum de coupe	maximaler Schneiddurchmesser	Diámetro máximo de corte	Diametro massimo di taglio	Maximum snijdiameter	Diámetro máximo de corte
Reverse speed	Vitesse de marche arrière	Rückwärtsgang	Reverse de marcha atrás	Velocità Retromarcia	Toerental achterwaarts	Inverter velocidade
Speed 1	Vitesse 1	Geschwindigkeit 1	Velocidad 1	Velocità 1	Toerental 1	Velocidade 1
Speed 2	Vitesse 2	Geschwindigkeit 2	Velocidad 2	Velocità 2	Toerental 2	Velocidade 2
Weight	Poids	Gewicht	Peso	Peso	Gewicht	Peso
Noise emission level (in accordance with EN 50434:2014 Annex FF)	Niveau de vibration (selon l'Annexe FF de la norme EN 50434:2014)	Schallenergiepegel (gemäß Anhang FF von EN 50434:2014)	Nivel de emisión de ruido (de acuerdo con el Anexo FF de EN 50434:2014)	Livello di emissione rumore (secondo quanto disposto dall'Allegato FF della Direttiva EN 50434:2014)	Geluidsemissieniveau (in overeenstemming met bijlage FF van EN 50434:2014)	Nível de emissão de ruído (em conformidade com o Anexo FF de EN 50434:2014)
A-weighted sound pressure level at operator's position	Niveau de pression sonore pondéré A au niveau de l'opérateur	A-bewerteter Schalldruckpegel an der Position des Anwenders	Nivel de presión sonora ponderado A en la posición del operario	Livello di pressione sonora pesato A alla posizione dell'operatore	A-gewogen geluidsdruk niveau op de plaats van de bediener	Nível de pressão sonora ponderado A na posição do operador
Uncertainty of measurement	Incertitude de la mesure	Unsicherheit der Messung	Incertidumbre de medición	Incertezza delle misurazioni	Onzekerheid bij meting	Incerteza de medições
A-weighted sound power level	Niveau de puissance sonore pondéré A	A-bewerteter Schalleistungspegel	Nivel de potencia acústica ponderada en A	Livello di potenza sonora pesato A	A-gewogen geluidsniveau	Nível de potência sonora ponderada A
Uncertainty of measurement	Incertitude de la mesure	Unsicherheit der Messung	Incertidumbre de medición	Incertezza delle misurazioni	Onzekerheid bij meting	Incerteza de medições
$L_{WA} + K_{WA}$	$L_{WA} + K_{WA}$	$L_{WA} + K_{WA}$	$L_{WA} + K_{WA}$	$L_{WA} + K_{WA}$	$L_{WA} + K_{WA}$	$L_{WA} + K_{WA}$

English	Français	Deutsch	Español	Italiano	Nederlands	Português
<b>Battery and charger</b>	<b>Batterie et chargeur</b>	<b>Akku und Ladegerät</b>	<b>Batería y cargador</b>	<b>Batteria e caricatore</b>	<b>Accu en oplader</b>	<b>Bateria e carregador</b>
Model	Modèle	Modell	Modelo	Modello	Model	Modelo
Battery pack	Bloc de batterie	Akkupack	Batería	Batteria	Accu	Bateria
Charger	Chargeur	Ladegerät	Cargador	Caricatore	Lader	Carregador
Compatible battery packs	Blocs des batterie compatibles	Kompatible Akkupacks	Paquetes de batería compatibles	Gruppo batterie compatibili	Compatibele accupacks	Baterias compatíveis
Compatible chargers	Chargeur compatible	Kompatibles Ladegerät	Cargador compatible	Caricatore compatibile	Compatibele oplader	Carregador compatível

English	Français	Deutsch	Español	Italiano	Nederlands	Português
<b>Replacement parts</b>	<b>Pièces de rechange</b>	<b>Ersatzteile</b>	<b>Piezas de repuesto</b>	<b>Parti di ricambio</b>	<b>Vervangonderdelen</b>	<b>Peças de substituição</b>
Blade	Lame	Messer	Hoja	Lama	Zaagblad	Lâmina
<b>NOTE:</b> The maximum cutting diameter depends on the hardness of the wood.	<b>REMARQUE:</b> La diamètre maximum de coupe dépend de la dureté du bois.	<b>HINWEIS:</b> Der maximale Schneiddurchmesser hängt von der Härte des Holzes ab.	<b>NOTA:</b> El diámetro máximo de corte depende de la dureza de la madera.	<b>NOTA:</b> Il diametro massimo di taglio dipende dalla durezza del legno.	<b>OPMERKING:</b> De maximale zaagdiameter hangt af van de hardheid van het hout.	<b>NOTA:</b> O diâmetro máximo de corte depende da dureza da madeira.





Dansk	Svenska	Suomi	Norsk	Русский	Polski	
Produktspecifikationer	Produktspecifikationer	Tuotteen tekniset tiedot	Produktspecificasjoner	Характеристики изделия	Parametry techniczne	
Trådløs kompostkværn	Staddlös kompostkværn	Johdoton silppuri	Kabelfri kompostkværnen	Беспроводной измельчитель	Rozdrabniacz bezprzewodowy	
Model	Modell	Malli	Modell	Модель	Model	RY36SHX40
Mærkespænding	Spänning	Nimellisännite	Nominell spenning	Номинальное напряжение	Napięcie znamionowe	36 V d.c.
Max skærediameter	Max skårdiameter	Suurin leikkuusäde	Maksimum kappediameter	Максимальный диаметр измельчаемого материала	Maksymalna średnica przycinanego materiału	40 mm
Omvendt hastighed	Backhastighet	Peruutusnopeus	Revershastighet	Скорость обратного хода	Prędkość na biegu wstecznym	9/min
Hastighed 1	Hastighet 1	Nopeus 1	Hastighet 1	Скорость 1	Bieg 1	32/min
Hastighed 2	Hastighet 2	Nopeus 2	Hastighet 2	Скорость 2	Bieg 2	40/min
Vægt	Vikt	Paino	Vekt	Вес	Masa	18,18 kg
Støjemissionsniveau (iht. bilag FF til EN 50434:2014)	Bullerutsläppsnivå (enligt Annex FF i EN 50434:2014)	Melutaso (standardin EN 50434:2014 liitteen FF mukaisesti)	Støyutslippsnivå (iht. tillegg FF i EN 50434:2014)	Уровень шума (в соответствии с Приложением FF стандарта EN 50434:2014)	Poziom emisji hałasu (zgodnie z aneksem CC normy EN 50434:2014)	
A-vægtet lydtryksniveau ved operatørens position	A-viktad ljudtrycksnivå vid operatörsplats	A-painotettu käyttöjään kohdistuva äänenpainetaso	A-vektet lydtrykk ved operatørposisjon	Амплитудно-взвешенный уровень звукового давления на рабочем месте оператора	Poziom ważonego ciśnienia akustycznego w pozycji operatora	84,4 dB(A)
Målingsusikkerhed	Osäkerhet för mätt	Mittausten epätarkkuus	Usikkerhet ved måling	Погрешность измерения	Niepewność pomiaru	3,0 dB
A-vægtet lydeffektniveau	A-vägd ljudeffektsnivå	A-painotettu äänteneho	A-vektet lydeffektivnivå	Уровень А-взвешенной звуковой мощности	A-ważony poziom mocy akustycznej	91,1 dB(A)
Målingsusikkerhed	Osäkerhet för mätt	Mittausten epätarkkuus	Usikkerhet ved måling	Погрешность измерения	Niepewność pomiaru	1,66 dB
$L_{WA} + K_{WA}$	$L_{WA} + K_{WA}$	$L_{WA} + K_{WA}$	$L_{WA} + K_{WA}$	$L_{WA} + K_{WA}$	$L_{WA} + K_{WA}$	93 dB(A)

Dansk	Svenska	Suomi	Norsk	Русский	Polski	
Batteri og oplader	Batteri och batteriladdare	Akku ja laturi	Batteri og lader	Аккумуляторная батарея и зарядное устройство	Akumulator i ładowarka	
Model	Modell	Malli	Modell	Модель	Model	RY36SHX40-0 RY36SHX40-160
Batteri	Batteri	Akku	Batteri	Аккумулятор	Akumulator	- 6 Ah
Oplader	Batteriladdare	Laturi	Lader	Зарядное устройство	Ładowarka	- RY36C40A
Kompatible batterier	Kompatibla batteripaket	Yhteensopivat akut	Kompatible batteripakker	Совместимая аккумуляторная батарея	Pasujące akumulatory	BPL36... RY36B..
Kompatibel oplader	Kompatibel laddare	Yhteensopiva laturi	Kompatibel lader	Совместимое зарядное устройство	Zgodna ładowarka	BCL36... RY36C..

Dansk	Svenska	Suomi	Norsk	Русский	Polski	
Reservedele	Utbytesdelar	Varaosat	Erstatningsdeler	Запасные части	Części zamienne	
Klinge	Blad	Terä	Blad	Пильное полотно	Ostrze	5131046185 (682568001)
<b>BEMÆRK:</b> Den maksimale skærediameter afhænger af træets hårdhed.	<b>OBS:</b> Max skårdiameter beror på træs hårdhet.	<b>HUOMAUTUS:</b> Suurin leikkuuhalkaisija riippuu puun kovuudesta.	<b>MERK:</b> Maksimum kappedimensjon avhenger av hardheten på treet.	<b>ПРИМЕЧАНИЕ:</b> Максимальный диаметр разрезания зависит от твердости древесины.	<b>UWAGA:</b> Maksymalna średnica cięcia zależy od twardości drewna.	





Čeština	Magyar	Română	Latviski	Lietuviškai	Eesti	Hrvatski
<b>Technické údaje produktu</b>	<b>Termék műszaki adatai</b>	<b>Specificațiile produsului</b>	<b>Produkta specifikācijas</b>	<b>Gaminio techninės sąvaybės</b>	<b>Toote tehnilised andmed</b>	<b>Specifikacije proizvoda</b>
Akumulátorový drtič	Akkumulátoros aprító	Tocător fără fir	Akumulatoru smalcinātājs	Akumulatorinis smulkintuvas	Juhtmeta purusti	Akumulatorska rezačica
Model	Típus	Model	Modelis	Modelis	Mudel	Model
Jmenovité napětí	Névleges feszültség	Tensiunea nominală	Nominālais spriegums	Nominali įtampa	Nimipinge	Nazivni napon
Maximální drcení průměr	Maximális vágási átmérő	Diametru maxim de tăiere	Maksimālais griešanas diametrs	Didžiausias pjovimo skersmuo	Maksimaalne lõikeläbimõõt	Maksimalni promjer rezanja
Otáčky zpětného chodu	Hátrafelé irányú sebesség	Viteză inversă	Atpakgaitais ātrums	Greitis atbuline eiga	Tagurdamiskiirus	Povratna brzina
Rychlost 1	1. sebesség	Viteză 1	1. ātrums	1 greitis	Kiirus 1	Brzina 1
Rychlost 2	2. sebesség	Viteză 2	2. ātrums	2 greitis	Kiirus 2	Brzina 2
Hmotnost	Súly	Greutate	Svars	Svoris	Kaal	Težina
Hladina emise hluku (v souladu s přílohou FF normy EN 50434:2014)	Hangkibocsátási szint (az EN 50434:2014 FF függeléke szerint)	Nivel emisie zgomot (în conformitate cu Anexa FF a EN 50434:2014)	Trokšņu emisijas līmenis (saskaņā ar direktīvas EN 50434:2014 FF pielikumu)	Skleidžiamo triukšmo lygis (pagal EN 50434:2014 standarto FF priedą)	Helivõimsuse tase (vastavalt standardi EN 50434:2014 lisale FF)	Razina emisija buke (u składu s Dodatkom FF EN 50434:2014)
Hladina akustického tlaku vážená funkci A v poloze obsluhy	A-súlyozott hangnyomásszint a kezelő helyén	Valoare A nivel presiune zgomot la poziția operatorului	A–novērtējuma skaņas spiediena līmenis operatora darba vietā	A dažinīs charakteristikos garso slėgio lygis operatoriaus vietoje	A-kaalutud helirõhu tase operatori töökohtal	A-ponderirana razina zvučnog tlaka u položaju operatera
Nejistota mēreni	Mérés bizonytalansága	Nesiguranța măsurătorii	Mērijuma nenoteiktība	Matavimo paklaida	Mõõtmismääramatus	Neodređenost mjerenja
Hladina akustického výkonu vážená funkci A	A-súlyozott hangteljesítményszint	Nivel de putere acustică ponderată A	A-līmeņa skaņas jaudas līmenis	A-svertinis akustinis lygis	A-kaalutud helivõimsuse tase	Ponderirana razina zvučne snage
Nejistota mēreni	Mérés bizonytalansága	Nesiguranța măsurătorii	Mērijuma nenoteiktība	Matavimo paklaida	Mõõtmismääramatus	Neodređenost mjerenja
$L_{VIA} + K_{VIA}$	$L_{VIA} + K_{VIA}$	$L_{VIA} + K_{VIA}$	$L_{VIA} + K_{VIA}$	$L_{VIA} + K_{VIA}$	$L_{VIA} + K_{VIA}$	$L_{VIA} + K_{VIA}$

Čeština	Magyar	Română	Latviski	Lietuviškai	Eesti	Hrvatski
<b>Nabiječka a baterie</b>	<b>Akkumulátor és töltő</b>	<b>Bateria și încărcătorul</b>	<b>Akumulators un lādētājs</b>	<b>Akumulatorius ir įkroviklis</b>	<b>Aku ja laadija</b>	<b>Baterija i punjač</b>
Model	Típus	Model	Modelis	Modelis	Mudel	Model
Baterie	Akkumulátor	Acumulator	Akumulators	Baterija	Aku paketiga	Baterija
Nabiječka	Töltő	Încărcător	Lādētājs	Įkroviklis	Laadija	Punjač
Kompatibilni akumulátory	Kompatibilis akkumulátorok	Acumulatori compatibili	Savietojami akumulatoru komplekti	Suderinami baterijos paketai	Ühilduvad akupaketid	Kompatibilna pakiranjna baterija
Kompatibilni nabiječka	Kompatibilis töltő	Încărcător compatibil	Saderīgs lādētājs	Suderinamas įkroviklis	Ühilduv laadija	Kompatibilni punjači

Čeština	Magyar	Română	Latviski	Lietuviškai	Eesti	Hrvatski
<b>Náhradní díly</b>	<b>Cserealkatrészek</b>	<b>Piese de schimb</b>	<b>Rezerves daļas</b>	<b>Atsarginės detalės</b>	<b>Asendusosad</b>	<b>Zamjena dijelova</b>
Nůž	Kés	Lamă	Asmens	Geležtė	Saeleht	Oštrica
<b>POZNÁMKA:</b> Maximální průměr k drcení závisí na tvrdosti dřeva.	<b>MEGJEGYZÉS:</b> A maximális vágási átmérő a fa keménységétől függ.	<b>NOTĂ:</b> Diametrul maxim de duritate lemnului.	<b>PIEZĪME:</b> Maksimālais griešanas diametrs ir atkarīgs no koka cietības.	<b>PASTABA:</b> Didžiausias pjovimo skersmuo priklauso nuo medžio kietumo.	<b>MÄRKUS:</b> Lõikamise maksimaalläbimõõt sõltub puidu kõvadusest.	<b>NAPOMENA:</b> Maksimalni promjer rezanja ovisi o tvrdoci drveta.





Slovenščina	Slovenčina	България	українська	Türkçe	
<b>Specifikacije izdelka</b>	<b>Špecifikácie produktu</b>	<b>Технически характеристики</b>	<b>Технічні характеристики пристрою</b>	<b>Ürün teknik özellikleri</b>	
Brezlični drobilnik	Akumulátorová drvička	Безкабелна дробилка	Бездротовий подрібнювач	Kablosuz parçalama makinesi	
Model	Modelis	Модел	Модель	Model	RY36SHX40
Nazivna napetost	Menovité napätie	Номинален волтаж	Номинальна напруга	Nominal voltaj	36 V d.c.
Največji premer rezanja	Maximálne rezný priemer	Максимален диаметър на рязане	Максимальний діаметр різання	Maksimum kesme çapı	40 mm
Povratna hitrost	Rýchlosť spätného chodu	Реверсивна скорост	Швидкість руху у зворотному напрямі	Ters hız	9/min
Hitrost 1	Rýchlosť na 1. stupni	Скорост 1	Швидкість 1	Hız 1	32/min
Hitrost 2	Rýchlosť na 2. stupni	Скорост 2	Швидкість 2	Hız 2	40/min
Teža	Hmotnosť	Тегло	Вага	Ağırlık	18,18 kg
Raven emisij hrupa (v skladu z dodatkom FF standarda EN 50434:2014)	Úroveň emisij hluku (v súlade s Dodatkom FF v EN 50434:2014)	Ниво на шумовите емисии (в съответствие с приложение FF на EN 50434:2014)	Рівень шуму (відповідно до EN 50434:2014 додаток FF)	Gürültü emisyon seviyesi (EN 50636:2014 Ek FF uyarınca)	
A-vrednotena raven zvočnega tlaka na položaju upravljavca	Vážená A hladina akustického tlaku na pozícií operátora	Ниво на шумово налягане с равнище А на мястото на оператора	Рівень звукового тиску за шкалою А для оператора пристрою	Kullanıcı pozisyonundaki A ağırlıklı ses basıncı seviyesi	84,4 dB(A)
Negotovost meritev	Nespolahlivost meraní	Несигурност на измерването	Невизначеність вимірювання	Ölçüm bilinmiyor	3,0 dB
A-izmerjena raven zvočne moči	Vážená A hladina akustického výkonu	Ниво на силата на шума с равнище А	А-зважений рівень звукової потужності	A ağırlıklı ses gücü seviyesi	91,1 dB(A)
Negotovost meritev	Nespolahlivost meraní	Несигурност на измерването	Невизначеність вимірювання	Ölçüm bilinmiyor	1,66 dB
$L_{WA} + K_{WA}$	$L_{WA} + K_{WA}$	$L_{WA} + K_{WA}$	$L_{WA} + K_{WA}$	$L_{WA} + K_{WA}$	93 dB(A)

Slovenščina	Slovenčina	България	українська	Türkçe		
<b>Baterija in polnilnik</b>	<b>Akumulátor a nabíjačka</b>	<b>Батерия и зарядно устройство</b>	<b>Акумулятор і зарядний пристрій</b>	<b>Pil ve şarj cihazı</b>		
Model	Modelis	Модел	Модель	Model	RY36SHX40-0	RY36SHX40-160
Akumulátor	Batéria	Батерия	Акумуляторна батерия	Pil	-	6 Ah
Polnilec	Nabíjačka	Зарядно устройство	Зарядний пристрій	Şarj cihazı	-	RY36C40A
Zdrújlive baterije	Kompatibilné jednotky akumulátorov	Съвместими батерии	Сумісні акумуляторні блоки	Uyumlu pil takımları	BPL36..., RY36B..	
Zdrújliv polnilec	Kompatibilná nabíjačka	Съвместимо зарядно устройство	Сумісний зарядний пристрій	Uyumlu şarj cihazı	BCL36..., RY36C..	

Slovenščina	Slovenčina	България	українська	Türkçe	
<b>Nadomestni deli</b>	<b>Náhradné diely</b>	<b>Резервни части</b>	<b>Запасні частини</b>	<b>Yedek Parça</b>	
Rezilo	Ostrie	Острие	Лезо	Biçak	5131046185 (682568001)
<b>OPOMBA:</b> Največji premer rezanja je odvisen od trdote lesa.	<b>POZNÁMKA:</b> Maximálny rezný priemer závisí od tvrdosti dreva.	<b>ЗАБЕЛЕЖКА:</b> Максималния диаметър на рязане зависи от твърдостта на дървесината.	<b>ПРИМІТКА:</b> Максимальний діаметр різання залежить від твердості деревини.	<b>NOT:</b> Maksimum kesme çapı odunun sertliğine bağlıdır.	



EN

**⚠ WARNING**

The declared vibration total values and the declared noise emission values given in this instruction manual have been measured in accordance with a standardised test and may be used to compare one tool with another. They may be used for a preliminary assessment of exposure.

The declared vibration and noise emission values represent the main applications of the tool. However, if the tool is used for different applications, used with different accessories, or poorly maintained, the vibration and noise emission may differ. These conditions may significantly increase the exposure levels over the total working period. An estimation of the level of exposure to vibration and noise should take into account the times when the tool is turned off or when it is running idle. These conditions may significantly reduce the exposure level over the total working period.

Identify additional safety measures to protect the operator from the effects of vibration and noise, such as maintaining the tool and the accessories, keeping the hands warm (in case of vibration), and organising work patterns.

FR

**⚠ AVERTISSEMENT**

Le niveau total de vibrations et le niveau total d'émissions sonores déclarés indiqués dans ce manuel d'instruction ont été mesurés selon une méthode de test normalisée et peut servir de référence pour comparer les outils entre eux. Ils peuvent servir d'évaluation préliminaire à l'exposition.

Les niveaux d'émissions sonores et de vibrations déclarés représentent les principales applications de l'outil. Toutefois, si l'outil est utilisé pour des applications différentes ou des accessoires différents, ou s'il est mal entretenu, les vibrations émises peuvent varier. Ces facteurs pourraient augmenter considérablement les niveaux d'exposition sur la durée totale d'utilisation. Une estimation du niveau d'exposition aux vibrations et du bruit doit aussi prendre en compte les périodes durant lesquelles l'outil est éteint ou lorsqu'il fonctionne à vide. Ces facteurs pourraient réduire considérablement le niveau d'exposition sur la durée totale d'utilisation.

Identifiez toute mesure de sécurité supplémentaire à observer pour protéger l'opérateur des effets des vibrations et du bruit, comme l'entretien de l'outil et des accessoires, le maintien au chaud des mains (en cas de vibrations), et l'élaboration de schémas de pulvérisation.

DE

**⚠ WARNUNG**

Die in dieser Anleitung deklarierten Gesamtwerte der Schwingungsemission und die deklarierten Werte der Geräuschemission wurden gemäß einer standardisierten Testmethode gemessen und können verwendet werden, um Werkzeuge miteinander zu vergleichen. Sie können für eine vorläufige Beurteilung der Belastung verwendet werden.

Die deklarierten Werte für Schwingungs- und Geräuschemission treffen auf die Hauptanwendung des Werkzeugs zu. Wenn jedoch das Werkzeug für verschiedene Anwendungen oder mit unterschiedlichem Zubehör genutzt wird oder schlecht gewartet ist, kann die Schwingungs- und Geräuschemission variieren. Diese Bedingungen können das Belastungsniveau über die gesamte Arbeitszeit deutlich steigern. Eine Schätzung der Schwingungsbelastung sollte auch die Zeiten berücksichtigen, in denen das Werkzeug ausgeschaltet ist oder im Leerlauf läuft. Diese Bedingungen können das Belastungsniveau über die gesamte Arbeitszeit deutlich reduzieren.

Legen Sie zusätzliche Sicherheitsmaßnahmen fest, um den Bediener vor den Auswirkungen von Schwingung und Geräuschen zu schützen, z. B. Warten des Geräts und der Zubehörteile, Warmhalten der Hände (bei Schwingung) und Organisieren der Tätigkeiten.

ES

**⚠ ADVERTENCIA**

Los valores totales de emisión de vibración declarados y los valores de emisiones de ruido declarados que se indican en este manual de instrucciones se han calculado según lo establecido en una prueba estandarizada y se pueden utilizar para comparar una herramienta con otra. Se pueden utilizar para una evaluación preliminar de exposición.

Los valores declarados de emisión de vibración y ruido representan las aplicaciones principales de la herramienta. No obstante, si la herramienta se utiliza para diferentes aplicaciones, con distintos accesorios o con un mantenimiento deficiente, la emisión de vibración y ruido podría diferir. Estas condiciones podrían aumentar significativamente los niveles de exposición sobre el periodo de funcionamiento total. Una estimación del nivel de exposición a la vibración y el ruido debería también tenerse en cuenta cuando la herramienta está apagada o cuando funciona a baja intensidad. Estas condiciones podrían reducir significativamente el nivel de exposición sobre el periodo de funcionamiento total.

Identifique cualquier medida de protección adicional para proteger al operario de los efectos de la vibración y el ruido, como el mantenimiento de la herramienta y los accesorios, mantener las manos calientes (en caso de vibración) y la organización de los patrones de trabajo.

IT

**⚠ AVVERTENZE**

Il livello di emissioni di vibrazioni riportato in questa scheda informativa è stato misurato con un metodo di prova standardizzata ed è utilizzabile per confrontare gli utensili fra di loro. Questi possono essere usati per una valutazione preliminare dell'esposizione.

I valori di emissione di rumori e vibrazioni rappresentano le principali applicazioni dello strumento. Tuttavia, se l'utensile viene utilizzato in applicazioni differenti, con differenti accessori o con scarsa manutenzione, l'emissione di vibrazioni e rumori può essere diversa. Queste condizioni possono significativamente aumentare il livello di esposizione nel periodo di lavoro totale. Una stima del livello di esposizione alle vibrazioni e ai rumori va presa in considerazione anche quando l'utensile viene spento oppure è in funzione a folle. Queste condizioni possono significativamente ridurre il livello di esposizione nel periodo di lavoro totale.

Identificare le misure di sicurezza aggiuntive per proteggere l'operatore dagli effetti di vibrazioni e rumori, come la manutenzione di strumento e accessori, mantenendo le mani calde (in caso di vibrazione) e le modalità di lavoro.

NL

**⚠ WAARSCHUWING**

Het gespecificeerde totale trillingswaarden en geluidsemissiewaarden in deze instructiehandleiding zijn gemeten overeenkomstig een gestandaardiseerde test en kunnen worden gebruikt om gereedschappen met elkaar te vergelijken. Ze kunnen worden gebruikt voor een voorafgaande beoordeling van blootstelling.

De gespecificeerde trillings- en geluidsemissiewaarden vertegenwoordigen de belangrijkste toepassingen van het gereedschap. Als het gereedschap echter voor andere toepassingen of met andere accessoires wordt gebruikt slecht wordt onderhouden, kunnen de trillings- en geluidsemissiewaarden afwijken. Deze omstandigheden kunnen het blootstellingsniveau over de gehele gebruiksperiode aanzienlijk verhogen. Een schatting van het niveau van blootstelling aan trillingen en geluid dient ook rekening te houden met de perioden dat het gereedschap is uitgeschakeld of is ingeschakeld maar niet wordt gebruikt. Deze omstandigheden kunnen de blootstellingsniveaus over de gehele gebruiksperiode aanzienlijk verhogen.

Stel aanvullende veiligheidsmaatregelen vast om de gebruiker te beschermen tegen de effecten van trillingen en geluid, zoals onderhoud van het gereedschap en de accessoires, het warm houden van de handen (in geval van trillingen) en het organiseren van werkpatronen.

PT

**⚠ AVISO**

Os valores de vibração totais declarados e o nível de emissão de ruído dado nesta ficha de informações foi medido de acordo com um teste normalizado e pode ser utilizado para fazer comparações entre ferramentas. Podem ser utilizados para uma avaliação preliminar da exposição.

O nível declarado de emissão de vibrações e ruído representa as aplicações principais da ferramenta. Contudo, se a ferramenta for utilizada para várias aplicações, com diferentes acessórios ou se receber manutenção insuficiente, a emissão de vibrações e ruído pode ser diferente. Estas condições podem aumentar significativamente o nível de exposição ao longo do período total de trabalho. Uma estimativa do nível de exposição às vibrações e ruído deverá também levar em conta os tempos que a ferramenta está desligada ou que está a funcionar mas sem estar a ser utilizada para trabalho. Estas condições podem reduzir significativamente o nível de exposição ao longo do período total de trabalho.

Identifique medidas de segurança adicionais para proteger o operador dos efeitos da vibração e ruído, tal como a manutenção da ferramenta e dos acessórios, manter as mãos quentes (em caso de vibração) e organizar padrões de trabalho.

DA

**⚠ ADVARSEL**

Vibrations- og støjemissionsværdierne, der er angivet i denne vejledning er målt i overensstemmelse med en standardiseret test og kan bruges til at sammenligne et værktøj med et andet. De kan bruges til en foreløbig vurdering af udsættelse.

De angivne vibrations- og støjemissionsværdier repræsenterer værktøjets hovedanvendelser. Hvis værktøjet midlertidigt anvendes til andre formål med forskellig tilbehør eller er dårligt vedligeholdt, kan vibrations- og lydmissionen afvige. Disse forhold kan i væsentlig grad forøge udsættelsesniveauet over den samlede arbejdsperiode. Et overblik over udsættelsesniveauet for vibrationer og støj bør også tage højde for de gange, hvor værktøjet er slukket, eller når det kører i tomgang. Disse forhold kan i betragteligt omfang reducere udsættelsesniveauet over den samlede arbejdsperiode.

Find yderligere sikkerhedsforanstaltninger, der kan beskytte operatøren mod virkningerne af vibrationer og støj, såsom vedligeholdelse af værktøjet og tilbehøret, holde hænderne varme (i tilfælde af vibrationer) og organisering af arbejdsmonster.

SV

**⚠ VARNING**

De angivna totala vibrations- och bulleremissionsvärdena som anges i denna instruktionsmanual har uppmätts i enlighet med ett standardiserat test och kan användas för att jämföra olika verktyg. De kan användas för en preliminär bedömning av exponering.

De angivna vibrations- och bulleremissionsvärdena representerar verktygets huvudsakliga användningsområden. Om verktyget emellertid används i andra tillämpningar, med andra tillbehör eller underhålls bristfälligt, kan vibrationer och bulleremission skilja sig från de angivna. Dessa förhållanden kan öka exponeringsnivåerna under den totala arbetsperioden avsevärt. En uppskattning av exponeringsnivån för vibrationer och buller bör även ta med i beräkningen de tider då verktyget är avstängt eller när det är igång men inte används i arbete. Dessa förhållanden kan minska exponeringsnivån under den totala arbetsperioden avsevärt.

Identifiera ytterligare säkerhetsåtgärder för att skydda operatören från effekterna av vibrationer och buller, såsom att underhålla verktyget och tillbehören, hålla händerna varma (i händelse av vibrationer) och organisera arbetsmönster.

FI

**⚠ VAROITUS**

Tässä ohjekäsikirjassa tänäkin annetut kokonaisarvot ja ilmoitetut melupäästöarvot on mitattu standardoiduin kokein mukaisesti, ja niitä voidaan käyttää työkalujen vertaamiseen toisiinsa. Niitä voidaan käyttää alitustumisen alustavaan arvioimiseen.

Ilmoitetut värähdys- ja melupäästöarvot koskevat työkalun pääkäyttötarkoituksia. Värähdys- ja melupäästöarvot voivat kuitenkin vaihdella, jos työkalua käytetään eri käyttötarkoituksiin, eri tarvikkeilla tai huonosti huollettuina. Mainitut olosuhteet saattavat nostaa alitustumistasoa huomattavasti kokonaistyöajaksi aikana. Värähdys- ja melun alitustumistason arviointi tulisi ottaa huomioon myös silloin, kun työkalu on kytetty pois päältä tai kun se on käynnissä, mutta sitä ei varsinaisesti käytetä. Mainitut olosuhteet saattavat vähentää huomattavasti alitustumistasoa kokonaistyöajaksi aikana.

Lisävaroitimenpiireillä, kuten työkalun ja lisävarusteiden huoltamisella, käsien lämpimänä pitämisellä (värähdys tapauksessa) ja työmallien järjestämisellä, voit suojella käyttäjäsi värähdystä ja melulta.

NO

**⚠ ADVARSEL**

De erklærte totale vibrasjonsverdiene og de erklærte støytstøttsverdiene gitt i denne brukerhåndboken har blitt målt i samsvar med en standardisert test og kan brukes til å sammenligne ett verktøy med ett annet. De kan brukes for en preliminær vurdering av eksponering.

De opplyste vibrasjons- og støytstøttsverdiene representerer verktøyets hovedbruksområder. Men hvis verktøyet brukes til ulike bruksområder, brukes med ulike tilbehør eller vedlikeholdet er dårlig, kan vibrasjons- og støytstøttsverdiene forskjellig. Disse forholdene kan øke eksponeringsnivået betraktelig i løpet av hele arbeidsperioden. En vurdering av eksponeringsnivået for vibrasjon og støyt skal ta hensyn til de gangene verktøyet er slått av eller går på tomgang. Disse forholdene kan betydelig redusere eksponeringsnivået over den totale arbeidsperioden.

Identifiser ytterligere sikkerhetstiltak for å beskytte operatøren mot virkningen av vibrasjon og støyt, slik som å vedlikeholde verktøyet og tilbehøret, holde hendene varme (i tilfelle vibrasjon) eller organisere arbeidsmønstre.

RU

**⚠ ОСТОЖО**

Заявленные данные о совокупном уровне вибрационного и шумового воздействия, указанные в настоящем руководстве, получены в ходе стандартизированных исследований и могут использоваться для сравнения инструментов. Могут применяться в рамках предварительной оценки степени воздействия.

Заявленный уровень вибрационного и шумового воздействия учитывает основные области применения инструмента. При этом, если инструмент используется иным образом, с другим оборудованием либо некачественно обслуживается, степень вибрационного и шумового воздействия может отличаться. В рамках всего периода эксплуатации эти условия могут способствовать значительному повышению уровня воздействия. Расчет уровня вибрационного и шумового воздействия должен также проводиться с учетом количества выключений инструмента и продолжительности работы на холостом ходу. В рамках всего периода эксплуатации эти условия могут способствовать значительному снижению уровня воздействия.

Обеспечьте дополнительные меры защиты оператора от воздействия вибрации и шума, например, техническое обслуживание инструмента и принадлежности, поддержание температуры рук (в случае вибрации) и организации графика работ.

PL

**⚠ OSTRZEŻENIE**

Podany w niniejszej instrukcji łączny poziom emisji wibracji zmierzono zgodnie ze znormalizowaną metodą testowania — może on być wykorzystywany do wzajemnego porównywania narzędzi. Można go wykorzystywać do wstępnej oceny narażenia.

Deklarowany poziom emisji wibracji i hałasu odpowiada głównym zastosowaniom narzędzia. Jeżeli jednak narzędzie będzie używane do innych zastosowań lub z innymi akcesoriami, bądź też jeśli będzie niewłaściwie konserwowane, poziom emisji wibracji i hałasu może się różnić. Warunki takie mogą doprowadzić do znaczącego wzrostu poziomu narażenia w całym okresie eksploatacji. Oszacowanie poziomu narażenia na wibracje i hałas powinno również uwzględniać okresy, w których narzędzie jest wyłączone bądź działa, ale nie jest wykorzystywane do pracy. Warunki takie mogą doprowadzić do znaczącego ograniczenia poziomu narażenia w całym okresie eksploatacji.

Należy zidentyfikować dodatkowe środki bezpieczeństwa mające na celu ochronę operatora przed skutkami wibracji i hałasu, takie jak konserwacja narzędzia i akcesoriów, utrzymywanie ciepła dłoni (w przypadku wibracji) oraz organizacja pracy.

CS

**⚠ VAROVÁNÍ**

Deklarované celkové hodnoty vibrací a deklarované hodnoty hlučnosti uvedené v tomto návodu byly změněny standardizovanou zkušební metodou a mohou být použity k porovnání jednoho mlohače s druhým. Mohou být použity k předběžnému posouzení vystavení vibracím a hluku.

Deklarované hodnoty vibrací a hlučnosti jsou vymezeny hlavními způsoby použití tohoto mlohače. Pokud je však mlohač použit jiným způsobem, s jiným příslušenstvím nebo při nedostatečné údržbě, úroveň vibrací a hluku se mohou lišit. Tyto podmínky mohou podstatně zvýšit úroveň vystavení vibracím a hluku za celou pracovní dobu. Při odhadu úrovně vystavení vibracím a hluku je nutné vzít v úvahu také dobu, kdy je mlohač vypnut nebo běží naprázdno. Tyto podmínky mohou podstatně snížit úroveň vystavení vibracím a hluku za celou pracovní dobu.

K ochraně obsluhy před účinky vibrací a hluku určete další bezpečnostní opatření, například provádění údržby mlohače a příslušenství, udržování rukou v teple (v případě vibrací) a organizování pracovních cyklů.

HU

**⚠ FIGYELMEZTÉS**

A jelen használati kézikönyvben közölt rezgés- és zajkibocsátási értékek szabványosított vizsgálat segítségével mérték, amelynek segítségével az eszközök egymással összehasonlíthatók. Ezek alkalmazhatók a kitétség előzetes felmérésére is.

A megadott rezgés- és zajkibocsátási értékek az eszköz fő alkalmazásait jelölik. Azonban ha az eszköz nem megfelelően tartású, különböző alkalmazásokra vagy eltérő tartozékokkal használják, akkor a rezgés- és zajkibocsátás változhat. Ezek a beavatkozások jelentősen növelhetik a kitétségi szintet a teljes működési időtartam során. A rezgésnek és zajnak való kitétségi szint becslést értékeléskor is figyelembe kell venni, amikor az eszköz ki van kapcsolva, vagy amikor csak tétlenül jár. Ezek jelentősen csökkenthetik a kitétségi szintet a teljes működési időtartam során.

A kezelő rezgés- és zajártalom elleni védelméhez tegyen meg további biztonsági intézkedéseket, mint pl. az eszköz és alkatrészei karbantartása, a kéz melegen tartása (rezgés esetén) és a munkavégzési folyamat megszervezése.

RO

**⚠ AVERTISMENT**

Nivelul total al vibrațiilor și valorile emisiilor de zgomot declarate în acest manual cu instrucțiuni au fost măsurate în conformitate cu o metodă de testare standardizată și pot fi utile pentru compararea uneltelor între ele. Acestea pot fi utilizate pentru evaluarea preliminară a expunerii.

Valorile emisiilor de vibrație și de zgomot declarate sunt relevante pentru domeniul de utilizare al acesteia unelte. Totuși, dacă uneltea este utilizată în alte scopuri, cu alte accesorii sau este întreținută necorespunzător, nivelul vibrațiilor și al zgomotului poate fi diferit. În acest caz, nivelul de expunere total, pe parcursul întregii perioade de lucru, poate crește. O estimare a nivelului de expunere la vibrații și zgomot trebuie să țină cont și de numărul de porniri-opriri, precum și de perioada în care uneltea este oprită sau funcționează în gol. În acest caz, nivelul de expunere total, pe parcursul întregii perioade de lucru, poate fi mai mic.

Identificați măsuri de protecție suplimentare pentru protecția operatorului contra efectelor vibrațiilor și zgomotului, precum întreținerea uneltei și a accesoriilor, menținerea mâinilor calde (în caz de vibrație) și organizarea de perioade de lucru.

LV



## BRĪDINĀJUMS

Deklarētie kopējie vibrāciju līmeņi un deklarētie trokšņu izstarošanas līmeņi, kas norādīti šajā instrukcijā ir mēriti saskaņā ar standartizētajiem testiem, un var tikt izmantoti viena instrumenta salīdzināšanai ar citu. Tos var izmantot sākotnējai ietekmes novērtēšanai.

Deklarētajos vibrāciju un trokšņu veidošanās vērtības atspoguļo galvenajam instrumenta pielietojumam. Tomēr, ja instruments tiek izmantots citam pielietojumam, izmantots ar citiem aksesoriem, vai netiek pienācīgi kopts, vibrāciju un trokšņu līmeņis var atšķirties. Šie apstākļi var būtiski palielināt ietekmes līmeņi visā darba laikā. Vibrāciju un trokšņu iedarbības līmeņa noteikšanai jāņem vērā arī laika posmi, kad instruments ir izslēgts, vai arī darbojas tukšgājā. Šie apstākļi var būtiski samazināt ietekmes līmeņi visā darba laikā.

Nosakiet papildu drošības pasākumus, lai aizsargātu lietotāju no vibrācijas un trokšņu ietekmes, piemēram, veicot instrumenta un aprīkojuma apkopes, roku uzturēšana siltumā (vibrāciju gadījumā), vai organizējot darba grafiku.

LT



## ĮSPĖJIMAS

Šioje naudojimo instrukcijoje nurodytos keliamos vibracijos vertės nustatytos atsižvelgiant į standartinį bandymo metodą, todėl jas galima palyginti su kitų elektrinių įrankių keliamąja vibracija. Jos taip pat gali būti naudojamos preliminariam vibracijos poveikiui įvertinti.

Deklaruojamos vibracijos ir skleidžiama triukšmo vertės atspindi pagrindinius įrenginio taikymo būdus. Tačiau, jei šiuo įrenginiu atliekami kiti darbai, naudojant kitus priedus arba prastai prižiūrimus priedus, keliamos vibracijos ir triukšmo vertės gali skirtis. Šiomis sąlygomis gali žymiai padidėti vibracijos poveikio lygiai per visą darbo laiką. Vertinant vibracijos ir triukšmo poveikio lygį per tam tikrą darbo laikotarpį, reikia atsižvelgti ne tik į laiką, kai įrenginys veikia, bet ir į tą laiką, kai įrenginys yra išjungtas, ir į laiką, kai jis veikia tuščiajia eiga be apkrovos. Šiomis sąlygomis gali žymiai sumažėti vibracijos poveikio lygis per visą darbo laiką.

Nustatykite papildomas saugos priemones, skirtas operatoriui apsaugoti nuo vibracijos ir triukšmo poveikio, pvz., techniškai prižiūrėkite įrenginį ir priedus, laikykite rankas šiltai (vibracijos atveju) ir organizuokite darbo pamainas.

ET



## HOIATUS

Kāesleavas juhendis toodud vibratsioonitase ja deklaritud müramissiooni väärtused on mõõdetud standardmeetodi järgi ja see saab kasutada tööriistade omavaheliseks võrdlemiseks. Neid võib kasutada ka emissiooni alistselgseks hindamiseks.

Deklareitud vibratsiooni ja müramissiooni väärtused kehtivad tööriista peamistele rakendustele. Kui aga tööriista kasutatakse muudeks töödeks, rakendatakse teisi tavikuid või kui tööriista hooalus pole piisav, võib vibratsiooni ja müramissiooni tase kõrguda. Need tingimused võivad emissiooni tõepoolesti jooksul tunduvalt suurendada. Vibratsiooni ja müramissiooni täpseks hindamiseks tuleb avestada kogu ka aega, mil seade on väljas lülitatud või sisse lülitatud, kuid tegelikult tööde rakendamata. Need tingimused võivad emissiooni ootuperioodi jooksul tunduvalt vähendada.

Tehke kindlaks lähendavad ohutusmeetmed kasutaja kaitsmiseks vibratsiooni ja müra mõju eest: näiteks tööriista ja lisaseadmete hooldamine, käte soojas hoidmine (vibratsiooni korral) ja töökorraldus.

HR



## UPOZORENJE

Deklarirane ukupne vrijednosti vibracija i deklarirane emisije buke navedene u ovom priručniku s uputama izmjerenje su u skladu sa standardiziranim ispitnom metodom i mogu se koristiti za usporedbu jednog alata s drugim. Moguće ih je upotrijebiti za preliminarnu procjenu izlaganja.

Deklarirane vrijednosti razine emisije vibracija i buke predstavljaju glavne primjene alata. Međutim, ako se alat koristi za druge primjene, koristi s različitim dodacima ili ako se loše održava, emisija vibracija i buke se može razlikovati od navedene vrijednosti. Ti uvjeti mogu uzrokovati značajno povećanje razine izloženosti u ukupnom vremenu rada alatom. Procjena razine izloženosti vibracijama i buci također bi trebala uzeti u obzir i vrijeme u kojem je alat isključen ili radi u praznom hodu. Ti uvjeti mogu uzrokovati značajno smanjenje razine izloženosti u ukupnom vremenu rada alatom.

Utvrdite dodatne sigurnosne mjere za zaštitu rukovatelja od djelovanja vibracija i buke, kao što su održavanje alata i pribora, održavanje topline ruku (u slučaju vibracija) i organiziranje radnog vremena.

SL



## OPOZORILO

Skupni vrednosti emisij vibracij i emisij hrupa, navedeni v tem priručniku, sta bili izmerjeni v skladu z metodo standardiziranega preskusa in se lahko uporabljata za medsebojno primerjavo orodja. Uporabljajo se lahko za predhodno oceno stopnje izpostavljenosti.

Navedeni vrednosti emisij vibracij i hrupa veljavata za glavne namene uporabe orodja. Vendar, če se orodje uporablja v druge namene, z drugačnimi dodatki ali je slabo vzdrževano, sta lahko ravni emisij vibracij i hrupa drugačni. V teh pogojih se lahko stopnja izpostavljenosti v celotnem delovnem obdobju občutno zviša. V oceni stopnje izpostavljenosti vibracijam i hrupa je treba upoštevati tudi obdobja, v katerih je orodje ugasnjeno oziroma teče, vendar ni v dejanski uporabi. V teh pogojih se lahko stopnja izpostavljenosti v celotnem delovnem obdobju občutno zniža.

Ugotovite dodatne varnostne ukrepe za zaščito uporabnika pred učinki vibracij i hrupa, kot je vzdrževanje orodja in dodatkov, ohranjanje toplih rok (v primeru vibracij) i organizacija delovnih vzorcev.

SK



## VAROVANIE

Deklarované celkové hodnoty vibrací a deklarované hodnoty emisii hluku uvedené v tomto návodu na obsluhu boli merané v súlade so štandardizovanou skúškou a môžu sa použiť na porovnanie jedného náradia s druhým. Môžu sa použiť na predbežné posúdenie expozície.

Deklarované hodnoty vibráci a emisii hluku sú pre hlavné použitia náradia. No ak sa náradie používa na iné aplikácie, v spojení s iným príslušenstvom alebo je jeho údržba nepostačujúca, emisie vibráci a hluku sa môžu líšiť. Tieto podmienky značne zvýšia úroveň expozície počas celkovej pracovnej doby. Odhad úrovne expozície účinkom vibráci a hluku má tieto faktične zohľadniť čas vypnutia náradia alebo ak beží na voľnobeh. Tieto podmienky môžu značne znížiť úroveň expozície počas celkovej pracovnej doby.

Identifikujte ďalšie bezpečnostné opatrenia na ochranu obsluhy pred účinkami vibráci a hluku, ako je napríklad udržiavanie náradia a príslušenstva, udržiavanie teplých rúk (v prípade vibrácií) a organizácia pracovných postupov.

BG



## ВНИМАНИЕ

Декларираните общи стойности на излъчените вибрации и на шумовите емисии, посочени в настоящото ръководство, са измерени в съответствие със стандартизиран тестов метод и може да се използват за сравнение на един инструмент с друг. Те може да се използват за предварително оценяване на въздействието.

Декларираните стойности на излъчените вибрации и на шумовите емисии представляват основните приложения на инструмента. Въпреки това, ако инструментът се използва за различни приложения, с различни принадлежности или поддръжката му е некачествена, излъчените вибрации и шумовите емисии могат да се различават. Тези условия може значително да увеличат нивото на излагане през целия срок на работа. При оценяване на нивото на излагане на вибрации и шум също трябва да се вземе предвид колко пъти инструментът е бил изключван или колко пъти е работил на празен ход. Тези условия може значително да намалат нивото на излагане през целия срок на работа.

Определете допълнителни мерки за предпазване на оператора от ефектите от вибрациите и шума, като например поддръжане на инструмента и аксесоарите, поддръжане на ръцете топли (в случай на вибрации), организация на моделите за работа.

UK



## ПОПЕРЕДЖЕННЯ

Значения вибрації та шуму, наведені в цьому керівництві, вимірювалися відповідно до стандартизованого методу вивчення та можуть бути використані для порівняння одного інструменту з іншим. Ними можна користуватися для попередньої оцінки впливу.

Наведені значення виміряно при стандартній експлуатації виробу. Утім якщо виріб використовується для інших цілей, з іншими додатковими пристосуваннями або ж не проходить належного обслуговування, рівні вибрації та шуму можуть відрізнятись від зазначених. Як наслідок, рівні впливу впродовж загального робочого часу можуть значно збільшитися. При оцінці рівнів впливу вібрації та шуму слід враховувати періоди, коли виріб вимкнений або працює на холостих обертах. Як наслідок, рівні впливу впродовж загального робочого часу можуть значно зменшитися.

Дотримуйтеся додаткових заходів, які можуть захистити оператора від впливу вібрації та шуму: підтримуйте пристрій та додаткові пристосування у належному стані, слідкуйте, щоби руки залишалися теплими (при вібрації), та продумайте графік роботи.

TR



## UYARI

Bu kullanımla kilavuzunda verilen toplam titreşim değerleri ve gürültü emisyonu değerleri standartlaştırılmış bir teste göre ölçülmüştür ve bir aleti diğerleriyle karşılaştırmak için kullanılabılır. Maruz kalmanın onceden değerlendirilmesini için kullanılabılır.

Beyan edilen titreşim ve gürültü emisyonu değerleri aletin ana uygulaması için temsil eder. Ancak, alet farklı uygulamalar için kullanılıyorsa, farklı aksesuarlarla kullanılıyorsa ve bakımı yapılmıyorsa, titreşim ve gürültü emisyonu değışiklik gösterebilir. Bu koşullar toplam çalışma süresi genelinde maruz kalma düzeylerini önemli oranda artırabilir. Titreşime ve gürültüye maruz kalma seviyesinin tahmininde aletin kapatıldığı veya boşta çalıştığı süreler dikkate alınmalıdır. Bu koşullar toplam çalışma süresi boyunca maruz kalma seviyesini önemli oranda azaltabilir.

Kullanılan kişiyi titreşim ve gürültünün etkilerinden korumak için aletin ve aksesuarların bakımını yapmak, (titreşim halinde) elleri sıcak tutmak ve çalışma modelleri organize etmek gibi ilave güvenlik önlemlerini tanımlayın.



## EN RYOBI WARRANTY APPLICATION CONDITIONS

In addition to any statutory rights resulting from the purchase, this product is covered by a warranty as stated below.

1. The warranty period is 24 months for consumers and commences on the date when the product was purchased. This date has to be documented by an invoice or other proof of purchase. The product is designed and dedicated to consumer and private use only. So there is no warranty provided in case of professional or commercial use. This warranty applies only on new products.
2. There is a possibility to extend for a part of the range of power tools (AC/DC) the warranty period over the period described above using the registration on the [www.ryobitools.eu](http://www.ryobitools.eu) website. The eligibility of products for extended warranty is clearly displayed in stores and / or on packaging and is contained within the product documentation. The end user is required to register his/her newly-acquired products online within 30 days from the date of purchase. The end user may register for the extended warranty in his/her country of residence if listed on the online registration form where this option is valid. Furthermore, end users must give their consent to the storage of their personal data that is required to be entered online. They must also accept the terms and conditions. The registration confirmation receipt, which is sent out by e-mail, and the original invoice showing the date of purchase will serve as proof of the extended warranty.
3. The warranty covers all defects of the product during the warranty period due to faults in workmanship or material at the purchase date. The warranty is limited to repair and/or replacement and does not include any other obligations including but not limited to incidental or consequential damages. The warranty is not valid if the product has been misused, used contrary to the instruction manual, or has been incorrectly connected to a power supply. This warranty does not apply to:
  - any damage to the product that is the result of improper or lack of maintenance
  - any product that has been altered or modified
  - any product where original identification (trade mark, serial number) markings have been defaced, altered or removed
  - any damage caused by non-observance of the instruction manual
  - any product not displaying the CE approval mark on the rating plate
  - any product that has been attempted to be repaired by a non-authorized warranty service centre or without prior authorisation by Techtronic Industries
  - any product connected to improper power supply (amps, voltage, frequency)
  - any product used with inappropriate fuel mixture (fuel, oil, ratio of oil/ fuel mixture)
  - any damage caused by external influences (water, chemical, physical, shocks) or foreign substances
  - normal wear and tear spare parts
  - inappropriate use, overloading of the tool
  - use of non-approved accessories or parts
  - Accessories provided with the tool or purchased separately including but not limited to blades, saw chains, cutting lines, etc.
  - Any periodic adjustments to or maintenance cleaning of carburetors
  - Components (parts and accessories) subject to natural wear and tear, including but not limited to bump knobs, drive belts, clutch, blades of hedge trimmers or lawn mowers, harness, cable throttle, carbon brushes, power cord, tines, felt washers, hitch pins, blower fans, blower and vacuum tubes, vacuum bag and straps, guide bars, saw chains, hoses, connector fittings, spray nozzles, wheels, spray wands, inner reels, outer spools, cutting lines, spark plugs, air filters, gas filters, mulching blades, etc.
4. For servicing, the product must be sent or presented to a RYOBI authorised service station listed for each country in the following list of service station addresses. In some countries your local RYOBI dealer undertakes to send the product to the RYOBI service organisation. When sending a product to a RYOBI service station, the product should be safely packed without any dangerous contents such as petrol, marked with sender's address and accompanied by a short description of the fault.
5. A repair / replacement under this warranty is free of charge. It does not constitute an extension or a new start of the warranty period. Exchanged parts or products become our property. In some countries delivery charges or postage will have to be paid by the sender. Your statutory rights arising from the purchase of the product remain unaffected.
6. This warranty is valid in the European Community, Switzerland, Iceland, Norway, Liechtenstein, Turkey, Russia, and the United Kingdom. Outside these areas, please contact your authorised RYOBI dealer to determine if another warranty applies.

### AUTHORISED SERVICE CENTRE

Any request or issue with the product can be addressed to your local authorised service centres (visit [www.ryobitools.eu](http://www.ryobitools.eu)) or directly to: Techtronic Industries GmbH, Max Eyth Straße 10, 71364 Winnenden, Germany. Please state the serial number and product type printed on the label.

## FR RYOBI CONDITIONS D'APPLICATION DE LA GARANTIE

En plus des droits statutaires liés à l'achat, ce produit est couvert par une garantie telle que décrite ci-dessous.

1. La durée de la garantie accordée au consommateur est de 24 mois à partir de la date d'achat. Cette date doit être authentifiée par une facture ou tout autre preuve d'achat. Le produit a été conçu en vue d'une utilisation strictement privée. Aucune garantie ne s'applique donc en cas d'utilisation professionnelle ou commerciale.
2. Il existe pour une partie de la gamme « jardin » (AC/DC), une possibilité d'étendre la période de garantie au-delà de la période précédemment décrite en utilisant le formulaire d'enregistrement présent sur le site internet [www.ryobitools.eu](http://www.ryobitools.eu). L'éligibilité d'un outil est clairement affichée dans les points de vente et/ou sur l'emballage et la documentation. L'utilisateur final doit enregistrer son/ses outil(s) nouvellement acheté(s) en ligne dans les 30 jours qui suivent la date d'achat. L'utilisateur a la possibilité de s'enregistrer pour l'extension de garantie dans son pays de résidence si celui-ci est listé dans le formulaire d'enregistrement en ligne où cette option est valide. L'utilisateur final doit donner son consentement pour l'enregistrement des données requises pour accéder au site et doit accepter les termes et conditions. La confirmation d'enregistrement, envoyée par courrier électronique, ainsi que la facture originale mentionnant la date d'achat serviront de preuve de l'extension de garantie.
3. La garantie couvre pendant la période de garantie les défauts des produits liés à la fabrication et aux matériaux à la date d'achat. La garantie est limitée à la réparation et/ou au remplacement et n'inclut aucune autre obligation, tel que, mais sans s'y limiter, les dommages accessoires ou indirects. La garantie est non valable en cas de mauvaise utilisation du produit, d'utilisation contraire aux instructions du mode d'emploi, ou en cas de branchement incorrect. Cette garantie ne s'applique pas pour :
  - tout dommage au produit résultant d'un mauvais entretien
  - tout produit ayant été altéré ou modifié
  - tout produit dont les marquages originaux d'identification (marque, numéro de série) ont été dégradés, altérés ou retirés
  - tout dommage causé par le non-respect des instructions du mode d'emploi
  - tout produit non CE
  - tout produit ayant subi une tentative de réparation par du personnel non qualifié ou sans autorisation préalable de Techtronic Industries
  - tout produit raccorder à une alimentation secteur non conforme (ampérage, voltage, fréquence)
  - tout produit utilisé avec un mélange inapproprié (essence, huile, pourcentage d'huile)
  - tout dommage causé par des influences extérieures (chimiques, physiques, chocs) ou par des substances étrangères
  - l'usure normale des pièces consommables
  - une utilisation inappropriée, une surcharge de l'outil
  - l'utilisation de pièces ou accessoires non agréés
  - Tout réglage périodique ou tout nettoyage de maintenance des carburateurs
  - les composants (pièces et accessoires) sujets à une usure naturelle, incluant de façon non exhaustive les têtes de fil à frapper, les courroies de transmission, les embrayages, les lames des taille-haies ou des tondeuses à gazon, les harnais, les câbles d'accélérateur, les charbons, les cordons d'alimentation, les fraises de cultivateurs, les rondelles feutre, les gouilles de fraise, les turbines et lame de broyage des souffleurs, les tubes de soufflage et d'aspiration des souffleurs, les sacs de souffleurs et leurs lanières, les guides-chaîne, les chaînes de tronçonneuses, les tuyaux et raccords, les buses et lances de nettoyeurs haute pression, les roues, les recharges de fil des têtes de coupe, les têtes de coupe, le fil de coupe, les bougies d'allumage, les filtres à air, les filtres à essence, etc.
4. Si le produit doit être réparé, envoyez-le à un service après-vente agréé RYOBI dont vous trouverez ci-dessous la liste pour chaque pays. Dans certains pays, votre revendeur RYOBI se chargera d'envoyer le produit à un centre de réparation RYOBI. Lorsque vous envoyez un produit à un service après-vente RYOBI, celui-ci doit être correctement emballé, sans contenir aucun produit dangereux tel que de l'essence, et vous devez indiquer votre adresse ainsi qu'une courte description du problème.
5. Une réparation / un remplacement sous garantie est gratuit(e). Ceci ne constituera pas une extension de garantie ni un nouveau départ de la période de garantie. Les pièces ou les outils remplacés deviennent notre propriété. Dans certains pays, les frais de port devront être assumés par l'expéditeur. Vos droits statutaires restent inchangés.
6. Cette garantie est valable dans la Communauté européenne, la Suisse, l'Islande, la Norvège, le Liechtenstein, la Turquie, la Russie et le Royaume-Uni. En dehors de ces zones, veuillez contacter votre distributeur agréé RYOBI pour déterminer si une autre garantie s'applique.

### SERVICE APRÈS-VENTE AGRÉÉ

Toute demande ou tout problème concernant le produit peut être transmis à votre centre de réparation agréé local (consultez [www.ryobitools.eu](http://www.ryobitools.eu)) ou directement à : Techtronic Industries GmbH, Max Eyth Straße 10, 71364 Winnenden, Germany. Veuillez mentionner le numéro de série et le type de produit imprimés sur l'étiquette.



## DE RYOBI GARANTIEBEDINGUNGEN

Zusätzlich zu den gesetzlichen Rechten aus dem Kauf gilt für dieses Produkt die nachstehend aufgeführte Garantie.

- Der Garantiezeitraum beträgt für Verbraucher 24 Monate und beginnt mit dem Datum des Kaufs. Dieses Datum muss eine Rechnung oder einen anderen Kaufbeleg dokumentiert werden. Dieses Produkt wurde ausschließlich zur privaten Nutzung durch Verbraucher entwickelt. Für den Fall einer professionellen bzw. kommerziellen Nutzung besteht daher keine Garantie.
- Es besteht die Möglichkeit, für einen Teil des Sortiments der Gartenwerkzeuge (AC/DC) den Garantiezeitraum über den oben genannten Zeitraum hinaus zu verlängern, indem der Verbraucher die Registrierung auf der Website [www.ryobitools.eu](http://www.ryobitools.eu) durchführt. Die Berechtigung der Werkzeuge für die Garantieverlängerung ist deutlich im Geschäft und/oder auf der Verpackung beschrieben und in der Produktdokumentation erwähnt. Der Verbraucher muss das neu erworbene Gerät online innerhalb von 30 Tagen ab dem Kaufdatum registrieren. Der Verbraucher kann das Gerät zwecks Garantieverlängerung in seinem Wohnsitzland/Heimatland registrieren, wenn dieses Land auf dem Online-Registrierungsformular aufgeführt ist und die Option gültig ist. Darüber hinaus muss der Verbraucher seine Zustimmung zur Speicherung der Daten geben, die online eingegeben werden müssen, und er muss die allgemeinen Geschäftsbedingungen akzeptieren. Die Bestätigung der Registrierung, die per E-Mail versandt wird, und die Originalrechnung mit dem Kaufdatum gelten als Beleg für die Garantieverlängerung.
- Die Garantie deckt alle Defekte des Geräts während des Garantiezeitraums ab, die auf zum Zeitpunkt des Kaufs bestehende Verarbeitungs- oder Materialfehler zurückzuführen sind. Die Garantie beschränkt sich auf Reparatur und/oder Ersatz und beinhaltet keine anderen Verpflichtungen, insbesondere keinen Schadenersatz für Folge- oder Nebenschäden. Die Garantie gilt nicht, wenn das Gerät fehlerhaft eingesetzt wurde, gegensätzlich zur Bedienungsanleitung eingesetzt wurde oder falsch angeschlossen wurde. Die Garantie gilt nicht für Folgendes:
  - Schäden am Gerät, die auf unkorrekte Wartung zurückzuführen sind
  - Geräte, an denen Veränderungen vorgenommen wurden
  - Produkte, bei denen die ursprüngliche Identifizierung (Handelsmarke, Seriennummer) unleserlich gemacht, verändert oder entfernt wurde
  - Schäden durch Nichtbeachtung der Bedienungsanleitung
  - nicht-CE-zertifizierte Geräte
  - Geräte, an denen durch nicht-qualifizierte Personen oder ohne vorherige Genehmigung von Techtronic Industries Reparaturversuche vorgenommen wurden
  - Geräte, die an unkorrekte Energiequellen (Ampere, Volt, Frequenz) angeschlossen wurden
  - Geräte, die mit einer fehlerhaften Treibstoffmischung (Treibstoff, Öl, Ölanteil) betrieben wurden
  - Schäden durch äußere Einflüsse (chemisch, physisch, Stöße) oder Fremdstoffe
  - normaler Verschleiß von Ersatzteilen
  - unangemessene Nutzung, Überlastung des Geräts
  - Nutzung nicht genehmigter Zubehörteile oder Ersatzteile
  - Regelmäßige Einstellung oder Wartungsreinigung des Vergasers
  - Komponenten (Ersatzteile und Zubehörteile), die natürlichem Verschleiß unterliegen, einschließlich, aber nicht beschränkt auf Service- und Wartungssets, Kohlebürsten, Lager, Spannvorrichtungen, SDS-Bohreraufnahme /Bit-Adapter, Netzplatt, Zusatzhandgriff, Transportkoffer, Schleifplatten, Staubbeutel, Staubabführungen, Filzunterlegscheiben, Bolzen und Federn von Schlagschraubern, einschließlich, aber nicht beschränkt auf Fadenköpfe, Antriebsriemen, Kupplungen, die Klängen von Heckenscheren oder Rasenmähern, Kabelstränge, Gaszüge, Zinken, Steckbolzen, Lüfter, Saug- und Gebläserohre oder Düsen, Fangsäcke und Gurte, Führungsschienen, Sägeketten, Schläuche, Verbinder, Sprühdüsen, Räder, Sprühstäbe, innere Rollen, äußere Spulen, Schneidfäden, Zündkerzen, Luftfilter, Benzin-/ Ölfilter, Häcksel- Messer usw.
- Zum Service muss das Gerät zu einer von RYOBI autorisierten Servicestation gebracht oder dorthin gesendet werden. Die Servicestationen für die einzelnen Länder sind in der folgenden Liste aufgeführt. In einigen Ländern sendet Ihr RYOBI-Händler vor Ort das Gerät an das RYOBI-Serviceunternehmen. Beim Einsenden an die RYOBI-Servicestation sollte das Gerät sicher verpackt sein, ohne gefährliche Inhalte wie Benzin, und es sollte mit der Adresse des Absenders und einer kurzen Beschreibung des Fehlers versehen sein.
- Eine Reparatur bzw. ein Ersatz gemäß dieser Garantie ist kostenlos. Hieraus ergibt sich weder eine Garantieverlängerung noch der Beginn eines neuen Garantiezeitraums. Die ausgetauschten Ersatzteile oder Werkzeuge gehen in unser Eigentum über. In einigen Ländern müssen die Zustelgebühren oder die Versandkosten vom Absender gezahlt werden. Ihre gesetzlichen Rechte aus dem Kauf des Geräts bleiben hiervon unberührt.
- Diese Garantie ist gültig in der Europäischen Gemeinschaft, der Schweiz, Island, Norwegen, Liechtenstein, der Türkei, Russland und dem Vereinigten Königreich. Bitte wenden Sie sich außerhalb dieser Gebiete an Ihren autorisierten RYOBI-Händler, um festzustellen, ob eine andere Garantie gilt.

### AUTORISIERTER KUNDENDIENST

Bitte wenden Sie sich bei Fragen zum oder Problemen mit dem Gerät an das örtliche autorisierte Servicecenter (siehe [www.ryobitools.eu](http://www.ryobitools.eu)) oder direkt an: Techtronic Industries GmbH, Max Eyth Straße 10, 71364 Winnenden, Germany. Bitte geben Sie die Seriennummer und den auf dem Typenschild aufgedruckten Gerätetyp an.

## ES CONDICIONES DE APLICACIÓN DE LA GARANTÍA DE RYOBI

Además de cualquier derecho legal derivado de la compra, este producto está cubierto por una garantía que se indica a continuación.

- El periodo de garantía es de 24 meses para consumidores y comienza en la fecha en que se compra el producto. Dicha fecha debe documentarse con una factura u otro comprobante de compra. El producto está diseñado y concebido únicamente para el uso privado del consumidor. Por lo tanto, no se ofrece garantía en caso de uso profesional o comercial.
- Existe la posibilidad de ampliar el periodo de garantía respecto a una parte de la gama de herramientas de jardinería (CA/CC) durante el periodo descrito más arriba y mediante el registro en el sitio web [www.ryobitools.eu](http://www.ryobitools.eu). La elegibilidad de las herramientas para que se amplíe el periodo de garantía se muestra claramente en las tiendas o en el embalaje y está incluida en la documentación del producto. El usuario final tiene que registrar en línea sus herramientas recientemente adquiridas en un plazo de 30 días a partir de la fecha de compra. El usuario final podrá registrarse para obtener la garantía ampliada en su país de residencia si este aparece en la lista del formulario de registro en línea cuando esta opción sea válida. Además, los usuarios finales deberán dar su consentimiento al almacenamiento de los datos necesarios para el acceso en línea y tienen que aceptar los términos y condiciones. El recibo de confirmación de registro, que se envía por correo electrónico, y la factura original que muestra la fecha de compra servirán como comprobante para la garantía ampliada.
- La garantía cubre todos los defectos del producto durante el periodo de garantía debido a fallos de mano de obra o material en la fecha de compra. La garantía se limita a la reparación o sustitución y no incluye ninguna otra obligación como, por ejemplo, daños accidentales o consecuentes. La garantía no es válida si se ha usado mal el producto, se ha usado contraviniendo el manual de instrucciones o se ha conectado de forma incorrecta. Esta garantía no es aplicable a:
  - ningún daño en el producto que sea consecuencia de un mantenimiento inadecuado
  - ningún producto que haya sido alterado o modificado
  - ningún producto en el que los marcados de identificación originales (marca comercial, número de serie) se hayan borrado, modificado o eliminado
  - ningún daño provocado por no seguir el manual de instrucciones
  - ningún producto que no sea CE
  - ningún producto que haya sufrido un intento de reparación por parte de un profesional no cualificado o sin la autorización previa de Techtronic Industries.
  - ningún producto conectado a un suministro eléctrico inadecuado (ampierios, voltaje, frecuencia)
  - ningún producto usado con una mezcla de combustible inadecuada (combustible, aceite, porcentaje de aceite)
  - ningún daño causado por influencias externas (químicas, físicas, impactos) o sustancias extrañas
  - desgaste normal de piezas de repuesto
  - uso inadecuado, sobrecarga de la herramienta
  - uso de accesorios o piezas no aprobados
  - Cualquier ajuste periódico o limpieza de mantenimiento de los carburadores
  - Componentes (piezas y accesorios) sujetos al desgaste natural incluyendo, entre otros, pomos de golpes, correas de transmisión, embragues, cuchillas de cortasetos o cortacésped, arneses, cable del acelerador, escobillas de carbono, cables eléctricos, pías, discos de filtro, pasadores de enganche, ventiladores de soplador, tubos de aspiración y de soplado, bolsos y correas de aspiración, barras guías, cadenas de sierra, mangueras, herrajes de conectores, boquillas pulverizadoras, ruedas, lanzas pulverizadoras, bobinas interiores, carretes exteriores, líneas de corte, bujías, filtros de aire, filtros de gas, cuchillas de compostaje, etc.
- Para su mantenimiento, el producto debe enviarse o presentarse a una estación de servicio de RYOBI autorizada que figure en la siguiente lista de direcciones de estaciones de servicio por países. En algunos países, su distribuidor RYOBI local se responsabiliza de enviar el producto a la compañía de servicio de RYOBI. Cuando se envíe un producto a una estación de servicio de RYOBI, este debe estar empaquetado de forma segura sin contenidos peligrosos como gasolina, marcado con la dirección del remitente y acompañado de una breve descripción del fallo.
- Una reparación / sustitución con esta garantía es gratuita. No constituye una ampliación ni un nuevo comienzo del periodo de garantía. Las piezas o herramientas intercambiadas pasan a ser de nuestra propiedad. En algunos países, los gastos de envío o correo tendrán que pagarlos el remitente. Sus derechos legales derivados de esta compra de la herramienta no se verán afectados.
- Esta garantía es válida en la Comunidad Europea, Suiza, Islandia, Noruega, Liechtenstein, Turquía, Rusia y el Reino Unido. Fuera de estas zonas, póngase en contacto con su distribuidor de RYOBI autorizado para determinar si es aplicable otra garantía.

### SERVICIO TÉCNICO AUTORIZADO

Cualquier solicitud o problema relacionado con el producto se puede remitir a su centro de servicio autorizado local (visite [www.ryobitools.eu](http://www.ryobitools.eu)) o directamente a: Techtronic Industries GmbH, Max Eyth Straße 10, 71364 Winnenden, Germany. Indique el número de serie y el tipo de producto que aparecen impresos en la etiqueta.



## IT CONDIZIONI DI VALIDITÀ DELLA GARANZIA RYOBI

In aggiunta ai diritti di legge risultanti dall'acquisto, il prodotto è coperto dalla garanzia sotto descritta.

1. Il periodo di garanzia è di 24 mesi per i consumatori, a decorrere dalla data di acquisto del prodotto. La data deve essere documentata da una fattura o altra prova d'acquisto. Il prodotto è progettato e destinato solo all'utilizzo privato dei consumatori. Pertanto non viene fornita alcuna garanzia in caso di uso professionale o commerciale.
2. Per una serie di utensili da giardino (CA/CC) è possibile prolungare il periodo di garanzia oltre quello descritto, registrandosi sul sito web [www.ryobitools.eu](http://www.ryobitools.eu). Gli utensili per i quali è possibile prolungare il periodo di garanzia sono chiaramente indicati nei negozi e/o sulle confezioni e nella documentazione dei prodotti. L'utente deve registrare online l'utensile acquistato entro 30 giorni dalla data di acquisto. L'utente può registrarsi per la garanzia prolungata nel proprio paese di residenza, se questo è elencato nel modulo di registrazione online dove questa opzione sia valida. Inoltre gli utenti devono fornire il proprio consenso alla conservazione dei dati da immettere online e devono accettare le condizioni generali. La conferma di registrazione, inviata tramite e-mail, e la fattura originale indicante la data di acquisto, costituiranno la prova della garanzia prolungata.
3. La garanzia copre tutti i difetti del prodotto durante il periodo di garanzia, risultanti da manodopera o materiali alla data di acquisto. La garanzia è limitata alla riparazione e/o sostituzione e non include alcun altro obbligo quali, a mero titolo esemplificativo, i danni incidentali o consequenziali. La garanzia non è valida se il prodotto è stato usato scorrettamente, in modo contrario al manuale di istruzioni o se è stato collegato in modo errato. La garanzia non è valida per:
  - qualsiasi danno al prodotto dovuto a manutenzione errata;
  - qualsiasi prodotto che sia stato alterato o modificato;
  - qualsiasi prodotto le cui marcature di identificazione originali (marchi di fabbrica, numero di serie) siano state cancellate, alterate o rimosse;
  - qualsiasi danno causato dalla non osservanza delle istruzioni del manuale;
  - qualsiasi prodotto privo di omologazione CE;
  - qualsiasi prodotto che sia stato sottoposto a un tentativo di riparazione da parte di un professionista non qualificato oppure senza la previa autorizzazione di Techtronic Industries;
  - qualsiasi prodotto collegato a un'alimentazione errata (per ampere, tensione, frequenza);
  - qualsiasi prodotto usato con una miscela di carburante errata (carburante, olio, percentuale di olio);
  - qualsiasi danno causato da influenze esterne (chimiche, fisiche, urti) o sostanze estranee;
  - la normale usura delle parti di ricambio;
  - uso inappropriato, sovraccarico dell'utensile;
  - uso di accessori o parti non omologate;
  - qualsiasi regolazione periodica o pulizia di manutenzione dei carburatori;
  - componenti (parti e accessori) soggetti alla normale usura compresi, a mero titolo esemplificativo, testine a filo, cinghie di trasmissione, frizioni, lame di tagliasiepi o tagliaerba, imbragature, cavi di accelerazione, spazzole al carbonio, cavi di alimentazione, denti, rondelle di feltro, perni di aggancio, ventole dei soffiatori, tubi di soffiatori e aspiratori, sacchetti e cinghie per aspirapolvere, barre guida, catene per seghe, tubi, raccordi di connessione, ugelli di spruzzo, ruote, erogatori, bobine interne ed esterne, linee di taglio, candele, filtri dell'aria, filtri del gas, lame per mulching ecc.
4. Per la manutenzione il prodotto dev'essere spedito o portato presso uno dei centri assistenza autorizzati RYOBI elencati per ogni paese nel seguente elenco di indirizzi dei centri. In alcuni paesi il rivenditore locale RYOBI si incarica di inviare il prodotto all'organizzazione di assistenza RYOBI. Quando si invia un prodotto a un centro assistenza RYOBI, imballarlo in modo sicuro senza contenuti pericolosi come la benzina, apporre l'indirizzo del mittente e accompagnarlo da una breve descrizione del guasto.
5. La riparazione/sostituzione ai sensi della presente garanzia è gratuita. Non costituisce un prolungamento o un nuovo inizio del periodo di garanzia. Le parti o gli utensili scambiati diventano di nostra proprietà. In alcuni paesi i costi di consegna o di spedizione postale devono essere pagati dal mittente. I diritti di legge derivanti dall'acquisto dell'utensile rimangono inalterati.
6. La presente garanzia è valida in Comunità Europea, Svizzera, Islanda, Norvegia, Liechtenstein, Turchia, Russia e Regno Unito. Al di fuori di tali aree contattare il rivenditore autorizzato RYOBI per sapere se è valida un'altra garanzia.

### CENTRO SERVIZI AUTORIZZATO

Qualsiasi richiesta o problema con il prodotto può essere indirizzato ai centri di assistenza autorizzati locali (visitare [www.ryobitools.eu](http://www.ryobitools.eu)) o direttamente a: Techtronic Industries GmbH, Max Eyth Straße 10, 71364 Winnenden, Germany. Si prega di indicare il numero di serie e il tipo di prodotto stampati sull'etichetta.

## NL RYOBI GARANTIEVOORWAARDEN

Naast de wettelijke rechten die voortvloeien uit de aankoop, wordt dit product gedekt door een garantie, zoals hieronder staat vermeld.

1. De garantietermijn voor consumenten bedraagt 24 maanden en gaat in op de datum waarop het product is gekocht. Deze datum moet worden gedocumenteerd met een factuur of ander aankoopbewijs. Het product is uitsluitend ontworpen en bedoeld voor persoonlijk gebruik door consumenten. Er wordt dus geen garantie gegeven voor professioneel of commercieel gebruik.
2. Voor een deel van ons aanbod van tuingereedschappen (AC/DC) is het mogelijk om de garantietermijn te verlengen over de boven beschreven termijn, met behulp van de website [www.ryobitools.eu](http://www.ryobitools.eu). De gereedschappen die in aanmerking komen voor de verlenging van de garantietermijn wordt duidelijk weergegeven in winkels en/of verpakkingen en staat beschreven in de productdocumentatie. De eindgebruiker moet zijn/har nieuw gekochte gereedschappen binnen 30 dagen na aankoop online registreren. De eindgebruiker kan zich registreren voor de verlengde garantietermijn als zijn woonland staat vermeld op het online registratieformulier waar deze optie geldig is. Bovendien moeten eindgebruikers toestemming geven voor de opslag van de gegevens die online ingevuld moeten worden en moeten ze de algemene voorwaarden accepteren. Het ontvangstbewijs van de registratie, dat per e-mail wordt verzonden en de oorspronkelijke factuur met de aankoopdatum vormt het bewijs van de verlengde garantietermijn.
3. De garantie geldt tijdens de garantietermijn alle gebreken van het product vanwege defecten in vakmanschap of materiaal op de aankoopdatum. De garantie is beperkt tot reparatie en/of vervanging en bevat geen andere verplichtingen, waaronder maar niet beperkt tot incidentele of gevolgschade. De garantie is niet geldig als het product is misbruikt, in strijd met de gebruiksaanwijzing wordt gebruikt of onjuist is aangesloten. Deze garantie geldt niet voor:
  - alle schade aan het product die het gevolg is van onjuist onderhoud
  - elk product dat is veranderd of aangepast
  - elk product waar de oorspronkelijke identificatie (handelsmerk, serienummer) is beschadigd, gewijzigd of verwijderd
  - alle schade die is veroorzaakt door het niet opvolgen van de gebruiksaanwijzing
  - elk niet-CE-product
  - elk product waar een poging tot reparatie is gedaan door een niet-erkende professional of zonder voorafgaande toestemming door Techtronic Industries.
  - elk product dat is verbonden met een verkeerde inductie (amperage, spanning, frequentie)
  - elk product dat wordt gebruikt met een verkeerd brandstofmengsel (brandstof, olie, oliegehalte)
  - alle schade die is veroorzaakt door externe invloeden (chemisch, fysisch, schokken) of vreemde stoffen
  - normale slijtage van reserveonderdelen
  - ongepast gebruik, overbelasting van het gereedschap
  - gebruik van niet-goedgekeurde accessoires of onderdelen
  - Alle periodieke aanpassingen aan of het onderhoud en reiniging van carburateurs
  - Componenten (onderdelen en accessoires) die onderhevig zijn aan natuurlijke slijtage, waaronder maar niet beperkt tot stookknoppen, aandrijfriemen, koppelingen, messen van hegtrimmers of grasmaaiers, hamas, gaskabel, koolstofborstels, stroomsnoeren, tanden, viltringen, koppelingsspannen, blazers, blaas- en zuigbuizen, zuigzakken en -riemen, geleidingsstaven, zaagkettingen, slangen, koppelingen, mondstukken, wielen, spuitstokken, binnenhaspels, buitenhaspels, snijdraden, boegjes, luchtfilters, gasfilters, maaimessen, etc.
4. Voor onderhoud moet het product worden verzonden of gebracht naar een erkend servicestation van RYOBI die voor elk land staat vermeld in de volgende lijst met adressen voor servicestations. In sommige landen zal uw lokale RYOBI-dealer het product verzenden naar de RYOBI-serviceorganisatie. Wanneer u het product naar een servicestation van RYOBI verzendt, moet het product veilig worden verpakt zonder enige gevaarlijke inhoud, zoals benzine, met het adres van de afzender en vergezeld van een korte beschrijving van het defect.
5. Een reparatie/vervanging die onder deze garantie valt is gratis. Het vormt geen verlenging of een nieuwe start van de garantietermijn. Vervisselde onderdelen of gereedschappen worden ons eigendom. In sommige landen moeten de verzendkosten door de afzender worden betaald. Uw wettelijke rechten die voortvloeien uit de aankoop van het gereedschap blijven onaangetaast.
6. Deze garantie is geldig binnen de Europese Gemeenschap, Zwitserland, IJsland, Noorwegen, Liechtenstein, Turkije, Rusland en het Verenigd Koninkrijk. Buiten deze gebieden moet u contact opnemen met uw erkende RYOBI-dealer om vast te stellen of er een andere garantie van toepassing is.

### GEAUTORISEERD ONDERHOUDSCENTRUM

Elk verzoek of probleem met het product kan worden gericht aan uw lokale geautoriseerde servicecentra (bezoek [www.ryobitools.eu](http://www.ryobitools.eu)) of rechtstreeks aan: Techtronic Industries GmbH, Max Eyth Straße 10, 71364 Winnenden, Germany. Vermeld het serienummer en het type product dat op het etiket staat.

## PT CONDIÇÕES DE APLICAÇÃO DA GARANTIA RYOBI

Para além de quaisquer direitos previstos por lei resultantes da compra, este produto está coberto por uma garantia conforme descrição abaixo.

1. O período da garantia é de 24 meses para consumidores particulares e inicia-se na data de compra do produto. Esta data tem de ser documentada por uma factura ou por outra prova de compra. O produto foi concebido para e destina-se apenas a consumidores particulares e uso privado. Assim, não é dada garantia em caso de utilização por profissionais ou uso comercial.
2. Para uma parte da gama de ferramentas de jardim (AC/DC) existe a possibilidade de prolongamento do período da garantia para além do período descrito acima, mediante registo no Web site [www.ryobitools.eu](http://www.ryobitools.eu). A elegibilidade das ferramentas para prolongamento do período da garantia é claramente visível nas lojas e/ou nas embalagens e está contida na documentação do produto. O utilizador final tem de fazer o registo online das suas ferramentas recém-adquiridas no prazo de 30 dias após a data de compra. O utilizador final pode fazer o registo para prolongamento da garantia no seu país de residência, desde que esteja listado no formulário de registo online e para os casos em que esta opção seja válida. Para além disso, os utilizadores finais têm de autorizar o armazenamento dos dados cujo preenchimento lhes for solicitado online e têm de aceitar os termos e as condições. O recibo de confirmação do registo é enviado por e-mail e, em conjunto com a factura original ostentando a data de compra, servirá de prova do prolongamento da garantia.
3. A garantia cobre todos os defeitos do produto durante o período da garantia devidos a defeitos de fabrico ou de material à data da compra. A garantia está limitada à reparação e/ou substituição e não inclui quaisquer outras obrigações, incluindo mas não se limitando a, perdas complementares ou indirectas. A garantia não é válida se o produto tiver sido utilizado incorrectamente, utilizado de forma contrária ao Manual de Instruções ou se as respectivas ligações tiverem sido feitas incorrectamente. Esta garantia não se aplica ao seguinte:
  - quaisquer danos ao produto que sejam resultado de manutenção incorrecta
  - qualquer produto que tenha sido alterado ou modificado
  - qualquer produto cujas marcações de identificação de origem (marca comercial, número de série) tiverem sido apagadas, alteradas ou retiradas
  - quaisquer danos causados pelo incumprimento do Manual de Instruções
  - qualquer produto que não seja da Comunidade Europeia
  - qualquer produto ao qual tenha sido feita, ou tentada fazer, uma reparação por outra pessoa que não um profissional habilitado ou sem autorização prévia da Techtronic Industries.
  - qualquer produto ligado a uma fonte de alimentação eléctrica incorrecta (Amperes, Voltagem e Frequência)
  - qualquer produto utilizado com uma mistura de combustível incorrecta (combustível, óleo, percentagem de óleo)
  - qualquer dano causado por influências externas (químicas, físicas, impactos) ou substâncias estranhas
  - desgaste e degradação normal de sobresselentes
  - utilização incorrecta, sobrecarga da ferramenta
  - utilização de acessórios ou peças não aprovados
  - quaisquer ajustes periódicos a, ou limpeza de manutenção de, carburadores
  - Componentes (peças e acessórios) sujeitos a desgaste e degradação natural, incluindo mas não se limitando a, maçanetas anti-choque, correias de transmissão, embraiaçagens, lâminas de recortadores de sebes ou cortarelas, arneses, cabos de acelerador, escovas de carvão, cabos eléctricos, dentes, anilhas de feltro, pinos de engate, ventoinhas do soprador, tubos do soprador e do aspirador, cintas e sacos do aspirador, barras de guia, correntes de serra, mangueiras, peças de ligação, bocais de pulverização, rodas, varinhas de pulverização, bobinas interiores, bobinas exteriores, linhas de corte, velas de ignição, filtros do ar, filtros de gasolina, lâminas trituradoras, etc.
4. Para assistência, o produto tem de ser enviado para, ou apresentado em, um posto de assistência autorizado RYOBI, conforme listado para cada país na lista de moradas de postos de assistência seguinte. Nalguns países, o seu concessionário RYOBI local encarrega-se de enviar o produto para a organização de assistência RYOBI. Quando enviar um produto para um posto de assistência RYOBI, o produto deve ser embalado de forma segura, sem conter nenhuns conteúdos perigosos (por exemplo, gasolina), marcado com o endereço do remetente e acompanhado por uma breve descrição da avaria.
5. Uma reparação/substituição ao abrigo desta garantia é gratuita. Não constitui um prolongamento a, nem um novo início de, o período da garantia. As peças ou ferramentas substituídas tornam-se propriedade nossa. Nalguns países, o remetente terá de pagar os custos de entrega ou a remessa postal. Os seus direitos previstos por lei resultantes da compra da ferramenta mantêm-se inalterados
6. Esta garantia é válida na Comunidade Europeia, Suíça, Islândia, Noruega, Liechtenstein, Turquia, Rússia e Reino Unido. Fora destas áreas, entre em contacto com o seu concessionário autorizado RYOBI para determinar se existe outra garantia aplicável.

### CENTRO DE ASSISTÊNCIA AUTORIZADO

Qualquer pedido ou problema relacionado com o produto pode ser encaminhado para os seus centros de reparação autorizados locais (visite [www.ryobitools.eu](http://www.ryobitools.eu)) ou directamente para: Techtronic Industries GmbH, Max Eyth Straße 10, 71364 Winnenden, Germany. Indique o número de série e o tipo de produto impressos na etiqueta.

## DA RYOBI BETINGELSER FOR GARANTI

Udover lovbestedte rettigheder, som resulterer af købet, er dette produkt dækket af en garanti, som anført herunder.

1. Garantiperioden er 24 måneder for forbrugere og begynder på den dato, som produktet blev købt. Denne dato skal dokumenteres af en faktura eller andet bevis for køb. Produktet er udelukkende designet og dedikeret til forbrugere og privat brug. Så der ydes ingen garanti i tilfælde af professionel eller kommerciel brug.
2. Der er en mulighed for at forlænge garantiperioden for en del af udvalgt af haveværktøj (AC/DC), hen over den ovenfor beskrevne periode vha. registrering på hjemmesiden [www.ryobitools.eu](http://www.ryobitools.eu). Berettigelsen af værktøjet til forlængelse af garantiperioden er tydeligt vist i butikker og/eller på emballage og indeholdt i produktokumentationen. Slutbrugeren skal registrere hans/hendes nyligt indkøbte værktøj online indenfor 30 dage efter købsdatoen. Slutbrugeren kan registrere sig for den forlængede garanti i sit land, hvis han/hun er opført på den online registreringsformular, hvor denne mulighed er gyldig. Derudover skal slutbrugere give deres samtykke til at opbevare data, som er påkrævet at indstætte online, og de er nødt til at acceptere vilkår og betingelser. Registreringsbekræftelseskvitteringen, som sendes ud på e-mail, og den originale faktura, som viser købsdatoen, vil fungere som bevis for den forlængede garanti.
3. Garantien dækker alle defekter, som et produkt måtte have i løbet af garantiperioden, og som skyldes produktionsfejl eller materialefejl på købsdatoen. Garantien er begrænset til reparation og/eller udskitning og inkluderer ikke andre forpligtelser, inklusiv men ikke begrænset til tilfældige skader eller følgeskader. Garantien er ugyldig, hvis produktet er blevet misbrugt, brugt uden at overholde vejledningen, eller det er blevet forkert tilsluttet. Denne garanti gælder ikke:
  - Beskadigelse af produktet, som er et resultat af uegnet vedligeholdelse
  - Et produkt der er blevet ændret eller modificeret
  - Et produkt hvor de originale identifikationsmærkninger (varemærke, serienummer) er blevet ændret, ødelagt eller fjernet.
  - Enhver beskadigelse forårsaget af manglende overholdelse af vejledningen
  - Ethvert ikke CE-produkt
  - Ethvert produkt som er blevet forsøgt repareret af en ukvalificeret professionel eller uden tidligere autorisation af Techtronic Industries.
  - Ethvert produkt som er tilsluttet uegnet strømforsyning (ampere, spænding, frekvens)
  - Ethvert produkt som bruges med uegnet brændstofblanding (brændstof, olie, procentdel olie)
  - Enhver skade forårsaget af eksternt påvirkning (kemisk, fysisk, chok) eller fremmedelementer
  - Normal slid på reservedele
  - Uegnet brug, overbelastning af værktøjet
  - Brug af ikke-godkendt tilbehør eller dele
  - Alle regelmæssige justeringer eller vedligeholdelsesrengøring af karburatorer
  - Komponenter (dele og tilbehør) som er udsat for naturlig slid og ælde, inklusiv men ikke begrænset til drejeknapper, drivrem, greb, klinger til hækktrimmere eller plæneklippere, sele, kabel gasspænd, kulbøster, elledning, tænder, filterkiver, ophængstapper, blæseventilatorer, blæser- og sugeslanger, sugespøge og stropper, styrestrenger, savkæder, slanger, forbindelsespakninger, sprøjetjyser, hjul, sprøjetæve, indvendige ruller, udvendige ruller, udvendige spoler, skærelinjer, tændrør, luftfiltre, gasfiltre, tildækningsblade etc.
4. For eftersyn skal produktet sendes til eller præsenteres for en RYOBI-autoriseret service værksted, som er oplyst for hvert land i den følgende liste over service værksted adresser. I nogle lande påtager din lokale RYOBI-forhandler sig ansvaret for at sende produktet til RYOBI-serviceorganisationen. Når et produkt sendes til en RYOBI-service værksted, skal det pakkes sikkert inden noget farligt indhold som benzin, mærkes med afsenderens adresse og med en kort beskrivelse af fejlen.
5. En reparation/erstatning under denne garanti er gratis. Den udgør ikke en forlængelse eller en ny start på garantiperioden. Udvekslede dele eller værktøjer bliver vores ejendom. I nogle lande skal leveringsafgifter eller porto betales af afsenderen. Dine lovbestedte rettigheder i forbindelse med købet forbliver uanfægtede
6. Denne garanti gælder i EU, Schweiz, Island, Norge, Liechtenstein, Tyrkiet, Rusland og Storbritannien. Udenfor disse områder bedes du kontakte din autoriserede RYOBI-forhandler for at afgøre, om en anden garanti gælder.

### AUTORISERED SERVICE/VÆRKSTEDER

Enhver anmodning eller problem angående produktet kan adresseres til dine lokale autoriserede servicecentre (gå ind på [www.ryobitools.eu](http://www.ryobitools.eu)) eller direkte til: Techtronic Industries GmbH, Max Eyth Straße 10, 71364 Winnenden, Germany. Angiv serienummer og produkttype, der er trykt på etiketten.

## SV RYOBI ANVÄNDNINGSVILLKOR FÖR GARANTI

Förutom eventuella lagstadgade rättigheter som uppstår genom köpet, täcks den här produkten av en garanti som anges nedan.

- Garantiperioden är 24 månader för konsumenter och börjar gälla från det datum då produkten köptes. Detta datum måste dokumenteras på en faktura eller annat köpbevis. Produkten är utformad och avsedd för konsumenter och privat bruk. Därmed tillhandahålls ingen garanti vid yrkesmässigt eller kommersiellt bruk.
- Det finns möjlighet att förlänga garantiperioden för en del av utbudet för trädgårdsverktyg (AC/DC) under den period som anges ovan genom att använda registreringen på webbplatsen [www.ryobitools.eu](http://www.ryobitools.eu). De verktyg som är berättigade till en förlängning av garantiperioden visas tydligt i butik och/eller på förpackningen/och anges i produktdokumentationen. Slut användaren behöver registrera hans/hennes nyförvärvade verktyg online inom 30 dagar från köpdatumet. Slut användaren kan registrera sig för den förlängda garantin i det land där han/hon bor om landet finns angivet i registreringsformuläret online och där detta alternativ är giltigt. Dessutom måste slut användaren ge sitt medgivande till lagring av data vilket krävs vid registrering online samt acceptera villkoren. Bekräftelsekvittot för registreringen som skickas ut via e-post och originalfakturan som visar köpdatumet kommer att gälla som bevis för den förlängda garantin.
- Garantin täcker alla produktdefekter under garantiperioden som beror på buster i utförande eller material vid köpdatumet. Garantin är begränsad gällande reparation och/eller utbyte och inkluderar inte några skyldigheter inklusive men inte begränsat till oförutsedda skador eller följskador. Garantin är inte giltig om produkten har missbrukats, använts i strid med bruksanvisningen eller inte anslutits på rätt sätt. Denna garanti täcker inte:
  - eventuella skador på produkten som uppstått till följd av felaktigt underhåll
  - produkter som har ändrats eller modifierats
  - produkter där ursprungliga identifieringsmärkningar (varumärke, serienummer) har målats över, ändrats eller tagits bort
  - eventuella skador som uppstått till följd av att bruksanvisningen inte efterföljts
  - alla icke CE-produkter
  - eventuella produkter som har försökts repareras av en icke-kvalificerad yrkesman eller utan föregående medgivande från Technronic Industries.
  - eventuella produkter som anslutits till felaktigt strömförsörjning (ampere, volt, frekvens)
  - eventuella produkter som använts med olämplig bränsleblandning (bränsle, olja, oljeprocent)
  - eventuella skador som uppstått till följd av yttre påverkan (kemisk, fysisk, stötar) eller främmande ämnen
  - normalt slitage av reservdelar
  - olämplig användning, överbelastning av verktyget
  - användningen av icke-godkända tillbehör eller delar
  - Eventuella periodiska justeringar av eller vid underhållsrengöring av förgasare
  - Komponenter (delar och tillbehör) är föremål för naturligt slitage, inklusive men inte begränsat till tryckknappar, drivremmar, koppling, blad till kantrimrar eller gräsklippare, sele, gasreglagevajer, kolborstar, strömstadd, spetsar, filterbrickor, kopplingsprint, blåsflikt, blås- och sugrör, sugpåse och remmar, styrskenor, sägkedjor, slangar, anslutningsdonrördel, spraymunstycken, hjul, spraystavar, innerskruvar, ytterskruvar, skärblad, tändstift, luftfilter, gasfilter, sönderdelningsblad osv.
- Vid service måste produkten skickas eller uppvisas för en RYOBI- auktoriserad servicestation som står angiven för varje land i följande adresslista över servicestationer. I vissa länder tar din lokala RYOBI- återförsäljare på sig ansvaret att skicka produkten till RYOBI- serviceorganisationen. När en produkt skickas till en RYOBI- servicestation, ska produkten paketeras säkert utan något farligt innehåll såsom bensin, markeras med avsändarens adress samt en kort beskrivning av felet.
- En reparation/ett utbyte under denna garanti är kostnadsfri. Det utgör inte en förlängning eller förnyelse av garantiperioden. Utbyta delar eller verktyg blir vår egendom. I vissa länder måste leveranskostnader eller porto betalas av avsändaren. Dina lagstadgade rättigheter som härrör från köpet av verktyget förblir opåverkade
- Denna garanti är giltig i Europeiska gemenskapen, Schweiz, Island, Norge, Liechtenstein, Turkiet, Ryssland och Storbritannien. Utanför dessa länder, kontakta din auktoriserade RYOBI-återförsäljare för att avgöra om en annan garanti gäller.

### AUKTORISERAT SERVICECENTER

Varje begäran eller problem avseende produkten kan adresseras till ditt lokala auktoriserade servicecenter (besök [www.ryobitools.eu](http://www.ryobitools.eu)) eller direkt till: Technronic Industries GmbH, Max Eyth Straße 10, 71364 Winnenden, Germany. Ange serienumret och produkttypen som anges på etiketten.

## FI RYOBI-TAKUUN SOVELTAMISEHDOT

Tällä tuotteella on oston luomien lakisäästeiden oikeuksien ohella alla mainitun mukainen takuu.

- Takuun kesto on kuluttajille 24 kuukautta ja takuu-aika alkaa tuotteen ostohetkestä. Tämän päivämäärän tulee lukea laskusta tai muussa ostositteesta. Tuote on suunniteltu ja tarkoitettu vain kuluttajien ja yksityiseen käyttöön. Takuu ei siis kata ammatti- eikä kaupallista käyttöä.
- Joidenkin puutarhatyökalujen (AC/DC) takuun kesto on mahdollista laajentaa yllä mainittua takuuta pidemmäksi verkkosivuston [www.ryobitools.eu](http://www.ryobitools.eu) rekisteröinnin kautta. Työkalujen kelpoisuus takuujakson laajennukseen näky selkeästi myymälöissä ja/tai pakkauksissa ja/tai tämä tieto sisältyy tuotedokumentaation. Loppukäyttäjän täytyy rekisteröidä vasta hankittu työkalu internetissä 30 päivän kuluessa ostopäivämäärästä. Loppukäyttäjällä voi rekisteröidä laajennettua takuun kolmeaanssa, jos se on luettuna online-rekisteröintilomakkeessa, jossa mainitaan, missä tämä vaihtoehto on voimassa. Loppukäyttäjien täytyy lisäksi hyväksyä tietojen tallennus, jotka heidän täytyy antaa online-tilassa sekä ehdot. Rekisteröinnin vahvistuskuitti, joka lähetetään sähköpostitse, ja alkuperäinen ostopäivämäärän ilmaiseva lasku toimivat laajennettua takuun toistina.
- Takuu kattaa kaikki tuotteen teknisiin vaurioihin, joiden aiheuttajina ovat tuotteen ostopäivänä olleet valmistus- tai materiaali- vauriot. Takuu on rajoitettu korjaukseen ja/tai vaihtoon eikä se sisällä mitään muita velvoitteita mukaan lukien satunnais- ja seuranaisvahinkoja, mutta rajoittumatta niihin. Takuu ei päde, jos tuotetta on käytetty väärin, käyttöohjeen vastaisesti tai jos se on liitetty virheellisesti. Tämä takuu ei kata:
  - virheellisestä huollosta johtuvia vaurioita
  - muunnettua tai muutettua tuotetta
  - tuotetta, jonka alkuperäiset tunnistemerkinnät (tavaramerkki, sarjanumero) on turmeltu, muutettu tai poistettu
  - tämän käyttöoppaan laiminlyönnistä johtuvia vaurioita
  - ei-CE-tuotetta
  - tuotetta, jota on yrittänyt korjata epäpätevä ammattilainen tai joka on korjattu ilman Technronic Industriesin ennakkolupaa.
  - tuotetta, joka on liitetty virheelliseen tehollisuuteen (ampeirit, jännite, taajuus)
  - tuotetta, jossa on käytetty väärää polttoainesta (polttoaine, öljy, öljyprosentti)
  - ulkoisten vaikutusten (kemiallinen, fyysinen, iskut) tai vieraiden aineiden aiheuttamaa vauriota
  - normaaleja kulumia vaurioita
  - virheellistä käyttöä, työkalun ylikuormitusta
  - ei-hyväksytyjen tarvikkeiden tai osien käyttöä
  - Kaasutinten säännöllistä säätöä tai ylläpitävää puhdistusta
  - Luonnollisesti kulumia komponentteja (osia tai tarvikkeita), joihin sisältyvät puskunupit, käyttöihnnat, kytkin, pensasleikkuriin tai ruohonleikkuriin terät, valjaat, kaasuvaijeri, hiiharijat, virtajohto, piikit, huopatiivistet, sokkatapit, puhallinten tuuletimet, puhallin- ja imuputket, imuriin säkit ja ihnnat, terälevyt, sahanketjut, letkut, liitinosa, suihkusuuttimet, pyörät, ruiskutusputket, sisä- ja ulkoelä, leikkusuimat, hehkutulpat, ilmaansuodattimet, kaasusuodattimet, silpputerät yms. näihin kuitenkaan rajoittumatta.
- Tuote on lähetettävä huollettavaksi valtuutettuun RYOBI-huoltoon tai näytettävä siellä. Niiden osoitteet kussakin maassa löytyvät seuraavasta luettelosta. Joissakin maissa paikallinen RYOBI-jälleenmyyjä huolehtii tuotteen lähetyksestä RYOBI-huolto-organisaatioon. Kun tuote lähetetään RYOBI-huoltoon, se täytyy pakata hyvin ilman vaarallisia aineita, kuten polttoainetta, ja pakkaukseen täytyy merkitä lähettäjän nimi sekä vian lyhyt kuvaus.
- Takuun kattama korjaus/vaihto on maksuton. Se ei tarkoita takuuaajan laajennusta tai alkamista alusta. Vaihdetut osat tai työkalut siirtyvät valmistajan omistukseen. Joissakin maissa lähettäjän täytyy maksaa lähetyksustannukset tai postikulut. Työkalun oston luomat lakisäästeiset oikeudet pysyvät koskemattomina
- Tämä takuu on voimassa Euroopan yhteisössä, Sveitsissä, Islannissa, Norjassa, Liechtensteinissä, Turkissa, Venäjällä ja Yhdistyneessä kuningaskunnassa. Osa näiden alueiden ulkopuolella yhteyttä omaan valtuutettuun RYOBI-jälleenmyyjään ja selvitä, onko jotain muuta takuuta.

### VALTUUTETTU HUOLTO

Kaikki tuotteen liittyvät pyynnöt tai kysymykset voidaan osoittaa paikallisille valtuutetuille huoltoilikeille (katso [www.ryobitools.eu](http://www.ryobitools.eu)) tai suoraan osoitteeseen: Technronic Industries GmbH, Max Eyth Straße 10, 71364 Winnenden, Germany. Ilmoita tarraan painettu sarjanumero ja tuotetyyppi.



## NO RYOBI GARANTIBETINGELSER

I tillegg til eventuelle lovbestemte rettigheter som følger av kjøpet, er dette produktet dekket av en garanti som angitt nedenfor.

- Garantiperioden er 24 måneder for konsumenter og gjelder fra den datoen som produktet ble kjøpt. Denne datoen skal dokumenteres med en faktura eller annet kjøpsbevis. Produktet er designet og beregnet kun til konsument- og privat bruk. Så det gis ingen garanti ved profesjonell eller kommersiell bruk.
- For en del av utvalget av hageverktøy (AC/DC) er det mulighet til å utvide garantiperioden i den perioden som er beskrevet ovenfor ved bruk av registreringer på nettsidene [www.ryobitools.eu](http://www.ryobitools.eu). Kvalifiseringen av verktøyene for en utvidelse av garantiperioden er tydelig vist i butikker og/eller på pakningen / og finnes innen produktdokumentasjonen. Slutbrukeren må registrere sine nylig anskaffede verktøy online innen 30 dager etter kjøpsdato. Slutbrukeren kan registrere seg for den utvidede garantien i sitt land hvis det er opplistet på online registreringsskjemaet der dette alternativet er gyldig. Videre må slutbrukere gi sitt samtykke til oppbevaring av dataene som kreves for å gå online, og de må godta vilkår og betingelser. Registreringsbekreftelsen, som sendes ut på e-post, og den originale fakturaen som viser kjøpsdato, vil tjene som bevis for den utvidede garantien.
- Garantien dekker alle defekter i produktet under garantiperioden på grunn av defekter i uferøse eller materiale på kjøpsdato. Garantien er begrenset til å reparere eller erstatte og inkluderer ikke noen andre forpliktelser, inkludert, men ikke begrenset til, tilfellede eller følgesmessige skader. Garantien er ikke gyldig hvis produktet har blitt misbrukt, brukt på annen måte enn det som beskrives i bruksanvisningen eller er koblet til på feil måte. Denne garantien gjelder ikke for:
  - enhver skade på produktet som er resultat av utilstrekkelig vedlikehold
  - ethvert produkt som har blitt endret eller modifisert
  - ethvert produkt der de originale identifiseringsmerkene (varemerke, serienummer) har blitt uleselig, er endret eller fjernet
  - enhver skade som forårsakes av ikke-overholdelse av instruksjonshåndboken
  - ethvert ikke-CE-produkt
  - ethvert produkt som har blitt forsøkt reparert eller av en ikke-kvalifisert fagperson eller uten tidligere autorisasjon fra Technonic Industries.
  - ethvert produkt tilkoblet feil strømforsyning (ampere, spenning, frekvens)
  - ethvert produkt som brukes med feil drivstoffblanding (drivstoff, olje, prosentandel olje)
  - enhver skade som er forårsaket av eksterne påvirkninger (kjemiske, fysiske, støt) eller fremmede stoffer
  - normal slitasje og sliteservedeler
  - feil bruk, overbelastning av verktøyet
  - bruk av ikke-godkjent tilbehør eller deler
  - Eventuelle periodiske justeringer av eller vedlikeholdsrengjøring av forbrennere
  - Komponenter (deler og tilbehør) som er underlagt naturlig slitasje, inkludert, men ikke begrenset til bulkknott, drivreimer, clutch, blader på hekktrimmere eller gressklippere, seler, kabelspjeld, karbonbørster, strømledning, kniver, feltpakninger, heispinner, blåsevifter, blåse- og vakuumslang, vakuumpose og reimer, førerstenger, sagkjeder, strømper, koblingsmonteringer, spraydyser, hjul, spraystenger, indre spoler, ytre spoler, kutteliner, tennplugg, luftfilter, gassfilter, mulchingblader osv.
- For service må produktet sendes eller fremlegges for en RYOBI- autorisert servicestasjon opplistet for hvert land i den følgende listen over servicestasjonsadresser. I noen land sender den lokale RYOBI-forhandleren produktet til RYOBI serviceorganisasjonen. Ved å sende et produkt til en RYOBI servicestasjon skal produktet være sikkert pakket uten noe farlig innhold, slik som bensin, merket med senderens adresse og fulgt av en kort beskrivelse av feilen.
- En reparasjon/erstatning under denne garantien er gratis. Den utgjør ingen forlengelse eller en ny start av garantiperioden. Utvekslede deler eller verktøy blir vår eiendom. I noen land vil leveringskostnader eller franking måtte betales av senderen. Dine lovbestemte rettigheter som oppstår fra kjøp av verktøyet forblir uberørt.
- Denne garantien er gyldig i EU, Sveits, Island, Norge, Liechtenstein, Tyrkia, Russland og Storbritannia. Utenfor disse områdene ta kontakt med din autoriserte RYOBI-forhandler om en annen garanti gjelder.

### AUTORISERT SERVICESTER

Enhver forespørsel eller problem med produktet kan henvises til de lokale autoriserte servicestasjonene (se [www.ryobitools.eu](http://www.ryobitools.eu)) eller direkte til: Technonic Industries GmbH, Max Eyth Straße 10, 71364 Winnenden, Germany. Angi serienummer og produkttype som er trykket på etiketten.

## RU УСЛОВИЯ ПРИМЕНЕНИЯ ГАРАНТИИ НА ПРОДУКЦИЮ RYOBI

Помимо законных прав, возникающих при покупке, данное изделие покрывается гарантией в соответствии с приведенными ниже пунктами.

- Гарантийный период для покупателя составляет 24 месяца с даты покупки изделия. Дата покупки должна быть подтверждена полностью заполненным гарантийным талоном и чеком о покупке. Данное изделие предназначено только для частного использования покупателем. Поэтому гарантия не распространяется на использование в профессиональных или коммерческих целях.
- Предусмотрена возможность продления для части изделий линейки садовых инструментов (AC/DC) гарантийного периода с помощью регистрации на сайте [www.ryobitools.eu](http://www.ryobitools.eu). Право инструмента на продление гарантийного периода четко указано в магазинах и / или на упаковке / и содержится в сопутствующей инструменту документации. Конечный пользователь должен зарегистрировать свой приобретенный инструмент в течение 30 дней с даты покупки. Конечный пользователь может зарегистрировать свой инструмент на продление гарантии в стране своего проживания, если она указана в форме онлайн-регистрации. Кроме того, конечный пользователь должен дать свое согласие на хранение данных, которые необходимо ввести в онлайн-форму и принять правила и условия. Подтверждение регистрации, которое вы получите по электронной почте, полностью гарантийный талон и оригинальный чек, в котором указана дата покупки, будут служить доказательством продленной гарантии.
- Гарантия покрывает в течение гарантийного периода все дефекты качества или материала изделия на дату покупки. Гарантия ограничена ремонтом и / или заменой и не включает никакие другие обязательства, включая, но не ограничиваясь случайными или косвенными убытками. Гарантия становится недействительной, если изделие использовалось не по назначению, вопреки инструкциям, данным в Руководстве пользователя или было неправильно подключено. Настоящая гарантия не распространяется на:
  - любые повреждения изделия в результате неправильного технического обслуживания или недостаточного ухода за инструментом
  - любые изделия, подвергшиеся изменениям и модификации
  - любые изделия, оригинальные идентификационные отметки которого (торговая марка, серийный номер) были повреждены, изменены или удалены
  - любые повреждения, вызванные несоблюдением инструкций Руководства пользователя
  - любые изделия, не сертифицированные маркировкой "CE" для продажи в Европейском союзе
  - любые изделия, подвергшиеся попыткам ремонта неквалифицированным работником или без предварительного утверждения компании Technonic Industries.
  - любые изделия, подключенные к неправильно источнику питания (сила тока, напряжение, частота)
  - любые изделия, в которых использовались несоответствующие топливные смеси (топливо, масло, процент масла)
  - любые повреждения, вызванные внешними воздействиями (химические, физические, удары) или посторонними веществами
  - естественный износ запасных деталей
  - несоответствующее использование, перегрузка инструмента
  - использование неутвержденных аксессуаров и неоригинальных запасных деталей
  - любые регулярные регулировки, техническое обслуживание или чистка карбюраторов
  - компоненты (детали и аксессуары), подверженные естественному износу, включая, но не ограничиваясь фиксаторы шпули приводные ремни, сцепные муфты, лезвия триммеров и газонокосилок, плечевые ремни, кабельный дроссельный регулятор, угольные щетки, кабели питания, зубья, волочные шайбы, фиксирующие шпильки, вентиляторы воздухоуду, трубки воздухоуду и пылесоса, мешок для сбора мусора и ремни, пыльные шины, пыльные цепи, шланги, соединительные детали, распылительные насадки, колеса, распылительные переходники, внутренние катушки и шпули, режущую леску, свечи зажигания, воздушные и топливные фильтры, мультицирующие лезвия и др.
- Для проведения технического обслуживания изделие следует направлять в авторизованные сервисные центры RYOBI, указанные для каждой страны в приведенном ниже списке адресов станций сервисного обслуживания. В некоторых странах местные дилеры RYOBI отправляют изделия в сервисные организации RYOBI. При отправке изделия в сервисный центр RYOBI, изделие должно быть безопасно упаковано и не содержать никаких опасных веществ, таких как бензин, должен быть подписан адрес отправителя и сопровождаться кратким описанием неисправности.
- Ремонт / замена проводится в рамках настоящей гарантии бесплатно. Он не продлевает гарантию и не начинает новый гарантийный период. Заменяемые детали и инструменты становятся нашей собственностью. В некоторых странах отправитель должен оплачивать стоимость отправки. Ваши законные права, возникшие при покупке инструмента, остаются неизменными
- Настоящая гарантия действительна в Европейском Сообществе, Швейцарии, Исландии, Норвегии, Лихтенштейне, Турции, России и Великобритании. Вне указанных территорий обращайтесь к своему авторизованному дилеру RYOBI, чтобы узнать, применяются ли условия каких-либо других гарантий.

### УПОЛНОМОЧЕННЫЙ СЕРВИСНЫЙ ЦЕНТР

При возникновении проблем с изделием обращайтесь в один из региональных авторизованных сервисных центров (см. [www.ryobitools.eu](http://www.ryobitools.eu)) или напрямую: Technonic Industries GmbH, Max Eyth Straße 10, 71364 Winnenden, Germany. Укажите серийный номер и тип изделия, указанные на табличке.



## PL WARUNKI GWARANCJI RYOBI

Opórcz praw ustawowych wynikających z zakupu produkt jest objęty gwarancją, której warunki podano poniżej.

- Okres gwarancji wynosi 24 miesiące dla konsumentów i rozpoczyna się w dniu zakupu produktu. Datę zakupu należy udokumentować fakturą lub innym dowodem zakupu. Produkt został zaprojektowany i jest przeznaczony do użytku konsumenckiego i prywatnego. W związku z tym gwarancja nie obejmuje zastosowań profesjonalnych i komercyjnych.
- Istnieje możliwość wydłużenia okresu gwarancyjnego dla części asortymentu narzędzi ogrodniczych (AC/DC) poprzez zarejestrowanie produktu na stronie internetowej [www.ryobitools.eu](http://www.ryobitools.eu). Kwalifikowalność narzędzi do wydłużenia okresu gwarancyjnego jest wyraźnie określona w sklepach i/lub na opakowaniu oraz w dokumentacji produktu. Użytkownik końcowy musi zarejestrować nowo kupione narzędzia online w ciągu 30 dni od daty zakupu. Użytkownik końcowy może zarejestrować się w celu przedłużenia gwarancji w swoim kraju zamieszkania, jeżeli jest on wymieniony w formularzu rejestracji online, gdzie opcja ta obowiązuje. Ponadto użytkownicy końcowi muszą wyrazić zgodę na przechowywanie danych, wprowadzanych na stronie internetowej i zaakceptować regulamin. Dowodem wydłużenia gwarancji jest wysłane pocztą elektroniczną potwierdzenie rejestracji i oryginalny faktura potwierdzający datę zakupu.
- Gwarancja obejmuje wszystkie wady produktu ujawnione w okresie gwarancyjnym wynikające usterek wykonania lub materiału obecných w dniu zakupu. Gwarancja jest ograniczona do naprawy i/lub wymiany i nie obejmuje żadnych innych zobowiązań, w tym między innymi odpowiedzialności za szkody przypadkowe lub wtórne. Gwarancja nie obejmuje, jeżeli produkt był nieprawidłowo używany, używany niezgodnie z instrukcją lub nie był prawidłowo podłączony. Gwarancja nie obejmuje:
  - uszkodzenia produktu wynikającego z nieprawidłowej konserwacji,
  - produktu, który został zmieniony lub zmodyfikowany,
  - produktu, którego oryginalne oznaczenie (znak towarowy, numer seryjny) zostało zniszczone, zmienione lub usunięte,
  - jakiegokolwiek uszkodzeń wynikających z nieprzestrzegania instrukcji,
  - jakiegokolwiek produktu bez certyfikatu CE,
  - jakiegokolwiek produktu, który próbowano naprawić z pomocą niewykwalifikowanej osoby lub bez uzyskania wcześniejszej zgody firmy Technonic Industries.
  - jakiegokolwiek produktu podłączonego nie prawidłowego źródła zasilania (nieprawidłowe nateżenie prądu, napięcie, częstotliwość),
  - jakiegokolwiek produktu, który był używany z nieprawidłową mieszanką paliwową (paliwo, olej, procentowy udział oleju),
  - jakiegokolwiek uszkodzeń spowodowanych wpływem czynników zewnętrznych (chemicznych, fizycznych, drgań) lub substancji obcych,
  - normalnego zużycia części zamienných,
  - nieprawidłowego użycia, przecięzienia narzędzia,
  - stosowania niezatwierdzonych akcesoriów lub części,
  - jakiegokolwiek okresowych regulacji lub czyszczenia gaźników w ramach konserwacji
  - elementów (części i akcesoriów) podlegających naturalnemu zużyciu, obejmujących, między innymi, kopolki do zwalniania żyłki, pasy napędowe, sprzęgło, ostrza przycinarek do żywopłotów lub kosiarzek do trawy, uprząż, przepustnicę linkową, szczotki węglowe, przewód zasilania, zęby, podkładki filcowe, kołki podnośnika, wentylatory dmuchawy, rury nadmuchowe i ssawne, worek na śmieci i paski, prowadnice, łańcuchy piły, węże, mocowanie złącz, dysze natryskowe, koła, przęty natryskowe, szpule wewnętrzne, szpule zewnętrzne, filtry gazu, ostrza do ściółkowania itp.
- W celu serwisowania produkt należy wysłać lub okazać w autoryzowanym punkcie serwisowym RYOBI znajdującym się na przedstawionym poniżej wykazie punktów serwisowych w poszczególnych krajach. W niektórych krajach lokalny dystrybutor produktów RYOBI podejmuje się wysyłki produktu do centrum serwisowego RYOBI. W przypadku wysyłki do punktu serwisowego RYOBI produkt — pozbawiony jakiegokolwiek niebezpiecznych substancji, na przykład benzyny — należy bezpiecznie zapakować i dołączyć adres nadawcy oraz krótki opis usterki.
- Naprawa/wymiana w ramach niniejszej gwarancji jest bezpłatna. Nie stanowi jednak o przedłużeniu lub rozpoczęciu od nowa biegu okresu gwarancyjnego. Wymienione części lub narzędzia stają się naszą własnością. W przypadku niektórych krajów nadawca będzie musiał uregulować koszty dostawy lub opłaty pocztowe. Prawa ustawowe wynikające z zakupu narzędzia pozostają niezmienione.
- Niniejsza gwarancja obowiązuje we Wspólnocie Europejskiej, Szwajcarii, na Islandii, w Norwegii, a także w Liechtensteinie, Turcji, Rosji oraz Zjednoczonym Królestwie Wielkiej Brytanii i Irlandii Północnej. Poza tymi obszarami należy skontaktować się z autoryzowanym dostawcą produktów RYOBI i ustalić, czy obowiązuje inna gwarancja.

### AUTORYZOWANY PUNKT SERWISOWY

Wszelkie zapytania i problemy z produktem można zgłaszać do lokalnych autoryzowanych centrów serwisowych (patrz [www.ryobitools.eu](http://www.ryobitools.eu)) lub bezpośrednio do: Technonic Industries GmbH, Max Eyth Straße 10, 71364 Winnenden, Germany. Prosimy o podanie wydrukowanego na etykiecie numeru seryjnego oraz typu produktu.

## CS ZÁRUČNÍ PODMÍNKY RYOBI

Kromě zákonných práv vyplývajících z koupě výrobku se na tento výrobek vztahuje také níže uvedené záruka.

- Záruční doba pro spotřebitele je 24 měsíců a začíná datem nákupu výrobku. Datum musí být zaznamenáno na fakturě nebo jiném dokladu o koupi. Tento výrobek je navržen a určen pouze pro soukromé účely spotřebitele. Záruka se tedy nevztahuje na profesionální nebo komerční využití výrobku.
- U některých zahradních nástrojů (AC/DC) je možné záruční dobu prodloužit. K tomu je nutná registrace na stránkách [www.ryobitools.eu](http://www.ryobitools.eu). Možnost prodloužené záruční doby výrobků je jasně uvedena v prodejních, popř. na obalech nebo v dokumentech o výrobku. Koncový uživatel musí svůj nový nástroj zaregistrovat online do 30 dnů od data nákupu. Koncový uživatel se může k prodloužené záruční době zaregistrovat v zemi trvalého pobytu, pokud je tato uvedena na internetovém registračním formuláři u výrobku, kde je tato možnost dostupná. Koncový uživatel musí dále souhlasit s uložením osobních údajů, která musí zadat na internetu, a přijmout obchodní podmínky. E-mail s potvrzením registrace a původní faktura s datem koupě poslouží jako důkaz o prodloužené záruce.
- Záruka se vztahuje na veškeré vady na výrobku v rámci záruční doby způsobené výrobními vadami nebo vadami materiálu v době koupě. Záruka je omezena na opravu, popřípadě výměnu a nezahrnuje žádné další povinnosti, včetně mimo jiné vedlejších či následných odškodnění. Záruka neplatí při použití výrobku k nevhodným účelům, v rozporu s uživatelskou příručkou nebo při nesprávném zapojení. Záruka se nevztahuje na:
  - veškeré škody na výrobku způsobené nesprávnou údržbou
  - veškeré produkty, které byly pozměněny nebo upraveny
  - veškeré produkty, kde byly původní identifikační prvky (obchodní značka, sériové číslo) poničeny, pozměněny nebo odstraněny
  - veškeré škody způsobené nedodržením podmínek uživatelské příručky
  - veškeré produkty bez CE certifikace
  - veškeré produkty, které se pokusil opravit nekvalifikovaný odborník nebo opravy bez předchozího svolení společnosti Technonic Industries.
  - veškeré produkty zapojené do nesprávného elektrického zdroje (proud, napětí, frekvence)
  - veškeré produkty používané s nevhodnou palivovou směsí (palivo, olej, procento oleje)
  - veškeré škody způsobené externími vlivy (chemickými, fyzickými, nárazy) nebo cizími látkami
  - běžné opotřebování dílů
  - nevhodné použití, přetěžování nástroje
  - použití neschválených příslušenství nebo dílů
  - veškerá pravidelná seřízení nebo čištění v rámci údržby karburátorů
  - komponenty (díly a příslušenství) podléhající opotřebení, včetně mimo jiné nárazových koleček, posuvných pásů, spojek, nožů plovových nůžek a sekaček na trávu, popruhu, plynového lanka, karbonových kartáčů, napájecího kabelu, zubů, plstěných podložek, závesných kolíků, větráků fukaru, trubic fukaru a vysavače, vaku a popruhu vysavače, vodících listů, plových řetězů, hadic, konektorů, trysek, kol, stříkačích tyčí, vnitřních cívek, vnějších kotočů, řezných strun, zapalovačích svíček, vzduchových filtrů, plynových filtrů, mulčovačích nožů atd.
- K provedení servisu musí být výrobek zaslán nebo předán do autorizovaného servisního centra společnosti RYOBI, jejichž adresy jsou uvedeny podle zemí v seznamu servisních center. V některých zemích za vás výrobek pošle servisní organizaci RYOBI sám prodejce výrobků této značky. Při zaslání výrobku do servisního centra RYOBI je potřeba výrobek bezpečně zabalit bez nebezpečného obsahu jako benzín, opatřit adresou odesílatele a připojit krátký popis závady.
- Oprava, popř. výměna v rámci této záruky je zdarma. Neznámená to prodloužení nebo začátek nové záruční lhůty. Vyměněné díly nebo nástroje přejdou do našeho vlastnictví. V některých zemích platí poštovné odesílatele. Vaše zákonná práva vyplývající z koupě tohoto nástroje zůstávají nedotčena.
- Tato záruka platí v Evropském společenství, Švýcarsku, na Islandu, v Norsku, Liechtensteinu, Turecku, Rusku a Spojeném království. Mimo tato území kontaktujte autorizovaného prodejce značky RYOBI, který zjistí, zda se na výrobek vztahuje jiná záruka.

### POVĚŘENÉ SERVISNÍ STŘEDISKO

S požadavky nebo problémy týkajícími se tohoto výrobku se můžete obracet na místní pověřené servisní středisko (podle [www.ryobitools.eu](http://www.ryobitools.eu)) nebo přímo na: Technonic Industries GmbH, Max Eyth Straße 10, 71364 Winnenden, Germany. Uveďte výrobní číslo a druh výrobku ze štítku.



## HU A RYOBI GARANCIA ALKALMAZÁSÁNAK FELTÉTELEI

A vásárlásból adódó törvényben rögzített jogok mellett a termékre az alábbi garancia vonatkozik.

1. A fogyasztói garancia tartama 24 hónap, mely a termék vásárlásának napjával kezdődik. Ezt a dátumot számlával vagy a vásárlást igazoló egyéb dokumentummal kell bizonyítani. A termék rendelése csak fogyasztói és magánéltelű használat. Ezért professzionális vagy kereskedelmi használat esetén a garancia nem érvényes.
2. A kerti szerszámok (egyenáramú/váltóáramú) egy részénél a garancia időtartama a [www.ryobitools.eu](http://www.ryobitools.eu) weboldalon regisztrálva meghosszabbítható. Az áruházakban, a csomagoláson, illetve a termék dokumentációjában egyértelműen jelezzve van, hogy az adott termék garanciája meghosszabbítható-e. A végfelhasználónak a vásárlás dátumától számított 30 napon belül regisztrálnia kell az újonnan vásárolt szerszámot. A végfelhasználó akkor regisztrálhat a kiterjesztett garanciára, ha az ország, ahol lakik, fel van sorolva az online regisztrációs újrapon azon országok között, ahol választható ez az opció. Ezenkívül a végfelhasználónak bele kell egyeznie az online regisztrálás során megadott adatok tárolásába, és el kell fogadnia a felhasználási feltételeket. A kiterjesztett garanciát a regisztráció beérékezésétől e-mailben küldött visszaigazolás és a vásárlás dátumát tartalmazó eredeti számla igazolja.
3. A garancia a termék vásárlásakor fennálló, a gyártás során keletkezett hibákra és anyaghibákra érvényes a garanciális időtartamon belül. A garancia csak a javításra/cserére korlátozódik, és nem terjed ki semmilyen egyéb kötelezettségre, nem kizárólagosan ideértve a véletlen vagy szándékos rongálást. A garancia nem érvényes, ha a terméket nem megfelelően, a használati utasításban foglaltakkal ellentétben, illetve nem megfelelően csatlakoztatva használták. A garancia nem vonatkozik:
  - a terméket a nem megfelelő karbantartás következtében ért károsodásra
  - megváltoztatott vagy átalakított termékre
  - olyan termékre, melyen az eredeti azonosítókat (védjegy, sorozatszám) megromgálták, megváltoztatták vagy eltávolították
  - a használati utasítás be nem tartásából eredő kára
  - CE jelöléssel nem rendelkező termékekre
  - olyan termékre, melyet nem képzett, illetve a Techtronic Industries által nem fejlesztett szerelő javított
  - nem megfelelő (áramerősségű, feszültségű, frekvenciájú) áramforrásra csatlakoztatott termékre
  - nem megfelelő üzemanyag-keverékkel (üzemanyag, olaj, olaj aránya) használt termékre
  - külső (vegyi, fizikai, ütés) hatásokból vagy idegen anyagokból eredő károokra
  - a cserélhető alkatrészek természetes kopására és elhasználódására
  - a szerszám helytelen használatára, túlterhelésére
  - nem jóváhagyott tartozékok és alkatrészek használatára
  - A karburátorok rendszeres beállítása, karbantartása, tisztítása
  - A természetes kopásnak és elhasználódásnak kitett alkatrészek és kiegészítők, például (de nem kizárólag) damildobok, ékszíjak, foglalatok, sövényvágók és fűnyírók kése, heveder, gázbomban, szénkefék, tápkábel, kultivátorfogak, ficalátétek, akasztószögek, fűvókészülékek ventilátora, fűvó- és szívócsovek, szívózsák és pántok, terelőrudak, fűrészlánccok, tömlők, csatlakozószerelvények, permetezőfejek, kerekék, permetezőzsárok, belső dobok, külső csévék, vágódamlok, gyújtógyertyák, légszűrők, gázsűrők, mulcsozókések stb.
4. A terméket javításra el kell vinni egy meghatalmazott RYOBI szervizbe; ezeket az egyes országokhoz a következők listában találja. Egyes országokban a helyi RYOBI kereskedő vállalja a termék elszállítását a RYOBI szervizbe. A terméket veszélyes tartalom, például benzin nélkül csomagolva, a feladó címét feltüntetve, a hiba rövid leírásával együtt küldje el a RYOBI szervizbe.
5. A jelen garancia hatálya alatt végzett javítás, illetve csere ingyenes. Nem jelenti a garanciális időtartam újraindulását. A kicserélt alkatrészek és szerszámok a mi tulajdonunkba kerülnek. Egyes országokban a szállítás vagy postázás költségét a feladó viseli. A bevőnek a szerszám megvásárlásából adódó törvényes jogai nem változnak.
6. Ez a garancia az Európai Közösségben, Svájcban, Izlandon, Norvégiában, Liechtensteinben, Törökországban, Oroszországban és az Egyesült Királyságban érvényes. E területen kívül kérdezze meg a RYOBI forgalmazót, hogy milyen garancia van érvényben.

### HIVATALOS SZERVIZKÖZPONT

Ha bármilyen kérése vagy problémája van a termékkel kapcsolatban, forduljon a helyi hivatalos szervizközponthoz (látogasson el a [www.ryobitools.eu](http://www.ryobitools.eu) oldalra), vagy közvetlenül ide: Techtronic Industries GmbH, Max Eyth Straße 10, 71364 Winnenden, Germany. Adja meg a címkére nyomtatott sorozatszámot és terméktípust.

## RO CONDIȚII DE APLICARE A GARANȚIEI PENTRU PRODUSELE RYOBI

În plus față de condițiile statutare rezultate din achiziționarea acestui produs, acesta este acoperit de garanția stipulată mai jos.

1. Perioada de garanție este de 24 de luni pentru consumatorii și începe de la data achiziționării produsului. Data de începere a garanției trebuie demonstrată cu o factură sau altă dovadă a cumpărării produsului. Produsul este destinat și conceput doar pentru utilizare în scopuri personale. Din acest motiv, nu se oferă garanție pentru utilizarea sa în scop profesional sau comercial.
2. Există posibilitatea de extindere a perioadei de garanție pentru gama de unelte electrice pentru grădini (de CA/CC) peste perioada stipulată mai sus prin înscrierea produsului pe website-ul [www.ryobitools.eu](http://www.ryobitools.eu). Eligibilitatea pentru perioada de extindere a garanției este afișată în mod clar în magazinele de vânzare și/sau pe ambalaj sau este inclusă în documentația livrată împreună cu produsul. Utilizatorul final este obligat să-și înregistreze produsul online în termen de maxim 30 de zile de la achiziția acestuia. Utilizatorul final poate înregistra produsul pentru garanția extinsă oferită în țara sa de rezidență dacă aceasta este listată în formularul de înregistrare online și dacă această opțiune este validă. În plus, utilizatorul final trebuie să-și dea acordul pentru stocarea datelor personale solicitate la înregistrarea online și trebuie să accepte termenii și condițiile. Mesajul de confirmare a înregistrării, trimis prin e-mail și factura originală cu data achiziției vor dovedi perioada de garanție extinsă.
3. Garanția acoperă toate defecțiunile produsului survenite în perioada de garanție datorate defectelor de execuție sau materialelor folosite, începând cu data achiziției acestuia. Garanția este limitată la reparare și/sau înlocuire și nu include alte obligații, inclusiv, dar fără a se limita la daune accidentale sau rezultate pe cale de consecință. Garanția își pierde valabilitatea dacă produsul este utilizat necorespunzător, utilizat neconform cu instrucțiunile de utilizare din manualul cu instrucțiuni sau conectat incorect. Garanția nu se aplică în cazul:
  - oricărei defecțiuni survenite în urma întreținerii necorespunzătoare a produsului
  - oricărui produs alterat sau modificat
  - oricărui produs la care inscripțiile cu datele de identificare (marca comercială, numărul de serie) au fost șterse, modificate sau îndepărtate
  - oricărei defecțiuni datorate neconformării cu instrucțiunile din manualul de utilizare
  - oricărui produs neretificat CE
  - oricărui produs asupra căruia au fost efectuate tentative de reparare de către personal necalificat sau fără autorizație prealabilă din partea Techtronic Industries.
  - oricărui produs conectat la o sursă de alimentare necorespunzătoare (curent, tensiune, frecvență)
  - oricărui produs utilizat cu un amestec de carburant necorespunzător (combustibil, ulei, proporții de adaos ulei)
  - oricărui defecțiuni datorate unor influențe externe (chimice, fizice, șocuri) sau substanțe străine
  - uzurii și fisurării normale a pieselor de rezervă
  - utilizării neadevurate, suprasolicitei unei unelte
  - utilizării de piese și accesorii neaprobate
  - Orice operații de curățare sau reglare periodică a carburatoarelor
4. Componentele (piese și accesorii) supuse uzurii și defecțiilor normale, care includ, fără a se limita la manșoane de protecție, curele de transmisie, ambreiaj, lamele de la tăietoarele de arbore sau gazon, hamașamente, cablu de accelerație, perii de cărbune, cordon de alimentare, dinți, discuri de păslă, știfturi de siguranță, ventilatoare de suflantă, tuburi de aspirare sau suflare, sac de colectare resturi și banda de susținere a acestuia, bare de ghidare, lanțuri de fierăstrău, furtunuri, accesorii de conectare, duze de pulverizare, volante, baghete de pulverizare, moșoare interne, carcase exterioare pentru moșoare, fire tăietoare, bujii, filtre de aer, filtre de gaz, lame de tocător, etc.
5. Pentru efectuarea reparațiilor, produsul trebuie trimis sau adus la un centru de reparații autorizat RYOBI din lista următoare de centre de reparații prezentate pentru fiecare țară. În anumite țări, reprezentatul local RYOBI va trimite produsul spre reparare la sediul central de reparații RYOBI. Atunci când trimiteți produsul spre reparare la un centru de reparații RYOBI, acesta trebuie ambalat în siguranță, fără conținut periculos (cum ar fi benzină), marcat cu adresa expeditorului și însoțit de o scurtă descriere a defectului.
6. Repararea/înlocuirea în perioada de garanție este gratuită. Aceasta nu este însoțită de o prelungire sau o reințiere a perioadei de garanție. Piesele sau uneltele schimbate devin proprietatea dvs. În anumite țări, taxele de expediție sau poștale vor fi suportate de expeditor. Drepturile dvs. statutare rezultate din achiziția produsului rămân neschimbate
7. Această garanție este valabilă în Comunitatea Europeană, Elveția, Islanda, Norvegia, Liechtenstein, Turcia, Rusia și Marea Britanie. În afara acestor zone, vă rugăm să contactați reprezentantul dvs. local RYOBI pentru a determina dacă se aplică alt tip de garanție.

### CENTRU DE SERVICE AUTORIZAT

Orice întrebare sau problemă în legătură cu produsul se poate adresa la centrele locale autorizate de service (vizitați [www.ryobitools.eu](http://www.ryobitools.eu)) sau direct la: Techtronic Industries GmbH, Max Eyth Straße 10, 71364 Winnenden, Germany. Vă rugăm să specificați numărul de serie și tipul de produs tipărite pe eticheta.





## LV RYOBI GARANTIJAS PIEMĒROŠANAS NOSACĪJUMI

Papildus jebkādam likumiskajam tiesībām, kuras rodas, veicot pirkumu, izstrādājums tiek nodrošināts ar tālāk tekstā noteikto garantiju.

1. Garantijas periods patērētājam ir 24 mēneši, tā atskaite tiek sākta no datuma, kad veikta izstrādājuma iegāde. Šim datumam jābūt dokumentētām rēķinā vai citā pirkumu apliecinošā dokumentā. Izstrādājums ir radīts un paredzēts tikai patērētāja privātai lietošanai. Saisītība ar iepriekšminēto, garantija netiek nodrošināta profesionālas vai komerciālas lietošanas gadījumā.
2. Pastāv iespēja pagarināt daļas no dārza instrumentu klāsta (Mainstrāvas/akumulatoru) garantiju ilgāk par iepriekš minēto periodu, izmantojot reģistrāciju interneta vietnē [www.ryobitools.eu](http://www.ryobitools.eu). Instrumenti, kas pakļauti garantijas perioda pagarināšanai, tiek skaidri apzīmēti veikalos un/vai uz iepakojuma un izstrādājumu komplektējošajā dokumentācijā. Gala lietotājam nepieciešams reģistrēt tā iegādāto jauno instrumentu 30 dienu laikā no pirkuma datuma. Gala lietotājs var reģistrēties pagarinātājai garantijai savā mītnes valstī, ja tā minēta lietošanas reģistrācijas veidlapā, kurā šī iespēja ir aktīva. Bez tam, gala lietotājam ir jāsniedz piekrišana lietošanas ieviešanai nepieciešamo datu glabāšanai un jāpiekrīt noteikumiem un nosacījumiem. Reģistrācijas apstiprinājums, kas tiek nosūtīts, izmantojot e-pastu, un rēķina oriģināls, kurā norādīts iegādes datums, kalpo kā pagarinātās garantijas apstiprinājums.
3. Garantija attiecas uz visiem izstrādājuma defektiem garantijas periodā, kas saistīti ar ražošanas vai materiālu defektiem no pirkuma datuma. Šī garantija tiek ierobežota ar remontu un/vai nomainītu un neietver jebkādas citas saistības, tajā skaitā, bet ne tikai, cēloņsakarīgos vai saistītos bojājumus. Garantija nav spēkā, ja izstrādājums ir nepareizi lietots, izmantots pretēji norādēm lietošanas rokasgrāmātā vai bijis nepareizi pieslēgts. Šī garantija netiek attiecināta uz:
  - jebkādām izstrādājuma bojājumiem, kas radušies nepareizas uzturēšanas rezultātā
  - jebkuru izstrādājumu, kas ticis pārveidots vai mainīts
  - jebkuru izstrādājumu, kura oriģinālās identifikācijas (preču zīme, sērijas numurs) marķējums ir ticis nodzēsts, mainīts vai noņemts
  - jebkādiem bojājumiem, kuri radušies neievērojot norādes lietošanas rokasgrāmātā
  - jebkādam izstrādājumam bez CE sertifikācijas
  - jebkaram izstrādājumam, kura remontu mēģinājis veikt nekvalificēts personāls vai bez Technonic Industries iepriekšējas autorizācijas.
  - jebkaram izstrādājumam, kurš bijis pieslēgts neatbilstošu parametru (strāvas, sprieguma, frekvences) sprieguma avotam
  - jebkaram izstrādājumam, kurš bijis izmantots ar nepareizi degvielas maisījumu (degviela, eļļa, eļļas procentuālais saturs)
  - jebkuriem bojājumiem, kuri radušies ārējas iedarbības (ķīmiskas, fiziskas, triecieni) vai vielu ietekmē
  - detaļu normāla lietošanas nodiluma rezultātā
  - nepareizas lietošanas vai instrumentu pārslodzes rezultātā
  - neapstiprinātu detaļu vai aprīkojuma lietošanas rezultātā
  - jebkādos periodiskus karburatoru regulēšanas darbus vai apkopes tīrīšanu
  - Komponentus (daļas un aksesuārus), kas pakļauti dabīgām nodilumam, ieskaitot, bet neaprobežojoties ar atsitiena pogām, piedziņas siksnām, sajūgiem, krūmu šķēru un plaujmašīnu asmeņiem, uzakbēm, droseļu trosītēm, oglekļa sukām, elektrības vadiem, tapām, filca aplākšņiem, sakabes tapām, pūtēja ventilatoriem, pūtēja un sūkšanas caurulēm, savākšanas maisiem un siksnām, vadotņu plankām, zaģu ķēdēm, šļūtenēm, savienojumu uzgaļiem, izsmidzinātāja uzgaļiem, riteniem, izsmidzinātāja caurulēm, iekšējām spoļēm, ārējām spoļēm, plaušanas auklām, aizdedzes svečēm, gaisa filtriem, degvielas filtriem, mulčēšanas asmeņiem, utt.
4. Servisa nodrošināšanai, izstrādājums ir jānodod pilnvarotā RYOBI servisa centrā, kas norādīts katrai valstij tālāk minētajā servisa centru adresē sarakstā. Dažās valstīs Jūsu vietējais RYOBI izplatītājs uzņemas izstrādājuma nosūtīšanu uz RYOBI servisa organizāciju. Nosūtot izstrādājumu uz RYOBI servisa centru, izstrādājuma jābūt droši iepakotam, tas nedrīkst saturēt bīstamas vielas kā degvielu, sūtiļjūm jābūt marķētam ar sūtiļja adresi un īsu ķīmes aprakstu.
5. Remonts/nomainīšana šīs garantijas ietvaros ir bezmaksas. Tas nerada garantijas perioda pagarināšanu vai jaunu garantiju. Nomainītās daļas vai instrumentu kļūst par mūsu īpašumu. Dažās valstīs piegādes vai pasta izmaksas būs jāapmaksā sūtiļtājam. Jūsu likumiskās tiesības, kas nodibinās, iegādājoties instrumentu, paliek nemainīgas.
6. Šī garantija ir spēkā Eiropas Kopienā, Šveicē, Islandē, Norvēģijā, Lichtenšteinā, Turcijā, Krievijā un Apvienotajā Karalistē. Ārpus šīm teritorijām, ūdzu, saņemtiem ar Jūsu pilnvaroto RYOBI izplatītāju, lai noteiktu, vai ir piemērojama cita garantija.

### AUTORIZĒTIS APKALPOŠANAS CENTRS

Ar jebkuru pieprasījumu vai problēmu, kas saistīta ar produktu, var vērsties Jūsu vietējā pilnvarotā servisa centrā (apmeklējiet [www.ryobitools.eu](http://www.ryobitools.eu)) vai tieši pie: Technonic Industries GmbH, Max Eyth StraÙe 10, 17364 Winnenden, Germany, ūdzu, norādiēt sērijas numuru un produkta tipu, kas norādiēt uz etiķeti.

## LT „RYOBI“ GARANTIJOS TAIKYMO SĄLYGOS

Papildant bet kokias įstatymuose numatytas perkant atpirandancias teises, ŗiam įrenginiui taikoma toliau nurodyta garantija.

1. Vartotojams suteikiama 24 mėnesių trukmės garantija nuo įrenginio įsigijimo datos. Ši data turi būti nurodyta sąskaitoje faktūroje ar kitame pirkimą įrodančiame dokumente. Šis įrenginys skirtas tik vartotojų rinkai ir asmeniniam naudojimui. Todėl garantija netaikoma, jei įrenginys naudojamas profesinams ar komerciniams reikiams.
2. Įsigijus tam tikrus sodo įrenginius (AC/DC), suteikiama galimybė pratęsti garantiją, kad ji galiojot ilgiau, nei nurodyta pirmiau, naudojantis registracija interneto svetainėje [www.ryobitools.eu](http://www.ryobitools.eu). Ar galima pratęsti įrenginio garantiją laikotarpi, aiškiai nurodoma parduotuvėse ir (arba) ant įrenginio pakuotės, ir (arba) įrenginio dokumentuose. Galutinis naudotojas turi užregistruoti savo naujai įsigytą įrenginį per 30 dienų nuo įsigijimo datos. Galutinis naudotojas gali registruotis išplėstinei garantijai savo gyvenamojoje šalyje, jei ji nurodyta internetinėje registracijos formoje, kurioje siūloma tokia galimybė. Be to, galutiniai naudotojai turi sutikti su duomenų, kuriuos reikia įvesti internetu, saugojimu ir svetainės naudojimo sąlygomis. Kaip išplėstinės garantijos įrodymą naudojamas registracijos patvirtinimo kvitas, atsiunčiamas el. paštu, ir originali sąskaita faktūra, kurioje nurodyta įsigijimo data.
3. Ši garantija apima visus garantiniu laikotarpiu aptiktus įrenginio trūkumus, atsiradusius dėl gamybos arba medžiaginių defektų nuo įsigijimo datos. Ši garantija ribojama remonto ir (arba) pakeitimu, ji neapima jokių kitų įsipareigojimų, įskaitant (bet tuo neapsiribojant) šaltinius arba antrinius nuostolius. Garantija anuliuojama, jei įrenginys buvo naudojamas netinkamai, naudojamas ne pagal naudojimo instrukciją arba netinkamai prijungtas. Ši garantija netaikoma:
  - jokiai įrenginiui padarytai žalai, kurią lėmė netinkama techninė priežiūra;
  - jokiai įrenginiui, kuris buvo keičiamas ar modifikuojamas;
  - jokiai įrenginiui, kurio originalūs identifikavimo ženklai (prekės ženklas, serijos numeris) buvo sugadinti, pakeisti arba pašalinti;
  - jokiai žalai, kurią lėmė naudojimo instrukcijos nesilaikymas;
  - jokiems CE Ženklu nepažymėtiems įrenginiams;
  - jokiai įrenginiui, kurį bandė remontuoti nekvalifikuoti asmenys arba kuris buvo remontuojamas be „Technonic Industries“ leidimo;
  - jokiai įrenginiui, kuris buvo prijungtas prie netinkamo maitinimo tinklo (netinkamos srovės, įtampos, dažnio);
  - jokiai įrenginiui, kuris buvo naudojamas su netinkamu degalų mišiniu (degalai, alyva, maitinamoji santykis);
  - jokiai žalai, kurią lėmė išorinis poveikis (cheminis, fizinis, smūgiai) arba pašalinės medžiagos;
  - dėvimosioms dalims;
  - netinkamam naudojimui, įrenginio perkrovai;
  - nepatvirtintų priedų arba dalių naudojimui;
  - Jokiai reguliariam karburatorių reguliavimui arba priežiūros ir valymo darbams
  - Komponentams (dalims ir priedams), kurie natūraliai dėviasi, įskaitant (bet tuo neapsiribojant) spyruoklines galvutes, pavarų diržus, sankabą, gyvatvorių genėtuvų ar žoliapjovių geležtes, diržus, trosinį droselį, anglišius šepetėlius, maitinimo kabelį, virbus, fetro poveržles, prikabinimo kaiščius, pūstuvo ventilatorius, pūstuvo ir siurblio vamzdžius, siurblio maišą ir diržus, kreipiamuosius strypus, pjūklo grandines, žarneles, jungiamąsias detales, purškimo antgalius, ratus, purškimo liestukus, vidines rėtes, išorines rėtes, pjovimo vielą, uždegimo žvakes, oro filtrus, dujų filtrus, mulčiavimo geležtes ir pan.
4. Prieikus atlikti priežiūros darbus, įrenginį reikia siųsti arba atvežti RYOBI įgaliojotam priežiūros centrui, nurodytam kiekvienos šalies priežiūros centrų adresų sąraše. Kai kuriose šalyse vietinis RYOBI atstovas siunčia įrenginį RYOBI priežiūros organizacijai. Siunčiant įrenginį RYOBI priežiūros centrui, reikėtų saugiai jį supakuoti pašalinant visas pavojingas medžiagas, pvz., benzina, nurodant ant pakuotės siuntėjo adresą ir pridėti trumpą gedimo aprašymą.
5. Pagal šią garantiją remontas / keitimas atliekamas nemokamai. Tokie veiksmai netaikomi garantijos pratęsimui arba naujo garantinio laikotarpio pradžia. Dalyk arba įrenginiai, kuriuos pakeičiame, tampa mūsų nuosavybe. Kai kuriose šalyse pristatymo ir pašto išlaidas turi padengti siuntėjas. Įstatymuose numatytos jūsų teisės, atsirandancias perkant įrenginį, lieka nepakeistos.
6. Ši garantija galioja Europos Bendrijos šalyse, Šveicarijoje, Islandijoje, Norvegijoje, Lichtenšteinėje, Turkiijoje, Rusijoje ir Jungtinėje Karalystėje. Jei gyvenate ne šiose šalyse, kreipkitės į įgaliojotą RYOBI atstovą ir sužinokite, ar jums taikoma kita garantija.

### ĮGALIOJOTAS TECHINIS PRIEŽIŪROS CENTRAS

Jei turite kokių nors pageidavimų ar problemų, susijusių su ŗiuo gaminiu, galite kreiptis į artimiausią įgaliojotą techninės priežiūros centrą apsilankydami [www.ryobitools.eu](http://www.ryobitools.eu) arba tiesiogiai: Technonic Industries GmbH, Max Eyth StraÙe 10, 17364 Winnenden, Germany. Nurodykite etiketėje išspausdintą serijos numerį ir gaminio tipą.

## ET RYOBI GARANTIINGIMUSED

Lisaks toote ostust tulenevatele seadusjärgsetele õigustele, kehtib tootele ka alloodud garantiaga.

1. Tarbijatele on garantiiaeg 24 kuud ja algab sellel kuupäeval, mil toode osteti. Selle kuupäeva tõestuseks on vaja arvet või mõnda teist tõendit ostu sooritamise kohta. Toode on mõeldud eratarbijate ainult isiklikuks kasutamiseks. Seega ei kehti garantii ostu kasutamisel kusetegevuses või kaubanduslikel eesmärkidel.
2. Teatud osale (vahelduvvoolu/alisvoolu) aiatööriistadele on võimalik pikendada eespool toodud garantiiaega, kasutades toote registreerimist veebilehel [www.ryobitools.eu](http://www.ryobitools.eu). Teave tööriista võimaliku pikendatud garantiiaja kohta on selgelt esile toodud poodides ja/või pakendil / ning see sisaldub toote dokumentatsioonis. Lõpptarbijaja peab registreerima oma uued tööriistad interneti teel 30 päeva jooksul pärast ostupaeva. Lõppkasutaja võib registreerida pikendatud garantiiaja saamise oma elukohariigis, kui veebis olevas registreerimismvormis on see valik lubatav. Lisaks peavad kasutajad andma oma nõusoleku veebis nõutud sisestatavate andmete säilitamiseks ning nad peavad nõustuma tingimustega. E-posti teel saadetak registreerimise kinnitus ja arve originaal, kus on näha ostu sooritamise kuupäev, on pikendatud garantiiaja tõestuseks.
3. Garantii katab kõik defektid toote garantiiaja jooksul, kui ostu kuupäeval ilmnevat talitlus- või materjalivead. Garantii piirub toote remondi ja/või väljavahetamisega ning ei sisalda muid kohustusi, muu hulgas ettenägematuid või kaudseid kahjusid. Garantii ei kehti, kui toodet ei ole kasutatud sihtotstarbelselt või kooskõlas kasutusjuhendiga või see on valesti ühendatud. Garantii ei kehti järgmistel põhjustel:
  - toode on kahjustatud vale hoolduse tõttu
  - toodet on muudetud
  - toote algupärased identifitseerimismärgised (kaubamärk, seerianumber) on rikutud, muudetud või eemaldatud
  - kahju on tekkinud kasutusjuhendi mittejärgimisest
  - tootel puudub CE-märgis
  - toodet on pöödnud remondita vastavat kvalifikatsiooni mitte omav isik või ilma firma Technronic Industries eelneva loata.
  - toode on ühendatud valesse toiteallikasse (voolutugevus, pinge, sagedus)
  - tootega kasutatud sobimatut kütusesegu (kütus, õli, õli protsent)
  - välismõjude (keemilised, füüsikalised, elektrilöögid) või võrkehade tekitatud kahju
  - tavapärase kulumine ja katkised varuosad
  - ebaõige kasutamine, tööriista ülekoormamine
  - heakskiitmata tarvikute või osade kasutamine
  - Karburaatorite korralised reguleerimistööd või hooldus- ja puhastustööd
4. Hooldeks peab toode saatma või viima RYOBI volitatud teenindusse, mille aadressi leiate järgnevast teeninduspunkti nimekirjast vastava riigi alt. Mõnedes riikides võib kohalik RYOBI edasimüüja enda kanda kohustuse saata toode RYOBI teenindusorganisatsiooni. Toote saatmisel RYOBI teenindusse peab toode olema ohutult pakitud ja ei tohi sisaldada ohtlikke aineid (nt bensiini), kirjas peab olema saatja aadress ja lisatud vea lühikirjeldus.
5. Garantii alusel tehtavad remonditööd / asendamine on tasuta. See ei pikenda garantiit kehtivusaega ega tähistu uue garantiiaja algust. Väljavahetatud osad või tööriistad kuuluvad meile. Mõnedes riikides maksab kätetoimetamis- ja postikulud saatja. Teile jäävad kehtima tööriista ostust tulenevad seadusjärgsed õigused
6. See garantii kehtib Euroopa Liidus, Šveitsis, Islandil, Norras, Liechtensteinis, Türgis, Venemaal ja Ühendkuningriigis. Väljaspool neid piirkondi võtke ühendust volitatud RYOBI edasimüüjaga, et teha kindlaks kas kehtib mõni teine garantii.

### VOLITATUD HOOLDUSKESKUS

Tootega seotud päringute või probleemide korral pöörduge kohaliku volitatud hooldekeskuse poole (vt [www.ryobitools.eu](http://www.ryobitools.eu)) või otse aadressile: Technronic Industries GmbH, Max Eyth Straße 10, 71364 Winnenden, Germany. Märkige ära sildil olev seerianumber ja toote tüüp.

## HR UVJETI PRIMJENE JAMSTVA TVRTKE RYOBI

Osim svim zakonskim pravima koja proizlaze iz kupnje, ovaj je proizvod pokriven jamstvom kako je navedeno u nastavku.

1. Jamstveno razdoblje za potrošače traje 24 mjeseca i počinje s datumom na koji je proizvod kupljen. Taj datum mora se dokumentirati računom ili drugim dokazom o kupnji. Proizvod je konstruiran i namijenjen samo za privatnu upotrebu korisnika. Stoga se jamstvo ne daje u slučaju profesionalne ili komercijalne uporabe.
2. Postoji mogućnost da se za dio asortimana vrtnih alata pokrene izmjeničnom strujom (AC/DC) produži gore navedeno jamstveno razdoblje putem registriranja na mrežnom mjestu [www.ryobitools.eu](http://www.ryobitools.eu). Uvjeti koje je potrebno zadovoljiti kako bi se produžilo jamstveno razdoblje jasno su istaknuti u prodavaonicama i / ili na pakiranju / i nalaze se unutar dokumentacije proizvoda. Krajnji korisnik mora registrirati svoje novo kupljene alate na mreži u roku od 30 dana od datuma kupnje. Krajnji korisnik može se registrirati za produženo jamstvo u svojoj zemlji boravišta ako se nalazi na popisu u mrežnom obrascu za registraciju gdje je ta opcija važeća. Nadalje, krajnji korisnici moraju dati svoj pristanak na pohranu podataka koji su potrebni za mrežni ulazak i moraju prihvatiti odredbe i uvjete. Potvrda o prijemu registracije, koja se šalje putem e-pošte, kao i originalni račun s vidljivim datumom kupnje poslužiti će kao dokaz produženog jamstva.
3. Jamstvo pokriva sve nedostatke proizvoda tijekom jamstvenog razdoblja koji su nastali zbog neispravnosti prilikom izrade ili materijala s datumom kupnje. Jamstvo je ograničeno na popravak i/ili zamjenu i ne obuhvaća nikakve druge obveze, uključujući, ali ne ograničavajući se na slučajne ili posljedične štete. Jamstvo ne vrijedi ako je proizvod bio zlorabljivan, korišten u suprotnosti s priručnikom s uputama ili ako je proizvod bio pogrobnjeno. Ovo jamstvo ne primjenjuje se na:
  - svako oštećenje proizvoda koje je rezultat nepravilnog održavanja
  - svaki proizvod koji je izmijenjen ili modifikiran
  - svaki proizvod gdje su originalne identifikacijske oznake (zaštitni znak, serijski broj) izbrisane, zamijenjene ili uklonjene
  - svako oštećenje uzrokovano nepravilnim državanjem korisničkog priručnika
  - svaki proizvod koji nije CE
  - svaki proizvod koji je pokušao popraviti nekvalificirani profesionalac ili bez prethodnog odobrenja od strane Technronic Industries
  - svaki proizvod priključen na nepravilno napajanje energijom (amperi, napon, frekvencija)
  - Svaki proizvod korišten s neodgovarajućom mješavinom (gorivo, ulje, postotak ulja)
  - svako oštećenje uzrokovano vanjskim utjecajima (kemijsko, fiziko, udar) ili stranim stvarima
  - normalno trošenje i habanje rezervnih dijelova
  - nepravilno korištenje, preopterećenje alata
  - korištenje neodobrenog dodatnog pribora ili dijelova
  - rasplinjača nakon 6 mjeseci, podešavanje rasplinjača nakon 6 mjeseci
  - komponente (dijelovi i dodatni pribor) koji su predmet prirodnog trošenja i habanja, uključujući no ne ograničavajući se na gume za otuštanje, pogonske remene, spojku, oštrice trimera za grmlje ili kosilicu, kope, salje gasa, ugljene četke, kabele za napajanje, noževe, podloške, ztike za zglobnu vezu, ventilatore puhalice, cijevi za ispuhivanje i usisavanje, vakuumske vrećice i trake, vodilice, lance pile, crijeva, priključene elemente, mlaznice za raspršivanje, kotače, koplja za raspršivanje, unutarnje kolute, vanjske kalame, flaksove, svjećice, filtre za zrak, filtre za plin, oštrice za usitnjavanje itd.
4. Za potrebe servisiranja, proizvod se mora poslati ili odnijeti u ovlaštenu servisnu postaju tvrtke RYOBI navedenu na sljedećem popisu s adresama servisnih postaja u svakoj zemlji. U nekim zemljama, vaš lokalni RYOBI zastupnik obvezuje se da će poslati proizvod u servisnu organizaciju tvrtke RYOBI. Kada se proizvod šalje u neku servisnu postaju tvrtke RYOBI, proizvod se mora sigurno pakirati bez ijednog od opasnih sadržaja kao što je benzin, na njemu mora pisati adresa pošiljatelja i mora biti popraćen kratkim opisom kvara.
5. Popravak / zamjena pod ovim jamstvom su besplatni. Oni ne predstavljaju produženje ili novi početak jamstvenog razdoblja. Zamijenjeni dijelovi ili alati postaju naše vlasništvo. U nekim državama troškove isporuke ili poštarinu mora platiti pošiljatelj. Vaša zakonska prava koja proizlaze iz kupnje alata ostaju nepromijenjena
6. Ovo jamstvo je valjano u zemljama Europske zajednice, Švicarskoj, Islandu, Norveškoj, Lihtenštajnu, Turskoj, Rusiji i Ujedinjenoj Kraljevini. Izvan tih područja vas molimo da se obratite svojem ovlaštenom zastupniku tvrtke RYOBI kako biste utvrdili primjenjuje li se drugo jamstvo.

### OVLAŠTENI SERVISNI CENTAR

Za svaki zahtjev ili problem s proizvodom možete se obratiti vašim ovlaštenim servisnim centrima (posjetite adresu [www.ryobitools.eu](http://www.ryobitools.eu)) ili izravno na: Technronic Industries GmbH, Max Eyth Straße 10, 71364 Winnenden, Germany. Navedite serijski broj i vrstu proizvoda ovisno na naljepnici.

## SL POGOJI ZA VELJAVNOST GARANCIJE RYOBI

Poleg morebitnih zakonsko določenih pravic, ki izvirajo iz nakupa, za ta izdelek velja spodaj navedena garancija.

- Garancijsko obdobje je za potrošnike 24 mesecev in začne teči z dnem nakupa izdelka. Ta datum mora biti dokumentiran z računom ali drugim dokazilom o nakupu. Izdelek je zasnovan in namenjen izključno za potrošniško zasebno uporabo. V primeru strokovne oziroma komercialne uporabe izdelka garancija ne velja.
- Obstaja možnost podaljšanja garancije na del naših ponudbe vrtnih orodij (AC/DC) prek obdobja garancije, opisanega zgoraj, s pomočjo registracije na spletnem mestu [www.ryobitools.eu](http://www.ryobitools.eu). Ustreznost orodij za podaljšanje garancijskega obdobja je jasno prikazana v trgovinah in/ali na embalaži oziroma je navedena v dokumentaciji izdelka. Končni uporabnik mora registrirati svoje novo orodje na spletu v 30 dneh po datumu nakupa. Končni uporabnik lahko registrira podaljšano garancijo v svoji državi bivanja, če je na obrazcu spletne registracije navedeno, da ta možnost velja za njegovo državo. Poleg tega morajo končni uporabniki podati svoje soglasje za shranjevanje podatkov, ki so potrebni za spletni dostop in morajo sprejeti pogoje in določila uporabe spletnega mesta. Potrdilo o registraciji, ki ga pošljemo prek e-pošte, in originalni račun, ki prikazuje datum nakupa, služita kot dokazilo o podaljšani garanciji.
- Garancija krije vse okvare izdelka, do katerih pride v garancijskem obdobju zaradi napak v izdelavi ali materialu, ki so bile prisotne ob datumu nakupa. Garancija je omejena na popravilo in/ali zamenjavo in ne vključuje nobenih drugih obveznosti, med drugim vključno z naključno ali posledično škodo. Garancija ne velja, če je bil izdelek napačno uporabljen, uporabljen v nasprotju z navodili iz priložnice za uporabo ali če ni bil pravilno povezan. Ta garancija ne velja za:
  - škodo na izdelku, ki je posledica neustreznega vzdrževanja
  - spremenjen ali prilagojen izdelek
  - izdelek, katerega originalna identifikacijska oznaka (blagovna znamka, serijska številka) je bil poškodovan, spremenjen ali odstranjen
  - škodo, ki je posledica neupoštevanja navodil iz priložnice za uporabo
  - izdelek, ki nima oznake CE
  - izdelek, ki ga je poskušal popraviti nekvalificiran strokovnjak ali ki je bil popravljen brez predhodne odobritve s strani družbe Technonic Industries.
  - izdelek, ki je bil povezan na neustrezno napajanje (amperska moč, napetost, frekvenca)
  - izdelek, ki je bil uporabljen z neustrezno mešanico goriva (gorivo, olje, odstotek olja)
  - škodo, ki jo povzročijo zunanji vplivi (kemični, fizični, mehanski) ali tuje snovi
  - rezervne dele, ki so podvrženi običajni uporabi
  - neprimerno uporabo, preobremenitev orodja
  - uporabo neodobrenih dodatkov ali delov
  - Vsako redno prilagajanje ali vzdrževalno čiščenje uplinjačev
  - Komponente (sestavni in rezervni deli), ki so podvrženi običajni obrabi, med drugim vključno z gumbi odbijaka, pogonskimi jermeni, sklopko, rezili obrezovalnikov za žive meje ali kosilnic za trato, nosilnimi pasovi, kablji, dušilnimi ventili, oglikovimi krtačami, napajalnimi kablji, zobci, tesnilni iz filca, vezilni zatčiči, ventilatorji pihalnika, cevni pihalnika in sesalnika, vrečko in pasovi sesalnika, vodilnimi palicami, verigami motorne žage, cevmi, priključki, razpršilnimi šobami, kolesi, razpršilnimi palicami, notranjimi kolesci, zunanji motki, rezalnimi vrvicami, vžigalnimi svečkami, zračnimi filtri, plinskimi filtri, rezili za mulčenje itd.
- Za servisiranje morate izdelek poslati ali prinesiti v pooblaščen servisni center družbe RYOBI, ki je naveden za vsako državo na naslednjem seznamu naslovov servisnih centrov. V nekaterih državah se vaš lokalni posrednik družbe RYOBI obveže, da bo poslal izdelek na servis družbe RYOBI. Ko pošiljate izdelek v servisni center družbe RYOBI, mora biti izdelek varno zapakiran in ne sme vsebovati nobenih nevarnih snovi, kot je npr. bencin, opremljen pa mora biti z naslovom pošiljatelja in vsebovati kratek opis napake.
- Popravilo/zamenjava v skladu s to garancijo sta brezplačni storitvi. To pa ne predstavlja podaljšanja ali ponovnega začetka garancijskega obdobja. Zamenjani deli ali orodja postanejo naša last. V nekaterih državah stroške dostave ali poštnino plača pošiljatelj. Vaše zakonsko določene pravice, ki izvirajo iz nakupa orodja, ostajajo nespremenjene.
- Ta garancija velja v Evropski skupnosti, Švici, na Islandiji, Norveškem, v Lichtenštajnu, Turčiji, Rusiji in Združenem kraljestvu. Izven teh območij se obrnite na svojega pooblaščenega posrednika izdelkov RYOBI, dealer ki vam bo povedal, ali velja kakšna druga garancija.

### POOBLAŠČEN SERVISNI CENTER

V primeru zahtev ali težav v zvezi z izdelkom se lahko obrnete na lokalne pooblaščené servise centre (obiščite [www.ryobitools.eu](http://www.ryobitools.eu)) ali neposredno na: Technonic Industries GmbH, Max Eyth Straße 10, 71364 Winnenden, Germany. Prosimo, da navedete serijsko številko in tip izdelka, ki sta natisnjena na oznaki.

## SK ZÁRUČNÉ PODMIENKY RYOBI

Na tento výrobok sa okrem všetkých zákonných práv, vyplývajúcich z nákupu, vzťahuje záruka v nasledovnom znení.

- Záručná doba pre spotrebiteľa je 24 mesiacov a začína plynúť odo dňa, kedy bol výrobok zakúpený. Tento dátum musí byť doložený faktúrou alebo iným dokladom o zakúpení. Výrobok je navrhnutý a určený pre spotrebiteľov a len na súkromné používanie. Preto sa záruka sa neposkytuje v prípade použitia na profesionálne a komerčné účely.
- V prípade záhradného náradia (na striedavý/jednosmerný prúd AC/DC), existuje možnosť predĺženia záručnej doby oproti záručnej dobe, uvedenej vyššie, s využitím on-line registrácie na webovej stránke [www.ryobitools.eu](http://www.ryobitools.eu). Označenie na náradí o nároku na predĺženie záručnej doby je zreteľne uvedené v obchodoch a/alebo na obale a je uvedené v dokumentácii k výrobku. Koncový používateľ musí zaregistrovať svoje novozískané náradie on-line do 30 dní odo dňa nákupu. Koncový používateľ sa môže zaregistrovať na predĺženie záruky v krajine svojej bydliska, ak je v on-line registračnom formulári uvedená táto možnosť. Ďalej musia koncoví používatelia ešte dať svoj súhlas k uchovávaniu údajov, ktoré je potrebné zadať on-line a musia súhlasiť s podmienkami. Potvrdenie o prijatí registrácie, ktorú je zasielateľ e-mailom a original faktúry, v ktorej je uvedený dátum nákupu, slúžia ako dôkaz o predĺženej záruke.
- Záruka sa vzťahuje na všetky poruchy výrobku v záručnej dobe, spôsobené chybami materiálů alebo spracovaním k dátumu nákupu. Táto záruka je omedzená na opravu a/alebo výmenu a nezahŕňažiadne ďalšie povinnosti, vrátane, okrem iných, náhodné alebo následné škody. Táto záruka je neplátná, ak bol výrobok nesprávne používaný, bol používaný v rozpore s návodom na použitie alebo bol nesprávne zapojený. Táto záruka sa nevzťahuje na:
  - akékoľvek poškodenie výrobku, ktoré bolo spôsobené nesprávnou obsluhou
  - akýkoľvek výrobok, ktorý bol zmenený alebo upravený
  - akýkoľvek výrobok, na ktorom bolo poškodené, upravené alebo odstránené identifikačné označenie (ochranná známka, výrobné číslo)
  - akékoľvek škody, spôsobené nedodržaním návodu na obsluhu
  - akýkoľvek výrobok, ktorý neobsahuje označenie CE
  - akýkoľvek výrobok, ktorý sa pokúšal opravovať nekvalifikovaný odborník alebo bol opravovaný bez predchádzajúceho súhlasu so stranou spoločnosti Technonic Industries.
  - akýkoľvek výrobok, pripojený k nesprávnemu napájaciemu zdroju (ampéry, napätie, frekvencia)
  - akýkoľvek výrobok, používaný s nesprávnou palivovou zmesou (palivo, olej, percento oleja)
  - akékoľvek poškodenia, spôsobené vonkajšími vplyvmi (chemickými, fyzikálnymi, nárazmi) alebo cudzorodými látkami
  - bežné opotrebovanie náhradných dielov
  - nevhodné používanie, preťažovanie nástroja
  - používanie neschváleného príslušenstva a dielov
  - Akékoľvek pravidelné úpravy alebo čistenie karburátorov, vykonávaných vrámi údržby
  - Súčiastky (diely a príslušenstvo), ktoré podliehajú prirodzenému opotrebeniu, okrem iných, otočné gombíky, hnacie remene, spojka, nože na nožnice na živý plot alebo kosačky na trávu, popruhy, lanko škrtacej klapky, uhličky, napájací kábel, radličky, plsténé podložky, závesné klice, lopatky fúkačov, trubice vysávača a fúkača, vak do vysávača a popruhy, vodiace lišty, retazové pily, hadice, spojovacie armatúry, trysky, kolesá, striekacie rúrky, vnútorné cievy, vonkajšie cievy, žacie lanká, zapalovacie sviečky, vzduchové filtre, benzínové filtre, mulčovacie nože atď.
- Na opravu musí byť výrobok odoslaný alebo doručený do autorizovaného servisného strediska RYOBI, udešeného pre každú krajinu v nasledovnom zozname adries servisných stredísk. V niektorých krajinách miestny zástupca RYOBI preberá na seba záväzok zoslať tovar do servisnej organizácie RYOBI. Pri odoslaní výrobku do servisného strediska RYOBI je potrebné výrobok bezpečne zabaliť bez akéhokoľvek nebezpečného obsahu, ako je benzín, s vyznačením adresy odosielaťa, s krátkym popisom poruchy.
- Oprava/výmena je vrámi tejto záruky bezplatná. Nezmenená to predĺženie záruky alebo spustenie novej záručnej doby. Vymenené diely alebo nástroje sa stávajú našim vlastníctvom. V niektorých krajinách náklady na odoslanie alebo poštovné musí zaplatiť odosielať. Vaše zákonné práva, vyplývajúce z nákupu náradia, zostávajú nedotknuté.
- Táto záruka je plátná v Európskych spoločenstvách, Švajčiarsku, Islande, Nórsku, Lichtenštajnsku, Turecku, Rusku a Spojenom kráľovstve. Ak sa nachádzate mimo týchto oblastí, obráťte sa na autorizovaného predajcu RYOBI na určenie, či sa dá uplatniť iná záruka.

### AUTORIZOVANÉ SERVISNÉ CENTRUM

Všetky žiadosti alebo problémy s výrobkom možno adresovať miestnym autorizovaným servisným strediskám (navštívte [www.ryobitools.eu](http://www.ryobitools.eu)) alebo priamo na: Technonic Industries GmbH, Max Eyth Straße 10, 71364 Winnenden, Germany. Uvedte sériové číslo a typ výrobku uvedené na etike.



## BG УСЛОВИЯ ЗА ВАЛИДНОСТ НА ГАРАНЦИЯТА НА RYOBI

В допълнение към законоустановените права, произтичащи от покупката, този продукт е обхванат от гаранция, както е изложено по-долу.

- Гаранционният срок е 24 месеца за клиенти и започва да тече от деня на закупуване на продукта. Тази дата трябва да се докаже с фактура или друго доказателство за покупка. Продуктът е изработен и предназначен само за потребителска и лична употреба. Следователно не се дава гаранция в случай на използване от професионалисти или с търговска цел.
- Съществува възможност за удължаване на гаранционния срок за част от диапазона на гаранцията на градински инструменти (AC/DC) след изтичането на описания тук чрез регистрация на уеб сайта [www.ryobitools.eu](http://www.ryobitools.eu). В магазините или на опаковката или вътре в документацията на продукта е показано ясно дали инструментът отговаря на условията за такова удължаване на гаранционния срок. Крайният потребител трябва да регистрира своите новопридобити инструменти онлайн в рамките на 30 дни от датата на покупка. Крайният потребител може да се регистрира за удължена гаранция в държавата си на пребиваване, ако е посочена във формуляра за онлайн регистрация като място, където тази опция е валидна. Освен това крайните потребители трябва да дадат съгласието си за съхранение на данните, които са задължителни за ползване онлайн, и трябва да приемат общите условия. Получено потвърждение за регистрация, изпратено по електронна поща, и оригиналната фактура, показваща датата на покупка, ще служат като доказателство за удължената гаранция.
- Гаранцията покрива всички дефекти на продукта по време на гаранционния срок, които се дължат на проблеми в изработката или материалите към момента на покупката. Гаранцията е ограничена до ремонт или замяна и не включва други задължения, включително, но не само, случайни или косвени щети. Гаранцията е невалидна, ако продуктът е използван неправилно или в противоречие с ръководството с инструкции, както и ако е свързан неправилно. Тази гаранция не важи за:
  - щети по продукта в резултат на неправилна профилактика
  - продукти, които са били изменени или модифицирани
  - продукт, при който оригиналните маркировки за идентификация (търговска марка, сериен номер) са изтрити, променени или премахнати
  - повреда, причинена от неспазване на ръководството с инструкции
  - продукт без CE маркировка
  - продукт, за който е направен опит за ремонт от некавалифициран специалист или без предварително разрешение от Techntronics Industries.
  - продукт, свързан към неподходящо електрозахранване (ампераж, волтаж, честота)
  - продукт, използван с неподходяща горивна смес (гориво, масло, процент масло)
  - щети, причинени от външни влияния (химични, физични, удари) или чужди вещества
  - нормално износване на резервни части
  - неподходяща употреба, претоварване на инструмента
  - използване на неподобрени аксесоари или части
  - Всякакви периодични настройки или почистване с цел извършване на поддръжка на карбуратори
  - Компоненти (част и аксесоари), подложени на естествено износване, включително, но не само, колчета за тласкане, задвижващи ремъци, съединители, остриета на ножици за жив плет или косачки за трева, презарима, кабелни дротел, карбонови четки, захранващ кабел, остриета, филцови шайби, осигурителни щифтове, вентилатори на уреди за обдухване, тръби за обдухване и всмукване, торба за отпадъци и ремъци, водещи шини, вериги за триони, маркучи, фитинги на конектори, дюзи, колепа, пръскалки, вътрешни и външни макари, режещо влакно, запалителни свещи, въздушни филтри, горивни филтри, остриета за мулчиране и др.
- За обслужване продуктът трябва да се изпрати или занесе на оторизиран сервиз на RYOBI, посочен за всяка държава в следния списък с адреси на сервиси. В някои държави местният търговец на RYOBI поема отговорността да изпрати продукта до сервизен център на RYOBI. При изпращане на продукт до сервиз на RYOBI той трябва да е опакован безопасно без опасно съдържание, напр. бензин, да е маркиран с адреса на подателя и придружен от кратко описание на повредата.
- Ремонтът/замяната по силата на тази гаранция са безплатни. Те не водят до удължаване или подновяване на гаранционния срок. Сменените части или инструменти стават наша собственост. В някои държави таксите за доставка или изпращане трябва да се платят от подателя. Законоустановените ви права, произтичащи от закупуването на инструмента, остават незаеснати
- Тази гаранция е валидна в Европейската общност, Швейцария, Испания, Норвегия, Лихтенщайн, Турция и Обединеното кралство. Извън тези области се свържете с упълномощения търговец на RYOBI, за да се установи дали е приложима друга гаранция.

### УПЪЛНОМОЩЕН СЕРВИЗЕН ЦЕНТЪР

Всички заявки или проблеми, свързани с продукта, могат да бъдат отправяни към местните упълномощени сервизни центрове (посетете [www.ryobitools.eu](http://www.ryobitools.eu)) или директно до: Techntronics Industries GmbH, Max Eyth Straße 10, 71364 Winnenden, Germany. Посочете сериен номер и типа на продукта, отпечатани върху етикета.

## UK ГАРАНТИЙНИ УМОВИ ДЛЯ RYOBI

Окрім загалом установлених законом прав, що стосуються покупки, цей пристрій покривається гарантією, що зазначено нижче.

- Гарантійний період для споживачів складає 24 місяці і починається з моменту придбання цього пристрою. Ця дата повинна бути задокументована у гарантійному талоні або чеку, що підтверджує покупку. Цей пристрій був розроблений і призначений тільки для споживача та приватного використання. У разі професійного або комерційного використання цього пристрою, він втрачає гарантію.
- Існує можливість продовжити гарантійний період, понад період описаний вище, для частини лінійки садових інструментів (перемінного/постійного струму) за допомогою реєстрації на сайті [www.ryobitools.eu](http://www.ryobitools.eu). Пристрої, які мають право на подовження гарантійного періоду, мають чіткі позначки щодо цього в магазинах і/або на упаковці / та документі до пристрою. Кінцевий користувач повинен зареєструвати його/її новопридбаний пристрій онлайн протягом 30 днів з дати покупки. Кінцевий користувач може зареєструватися для подовження гарантійного періоду в своїй країні постійного перебування, якщо вона є доступною у відповідній опції онлайн форми реєстрації. Крім того, кінцеві користувачі повинні дати свою згоду на зберігання даних, які необхідні для введення онлайн, а також вони повинні прийняти правила та умови. Отримання підтвердження реєстрації, яке відправляється на адресу електронної пошти, та оригінал гарантійного талона і зазначеною датою покупки буде слугувати доказом подовженої гарантії.
- Гарантія поширюється на всі дефекти пристрою протягом гарантійного терміну щодо недотримання стандартів виробництва або матеріалів на дату придбання. Гарантія обмежується ремонтом та/або заміною, та не включає в себе будь-яких інших зобов'язань, в тому числі, але не обмежена у разі випадкових та подальших пошкоджень. Гарантія не діє, якщо пристрій використовувався неналежним чином, всупереч інструкції з експлуатації або був неправильно підключений до мережі. Дана гарантія не поширюється на:
  - пристрої, що були пошкоджені у результаті неправильного технічного обслуговування;
  - пристрої, що були видозмінені або модифіковані;
  - пристрої, оригінальне ідентифікаційне (товарний знак, серійний номер) маркування яких було пошкоджене, змінене або видалено;
  - будь-які пошкодження, заподіяні недотриманням інструкції з експлуатації;
  - пристрої, що не мають маркування CE;
  - пристрої, що були відремонтовані некаліфікованим фахівцем або за відсутності попереднього дозволу від Techntronics Industries;
  - пристрої, підключені до невідповідного джерела живлення (сила току, напруга, частота);
  - пристрої, що використовувалися із невідповідною паливною сумішшю (паливом, оливою, відсотковою часткою оливи);
  - будь-які пошкодження спричинені зовнішнім впливом (хімічним, фізичним, стрибком напруги) або сторонніми речовинами;
  - нормальну амортизацію запасних частин;
  - невідповідне використання, переваження пристрою;
  - використання невідтверджених запасних частин або аксесуарів;
  - Будь-які періодичні коригування або технічне очищення карбураторів
  - Компоненти (частини та аксесуари) з урахуванням нормального зношування, враховуючи але без обмеження на імпульсні кнопки, ремені приводу, зчеплення, леза कुшоріза або газонокосарки, ремені, троси досельного клапану, вугільні щітки, шпунти живлення, зубці, фетрові підкладки, зчіпні штири, вентилатори повітрядувки, труби пілооса та повітрядувки, вакуумні мішки та накладки, напрямні, ланцюги, гнучкі шланги, з'єднувальні фітинги, розпилювальні насадки, колеса, жорсткі сопла, внутрішні котушки, зовнішні золотники, ріжучі волосіння, свічки запалення, повітряні фільтри, протигазові фільтри, мульчувальні леза, т.д.
- Для обслуговування, пристрій має бути відправлений або поданий до одного з авторизованих сервісних центрів RYOBI, які перелічені для кожної країни у наступному переліку адрес сервісних центрів. У деяких країнах місцевий дилер RYOBI зобов'язується відправити пристрій до сервісного центру RYOBI. При відправленні пристрою до сервісного центру RYOBI, пристрій має бути надійно упакований без будь-якого небезпечного вмісту, наприклад бензину, з позначеною адресою відправника та супроводжується коротким описом несправності.
- Ремонт / заміна відповідно до цієї гарантії здійснюється безкоштовно. Це не є основою для подовження або початку нового гарантійного періоду. Замінні частини або прилади переходять до власності компанії. У деяких країнах вартість доставки або поштові витрати повинні бути сплачені відправником. Загально встановлені права покупця на пристрій залишаються незмінними
- Ця гарантія є дійсною у країнах, членах ЄС, Швейцарії, Іспанії, Норвегії, Лихтенштейні, Туреччині, Росії та Великій Британії. За межами цих зон, будь ласка, зверніться до офіційного дилера RYOBI, щоб визначити, чи застосовується інша гарантія.

### АВТОРИЗОВАНІ СЕРВІСНІ ЦЕНТРИ

З будь-яких питань або проблем, пов'язаних з пристроєм, ви можете звернутися до місцевих авторизованих сервісних центрів (відвідайте [www.ryobitools.eu](http://www.ryobitools.eu)) або напрямку до: Techntronics Industries GmbH, Max Eyth Straße 10, 71364 Winnenden, Germany. Будь ласка, вкажіть серійний номер та тип продукту, вказані на етикетці.



## TR RYOBI GARANTİ UYGULAMA KOŞULLARI

Alımdan kaynaklanan yasal haklara ek olarak, ürün aşağıda belirtilen garanti kapsamındadır.

1. Tüketiciler için 24 ay olan garanti süresi, ürünün satın alındığı tarihte başlar. Bu tarihin bir fatura ya da alım kanıtıyla belgelenmesi gerekir. Ürün sadece tüketim ve özel kullanım için geliştirilmiş ve adanmıştır. Bu nedenle, profesyonel ya da ticari kullanım halinde garanti kapsamı sağlanmaz.
2. Bahçe aletlerinin bir bölümü (AC/DC) için [www.ryobitools.eu](http://www.ryobitools.eu) sayfasındaki kayıt işlemini kullanarak garantinin belirtilen sürenin ötesine uzatma imkanı mevcuttur. Aletlerin garanti süresinin uzatılmasına uygun olup olmadığı mağazalarda ve / veya ambalajda açıkça belirtilmiş olup, ürün dokümantasyonunda gösterilir. Son kullanıcının yeni aldığı aletleri satın alma tarihini izleyen 30 gün içinde kaydettirmesi gerekir. Son kullanıcı ikamet ettiği ülkede, bu seçeneğin geçerli olduğu çevrimiçi kayıt formunda belirtilmişse, uzatılmış garanti süresi için kayıt yaptırabilir. Dahası, son kullanıcıların çevrimiçi giriş için gerekli verilerin kaydedilmesine izin vermeli ve hüküm ve koşulları kabul etmelidir. E-posta ile gönderilen kayıt teyit makbuzu ve alım tarihini gösteren orijinal fatura uzatılmış garantinin kanıtı olarak değerlendirilir.
3. Garanti, ürünün alım tarihindeki işçilik ve malzeme kusurları nedeniyle garanti süresi içinde oluşacak bütün arızalarını kapsar. Bu garanti onarım ve değiştirmeyle sınırlı olup, tesadüfi ya da dolaylı hasarlar da dahil, ancak bunlarla kısıtlı olmayan başka hiçbir taahhüdü kapsamaz. Garanti, ürünün kötü, kullanıcı kılavuzuna aykırı kullanılmış ya da yanlış bağlanmış olması halinde geçerli değildir. Bu garanti aşağıdakileri kapsamaz:
  - üründe, yanlış bakımdan kaynaklanan herhangi bir hasar
  - değiştirilmiş ya da modifiye edilmiş herhangi bir ürün
  - orijinal tanıtmı işaretleri (ticari marka, seri numarası) silinmiş, değiştirilmiş ya da kaldırılmış herhangi bir ürün
  - kullanma kılavuzuna uymamaktan kaynaklanmış herhangi bir hasar
  - herhangi bir AT dışı ürün
  - kalifiye olmayan personel tarafından ya da önceden Techtronic Industries onayı alınmadan onarılmış herhangi bir ürün.
  - uygunsuz güç kaynağına (amper, voltaj, frekans) bağlanmış herhangi bir ürün
  - uygunsuz bir yakıt karışımıyla (yakıt, yağ, yap yüzdesi) kullanılmış herhangi bir ürün
  - harici etkenlerden (kimyasal, fiziksel, darbe) veya yabancı cisimlerden kaynaklanan her türlü hasar
  - normal aşınır ve yıpranır aksam
  - uygunsuz kullanım, aletin aşırı yüklenmesi
  - onaysız aksesuar veya parça kullanımı
  - Karbüratörlere uygulanacak her türlü periyodik ayar, bakım veya temizlik
  - Darbe Düğmeleri, Tahrik Kayışları, Kavrama, Çit Budama ya da Çim Bıçme Makinelerinin Bıçakları, Kayış Koşumlar, Kablolu Gaz, Kömür Fırçalar, Güç Kablo, Dişler, Keçe Rondelalar, Bağlantı Pimleri, Üfleyci Pervaneleri, Üfleyci ve Vakum Boruları, Vakum Torbası ve Kayışları, Kılavuz Çubuklar, Zincir Testere, Hortumlar, Konektör bağlantıları, Püskürtme Memeleri, Çarklar, Püskürtme Çubukları, Dahili Makaralar, Harici Makaralar, Kesme Telleri, Bujiler, Hava Filtreleri, Gaz Filtreleri, Malçlama Bıçakları vb. gibi parçaları kapsayan, ancak bunlarla sınırlı olmayan, aşınma ve yıpranmaya tabi bileşenler (aksam ve aksesuarlar).
4. Ürünün servis için her ülkede aşağıdaki servis istasyonları adres listesinde yer alan yetkili bir RYOBI servis istasyonuna gönderilmesi ya götürülmesi gereklidir. Bazı ülkelerde, yerel RYOBI distribütörünüz ürünü RYOBI servis teşkilatına göndermeyi üstlenir. Bir ürün bir RYOBI servis istasyonuna gönderilirken, ürünün güvenli bir biçimde ambalajlanması, benzin gibi tehlikeli maddeler içermemesi, gönderenin adresini taşıması ve arızanın kısa bir açıklamasını içermesi gerekir.
5. Bu garanti kapsamında yapılacak onarım / değişiklik ücretsizdir. Garanti süresinin uzatılması ya da yeniden başlatılması anlamına gelmez. Değiştirilmiş parçalar veya aletler bize ait olur. Bazı ülkelerde teslimat ücretleri veya posta giderlerinin gönderici tarafından ödenmesi gerekir. Alımdan kaynaklanan yasal haklarınız etkilenmez
6. Bu garanti Avrupa Birliği'nde, İsviçre, İzlanda, Norveç, Lihtenştayn, Türkiye, Rusya ve Birleşik Krallık'ta geçerlidir. Bu alanların dışında, başka bir garantinin geçerli olup olmadığını belirlemek için lütfen yetkili RYOBI distribütörünüzle irtibata geçin.

### YETKİLİ SERVİS MERKEZİ

Ürünle ilgili her türlü talep ve sorun yerel yetkili servis merkezlerine ([www.ryobitools.eu](http://www.ryobitools.eu) adresini ziyaret edin) veya doğrudan aşağıdaki şekilde iletebilirsiniz: Techtronic Industries GmbH, Max Eyth Straße 10, 71364 Winnenden, Germany. Lütfen etikette yer alan seri numarasını ve ürün tipini belirtin.

## EN EC DECLARATION OF CONFORMITY

### Cordless shredder

Brand: RYOBI | Manufacturer<sup>1</sup> | Model number<sup>2</sup> | Serial number range<sup>3</sup>

We declare as the manufacturer under our sole responsibility that the product mentioned below fulfills all the relevant provisions of the following European Directives, European Regulations and harmonised standards<sup>4</sup>

Measured sound power level..... 91,1 dB(A)

Guaranteed sound power level..... 93 dB(A)

Conformity assessment method to Annex V Directive 2000/14/EC amended by 2005/88/EC.

Authorised to compile the technical file.<sup>5</sup>

## FR DÉCLARATION CE DE CONFORMITÉ

### Broyeur sans fil

Marque: RYOBI | Fabricant<sup>1</sup> | Numéro de modèle<sup>2</sup> | Étendue des numéros de série<sup>3</sup>

Nous déclarons sous notre entière responsabilité que le produit mentionné ci-dessous remplit toutes les dispositions pertinentes des directives et réglementations européennes suivantes, ainsi que des normes harmonisées ci-après<sup>4</sup>

Niveau de puissance sonore mesuré..... 91,1 dB(A)

Niveau de puissance sonore garanti..... 93 dB(A)

Méthode d'évaluation de conformité de l'annexe V Directive 2000/14/EC modifiée 2005/88/EC.

Autorisé à rédiger le dossier technique.<sup>5</sup>

## DE EG-KONFORMITÄTSERLÄRUNG

### Akku-Häcksler

Marke: RYOBI | Hersteller<sup>1</sup> | Modellnummer<sup>2</sup> | Seriennummernbereich<sup>3</sup>

Wir erklären in alleiniger Verantwortung, dass das nachstehend erwähnte Produkt allen einschlägigen Bestimmungen der folgenden EU-Richtlinien, EU-Vorschriften und harmonisierten Normen entspricht<sup>4</sup>

Gemessener Schalleistungspegel..... 91,1 dB(A)

Garantierter Schalleistungspegel..... 93 dB(A)

Konformitätsbeurteilungsmethode zu Anhang V Richtlinie 2000/14/EC wie durch 2005/88/EC.

Autorisiert die technische Datei zu erstellen.<sup>5</sup>

## ES DECLARACIÓN CE DE CONFORMIDAD

### Trituradora inalámbrica

Marca: RYOBI | Fabricante<sup>1</sup> | Número de modelo<sup>2</sup> | Intervalo del número de serie<sup>3</sup>

Declaramos, bajo nuestra exclusiva responsabilidad, que el producto mencionado a continuación cumple con todas las disposiciones relevantes de las siguientes directivas, normas armonizadas y reglamentos europeos<sup>4</sup>

Nivel de potencia acústica medido..... 91,1 dB(A)

Nivel de potencia acústica garantizado..... 93 dB(A)

Método de evaluación de conformidad con el anexo V Directiva 2000/14/EC modificada por la 2005/88/EC.

Autorizado para elaborar la ficha técnica.<sup>5</sup>

## IT DICHIARAZIONE CE DI CONFORMITÀ

### Trituratore senza fili

Marca: RYOBI | Ditta produttrice<sup>1</sup> | Numero modello<sup>2</sup> | Gamma numero seriale<sup>3</sup>

Dichiariamo sotto la nostra unica responsabilità che il prodotto descritto in basso soddisfa tutte le disposizioni delle direttive europee e che sono state osservate le norme seguenti<sup>4</sup>

Livello di potenza acustica misurato..... 91,1 dB(A)

Livello di potenza sonora garantita..... 93 dB(A)

Metodo di valutazione sulla conformità all'allegato V Direttiva 2000/14/EC modificata con la 2005/88/EC.

Autorizzato per compilare il file tecnico.<sup>5</sup>

## NL EG-VERKLARING VAN OVEREENSTEMMING

### Snoerloze häkselaar

Merk: RYOBI | Fabrikant<sup>1</sup> | Modelnummer<sup>2</sup> | Seriennummerbereik<sup>3</sup>

Wij verklaren naar onze eigen verantwoordelijkheid, dat het hieronder genoemde product voldoet aan alle relevante bepalingen van de volgende Europese richtlijnen, Europese verordeningen en geharmoniseerde normen<sup>4</sup>

Gemeten geluidsniveau..... 91,1 dB(A)

Gegarandeerd geluidsniveau..... 93 dB(A)

Evaluatiemethode conformiteit volgens bijlage V Richtlijn 2000/14/EC gewijzigd door 2005/88/EC.

Afgevaardigde voor het samenstellen van de technische fiche.<sup>5</sup>

## PT DECLARAÇÃO CE DE CONFORMIDADE

### Trituradora sem fios

Marca: RYOBI | Fabricante<sup>1</sup> | Número do modelo<sup>2</sup> | Intervalo do número de série<sup>3</sup>

Declaramos sob nossa exclusiva responsabilidade que o produto mencionado abaixo cumpre todas as disposições aplicáveis das seguintes diretivas, regulamentos e normas harmonizadas da União Europeia<sup>4</sup>

Nível de potência sonora medido..... 91,1 dB(A)

Nível de potência sonora garantido..... 93 dB(A)

Método de avaliação de conformidade para o anexo V Directiva 2000/14/EC alterada por 2005/88/EC.

Autorizado para compilar o ficheiro técnico.<sup>5</sup>

## DA EF-OVERENSSTEMMELSESEKVLÆRING

### Trådløs kompostkværn

Brand: RYOBI | Producent<sup>1</sup> | Modelnummer<sup>2</sup> | Serienummerområde<sup>3</sup>

Vi erklærer under eget ansvar, at produktet nævnt nedenfor opfylder alle de relevante forskrifter i de følgende europæiske direktiver, europæiske forordninger og harmoniserede standarder<sup>4</sup>

Målt støjniveau..... 91,1 dB(A)

Garanteret støjniveau..... 93 dB(A)

Overensstemmelsesvurderingsmetode til bilag V Direktiv 2000/14/EC ændret ved 2005/88/EC.

Bemyndiget til at udarbejde det tekniske kartotek.<sup>5</sup>

## SV EG-FÖRSÄKRAN ÖVERENSSTÄMMELSE

### Sladdlös kompostkvärn

Marke: RYOBI | Tillverkare<sup>1</sup> | Modellnummer<sup>2</sup> | Serienummerintervall<sup>3</sup>

Vi förklarar under eget ansvar att den produkt som nämns nedan uppfyller alla relevanta föreskrifter i följande europeiska direktiv, europeiska förordningar och harmoniserade standarder<sup>4</sup>

Uppmått ljudeffektsnivå..... 91,1 dB(A)

Garanterad ljudeffektsnivå..... 93 dB(A)

Konformitetsbedömning gjord enligt metod i V Direktiv 2000/14/EC samt tillägen i 2005/88/EC.

Godkänd att sammanställa den tekniska filen.<sup>5</sup>

## FI EY-VAATIMUSTENMUKAISUSVAKUUTUS

### Johdoton silppuri

Tuotemerkki: RYOBI | Valmistaja<sup>1</sup> | Mallinumero<sup>2</sup> | Sarjanumeroalue<sup>3</sup>

Vakuutamme alla mainittuun tuotteen olevan seuraavien eurooppalaisten direktiivien, asetusten ja yhdenmukaistettujen standardien säännösten mukainen<sup>4</sup>

Mittattu ääniteho..... 91,1 dB(A)

Taattu ääniteho..... 93 dB(A)

Säännösten noudattaminen tarkastettu direktiivin 2000/14/EC liitteen V mukaisesti muunnettuihin direktiivillä 2005/88/EC.

Valtuutettu kokoamaan tekninen tiedosto.<sup>5</sup>

## NO CE-SAMSVARSEKVLÆRING

### Kabelfri kompostkvernen

Merke: RYOBI | Producent<sup>1</sup> | Modellnummer<sup>2</sup> | Seriennummerserie<sup>3</sup>

Vi erklærer på eget ansvar at produktet beskrevet nedenfor oppfyller alle de relevante bestemmelsene i de europeiske direktiver, europeiske forskrifter og harmoniserte standarder<sup>4</sup>

Målt lydteknisk nivå..... 91,1 dB(A)

Garantert lydteknisk nivå..... 93 dB(A)

Metode for vurdering av konformitet til Tillegg V Direktiv 2000/14/EC endret ved 2005/88/EC.

Autorisert til å sette sammen den tekniske filen.<sup>5</sup>

## RU ДЕКЛАРАЦИЯ О СООТВЕТСТВИИ СТАНДАРТАМ ЕС

### Беспроводный измельчитель

Марка: RYOBI | Изготовитель<sup>1</sup> | Номер модели<sup>2</sup> | Диапазон заводских номеров<sup>3</sup>

Со всей ответственностью заявляем, что нижеупомянутое изделие отвечает всем соответствующим положениям следующих европейских директив, европейских регламентов, а также гармонизированных стандартов<sup>4</sup>

Измеренный уровень звуковой мощности..... 91,1 dB(A)

Гарантируемый уровень звуковой мощности..... 93 dB(A)

Способ оценки соответствия, приложение V к директиве 2000/14/EC с изменениями 2005/88/EC.

Лицо, ответственное за подготовку технической документации.<sup>5</sup>

## PL DEKLARACJA ZGODNOŚCI WE

### Rozdrabniacz bezprzewodowy

Marka: RYOBI | Producent<sup>1</sup> | Numer modelu<sup>2</sup> | Zakres numerów seryjnych<sup>3</sup>

Oświadczamy na własną odpowiedzialność, że produkt opisany w sekcji „Specyfikacja” spełnia wszystkie istotne postanowienia wymienionych poniżej dyrektyw UE, przepisów europejskich oraz norm zharmonizowanych<sup>4</sup>

Zmierzony poziom mocy akustycznej..... 91,1 dB(A)

Gwarantowany poziom mocy akustycznej..... 93 dB(A)

Metoda ocena zgodności zgodnie z aneksem V Dyrektywa 2000/14/EC zmieniona przez dyrektywę 2005/88/EC.

Osoba upoważniona do sporządzenia dokumentu technicznego.<sup>5</sup>

## CS CE PROHLÁŠENÍ O SHODĚ

### Akumulátorový drtíč

Značka: RYOBI | Výrobce<sup>1</sup> | Číslo modelu<sup>2</sup> | Rozsah sériových čísel<sup>3</sup>

Výhradně na vlastní odpovědnost prohlašujeme, že níže uvedený výrobek splňuje všechna příslušná ustanovení evropských směrnic, evropských nařízení a harmonizovaných norem<sup>4</sup>

Změřené hladina akustického výkonu..... 91,1 dB(A)

Zaručená hladina akustického výkonu..... 93 dB(A)

Soulad s metodou určování pro přílohu V směrnice 2000/14/EC upravená 2005/88/EC.

Pověření ke kompilaci technického souboru.<sup>5</sup>

## HU EK-MEGFELELŐSÉGI NYILATKOZATA

### Akkumulátoros aprító

Márka: RYOBI | Gyártó<sup>1</sup> | Típuszám<sup>2</sup> | Sorozatszám tartomány<sup>3</sup>

Kizárólagos felelősségünk keretében nyilatkozunk, hogy az alább említett termék megfelel a következő európai irányelvek, szabályozások és harmonizált szabványok vonatkozó rendelkezéseinek<sup>4</sup>

Mért hangteljesítményszint..... 91,1 dB(A)

Garantált hangteljesítményszint..... 93 dB(A)

A megfelelőségi értékelési eljárás a 2000/14/EC irányelv V. függeléké szerint történt által módosított 2005/88/EC irányelv.

A műszaki dokumentáció összeállítására felhatalmazott:<sup>5</sup>

## RO DECLARAȚIE DE CONFORMITATE CE

### Tocător fără fir

Marcă: RYOBI | Producător<sup>1</sup> | Număr serie<sup>2</sup> | Gamă număr serie<sup>3</sup>

Declaram pe proprie responsabilitate că produsul menționat mai jos îndeplinește toate prevederile relevante ale directivei Uniunii Europene, ale Regulamentelor UE și standardele armonizate<sup>4</sup>

Nivelul măsurat al puterii acustice..... 91,1 dB(A)

Nivelul garantat al puterii acustice..... 93 dB(A)

Metoda de evaluare a conformității cu Anexa V Directiva 2000/14/EC modificată prin 2005/88/EC.

Autorizat să completeze fișa tehnică:<sup>5</sup>

## LV EK ATBILSTĪBAS DEKLARĀCIJA

### Akkumulatortur smalcinātājs

Zīmols: RYOBI | Ražotājs<sup>1</sup> | Modeļa numurs<sup>2</sup> | Sērijas numura intervāls<sup>3</sup>

Ar pilnu atbildību mēs deklarējam, ka tālāk norādītais produkts izpilda visas atbilstošās norādīto Eiropas direktīvu, Eiropas regulu un harmonizēto standartu prasības<sup>4</sup>

Izmērītās skaņas jaudas līmenis..... 91,1 dB(A)

Garantētais skaņas intensitātes līmenis..... 93 dB(A)

Atbilstības novērtēšanas metode pielikuma V Direktīvai 2000/14/EC labota 2005/88/EC.

Pilnvarots sastādīt tehnisko failu:<sup>5</sup>

## LT EB ATITIKTIES DEKLARACIJA

### Akkumulatūrinis smulkintuvas

Prekės ženklas: RYOBI | Gamintojas<sup>1</sup> | Modelio numeris<sup>2</sup> | Serijinio numerio diapazonas<sup>3</sup>

Mes atsakingai pareiškiame, kad toliau minimas gaminyvis atitinka nurodytus Europos direktyvas, Europos reglamentas ir darniuosius standartus<sup>4</sup>

Išmatuotas akustinis lygis..... 91,1 dB(A)

Garantuotas akustinis lygis..... 93 dB(A)

Atitikties įvertinimo metodą pagal direktyvos 2000/14/EC, V Priedą su pataisomis 2005/88/EC.

Įgaliotas sudaryti techninį failą:<sup>5</sup>

## ET EÜ VASTAVUSDEKLARATSIOON

### Juhtmeta purusti

Mark: RYOBI | Tootja<sup>1</sup> | Mudeli number<sup>2</sup> | Seerianumbri vahemik<sup>3</sup>

Kinnitame oma ainuvastutuse, et allpool nimetatud toode vastab järgmistele Euroopa direktiivide, Euroopa määrustele ja ühtlustatud standardite kõigile asjaomastele sätetele<sup>4</sup>

Möödetud heliõimsuse tase..... 91,1 dB(A)

Garanteeritud heliõimsuse tase..... 93 dB(A)

Vastavusthindamine vastavalt lisale V direktiivis 2000/14/EC muudetud direktiiviga 2005/88/EC.

Tehnilise faili koostamiseks volitatud isik:<sup>5</sup>

## HR IZJAVA O SUKLADNOSTI

### Akkumulatorska rezačica

Marka: RYOBI | Proizvođač<sup>1</sup> | Broj modela<sup>2</sup> | Raspon serijskog broja<sup>3</sup>

Pod punom odgovornošću izjavljujemo da proizvod naveden u nastavku zadovoljava sve relevantne odredbe sljedećih europskih direktiva, europskih uredbi i usklađenih normi<sup>4</sup>

Izmjerena razina zvučne snage..... 91,1 dB(A)

Jamčena razina zvučne snage..... 93 dB(A)

Metoda procjene usklađenosti prema Dodatku V Direktive 2000/14/EC navedeno u 2005/88/EC.

Ovlašten da sastavi tehničku datoteku:<sup>5</sup>

## SL ES-IZJAVA O SKLADNOSTI

### Brezžični drobilnik

Znamka: RYOBI | Proizvajalec<sup>1</sup> | Številka modela<sup>2</sup> | Razpon serijskih števil<sup>3</sup>

Pod izključno lastno odgovornostjo izjavljamo, da spodaj navedeni izdelek izpolnjuje vse ustrezne predpise naslednjih evropskih direktiv, evropskih uredb in harmoniziranih standardov<sup>4</sup>

Izmerjena raven zvočne moči..... 91,1 dB(A)

Zajamčena raven zvočne moči..... 93 dB(A)

Način ugotavljanja skladnosti z aneksom V direktive 2000/14/EC ki je bila spremenjena z 2005/88/EC.

Pooblaščen oseba za sestavo tehnične dokumentacije:<sup>5</sup>

## SK ES VYHLÁSENIE O ZHODE

### Akkumulátorová drvička

Značka: RYOBI | Výrobca<sup>1</sup> | Číslo modelu<sup>2</sup> | Rozsah sériových čísel<sup>3</sup>

Na vlastnú zodpovednosť vyhlasujeme, že dolu uvedený výrobok vyhovuje príslušným ustanoveniam nasledujúcich európskych smerníc, európskych nariadení a harmonizovaných noriem<sup>4</sup>

Nameraná úroveň hluku..... 91,1 dB(A)

Garantovaná úroveň hluku..... 93 dB(A)

Spôsob určenia zhody podľa Dodatku V Smernica 2000/14/EC doplnená o 2005/88/EC.

Oprávnená osoba na zostavenie technického súboru:<sup>5</sup>

## BG CE - ДЕКЛАРАЦИЯ ЗА СЪОТВЕТСТВИЕ

### Безкабелна дробилка

Марка: RYOBI | Производител<sup>1</sup> | Номер на модела<sup>2</sup> | Обхват на серийни номера<sup>3</sup>

Декларираме на своя лична отговорност, че продуктът, посочен по-долу, отговаря на всички съответни разпоредби на директивите и регламентите на Европейския съюз и хармонизираните стандарти по-долу<sup>4</sup>

Измерено ниво на шум..... 91,1 dB(A)

Гарантирано ниво на шум..... 93 dB(A)

Метод за оценяване на съответствието с приложение V Директива 2000/14/EC, изменена от 2005/88/EC.

Упълномощено лице за съставяне на техническия файл:<sup>5</sup>

## UK СЕРТИФИКАТ ВІДПОВІДНОСТІ ВИМОГАМ ЄС

### Бездротвий подрібнювач

Марка: RYOBI | Виробник<sup>1</sup> | Номер моделі<sup>2</sup> | Діапазон серійного номеру<sup>3</sup>

Ми відповідально заявляємо, що описаний нижче пристрій відповідає всім чинним положенням директив ЄС, Європейських норм та гармонізованих стандартів<sup>4</sup>

Вимірний рівень звукової потужності..... 91,1 dB(A)

Гарантований рівень звукової потужності..... 93 dB(A)

Метод оцінки відповідності Annex V Directive 2000/14/EC з поправками, внесеними 2005/88 / EC.

Дозвіл на складання технічного файла:<sup>5</sup>

## TR CE UYGUNLUK BEYANI

### Kablosuz parçalama makinesi

Marka: RYOBI | Üretici<sup>1</sup> | Model numarasi<sup>2</sup> | Seri numarasi araligi<sup>3</sup>

Tüm sorumluluğu bize ait olmak üzere, aşağıda belirtilen ürünün aşağıdaki Avrupa Direktifleri, Avrupa Mevzuatı ve uyumlaştırılmış standartların ilgili hükümlerini yerine getirdiğini beyan ederiz<sup>4</sup>

Ölçülen ses gücü seviyesi..... 91,1 dB(A)

Güvenceli ses gücü seviyesi..... 93 dB(A)

2005/88/AT ile değiştirilen 2000/14/AT Direktif Ek V uyarınca uygunluk değerlendirilmesi yöntemi.

Teknik dosyayı derlemekle yetkili sorumlu:<sup>5</sup>

<sup>1</sup> Techtronic Industries GmbH  
Max-Eyth-Straße 10, 71364 Winnenden, Germany

<sup>2</sup> **RY36SHX40**

<sup>3</sup> 48634101000001 - 48634101999999

<sup>4</sup> 2006/42/EC, 2014/30/EU, 2000/14/EC, 2005/88/EC, 2011/65/EU, EN 60335-1:2012+A11:2014+A13:2017+A1:2019+A14:2019+A2:201+A15:2021, EN 50434:2014, EN IEC 55014-1:2021, EN IEC 55014-2:2021, EN IEC 63000:2018, EN 62233:2008, EN ISO 12100:2010

Todd Chipner  
Vice President, Quality – Asia  
Winnenden, August 5, 2022

<sup>5</sup> Alexander Krug, Managing Director  
Techtronic Industries GmbH  
Max-Eyth-Straße 10, 71364 Winnenden, Germany

## GB-DECLARATION OF CONFORMITY

Manufacturer: Techtronic Industries GmbH  
Max-Eyth-Straße 10, 71364 Winnenden, Germany

*We declare as the manufacturer under our sole responsibility that the product mentioned below*

Cordless shredder  
Brand: RYOBI  
Model number: RY36SHX40  
Serial number range: 48634101000001 - 48634101999999

*fulfills all the relevant provisions of the following Regulations: S.I. 2008/1597 (as amended), S.I. 2016/1091 (as amended), S.I. 2012/3032 (as amended), S.I. 2001/1701 (as amended) and that the following designated standards have been used:*

BS EN IEC 55014-1:2021, BS EN IEC 55014-2:2021, BS EN 62233:2008,  
BS EN ISO 12100:2010, BS EN 60335-1:2012+A15:2021,  
BS EN 50434:2014, BS EN IEC 63000:2018

Measured sound power level: 91.1 dB(A)  
Guaranteed sound power level: 93 dB(A)  
Conformity assessment method to S.I. 2001/1701 Schedule 8 (as amended)



Todd Chipner  
Vice President, Quality – Asia  
Winnenden, August 5, 2022

Authorised to compile the technical file:  
Techtronic Industries (UK) Ltd  
Parkway  
Marlow Bucks SL7 1YL  
UK



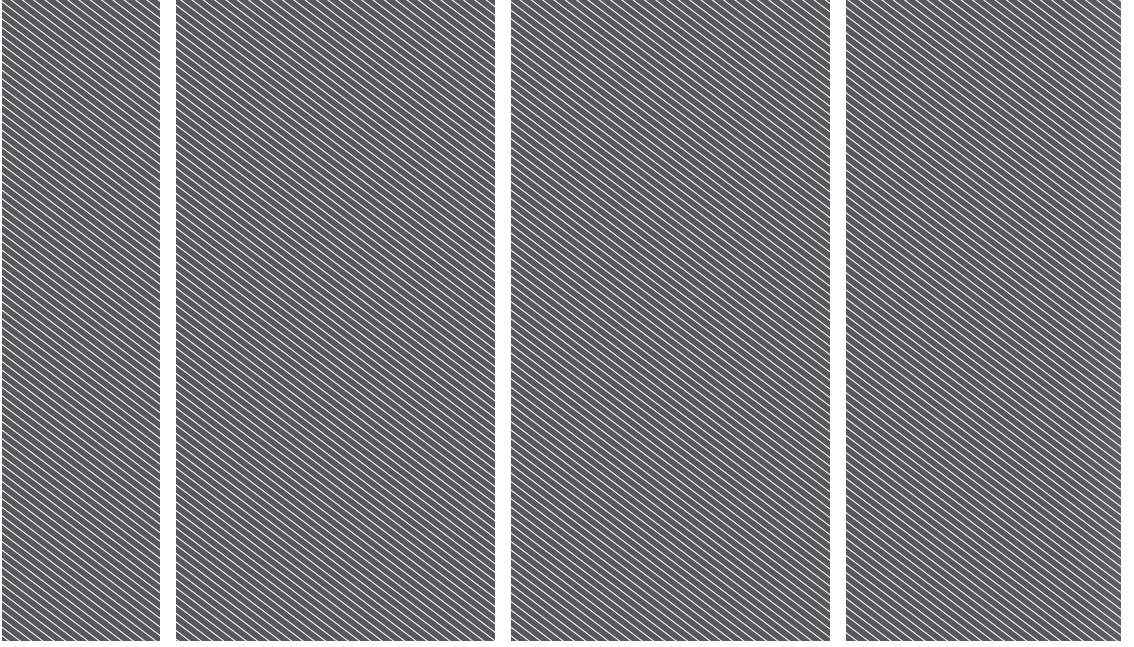






**EN** RYOBI is a trade mark of Ryobi Limited, and is used under license.  
**FR** RYOBI est une marque déposée de Ryobi Limited, et est utilisée sous licence.  
**DE** RYOBI ist ein Markenzeichen von Ryobi Limited und wird in Lizenz verwendet.  
**ES** RYOBI es una marca registrada de Ryobi Limited, y se utiliza bajo licencia.  
**IT** L'utilizzo del marchio registrato RYOBI è legato alla licenza concessa da Ryobi Limited.  
**NL** RYOBI is een handelsmerk van Ryobi Limited en wordt onder licentie gebruikt.  
**PT** RYOBI é uma marca comercial de Ryobi Limited, e é utilizada sob licença.  
**DA** RYOBI er et varemærke tilhørende Ryobi Limited og bruges under licens.  
**SV** RYOBI är en del av varumärke Ryobi Limited och dess användning är licensierad.  
**FI** RYOBI on Ryobi Limitedin omistama tavaramerkki, ja sitä käytetään lisenssin puitteissa.  
**NO** RYOBI er et varemerke for Ryobi Limited, og brukes under lisens.  
**RU** RYOBI является товарным знаком компании Ryobi Limited, используемым по лицензии.  
**PL** RYOBI to znak towarowy firmy Ryobi Limited i jest używany zgodnie z udzieloną licencją.  
**CS** RYOBI je ochranná známka společnosti Ryobi Limited a její používání podléhá licenci.  
**HU** A RYOBI a Ryobi Limited védjegye, használatra licenc keretében történik.  
**RO** RYOBI este o marcă comercială a firmei Ryobi Limited și este utilizată sub licență.  
**LV** RYOBI ir Ryobi Limited preču zīme un tiek izmantota saskaņā ar licenci.  
**LT** „RYOBI“ yra „Ryobi Limited“ prekės ženklas, naudojamas pagal licenciją.  
**ET** RYOBI on ettevõtte Ryobi Limited kaubamärk, mida kasutatakse litsentsi alusel.  
**HR** RYOBI je žig tvrtke Ryobi Limited i koristi se po licenci.  
**SL** RYOBI je blagovna znamka družbe Ryobi Limited in se uporablja na podlagi dovoljenja.  
**SK** RYOBI je ochranná známka spoločnosti Ryobi Limited a používa sa na základe licencie.  
**BG** RYOBI е търговска марка на Ryobi Limited и се използва под лиценз.  
**UK** RYOBI є товарним знаком Ryobi Limited, і використовується за ліцензією.  
**TR** RYOBI, Ryobi Limited şirketine ait olup, lisans altında kullanılan bir ticari markadır.





**Techtronic Industries GmbH**  
Max-Eyth-Straße 10,  
71364 Winnenden, Germany

**Techtronic Industries (UK) Ltd**  
Parkway  
Marlow Bucks SL7 1YL  
UK

961478306-01

