



## OPERATING INSTRUCTIONS FOR:

**AC Milan 7K Duo WiFi Smart Home** WAC705G  
**AC Milan 9K Duo WiFi Smart Home** WAC905G



Visit [woods.se](http://woods.se) for more information and updated instruction manuals.

For extended warranty, register your product at [warranty-woods.com](http://warranty-woods.com)  
 Visit our website, [www.woods.se](http://www.woods.se), for the latest updated owners manual.

<b>GB</b>	<i>Operating Instructions</i>	<b>PL</b>	<i>Instrukcja obsługi</i>
<b>SE</b>	<i>Bruksanvisning</i>	<b>RO</b>	<i>Manual utilizare</i>
<b>NO</b>	<i>Bruksanvisning</i>	<b>FI</b>	<i>Käyttöohjeet</i>
<b>DK</b>	<i>Betjeningsvejledning</i>	<b>LT</b>	<i>Naudojimosi instrukcija</i>
<b>DE</b>	<i>Bedienungsanleitung</i>	<b>LV</b>	<i>Lietošanas instrukcija</i>
<b>FR</b>	<i>Guide d'instructions</i>	<b>IT</b>	<i>Istruzioni per l'uso</i>
<b>ES</b>	<i>Manual de instrucciones</i>	<b>GK</b>	<i>Οδηγίες λειτουργίας</i>
<b>NL</b>	<i>Gebruiksaanwijzing</i>	<b>IS</b>	<i>Notkunarleiðbeiningar</i>
<b>EE</b>	<i>Kasutusjuhend</i>		

Visit our website to:

Get usage advice, updated owners manual, troubleshooting and service information  
 Register your product for additional services:  
[www.warranty-woods.com](http://www.warranty-woods.com)

**CUSTOMER CARE AND SERVICE**

Always use original spare parts.  
 When contacting our authorised service centre, ensure that you have the following data available:  
 Model number, receipt and serial number.

The refrigerant used in portable air conditioner is the environmentally friendly hydrocarbon R290. This refrigerant is odorless, and compared to the alternative refrigerant, the R290 is an ozone-free refrigerant.

Warning / Caution-Safety information.  
 General information and tips.  
 Environmental information.  
 Subject to change without notice.

AC Milan 7K/9K Duo WiFi Smart Home are in conformity with the technical requirements of the following standard(s):

LVD:2014/35/EU EN 60335-2-40:2003/A13:2012 EN 60335-1:2012/A2:2019 EN 62233:2008	EMC:2014/30/EU EN 301 489-1 EN 301 489-17 EN 55014-1 EN IEC 61000-3-2 EN 61000-3-3 EN 55014-2	RED: 2014/53/EU EN 301 489-1 V2.2.3:2019 EN 301 489-17 V3.2.4:2020 EN 55014-1:2017/A11:2020 EN 55014-2:2015 EN 61000-3-2:2014 EN IEC 61000-3-2:2019 EN 61000-3-3:2013 EN 61000-3-3:2013/A1:2019 EN 300 328 V2.2.2:2019 EN 50665:2017 EN 60335-2-40:2003/A13:2012 EN 60335-1:2012/A2:2019 EN 62233:2008
---	---	---

**CONTENTS:**

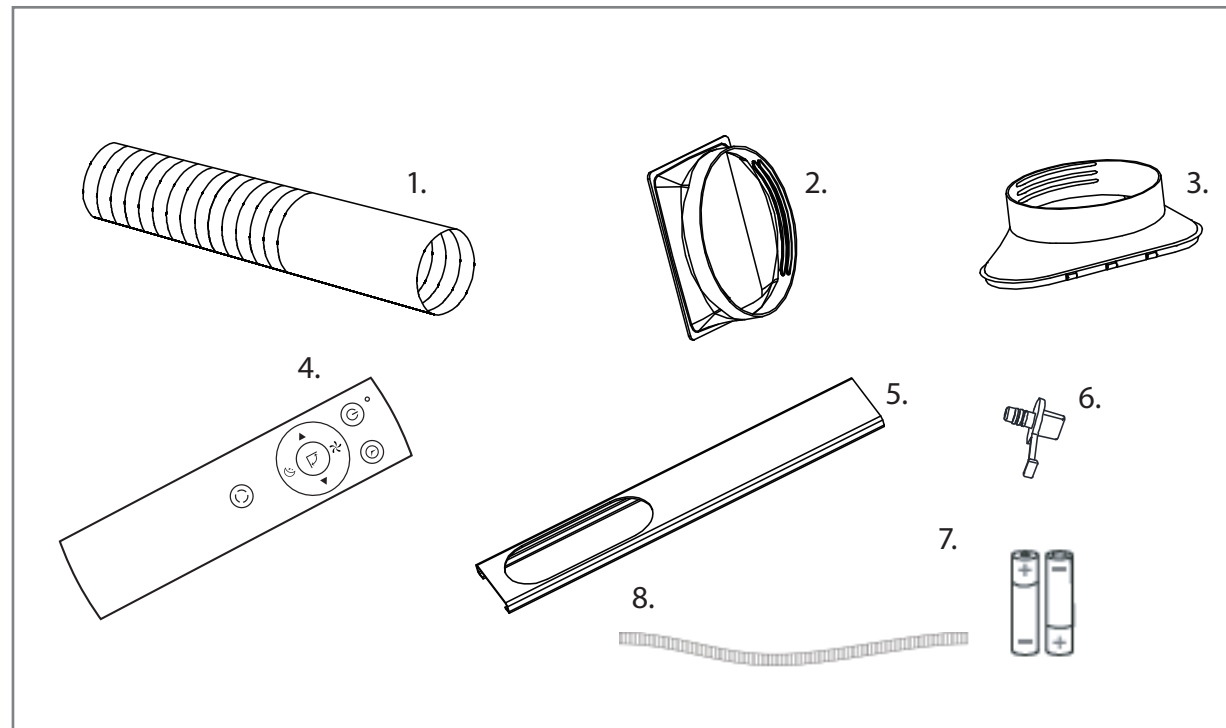
**PAGE NO.**

TABLE OF CONTENTS

OPERATING INSTRUCTIONS

English .....	9-17
Swedish .....	18-26
Norwegian .....	27-35
Danish .....	36-44
German .....	45-53
French .....	54-62
Spanish .....	63-71
Dutch .....	72-80
Polish .....	81-89
Romanian .....	90-98
Finnish .....	99-107
Lithuanian .....	108-116
Latvian .....	117-125
Italian .....	126-134
Greek .....	135-143
Icelandic .....	144-152
Estonian .....	153-161

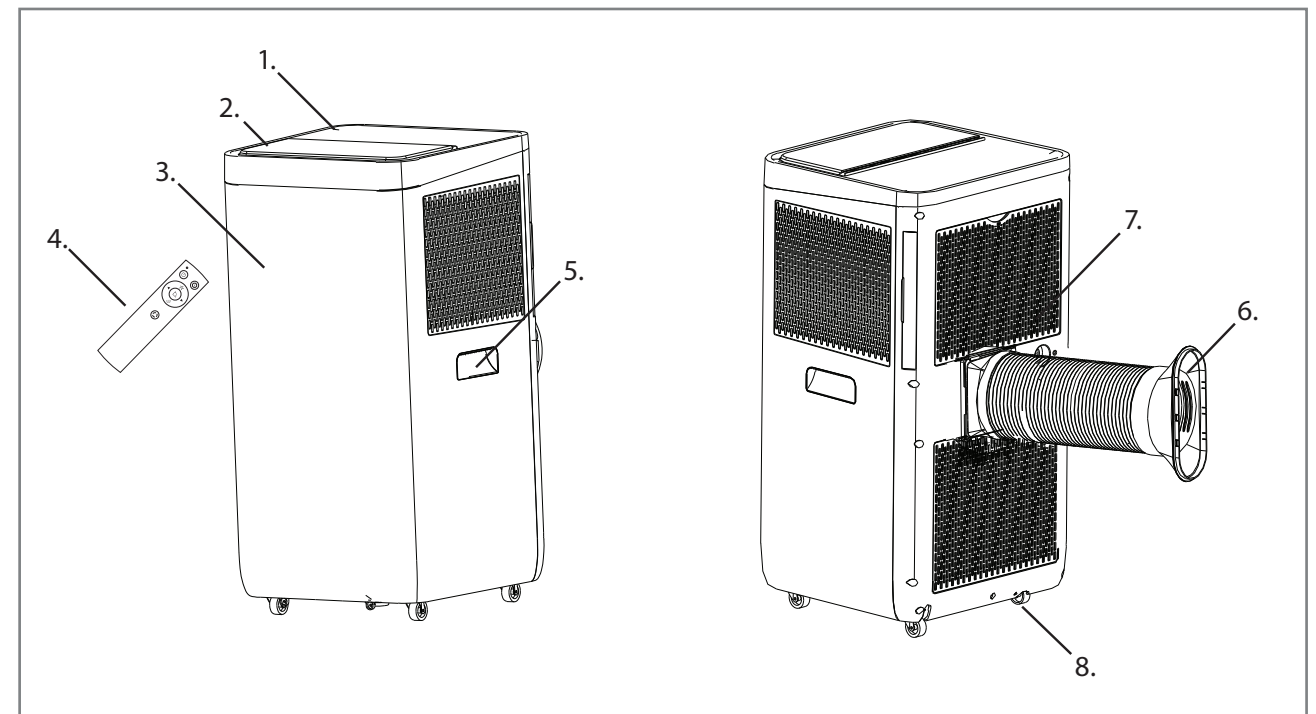
A.



B.



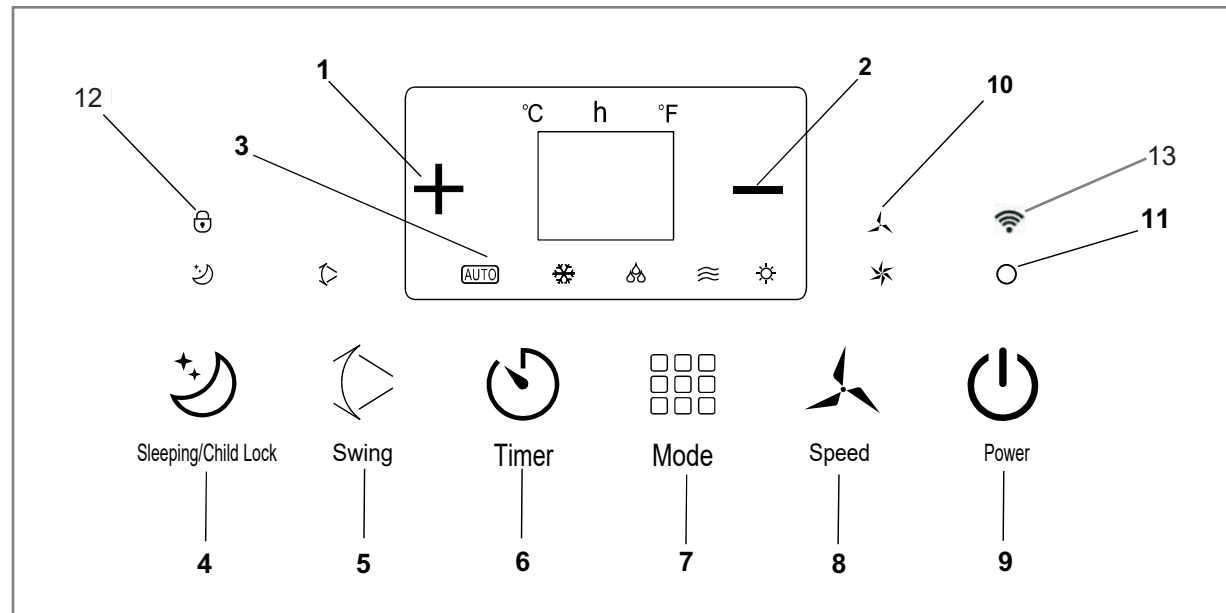
C.



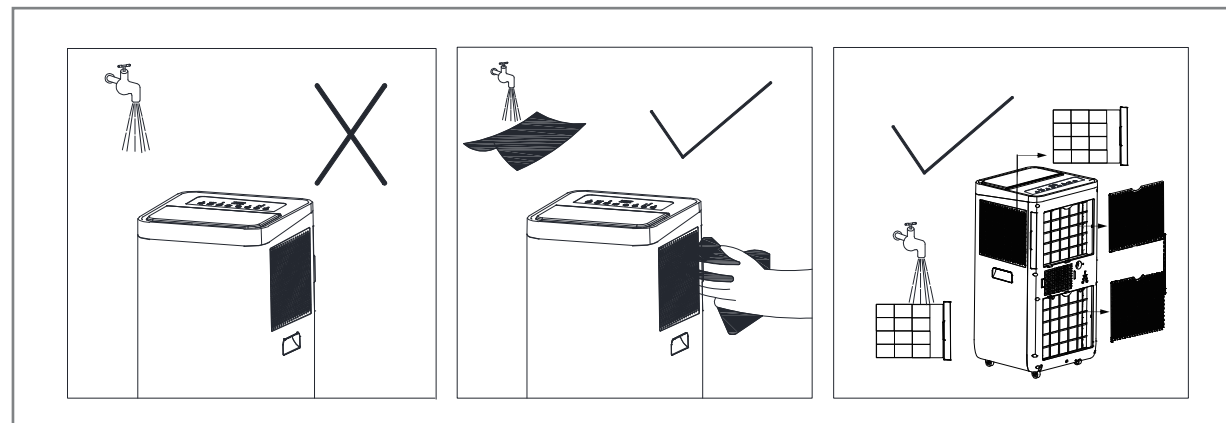
D.



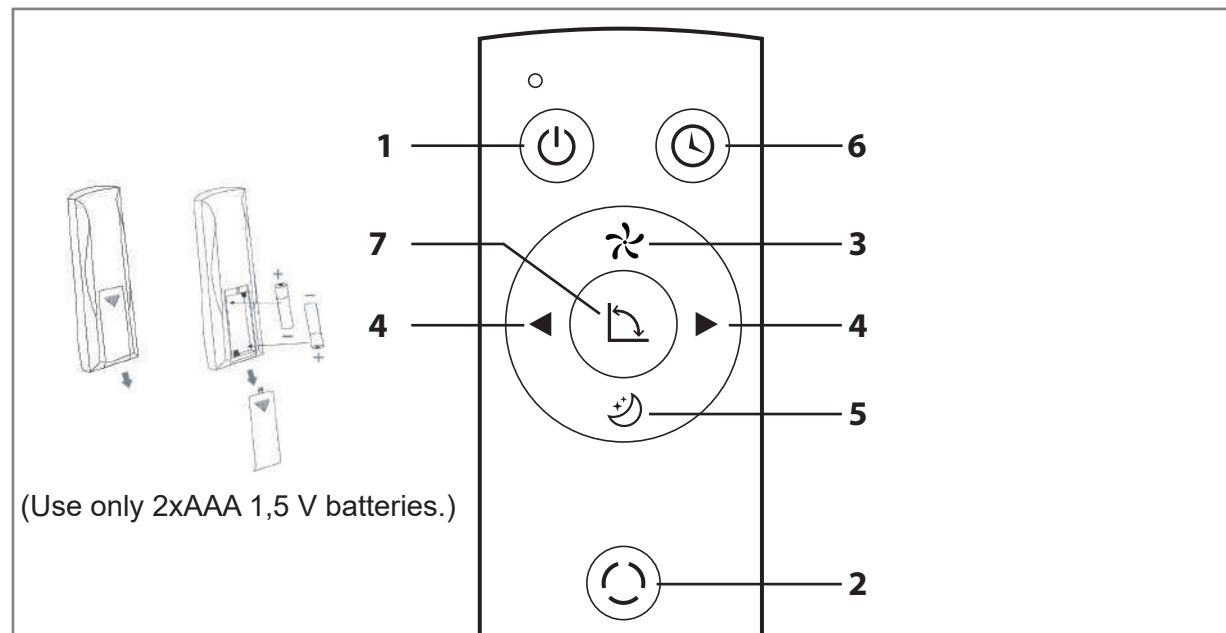
E.



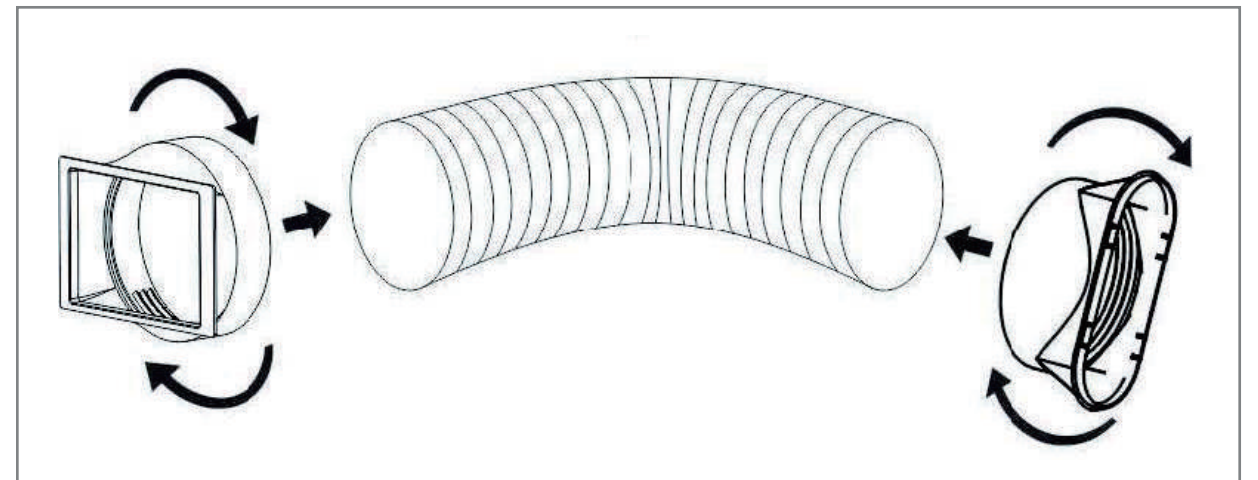
F.



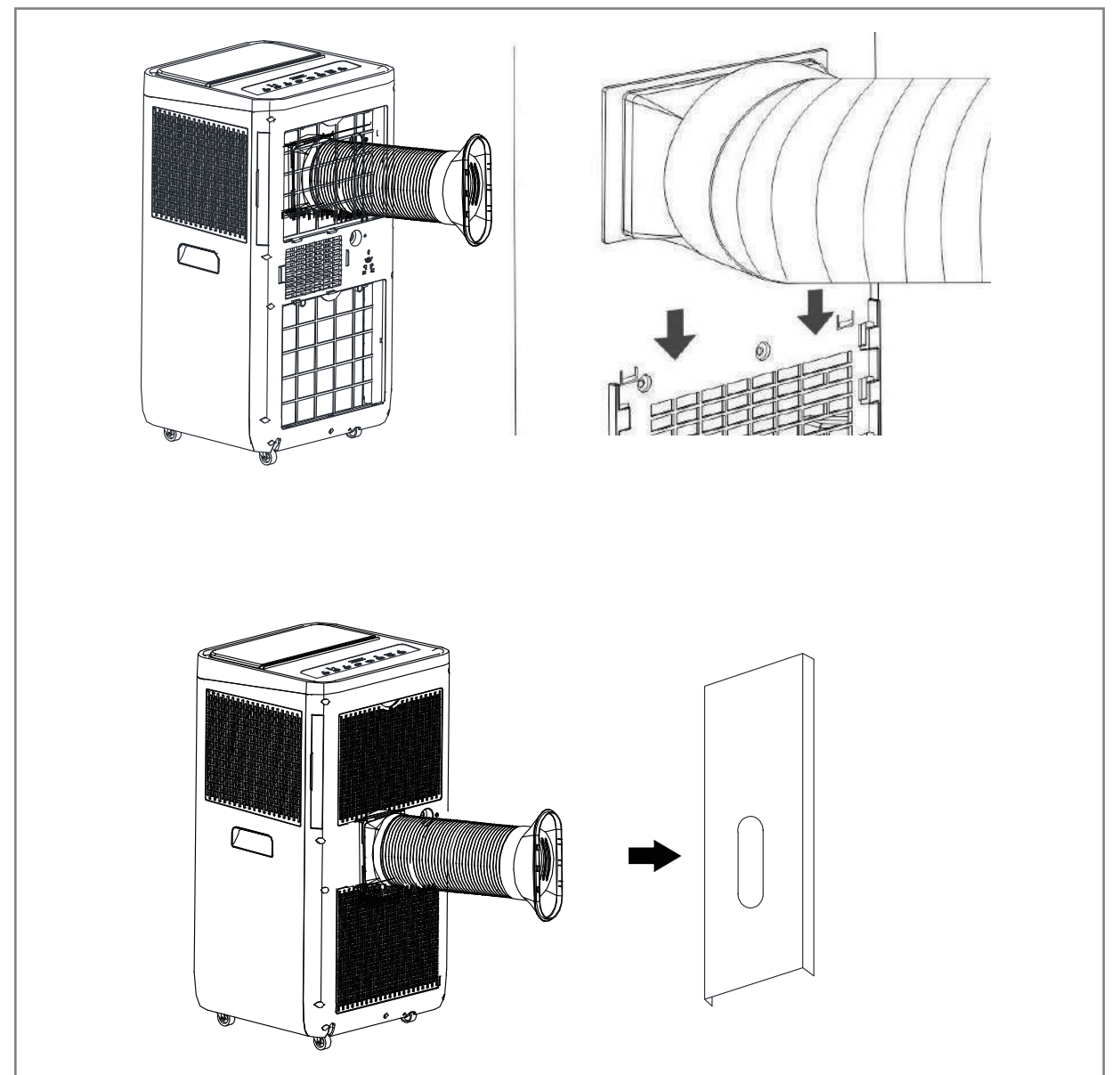
G.



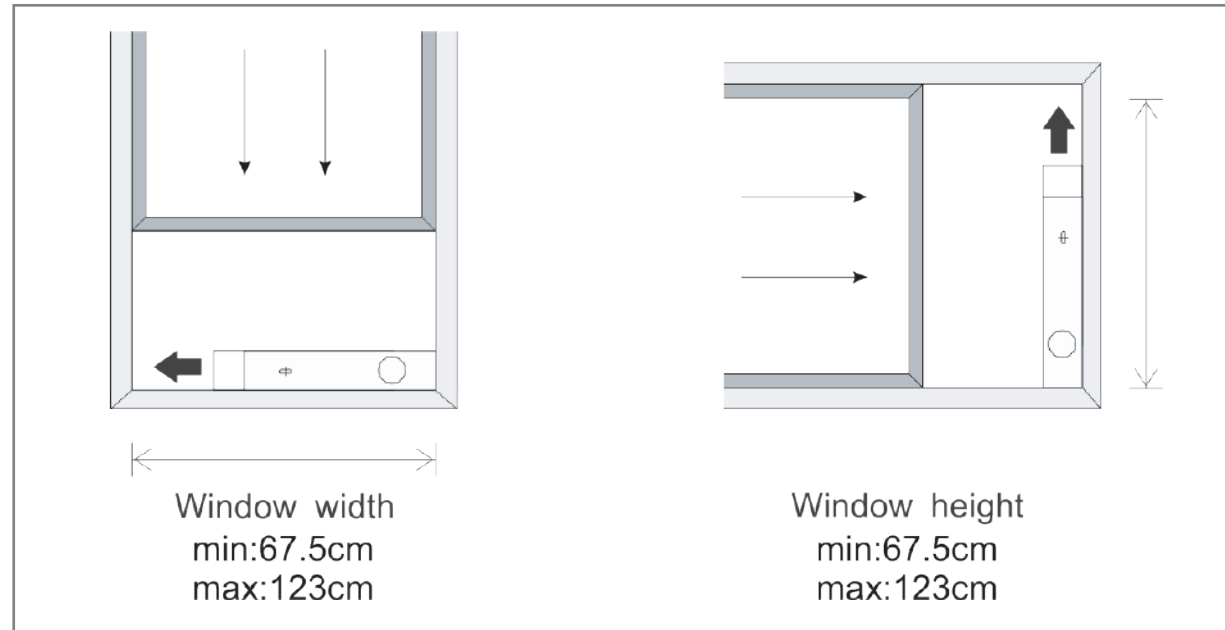
H.



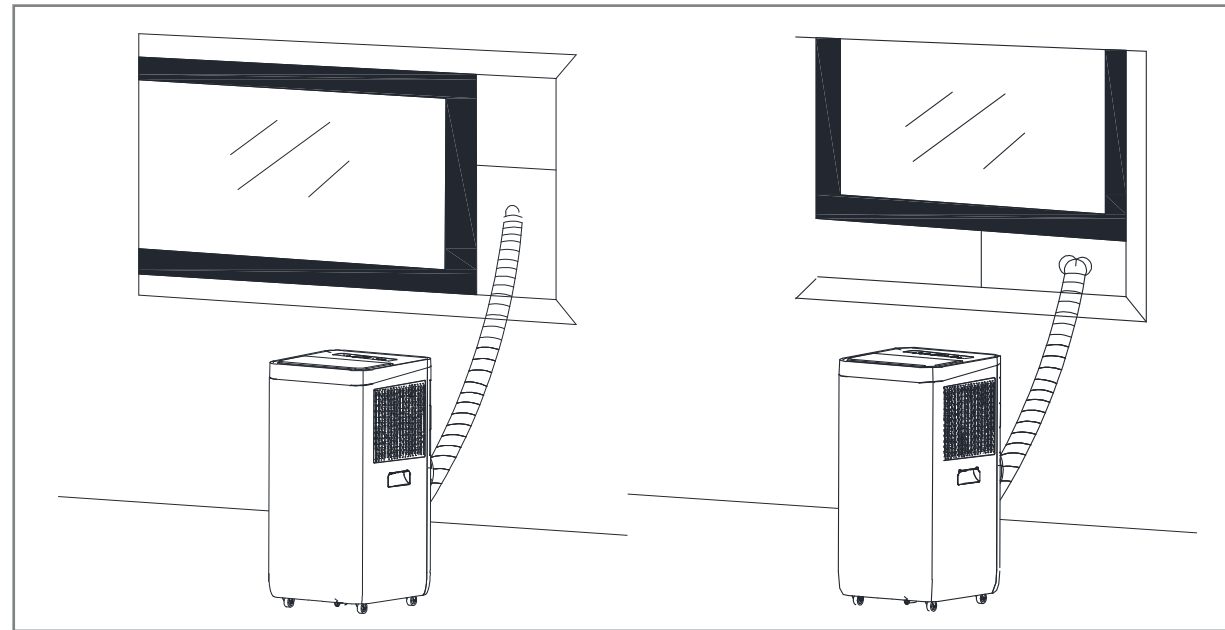
I.



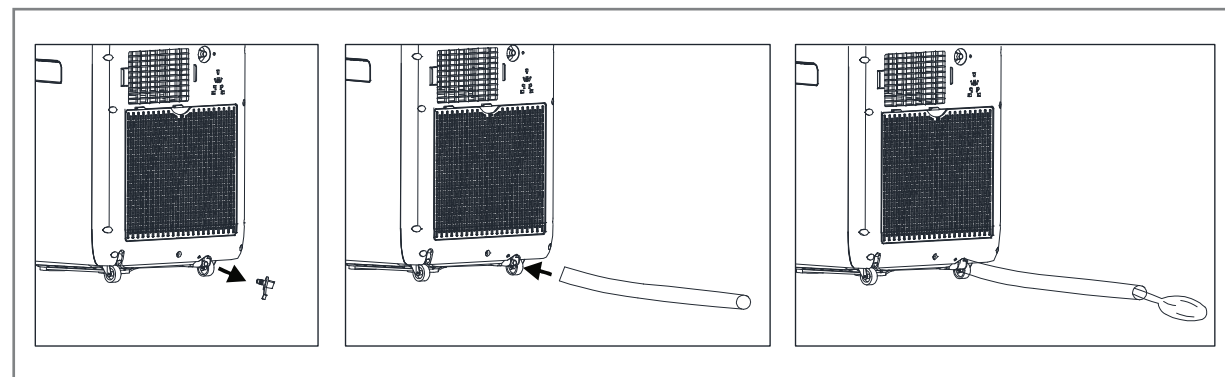
J.



K.



L.



**WOOD'S FOR CLEAN AND HEALTHY INDOOR AIR**

The brand Wood's was born with the Wood's family over 65 years ago in the Canadian city of Guelph, Ontario. This is where Wood's began developing and manufacturing dehumidifiers in 1950. Since then Wood's has helped several hundred thousand households to prevent damages from mould and dampness, and to breathe cleaner air. Our portable air conditioners are suitable for use in most climates, where capacity is good even at different temperatures and humidity levels. They are used with good results in premises that become hot such as living rooms, offices or bedrooms. The amount of hot air that the air conditioner removes depends on the temperature, humidity level, and placement. External weather conditions may also affect the performance of the air conditioner.

Wood's air conditioners are safe in operation and intended for continuous use over many years.


**HOW DOES THE AIR CONDITIONING UNIT WORK?**

Low pressure gives cold air  
The main element of the air conditioner is a coolant, which under low pressure is converted to gas. The process "creates cold", which is transmitted inward, while keeping the warm air out.  
A liquid coolant is passed through an expansion valve and into a pipe where the pressure is low.  
The coolant evaporates and turns into a gas. The process absorbs heat from the surroundings and the pipe is cooled.  
A fan blows the cold air into the room.  
The gas is passed through a compressor, which increases the pressure and converts the gas into liquid.  
In this process, heat is released, which is led to pipes on the opposite side and blown out by a fan.  
A thermostat shuts off the unit when the indoor air is cold enough.

**1. SECURITY WARNINGS**



Flammable material. This appliance contains R290/ Propane a flammable refrigerant.

 Refer to this manual for safety information.

 Read technical manual

 Read operators manual.

**SAFETY INFORMATION**

Before the installation and use of the appliance, carefully read the supplied instructions. The manufacturer is not responsible if an incorrect installation and use causes injuries and damages. Always keep the instructions with the appliance for future reference.

**Children and vulnerable people safety**

**WARNING**   
Risk of injury or permanent disability.

This appliance can be used by children aged 8 years and above and persons with reduced physical, sensory or mental capabilities or lack of experience and knowledge if they have been given supervision or instruction concerning the use of the appliance in a safe way and understand the hazards involved.

Do not let children play with the appliance.

Children of less than 3 years should be kept away unless continuously supervised.

Keep all packaging away from children.

Cleaning and user maintenance shall not be made by children without supervision.

**General Safety**

This appliance is intended to be used in households and similar applications such as: a family room, living room, staff kitchen areas in shops, offices, and other working environments. The rating plate is located at the side or back of the Air Conditioner.

Keep ventilation openings clear of obstruction.

Do not use mechanical devices or other means to accelerate the defrosting process, other than those recommended by the manufacturer.

The appliance, shall not be stored in a room with operating ignition sources (for example: open flames, an operating gas appliance or an operating electric heater. Do not pierce or burn.

Be aware that refrigerants may not contain an odour. Do not use water spray and steam to clean the appliance. Clean the appliance with a moist soft cloth. Only use neutral detergents. Do not use abrasive products, abrasive cleaning pads, solvents, or metal objects. If the supply cord is damaged, it must be replaced by the

manufacturer, its Authorised Service Centre or similarly qualified persons in order to avoid a hazard.

## SAFETY INSTRUCTIONS

### Installation

#### WARNING

Only a qualified person must install this appliance.

Remove all the packaging.

Do not install or use a damaged appliance. The appliance shall be installed, operated, and stored in a room with a floor area larger than 4 m<sup>2</sup> to 4.2 m<sup>2</sup>(7k), 7.7 m<sup>2</sup> (9K), 9.6 m<sup>2</sup>(12K). Obey the installation instruction supplied with the appliance.

Always be careful when you move the appliance because it is heavy. Always wear safety gloves. Be aware that refrigerants may not contain an odour.

Make sure the air can circulate around the appliance.

Wait at least 4 hours before connecting the appliance to the power supply. This is to allow the oil to flow back into the compressor.

Do not install the appliance close to radiators or other heat sources. Do not install the appliance where there is direct sunlight.

### Electrical connection

#### WARNING

Risk of fire and electrical shock. The appliance must be connected to a grounded outlet. Make sure that the electrical information on the rating plate

matches with the power supply. If not, contact an electrician.

Always use a correctly installed shockproof socket.

Do not use multi-plug adapters and extension cables.

Make sure not to cause damage to the electrical components (e.g. mains plug, mains cable).

Contact the Authorised Service Centre or an electrician to change the electrical components.

The mains cable must stay below the level of the mains plug.

Connect the mains plug to the mains socket only at the end of the installation.

Make sure that there is access to the mains plug after the installation.

Do not pull the mains cable to disconnect the appliance. Always pull at the mains plug.

### Use

#### WARNING

Risk of injury, burns, electrical shock, or fire.

Do not change the specification of this appliance.

Be careful not to cause damage to the refrigerant circuit. It contains propane (R290), a natural gas with a high level of environmental compatibility. This gas is flammable.

If damage occurs to the refrigerant circuit, make sure that there are no flames and sources of ignition in the room. Ventilate the room. Do not put flammable products or items that are wet with flammable products near or on the appliance.

### Disposal

#### WARNING

Risk of injury.

Disconnect the appliance from the mains supply.

Cut off the mains cable and discard it.

The refrigerant circuit of this appliance is ozone-friendly.

Contact your municipal authority for information on how to discard the appliance correctly.

Do not cause damage to the part of the cooling unit that is near the heat exchanger.

## SET UP AIR CONDITIONER FOR INSTALLATION

### 2. Installation

#### BEFORE FIRST USE

Let the machine stand upright for 2 hours before use. This is so that oil that may have leaked into the cooling system can flow back to the compressor. (The same as for a refrigerator)

#### Important

1. This air conditioner may be conveniently moved around indoors. Keep the unit in an upright position while moving it. The air-conditioner should be placed on a flat surface.

Do not install or operate this air conditioner in a bathroom or other wet environment.

Since a portable air conditioner is on wheels, it is easy to change positions. When it gets hot, you just move your portable air conditioner into the room and can quickly get started cooling the space.

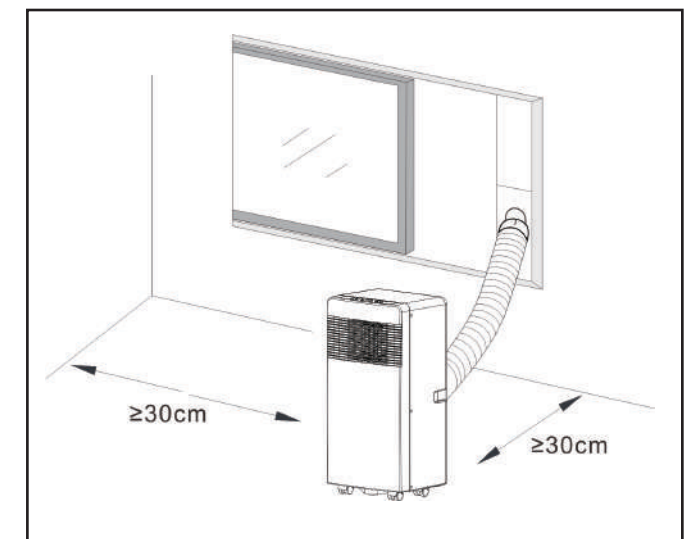
The air conditioner must be operated in an enclosed area to be most effective.

Close all doors, windows, and other openings to the room. Even if you have high ventilation or large windows with direct sunlight can affect the cooling effect.

2. Place the air conditioner in a location that does not restrict airflow through the front of the unit.

3. An air conditioner operating in a room will have little or no effect in drying an adjacent enclosed storage area, such as a closet, unless there is adequate circulation of air in and out of the area. A portable air Conditioner evacuates the heat from the unit with a ventilation hose through a window or exhaust air valve.

4. There should be a minimum of 30 cm distance between Air Conditioner and closest object. See picture for reference.



## PRODUCT DESCRIPTION

### 3. Product description

- A**
- Exhaust air hose
  - Connection for exhaust air hose to the AC
  - Connection for exhaust air hose to the window rail
  - Remote control
  - Window rail
  - Water plug
  - Batteries
  - Hose  
Length: 1m  
Diameter: 10mm
- B**
- Product Front picture
- C**
- Control panel
  - Cold Air Outlet
  - Signal Receptor
  - Remote Controller
  - Transport Handle
  - Air Outlet Hose
  - Evaporator Air Intake
  - Drainage outlet
- D**
- Product Top Picture
- E**
- Hours/ Temperature up
  - Hours/ Temperature down
  - Automatic, Cooling, Heating  
 Dehumidifying, Fan Mode
  - Sleep Mode and Child Lock
  - Oscillation/Swing
  - Hours
  - Operating Mode
  - Fan Speed (low/high)
  - Power Button (on/off)
  - Indicator light for selected fan speed
  - Operating indicator (illuminates when the machine is in operation)
  - Indicator lamp for child lock and sleep mode.
  - WiFi
- F**
- Instructions of filter screen cleaning.
- G**
- BUTTON  
Power on / off
  - BUTTON  
Press this button to select the operation mode.
  - BUTTON  
Used to select fan speed in sequence.
  - and SETTING BUTTONS  
used to adjust the room temperature and the timer.
  - BUTTON  
Used to set or cancel Mode operation.
  - BUTTON  
Used to set automatic OFF and automatic ON time.
  - BUTTON  
Used to set the oscillation / swing function.
- H**
- Turn the ends of the exhaust hose into the connections as shown.
- I**
- Exhaust air hose installation instructions
- J**
- Installation instructions for window rail NOTE! This window rail is not suitable for all types of windows. We recommend Wood's Window sealing kit (article number: wac\_wk) if this rail does not fit.
- K**
- Window rail installation proposal
- L**
- Installation instructions for drainage hose (NOTE! Hose is not included. The nozzle is adapted for a 10mm device hose)

## FUNCTION OF THE OPERATION MODES AND INSTALLATION DESCRIPTIONS

### A. Accessories

After unpacking, please check whether the above-mentioned accessories are included, and check their purposes in the installation introduction in this manual. Accessory No. 6 is already mounted at the bottom of the back of the machine.

### B. Portable air conditioning

#### G. Appearance and Function of Remote Control.

Notes:- Do not drop the remote control.- Do not place the remote control in a location exposed to direct sunlight.

### A. Operation Introduction

Before starting operations in this section:  
1) Place the air conditioner in a place where you have close access to a grounded electrical outlet.

2) Install the exhaust hose, and adjust the window position well.

3) Insert the power cord into a grounded AC220~240V/50Hz socket;

4) Press the POWER button to turn on the air-conditioner.

H, I, and K. Installation of exhaust air hose

### M) Temporary installation

- Twist both ends of the exhaust hose into the Hose connections.
- Insert the square fixing clip into the air outlet at back of the machine.
- Put the other end of the exhaust hose near windowsill.

### J&K: Window Slider Kit Installation

The installation manner of window slider kit is mostly in "horizontal" and "vertical". As shown Fig. 5 and Fig.5a, check the min. and max. size of the window before the installation.

- Install the window kit on the window ;
- Adjust the length of the window slider kit according to the window width or height, and fix it with the dowel;

3. Attach the hose bracket to the hole in the window rail

### O. Internal Tank "Water Full" Alarm

The water tank inside the machine has a level monitor that detects when the tank is full. When the container is full, the machine switches off automatically and the code E4 is shown on the display.  
(If the water tank is full, please remove the rubber plug at the bottom of the unit to drain the water.) We recommend that you drain the water over a floor drain, or

**It is very important that the filter is cleaned regularly; otherwise the air conditioner might lose capacity and even be risk serious damage.**

alternatively an oven tray.

when the water is full, please remove the rubber blockage at the bottom of unit, and all water will be drained outside.)

### Care Instructions And Maintenance Declaration:

- Before cleaning, be sure to disconnect the unit from any electric supply outlet;
- Do not use gasoline or other chemicals to clean the unit;
- Avoid rinsing water directly on the unit

4) If the machine is damaged, please contact your dealer

1. The air filter  
-If the air filter becomes clogged with dust/dirt, the air filter should be cleaned once every two weeks.

-Dismounting

Open the air inlet grille and take off the air filter.

-Cleaning

Clean the air filter with a neutral detergent in lukewarm water( 40°C ) and let dry in the shade.

-Mounting

Putting the air filter into the inlet grille, replace the components as they were.

2.Clean the surface with a neutral detergent and a wet cloth, followed by drying it with a dry cloth.

E. Before using

Check whether the exhaust hose has been mounted properly.

Cautions for cooling and dehumidifying operations:

-When using functions on cooling and dehumidifying, keep an interval of at least 3 minutes between each POWER.

-Power supply meets the requirements.

-The socket is for AC use.

-Do not share one socket with other appliances.

-Power supply is AC220-240V, 50Hz

1. Turn on the unit

a) Plug in, then the unit beeps once, "O" The power indicator light is on.

b) Press the "U" button, then the unit is turned on.

c) The LED displays the room temperature and under Automatic mode.

2. Cooling/Heating operation

-Press the "Mode" button till the Snowflake / Sun icon is displayed on the panel.

-Press the "+" or "-" button to select the desired room temperature. (15°C -31°C)

-Press the "Fan Speed" button to select wind speed.

3. Dehumidifying operation

Press the "Mode" button till the "Dehumidify" icon appears.

-Automatically set the selected temperature to current room temperature minus 2°C .

-Automatically set the fan motor to LOW wind speed.

4. Fan operation

-Press the "Mode" button till the "Fan" icon appears.

-Press the "Fan Speed" button to select wind speed.

## FUNCTION OF THE OPERATION MODES AND INSTALLATION DESCRIPTIONS

### 5. ⏰ Timer operation

a) Press the "Timer" button to set Automatic Off time while the unit is running.

b) Press the timer button for a scheduled start.

c) The time can be adjustable within a range of 1 hour to 24 hours. Press the temperature up (+) or temperature down (-) button to increase or decrease the time by one hour by pressing once.

### 6. 🌙 Operation

a) The 🌙 operation is effective when the unit is under 🌙 mode.

b) Press the 🌙 button in 🌙 mode, for activating sleep mode. In sleep mode, the fan will run on low speed. The set temperature increases by 1 °C after one hour and the temperature increases by 2 °C after two hours. After 6 hours, the unit switches off. Should the temperature rise by more than 2 °C above the set value, the machine will start in full operation.

### 7. 🔄 Oscillation / Swing

a) When the Oscillation / Swing button is activated, the swing blade swings up and down automatically. If you want to stop, press the button again.

### Service

If the Air Conditioner requires servicing, you must first contact your local retailer. Proof of purchase is required for all warranty claims.

### Storage instructions

### End of Season Storage

1) We recommend that you drain the water over a floor drain, or alternatively a baking sheet. Screw off the drain cover and pull out the stopper to drain condensate water completely.

2) Keep unit running in fan mode for half day to dry inside of unit completely to prevent from going moldy.

3) Turn off the unit, pull out the plug then wrap the power cord around the wire-winding pillar, insert the plug into the universal mounting hole at the back panel of the unit, install the water stopper and drain cover.

4) Remove the heat exhaust hose assembly, clean and keep it properly.

Note:

Push in the brackets,

Hold the exhaust hose assembly with both hands when removal.

Push the fasteners aside on exhaust air outlet using your thumbs, then pull out exhaust hose assembly.

5) Pack the air conditioner carefully with a soft plastic bag, put it on a dry place, and take appropriate action to protect it from dust. Keep the device out of the reach of children.

6) Take out the batteries from the remote control and store it properly.

Note:

\*Assure the unit is stored in a dry place. All accessories for the device must be stored together and properly protected.

\* The power cord holder and the universal socket provides protection to the power cord.

\* High location of the exhaust air outlet, offers simple assembly and rapid ventilation.

\* The unit's self-evaporative cooling system is intelligent, environmentally friendly and energy-saving.

\* Features a 24-hour timer function, with a unique on/off musical sound.

\* There is a 3 minute delay on restarting the compressor as a protective function.

## WiFi function

### 1. Download and Install APP

Download Woods Connect app from App Store or Google Play

#### 1. Register/Login/Forgot password

##### Register

If you don't have an App account, register an account or sign in with a verification code by SMS.

This page describes the registration process.

#### 2. Tap to enter the registration page.

3. The system automatically recognises your country / area. You can also select your country code. Enter the mobile number/E-mail and tap "Next".

4. If you enter the mobile number, then enter the verification code in the message and enter the password tap "Confirm" to finish your registration.

5. If you enter the E-mail enter the password and tap "Confirm" to finish your registration.

### 2. Sign in with username and password or verification code via SMS

#### Sign in with username and password

1. The system automatically recognises your country / area. You can also select your country code. Enter the mobile number/E-mail and tap "Next"

2. Enter your registered mobile number or email, and password to login.

#### Sign in with verification code

1. Tap "Sign in with SMS verification"

on new page.

2. The system automatically recognises your country / area.

You can also select your country code by yourself.

#### Forgot password

If you forgot your password, please follow these procedures:

1. Tap "Forgot password".

2. The system automatically recognises your country / area. You can also select your country code by yourself. Enter the mobile number/E-mail and tap "Next".

3. Enter the verification code in the message/E-mail and enter the new password tap "Confirm" to finish.

#### Woods Connect supports the below functions:

- Power on/Power off
- Cool Mode
- Dehum Mode
- Fan Mode
- Eco Mode
- Temperature settings
- Speed: Low and High
- Timer: 1-24 h
- Sleep: On/Off
- Auto clean: On/Off
- Celsius/Fahrenheit
- Swing: On/Off

### 3. Follow the procedures in the APP to enjoy the WiFi features.

#### Smart Home

If you have a Smart Home product please finish steps 1 to 3.

Third-party Access Service: Tap a third-party voice service icon to see how to connect to the service.

Smart Home Woods Connect supports the following functions through voice command:

Power on/Power off  
Temperature settings  
Mode settings  
Fan speed settings

For more information visit:

<https://woods.se/en/>



PROBLEM	CAUSE	REMEDY
The unit does not start when pressing on/off button	Not plugged in / Plug or socket is damaged.	Plug in or replace the power or socket.
	A fuse is blown or broken.	Replace the fuse (3.15A/250AC).
	The room temperature is lower than the set temperature. (Cooling mode)	Reset the temperature.
Not cool enough	The doors or windows are not closed.	Make sure all the windows and doors are closed.
	There are heat sources inside the room.	Remove the heat sources if possible.
	The exhaust air hose is not connected or blocked.	Connect or clean the exhaust air hose.
	Temperature setting is too high.	Reset the temperature.
	The air inlet is blocked.	Clean the air inlet.
High noise level	The ground is not level or not flat enough.	Place the unit on flat, level ground if possible
	The sound comes from the flowing of the refrigerant inside the air conditioner	It is normal.

If you are having trouble with your portable air conditioner, please refer to troubleshooting section below.  
If nothing of the below works, please contact your retailer for servicing of your Air Conditioner.

Error Codes	CAUSE	REMEDY
E2 Code	Room temperature sensor failed or is damaged.	Replace room temperature sensor.
E3 Code	Evaporator temperature sensor failed.	Replace evaporator temperature sensor.
E4 Code	Water tank full.	Please empty the water tank.

### Guarantees

2 years consumer warranty against production faults. Please note that the warranty is only valid upon the production of the receipt. The warranty is only valid if the product is used in accordance with the instructions and security warnings expressed in this manual. The warranty does not cover any damages caused by improper handling of the product.

**NOTE:** The 2 years warranty only applies for consumers and not to commercial use of the unit.



**NOTE!**  
Register at [www.warranty-woods.com](http://www.warranty-woods.com) and read about how to get an extended warranty. Please visit [www.woods.se](http://www.woods.se) for more information.

**Recommended limits for use**  
The best operating ambient temperature for cooling is 17-35 °C,  
Fuse Parameter: φ5.0x20mm  
3.15A, 250Vac.

### TECHNICAL DATA

	AC Milan 7K Duo WiFi Smart Home	AC Milan 9K Duo WiFi Smart Home
Cooling/Heating capacity	2000 W/1500W	2600 W/2000W
Cooling/Heating Power consumption	750 W/600W	950 W/750W
Airflow:	350 m³/h	350 m³/h
Energy class	A	A
Dehumidification	19 L / 24h	24 L / 24h
Temperature setting	15-31 °C	15-31 °C
Working temperature	16-43 °C	16-43 °C
EER	2,6	2,7
Length of air exhaust hose	1,5 m	1,5 m
Diameter of the air exhaust hose pipe	155mm	155mm
Refrigerant gas	R290/100g	R290/160g
Noise level in decibels	51dB	51dB
Weight	22.5kg	24.5kg
Dimensions in mm, L x W x H	355x350x700	355x350x700

\*Technical changes and improvements may occur. All values are approximate and may vary due to external circumstances such as temperature, ventilation, and humidity.



\*This marking indicates that this product should not be disposed of with other household wastes throughout the EU. To prevent possible harm to the environment or human health from uncontrolled waste disposal, recycle it responsibly to promote the sustainable reuse of material resources. To return your us device, please use the return and collection systems or contact the retailer where the product was purchased. They can take this product for environmentally safe recycling.



\*Used batteries must not be disposed of through household garbage, since they might contain toxic elements and heavy metals that can be harmful to the environment and human health. Return empty batteries to an appropriate recycling facility.

## WOOD'S FÖR REN OCH HÄLSOSAM INOMHUSLUFT

Varumärket Wood's grundades av familjen Wood för mer än 70 år sedan i den kanadensiska staden Guelph, Ontario. Det var då, på 1950-talet, som Wood's började utveckla och tillverka avfuktare. Sedan dess har Wood's hjälpt hundratusentals hushåll med att förhindra skador orsakade av mögel till följd av ånga, och att luften de andas är renare. Våra portabla luftkonditioneringsaggregat lämpar sig för användning i de flesta klimat, där kapaciteten är bra även när temperaturen och luftfuktigheten varierar. De används med gott resultat i lokaler som blir varma, såsom vardagsrum, kontor eller sovrum. Mängden varm luft som luftkonditioneringsaggregatet avlägsnar beror på temperaturen, luftfuktigheten och aggregatets placering. Yttre väderförhållanden kan också påverka luftkonditioneringsprestanda.

Wood's luftkonditioneringsaggregat är säkra att använda och avsedda för kontinuerlig användning under många år.


### HUR FUNGERAR LUFTKONDITIONERINGSENHETEN?

Lågt tryck ger kall luft. Den viktigaste komponenten i ett luftkonditioneringsaggregat är köldmediet, som under lågt tryck omvandlas till gas. Processen "skapar kyla" som överförs inåt, medan den varma luften stängs ute. Ett flytande köldmedium passerar genom expansionsventilen och in i ett rör där trycket är lågt. Köldmediet förångas och förvandlas till gas. Processen absorberar värme från omgivningen och röret kyls. En fläkt blåser den kalla luften in i rummet. Gasen leds genom en kompressor som ökar trycket och omvandlar gasen till vätska. I den här processen frigörs värme, som leds i rör på motsatt sida och blåses ut av en fläkt. En termostat stänger av enheten när inomhusluften är tillräckligt kall.

## 1. SÄKERHETSVARNINGAR



Brandfarligt material. Denna apparat innehåller R290/propan, ett brandfarligt köldmedium.

 Se denna bruksanvisning för säkerhetsinformation.


 Läs den tekniska manualen

 Läs bruksanvisningen.

### SÄKERHETSINFORMATION

Läs igenom de medföljande instruktionerna noggrant före installation och användning av apparaten. Tillverkaren tar inget ansvar för felaktig installation som orsakar personskador och materiella skador. Förvara alltid instruktionerna tillsammans med apparaten för framtida referens.

### Barn och utsatta personers säkerhet

**VARNING**  Risk för personskada eller permanent invaliditet. Denna apparat kan användas av barn från 8 år och uppåt och personer med nedsatt fysisk, sensorisk eller mental förmåga eller bristande erfarenhet och kunskap om de har fått tillsyn eller instruktioner om användning av apparaten på ett säkert sätt och förstå de faror som är inblandade.

Låt inte barn leka med apparaten. Barn som är yngre än 3 år bör hållas borta om de inte övervakas kontinuerligt. Förvara allt emballage utom räckhåll för barn. Rengöring och underhåll får inte göras av barn utan uppsikt..


### Allmän säkerhet

Denna apparat är avsedd att användas i hushåll och liknande tillämpningar såsom: familjerum, vardagsrum, personalkök i butiker, kontor och andra arbetsmiljöer. Märkskylten är placerad på sidan eller baksidan av luftkonditioneringsaggregatet. Se till att ventilationsöppningarna inte är blockerade.

Använd inte mekaniska anordningar eller andra hjälpmedel för att påskynda avfrostningen än de som rekommenderas av tillverkaren. Apparaten får inte förvaras i ett rum med antändningskällor som är aktiva (till exempel: öppen eld, gasdriven utrustning eller en elektrisk värmare. Får inte punkteras eller brännas. Tänk på att köldmedier kan avge lukt. Använd inte vattenspray och ånga för att rengöra apparaten. Rengör apparaten med en fuktig, mjuk trasa. Använd endast neutrala rengöringsmedel. Använd inte slipmedel, den slipande sidan på kökssvampar, lösningsmedel eller metallföremål. Om nätsladden är skadad måste den bytas ut av tillverkaren, dess auktoriserade servicecenter eller liknande kvalificerade personer för


att undvika fara.

### SÄKERHETSFÖRESKRIFTER Installation

**VARNING**  Denna apparat får endast installeras av en fackman. Ta bort allt emballage. Installera inte eller använd apparaten om den är skadad. Apparaten ska installeras, användas och förvaras i ett rum med en golvyta som är större än 4,2 m<sup>2</sup>(7k), 7,7 m<sup>2</sup>(9k), 9,6 m<sup>2</sup>(12k). Följ installationsanvisningarna som medföljer apparaten. Var alltid försiktig när du flyttar apparaten eftersom den är tung. Använd alltid skyddshandskar. Tänk på att köldmedier kan avge lukt.

Se till att luften kan cirkulera runt apparaten. Vänta minst 4 timmar innan du ansluter apparaten till strömförsörjningen. Detta är för att oljan ska kunna rinna tillbaka in i kompressorn. Installera inte apparaten nära radiatorer eller andra värmekällor. Installera inte apparaten på en plats där den utsätts för direkt solljus.


### Anslutning till elnätet

**VARNING**  Risk för brand och elstötar. Apparaten måste anslutas till ett jordat uttag. Se till att den elektriska informationen på märkskylten överensstämmer med strömförsörjningen. Om inte,

kontakta en elektriker.

Använd alltid ett korrekt installerat, stötsäkert uttag. Använd inte grenuttag och förlängningskablar. Se till att de elektriska komponenterna inte skadas (t.ex. stickkontakt, nätsladd). Kontakta det auktoriserade servicecentret eller en elektriker för att byta ut elektriska komponenter. Nätsladden måste vara placerad på en nivå som är under stickkontakten. Anslut stickkontakten till eluttaget först när installationen är klar. Se till att det är enkelt att komma åt stickkontakten efter installationen. Dra inte i sladden när du ska koppla från apparaten. Håll alltid i stickkontakten när du ska dra ut sladden.


### Använda

**VARNING**  Risk för brännskador, elstötar eller brand. Ändra inte specifikationen för denna apparat. Var försiktig så att inte köldmediekretsen skadas. Kretsen innehåller propan (R290), som är en miljövänlig naturgas. Gasen är brandfarlig. Om skador uppstår på köldmediekretsen, får det inte finnas någon öppen låga eller antändningskällor i rummet. Vädra ut gasen. Placera inte brandfarliga produkter eller föremål som är våta med

brandfarliga produkter nära apparaten.

Placera inte brandfarliga produkter eller föremål som är våta med brandfarliga produkter nära apparaten.

### Bortskaffning

**VARNING**  Risk för personskador. Koppla bort apparaten från elnätet. Klipp av nätsladden och släng den. Köldmediekretsen i denna apparat är ozonvänlig. Kontakta din kommun för information om hur du kasserar apparaten korrekt. Det är viktigt att delen på kylaggregatet som är närmast värmeväxlaren inte skadas.

## FÖRBEREDA LUFTKONDITIONERINGEN FÖR INSTALLATION

### 2. Installation

#### FÖRE FÖRSTA ANVÄNDNINGEN

Låt maskinen stå upprätt i 2 timmar före användning. Detta för att olja som eventuellt runnit ut i kylsystemet ska kunna rinna tillbaka till kompressorn. (Precis samma sak som gäller för ett kylskåp)

#### Viktigt

1. Denna luftkonditionering kan enkelt flyttas runt inomhus; se till att enheten hela tiden står upprätt när du flyttar den. Luftkonditioneringen ska placeras på en plan yta. Installera eller använd inte luftkonditioneringen i ett badrum eller andra våta miljöer.

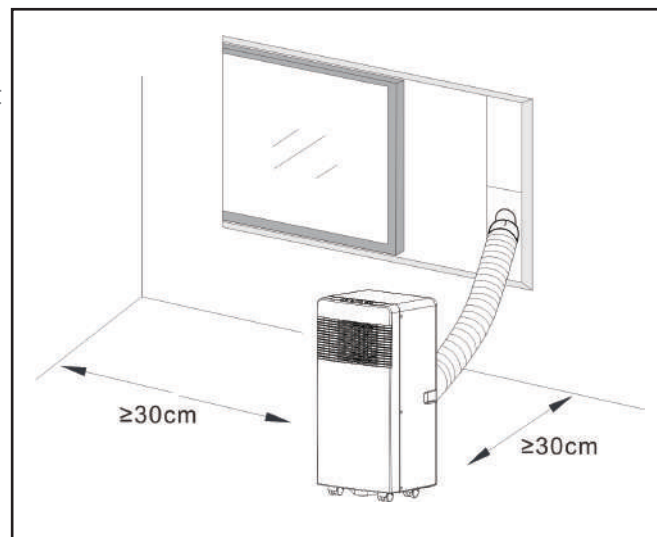
Eftersom en portabel luftkonditionering är på hjul, är det enkelt att flytta den. När det blir varmt flyttar du bara den portabla luftkonditioneringen till rummet och kan snabbt komma igång med att kyla utrymmet.

Luftkonditioneringen måste användas i ett stängt utrymme för att vara så effektiv som möjligt. Stäng alla dörrar, fönster och andra öppningar till utsidan i rummet. Luftkonditioneringens eektivitet beror på temperaturen och luftfuktigheten i rummet. Men också om man har hög ventilation eller stora fönster med direkt solljus kan påverka kyleekten.

2. Placera luftkonditioneringen på en plats där luftflödet genom enhetens framsida inte begränsas.

3. Ett luftkonditioneringssystem som används i ett rum har liten eller ingen effekt när det gäller att torka ett angränsande stängt utrymme, t.ex. en garderob, om det inte finns tillräcklig luftcirkulation in i och ut från det aktuella utrymmet. Ett portabelt luftkonditioneringsaggregat leder ut värmen från enheten med hjälp av en ventilationsslang som dragits genom ett fönster eller en frånluftsentil.

4. Avståndet mellan luftkonditioneringen och närmaste föremål bör vara minst 30 cm. Se bilden för referens.



## PRODUKTBeskrivning

### 3. Produktbeskrivning

#### A

1. Frånluftsslang
2. Anslutning för frånluftsslang till AC:n
3. Anslutning för frånluftsslang till fönsterskena
4. Fjärrkontroll
5. Fönsterskena
6. Vattenplugg
7. Batterier
8. Vattenslang  
Längd: 1 m  
Diameter: 10mm

#### B

1. Bild produktens framsida

#### C

1. Kontrollpanelen
2. Luftutlopp kallluft
3. Signalmottagare
4. Fjärrkontroll
5. Transporthandtag
6. Luftutlopp slang
7. Luftintag förångare
8. Dräneringsutlopp

#### D

1. Bild produkten sedd ovanifrån

#### E

1. + Timer/Knapp Temperatur upp
2. - Timer/Knapp Temperatur ner
3. AUTO Automiskt-, kylningsläge, Uppvärmning
4. Avfuktning och fläktläge
5. Sleep Mode
6. Oscillering/Swing
7. Timer
8. Mode
9. Fläktsymbol
10. Strömknapp (on/off)
11. Låg, Hög fläkthastighet
12. Driftindikator (lyser när maskinen är i drift)
13. Indikationslampa för barnlås och viloläge
14. WiFi

#### F

1. Schematiskt diagram över rengöring av filterskärm

#### G

1. KNAPP  
Ström på/av
2. KNAPP  
Tryck på den här knappen för att välja drift-läge.
3. KNAPP  
Används för att välja fläkthastighet i sekvens.
4. och INSTÄLLNINGSKNAPPAR  
används för att ställa in rumstemperaturen och timern.
5. KNAPP  
Används för att ställa in eller avbryta knappen Mode (driftläge).
6. KNAPP  
Används för att ställa in automatisk avstängning (OFF) oc automatisk påslagning (ON).
7. KNAPP  
Används för att ställa in oscillerings-/ swingfunktion

#### H

1. Vrid in ändarna på frånluftslangen i anslutningarna enligt bild

1. Installationsanvisning av frånluftsslang

#### J

1. Installationsanvisning av fönsterskena. OBS! Denna fönsterskena passar inte till alla typer av fönster. Vi rekommenderar Wood's Window sealing kit (artikelnummer: wac\_wk) om denna skena inte passar.

#### K

1. Installationsförslag av fönsterskena

#### L

1. Installationsanvisning av dräneringsslang- (OBS! Slang ingår ej. Munstycket är anpassat för en 10mm apparatslang)

## FUNKTIONER I DE OLIKA DRIFTLÄGENA OCH INSTALLATIONS BESKRIVNINGAR

### A. Tillbehör

Efter att du har packat upp produkten kontrollerar du att ovannämnda tillbehör ingår. Kontrollera därefter deras funktion i installationsintroduktionen i denna manual.

### B. Portabel luftkonditionering

G. Fjärrkontrollens utseende och funktion. OBS! - Undvik att tappa fjärrkontrollen i marken. Placera inte fjärrkontrollen på en plats där den utsätts för direkt solljus.

### M. Innan användning

Utför momenten i detta avsnitt innan du använder luftvärmväxlaren:

1) Välj en plats nära ett eluttag.

2) Installera frånluftsslagen och justera fönsterläget noggrant.

3) Se till att ansluta dräneringsslangen ordentligt (endast på modell med uppvärmningsfunktion);

4) Sätt i stickkontakten i ett jordat eluttag, AC220~240V/50Hz;

5) Slå på strömbrytaren (POWER) för att starta luftvärmväxlaren.

H, I och K. Introduktion till installation av frånluftsslang

### A) Tillfällig installation

1. Vrid in båda ändarna på frånluftsslagen i slangkopplingen.

2. Sätt i det fyrkantiga fästclipset i luftutloppet på luftvärmväxlarens baksida

3. Dra den andra änden av frånluftsslagen till en position nära fönsterbrädan.

### N. Installation av fönstersats

Fönstersatsen installeras oftast i något av lägena "horisontell" eller "vertikal". Som visat i Fig. 5 och Fig. 5a ska fönstrets mått kontrolleras före installation.

1. Installera fönstersatsen på fönstret;  
2. Justera längden på fönsterreglagesatsen enligt fönstrets bredd eller höjd och fixera

med pluggen;

3. Dra fönsterkopplingslangen genom hålet i fönstersatsen.

Vattenbehållaren inuti maskinen har en nivåvakt som känner av när behållaren är full. När behållaren är full, stänger maskinen av sig automatiskt och koden E4 visas i displayen. (Om vattenbehållaren är full vänligen ta bort gummipluggen i botten på enheten för att tömma ut vattnet.) Vi rekommenderar att du tappar

**Det är mycket viktigt att filtret rengörs regelbundet; om inte kan luftkonditioneringens kapacitet försämrans och den kan till och med ta allvarlig skada.**

ut vattnet över en golvbrunn, alternativt en ugnsplåt.

Skötselråd och underhåll:

H. Förklaringar till underhåll:Declaration:

1) Före rengöring, se till att koppla bort enheten från strömförsörjningen;

2) Använd inte bensin eller andra kemikalier för att rengöra enheten;

3) Undvik att spola vatten direkt på enheten;

4) Om maskinen är skadad, vänligen kontakta återförsäljaren

### 1. Luftfiltret

- För att förhindra att luftfiltret sätts igen av damm/smuts bör det rengöras varannan vecka. - Demontering Öppna luftinloppsgallret och ta bort luftfiltret.

- Rengöring

Rengör filtret med ett neutralt rengöringsmedel och ljummet vatten (40 °C) och låt lufttorka i skuggan.

- Montering

Sätt i luftfiltret i inloppsgallret och byt ut komponenterna som de var.

### 2. Rengör luftkonditioneringen

Rengör först ytan med ett neutralt rengöringsmedel och en våt trasa.

Eftertorka med en torr trasa.

### I. Före användning

Kontrollera att frånluftsslagen har monterats korrekt.

Försiktighetsåtgärder för kylning och avfuktning: - När du använder funktioner för kylning och avfuktning, håll ett intervall på minst 3 minuter mellan varje påslagning (POWER).

- Strömförsörjningen uppfyller kraven.

- Uttaget är ett växelströmsuttag.

- Dela inte uttag med andra apparater.

- Strömförsörjningen ska vara AC220-240V, 50Hz

1. Sätt på enheten

a) Anslut, enheten piper en gång, "O" Strömindikatorlampan lyser.

b) Tryck på "ON" knappen, enheten slås på.

c) LED-lampan visar rumstemperaturen och under Automatiskt läge.

2. Kylfunktion/Uppvärmning

- Tryck på knappen "Läge" tills ikonen "Cool" (Kylning)/solikon visas.

- Tryck på knappen "+" eller "-" för att välja önskad rumstemperatur. (15 °C - 31 °C)

- Tryck på knappen "Fläkthastighet" för att välja fläkthastighet.

3. Avfuktning

Tryck på knappen "Läge" tills ikonen "Dehumidify" visas. - Ställer automatiskt in den valda temperaturen på rumstemperaturen minus 2 °C.

- Ställer automatiskt in fläktmotorn på fläkthastighet LOW (Låg).

4. Fläktdrift

- Tryck på knappen "Läge" tills ikonen "Fan" (Fläkt) visas.

- Tryck på knappen "Fläkthastighet" för att välja fläkthastighet.

5. Uppvärmning (denna funktion är inte tillgänglig på enkel enhet kylning) - - Tryck på knappen "Läge" tills ikonen "Heat" (Uppvärmning) visas.

- Tryck på knappen "+" eller "-" för att välja önskad rumstemperatur. (15 °C - 31 °C)

- Tryck på knappen "Fläkthastighet" för att välja fläkthastighet.

## FUNKTIONER I DE OLIKA DRIFTLÄGENA OCH INSTALLATIONS BESKRIVNINGAR

### 6. ☺ Timerdrift

a) Tryck på "Timer"-knappen för att ställa in tid för Automatisk avstängning när enheten är igång.

b) Tryck på timerknappen när maskinen är avstängd, för att ställa in en schemalagd start c) Tiden kan ställas in i intervallet 1 timme till 24 timmar.

Tryck på knappen temp upp (+) eller

temp ner (-) för att öka eller minska tiden med 1 timme per knapptryckning.

### 7. ☺ Drift

a) Enheten är igång när den är i läget ☺.

b) Tryck på knappen ☺ i läget ☺, enheten kommer då kommer då att aktivera viloläget (ta bort resten). I viloläget kommer äkten att gå på låg hastighet. Den inställda temperaturen ökar med 1°C efter en timma och ökar temperaturen med 2°C efter två timmar. Efter 6 timmar stänger enheten av. Skulle temperaturen stiga med mer än 2°C över det inställda värdet, kommer maskinen att starta i full drift.

### 8. ↻ Oscillering/swing

a) när knappen Pendla aktiveras svängs pendlingsbladet upp och ner automatiskt. Om du vill stänga av pendlingsläget, trycker du bara på knappen igen.

### Underhåll

Rengör enheten med en fuktig mjuk trasa. Använd inte lösningsmedel eller starka rengöringsmedel eftersom det kan skada ytan på enheten.

### Service

Om luftkonditioneringen behöver servas, måste du först kontakta din lokala återförsäljare. Kvitto måste uppvisas för alla garantianspråk.

### Förvaringsanvisningar

Förvaring efter säsongen

1) Vi rekommenderar att du tappar ut

vattnet över en golvbrunn, alternativt en ugnsplåt/Skruva av dräneringslocket och dra ut proppen för att tömma ut kondensvattnet.

2) Låt enheten vara påslagen i fläktläget en halv dag så att den torkar helt på insidan, detta för att förhindra mögeltillväxt.

3) Stäng av enheten, dra ut kontakten och linda nätsladden runt sladdupprullningsspelaren, sätt i kontakten i universalfästhållet på enhetens baksida, installera vattenproppen och dräneringslocket.

4) Ta bort frånluftsslagen, rengör och förvara den korrekt.

Notera:

Håll i frånluftsslagen med båda händerna när du kopplar från den. Tryck fästena på frånluftsutloppet åt sidan med tummarna och dra sedan ut frånluftsslagen.

### 5) Emballera

luftkonditioneringsaggregatet noggrant med en mjuk plastpåse och ställ den på en torr plats och vidta lämpliga åtgärder för att skydda den mot damm. Se också till att enheten är utom räckhåll för barn.

6) Ta ut batterierna från fjärrkontrollen och förvara dem på lämpligt sätt.

OBS!

Det är viktigt att enheten förvaras på en torr plats.

Alla tillbehör till enheten ska förvaras tillsammans och skyddas ordentligt. Nätsladdshållaren och universaluttaget ger ett bra skydd av nätsladden. Hög placering av frånluftsutloppet, enkel montering och snabb ventilation. Intelligent, miljövänlig och energibesparande med självvaporativa kylsystem.

24-timmars timerfunktion, unik på/av som påminner om musik.

3 minuters fördröjning vid omstart för

att skydda kompressorn och flera andra skyddsfunktioner.

## WiFi-funktion

### 1. Ladda ner och installera appen

Ladda ner Woods Connect-app från App Store eller Google Play

1. Registrera/Logga in/Glömt lösenordet?

Registrera

Om du inte har ett app-konto, kan du skapa ett konto eller logga in med en verifieringskod som du får i ett SMS. Sidan beskriver registreringsprocessen.

1. Klicka för att öppna registreringsidan.  
2. Systemet känner automatiskt igen ditt land/område. Du kan även välja landskod själv. Skriv in mobilnumret/e-postadressen och klicka på "Next".

3. Om du skriver in mobilnumret, anger du verifieringskoden i meddelandet och anger lösenordet, klicka på "Confirm" för att avsluta din registrering.

4. Om du skriver in din e-postadress, anger du lösenordet och klickar på "Confirm" för att avsluta din registrering.

### 2. Logga in med ditt användarnamn och lösenord eller verifieringskod via SMS

Logga in med ditt användarnamn och lösenord

1. Systemet känner automatiskt igen ditt land/område. Du kan också välja din landskod. Ange mobilnumret/E-postadress och tryck på "Next"

2. För att logga in, skriv in mobilnumret eller e-postadressen som du angav när du registrerade enheten samt lösenord

Logga in med verifieringskod

1. Klicka på "Logga in med SMS-verifiering" till ny sida  
2. Systemet känner automatiskt igen ditt land/område.  
Du kan även välja landskod själv.

Glömt lösenordet

Om du har glömt ditt lösenord följer du stegen nedan:

1. Tryck på "Glömt lösenordet"

2. Systemet känner automatiskt igen ditt land/område. Du kan även välja landskod själv. Skriv in mobilnumret/e-postadressen och klicka på "Next"

3 Skriv in verifieringskoden i meddelandet/e-postmeddelandet och skriv in det nya lösenordet, klicka sedan på "Confirm" för att avsluta.

WiFi Woods Connect stöder följande funktioner:

Ström på/Ström av  
Kylläge  
Tyst läge  
Fläktläge  
Eco-läge  
Temperaturinställningar  
Hastighet: Låg, medelhög och hög  
Timer: 1-24 h  
Viloläge: På/Av  
Automatisk rengöring: På/Av  
Celsius/Fahrenheit  
Pendla: På/Av

### 3. Följ procedurerna i appen för att använda WiFi-funktionen.

#### Smart Home

Om du har en Smart Home-produkt slutför du steg 1 till 3.

Åtkomsttjänst för tredje part: Klicka på en ikon för en röststyrningstjänst från tredje part för att se hur du ansluter till tjänsten.

Du hittar dessa ikoner

Smart Home Woods Connect har stöd för röststyrning av följande funktioner:

Ström på/Ström av  
funktionslägen  
Fläktlägen  
Temperaturinställningar

För mer information, besök:  
<https://woods.se/en/>

PROBLEM	ORSAK	ÅTGÄRD
Enheten startar inte när jag trycker på PÅ/AV-knappen	Inte inkopplad/kontakten eller uttaget är skadat.	Anslut eller byt kontakten eller uttaget.
	Säkringen trasig.	Byt ut säkringen (3.15A/250AC)
	Rumstemperaturen är lägre än den inställda temperaturen. (Kylläge)	Återställ temperaturen
Inte tillräckligt svalt	Dörrarna eller fönstren är inte stängda.	Se till att alla fönster och dörrar är stängda.
	Det finns värmekällor i rummet.	Flytta om möjligt värmekällorna
	Frånluftsslangen är inte ansluten eller blockerad.	Anslut eller rengör frånluftsslangen.
	Den inställda temperaturen är för hög.	Återställ temperaturen
Hög ljudnivå	Luftinloppet är blockerat.	Rengör luftinloppet.
	Underlaget är inte jämnt eller tillräckligt plant	Placera om möjligt enheten på plant underlag
	Ljudet kommer från kylmediecirkulationen inuti luftvärmväxlaren	Detta är normalt.
Om du har problem med din luftkonditionering, se felsökningen nedan. Om inget av nedanstående fungerar, kontakta din återförsäljare för att få din luftkonditionering servad.		

FELKODER	ORSAK	ÅTGÄRD
E2 kod	Fel på rumstemperaturgivare eller givaren skadad.	Byt ut rumstemperaturgivaren
E3 kod	Fel på förångartemperaturgivare.	Byt ut förångartemperaturgivaren
E4 kod	Vattenbehållaren full	Töm vattenbehållaren.

**WOOD'S FOR REN OG SUNN INNELUFT**

Varemerket Wood's ble skapt av familien Wood for mer enn 65 år siden, i den kanadiske byen Guelph i Ontario. Det var der Wood's begynte å utvikle og produsere avfuktere i 1950. Siden den tid har Wood's hjulpet flere hundre tusen husholdninger med å forebygge skader som skyldes mugg og fukt, og med å gi dem renere luft. Våre bærbare klimaanlegg er egnet for bruk i de fleste klimaer og har god kapasitet også ved forskjellige temperatur- og fuktighetsnivåer. De brukes med gode resultater på steder der det blir varmt, som i oppholdsrom, kontorer eller soverom. Mengden varm luft som klimaanlegget fjerner, avhenger av temperatur, fuktighetsnivå og plassering. Eksterne værforhold kan også påvirke klimaanleggets ytelse.


Wood's klimaanlegg er trygge å bruke og ment til kontinuerlig bruk i mange år.

**HVORDAN FUNGERER KLIMAAANLEGGET?**

Lavt trykk gir kald luft  
Hovedelementet i klimaanlegget er et kjølemiddel, som omdannes til gass ved lavt trykk. Prosessen «skaper kulde», som overføres innover, samtidig som den varme luften holdes ute.  
Et flytende kjølemiddel føres gjennom en ekspansjonsventil og inn i et rør der trykket er lavt.  
Kjølemiddelet fordampes og blir til gass. Prosessen absorberer varme fra omgivelsene, og røret avkjøles.  
En vifte blåser den kalde luften ut i rommet.  
Gassen føres gjennom en kompressor, som øker trykket og omdanner gassen til væske.  
I denne prosessen frigjøres varme, som føres til rør på motsatt side og blåses ut av en vifte.  
En termostat slår av enheten når inneluften er tilstrekkelig kald.

**1. SIKKERHETSADVARSLER**

Brennbart materiale. Denne enheten inneholder det brennbare kuldemediet R290/propan.

 Du finner sikkerhetsinformasjon i denne bruksanvisningen.

 Les den tekniske håndboken

 Les bruksanvisningen.

**SIKKERHETSINFORMASJON**

Les de vedlagte anvisningene nøye før utstyret installeres og brukes. Fabrikanten er ikke ansvarlig dersom feilaktig installering og bruk forårsaker skade på personer eller eiendom. Oppbevar alltid bruksanvisningen sammen med enheten til fremtidig bruk.

**Sikkerheten til barn og sårbare mennesker**

**ADVARSEL** 

Fare for personskade eller varig uførhet.

Denne enheten kan brukes av barn fra 8 år og oppover og av personer med nedsatte fysiske, sensoriske eller mentale evner eller manglende erfaring og kunnskap, såfremt de har tilsyn eller har fått innføring i hvordan enheten brukes på en trygg og sikker måte, og

at de er klar over de farer bruken medfører.  
Ikke la barn leke med enheten.

Barn under 3 år bør holdes unna enheten hvis de ikke har konstant tilsyn.  
Oppbevar alt emballasjemateriale utilgjengelig for barn.  
Rengjøring og vedlikehold skal ikke utføres av barn uten tilsyn.

**Generell sikkerhet**

Denne enheten skal brukes i private hjem og liknende, som stuer, oppholdsrom, pauserom i butikker, kontorer og andre arbeidsmiljøer. Merkeplaten er plassert på siden eller baksiden av klimaanlegget.  
Sørg for at ventilasjonsåpningene ikke er tildekket.

Ikke bruk mekanisk utstyr eller annet for å fremskynde avrimingsprosessen. Følg fabrikantens anvisninger.  
Enheden skal ikke oppbevares i rom der det finnes antenneskilder (for eksempel åpen ild, gassdrevet utstyr eller elektrisk varmeovn i drift). Må ikke punkteres eller brennes.

Vær oppmerksom på at kuldemedier kan være helt uten lukt. Ikke rengjør enheten med vandusj og damp.  
Rengjør enheten med en fuktet myk klut. Bruk kun nøytrale rengjøringsmidler. Ikke bruk skuremidler, skuresvamp, løsemidler eller metallgjenstander.  
Hvis strømledningen skades, må den skiftes ut av fabrikanten, dennes autoriserte servicesenter

eller tilsvarende kvalifiserte personer for å unngå fare.

**SIKKERHETSANVISNINGER**

**Installasjon**  
**ADVARSEL** 

Denne enheten må kun installeres av en kvalifisert person.  
Fjern all emballasje.  
Ikke installer eller bruk en skadet enhet. Enheten skal installeres, brukes og oppbevares i et rom med en gulvflate større enn 4 m<sup>2</sup> til 4,2 m<sup>2</sup> (7k), 7,7 m<sup>2</sup> (9K), 9,6 m<sup>2</sup> (12K). Følg monteringsanvisningen som leveres med enheten.  
Vær alltid forsiktig når du flytter enheten ☒ den er tung!  
Bruk alltid vernehansker. Vær oppmerksom på at kuldemedier kan være helt uten lukt.

Påse at luften kan sirkulere rundt enheten.  
Vent i minst 4 timer før enheten tilkoples strømmettet. Dette er for at oljen skal kunne renne tilbake i kompressoren.  
Ikke installer enheten nær radiatorer eller andre varmekilder.  
Ikke installer enheten slik at den blir stående i direkte sollys.

**Strømtilkobling**

**ADVARSEL** 

Brann- og støtfare.  
Enheden må koples til en jordet stikkontakt.  
Kontroller at informasjonen på merkeplaten stemmer med strømforsyningen. Hvis ikke må du kontakte elektriker.  
Bruk alltid korrekt montert

stikkontakt.  
Ikke bruk grenuttak og skjøteledninger.  
Pass på at de elektriske komponentene (f.eks. støpsele, strømledning) ikke skades.  
Kontakt autorisert servicesenter eller elektriker for å få skiftet de elektriske komponentene.  
Strømledningen må ligge lavere enn støpselet.  
Ikke plugg støpselet i stikkontakten før installeringen er fullført.  
Påse at støpselet er tilgjengelig når installeringen er fullført.  
Ikke dra i ledningen for å trekke ut støpselet. Hold alltid i støpselet.

**Bruk**

**ADVARSEL** 

Fare for personskade, brannskade, elektrisk støt eller brann.  
Enhets spesifikasjoner må ikke endres.

Pass på at kjølekretsen ikke blir skadd. Den inneholder propan (R290), en naturgass med god miljøkompatibilitet. Denne gassen er antenbar.

Hvis det oppstår skade på kjølekretsen, må man påse at det ikke er flammer og antenneskilder i rommet. Luft ut rommet.  
Ikke legg antenbare produkter eller gjenstander våte av antenbare produkter nær eller på enheten.

**Avfallshåndtering**

**ADVARSEL** 

Fare for personskade.  
Kople enheten fra strømmettet.  
Klipp av strømledningen og kast den.  
Denne enhetens kjølemediumkrets er miljøvennlig. Ta kontakt med den lokale gjenvinningsstasjonen for å få informasjon om korrekt kassering av enheten.  
Ikke skad den delen av kjøleenheten som er nærmest varmeveksleren.

## KLARGJØR KLIMAAANLEGGET FOR INSTALLASJON

### 2. Installasjon

#### FØR FØRSTE GANGS BRUK

La enheten stå oppreist i 2 timer før den tas i bruk. Det skal gjøres for at olje som kan ha lekket inn i kjølesystemet, kan strømme tilbake til kompressoren. (Samme som for et kjøleskap)

#### Viktig

1. Det er enkelt å flytte dette klimaanlegget rundt innendørs. Hold enheten i oppreist stilling mens du flytter på den. Klimaanlegget skal stå på et flatt underlag.

Dette klimaanlegget må ikke installeres eller brukes i badrom eller andre våtrom.

Ettersom et bærbart klimaanlegg går på hjul, er det enkelt å flytte. Når et rom blir varmt, flytter du bare det bærbare klimaanlegget til rommet for å avkjøle det.

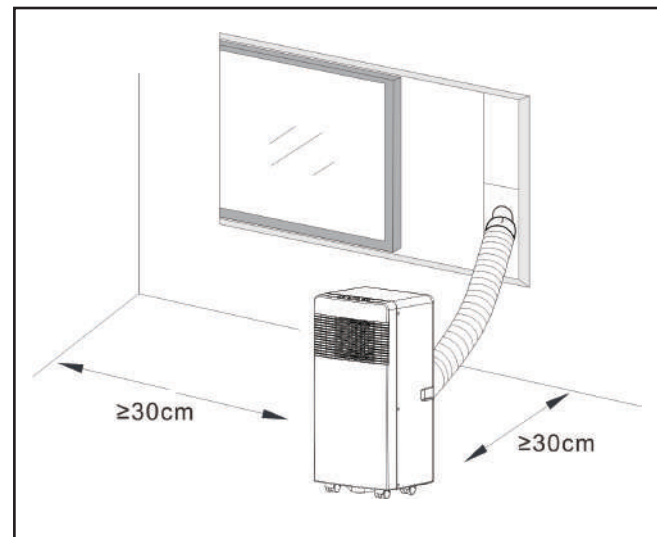
For optimal effektivitet bør klimaanlegget brukes i et lukket rom. Lukk alle dører, vinduer og andre åpninger til rommet.

Selv om du har god ventilasjon eller store vinduer med direkte sollys, kan det påvirke kjøleeffekten.

2. Plasser klimaanlegget på et sted der luftstrømmen fra fronten ikke blir begrenset.

3. Klimaanlegget vil ha liten eller ingen effekt på tørking av et tilstøtende, lukket oppbevaringsrom, for eksempel garderobeskap, hvis luften ikke kan sirkulere inn og ut. Et bærbart klimaanlegg slipper ut varmen fra enheten via en ventilasjonsslange gjennom et vindu eller en luftventil.

4. Det skal være minst 30 cm avstand mellom klimaanlegget og det nærmeste objektet. Se referansebildet.



## PRODUKTBEKRIVELSE

### 3. Produktbeskrivelse

- |   |  |  |
|---|--|--|
| <p><b>A</b></p> <ol style="list-style-type: none"> <li>Eksosslange</li> <li>Tilkobling for eksosslangen til klimaanlegget</li> <li>Tilkobling for eksosslangen til vindusskinne</li> <li>Fjernkontroll</li> <li>Vindusskinne</li> <li>Vannplugg</li> <li>Batterier</li> <li>Vannrør<br/>Lengde: 1m<br/>Diameter: 10mm</li> </ol> <p><b>B</b></p> <ol style="list-style-type: none"> <li>Bilde av forsiden av produktet</li> </ol> <p><b>C</b></p> <ol style="list-style-type: none"> <li>Kontrollpanel</li> <li>Utløp for kald luft</li> <li>Signalmottaker</li> <li>Fjernkontroll</li> <li>Transporthåndtak</li> <li>Luftutløpslange</li> <li>Luftinntak for fordamper</li> <li>Dreneringsutløp</li> </ol> <p><b>D</b></p> <ol style="list-style-type: none"> <li>Bilde av toppen av produktet</li> </ol> <p><b>E</b></p> <ol style="list-style-type: none"> <li>+ Timer/ temperatur opp</li> <li>- Timer/ temperatur ned</li> <li>AUTO   Automatisk kjøling, Oppvarming</li> <li> Avfukking, viftemodus</li> <li> Deaktiveringsmodus og barnesikring</li> <li> Oscillasjon/dreining</li> <li> Timer</li> <li> Driftsmodus</li> <li> Viftehastighet (lav/høy)</li> <li> Strømknapp (av/på)</li> <li> Indikatorlampe for valgt viftehastighet</li> <li> Driftsindikator (lyser når enheten er i drift)</li> <li> Indikatorlampe for barnesikring og deaktiveringsmodus.</li> <li> WiFi</li> </ol> | <p><b>F</b></p> <ol style="list-style-type: none"> <li>Instruksjoner for rengjøring av filter.</li> </ol> <p><b>G</b></p> <ol style="list-style-type: none"> <li> KNAPP<br/>Strøm på/av</li> <li> KNAPP<br/>Trykk på denne knappen for å velge driftsmodus.</li> <li> KNAPP<br/>Brukes til å velge viftehastighet.</li> <li> og  JUSTERINGSKNAPPER<br/>som brukes til å justere romtemperaturen og tidsuret.</li> <li> KNAPP<br/>Brukes til å angi eller avbryte  driftsmodus.</li> <li> KNAPP<br/>Brukes til å velge tid for automatisk AV og PÅ.</li> <li> KNAPP<br/>Brukes til å angi oscillasjons-/dreiefunksjonen.</li> </ol> <p><b>H</b></p> <ol style="list-style-type: none"> <li>Vri endene av eksosslangen inn i koblingene som vist.</li> </ol> <p><b>I</b></p> <ol style="list-style-type: none"> <li>Monteringsinstruksjoner for eksosslange</li> </ol> | <p><b>J</b></p> <ol style="list-style-type: none"> <li>Monteringsanvisninger for vindusskinne<br/>MERK: Denne vindusskinne egner seg ikke for alle typer vinduer. Vi anbefaler Wood's vindustetningssett (artikkelnummer: wac_wk) hvis denne skinnen ikke passer.</li> </ol> <p><b>K</b></p> <ol style="list-style-type: none"> <li>Forslag til montering av vindusskinne</li> </ol> <p><b>L</b></p> <ol style="list-style-type: none"> <li>Monteringsanvisninger for dreneringsslange (MERK: Slange følger ikke med. Dysen er tilpasset en slange på 10mm)</li> </ol> |
|---|--|--|

## BESKRIVELSER AV DRIFTSMODUSER OG INSTALLASJON

### A. Tilbehør

Når du har pakket ut produktet, må du kontrollere at tilbehøret medfølger. Du finner informasjon om hvordan de skal installeres i denne bruksanvisningen. Tilbehør nr. 6 er allerede montert nederst på baksiden av enheten.

### B. Bærbart klimaanlegg

G. Fjernkontrollens utseende og funksjoner.

Merk: Ikke mist fjernkontrollen. Fjernkontrollen må ikke utsettes for direkte sollys.

### A. Bruksanvisning

Før du begynner å bruke enheten:

1) Plasser klimaanlegget på et sted der du har tilgang til en jordet stikkontakt like i nærheten.

2) Installer eksosslangen, og juster vindusposisjonen.

3) Koble strømledningen til en jordet stikkontakt, 220–240 V / 50 Hz AC.

4) Trykk på strømknappen for å slå på klimaanlegget.

### H, I og K. Montering av eksosslange

### M) Midlertidig montering

1. Vri begge ender av eksosslangen inn i slangekoblingene.
2. Før det firkantede festet inn i luftutløpet på baksiden av enheten.
3. Plasser den andre enden av eksosslangen nær vinduskarmen.

### J&K: Montere vindussett

Vindussettet monteres vanligvis horisontalt eller vertikalt. Som vist i figur 5 og 5a, må du kontrollere vinduets min. og maksstørrelse før montering.

1. Monter vindussettet i vinduet.
2. Juster lengden på vindussettet etter vinduets bredde eller høyde, og fest det med tappen.
3. Fest slangebraketten til hullet i

### vindusskinnen

O. Alarm for full innvendig vannbeholder  
Vannbeholderen inne i enheten har en nivåvakt som registrerer når tanken er full. Når beholderen er full, slås enheten av automatisk av og koden E4 vises på displayet.

(Hvis vanntanken er full, må du fjerne gummiproppen på bunnen av enheten for å slippe ut vannet.) Vi anbefaler at du slipper ut vannet over et gulvavløp, eller alternativt en ovnsplanne, og beholderen er full, må du fjerne

**Det er svært viktig at filteret rengjøres regelmessig, slik at klimaanlegget ikke mister kapasitet eller blir skadet.**

gummiproppen på bunnen av enheten for å slippe ut vannet.)

### Informasjon om stell og vedlikehold:

- 1) Trekk ut støpselet før rengjøring.
- 2) Produktet må ikke rengjøres med bensin eller andre kjemikalier.
- 3) Unngå å skylle vann direkte på enheten

4) Hvis enheten er skadet, ta kontakt med forhandleren

1. Luftfilteret  
– Hvis luftfilteret blir tilstoppet av støv og smuss, må det rengjøres en gang hver andre uke.  
– Demontering  
Åpne luftinntaket, og fjern luftfilteret.  
– Rengjøring  
Rengjør luftfilteret med nøytralt vaskemiddel og lunkent vann (40 °C), og la det tørke i skyggen.

– Montering  
Plasser luftfilteret i luftinntaket, og monter komponentene igjen.

2. Rengjør overflaten med en nøytral såpe og en våt klut før du tørker over den med en tørr klut.
- E. Før bruk

### Kontroller at eksosslangen er montert.

Forholdsregler for kjøling og avfukking:  
– Når du bruker kjøling og avfukking, må det være en intervall på minst 3 minutter mellom dem

### STRØM.

– Strømforsyningen oppfyller kravene.

– Stikkkontakten er AC.

– Ikke del stikkontakt med andre apparater.

– Strømforsyningen er AC 220–240 V, 50 Hz

1. Slå på enheten

a) Koble til enheten. Den piper én gang, og «O» strømindikatoren lyser.

b) Trykk på knappen «U». Nå er enheten slått på.

c) LED-displayet viser romtemperaturen og automatisk modus.

### 2. Kjøling/Oppvarming drift

– Trykk på modusknappen til snøfnuggikonet/Solikon vises på displayet.

– Trykk på knappen «+» eller «-» for å velge romtemperatur. (15–31 °C)

– Trykk på viftehastighetsknappen for å velge hastighet.

### 3. Avfukking

Trykk på modusknappen til avfuktingsikonet vises.

– Setter automatisk valgt temperatur til aktuell romtemperatur minus 2°C.

– Setter automatisk viftemotoren til lav hastighet.

### 4. Betjene viften

– Trykk på knappen Mode til vifteikonet vises.

– Trykk på viftehastighetsknappen for å velge hastighet.

### 5. ☺ Bruke tidsur

a) Trykk på knappen «Timer» for å velge hvor lenge enheten skal gå før den slås av.

b) Trykk på knappen «Timer» for en automatisk start.

c) Tiden kan justeres mellom 1 og 24 timer.

Trykk på knappen temperatur opp (+) eller temperatur ned (-) for å øke eller redusere

## BESKRIVELSER AV DRIFTSMODUSER OG INSTALLASJON

tiden med én time per trykk.

### 6. ☺ Bruk

a) Enheten ☺ er effektiv når den er i ❄-modusen.

b) Trykk på knappen ☺ i ❄-modusen for å aktivere deaktivertmodus. I deaktivertmodus vil viften kjøre på lav hastighet. Den angitte temperaturen øker med 1 °C etter én time og temperaturen øker med 2 °C etter to timer. Etter 6 timer slås enheten av. Skulle temperaturen stige med mer enn 2 °C over den angitte verdien, vil enheten starte i full drift.

### 7. ⚡ Oscillasjon / dreining

a) Når knappen oscillasjon/dreining er aktivert, vil bladene dreie opp og ned automatisk. Trykk på knappen igjen for å stoppe dem.

### Service

Når klimaanlegget trenger service, må du først ta kontakt med forhandleren. Du må fremlegge kvittering ved garantikrav.

### Instruksjoner for oppbevaring

### Oppbevaring på slutten av sesongen

1) Vi anbefaler at du slipper ut vannet over et gulvavløp, eller alternativt en stekeplate. Skru av dreneringsdekslet og trekk ut pluggen for å tømme enheten for alt kondensvann.

2) Kjør enheten i viftemodus en halv dag for å tørke den helt innvendig og forebygge muggdannelse.

3) Slå av enheten, trekk ut proppen, vikle opp strømledningen og fest støpselet i universalhullet på enhetens bakpanel, sett i dreneringspluggen og sett på dreneringsdekslet.

4) Fjern eksosslangen for varmluft, rengjør den og oppbevar den forsvarlig.

Merk:

Skyv inn brakettene,

Hold eksosslangen med begge hender når du fjerner den.

Bruk tomlene til å skyve festene på eksosuttaket til side, og trekk ut eksosslangen.

5) Pakk klimaanlegget forsiktig inn i myk plast og oppbevar det på et tørt sted, sørg for at det ikke slipper inn støv. Oppbevar enheten utilgjengelig for barn.

6) Ta ut batteriene av fjernkontrollen, og oppbevar dem forsvarlig.

Merk:

\*Påse at enheten oppbevares på et tørt sted.

Alt tilbehør til enheten må oppbevares sammen og beskyttes forsvarlig.

\* Holderen til strømledningen og universalkontakten gir god beskyttelse for strømledningen.

\* Høy plassering av eksosutløpet sikrer enkel montering og rask ventilering.

\* Enhetens selvførdampende kjølesystem er intelligent, miljøvennlig og strømsparende.

\* Har en 24-timers tidsurfunksjon med en unik på/av-påminnelse lyd.

\* Det er en 3-minutters forsinkelse ved omstart av kompressoren som en beskyttelsesfunksjon.



## WiFi-funksjon

### 1. Last ned og installer APP

Last ned Woods Connect-appen fra App Store eller Google Play

1. Registrering/Pålogging/Glemt passord

#### Registrering

Hvis du ikke har en App-konto, kan du registrere en konto eller logge på med en bekreftelseskode du får på SMS.

På denne siden beskrives registreringsprosessen.

2. Trykk for å åpne registrerings siden.

3. Systemet gjenkjenner land/område automatisk. Du kan også velge landskoden. Skriv inn mobilnummer/ e-postadresse og trykk på «Neste».

4. Hvis du har angitt mobilnummeret, skriver du inn bekreftelseskode fra meldingen, og skriver inn passordet. Trykk på «Bekreft» for å fullføre registreringen.

5. Hvis du har angitt e-postadressen, skriver du inn passordet og trykker på «Bekreft» for å fullføre registreringen.

### 2. Logg på med brukernavn og passord eller bekreftelseskode via SMS

#### Pålogging med brukernavn og passord

1. Systemet gjenkjenner land/område automatisk. Du kan også velge landskoden. Skriv inn mobilnummer/ e-postadresse og trykk på «Neste»

2. Skriv inn det registrerte mobilnummeret eller e-postadressen samt passord for å logge deg på.

#### Pålogging med bekreftelseskode

1. Trykk på «Logg på med SMS-bekreftelse» til ny side.  
2. Systemet gjenkjenner land/område automatisk.  
Du kan også velge landskoden selv.

#### Glemt passord

Følg disse anvisningene hvis du har glemt passordet ditt:

1. Trykk på «Glemt passord».

2. Systemet gjenkjenner land/område automatisk. Du kan også velge landskoden selv. Skriv inn mobilnummer/e-postadresse og trykk på «Neste».

3. Skriv inn bekreftelseskode i meldingen/e-posten og skriv inn det nye passordet. Trykk på «Bekreft» for å fullføre.

#### WiFi Woods Connect støtter følgende funksjoner:

- Slå enheten på/av
- Kjølemodus
- Avfuktingsmodus
- Viftmodus
- Økomodus
- Temperaturinnstillinger
- Hastighet: Lav og høy
- Tidsur: 1–24 t
- Deaktivering: På/av
- Automatisk rengjøring: På/av
- Celsius/Fahrenheit
- Dreining: På/av

### 3. Følg anvisningene i appen for å bruke WiFi-funksjonene.

#### Smart Home

Utfør trinnene 1 til 3 hvis du har et Smart Home-produkt.

Tredjepartstilgang: Trykk på et ikon for taletjeneste fra tredjepart for å se hvordan du kan kople til tjenesten.

Smart Home Woods Connect støtter følgende funksjoner ved stemmekommando:

#### Slå enheten på/av Temperaturinnstillinger Modusinnstillinger Innstillinger for viftehastighet

Hvis du vil ha mer informasjon, kan du gå til:

<https://woods.se/en/>

PROBLEM	ÅRSAK	TILTAK
Enheden starter ikke når jeg trykker på av/på-knappen	Ikke koblet til / støpselet eller stikkontakten er skadet.	Koble til, eller bytt stikkontakt eller støpsel.
	En sikring har gått eller er ødelagt.	Bytt sikringen (3,15 A/250 V AC).
	Romtemperaturen er lavere enn den innstilte temperaturen. (kjølemodus)	Tilbakestill temperaturen.
Ikke kjølig nok	Dørene eller vinduene er ikke lukket.	Påse at vinduene og dørene er lukket.
	Det er varmekilder i rommet.	Fjern varmekildene hvis det er mulig.
	Eksosslangen er ikke koblet til, eller den er tett.	Koble til eller rengjør eksosslangen.
	Temperaturen er stilt inn for høyt.	Tilbakestill temperaturen.
	Luftinntaket er blokkert.	Rengjør luftinntaket.
Høyt støynivå	Underlaget er ikke flatt nok.	Plasser enheten på flatt og jevnt underlag
	Lyden kommer fra kjølemediet inne i enheten	Det er helt normalt.
Hvis du opplever problemer med det bærbare klimaenlegget, kan du forsøke å feilsøke. Hvis ingen av tiltakene fungerer, må du kontakte forhandleren for å få service på klimaenlegget.		

Feilkoder	ÅRSAK	TILTAK
E2-kode	Romtemperatursensoren er skadet eller ødelagt.	Bytt romtemperatursensor.
E3-kode	Feil i fordampertemperatursensor.	Bytt fordampertemperatursensor.
E4-kode	Vannbeholderen er full.	Tøm vannbeholderen.

## Garanti

2 års garanti mot produksjonsfeil. Garantien gjelder kun ved fremvisning av kvittering. Garantien gjelder kun hvis produktet har blitt brukt i samsvar med instruksjonene og sikkerhetsanvisningene i denne bruksanvisningen. Garantien dekker ikke skader som skyldes feil bruk av produktet.

**MERK:** Garantien på to år gjelder ikke ved kommersiell bruk av enheten.



### MERK:

Registrer produktet på [www.warranty-woods.com](http://www.warranty-woods.com) og les om hvordan du kan få utvidet garanti. Gå til [www.woods.se](http://www.woods.se) hvis du vil ha mer informasjon.

### Anbefalte bruksgrenser

Den beste omgivelsestemperaturen for kjøling er 17–35 °C,  
Sikringsparameter:  $\phi 5,0 \times 20\text{mm}$   
3,15A, 250 V AC.

## TEKNISKE DATA

	AC Milan 7K Duo WiFi Smart Home	AC Milan 9K Duo WiFi Smart Home
Kjølekapasitet/Varmekapasitet	2000 W/1500 W	2600 W/2000 W
Strømforbruk	750 W/600 W	950 W/750 W
Luftstrøm:	350 m <sup>3</sup> /t	350 m <sup>3</sup> /t
Energiklasse	A	A
Avfukting	19 l / 24 t	24 l / 24 t
Temperaturinnstilling	15–31 °C	15–31 °C
Arbeidstemperatur	16–43 °C	16–43 °C
EER	2,6	2,7
Lengde på eksosslange	1,5 m	1,5 m
Diameter på utblåsingrør	155 mm	155 mm
Kuldemedium	R290 / 100 g	R290 / 160 g
Støynivå i desibel	51 dB	51 dB
Vekt	22,5 kg	24,5 kg
Mål i mm, L x B x H	355 x 350 x 700	355 x 350 x 700

\*Tekniske endringer og forbedringer kan forekomme. Alle verdier er omtrentlige og kan variere med eksterne forhold som temperatur, ventilasjon og luftfuktighet.



\*Denne merkingen indikerer at dette produktet ikke skal fjernes sammen med annet husholdningsavfall i hele EU. For å unngå mulig skader på miljø og helse som følge av ukontrollert avfallshåndtering, skal apparatet resirkulere på ansvarlig måte for å fremme bærekraftig gjenbruk av ressursene. For å returnere apparatet kan du bruke retur- og innsamlingsystemet eller ta kontakt med forhandleren der produktet ble kjøpt. De kan resirkulere dette produktet på en miljøvennlig måte.



\*Brukte batterier må ikke kastes sammen med husholdningsavfallet, siden de kan inneholde giftige elementer og tungmetaller som kan være skadelige for miljø og helse. Lever tomme batterier på et egnet resirkuleringsanlegg.

## WOOD'S SØRGER FOR REN OG SUND INDELUFT

Brandet Wood's blev skabt af familien Wood's for over 65 år siden i den canadiske by Guelph i Ontario. Her begyndte Wood's at udvikle og fremstille affugtere i 1950. Siden da har Wood's hjulpet flere hundrede tusinde husstande med at undgå skader fra skimmelsvamp og fugt og gøre indeluften renere. Vores transportable klima anlæg er velegnede til brug i de fleste klimaer, hvor kapaciteten er god selv ved forskellige temperaturer og fugtighedsgrader. De bruges med gode resultater i lokaler, der bliver varme, såsom stuer, kontorer og soveværelser. Mængden af varm luft, som klima anlægget fjerner, afhænger af temperatur, fugtighed og placering. Ydre vejrforhold kan også påvirke klima anlæggets ydelse.

Klima anlæg fra Wood's er driftssikre og beregnet til kontinuerlig brug i mange år.

## HVORDAN FUNGERER KLIMAANLÆGGET?

Lavt tryk giver kold luft. Hovedelementet i klima anlægget er et kølemiddel, som under lavt tryk omdannes til gas. Processen "skaber kulde", som føres indad, mens den varme luft holdes ude. Et flydende kølemiddel løber gennem en ekspansionsventil og ind i et rør, hvor trykket er lavt. Køle midlet fordampes og bliver til gas. Processen absorberer varme fra omgivelserne, og røret afkøles. Blæseren blæser den kolde luft ind i lokalet. Gassen passerer gennem en kompressor, som øger trykket og omdanner gassen til væske. I denne proces frigives varme, som føres til rør på den modsatte side og blæses ud af en ventilator. En termostat slukker for enheden, når indeluften er kold nok.

## 1. SIKKERHEDSADVARSLER



Brændbart materiale. Dette apparat indeholder R290/propan, som er et brændbart kølemiddel.



Sikkerhedsoplysninger kan ses i manualen.



Læs den tekniske vejledning.



Læs betjeningsvejledningen.

### SIKKERHEDSOPLYSNINGER

Læs de medfølgende instruktioner omhyggeligt, inden apparatet installeres og tages i brug. Producenten er ikke ansvarlig, hvis forkert installation og brug forårsager person- og tingskade. Opbevar altid vejledningen sammen med apparatet til fremtidig reference.

### Børns og udsatte personers sikkerhed



#### ADVARSEL

Risiko for personskade eller permanent funktionsnedsættelse. Dette apparat kan anvendes af børn i alderen 8 år og derover samt personer med nedsatte fysiske, sensoriske eller mentale evner eller manglende erfaring og viden, hvis de superviseres eller har fået instruktion i at bruge apparatet på en sikker måde og forstår, hvilken

fare det indebærer. Lad ikke børn lege med apparatet.

Børn under 3 år skal holdes væk fra apparatet, medmindre de hele tiden overvåges.

Al emballage skal holdes væk fra børn.

Rengøring og brugervedligeholdelse må ikke foretages af børn uden opsyn.

### Generelle sikkerhedsforskrifter

Dette apparat er beregnet til brug i husholdninger og til lignende anvendelser, for eksempel stuer, tv-stuer, personalekøkkener i butikker, kontorer og andre arbejdsmiljøer. Mærkepladen er placeret på siden af eller bag på klima anlægget. Ventilationsåbningerne må ikke blokeres.

Der må ikke anvendes mekaniske anordninger eller andre midler til at fremskynde afrimningsprocessen, bortset fra dem, producenten anbefaler.

Apparatet må ikke opbevares i et lokale, hvor der anvendes antændingskilder, for eksempel åben ild, gasapparater eller et elektrisk varmeapparat. Må ikke punkteres eller brændes. Vær opmærksom på, at køle midler ikke nødvendigvis kan lugtes. Brug ikke vand eller damp til at rengøre apparatet. Rengør apparatet med en fugtig, blød klud. Brug kun neutrale rengøringsmidler. Brug ikke slibemidler, slibende rengøringsvampe, opløsningsmidler eller metalgenstande.

Hvis elledningen er beskadiget, skal den udskiftes af fabrikanten, et autoriseret servicecenter eller en tilsvarende kvalificeret person for at undgå fare.

## SIKKERHEDSANVISNINGER

### Installation ADVARSEL

Dette apparat må kun installeres af en kvalificeret person.

Fjern al emballagen.

Apparatet må ikke installeres eller anvendes, hvis det er beskadiget.

Apparatet skal installeres, betjenes og opbevares i et lokale med et gulvareal, der er større end 4 m<sup>2</sup> til 4,2 m<sup>2</sup> (7k), 7,7 m<sup>2</sup> (9K), 9,6 m<sup>2</sup> (12K). Følg installationsvejledningen, der følger med apparatet.

Vær altid forsigtig, når du flytter apparatet, da det er tungt. Brug altid sikkerhedshandsker. Vær opmærksom på, at kølemidler ikke nødvendigvis kan lugtes.

Sørg for, at luften kan cirkulere omkring apparatet.

Vent mindst 4 timer, før apparatet tilsluttes til strømforsyningen.

Dette er for at give olien mulighed for at flyde tilbage i kompressoren.

Apparatet må ikke installeres tæt på radiatorer eller andre varmekilder.

Apparatet må ikke installeres et sted, hvor der er direkte sollys.

### Elektrisk tilslutning

#### ADVARSEL

Risiko for brand og elektrisk stød.

Apparatet skal tilsluttes til en jordet stikkontakt.

Sørg for, at strømplysningsnerne på mærkepladen er i overensstemmelse med strømforsyningen. Hvis ikke, skal du kontakte en elektriker. Brug altid en korrekt installeret og stødsikker stikkontakt.

Brug ikke adaptore til flere stik og forlængerkabler.

Sørg for ikke at beskadige de elektriske komponenter (f.eks. netstik, strømkabel).

Kontakt et autoriseret servicecenter eller en elektriker for at ændre de elektriske komponenter.

Netkablet skal forblive under netstikkets niveau.

Tilslut først netstikket til stikkontakten som det sidste i forbindelse med installationen.

Sørg for, at der er adgang til netstikket efter installationen.

Træk ikke i strømkablet for at frakoble apparatet. Træk altid i netstikket.

### Anvendelse

#### ADVARSEL

Risiko for personskade, forbrændinger, elektrisk stød eller brand.

Du må ikke ændre specifikationen for dette apparat.

Pas på ikke at beskadige kølemiddelkredsløbet. Det indeholder propan (R290), som er en naturgas med en høj grad af miljøvenlighed. Denne gas er brændbar.

Hvis der opstår skader på kølemiddelkredsløbet, skal du sørge for, at der ikke er flammer og

antændelseskilder i lokalet. Udluft lokalet.

Placer ikke brændbare produkter eller genstande, der er gennemvædet med brændbare væsker, i nærheden af eller på apparatet.

### Bortskaffelse

#### ADVARSEL

Risiko for personskade.

Træk apparatets stik ud af stikkontakten.

Fjern strømkablet, og kassér det.

Kølemiddelkredsløbet i dette apparat er ozonvenligt. Kontakt kommunen for at få oplysninger om korrekt bortskaffelse af produktet.

Den del af køleenheden, der er i nærheden af varmeveksleren, må ikke beskadiges.

## INSTALLATION AF KLIMAANLÆGGET

### 2. Installation

#### INDEN BRUG FØRSTE GANG

Lad apparatet stå oprejst i 2 timer inden brug. Dette er for at give den olie, der måtte være løbet ud i kølesystemet, mulighed for at flyde tilbage i kompressoren. (Det er ligesom med et køleskab).

#### Vigtigt

1. Klimaanelægget kan nemt flyttes rundt indendørs. Hold apparatet i oprejst stilling, når det flyttes. Klimaanelægget skal placeres på en plan flade. Klimaanelægget må ikke installeres eller anvendes i et badeværelse eller vådmiljø.

Eftersom det transportable klimaanelæg har hjul, er det nemt at flytte rundt på det. Når lokalet bliver varmt, skal du blot flytte det transportable klimaanelæg ind i lokalet for hurtigt at sætte gang i køling af lokalet.

Klimaanelægget skal anvendes i et lukket område for at være mest effektivt.

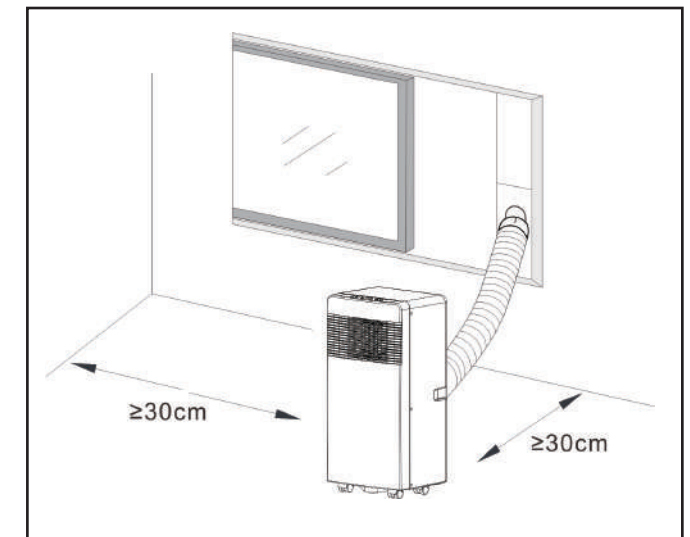
Luk alle døre, vinduer og andre åbninger til lokalet.

Hvis der er høj ventilation eller store vinduer med direkte sollys, kan det påvirke køleeffekten.

2. Placer klimaanelægget et sted, hvor luftstrømmen gennem apparatets front ikke begrænses.

3. Et klimaanelæg, der anvendes i et rum, har ringe eller ingen effekt på tørring af et tilstødende lukket opbevaringsområde, såsom et skab, medmindre der er tilstrækkelig luftcirkulation ind og ud af området. Varmen i det transportable klimaanelæg fjernes med en ventilationsslange, der føres ud af et vindue eller en udluftningsventil.

4. Der bør være mindst 30 cm afstand mellem klimaanelægget og nærmeste genstand. Se billedet.



## PRODUKTBEKRIVELSE

### 3. Produktbeskrivelse

- A**
1. Aftræksslange
  2. Beslag til tilslutning af aftræksslagen til klimaanlægget
  3. Beslag til tilslutning af aftræksslagen til vinduesskinne
  4. Fjernbetjening
  5. Vinduesskinne
  6. Vandprop
  7. Batterier
  8. Vandrør  
Længde: 1 m  
Diameter: 10 mm
- B**
1. Billede af produktets forside
- C**
1. Betjeningspanel
  2. Udtag til kold luft
  3. Signalmodtager
  4. Fjernbetjening
  5. Transporthåndtag
  6. Luftudtagslange
  7. Luftindtag på fordampner
  8. Afløb
- D**
1. Billeder af produktets overdel
- E**
1. Timer/temperatur op
  2. Timer/temperatur ned
  3. Automatisk, køling, Opvarmning
  4. affugtning, blæsertilstand
  5. Dvaletilstand og børnelås
  6. Svingningsfunktion
  7. Timer
  8. Driftstilstand
  9. Blæserhastighed (lav/høj)
  10. Indikator for valgt blæserhastighed
  11. Strømindikator (lyser, når apparatet er i drift)
  12. Indikator for børnelås og dvaletilstand
  13. Wi-fi

- F**
1. Anvisninger i rengøring af filternet.
- G**
1. K NAP  
Tænd/sluk
  2. K NAP  
Tryk på denne knap for at vælge driftstilstand.
  3. K NAP  
Bruges til at vælge blæserhastighed i sekvens.
  4. INDSTILLINGSKNAPPER  
Bruges til at justere rumtemperaturen og timeren.
  5. K NAP  
Bruges til at indstille eller annullere -tilstand.
  6. K NAP  
Bruges til at indstille tid for automatisk FRA og automatisk TIL.
  7. K NAP  
Bruges til at indstille svingningsfunktionen.

- H**
1. Skru begge ender af aftræksslagen fast i tilslutningerne som vist.

- I**
1. Anvisninger i montering af aftræksslange

- J**
1. Monteringsanvisninger til vinduesskinne BEMÆRK! Denne vinduesskinne er ikke egnet til alle typer vinduer. Vi anbefaler brug af Wood's vinduestætningskit (varenummer: wac\_wk), hvis denne skinne ikke passer.

- K**
1. Eksempel på montering af vinduesskinne

- L**
1. Monteringsanvisninger til afløbsslange (BEMÆRK! Slangen medfølger ikke. Dysen passer til en 10-mm-apparatslange.)

## DRIFTSTILSTANDENES VIRKEMÅDE OG INSTALLATIONSVEJLEDNING

**A. Tilbehør**  
Når du har pakket udstyret ud, skal du kontrollere, om ovennævnte tilbehør er inkluderet. Læs desuden om tilbehørets formål i introduktionen til installationen i denne vejledning. Tilbehør nr. 6 er allerede monteret nederst på apparatets bagside.

**B. Transportabelt klimaanlæg**  
**G. Fjernbetjeningens udseende og funktion.**  
Bemærk: - Undgå at tabe fjernbetjeningen.-  
Anbring ikke fjernbetjeningen i direkte sollys.

**A. Introduktion til betjening**  
Gør følgende, før du udfører de handlinger, der er beskrevet i dette afsnit:  
1) Placer klimaanlægget et sted, hvor der er nem adgang til en jordet stikkontakt.

2) Monter aftræksslagen, og juster vinduespositionen korrekt.

3) Slut strømforsyningskablet til en jordet stikkontakt AC 220~240 V/50 Hz.

4) Tryk på tænd/sluk-knappen (POWER) for at tænde for klimaanlægget.

H, I, and K. Installation af aftræksslange

**M) Midlertidig installation**  
1. Skru begge ender af aftræksslagen fast i slangetilslutningerne.  
2. Sæt den kvadratiske monteringsclips i luftudtaget på bagsiden af apparatet.  
3. Anbring den anden ende af aftræksslagen i nærheden af vindueskarmen.

J og K: Installation af vinduesskinnesæt  
Vinduesskinnesættet monteres som regel "vandret" eller "lodret". Kontrollér før installationen vinduets minimum- og maksimumstørrelse som vist på fig. 5 og fig. 5a.  
1. Installer vinduessættet på vinduet.  
2. Juster vinduesskinnesættets længde

alt efter vinduets bredde eller højde, og fastgør det med låsetappen.  
3. Monter slangebeslaget i hullet i vinduesskinne.

**O. Alarm for fuld vandbeholder**  
Vandbeholderen i apparatet har en vandstandsmåler, som registrerer, når beholderen er fuld. Når beholderen er fuld, slukker apparatet automatisk, og koden E4 vises på displayet.  
(Når vandbeholderen er fuld, skal du fjerne gummiproppen i nederst på apparatet for at tømme vandet ud). Vi anbefaler, at

**Det er vigtigt, at filtret rengøres regelmæssigt, for ellers kan klimaanlæggets kapacitet falde, og det kan blive alvorligt beskadiget.**

du tømmer vandet ud over et gulvafløb, alternativt over en bradepande fra ovnen. Når vandbeholderen er fuld, skal du fjerne gummiproppen nederst på apparatet, så alt vandet løber ud.

Oplysninger og anvisninger vedrørende vedligeholdelse:

1) Tag altid strømforsyningskablet ud af stikkontakten, før du rengør apparatet.  
2) Brug ikke benzin eller andre kemikalier til rengøring af apparatet.  
3) Sprøjt ikke vand direkte på apparatet.

4) Kontakt forhandleren, hvis apparatet er beskadiget.

**1. Luftfiltret**  
- Rengør luftfilteret hver uge eller hver anden uge, så du undgår, at det bliver tilstoppet af støv/snavs.  
- Afmontering  
Åbn luftindtagsgitteret, og afmonter luftfilteret.  
- Rengøring  
Rengør luftfiltret med et neutralt rengøringsmiddel i lunken vand (40 °C), og lad det tørre i skyggen.

- Montering  
Sæt luftfiltret tilbage på plads i

luftindtagsgitteret.

2. Rengør klimaanlægget udvendigt med et neutralt rengøringsmiddel og en fugtig klud, og tør efter med en tør klud.

**E. Før brug**  
Kontrollér, at aftræksslagen er monteret korrekt.

Sikkerhedsforanstaltninger ved brug af køle- og affugtningsfunktionerne:  
- Når du bruger køle- og affugtningsfunktionerne, skal du holde en pause på mindst 3 minutter mellem hver AKTIVERING.

- Strømforsyningen skal opfylde kravene.  
- Stikkontakten skal være til vekselstrøm.  
- Undlad at slutte flere apparater til samme stikkontakt.

- Strømforsyningen skal være AC 220-240 V, 50 Hz.

1. Tænd for apparatet  
a) Sæt stikket i stikkontakten, hvorefter apparatet bipper én gang. "O" Strømindikatoren tænder.  
b) Tryk på knappen "O" for at tænde for apparatet.  
c) LED'en viser rumtemperaturen og under Automatisk tilstand.

2. Kølefunktion/**Drift af varmeanlæg**  
- Tryk på knappen "Mode", indtil snefnugikonet/**sol ikon** vises på displayet.  
- Tryk på knappen "+" eller "-" for at vælge den ønskede rumtemperatur. (15 °C-31 °C)

- Tryk på knappen "Fan Speed" for at vælge blæserhastighed.

3. Affugtningsfunktion  
Tryk på knappen "Mode", indtil ikonet "Dehumidify" vises.

- Temperaturen indstilles automatisk til den aktuelle rumtemperatur minus 2 °C.  
- Ventilatormotoren indstilles automatisk til lav blæserhastighed (LOW).

4. Ventilationsfunktion  
- Tryk på knappen "Mode", indtil ikonet "Fan" vises.

- Tryk på knappen "Fan Speed" for at vælge blæserhastighed.

## DRIFTSTILSTANDENES VIRKEMÅDE OG INSTALLATIONSVEJLEDNING

### 5. ☺ Timerfunktion

a) Tryk på knappen "Timer" for at indstille tiden for automatisk FRA, mens enheden kører.

b) Tryk på knappen "Timer" for at indstille planlagt start.

c) Tiden kan indstilles inden for et interval på 1 time til 24 timer. Tryk på knappen for temperatur op (+) eller temperatur ned (-) for at øge eller sænke tiden med en time for hvert tryk.

### 6. Funktionen ☺

a) Funktionen ☺ er aktiv, når enheden er i ☺-tilstand.

b) Tryk på knappen ☺ i ☺-tilstand for at aktivere dvaletilstand. I dvaletilstand kører blæseren med lav hastighed. Den indstillede temperatur øges med 1 °C efter én time, og temperaturen øges med 2 °C efter to timer. Efter 6 timer slukker apparatet. Hvis temperaturen stiger til mere end 2 °C over den indstillede værdi, skifter apparatet til normal drift.

### 7. ⇄ Svingningsfunktion

a) Når svingknappen aktiveres, svinger svingbladet automatisk op og ned. Hvis du vil stoppe, skal du trykke på knappen igen.

### Service

Hvis klima anlægget trænger til service, skal du først kontakte din lokale forhandler.

Købsbevis skal fremvises i forbindelse med alle garantikrav.

### Opbevaringsanvisninger

Opbevaring, når sæsonen er slut

1) Vi anbefaler, at du tømmer vandet ud over et gulv afløb, alternativt over en bradepande fra ovnen. Skru udløbshætten af, og træk proppen ud for at tømme kondensvandet helt ud.

2) Lad apparatet køre i blæsertilstand en

halv dag for at tørre dets inderside helt og dermed forhindre, at der dannes mug.

3) Sluk for apparatet, træk stikket ud, og vikl derefter elledningen rundt om ledningsholderen. Sæt stikket i fastgørelseskasset på apparatets bagpanel. Monter vandproppen og udløbshætten.

4) Fjern aftræksslangeenheden til varm luft. Rengør den, og opbevar den på korrekt vis.

Bemærk:

Skub beslagene ind.

Hold om aftræksslangeenheden med begge hænder, når den fjernes. Skub fastgørelsesanordningerne på luftudtaget til side med tommelfingrene, og træk aftræksslangeenheden ud.

5) Pak forsigtigt klima anlægget ind i blød plast, og placer det på et tørt sted, hvor det er beskyttet mod støv. Opbevar apparatet utilgængeligt for børn.

6) Tag batterierne ud af fjernbetjeningen, og opbevar den på korrekt vis.

Bemærk:

\*Sørg for, at apparatet opbevares et tørt sted. Alt tilbehør til apparatet skal opbevares sammen og skal beskyttes på en passende måde.

\*Ledningsholderen og fastgørelseskasset til stikket beskytter elledningen.

\*Luftudtagets høje placering gør det nemt at montere apparatet og sikrer hurtig ventilation.

\*Apparatets selvfordampende kølesystem er intelligent, miljøvenligt og energibesparende.

\*Apparatet har en 24-timers timerfunktion og en unik tænd/sluk-lyd.

\*Som beskyttelsesforanstaltning er der en 3 minutters forsinkelse ved genstart af kompressoren.

## WiFi-funktion

### 1. Download og installering af appen.

Download Woods Connect App fra App Store eller Google Play.

1. Registrering/Login/Glem adgangskode

Registrering

Hvis du ikke har en app-konto, skal du oprette en konto eller logge på med den bekræftelseskode, du modtager via sms. Denne side beskriver registreringsprocessen.

2. Tryk for at komme ind på registreringssiden.

3. Systemet genkender automatisk dit land/område. Du kan også vælge din landekode. Indtast mobilnummer/e-mailadresse, og tryk på "Next" (Næste).

4. Hvis du indtaster mobilnummeret, skal du indtaste bekræftelseskode i beskeden og indtaste adgangskoden. Tryk på "Confirm" (Bekræft) for at afslutte registreringen.

5. Hvis du indtaster e-mailadressen, skal du indtaste adgangskoden og trykke på "Confirm" (Bekræft) for at afslutte registreringen.

### 2. Indlogging med brugernavn og adgangskode eller bekræftelseskode, som du modtager via sms.

Log på med brugernavn og adgangskode.

1. Systemet genkender automatisk dit land/område. Du kan også vælge din landekode. Indtast mobilnummer/e-mailadresse, og tryk på "Next" (Næste).

2. Indtast dit registrerede mobilnummer eller din e-mailadresse og din adgangskode for at logge på.

### Indlogging med bekræftelseskode

1. Tryk på "Sign in with SMS verification" (Log ind med sms-bekræftelseskode).  
2. Systemet genkender automatisk dit land/område.  
Du kan også selv vælge din landekode.

### Glem adgangskode

Hvis du har glemt din adgangskode, skal du følge denne fremgangsmåde:  
1. Tryk på "Forgot password" (Glem adgangskode).

2. Systemet genkender automatisk dit land/område. Du kan også selv vælge din landekode. Indtast mobilnummer/e-mailadresse, og tryk på "Next" (Næste).

3. Indtast bekræftelseskode fra beskeden/e-mailen, og indtast den nye adgangskode. Tryk på "Confirm" (Bekræft) for at afslutte.

### Woods Connect understøtter nedenstående funktioner:

- Tænd/sluk
- Køletilstand
- Affugtningsstilstand
- Blæsertilstand
- Strømsparetilstand
- Temperaturindstillinger
- Hastighed: Lav og høj
- Timer: 1-24 timer
- Dvaletilstand: Til/Fra
- Automatisk rensning Til/Fra
- Celsius/Fahrenheit
- Svigning: Til/Fra

### 3. Følg fremgangsmåden i appen for at anvende wi-fi-funktionerne.

## Smart home

Hvis du har et smart home-produkt, skal du gennemføre punkt 1 til 3.

Tredjeparts adgangstjeneste: Tryk på ikonet for en tredjeparts taletjeneste for at se, hvordan du opretter forbindelse til tjenesten.

Smart Home Woods Connect understøtter følgende funktioner ved brug af stemmekommando:

Tænd/sluk  
Temperaturindstillinger  
Tilstandsindstillinger  
Blæserhastighedsindstillinger

Du kan få nærmere oplysninger på: <https://woods.se/en/>

PROBLEM	ÅRSAG	AFHJÆLPNING
Apparatet starter ikke, når der trykkes på tænd/sluk-knappen	Ikke tilsluttet/stik eller fatning er beskadiget.	Tilslut eller udskift stik eller fatning.
	En sikring er sprunget eller defekt.	Udskift sikringen (3,15 A/250 VAC).
	Rumtemperaturen er lavere end den indstillede temperatur. (køletilstand).	Nulstil temperaturen.
Der er ikke køligt nok	Dørene eller vinduerne er ikke lukkede.	Sørg for, at alle vinduer og døre er lukkede.
	Der er varmekilder i rummet.	Fjern varmekilderne, hvis det er muligt.
	Aftræksslangen til varm luft er ikke tilsluttet eller er blokeret.	Tilslut eller rengør aftræksslangen til varm luft.
	Den indstillede temperatur er for høj.	Nulstil temperaturen.
	Luftindtaget er blokeret.	Rengør luftindtaget.
Højt støjniveau	Underlaget er ikke jævnt eller er ikke tilstrækkeligt plant.	Anbring apparatet på et jævnt, plant underlag, hvis det er muligt
	Lyden stammer fra kølemidlet, som cirkulerer inde i klimaanlægget	Det er helt normalt.
Brug nedenstående fejlfindingsoversigt, hvis der opstår problemer med det transportable klimaanlæg. Hvis nedenstående ikke løser problemet, skal du kontakte forhandleren for at få klimaanlægget serviceret.		

Fejlkoder	ÅRSAG	AFHJÆLPNING
Koden E2	Rumtemperaturføleren fungerer ikke eller er beskadiget.	Udskift rumtemperaturføleren.
Koden E3	Fordampertemperaturføleren fungerer ikke.	Udskift fordampertemperaturføleren.
Koden E4	Vandbeholderen er fuld.	Tøm vandbeholderen.

## Garanti

2 års forbrugergaranti mod produktionsfejl. Bemærk, at garantien kun er gyldig ved fremvisning af kvittering. Garantien gælder kun, hvis produktet anvendes i overensstemmelse med instruktionerne og sikkerhedsanvisningerne i denne manual. Garantien dækker ikke skader, som skyldes forkert håndtering af produktet.

**BEMÆRK:** Den 2-årige garanti gælder kun forbrugere og gælder ikke kommerciel brug af apparatet.



### BEMÆRK!

Registrer dit produkt på [www.warranty-woods.com](http://www.warranty-woods.com), og læs om, hvordan du får en udvidet garanti. Du kan få flere oplysninger på [www.woods.se](http://www.woods.se).

### Anbefalede grænseværdier ved brug

Den optimale omgivelsestemperatur for køling er 17-35 °C, Sikringsparameter:  $\varnothing$  5,0 x 20 mm 3,15 A, 250 VAC.

## TEKNISKE DATA

	AC Milan 7K Duo WiFi Smart Home	AC Milan 9K Duo WiFi Smart Home
Kølekapacitet/Varmekapacitet	2000 W/1500 W	2600 W/2000 W
Strømforbrug	750 W/600 W	950 W/750 W
Luftstrøm:	350 m <sup>3</sup> /t	350 m <sup>3</sup> /t
Energiklasse	A	A
Affugtning	19 l/24 t	24 l/24 t
Temperaturindstilling	15-31 °C	15-31 °C
Driftstemperatur	16-43 °C	16-43 °C
Energieffektivitetsfaktor	2,6	2,7
Aftræksslængens længde	1,5 m	1,5 m
Aftræksslængens diameter	155 mm	155 mm
Kølemiddel	R290/100 g	R290/160 g
Støjniveau i decibel	51 dB	51 dB
Vægt	22.5 kg	24.5 kg
Mål i mm, L x B x H	355x350x700	355x350x700

\*Der kan ske tekniske ændringer og forbedringer. Alle værdier er omtrentlige og kan variere på grund af ydre omstændigheder såsom temperatur, ventilation og luftfugtighed.



\*Denne mærkning viser, at produktet ikke må bortskaffes sammen med almindeligt husholdningsaffald i EU. For at undgå eventuelle miljøskader eller sundhedsmæssige skader på grund af ukontrolleret bortskaffelse af affald skal produktet genvindes på forsvarlig vis. Dermed fremmes bæredygtig genbrug af materielle ressourcer. For at returnere apparatet til os skal du bruge returnerings- og indsamlingssystemerne eller kontakte den forhandler, hvor produktet blev købt. Forhandleren kan sørge for, at produktet genvindes på miljømæssigt forsvarlig vis.



\*Brugte batterier må ikke bortskaffes sammen med husholdningsaffald, da de kan indeholde giftige elementer og tungmetaller, der kan være skadelige for miljøet og menneskers sundhed. Indlevér tomme batterier på en genbrugsstation.

## GERÄTE VON WOOD'S FÜR SAUBERE UND GESUNDE RAUMLUFT

Die Marke Wood's wurde vor über 65 Jahren von der Familie Wood in der kanadischen Stadt Guelph, Ontario, gegründet. Dort begann Wood's 1950 mit der Entwicklung und Herstellung von Luftentfeuchtern. Seitdem hat Wood's Hunderttausenden von Haushalten geholfen, Schäden durch Schimmel und Feuchtigkeit zu verhindern und sauberere Luft atmen zu können. Unsere mobilen Klimaanlage eignen sich für den Einsatz in den meisten Klimazonen. Auch bei unterschiedlichen Temperaturen und Feuchtigkeitswerten liefern sie zuverlässig gute Leistung. In feuchten Räumen wie Wohnzimmern, Büros oder Schlafzimmern sorgen die Geräte perfekt für Abhilfe. Temperatur, Luftfeuchtigkeit und Standort bestimmen die Leistungsfähigkeit der Klimaanlage. Auch externe Wetterbedingungen haben Einfluss auf die Leistung einer Klimaanlage.

Die Klimaanlagen von Wood's sind betriebssicher und für einen langjährigen Dauerbetrieb ausgelegt.

### WIE FUNKTIONIERT DIE KLIMAAANLAGE?

Niedriger Druck sorgt für kalte Luft. Der wichtigste Bestandteil der Klimaanlage ist ein Kältemittel, das unter niedrigem Druck in Gas umgewandelt wird. Dieser Prozess „erzeugt Kälte“, die nach innen geleitet wird, während die warme Luft am Eindringen gehindert wird. Ein flüssiges Kältemittel wird über ein Expansionsventil in ein Rohr geleitet, in dem der Druck niedrig ist. Das Kältemittel verdunstet und verwandelt sich in ein Gas. Dieser Prozess absorbiert Wärme aus der Umgebung und das Rohr wird gekühlt. Ein Lüfter leitet die kalte Luft in den Raum. Das Gas wird durch einen Kompressor geleitet, der den Druck erhöht und das Gas in Flüssigkeit umwandelt. Dabei wird Wärme freigesetzt, die in Rohre auf der gegenüberliegenden Seite geleitet und von einem Lüfter verteilt wird. Ein Thermostat schaltet das Gerät ab, wenn die Raumluft kalt genug ist.

## 1. SICHERHEITSHINWEISE



Brennbares Material. Dieses Gerät enthält das brennbare Kältemittel Propan (R290).



Sicherheitshinweise finden Sie in diesem Handbuch.



Technisches Handbuch lesen



Bedienungsanleitung lesen.

### SICHERHEITSHINWEISE

Lesen Sie vor der Installation und Nutzung des Geräts die Bedienungsanleitung sorgfältig durch. Bei Verletzungen oder Schäden aufgrund einer unsachgemäßen Installation übernimmt der Hersteller keine Haftung. Bewahren Sie die Anleitung zusammen mit dem Gerät auf, damit Sie jederzeit darin nachschlagen können.

### Schutz von Kindern und schutzbedürftigen Personen

#### WARNUNG

Verletzungsgefahr oder drohende Dauerinvalidität.

Dieses Gerät kann von Kindern ab 8 Jahren und Personen mit eingeschränkten körperlichen, sensorischen oder geistigen Fähigkeiten oder mangelnden Erfahrungen und Kenntnissen

benutzt werden, sofern sie in der sicheren Handhabung der Geräte unterwiesen wurden und die damit verbundenen Gefahren verstehen bzw. unter entsprechender Aufsicht stehen. Kinder nicht mit dem Gerät spielen lassen!

Kinder unter 3 Jahren sind vom Gerät fernzuhalten, sofern sie nicht ständig beaufsichtigt werden. Sämtliches Verpackungsmaterial von Kindern fernhalten. Reinigung und Wartung dürfen nicht von unbeaufsichtigten Kindern durchgeführt werden.

### Allgemeine Sicherheit

Dieses Gerät ist für den Einsatz in Wohnbereichen und ähnlichen Umgebungen vorgesehen (z. B. Wohnräume, Personalküchen in Geschäften, Büros und sonstige Arbeitsumfelder). Das Typenschild befindet sich auf der Seite oder Rückseite der Klimaanlage. Lüftungsöffnungen dürfen nicht überdeckt werden.

Als Abtauhilfen dürfen keine mechanischen oder sonstigen Geräte, sondern ausschließlich die vom Hersteller empfohlenen Vorrichtungen verwendet werden. Das Gerät darf nicht in Räumen mit in Betrieb befindlichen Zündquellen (z. B. offene Flammen, Gasgeräte im Betrieb, Elektroheizungen im Betrieb) gelagert werden. Das Gerät nicht durchstechen oder in Brand setzen. Kältemittel können geruchlos sein. Gerät nicht mit Wasserstrahl oder Dampf reinigen. Gerät mit einem

feuchten, weichen Tuch reinigen. Nur neutrale Reinigungsmittel benutzen. Keine Scheuermittel, Scheuerschwämme, Lösungsmittel oder Metallgegenstände verwenden.

Bei einem Schaden am Netzkabel muss der Austausch aus Sicherheitsgründen durch den Hersteller, ein offizielles Servicezentrum oder Fachpersonal erfolgen.

### SICHERHEITSHINWEISE

#### Installation

Das Gerät darf nur von einer entsprechend qualifizierten Person installiert werden. Die Verpackung ist restlos vom Gerät zu entfernen. Ein beschädigtes Gerät darf weder installiert noch verwendet werden. Installation, Betrieb und Aufbewahrung des Geräts sind nur in Räumen mit einer Mindestfläche von 4 - 4,2 m<sup>2</sup> (7k), 7,7 m<sup>2</sup> (9k), 9,6 m<sup>2</sup> (12k) zulässig. Die beiliegende Installationsanleitung ist zu befolgen. Das Gerät ist schwer – Vorsicht beim Transport und beim Umstellen. Immer Schutzhandschuhe tragen. Kältemittel können geruchlos sein.

Darauf achten, dass die Luftzirkulation um das Gerät herum unbehindert möglich ist. Vor dem Netzanschluss das Gerät mindestens 4 Stunden aufrecht stehend ruhen lassen. Auf diese Weise kann das Öl zurück in den Kompressor fließen. Das Gerät nicht in der Nähe

von Heizkörpern oder anderen Wärmequellen aufstellen. Das Gerät nicht an einem Ort mit direkter Sonneneinstrahlung aufstellen.

### Elektrischer Anschluss

#### WARNUNG

Brand- und Stromschlaggefahr. Das Gerät muss an eine geerdete Steckdose angeschlossen werden. Darauf achten, dass die elektrischen Angaben auf dem Typenschild mit dem Netzanschluss übereinstimmen. Sollte das nicht der Fall sein, ist eine Elektrofachkraft hinzuzuziehen. Der Anschluss muss an eine sachgerecht installierte, VDE-zugelassene Steckdose erfolgen. Mehrfachsteckdosenleisten und Verlängerungskabel sind unzulässig. Darauf achten, dass die elektrischen Komponenten (z.B. Netzstecker, Netzkabel) nicht beschädigt werden. Falls ein elektrisches Bauteil ausgetauscht werden muss, ein Autorisiertes Servicezentrum oder einen Elektriker beauftragen. Das Netzkabel muss durchgehend unterhalb der Steckdose verlegt werden. Das Gerät erst nach der Aufstellung am endgültigen Betriebsort an die Steckdose anschließen. Der Netzstecker muss jederzeit zugänglich sein. Zum Trennen der Stromversorgung nicht am Netzkabel ziehen. Immer direkt am Netzstecker ziehen.

### Betrieb

**WARNUNG**  Verletzungs-, Verbrennungs-, Stromschlag- und Brandgefahr. Gerät nur innerhalb der angegebenen technischen Daten betreiben und keine Veränderungen am Gerät vornehmen.

Darauf achten, dass der Kältemittelkreislauf nicht beschädigt wird. Der Kreislauf enthält das umweltverträgliche Erdgas Propan (R290). Es ist brennbar.

Sollte der Kältemittelkreislauf beschädigt werden, sofort sicherstellen, dass es im Raum weder offenes Feuer noch Zündquellen gibt. Den Raum lüften. Keine brennbaren Produkte oder Gegenstände, die mit brennbaren Produkten benetzt sind, auf das Gerät oder in dessen Nähe stellen.

### Entsorgung

#### WARNUNG

Verletzungsgefahr! Den Netzstecker des Geräts abziehen. Netzkabel abschneiden und entsorgen. Der Kältemittelkreislauf des Geräts ist ozonverträglich. Die Vorgehensweise bei der umweltverträglichen Entsorgung des Geräts ist bei der zuständigen Behörde zu erfragen. Der Teil der Kühleinheit unmittelbar neben dem Wärmetauscher darf nicht beschädigt werden.



## EINRICHTUNG DER KLIMAANLAGE VOR DER INSTALLATION

### 2. Installation

#### VOR DER ERSTVERWENDUNG

Vor der Erstverwendung das Gerät 2 Stunden aufrecht stehen lassen. Hierdurch kann Öl, das eventuell in das Kühlsystem eingedrungen ist, in den Kompressor zurückfließen. (Wie bei einem Kühlschrank).

#### Wichtig

1. Diese Klimaanlage kann in Innenräumen bequem verfahren werden. Halten Sie das Gerät während des Transports in aufrechter Position. Die Klimaanlage sollte auf einer ebenen Fläche aufgestellt werden.

Diese Klimaanlage nicht in einem Badezimmer oder einem anderen Feuchtbereich installieren oder betreiben.

Da die mobile Klimaanlage über Rollen verfügt, ist ein Standortwechsel einfach. Wenn es heiß wird, lässt sich die mobile Klimaanlage ganz einfach in den gewünschten Raum fahren und kann schnell mit der Kühlung beginnen.

In geschlossenen Bereichen arbeitet die Klimaanlage am effektivsten.

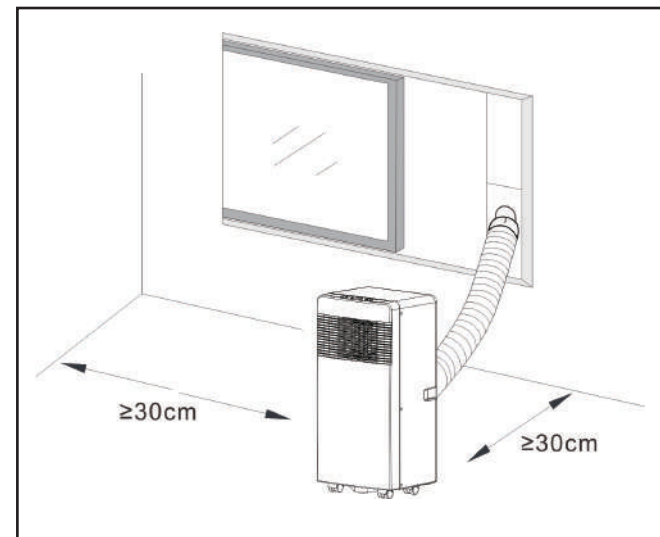
Schließen Sie deshalb alle Türen, Fenster und andere Raumöffnungen.

Auch starke Belüftung oder große Fenster mit direkter Sonneneinstrahlung können die Kühlwirkung beeinträchtigen.

2. Die Klimaanlage an einem Ort aufstellen, wo der Luftstrom an der Vorderseite des Geräts nicht behindert wird.

3. Eine in einem Raum betriebene Klimaanlage kann angrenzende geschlossene Aufbewahrungsbereiche (wie z. B. einen Schrank) nur geringfügig oder gar nicht trocknen, wenn die Luft in/aus dem Bereich nicht ausreichend zirkulieren kann. Eine mobile Klimaanlage leitet die Wärme aus dem Gerät über einen Lüftungsschlauch durch ein Fenster oder Abluftventil ab.

4. Der Mindestabstand zwischen der Klimaanlage und dem nächsten Gegenstand sollte 30 cm betragen. Siehe Beispiel in der Abbildung.



## PRODUKTBE SCHREIBUNG

### 3. Produktbeschreibung

- |   |   |  |
|---|---|--|
| <p><b>A</b></p> <ol style="list-style-type: none"> <li>1. Abluftschlauch</li> <li>2. Anschluss für Abluftschlauch an die Klimaanlage</li> <li>3. Anschluss für Abluftschlauch an die Fensterschiene</li> <li>4. Fernbedienung</li> <li>5. Fensterschiene</li> <li>6. Wasserstopfen</li> <li>7. Batterien</li> <li>8. Wasserpeife Schlauch<br/>Länge: 1m<br/>Durchmesser: 10mm</li> </ol> <p><b>B</b></p> <ol style="list-style-type: none"> <li>1. Ansicht Produktvorderseite</li> </ol> <p><b>C</b></p> <ol style="list-style-type: none"> <li>1. Bedienfeld</li> <li>2. Kaltluftauslass</li> <li>3. Signalempfänger</li> <li>4. Fernbedienung</li> <li>5. Transportgriff</li> <li>6. Luftauslassschlauch</li> <li>7. Lufteinlass Verdampfer</li> <li>8. Ablaufstutzen</li> </ol> <p><b>D</b></p> <ol style="list-style-type: none"> <li>1. Produkt-Draufsicht</li> </ol> <p><b>E</b></p> <ol style="list-style-type: none"> <li>1.  Stunden/ Temperatur nach oben</li> <li>2.  Stunden/ Temperatur nach unten</li> <li>3.    Automatik, Kühlung, Heizung<br/>  Entfeuchtung, Lüfterbetrieb</li> <li>4.  Standby-Modus und Kindersicherung</li> <li>5.  Oszillation/Swing</li> <li>6.  Stunden</li> <li>7.  Betriebsart</li> <li>8.  Lüfterdrehzahl (niedrig/hoch)</li> <li>9.  Ein-/Aus-Schalter („On/Off“)</li> <li>10.  Kontrollleuchte für die gewählte Lüfterdrehzahl</li> <li>11.  Betriebsanzeige (leuchtet, wenn das Gerät in Betrieb ist)</li> <li>12.   Kontrollleuchte für Kindersicherung und Standby-Modus.</li> <li>13.  WiFi</li> </ol> | <p><b>F</b></p> <ol style="list-style-type: none"> <li>1. Anleitung zur Reinigung des Filtersiebs.</li> </ol> <p><b>G</b></p> <ol style="list-style-type: none"> <li>1.  TASTE<br/>Stromversorgung Ein/Aus</li> <li>2.  TASTE<br/>Auswahl der Betriebsart</li> <li>3.  TASTE<br/>Auswahl der Lüfterdrehzahl in Folge.</li> <li>4.  EINSTELLTASTEN<br/>Einstellung der Raumtemperatur und des Timers.</li> <li>5.  TASTE<br/>Einstellen oder Abbrechen  Modusbetriebs.</li> <li>6.  TASTE<br/>Einstellung der automatischen AUS- und EIN-Zeit.</li> <li>7.  TASTE<br/>Einstellung der Oszillations-/Swingfunktion.</li> </ol> <p><b>H</b></p> <ol style="list-style-type: none"> <li>1. Die Enden des Abluftschlauchs wie abgebildet in die Anschlüsse eindrehen.</li> </ol> <p><b>I</b></p> <ol style="list-style-type: none"> <li>1. Installationsanleitung, Abluftschlauch</li> </ol> | <p><b>J</b></p> <ol style="list-style-type: none"> <li>1. Montageanleitung Fensterschiene<br/>HINWEIS! Diese Fensterschiene ist nicht für alle Fenstertypen geeignet. Sollte diese Schiene nicht passen, empfehlen wir den Wood's Fenster-Abdichtungssatz (Artikelnummer: wac_wk).</li> </ol> <p><b>K</b></p> <ol style="list-style-type: none"> <li>1. Vorschlag für die Installation der Fensterschiene</li> </ol> <p><b>L</b></p> <ol style="list-style-type: none"> <li>1. Montageanleitung Ablaufschlauch (HINWEIS! Der Schlauch ist nicht im Lieferumfang enthalten. Die Düse ist für einen 10 mm Geräteschlauch ausgelegt)</li> </ol> |
|---|---|--|

## FUNKTION DER BETRIEBSARTEN UND INSTALLATIONS BESCHREIBUNG

### A. Zubehör

Nach dem Auspacken ist zu überprüfen, ob das oben genannte Zubehör vorhanden ist. Ebenso ist der jeweilige Zweck in der Installationseinleitung dieses Handbuchs zu überprüfen. Zubehör Nr. 6 ist bereits unten an der Rückseite des Geräts montiert.

### B. Mobile Klimaanlage

G. Aussehen und Funktion der Fernbedienung.

Hinweis: Die Fernbedienung nicht fallen lassen.

Die Fernbedienung nicht an einem Ort ablegen, der direkter Sonneneinstrahlung ausgesetzt ist.

### A. Betrieb - erste Schritte

Vor der Erstverwendung gemäß diesem Abschnitt:

1) Stellen Sie die Klimaanlage an einem Standort in der Nähe einer geerdeten Steckdose auf.

2) Den Abluftschlauch anbringen und die Fensterposition gut einstellen.

3) Das Netzkabel an eine geerdete Steckdose AC220-240V/50Hz anschließen.

4) Die Klimaanlage mit der POWER-Taste einschalten.

### H, I und K. Installation des Abluftschlauchs

#### M) Zeitweilige Installation

1. Beide Enden des Abluftschlauchs in die jeweiligen Schlauchanschlüsse eindrehen.  
2. Den quadratischen Befestigungsclip am Luftauslass auf der Rückseite des Geräts anbringen.  
3. Das andere Ende des Abluftschlauchs nah an der Fensterbank anordnen.

J&K: Installation Fensterbausatz

Die Installation des Fensterbausatzes erfolgt üblicherweise „horizontal“ und „vertikal“. Die Mindest- und Höchstgröße des Fensters ist vor der Installation gemäß Abb. 5 und Abb. 5a zu überprüfen.

- Den Fensterbausatz im Fenster einbauen.
- Die Länge des Fensterbausatzes entsprechend der Fensterbreite oder -höhe anpassen. Den Bausatz mit dem Dübel fixieren.
- Befestigen Sie die Schlauchhalterung am Loch in der Fensterschiene

O. Alarm: Interner Tank „Wasser voll“  
Der Wassertank im Geräteinneren verfügt über eine Füllstandsüberwachung, die erkennt, wenn der Tank voll ist. Wenn der Behälter voll ist, schaltet sich das Gerät

**Es ist sehr wichtig, dass der Filter regelmäßig gereinigt wird. Andernfalls kann die Klimaanlage schwächer und sogar schwer beschädigt werden.**

automatisch ab, und im Display wird der Code E4 angezeigt.

(Wenn der Wassertank voll ist, entfernen Sie bitte den Gummistopfen an der Unterseite des Geräts, um das Wasser abzulassen.) Wir empfehlen, das Wasser über einen Bodenablauf oder einem tiefen Backblech abzulassen.  
Wenn der Wassertank voll ist, den Gummistopfen am Boden des Geräts entfernen, damit das gesamte Wasser nach außen abfließen kann.)

#### Pflege und Wartung:

- Vor der Reinigung sicherstellen, dass das Gerät von der Steckdose getrennt ist.
- Das Gerät nicht mit Waschbenzin oder anderen chemischen Mitteln reinigen.
- Das Gerät nicht direkt mit Wasser abspülen.

4) Wenden Sie sich bei Schäden am Gerät bitte an den Händler.

#### 1. Luftfilter:

Wenn der Luftfilter mit Staub/Schmutz verstopft ist, sollte er alle zwei Wochen gereinigt werden.

- Ausbau

Das Luftzufuhrgitter öffnen und den

Luftfilter entnehmen.

- Reinigung

Den Luftfilter mit einem neutralem Reinigungsmittel in lauwarmem Wasser (40 °C) reinigen und im Schatten trocknen lassen.

- Einbau

Den Luftfilter in das Zufuhrgitter einsetzen und die Bauteile wieder so anbringen, wie sie vorher waren.

2. Die Oberfläche mit einem neutralen Reinigungsmittel und einem feuchten Tuch reinigen und anschließend mit einem trockenen Tuch nachtrocknen.

E. Vor der Verwendung

Überprüfen, ob der Abluftschlauch richtig angebracht wurde.

Vorsichtsmaßnahmen bei Kühl- und Entfeuchtungsbetrieb:

- Bei Verwendung der Kühl- und Entfeuchtungsfunktionen ist ein Intervall von mindestens 3 Minuten zwischen den einzelnen Abläufen einzuhalten.

#### STROMVERSORGUNG

- Die Stromversorgung muss die Anforderungen erfüllen.

- Die Steckdose liefert Wechselstrom.

- Die Steckdose nicht mit anderen Geräten teilen.

- Die Stromversorgung muss AC220-240 V, 50 Hz entsprechen.

1. Das Gerät einschalten.

a) Stecken Sie das Gerät ein, das Gerät gibt drei Signaltöne ab, „O“ Die Betriebsanzeige leuchtet.

b) Drücken Sie die Taste „U“, das Gerät wird eingeschaltet.

c) Die LED zeigt die Raumtemperatur und den Automatikbetrieb an.

2. Kühlbetrieb/Betrieb der Heizung

- Drücken Sie die „Betriebsart“-Taste,

bis das Schneeflocke-Symbol/Sonnensymbol auf dem Bedienfeld angezeigt wird.

- Mit den Tasten „+“ oder „-“ die gewünschte Raumtemperatur einstellen. (15 °C - 31 °C)

- Die Lüftergeschwindigkeit mit der Taste einstellen.

3. Entfeuchtungsbetrieb

- Drücken Sie die „Betriebsart“-Taste, bis

## FUNKTION DER BETRIEBSARTEN UND INSTALLATIONS BESCHREIBUNG

das Entfeuchtungs-Symbol erscheint.

- Die Temperatur wird automatisch auf die aktuelle Raumtemperatur minus 2 °C eingestellt.

- Der Lüftermotor wird automatisch auf LOW eingestellt.

4. Lüfterbetrieb

- Die Mode-Taste drücken, bis das Lüftersymbol erscheint.

- Die Lüftergeschwindigkeit mit der Taste einstellen.

#### 5. ☺ Timerbetrieb

a) Die Taste „Timer“ zur Einstellung der automatischen Ausschaltzeit bei laufendem Gerät betätigen.

b) Die Timer-Taste für einen geplanten Start drücken.

c) Die Zeit kann von 1 bis 24 Stunden eingestellt werden. Drücken Sie die

Taste Temperatur nach oben (+) oder

Temperatur nach unten (-), um die Zeit durch einmaliges Drücken um eine Stunde zu verlängern oder zu verkürzen.

#### 6. ☺ Betrieb

a) Die Einstellung ☺ wird wirksam, wenn sich das Gerät im Modus ✱ befindet.

b) Drücken Sie die Taste ☺ im Modus ✱, um den Standby-Modus zu aktivieren.

Im Standby-Modus läuft der Lüfter mit niedriger Drehzahl. Die Solltemperatur erhöht sich nach einer Stunde um 1 °C und nach zwei Stunden um 2 °C. Nach 6 Stunden schaltet das Gerät ab. Steigt die Temperatur um mehr als 2 °C über den Sollwert, startet das Gerät im Vollbetrieb.

#### 7. ⇄ Oszillation/Swing

a) Bei Betätigung der Taste Oszillation/Swing schwenkt der Lüfter automatisch nach oben und nach unten. Bei erneuter Betätigung der Taste wird diese Funktion abgeschaltet.

#### Reparatur

Wenn die Klimaanlage gewartet werden

muss, bitte zunächst Kontakt zum Händler aufnehmen.

Bei allen Gewährleistungsansprüchen ist ein Kaufbeleg vorzulegen.

#### Aufbewahrungshinweise

Aufbewahrung am Ende der Saison

1) Wir empfehlen, das Wasser über einen Bodenablauf oder ein Backblech abzulassen. Die Abflussabdeckung abschrauben und den Stopfen herausziehen, damit das Kondenswasser vollständig abfließen kann.

2) Das Gerät einen halben Tag lang im Lüftermodus laufen lassen, damit es innen vollständig trocknet und Schimmelbildung verhindert wird.

3) Das Gerät ausschalten, den Stecker abziehen und das Netzkabel um die Kabelsäule wickeln. Den Stecker in die universelle Befestigungsbohrung auf der Rückseite des Geräts stecken sowie den Stopfen und die Abflussabdeckung anbringen.

4) Die Baugruppe mit dem Wärmeabluftschlauch ausbauen, reinigen und ordnungsgemäß aufbewahren.

Hinweis:

Drücken Sie die Klammern ein. Die Abluftschlauchbaugruppe beim Ausbau mit beiden Händen fassen. Die Halterungen am Abluftausgang mit den Daumen zur Seite schieben. Anschließend die Abzugschlauchbaugruppe herausziehen.

5) Verpacken Sie die Klimaanlage sorgfältig in einer weichen Plastiktüte, bewahren Sie sie an einen trockenen Ort auf und treffen Sie geeignete Maßnahmen, um sie vor Staub zu schützen. Bewahren Sie das Gerät außerhalb der Reichweite von Kindern auf.

6) Die Batterien aus der Fernbedienung nehmen und ordnungsgemäß aufbewahren.

Hinweis:

\* Sicherstellen, dass das Gerät an einem trockenen Ort aufbewahrt wird. Alle Zubehörteile für das Gerät müssen zusammen aufbewahrt und ordnungsgemäß geschützt werden.

\* Der Netzkabelhalter und die Universalbuchse schützen das Netzkabel.

\* Hohe Anordnung des Abluftauslasses für eine einfache Montage und schnelle Belüftung.

\* Das selbstverdampfende Kühlsystem des Geräts ist praktisch, umweltfreundlich und energiesparend.

\* Verfügt über eine 24-Stunden-Timer-Funktion mit einem einzigartigen Ein/Aus-Musikton.

\* Als Schutzfunktion startet der Kompressor mit einer Verzögerung von 3 Sekunden bei einem Neustart.

## WLAN-Funktion

### 1. Die APP herunterladen und installieren.

Die Woods Connect App aus dem App Store oder bei Google Play herunterladen.

1. Registrieren/Anmelden/Passwort vergessen

Registrierung  
Wenn Sie kein App-Konto haben, können Sie ein Konto einrichten oder sich mit dem per SMS erhaltenen Bestätigungscode anmelden. Auf dieser Seite wird der Registrierungsablauf beschrieben.

2. Zum Aufruf der Registrierungsseite anklicken.

3. Das System erkennt Ihr Land/Ihre Region automatisch. Sie können auch Ihr Länderkürzel auswählen. Die Handynummer/E-Mail-Adresse eingeben und „Weiter“ anklicken.

4. Bei Verwendung der Mobiltelefonnummer ist der Bestätigungscode in die Nachricht einzugeben und die Registrierung nach Eingabe des Passwortes mit „Bestätigen“ abzuschließen.

5. Bei Verwendung der E-Mail ist das Passwort einzugeben und die Registrierung nach Eingabe des Passwortes mit „Bestätigen“ abzuschließen.

### 2. Melden Sie sich mit Ihrem Benutzernamen und Passwort oder dem per SMS erhaltenen Bestätigungscode an.

#### Anmeldung mit Benutzername und Passwort

1. Das System erkennt Ihr Land/Ihre Region automatisch. Sie können auch Ihr Länderkürzel auswählen.

Die Handynummer/E-Mail-Adresse eingeben und „Weiter“ anklicken.

2. Zur Anmeldung die registrierte Handynummer oder E-Mail-Adresse und das Passwort eingeben.

#### Anmeldung mit Bestätigungscode

1. Zum Wechsel auf eine neue Seite „Anmeldung mit SMS-Bestätigung“ anklicken.  
2. Das System erkennt Ihr Land/Ihre Region automatisch. Man kann sein Länderkürzel auch selbst auswählen.

#### Passwort vergessen

Wenn Sie Ihr Passwort vergessen haben, ist wie folgt vorzugehen:  
1. „Passwort vergessen“ anklicken.

2. Das System erkennt Ihr Land/Ihre Region automatisch. Man kann sein Länderkürzel auch selbst auswählen. Die Handynummer/E-Mail-Adresse eingeben und „Weiter“ anklicken.

3. Den Bestätigungscode in die Nachricht/E-Mail sowie das neue Passwort eingeben und den Vorgang mit „Bestätigen“ abschließen.

#### Woods Connect unterstützt die folgenden Funktionen:

- Ein-/Ausschalten
- Kühlbetrieb
- Entfeuchtungsbetrieb
- Lüfterbetrieb
- Spar-Modus
- Temperatureinstellungen
- Drehzahl: Niedrig und Hoch
- Timer: 1 bis 24 Stunden
- Pause: Ein/Aus
- Automatische Reinigung: Ein/Aus
- Celsius/Fahrenheit
- Swing-Funktion: Ein/Aus

### 3. Befolgen Sie die Anweisungen in der APP, um die WLAN-Funktionen vollständig nutzen zu können.

#### Smart Home

Wenn Sie ein Smart Home Produkt haben, befolgen Sie bitte die Schritte 1 bis 3.

Zugriffsdienst von Drittanbietern: Wenn Sie das Sprachdienstsymbol eines Drittanbieters anklicken, erfahren Sie, wie Sie eine Verbindung zu dem Dienstleister herstellen.

Smart Home Woods Connect unterstützt folgende Funktionen per Sprachbefehl:

Ein-/Ausschalten  
Temperatureinstellungen  
Betriebsarteinstellungen  
Einstellungen der Lüfterdrehzahl

Weitere Informationen finden Sie unter:  
<https://woods.se/en/>

PROBLEM	URSACHE	BEHEBUNG
Das Gerät startet nicht bei Betätigung des Ein-/Ausschalters.	Nicht angeschlossen oder Stecker oder Steckdose beschädigt.	Anschluss zur Steckdose herstellen oder Steckdose oder Netzkabel ersetzen.
	Eine Sicherung ist durchgebrannt oder defekt.	Die Sicherung (3,15A/250AC) ersetzen.
	Die Raumtemperatur ist niedriger als die Solltemperatur. (Kühlbetrieb)	Die Temperatur zurücksetzen.
Nicht kühl genug.	Die Türen oder Fenster sind nicht geschlossen.	Sicherstellen, dass alle Fenster und Türen geschlossen sind.
	Im Raum sind Wärmequellen vorhanden.	Die Wärmequellen möglichst entfernen.
	Der Abluftschlauch ist nicht angeschlossen oder verstopft.	Den Abluftschlauch anschließen oder reinigen.
	Die Temperatureinstellung ist zu hoch.	Die Temperatur zurücksetzen.
Hoher Geräuschpegel	Der Lufterinlass ist blockiert.	Den Lufterinlass reinigen.
	Der Boden ist nicht eben oder nicht flach genug.	Das Gerät nach Möglichkeit auf einen flachen, ebenen Boden stellen.
	Das Geräusch stammt vom Umlauf des Kältemittels in der Klimaanlage.	Das ist normal.
Wenn Sie Probleme mit Ihrer mobilen Klimaanlage haben, lesen Sie bitte den Abschnitt zur Fehlerbehebung weiter unten. Wenn keine der nachstehend aufgeführten Maßnahmen den gewünschten Erfolg bringt, kontaktieren Sie Ihren Händler zur Instandsetzung der Klimaanlage.		

Fehlercodes	URSACHE	BEHEBUNG
Code E2	Ausfall oder Beschädigung des Raumtemperatursensors	Den Raumtemperatursensor austauschen.
Code E3	Ausfall Verdampfertemperatursensor.	Den Verdampfertemperatursensor austauschen.
Code E4	Wassertank voll.	Wassertank leeren.

## Garantien

2 Jahre Endverbrauchergarantie auf Herstellungsfehler. Es ist zu beachten, dass die Garantie nur bei Vorlage der Quittung gilt. Die Garantie gilt nur, wenn das Produkt in Übereinstimmung mit den Anweisungen und Sicherheitshinweisen in diesem Handbuch verwendet wird. Die Garantie deckt keine Schäden ab, die durch unsachgemäße Handhabung des Produkts verursacht werden.

**HINWEIS:** Die zweijährige Garantie gilt nur für Endverbraucher und nicht bei gewerblicher Nutzung des Geräts.



### HINWEIS!

Die Registrierung unter [www.warranty-woods.com](http://www.warranty-woods.com) vornehmen. Dort erfahren Sie, wie Sie eine erweiterte Garantie erhalten. Weitere Informationen finden Sie unter [www.woods.se](http://www.woods.se).

### Empfohlene Betriebsgrenzwerte

Die optimale Umgebungstemperatur im Kühlbetrieb liegt bei 17-35 °C, Sicherungsparameter:  $\phi$ 5,0x20 mm 3,15 A, 250 VAC.

## TECHNISCHE DATEN

	AC Milan 7K Duo WiFi Smart Home	AC Milan 9K Duo WiFi Smart Home
Kühlleistung/Heizleistung	2000 W/1500 W	2600 W/2000 W
Leistungsaufnahme	750 W/600 W	950 W/750 W
Luftdurchsatz:	350 m <sup>3</sup> /h	350 m <sup>3</sup> /h
Energieklasse	A	A
Entfeuchtung	19 Liter in 24 Stunden	24 l/24h
Temperatureinstellung	15-31 °C	15-31 °C
Betriebstemperatur	16-43 °C	16-43 °C
EER	2,6	2,7
Länge Abluftschlauch	1,5 m	1,5 m
Durchmesser Abluftschlauchleitung	155 mm	155 mm
Kältemittel	R290/100g	R290/160g
Geräuschpegel in Dezibel	51 dB	51 dB
Gewicht	22.5 kg	24.5 kg
Abmessungen in mm, L x B x H	355x350x700	355x350x700

\*Technische Änderungen und Verbesserungen vorbehalten. Alle Angaben sind Richtwerte. Die tatsächlichen Werte können aufgrund von äußeren Einflüssen wie Temperatur, Belüftung und Luftfeuchtigkeit abweichen.



\*Mit dieser Kennzeichnung darf das Gerät in der gesamten EU nicht im normalen Haushaltsabfall entsorgt werden. Zur Verhinderung von Umweltschäden und Auswirkungen auf die menschliche Gesundheit durch unverantwortliche Abfallentsorgung ist das Produkt getrennt vom normalen Abfall zu entsorgen und einem sinnvollen Recycling zur nachhaltigen Wiederverwendung der Ressourcen zuzuführen. Es dient auch dem Recycling aller wiederverwendbaren Teile. Wenden Sie sich als Verbraucher an Ihren Händler oder die örtlichen Behörden, um Informationen zu Entsorgung/Recycling Ihres Altgerätes zu erhalten.



\* Gebrauchte Batterien dürfen nicht über den Hausmüll entsorgt werden, da sie eventuell giftige Stoffe und Schwermetalle enthalten, die für die Umwelt und die menschliche Gesundheit schädlich sein können. Entsorgen Sie leere Batterien bei einer hierfür vorgesehenen Sammelstelle.

## WOOD'S POUR UN AIR INTÉRIEUR PROPRE ET SAIN

La marque Wood's est née avec la famille Wood's il y a plus de 65 ans dans la ville canadienne de Guelph, dans l'Ontario. C'est là que Wood's a commencé à développer et à fabriquer des déshumidificateurs en 1950. Depuis, Wood's a aidé plusieurs centaines de milliers de foyers à empêcher les dommages provoqués par l'humidité et la moisissure et à respirer un air plus propre. Nos climatiseurs portatifs conviennent à une utilisation dans la plupart des climats, où la capacité est bonne même à différents niveaux de températures et d'humidité. Nos déshumidificateurs obtiennent de très bons résultats dans des lieux chauds, comme les salles de séjour, les bureaux ou les chambres. La quantité d'air chaud retirée par le climatiseur dépend de la température, du niveau d'humidité et du lieu d'installation. Les conditions météorologiques extérieures peuvent également affecter les performances de votre climatiseur.

Les climatiseurs de Wood's sont sûrs et ont été conçus pour une utilisation continue pendant de nombreuses années.

## COMMENT FONCTIONNE L'UNITÉ DE CLIMATISATION ?

La pression basse produit de l'air froid. L'élément principal du climatiseur est un réfrigérant, qui est converti en gaz à basse pression. Le processus « crée du froid », qui est transmis vers l'intérieur, tout en maintenant l'air chaud à l'extérieur. Un réfrigérant liquide traverse une vanne d'expansion et s'écoule dans un tuyau où la pression est basse. Le réfrigérant s'évapore et se transforme en gaz. Le processus absorbe la chaleur environnante et le tuyau est refroidi. Un ventilateur souffle l'air froid dans la pièce. Le gaz traverse un compresseur, qui augmente la pression et convertit le gaz en liquide. Lors de ce processus, la chaleur est libérée, qui est conduit aux tuyaux sur le côté opposé et soufflée par un ventilateur. Un thermostat éteint l'unité lorsque l'air intérieur est assez froid.

## 1. AVERTISSEMENTS DE SÉCURITÉ



Matériau inflammable. Cet appareil contient du R290/Propane, un réfrigérant inflammable.



Consulter ce manuel pour les informations de sécurité.



Lisez le manuel technique.



Lire le manuel de l'opérateur.

## INFORMATIONS DE SÉCURITÉ

Avant l'installation et l'utilisation de l'appareil, lire attentivement les instructions fournies. Le fabricant n'est pas responsable en cas de blessures ou de dommages découlant d'une mauvaise installation et une utilisation incorrecte. Toujours conserver les instructions avec l'appareil pour s'y reporter ultérieurement.

## Sécurité des enfants et des personnes vulnérables

### AVERTISSEMENT

Risque de blessure ou d'invalidité permanente.

Cet appareil peut être utilisé par des enfants à partir de 8 ans et des personnes ayant des capacités physiques, sensorielles ou mentales réduites, ou un manque d'expérience et de connaissances,

sous surveillance ou à condition d'avoir reçu des instructions concernant l'utilisation de l'appareil de manière sûre et d'avoir compris les dangers impliqués. Ne pas laisser les enfants jouer avec l'appareil.

Les enfants de moins de 3 ans doivent être tenus à l'écart, à moins d'être surveillés en permanence. Tenir tous les emballages éloignés des enfants.

Le nettoyage et l'entretien ne doivent pas être effectués par des enfants sans surveillance.

## Sécurité générale

Cet appareil est destiné à être utilisé dans des applications domestiques et autres installations similaires telles que : pièce à vivre, salle de séjour, espaces de cuisine pour le personnel dans les magasins, les bureaux et autres environnements professionnels. La plaque signalétique est située sur le côté ou l'arrière du climatiseur. Maintenir les ouvertures de ventilation dégagées.

Ne pas utiliser de dispositifs mécaniques ou d'autres moyens pour accélérer le processus de dégivrage, autres que ceux recommandés par le fabricant. L'appareil ne doit pas être entreposé dans une pièce avec des sources inflammables opérationnelles (par exemple : des flammes nues, un appareil à gaz ou un radiateur électrique). Ne pas percer ni brûler. Tenir compte du fait que les réfrigérants n'ont pas d'odeur.

Ne pas utiliser de pulvérisation d'eau ni de vapeur pour nettoyer l'appareil. Nettoyer l'appareil à l'aide d'un chiffon doux humide. Utiliser uniquement des détergents neutres. Ne pas utiliser de produits abrasifs, de tissus de nettoyage abrasifs, de solvants ni d'objets métalliques.

Si le cordon d'alimentation est endommagé, il doit être remplacé par le fabricant, son centre de service agréé ou des personnes qualifiées du même type pour éviter tout danger.

## CONSIGNES DE SÉCURITÉ

### Installation

#### AVERTISSEMENT

Cet appareil ne doit être installé que par une personne qualifiée. Enlever tout l'emballage.

Ne pas installer ni utiliser un appareil endommagé. L'appareil doit être installé, utilisé et entreposé dans une pièce d'une surface de plancher supérieure à 4 m<sup>2</sup> jusqu'à 4,2 m<sup>2</sup> (7K), 7,7 m<sup>2</sup> (9K), 9,6 m<sup>2</sup> (12K). Respecter les instructions d'installation fournies avec l'appareil.

Toujours déplacer l'appareil avec précaution car il est lourd. Toujours porter des gants de sécurité. Tenir compte du fait que les réfrigérants n'ont pas d'odeur.

Veiller à ce que l'air puisse circuler autour de l'appareil.

Attendre au moins 4 heures avant de brancher l'appareil à l'alimentation, afin de permettre à l'huile de revenir dans le compresseur.

Ne pas installer l'appareil à proximité de radiateurs ou d'autres sources de chaleur.

Ne pas installer l'appareil exposé à lumière directe du soleil.

### Raccordement électrique

#### AVERTISSEMENT

Risque d'incendie et de choc électrique.

L'appareil doit être raccordé à une prise de terre.

Vérifier que les informations électriques de la plaque signalétique correspondent à l'alimentation électrique. Si ce n'est pas le cas, contactez un électricien. Toujours utiliser une prise antichoc correctement installée.

Ne pas utiliser d'adaptateurs multi-fiches ni de rallonges.

Veiller à ne pas endommager les composants électriques (p. ex. fiche secteur, câble secteur). Contacter le centre de service agréé ou un électricien pour changer les composants électriques.

Le câble secteur doit rester sous le niveau de la fiche secteur.

Brancher la fiche secteur à la prise secteur uniquement à la fin de l'installation.

Veiller à ce qu'il soit possible d'accéder à la prise de courant après l'installation.

Ne pas tirer sur le câble secteur pour débrancher l'appareil. Toujours tirer sur la prise secteur.

### Utilisation

#### AVERTISSEMENT

Risque de blessures, de brûlures,

de chocs électriques ou d'incendie. Ne pas changer la spécification de cet appareil.

Veiller à ne pas endommager le circuit de réfrigérant. Il contient du propane (R290), un gaz naturel ayant un niveau élevé de compatibilité environnementale. Ce gaz est inflammable.

Si le circuit de réfrigérant est endommagé, vérifier qu'il n'y a pas de flammes ni de sources d'inflammation dans la pièce. Ventiler la pièce.

Ne pas placer de produits inflammables ou d'objets imbibés de produits inflammables près de l'appareil ou dessus.

### Mise au rebut

#### AVERTISSEMENT

Risque de blessure.

Débrancher l'appareil de l'alimentation secteur.

Couper le câble secteur et le mettre au rebut.

Le circuit de réfrigérant de cet appareil est sans danger pour la couche d'ozone. Contacter l'autorité municipale pour savoir comment mettre correctement l'appareil au rebut.

Ne pas endommager la partie de l'unité de réfrigération qui se trouve près de l'échangeur de chaleur.

## RÉGLAGE DU CLIMATISEUR POUR INSTALLATION

### 2. Installation

#### AVANT LA PREMIÈRE UTILISATION

Laissez la machine en position verticale pendant 2 heures avant l'utilisation. Cela permet à l'huile qui a pu fuir dans le système de refroidissement de refluer vers le compresseur. (Comme pour un réfrigérateur)

#### Important

1. Ce climatiseur peut être facilement déplacé à l'intérieur. Maintenez l'appareil en position verticale lors de son déplacement. Le climatiseur doit être placé sur une surface plane. Ne pas installer ou faire fonctionner ce climatiseur dans une salle de bain ou un autre environnement humide.

Étant donné que le climatiseur est sur roues, il est aisé de le changer de place. Lorsqu'il fait chaud, il suffit de déplacer votre climatiseur portable dans la pièce pour refroidir rapidement l'espace.

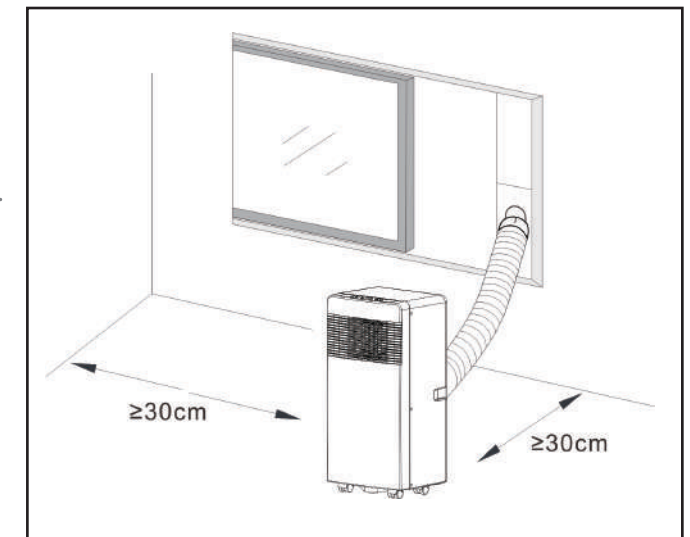
Le climatiseur doit être utilisé dans une zone fermée pour garantir une efficacité optimale.

Fermez toutes les portes, fenêtres et autres ouvertures de la pièce. Une ventilation élevée ou de grandes fenêtres avec la lumière directe du soleil peuvent affecter l'effet de refroidissement.

2. Placez le climatiseur dans un endroit qui ne bloque pas le débit d'air à travers l'avant de l'unité.

3. Un climatiseur fonctionnant dans une pièce aura peu ou pas d'effet sur le séchage d'une zone de rangement fermée adjacente comme une armoire, à moins qu'il n'y ait une circulation d'air adéquate dans et hors de la zone. Un climatiseur portable évacue la chaleur de l'unité avec un tuyau de ventilation à travers une fenêtre ou une soupape d'air d'échappement.

4. Il faut prévoir 30 cm de distance entre le climatiseur et l'objet le plus proche. Voir l'image à titre de référence.



## DESCRIPTION DU PRODUIT

## FONCTION DES MODES DE FONCTIONNEMENT ET DESCRIPTIONS D'INSTALLATION

### 3. Description du produit

- |   |  |   |
|---|--|---|
| <p><b>A</b></p> <ol style="list-style-type: none"> <li>Tuyau d'air d'échappement</li> <li>Raccord du tuyau d'air d'échappement au courant CA</li> <li>Raccord du tuyau d'air d'échappement au rail de fenêtre</li> <li>Télécommande</li> <li>Rail de fenêtre</li> <li>Prise d'eau</li> <li>Piles</li> <li>Tuyau d'évacuation de l'eau<br/>Longueur: 1m<br/>Diamètre: 10mm</li> </ol> <p><b>B</b></p> <ol style="list-style-type: none"> <li>Vue avant du produit</li> </ol> <p><b>C</b></p> <ol style="list-style-type: none"> <li>Panneau de commande</li> <li>Sortie d'air froid</li> <li>Récepteur de signal</li> <li>Télécommande</li> <li>Poignée de transport</li> <li>Tuyau de sortie d'air</li> <li>Admission d'air de l'évaporateur</li> <li>Sortie de vidange</li> </ol> <p><b>D</b></p> <ol style="list-style-type: none"> <li>Vue d'en haut du produit</li> </ol> <p><b>E</b></p> <ol style="list-style-type: none"> <li> Heures/Augmentation de la température</li> <li> Heures/Réduction de la température</li> <li>   Refroidissement automatique, Chauffage</li> <li>  Déshumidification, mode ventilateur</li> <li> Mode veille et sécurité enfant</li> <li> Oscillation</li> <li> Heures</li> <li> Mode de fonctionnement</li> <li> Vitesse du ventilateur (haute/basse)</li> <li> Bouton de marche/arrêt</li> <li> Voyant lumineux pour la vitesse de ventilateur sélectionnée</li> <li> Indicateur de fonctionnement (s'allume lorsque la machine est en fonctionnement)</li> <li> Voyant de sécurité enfant et du mode veille.</li> <li> WiFi</li> </ol> | <p><b>F</b></p> <ol style="list-style-type: none"> <li>Instructions de nettoyage de la crépine.</li> </ol> <p><b>G</b></p> <ol style="list-style-type: none"> <li> BOUTON Marche/arrêt</li> <li> BOUTON Appuyez sur ce bouton pour sélectionner le mode de fonctionnement.</li> <li> BOUTON Utilisé pour sélectionner la vitesse du ventilateur dans l'ordre.</li> <li> et  BOUTONS DE RÉGLAGE Utilisés pour régler la température ambiante et la minuterie.</li> <li> BOUTON Utilisé pour régler ou annuler  le mode de fonctionnement.</li> <li> BOUTON Utilisé pour régler l'heure d'arrêt automatique et de marche automatique.</li> <li> BOUTON Utilisé pour régler la fonction d'oscillation.</li> </ol> <p><b>H</b></p> <ol style="list-style-type: none"> <li>Tournez les extrémités du tuyau d'échappement dans les raccords comme indiqué.</li> </ol> <p><b>I</b></p> <ol style="list-style-type: none"> <li>Instructions d'installation du tuyau d'air d'échappement</li> </ol> | <p><b>J</b></p> <ol style="list-style-type: none"> <li>Instructions d'installation du rail de fenêtre REMARQUE ! Ce rail de fenêtre ne convient pas à tous les types de fenêtres. Nous recommandons le kit d'étanchéité de fenêtre Wood's (référence : wac_wk) si ce rail ne convient pas.</li> </ol> <p><b>K</b></p> <ol style="list-style-type: none"> <li>Proposition d'installation du rail de fenêtre</li> </ol> <p><b>L</b></p> <ol style="list-style-type: none"> <li>Instructions d'installation du tuyau de vidange (REMARQUE ! Le tuyau n'est pas inclus. La buse est adaptée à un tuyau de 10 mm)</li> </ol> |
|---|--|---|

**A. Accessoires**  
Après le déballage, vérifiez que les accessoires mentionnés ci-dessus sont inclus et vérifiez leur fonction dans l'introduction à l'installation dans ce manuel. L'accessoire n° 6 est déjà monté en bas à l'arrière de la machine.

**B. Climatisation portatif**  
**G. Apparence et fonctions de la télécommande.**  
Remarques :- Ne faites pas tomber la télécommande.-  
Ne placez pas la télécommande à un endroit directement exposé aux rayons du soleil.

**A. Introduction à l'utilisation**  
Avant de commencer les opérations décrites dans cette section :  
1) Placez le climatiseur à proximité d'une prise électrique raccordée à la terre.

2) Installez le tuyau d'échappement et réglez soigneusement la position de la fenêtre.

3) Branchez le cordon d'alimentation à une prise CA 220~240 V/50 Hz mise à la terre.

4) Appuyez sur le bouton POWER pour mettre le climatiseur en marche.

H, I et K. Installation du tuyau d'air d'échappement

**M) Installation temporaire**  
1. Fixez les deux extrémités du tuyau d'échappement dans les raccords de tuyau.  
2. Insérez la pince de fixation carrée dans la sortie d'air à l'arrière de la machine.  
3. Placez l'autre extrémité du tuyau d'échappement sur l'appui de fenêtre proche.

**J et K : Installation du kit fenêtre coulissant**  
Le kit fenêtre coulissant s'installe dans la plupart des cas à l'horizontale ou à la verticale. Comme indiqué sur les figures 5 et 5a, vérifiez les dimensions min. et max. de la fenêtre avant l'installation.

1. Installez le kit fenêtre sur la fenêtre.  
2. Ajustez la longueur du kit fenêtre coulissant en fonction de la largeur ou hauteur de la fenêtre et fixez-le à l'aide du goujon.  
3. Fixez le support de tuyau au trou dans le rail de fenêtre

**O. Alarme de réservoir d'eau interne plein**  
Le réservoir d'eau à l'intérieur de la machine est équipé d'un moniteur de niveau qui détecte quand le réservoir est plein. Lorsque le récipient est plein, la machine s'éteint automatiquement et le code E4 s'affiche à l'écran.

**Il est très important de nettoyer régulièrement le filtre ; sinon le climatiseur pourrait perdre de sa capacité voire même d'être sérieusement endommagé.**

(Si le réservoir d'eau est plein, retirez le bouchon en caoutchouc au fond de l'appareil pour vidanger l'eau.) Nous vous recommandons de vidanger l'eau au-dessus d'un siphon de sol ou d'une plaque de four.  
(lorsque le réservoir d'eau est plein, retirez le bouchon en caoutchouc au fond de l'unité pour vidanger toute l'eau.)

Instructions d'entretien et déclaration d'entretien :  
1) Avant le nettoyage, assurez-vous de débrancher l'unité de la prise d'alimentation électrique.  
2) N'utilisez pas d'essence ou d'autres produits chimiques pour nettoyer l'unité.  
3) Évitez de rincer l'appareil directement à l'eau.

4) Si la machine est endommagée, veuillez contacter votre revendeur.  
1. Le filtre à air  
-Si le filtre à air est colmaté par de la poussière/saleté, il doit être nettoyé toutes les deux semaines.  
-Démontage  
Ouvrez la grille d'entrée d'air et déposez le filtre à air.

-Nettoyage  
Nettoyez le filtre à air avec un détergent neutre dans de l'eau tiède (40 °C) et laissez-le sécher à l'ombre.  
-Montage  
Placez le filtre à air dans la grille d'entrée et remplacez les composants dans leur position d'origine.

2. Nettoyez la surface avec un détergent neutre et un chiffon humide, puis essuyez-la avec un chiffon sec.

**E. Avant l'utilisation**  
Vérifiez que le tuyau d'échappement a été monté correctement.  
Mises en garde pour les opérations de refroidissement et de déshumidification :  
-Lorsque vous utilisez des fonctions en mode de refroidissement et de déshumidification, maintenez un intervalle d'au moins 3 minutes entre chaque MISE SOUS TENSION.

-L'alimentation électrique correspond aux exigences.

-La prise est destinée à une utilisation CA.  
-Ne partagez pas la même prise avec d'autres appareils.

-L'alimentation électrique est CA 220-240 V, 50 Hz

1. Allumez l'unité.  
a) Branchez, puis l'appareil émet un seul bip, « O ». Le voyant d'alimentation est allumé.

b) Appuyez sur le bouton « », pour allumer l'appareil.  
c) La DEL affiche la température ambiante en mode automatique.

2. Opération de refroidissement/Fonction chauffage  
-Appuyez sur le bouton « Mode » jusqu'à ce que l'icône de flocon de neige /l'icône du soleil s'affiche sur le panneau.

-Appuyez sur le bouton « + » ou « - » pour sélectionner la température ambiante souhaitée. (15 °C -31 °C)

-Appuyez sur le bouton « Fan Speed » pour sélectionner la vitesse du ventilateur.

3. Opération de déshumidification  
-Appuyez sur le bouton « Mode » jusqu'à ce que l'icône « Déshumidification » apparaisse.

-Réglez automatiquement la température sélectionnée sur la température ambiante actuelle moins 2 °C.

## FONCTION DES MODES DE FONCTIONNEMENT ET DESCRIPTIONS D'INSTALLATION

-Réglez automatiquement le moteur du ventilateur sur la vitesse BASSE.

4. Fonctionnement du ventilateur

-Appuyez sur le bouton « Mode » jusqu'à ce que l'icône « Ventilateur » apparaisse.  
-Appuyez sur le bouton « Fan Speed » pour sélectionner la vitesse du ventilateur.

5. ☺ Utilisation de la minuterie

a) Appuyez sur le bouton « Minuterie » pour définir l'heure à laquelle l'unité s'éteindra automatiquement.

b) Appuyez sur le bouton de minuterie pour un démarrage programmé.

c) L'heure peut être réglée dans une plage allant de 1 heure à 24 heures. Appuyez sur le bouton d'augmentation de la température (+) ou de diminution de la température (-) pour augmenter ou diminuer l'heure par intervalle d'une heure en appuyant une fois.

6. ☺ Fonctionnement

a) L'unité ☺ fonctionnera lorsqu'elle est définie sur le mode ☼.

b) Appuyez sur le bouton ☺ en mode ☼, pour activer le mode veille. En mode veille, le ventilateur fonctionnera à basse vitesse. La température réglée augmente de 1 °C au bout d'une heure et augmente de 2 °C au bout de deux heures. Au bout de 6 heures, l'appareil s'éteint. Si la température augmente de plus de 2 °C au-dessus de la valeur réglée, la machine démarre en plein fonctionnement.

7. ⇄ Oscillation

a) Lorsque le bouton Oscillation est activé, la pale oscillante se balance automatiquement de haut en bas. Si vous voulez arrêter l'oscillation de la pale, appuyez à nouveau sur ce bouton.

Révision

Si le climatiseur nécessite un entretien, vous devez d'abord contacter votre

revendeur local.

Une preuve d'achat vous sera demandée pour toute réclamation sous garantie.

Instructions de stockage

Stockage en fin de saison

1) Nous vous recommandons de vidanger l'eau au-dessus d'un siphon de sol ou d'une plaque de cuisson. Dévissez le couvercle de vidange et sortez le bouchon pour vider complètement l'eau.

2) Faites marcher l'unité en mode ventilateur pendant une demi-journée pour sécher complètement l'intérieur de l'unité et l'empêcher de moisir.

3) Éteignez l'unité, retirez le bouchon, puis enroulez le cordon d'alimentation autour de la colonne de bobinage de fil. Insérez le bouchon dans le trou de fixation universel sur le panneau arrière de l'appareil et mettez en place le bouchon d'eau et le couvercle de vidange.

4) Retirez l'ensemble du tuyau d'échappement de chaleur, nettoyez-le et conservez-le en lieu sûr.

Remarque :

Enfoncez les crochets.

Tenez l'ensemble du tuyau d'échappement à deux mains lors du retrait.

Poussez les fixations de côté sur la sortie d'air d'échappement avec les pouces, puis sortez l'ensemble du tuyau d'échappement.

5) Emballez soigneusement le climatiseur dans un sac en plastique souple, placez-le dans un endroit sec et prenez les mesures appropriées pour le protéger de la poussière. Conservez l'appareil hors de portée des enfants.

6) Retirez les piles de la télécommande et conservez cette dernière en lieu sûr.

Remarque :

\* Assurez-vous que l'unité est stockée

dans un endroit sec.

Tous les accessoires de l'appareil doivent être rangés ensemble et correctement protégés.

\* Le support de cordon d'alimentation et la prise universelle protègent le cordon d'alimentation.

\* Position élevée de la sortie d'air d'échappement, offre un montage simple et une ventilation rapide.

\* Le système de refroidissement auto-évaporateur de l'unité est intelligent, respectueux de l'environnement et économe en énergie.

\* Dispose d'une fonction de minuterie de 24 heures, avec musique de marche/arrêt unique.

\* Délai de 3 minutes au redémarrage du compresseur en guise de protection.

### Fonction WiFi

#### 1. Téléchargez et installez l'APP

Téléchargez l'application Woods Connect dans l'App Store ou dans Google Play

1. S'inscrire/Se connecter/Mot de passe oublié

S'inscrire

Si vous n'avez pas de compte pour l'application, créez-en un ou inscrivez-vous avec le code de vérification reçu par SMS.

Cette page décrit le processus d'inscription.

2. Appuyez pour accéder à la page d'inscription.

3. Le système reconnaît votre pays/zone automatiquement. Vous pouvez également sélectionner votre code pays. Saisissez le numéro de mobile/e-mail et appuyez sur « Suivant ».

4. Si vous saisissez le numéro de mobile, saisissez ensuite le code de vérification dans le message et saisissez le mot de passe, puis appuyez sur « Confirmer » pour terminer votre inscription.

5. Si vous saisissez l'e-mail, saisissez ensuite le mot de passe et appuyez sur « Confirmer » pour terminer votre inscription.

#### 2. Connectez-vous avec votre nom d'utilisateur et votre mot de passe ou votre code de vérification via SMS

**Connectez-vous avec votre nom d'utilisateur et votre mot de passe.**

1. Le système reconnaît votre pays/zone automatiquement. Vous pouvez également sélectionner votre code pays. Saisissez le numéro de mobile/

e-mail et appuyez sur « Suivant ».

2. Saisissez votre numéro de mobile ou e-mail enregistré et votre mot de passe pour vous connecter.

**Connectez-vous avec votre code de vérification**

1. Appuyez sur « Me connecter par vérification SMS » sur la nouvelle page.  
2. Le système reconnaît votre pays/zone automatiquement. Vous pouvez également sélectionner votre code pays vous-même.

**Mot de passe oublié**

Si vous avez oublié votre mot de passe, veuillez suivre les procédures suivantes :

1. Appuyez sur « Mot de passe oublié ».

2. Le système reconnaît votre pays/zone automatiquement. Vous pouvez également sélectionner votre code pays vous-même. Saisissez le numéro de mobile/e-mail et appuyez sur « Suivant ».

3. Saisissez le code de vérification dans le message/e-mail, puis saisissez le nouveau mot de passe et appuyez sur « Confirmer » pour terminer.

**Woods Connect prend en charge les fonctions ci-dessous :**

- Marche/Arrêt
- Mode de refroidissement
- Mode déshumidification
- Mode ventilateur
- Mode Éco
- Réglages de température
- Vitesse : basse et haute
- Minuterie : 1-24 h
- Veille : Marche/Arrêt
- Nettoyage automatique : Marche/Arrêt
- Celsius/Fahrenheit
- Oscillation : Marche/Arrêt

### 3. Suivez les procédures de l'application pour profiter des fonctionnalités WiFi.

#### Domotique

Si vous avez un produit Smart Home, veuillez effectuer les étapes 1 à 3.

Service d'accès tiers : Touchez sur une icône de service vocal tiers pour voir comment vous connecter au service.

Smart Home Woods Connect prend en charge les fonctions suivantes par commande vocale :

Marche/Arrêt

Réglages de température

Réglages de mode

Réglages de vitesse du ventilateur

Pour de plus amples informations, consultez : <https://woods.se/en/>



PROBLÈME	CAUSE	SOLUTION
Une pression sur le bouton de marche/arrêt ne fait pas démarrer l'unité	Débranché/La prise ou la douille est endommagée.	Branchez l'unité ou remplacez la prise d'alimentation ou la douille.
	Un fusible est grillé ou cassé.	Remplacez le fusible (3,15 A/250 VCA).
	La température ambiante est inférieure à la température réglée. (Mode de refroidissement)	Réinitialisez la température.
Pas assez froid	Les portes ou fenêtres ne sont pas fermées.	Vérifiez que toutes les portes et fenêtres sont fermées.
	Il y a des sources de chaleur dans la pièce.	Si possible, éliminez toutes les sources de chaleur.
	Le tuyau d'air d'échappement est débranché ou bloqué.	Branchez ou nettoyez le tuyau d'air d'échappement.
	Le réglage de température est trop élevé.	Réinitialisez la température.
	L'entrée d'air est bloquée.	Nettoyez l'entrée d'air.
Niveau sonore élevé	Le sol n'est pas assez plat.	Placez l'unité sur un sol plat, si possible.
	Le bruit est dû à l'écoulement du réfrigérant à l'intérieur du climatiseur	Il est normal.
Si vous rencontrez des problèmes avec votre climatiseur portatif, veuillez consulter la section de dépannage ci-dessous. Si aucune des recommandations ne fonctionne, veuillez contacter votre détaillant pour la révision de votre climatiseur.		

Codes d'erreur	CAUSE	SOLUTION
Code E2	Défaillance ou erreur du capteur de température ambiante	Remplacez le capteur de température ambiante.
Code E3	Défaillance du capteur de température de l'évaporateur	Remplacez le capteur de température de l'évaporateur.
Code E4	Le réservoir d'eau est plein.	Videz le réservoir d'eau.

## Garanties

Garantie consommateur de 2 ans contre les défauts de production. Veuillez noter que la garantie est uniquement valable en produisant un reçu. La garantie est uniquement valable si le produit est utilisé conformément aux instructions et aux avertissements de sécurité indiqués dans ce manuel. La garantie ne couvre pas les dommages causés par la manipulation inadaptée du produit.

**REMARQUE :** La garantie de 2 ans est uniquement applicable aux consommateurs et pas à l'utilisation commerciale de l'unité.



### REMARQUE !

Inscrivez-vous sur le site [www.warranty-woods.com](http://www.warranty-woods.com) et découvrez comment prolonger la garantie. Rendez-vous sur [www.woods.se](http://www.woods.se) pour plus d'informations.

### Limites conseillées lors de l'utilisation

La meilleure température ambiante de fonctionnement pour le refroidissement est comprise entre 17 et 35 °C.  
Paramètre de fusible : φ5,0 x 20 mm 3,15 A, 250 Vca.

CARACTÉRISTIQUES TECHNIQUES	AC Milan 7K Duo WiFi Smart Home	AC Milan 9K Duo WiFi Smart Home
Capacité de refroidissement/Puissance de chauffage rendue	2000 W/1500 W	2600 W/2000 W
Consommation électrique	750 W/600 W	950 W/750 W
Débit d'air :	350 m³/h	350 m³/h
Classe d'énergie	A	A
Déshumidification	19 l/24 h	24 l/24 h
Réglage de température	15-31 °C	15-31 °C
Température de fonctionnement	16-43 °C	16-43 °C
EER	2,6	2,7
Longueur du tuyau d'air d'échappement	1,5 m	1,5 m
Diamètre du tuyau d'air d'échappement	155 mm	155 mm
Gaz réfrigérant	R290/100 g	R290/160 g
Niveau sonore en décibels	51 dB	51 dB
Poids	22.5 kg	24.5 kg
Dimensions en mm, L x l x H	355x350x700	355x350x700

\*Des modifications et des améliorations techniques peuvent être apportées. Toutes les valeurs sont approximatives et peuvent varier en raison des circonstances externes telles que la température, la ventilation et l'humidité.



\*Ce marquage indique que ce produit ne doit pas être jeté avec d'autres déchets ménagers dans toute l'UE. Afin d'éviter qu'une mise au rebut incontrôlée des déchets ne nuise à l'environnement ou à la santé humaine, recyclez l'appareil de manière responsable afin de promouvoir la réutilisation durable des ressources matérielles. Pour retourner votre appareil, veuillez utiliser les systèmes de retour et de collecte ou contacter le détaillant chez lequel le produit a été acheté. Il peut reprendre ce produit pour un recyclage environnemental sûr.



\*Les piles usagées ne doivent pas être jetées avec les ordures ménagères, car elles peuvent contenir des éléments toxiques et des métaux lourds nocifs pour l'environnement et dangereux pour la santé. Rapportez les piles usagées à un centre de recyclage approprié.

## ES ELIJA WOOD'S SI QUIERE DISFRUTAR DE UN AIRE INTERIOR LIMPIO Y SALUDABLE

La marca Wood's nació con la familia Wood's hace más de 65 años en la ciudad canadiense de Guelph, Ontario. Aquí es donde Wood's empezó a desarrollar y fabricar deshumidificadores en 1950. Desde entonces, Wood's ha ayudado a varios cientos de miles de hogares a prevenir los daños que provocan el moho y la humedad, y a respirar aire más limpio. Nuestros aires acondicionados portátiles son aptos para su uso en la mayoría de los climas, ya que la capacidad es buena incluso a diferentes temperaturas y niveles de humedad. Se utilizan con buenos resultados en instalaciones que acumulan calor, como salas de estar, oficinas o dormitorios. La cantidad de aire caliente que elimina el aire acondicionado depende de la temperatura, el nivel de humedad y la colocación. Las condiciones meteorológicas externas también pueden afectar al rendimiento del aire acondicionado.

Los aires acondicionados de Wood's son seguros en funcionamiento y están diseñados para su uso continuo durante muchos años.

### ¿CÓMO FUNCIONA LA UNIDAD DE AIRE ACONDICIONADO?

La baja presión da aire frío. El elemento principal del aire acondicionado es un refrigerante que, a baja presión, se convierte en gas. El proceso «crea frío», que se transmite hacia adentro, manteniendo el aire caliente fuera. Un refrigerante líquido atraviesa una válvula de expansión y penetra en una tubería donde la presión es baja. El refrigerante se evapora y se convierte en un gas. El proceso absorbe el calor del entorno y la tubería se enfría. Un ventilador sopla el aire frío en la habitación. El gas atraviesa un compresor, que aumenta la presión y convierte el gas en líquido. En este proceso, se libera calor, que se lleva a las tuberías del lado opuesto y que expulsa un ventilador. Un termostato apaga la unidad cuando el aire interior está lo suficientemente frío.

## 1. ADVERTENCIAS DE SEGURIDAD



Material inflamable. Este electrodoméstico contiene R290/propano, un refrigerante inflamable.



Para obtener información sobre seguridad, consulte este manual.



Lea el Manual técnico.



Lea el Manual del operador.

### INFORMACIÓN DE SEGURIDAD

Antes de la instalación y uso del electrodoméstico, lea detenidamente las instrucciones suministradas. El fabricante no es responsable de las lesiones y los daños provocados como consecuencia de una instalación y un uso incorrectos. Guarde siempre las instrucciones con el electrodoméstico para consultarlas en el futuro.

### Seguridad de los niños y de las personas vulnerables

#### ADVERTENCIA

Riesgo de lesiones o incapacidad permanente. Este electrodoméstico puede ser utilizado por niños desde los 8 años y personas con capacidades

físicas, sensoriales o mentales reducidas o falta de experiencia y conocimientos si se les ha dado supervisión o instrucciones sobre el uso del electrodoméstico de manera segura y comprenden los riesgos que implica. No permita que los niños jueguen con el electrodoméstico.

Los niños menores de 3 años deben mantenerse alejados, a menos que estén continuamente supervisados. Mantenga todo el embalaje lejos de los niños. La limpieza y el mantenimiento del usuario no se deben realizar por niños sin supervisión.

### Seguridad general

Este electrodoméstico está diseñado para ser utilizado en aplicaciones domésticas y similares tales como: salas de estar, comedores, zonas de la cocina del personal en tiendas, oficinas y otros entornos de trabajo. La placa de clasificación se encuentra en la parte lateral o posterior del aire acondicionado. Mantenga las aperturas de ventilación libres de obstrucciones.

No utilice dispositivos mecánicos ni otros medios para acelerar el proceso de descongelación, excepto los recomendados por el fabricante. El electrodoméstico no debe guardarse en una habitación con fuentes de ignición que estén en funcionamiento (por ejemplo, llamas abiertas, un aparato de gas en funcionamiento o un calentador

eléctrico que funcione). No lo perforo ni lo queme. Tenga en cuenta que es posible que los refrigerantes no contengan olor. No utilice agua pulverizada ni vapor para limpiar el electrodoméstico. Limpie el electrodoméstico con un paño suave y húmedo. Utilice solo detergentes neutros. No utilice productos abrasivos, almohadillas de limpieza abrasivas, disolventes ni objetos metálicos. Si el cable de alimentación está dañado, debe ser sustituido por el fabricante, su Centro de servicio autorizado o por personas de cualificación similar para evitar riesgos.

### INSTRUCCIONES DE SEGURIDAD

#### Instalación **ADVERTENCIA**

Solo una persona cualificada debe instalar este electrodoméstico. Retire todo el embalaje. No instale ni utilice un electrodoméstico dañado. El electrodoméstico debe instalarse, manejarse y guardarse en una habitación con una superficie de suelo superior a 4 m<sup>2</sup> a 4,2 m<sup>2</sup>(7k), 7,7 m<sup>2</sup> (9K), 9,6 m<sup>2</sup>(12K). Siga las instrucciones de instalación suministradas con el electrodoméstico. Tenga siempre cuidado al mover el electrodoméstico porque es pesado. Use siempre guantes de seguridad. Tenga en cuenta que es posible que los refrigerantes no contengan olor.

Asegúrese de que el aire pueda circular alrededor del electrodoméstico.

Espera al menos 4 horas antes de conectar el electrodoméstico a la fuente de alimentación. De esta manera, se permite que el aceite vuelva a entrar en el compresor. No instale el electrodoméstico cerca de radiadores ni otras fuentes de calor. No instale el electrodoméstico donde haya luz directa del sol.

### Conexión eléctrica

#### ADVERTENCIA

Riesgo de incendio y de descarga eléctrica. El electrodoméstico debe conectarse a una toma de corriente conectada a tierra. Asegúrese de que la información eléctrica de la placa de clasificación coincida con la fuente de alimentación. De lo contrario, póngase en contacto con un electricista. Utilice siempre un enchufe a prueba de descargas correctamente instalado. No utilice adaptadores de enchufes múltiples ni alargadores. Asegúrese de no causar daños a los componentes eléctricos (p. ej., enchufe de red, cable de red). Póngase en contacto con el Centro de asistencia autorizado o con un electricista para cambiar los componentes eléctricos. El cable de red debe permanecer por debajo del nivel del enchufe de red. Conecte el enchufe de la red a la toma de corriente solamente al final de la instalación. Asegúrese de que haya acceso al enchufe de red después de la instalación. No tire del cable de red para desconectar el electrodoméstico.

Tire siempre del enchufe de red.

### Uso

#### ADVERTENCIA

Riesgo de lesiones, quemaduras, descargas eléctricas o incendios. No modifique las especificaciones de este electrodoméstico.

Tenga cuidado de no causar daños en el circuito refrigerante. Contiene propano (R290), un gas natural con un alto nivel de compatibilidad medioambiental. Este gas es inflamable.

Si se produce algún daño en el circuito del refrigerante, asegúrese de que no haya llamas y fuentes de ignición en la habitación. Ventile la habitación. No deje productos inflamables ni artículos que estén mojados con productos inflamables cerca o sobre el electrodoméstico.

### Eliminación

#### ADVERTENCIA

Riesgo de lesiones. Desconecte el electrodoméstico de la red eléctrica. Corte el cable de alimentación y deséchelo. El circuito refrigerante de este electrodoméstico es respetuoso con el ozono. Póngase en contacto con las autoridades municipales para obtener información sobre cómo desechar el electrodoméstico correctamente. No provoque daños en la parte de la unidad de refrigeración que está cerca del intercambiador de calor.

## CONFIGURACIÓN DEL AIRE ACONDICIONADO DE CARA A SU INSTALACIÓN

### 2. Instalación

#### ANTES DE UTILIZARLO POR PRIMERA VEZ

Deje reposar la unidad en posición vertical durante 2 horas antes de usarla. De esta forma, el aceite que pueda haberse filtrado al sistema de refrigeración podrá retornar al compresor. (Como se haría con una nevera)

#### Importante

1. Este aire acondicionado se puede cambiar de ubicación en interiores convenientemente. Mantenga la unidad en posición vertical mientras la mueve. El aire acondicionado se debe colocar sobre una superficie plana.

No instale ni utilice este aire acondicionado en un cuarto de baño ni en ningún otro lugar húmedo.

Puesto que el aire acondicionado portátil tiene ruedas, resulta fácil cambiarlo de sitio. Cuando haga calor, solo tiene que mover su aire acondicionado portátil y colocarlo en la habitación que desee para empezar a enfriarla rápidamente.

El aire acondicionado se debe utilizar en un área cerrada para que sea más eficaz.

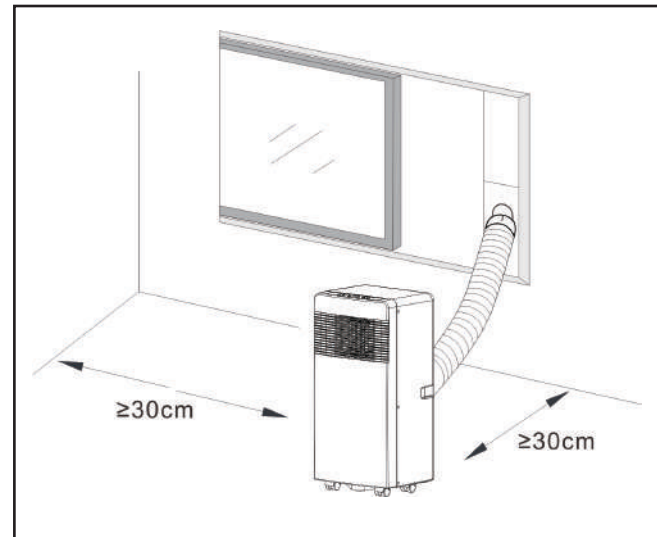
Cierre todas las puertas, ventanas y otras aberturas que tenga la habitación.

Si hay mucha ventilación o ventanas de grandes dimensiones con luz solar directa, el enfriamiento puede verse afectado.

2. Coloque el aire acondicionado en un lugar que no impida el flujo de aire a través de la parte delantera de la unidad.

3. Un aire acondicionado que esté funcionando en una habitación tendrá poco o ningún efecto a la hora de secar un área de almacenamiento cerrada adyacente, como puede ser un armario, a menos que haya una circulación adecuada de aire dentro y fuera del área. Un aire acondicionado portátil evacúa el calor de la unidad con una manguera de ventilación a través de una ventana o una válvula de aire de escape.

4. Debe haber una distancia mínima de 30 cm entre el aire acondicionado y el objeto más cercano. Consulte la imagen a modo de referencia.



## DESCRIPCIÓN DEL PRODUCTO

### 3. Descripción del producto

- |  |   |   |
|--|---|---|
| <p><b>A</b></p> <ol style="list-style-type: none"> <li>Manguera de aire de escape</li> <li>Conexión de la manguera de aire de escape al aire acondicionado</li> <li>Conexión de la manguera de aire de escape al riel de la ventana</li> <li>Mando a distancia</li> <li>Riel de la ventana</li> <li>Tapón del agua</li> <li>Pilas</li> <li> tubo de agua<br/>Longitud: 1m<br/>Diámetro: 10mm</li> </ol> <p><b>B</b></p> <ol style="list-style-type: none"> <li>Imagen de la parte delantera del producto</li> </ol> <p><b>C</b></p> <ol style="list-style-type: none"> <li>Panel de control</li> <li>Salida de aire frío</li> <li>Receptor de señal</li> <li>Mando a distancia</li> <li>Asa de transporte</li> <li>Manguera de salida de aire</li> <li>Entrada de aire del evaporador</li> <li>Salida de desagüe</li> </ol> <p><b>D</b></p> <ol style="list-style-type: none"> <li>Imagen de la parte superior del producto</li> </ol> <p><b>E</b></p> <ol style="list-style-type: none"> <li>+ Horas / Subir la temperatura</li> <li>- Horas / Bajar la temperatura</li> <li>AUTO ❄️ ☀️ Automático, Refrigeración, Calefacción<br/>💧 ≡ Deshumidificación, Modo ventilador</li> <li>😊 Modo de reposo y Bloqueo infantil</li> <li>↻ Oscilación/Giro</li> <li>🕒 Horas</li> <li>🔲 Modo de funcionamiento</li> <li>🌀 Velocidad del ventilador (alta/baja)</li> <li>🔌 Botón de encendido (encendido/apagado)</li> <li>🌟 Luz indicadora de la velocidad del ventilador seleccionada</li> <li>○ Indicador de funcionamiento (se enciende cuando la unidad está en funcionamiento)</li> <li>🛡️ 😊 Luz indicadora del bloqueo infantil y el modo de reposo.</li> <li>📶 wifi</li> </ol> | <p><b>F</b></p> <ol style="list-style-type: none"> <li>Instrucciones de limpieza de la rejilla del filtro.</li> </ol> <p><b>G</b></p> <ol style="list-style-type: none"> <li>🔌 BOTÓN Encendido/apagado</li> <li>🔄 BOTÓN Pulse este botón para seleccionar el modo de funcionamiento.</li> <li>🌀 BOTÓN Se utiliza para seleccionar la velocidad del ventilador en la secuencia.</li> <li>⏪ BOTONES DE CONFIGURACIÓN y ⏩ Se utilizan para configurar la temperatura de la habitación y el temporizador.</li> <li>😊 BOTÓN Se utiliza para confirmar o cancelar el 😊 funcionamiento del modo .</li> <li>🕒 BOTÓN Se utiliza para configurar una hora de encendido y apagado automático.</li> <li>🔲 BOTÓN Se utiliza para configurar la función de oscilación/giro.</li> </ol> <p><b>H</b></p> <ol style="list-style-type: none"> <li>Gire los extremos de la manguera de escape e introdúzcalos en los conectores como se indica.</li> </ol> <p><b>I</b></p> <ol style="list-style-type: none"> <li>Instrucciones de montaje de la manguera de aire de escape</li> </ol> | <p><b>J</b></p> <ol style="list-style-type: none"> <li>Instrucciones de montaje del riel de la ventana. NOTA: Este riel de ventana no es compatible con todos los tipos de ventana. Si este riel no es compatible, recomendamos el uso del kit de sellado para ventanas Wood's (número de artículo: wac_wk).</li> </ol> <p><b>K</b></p> <ol style="list-style-type: none"> <li>Propuesta de montaje del riel de la ventana</li> </ol> <p><b>L</b></p> <ol style="list-style-type: none"> <li>Instrucciones de montaje de la manguera de desagüe (NOTA: La manguera no está incluida. La boquilla está adaptada para una manguera de 10 mm)</li> </ol> |
|--|---|---|

## FUNCIONES DE LOS MODOS DE FUNCIONAMIENTO Y DESCRIPCIONES DE LA INSTALACIÓN

**A. Accesorios**  
Después de desembalar el producto, compruebe que estén todos los accesorios mencionados anteriormente y consulte para qué son en la introducción a la instalación de este manual. El accesorio n.º 6 ya viene instalado en la zona inferior de la parte posterior de la unidad.

**B. Aire acondicionado portátil**  
**G. Aspecto y funcionamiento del mando a distancia.**

Notas:- No deje caer el mando a distancia.- No coloque el mando a distancia en un lugar expuesto a la luz directa del sol.

**A. Introducción al funcionamiento**  
Antes de poner en marcha las operaciones incluidas en esta sección:

1) Coloque el aire acondicionado en un lugar desde el que haya acceso cercano a un enchufe hembra con toma de tierra.

2) Instale la manguera de escape y ajuste la posición de la ventana correctamente.

3) Introduzca el cable de alimentación en un enchufe hembra con toma de tierra de 220~240 VCA/50 Hz;

4) Pulse el botón POWER (encendido) para encender el aire acondicionado.

**H, I, y K. Instalación de la manguera de escape**

**M) Instalación temporal**

1. Gire los dos extremos de la manguera de escape e introdúzcalos en los conectores de la manguera.

2. Introduzca el clip de fijación cuadrado en la salida de aire de la parte posterior de la unidad.

3. Coloque el otro extremo de la manguera de escape en el alféizar más cercano.

**J y K: Instalación del kit de la corredera de las ventanas**

La forma de instalación del kit de la corredera de las ventanas es principalmente en «horizontal» y

«vertical». Como se muestra en las Fig. 5 y 5a, antes de la instalación se debe comprobar el tamaño mínimo y máximo de la ventana.

1. Instale el kit para ventanas en la ventana;  
2. Ajuste la longitud del kit de la corredera de las ventanas de acuerdo con la anchura o la altura de la ventana y fíjelo con el pasador;  
3. Acople la abrazadera de la manguera al orificio del riel de la ventana

**O. Alarma de depósito interior lleno de agua**  
El depósito de agua del interior de la

**Es muy importante que el filtro se limpie regularmente. De lo contrario, el aire acondicionado podría perder capacidad e incluso dañarse gravemente.**

unidad tiene un comprobador de nivel que detecta si el depósito está lleno. Cuando el depósito se llena, la unidad se apaga automáticamente y aparece el código E4 en la pantalla.

(Si el depósito de agua está lleno, quite el tapón de goma que hay en la parte inferior de la unidad para vaciar el agua). Le recomendamos que vacíe el agua en un desagüe situado en el suelo o en una bandeja de horno.

Cuando esté lleno de agua, retire el tope de goma de la parte inferior de la unidad y se evacuará toda el agua.

Instrucciones de cuidados y declaración de mantenimiento:

1) Antes de realizar la limpieza, asegúrese de desconectar la unidad de cualquier toma de corriente eléctrica;  
2) No use gasolina ni otros productos químicos para limpiar la unidad;  
3) No lave la unidad vertiendo agua directamente sobre ella

4) Si la unidad está dañada, póngase en contacto con el distribuidor

1. Filtro de aire

- Si el filtro de aire se obstruye con polvo/

suciedad, debe limpiarse una vez cada dos semanas.

- Desmontaje

Abra la rejilla de entrada de aire y quite el filtro de aire.

- Limpieza

Limpie el filtro de aire con un detergente neutro con agua tibia (40 °C) y déjelo secar a la sombra.

- Montaje

Coloque el filtro de aire en la rejilla de entrada, vuelva a poner los componentes como estaban.

2. Limpie la superficie con un detergente neutro y un paño húmedo y, a continuación, séquela con un paño seco.

**E. Antes de usarla**

Compruebe si la manguera de escape está montada correctamente.

Precauciones para las operaciones de refrigeración y deshumidificación:

- Cuando utilice las funciones de refrigeración y deshumidificación, mantenga un intervalo de al menos tres minutos entre cada una de ellas  
POWER (suministro eléctrico).

- La fuente de alimentación cumple los requisitos.

- El enchufe es para CA.

- No comparta un enchufe con otros electrodomésticos.

- La fuente de alimentación es de 220-240 VCA, 50 Hz

1. Encienda la unidad

a) Enchúfela, la unidad emitirá un pitido, «O». El indicador de alimentación está encendido.

b) Pulse el botón «⏻»; la unidad está encendida.

c) El LED muestra la temperatura ambiente y que está en el Modo automático.

2. Operación de refrigeración/Funcionamiento de la calefacción  
- Pulse el botón «Mode» (Modo) hasta que aparezca el icono del copo de nieve/solikon.

- Pulse el botón «+» o «-» para seleccionar la temperatura ambiente deseada.

(15 °C -31 °C)

- Pulse el botón «Fan Speed» (Velocidad del ventilador) para seleccionar la velocidad del aire.

## FUNCIONES DE LOS MODOS DE FUNCIONAMIENTO Y DESCRIPCIONES DE LA INSTALACIÓN

3. Operación de deshumidificación  
Pulse el botón «Mode» (Modo) hasta que aparezca el icono «Dehumidify» (Deshumidificar).

- Ajuste automáticamente la temperatura seleccionada a la temperatura ambiente actual menos 2° C.

- Ajuste automáticamente el motor del ventilador a una velocidad de aire BAJA (LOW).

4. Funcionamiento del ventilador

- Pulse el botón «Mode» (Modo) hasta que aparezca el icono «Fan» (Ventilador).

- Pulse el botón «Fan Speed» (Velocidad del ventilador) para seleccionar la velocidad del aire.

5. ⏸ Funcionamiento del temporizador

a) Pulse el botón «Timer» (temporizador) para establecer la hora de apagado automático mientras la unidad está en funcionamiento.

b) Pulse el botón del temporizador para configurar un encendido programado.

c) La hora se puede ajustar en un rango de 1 a 24 horas. Pulse el botón de ascenso de la temperatura (+) o de descenso de la temperatura (-) para subir o bajar el tiempo en 1 hora con cada pulsación.

6. ⏸ Funcionamiento

a) El funcionamiento ⏸ es eficaz cuando la unidad está en modo ❄.

b) Pulse el botón ⏸ en el modo ❄, para activar el modo de reposo. En el modo de reposo, el ventilador funcionará a baja velocidad. La temperatura configurada sube 1 °C transcurrida una hora y 2 °C transcurridas dos horas. Después de 6 horas, la unidad se apaga. Si la temperatura sube más de 2 °C por encima de la temperatura configurada, la unidad comenzará a funcionar con normalidad.

7. ⤴ Oscilación / Giro

a) Cuando se activa el botón de Oscilación / Giro, la hoja de giro se balancea hacia arriba y hacia abajo automáticamente. Si

desea detenerla, pulse el botón de nuevo.

**Servicio**

Si el aire acondicionado requiere una puesta a punto, primero debe ponerse en contacto con su vendedor minorista local. Para cualquier reclamación dentro de la garantía, es preciso presentar una prueba de compra.

**Instrucciones de almacenamiento**

**Almacenamiento al final de la temporada**

1) Le recomendamos que vacíe el agua en un desagüe situado en el suelo o en una bandeja de horno. Desatornille la tapa de drenaje y extraiga el tapón para drenar completamente el agua condensada.

2) Mantenga la unidad en funcionamiento durante medio día para secarla por dentro por completo. Así evitará que le salga moho.

3) Apague la unidad, desenchúfela y, a continuación, envuelva el cable de alimentación alrededor del poste de bobinado. Introduzca el enchufe en el orificio de fijación universal del panel trasero de la unidad, coloque el tapón del agua y la tapa de drenaje.

4) Quite el conjunto de la manguera de escape de calor, límpiela y guárdelo correctamente.

**Nota:**

Empuje las abrazaderas, Cuando lo retire, agarre el conjunto de la manguera de escape con ambas manos. Empuje con los pulgares los cierres a un lado en la salida de aire de escape y, a continuación, extraiga el conjunto de la manguera de escape.

5) Embale el aire acondicionado cuidadosamente con una bolsa de plástico, colóquelo en un lugar seco y tome las medidas oportunas para protegerlo del polvo. Mantenga la unidad fuera del alcance de los niños.

6) Saque las pilas del mando a distancia y guárdelas correctamente.

**Nota:**

\*Asegúrese de que la unidad se almacena en un lugar seco. Todos los accesorios de la unidad se deben almacenar juntos correctamente protegidos.

\* El soporte del cable de alimentación y el enchufe universal protegen el cable de alimentación.

\* Al colocar la salida de la manguera de aire de escape en un lugar elevado, se consigue un montaje sencillo y una ventilación rápida.

\* El sistema de refrigeración autoevaporativo es inteligente, respetuoso con el medio ambiente y ahorra energía.

\* Cuenta con función de temporizador de 24 horas, con un tono musical de encendido / apagado único.

\* Como medida de protección, hay un retraso de 3 minutos para reiniciar el compresor.

## Función wifi

### 1. Descarga e instalación de la app

Descargue la aplicación Woods Connect desde App Store o Google Play

1. Registro/Inicio de sesión/He olvidado mi contraseña

**Registro**  
Si no tiene una cuenta en la app, registre una cuenta o inicie sesión con el código de verificación que recibirá por SMS. En esta página se describe el proceso de registro.

2. Toque para entrar en la página de registro.

3. El sistema reconoce automáticamente su país / zona. También puede seleccionar el código de su país. Introduzca el número de teléfono móvil/el correo electrónico y toque en «Siguiente».

4. Si indica un número de teléfono móvil, introduzca el código de verificación del mensaje y la contraseña. Toque en «Confirmar» para finalizar su registro.

5. Si indica el correo electrónico, introduzca la contraseña y toque en «Confirmar» para finalizar su registro.

### 2. Inicio de sesión con nombre de usuario y contraseña o código de verificación a través de SMS

#### Inicio de sesión con nombre de usuario y contraseña

1. El sistema reconoce automáticamente su país / zona. También puede seleccionar el código de su país. Introduzca el número de teléfono móvil / correo electrónico y

toque en «Siguiente».

2. Introduzca el número de teléfono móvil o el correo electrónico registrados y la contraseña para iniciar sesión.

#### Inicio de sesión con código de verificación

1. Toque en «Iniciar sesión con verificación por SMS» en la nueva página.  
2. El sistema reconoce automáticamente su país / zona. También puede seleccionar el código de su país usted mismo.

#### He olvidado mi contraseña

Si ha olvidado su contraseña, haga lo siguiente:

1. Toque en «He olvidado mi contraseña».

2. El sistema reconoce automáticamente su país / zona. También puede seleccionar el código de su país usted mismo. Introduzca el número de teléfono móvil/el correo electrónico y toque en «Siguiente».

3. Introduzca el código de verificación en el mensaje / correo electrónico e introduzca la nueva contraseña. Toque en «Confirmar» para finalizar.

#### Woods Connect admite las siguientes funciones:

- Encendido/Apagado
- Modo de refrigeración
- Modo de deshumidificación
- Modo de ventilador
- Modo ecológico
- Ajustes de temperatura
- Velocidad: Bajo y alto
- Temporizador: 1-24 h
- Reposo: Activado/Desactivado
- Limpieza automática: Activado/Desactivado
- Celsius/Fahrenheit
- Giro: Activado/Desactivado

### 3. Para disfrutar de las funciones wifi, siga los pasos indicados en la APP.

#### Smart Home

Si tiene un producto Smart Home, realice los pasos de 1 a 3.

Servicio de acceso de terceros: Toque en un icono de servicio de voz de terceros para ver cómo conectarse al servicio.

Smart Home Woods Connect es compatible con las siguientes funciones de comando de voz:

Encendido/Apagado  
Configuración de la temperatura  
Configuración del modo  
Configuración de la velocidad del ventilador

Para más información, visite: <https://woods.se/en/>

PROBLEMA	CAUSA	SOLUCIÓN
La unidad no arranca cuando pulsa el botón de encendido/apagado	No enchufado / Enchufe macho o hembra están dañados.	Enchúfelo o sustituya el enchufe macho o hembra.
	Un fusible está fundido o averiado.	Sustituya el fusible (3,15 A/250 CA).
	La temperatura ambiente es inferior a la temperatura configurada. (Modo de refrigeración)	Restablezca la temperatura.
No enfría lo suficiente	Las puertas o ventanas no están cerradas.	Asegúrese de que todas las ventanas y puertas estén cerradas.
	Hay fuentes de calor dentro de la habitación.	Retire las fuentes de calor si es posible.
	La manguera de aire de escape no está conectada ni bloqueada.	Conecte o limpie la manguera de aire de escape.
	La configuración de la temperatura es demasiado alta.	Restablezca la temperatura.
	La entrada de aire está bloqueada.	Limpie la entrada de aire.
Alto nivel de ruido	El suelo no está nivelado o no está lo suficientemente plano.	A poder ser, coloque la unidad sobre un suelo plano y nivelado
	El sonido procede del flujo del refrigerante dentro del aire acondicionado	Esto es algo normal.
Si tiene problemas con su aire acondicionado portátil, consulte la sección de localización y resolución de problemas que se incluye a continuación. Si nada de lo siguiente funciona, póngase en contacto con su distribuidor para que realice la puesta a punto de su aire acondicionado.		

Códigos de error	CAUSA	SOLUCIÓN
Código E2	Fallo del sensor de temperatura ambiente o está dañado.	Sustituya el sensor de temperatura ambiente.
Código E3	Fallo del sensor de temperatura del evaporador.	Sustituya el sensor de temperatura del evaporador.
Código E4	Depósito de agua lleno.	Vacíe el depósito de agua.

## Garantías

Garantía de dos años para el consumidor por fallos de producción. Tenga en cuenta que la garantía solo es válida tras la presentación del tique de compra. La garantía solo es válida si el producto se utiliza de acuerdo con las instrucciones y advertencias de seguridad incluidas en este manual. La garantía no cubre los daños causados por la manipulación incorrecta del producto.

**NOTA:** La garantía de dos años solo se aplica a los consumidores y no al uso comercial de la unidad.



### NOTA

Regístrese en [www.warranty-woods.com](http://www.warranty-woods.com) y descubra cómo puede ampliar la garantía. Para obtener más información, visite [www.woods.se](http://www.woods.se).

### Límites de uso recomendados

La mejor temperatura ambiente de funcionamiento para la refrigeración es de 17-35 °C. Parámetro del fusible:  $\varnothing$ 5,0x20 mm 3,15 A, 250 VCA.

## DATOS TÉCNICOS

	AC Milan 7K Duo WiFi Smart Home	AC Milan 9K Duo WiFi Smart Home
Capacidad de enfriamiento/Potencia calorífica	2000 W/1500 W	2600 W/2000 W
Consumo de energía	750 W/600 W	950 W/750 W
Flujo de aire:	350 m <sup>3</sup> /h	350 m <sup>3</sup> /h
Clase energética	A	A
Deshumidificación	19 l/24 h	24 l / 24 h
Configuración de la temperatura	15-31 °C	15-31 °C
Temperatura de funcionamiento	16-43 °C	16-43 °C
EER	2,6	2,7
Longitud de la manguera de aire de escape	1,5 m	1,5 m
Diámetro de la manguera de aire de escape	155 mm	155 mm
Gas refrigerante	R290/100 g	R290/160 g
Nivel de ruido en decibelios	51 dB	51 dB
Peso	22.5 kg	24.5 kg
Dimensiones en mm, L x A x H	355x350x700	355x350x700

\*Puede haber cambios técnicos y mejoras. Todos los valores son aproximados y pueden variar debido a circunstancias externas tales como la temperatura, la ventilación y la humedad.



\*Este marcado indica que este producto no se debe eliminar con otros desechos domésticos en toda la UE. Para evitar posibles daños al medio ambiente o a la salud de las personas a raíz de la eliminación incontrolada de desechos, recíclelo de una manera responsable para fomentar la reutilización sostenible de los recursos materiales. Para devolvernos su dispositivo, utilice los sistemas de devolución y recogida o póngase en contacto con el minorista donde compró el producto. Pueden llevarse este producto y reciclarlo de manera que sea seguro para el medioambiente.



\*Las pilas y baterías usadas no se deben desechar junto con la basura doméstica puesto que pueden contener sustancias tóxicas y metales pesados que son peligrosos tanto para la salud como para el medioambiente. Lleve las pilas gastadas a un punto de recogida para reciclaje de pilas.

## WOOD'S VOOR SCHONE EN GEZONDE BINNENLUCHT

Het merk Wood's werd meer dan 65 jaar geleden opgericht door de familie Wood in de Canadese stad Guelph, Ontario. Hier begon Wood's in 1950 met de ontwikkeling en productie van luchtontvochtigers. Sindsdien heeft Wood's enkele honderdduizenden huishoudens geholpen met het voorkomen van schade door schimmel en vochtigheid en om schonere lucht in te ademen. Onze verplaatsbare airconditioners zijn geschikt voor gebruik in de meeste klimaten, waar de capaciteit ook bij verschillende temperaturen en vochtigheidsniveaus passend is. Ze worden met goed resultaat gebruikt in panden en ruimtes die warm worden, zoals huiskamers, kantoren of slaapkamers. De hoeveelheid hete lucht die een airconditioner verwijdert hangt af van de temperatuur, vochtigheidsgraad en plaats. Ook externe weersomstandigheden kunnen van invloed zijn op de prestaties van de airconditioner.

Wood's airconditioners zijn veilig te bedienen en bedoeld om jarenlang onafgebroken gebruikt te worden.

## HOE WERKT DE AIRCONDITIONER?

Lage druk geeft koude lucht

Het belangrijkste element van de airconditioner is het koelmiddel, dat onder lage druk wordt omgezet in gas. Het proces "creëert koude", dat naar binnen wordt overgebracht, terwijl de warme lucht buiten blijft.

Een vloeibaar koelmiddel gaat door een expansieklep en vervolgens door een leiding waar de druk laag is.

Het koelmiddel verdampt en gaat over in gasvorm. Het proces absorbeert warmte uit de omgeving en de leiding wordt gekoeld. Een ventilator blaast de koude lucht de kamer in.

Het gas gaat door een compressor, die de druk verhoogt en het gas weer omzet naar de vloeistofvorm.

Tijdens dit proces komt warmte vrij, die naar leidingen aan de andere kant wordt geleid en naar buiten wordt geblazen door een ventilator.

Een thermostaat schakelt het apparaat uit wanneer de lucht in de kamer koud genoeg is.

## 1. VEILIGHEIDSWAARSCHUWINGEN



Ontvlambaar materiaal. Dit apparaat bevat R290/propana, een ontvlambaar koelmiddel.



Raadpleeg deze handleiding voor veiligheidsinformatie.



Lees de technische handleiding



Lees de gebruikshandleiding.

## VEILIGHEIDSINFORMATIE

Lees vóór installatie en gebruik van het apparaat de bijgeleverde handleidingen aandachtig door. De fabrikant is niet verantwoordelijk als onjuiste installatie en gebruik leiden tot letsel en schade. Houd de handleidingen altijd bij het apparaat voor toekomstig gebruik.

## Veiligheid kinderen en kwetsbare personen

### WAARSCHUWING



Risico op letsel of blijvende invaliditeit.

Dit apparaat kan worden gebruikt door kinderen van 8 jaar en ouder en personen met verminderde lichamelijke, zintuiglijke of mentale vermogens of gebrek aan ervaring en kennis indien zij op een veilige manier begeleid worden of

instructie hebben gekregen over het gebruik van het apparaat en de gevaren begrijpen. Laat kinderen niet met het apparaat spelen.

Kinderen jonger dan 3 jaar moeten van het apparaat weggehouden worden, tenzij zij onder voortdurend toezicht staan.

Houd alle verpakkingen uit de buurt van kinderen.

Reiniging en gebruikersonderhoud mogen niet door kinderen worden uitgevoerd zonder dat er toezicht is.

## Algemene veiligheid

Dit apparaat is bedoeld om te worden gebruikt in huishoudens en soortgelijke toepassingen, zoals: leefruimtes, huiskamers; personeelskeukens in winkels, kantoren en andere werkomgevingen. Het typeplaatje zit aan de achterzijde of aan de zijkant van de airconditioner. Zorg dat de ventilatieopeningen niet geblokkeerd worden.

Gebruik geen mechanische apparaten of andere middelen om het ontdooiproces te versnellen, anders dan die door de fabrikant aanbevolen.

Het apparaat mag niet worden opgeslagen in een ruimte met werkende ontstekingsbronnen (bijv. open vuur, een gasapparaat in gebruik of een werkende elektrische kachel. Niet doorboren of branden. Let op dat koelmiddelen geen geur mogen bevatten. Gebruik geen waterstraal en stoom om het apparaat schoon te maken. Reinig het apparaat met een vochtige zachte doek. Gebruik alleen neutrale schoonmaakmiddelen. Gebruik

geen schurende producten, schuursponsjes, oplosmiddelen of metalen voorwerpen. Indien het netsnoer beschadigd is, moet het worden vervangen door de fabrikant, een erkend servicecentrum of gelijkwaardig gekwalificeerde personen om problemen te voorkomen.

## VEILIGHEIDSINSTRUCTIES

### Installatie

#### WAARSCHUWING

Dit apparaat mag alleen door een gekwalificeerd persoon geïnstalleerd worden. Verwijder alle verpakkingen. Installeer of gebruik geen beschadigd apparaat. Het apparaat moet worden geïnstalleerd, gebruikt en opgeslagen in een ruimte met een vloeroppervlak van ten minste 4 m<sup>2</sup> tot 4,2 m<sup>2</sup> (7k), 7,7 m<sup>2</sup> (9K), 9,6 m<sup>2</sup> (12K). Volg de installatie-instructie die bij het apparaat is meegeleverd. Wees altijd voorzichtig wanneer u het apparaat verplaatst omdat het zwaar is. Draag altijd veiligheidshandschoenen. Let op dat koelmiddelen geen geur mogen bevatten.

Zorg ervoor dat er lucht rond het toestel kan circuleren. Wacht minimaal 4 uur voordat u het apparaat aansluit op het net. De olie kan dan terugstromen naar de compressor. Installeer het toestel niet vlak bij radiatoren of andere warmtebronnen. Installeer het toestel niet in direct zonlicht.

### Elektrische aansluiting

#### WAARSCHUWING

Gevaar voor brand en elektrische schokken. Het apparaat moet op een geaard stopcontact zijn aangesloten. Zorg dat de elektrische gegevens op het typeplaatje overeenkomen met de netvoeding. Is dat niet het geval dan moet u contact opnemen met een elektricien. Gebruik altijd een correct geïnstalleerd slagvast stopcontact. Gebruik geen stekkerdozen en verlengkabels. Zorg ervoor dat u de elektrische componenten niet beschadigt (bijv. stekker, netsnoer). Neem contact op met het geautoriseerde servicecentrum of een elektricien om de elektrische componenten te vervangen. Het netsnoer moet lager liggen dan de stekker. Steek pas aan het einde van de installatie de stekker in het stopcontact. Controleer of u na de installatie bij de stekker kunt. Trek niet aan het netsnoer om het apparaat los te koppelen. Trek altijd aan de stekker.

### Gebruik

#### WAARSCHUWING

Risico op letsel, brandwonden, elektrische schokken of brand. Wijzig de specificatie van dit toestel niet. Zorg ervoor dat u het koelcircuit niet beschadigt. Het bevat propaan (R290), een natuurlijk gas met een grote milieu-compatibiliteit. Dit gas

is ontvlambaar.

Als er schade aan het koelcircuit ontstaat moet u ervoor zorgen dat er geen vlammen of andere ontstekingsbronnen in de ruimte zijn. Ventileer de kamer. Zet geen brandbare producten of voorwerpen die nat zijn van brandbare stoffen in de buurt van of op het apparaat.

### Afvoeren

#### WAARSCHUWING

Risico op letsel. Koppel het apparaat los van het net. Knip het netsnoer af en gooi dit weg. Het koelcircuit van dit apparaat is ozonvriendelijk. Neem contact op met uw gemeentelijke milieustation voor informatie over hoe u het apparaat correct afvoert. Zorg dat het gedeelte van de koeleenheid dat zich in de buurt van de warmtewisselaar bevindt niet beschadigd raakt.

## AIRCONDITIONER VOORBEREIDEN VOOR INSTALLATIE

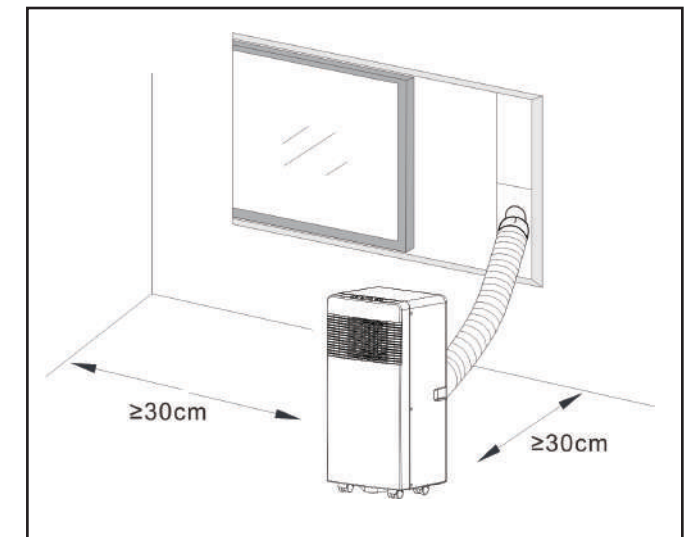
### 2. Installatie

#### VOOR HET EERSTE GEBRUIK

Laat de machine 2 uur voor gebruik rechtop staan. Dan kan olie die eventueel in het koelsysteem is gelekt, terugstromen naar de compressor. (Hetzelfde principe als bij een koelkast)

#### Belangrijk

- Deze airconditioner kan eenvoudig binnenshuis worden verplaatst. Kantel het apparaat niet tijdens het verplaatsen. De airconditioner moet op een vlakke ondergrond staan. Installeer of bedien deze airconditioner niet in een badkamer of een andere natte omgeving. Omdat een verplaatsbare airconditioner op wielen rust, kan deze gemakkelijk op een andere plek worden geplaatst. Wanneer het warm wordt, verplaatst u eenvoudig de airconditioner naar de gewenste ruimte en kan het koelen snel beginnen. Voor de beste effectiviteit moet de airconditioner in een gesloten ruimte worden gebruikt. Sluit alle deuren, ramen en andere openingen naar de kamer. Ook een hoge ventilatie of grote ramen met direct zonlicht kunnen het verkoelende effect beïnvloeden.
- Plaats de airconditioner op een plek die de luchtstroom door de voorkant van het apparaat niet belemmert.
- Een airconditioner die in een ruimte werkt, heeft weinig of geen droogeffect in een aangrenzende afgesloten opslagruimte, zoals een kast, tenzij er voldoende luchtcirculatie in en uit deze ruimte is. Een verplaatsbare airconditioner voert de warmte van het apparaat af via een ventilatieslang door een raam of afvoerluikklep.
- Er moet minimaal 30 cm ruimte zijn tussen de airconditioner en het dichtstbijzijnde object. Zie afbeelding voor verduidelijking.





## PRODUCTBESCHRIJVING

### 3. Productbeschrijving

- |  |   |   |
|--|---|---|
| <p><b>A</b></p> <ol style="list-style-type: none"> <li>Luchtafvoerslang</li> <li>Aansluiting voor luchtafvoerslang op de airco</li> <li>Aansluiting voor luchtafvoerslang op het raamrail</li> <li>Afstandsbediening</li> <li>Raamrail</li> <li>Waterplug</li> <li>Batterijen</li> <li>Waterleiding<br/>Lengte: 1m<br/>Diameter: 10mm</li> </ol> <p><b>B</b></p> <ol style="list-style-type: none"> <li>Voorraanzicht product</li> </ol> <p><b>C</b></p> <ol style="list-style-type: none"> <li>Bedieningspaneel</li> <li>Koude lucht uitlaat</li> <li>Signaalontvanger</li> <li>Afstandsbediening</li> <li>Transporthandvat</li> <li>Luchtuitlaatslang</li> <li>Luchtinlaat verdamper</li> <li>Afvoeruitgang</li> </ol> <p><b>D</b></p> <ol style="list-style-type: none"> <li>Foto van bovenkant product</li> </ol> <p><b>E</b></p> <ol style="list-style-type: none"> <li> Uren/temperatuur omhoog</li> <li> Uren/temperatuur omlaag</li> <li>   Automatisch, Koelen, Verwarming<br/>  Ontvochtigen, ventilatormodus</li> <li> Slaapstand en kinderslot</li> <li> Oscillatie/pendel</li> <li> Uren</li> <li> Bedieningsmodus</li> <li> Ventilatorsnelheid (laag/hoog)</li> <li> Aan/uit-knop (aan/uit)</li> <li>  Indicatielampje voor geselecteerde ventilatorsnelheid</li> <li> Bedieningsindicator (brandt wanneer de machine werkt)</li> <li>  Indicatielampje voor kinderslot en slaapstand.</li> <li> Wifi</li> </ol> | <p><b>F</b></p> <ol style="list-style-type: none"> <li>Instructies voor het reinigen van de filters.</li> </ol> <p><b>G</b></p> <ol style="list-style-type: none"> <li> KNOP<br/>Aan/uit</li> <li> KNOP<br/>Druk op deze knop om de bedieningsmodus te selecteren.</li> <li> KNOP<br/>Voor het sequentieel selecteren van de ventilatorsnelheid.</li> <li> en  INSTELLINGSKNOPPEN<br/>Voor het instellen van de kamertemperatuur en de timer.</li> <li> KNOP<br/>Voor het instellen van de bedieningsmodus  of te annuleren.</li> <li> KNOP<br/>Voor het instellen van de automatische UIT- en automatische AAN-tijd.</li> <li> KNOP<br/>Voor het instellen van de oscillatie/pendelfunctie.</li> </ol> <p><b>H</b></p> <ol style="list-style-type: none"> <li>Draai de uiteinden van de uitlaatslang in de aansluitingen, zie afbeelding.</li> </ol> <p><b>I</b></p> <ol style="list-style-type: none"> <li>Installatie-instructies voor afvoerluchtslangen</li> </ol> | <p><b>J</b></p> <ol style="list-style-type: none"> <li>Installatie-instructies voor raamrail LET OP! Deze raamrail is niet geschikt voor alle soorten ramen. Wij raden Wood's Window sealing kit (artikelnummer: wac_wk) aan als deze rail niet past.</li> </ol> <p><b>K</b></p> <ol style="list-style-type: none"> <li>Voorstel voor de installatie van raamrails</li> </ol> <p><b>L</b></p> <ol style="list-style-type: none"> <li>Installatie-instructies voor afvoerslang (LET OP! Slang is niet inbegrepen. Het mondstuk past op een 10 mm apparaatslang)</li> </ol> |
|--|---|---|

## FUNCTIE VAN DE BEDIENINGSMODI EN INSTALLATIEBESCHRIJVINGEN

### A. Accessoires

Controleer na het uitpakken of de bovengenoemde accessoires zijn meegeleverd en controleer hun functie in de installatie-introductie in deze handleiding. Accessoire nr. 6 is al aan de onderkant van de achterkant van de machine gemonteerd.

### B. Draagbare airconditioning

G. Aanzicht en werking van afstandsbediening.  
Opmerkingen:- Laat de afstandsbediening niet vallen.  
- Leg de afstandsbediening niet op een plaats die is blootgesteld aan direct zonlicht.

### A. Inleiding bediening

Voordat u begint met de handeling in deze sectie:

1) Plaats de airconditioner op een plaats dicht bij een geaard stopcontact.

2) Installeer de afvoerslang en stel de raampositie goed in.

3) Steek het netsnoer in een geaard stopcontact 220~240V/50Hz.

4) Druk op de AAN/UIT-knop om de airconditioner aan te zetten.

### H, I en K. Installatie van luchtafvoerslang

### M) Tijdelijke installatie

- Draai beide uiteinden van de afvoerslang in de slangaansluitingen.
- Steek de vierkante bevestigingsclip in de luchtuitlaat aan de achterkant van het apparaat.
- Plaats het andere uiteinde van de afvoerslang bij de dichtstbijzijnde vensterbank.

### J & K: Installatie van vensterschuifset

De installatiewijze van de vensterschuifset is meestal "horizontaal" en "verticaal". Controleer volgens afb. 5 en afb. 5a, de min. en max. afmetingen van het venster vóór de installatie.

- Installeer de vensterset op het raam;
- Pas de lengte van de vensterschuifset aan op basis van de vensterbreedte of -hoogte en bevestig deze met de deuvel;
- Bevestig de slangbeugel aan het gat in de raamrail

O. Alarm "Water Vol" intern reservoir  
Het waterreservoir in de machine heeft een niveaubewaking die detecteert wanneer het reservoir vol is. Wanneer het reservoir vol is, schakelt de machine automatisch uit en verschijnt de code E4 op het display.

**Het is zeer belangrijk dat het filter regelmatig wordt gereinigd, anders kan de airconditioner zijn capaciteit verliezen en bestaat er kans op ernstige schade.**

(Als het waterreservoir vol is, verwijder dan de rubberen plug aan de onderkant van het apparaat om het water af te tappen.)  
We raden u aan om het water af te voeren via een vloerafvoer of anders kunt u een ovenschaal gebruiken.  
Wanneer het waterreservoir vol is, verwijder dan de rubberen stop aan de onderkant van het apparaat. Al het water zal er uitlopen.

### Onderhoudsinstructies en

### onderhoudsverklaring:

- Zorg er voordat u gaat schoonmaken voor dat de stekker uit het stopcontact is gehaald.
- Gebruik geen benzine of andere chemicaliën om het apparaat schoon te maken.
- Vermijd direct water op het apparaat.

4) Als de machine beschadigd is, neem dan contact op met uw dealer.

### 1. Het luchtfilter

- Als het luchtfilter verstopt raakt met stof/ vuil, moet het luchtfilter eens in de twee weken worden gereinigd.

-Uitnemen

Open de luchtinlaatrooster en haal het

luchtfilter eruit.

-Schoonmaken

Reinig het luchtfilter met neutraal schoonmaakmiddel in handwarm water (40°C) en laat het drogen in de schaduw.

-Terugplaatsen

Plaats het luchtfilter in het inlaatrooster, vervang de componenten door dezelfde.

2. Reinig het oppervlak met een neutraal schoonmaakmiddel en een natte doek, en neem het vervolgens af met een droge doek.

E. Voor gebruik

Controleer of de uitlaatslang goed gemonteerd is.

Let op bij koelen en verwarmen:

-Bij gebruik van afwisselend koelen en ontvochtigen moet een interval van ten minste 3 minuten worden aangehouden VERMOGEN.

-Voeding voldoet aan de eisen.

-Het stopcontact is AC.

-Deel het stopcontact niet met andere apparaten.

-Voeding is AC220-240V, 50Hz

1. Het apparaat aanzetten

a) Steek de stekker in het stopcontact, het apparaat piept dan een keer, "O" Het aan/uit-lampje brandt.

b) Druk op de knop "ON" het apparaat wordt ingeschakeld.

c) De LED geeft de kamertemperatuur weer en onder automatische modus.

2. Koelen/Verwarming

-Druk op de knop "Modus" totdat het Sneeuwvlok-pictogram/Zonpictogram op het paneel verschijnt.

-Druk op de knop "+" of "-" om de gewenste kamertemperatuur te kiezen. (15°C -31°C)

-Druk op de knop "Ventilatorsnelheid" om de snelheid te selecteren.

3. Ontvochtigen

-Druk op de knop "Modus" totdat het pictogram "Ontvochtigen" verschijnt.

-De geselecteerde temperatuur wordt automatisch ingesteld op de huidige kamertemperatuur minus 2°C.

-Zet de ventilatormotor automatisch op een LAGE luchtsnelheid.

4. Bediening ventilator

## FUNCTIE VAN DE BEDIENINGSMODI EN INSTALLATIEBESCHRIJVINGEN

-Druk op de knop 'Modus' totdat het pictogram 'Ventilator' verschijnt.  
-Druk op de knop "Ventilatorsnelheid" om de snelheid te selecteren.

### 5. Bediening timer



a) Druk op de knop "Timer" terwijl het apparaat werkt om Tijd voor automatisch uitschakelen in te stellen.

b) Druk op de timerknop voor een geplande start.

c) De tijd is instelbaar binnen een bereik van 1 uur tot 24 uur. Druk op de knop **temperatuur omhoog (+)** of **temperatuur**

**omlaag (-)** om de tijd met een uur te verhogen of te verlagen, elke keer drukken is een uur.

### 6. Bediening

a) De -werking is effectief wanneer het apparaat in de -modus staat.

b) Druk op de -knop in de -modus om de slaapstand te activeren. In de slaapstand draait de ventilator op lage snelheid. De ingestelde temperatuur stijgt na een uur met 1°C en de temperatuur stijgt na twee uur met 2°C. Na 6 uur schakelt het apparaat uit. Als de temperatuur meer dan 2°C boven de ingestelde waarde stijgt, zal de machine in volledig bedrijf gaan.

### 7. Oscillatie/pendel

a) Wanneer de Oscillatie/pendelknop wordt geactiveerd, pendelt het richtblad automatisch omhoog en omlaag. Als u wilt stoppen, drukt u nogmaals op de knop.

### Onderhoud

Als de airconditioner onderhoud nodig heeft, moet u eerst contact opnemen met uw lokale leverancier.

Voor het indienen van een garantieclaim heeft u altijd een aankoopbewijs nodig.

### Opslaginstructies

Opslag aan het einde van het seizoen  
1) We raden aan om het water te legen via een vloerafvoer of anders kunt u een bakschaal gebruiken. Schroef het aftapdeksel los en trek de plug eruit om het gecondenseerde water volledig af te voeren.

2) Laat het apparaat een halve dag in ventilatormodus draaien om de binnenkant ervan volledig te drogen en zo schimmelvorming te voorkomen.

3) Schakel het apparaat uit, trek de stekker uit het stopcontact en wikkel het netsnoer rond de draadwikkelpaal, steek de stekker in het universele bevestigingsgat in het achterpaneel van het apparaat, plaats de waterplug en het aftapdeksel.

4) Verwijder de warmteafvoerslang, reinig deze en bewaar deze op een goede manier.  
Opmerking:  
Duw in de beugels,  
Houd de afvoerslang met beide handen vast tijdens het verwijderen.  
Duw met uw duimen de klemmen op de afvoerslang opzij en trek vervolgens de afvoerslang eruit.

5) Verpak de airconditioner zorgvuldig in een zachte plastic zak, zet hem op een droge plaats en neem maatregelen om hem tegen stof te beschermen. Houd het apparaat buiten het bereik van kinderen.

6) Haal de batterijen uit de afstandsbediening en bewaar deze goed.  
Opmerking:

\*Zorg dat het apparaat op een droge plaats wordt opgeslagen.

Alle accessoires voor het apparaat moeten bij elkaar worden opgeslagen en goed worden beschermd.

\* De netsnoerhouder en het universele stopcontact beschermen het netsnoer.

\* Hoge plaats van de afvoerluchtuitlaat,

biedt eenvoudige montage en snelle ventilatie.

\* Het zelfverdampingskoelsysteem van de unit is intelligent, milieuvriendelijk en energiebesparend.

\* Beschikt over een 24-uurs timerfunctie, met een uniek aan/uit geluid.

\* Er is een vertraging van 3 minuten bij het opnieuw opstarten van de compressor. Dit is een beschermende functie.

## Wifi-functie

### 1. Download en installeer de APP

De Woods Connect-app downloaden via de App Store of Google Play

1. Registreren/Inloggen/wachtwoord vergeten

#### Registreren

Als u geen app-account hebt, registreer u dan voor een account of meld u aan met een verificatiecode per SMS.

Op deze pagina wordt het registratieproces beschreven.

2. Tik om naar de registratiepagina te gaan.

3. Het systeem herkent uw land/regio automatisch. U kunt ook uw landcode selecteren. Voer het mobiele nummer/e-mailadres in en tik op "Volgende".

4. Als u het mobiele nummer invoert, voer daarna de verificatiecode uit het bericht in en voer het wachtwoord in Tik op "Bevestigen" om uw registratie te voltooien.

5. Als u de e-mail invoert, voert u het wachtwoord in en tikt u op "Bevestigen" om uw registratie te voltooien.

### 2. Inloggen met gebruikersnaam en wachtwoord of verificatiecode via SMS

#### Inloggen met gebruikersnaam en wachtwoord

1. Het systeem herkent uw land/regio automatisch. U kunt ook uw landcode selecteren. Voer het mobiele nummer/e-mailadres in en tik op "Volgende"

2. Voer uw geregistreerde mobiele nummer of e-mailadres en wachtwoord in om in te loggen.

#### Aanmelden met verificatiecode

1. Tik op "Inloggen met SMS-verificatie" op nieuwe pagina.  
2. Het systeem herkent uw land/regio automatisch. U kunt ook zelf uw landcode selecteren.

#### Wachtwoord vergeten

Als u uw wachtwoord bent vergeten, volgt u deze procedure:

1. Tik op "Wachtwoord vergeten".

2. Het systeem herkent uw land/regio automatisch. U kunt ook zelf uw landcode selecteren. Voer het mobiele nummer/e-mailadres in en tik op "Volgende".

3. Voer de verificatiecode uit het bericht/e-mail in en voer het nieuwe wachtwoord in. Tik op "Bevestigen" om af te ronden.

#### Woods Connect ondersteunt de onderstaande functies:

- In-/uitschakelen
- Koelingsmodus
- Ontvocht.modus
- Ventilatormodus
- Eco-modus
- Temperatuurinstellingen
- Snelheid: Laag en Hoog
- Timer: 1-24 u
- Slaap: Aan/uit
- Automatisch reinigen: Aan/uit
- Celsius/Fahrenheit
- Pendel: Aan/uit

### 3. Volg de procedures in de APP om de wifi-functies te gebruiken.

#### Smart Home

Als u een Smart Home-product hebt, voltooi dan de stappen 1 tot en met 3.

Toegang door derden: Tik op een spraakpictogram van een derde partij om te zien hoe u verbinding maakt met de service.

Smart Home Woods Connect ondersteunt de volgende functies via spraakopdrachten:

Inschakelen/uitschakelen  
Temperatuurinstellingen  
Modusinstellingen  
Instellingen ventilatorsnelheid

Ga voor meer informatie naar: <https://woods.se/en/>

PROBLEEM	OORZAAK	ACTIE
Het apparaat start niet wanneer de aan/uit-knop wordt ingedrukt	Niet aangesloten / Stekker of stopcontact is beschadigd.	Steek de stekker in het stopcontact of vervang de stekker of het stopcontact.
	Er is een zekering gesprongen of kapot.	Vervang de zekering (3,15 A/250 Vac).
	De kamertemperatuur is lager dan de ingestelde temperatuur. (Koelingsmodus)	Reset de temperatuur.
Niet koel genoeg	De deuren of ramen zijn niet dicht.	Zorg ervoor dat alle ramen en deuren dicht zijn.
	Er zijn warmtebronnen in de kamer.	Verwijder indien mogelijk de warmtebronnen.
	De luchtafvoerslang is niet aangesloten of geblokkeerd.	Sluit de luchtafvoerslang aan of reinig hem.
	Temperatuurinstelling is te hoog.	Reset de temperatuur.
	De luchtinlaat is geblokkeerd.	Maak de luchtinlaat schoon.
Veel lawaai	De grond is niet gelijk of niet vlak genoeg.	Plaats het apparaat indien mogelijk op een vlakke, gelijke ondergrond
	Het geluid komt van het stromen van het koelmiddel in de airconditioner	Het is normaal.
Als u problemen ondervindt met uw draagbare airconditioner, raadpleegt u het gedeelte voor probleemoplossing hieronder. Als niets van het onderstaande werkt, neem dan contact op met uw dealer voor onderhoud van uw airconditioner.		

Foutcodes	OORZAAK	ACTIE
E2-code	Storing kamertemperatuursensor of kapotte sensor.	Vervang kamertemperatuursensor.
E3-code	Storing temperatuursensor verdamper.	Vervang temperatuursensor verdamper.
E4-code	Waterreservoir vol.	Leeg de watertank.

## Garanties

2 jaar consumentengarantie tegen productiefouten. Houd er rekening mee dat de garantie alleen geldig is na overleg van de aankoopnota. De garantie is alleen geldig als het product wordt gebruikt in overeenstemming met de instructies en veiligheids waarschuwingen die in deze handleiding staan aangegeven. De garantie dekt geen schade die wordt veroorzaakt door een onjuiste behandeling van het product.

**OPMERKING:** De 2 jaar garantie geldt alleen voor consumenten en niet voor commercieel gebruik van het apparaat.



### LET OP!

Registreer u op [www.warranty-woods.com](http://www.warranty-woods.com) en lees meer over hoe u aanspraak kunt maken op een uitgebreide garantie. Ga naar [www.woods.se](http://www.woods.se) voor meer informatie.

### Aanbevolen gebruiksgrenzen

De beste omgevingstemperatuur voor koeling is 17-35°C, Zekering Parameter:  $\varnothing$  5,0x20 mm 3,15 A, 250 Vac.

## TECHNISCHE GEGEVENS

	AC Milan 7K Duo WiFi Smart Home	AC Milan 9K Duo WiFi Smart Home
Koelvermogen/Verwarmingsvermogen	2000 W/1500 W	2600 W/2000 W
Stroomverbruik	750 W/600 W	950 W/750 W
Luchtstroom:	350 m <sup>3</sup> /u	350 m <sup>3</sup> /u
Energieklasse	A	A
Ontvochtigen	19 l/24 u	24 l/24 u
Temperatuurinstelling	15-31°C	15-31°C
Werktemperatuur	16-43°C	16-43°C
EER	2,6	2,7
Lengte van de luchtafvoerslang	1,5 m	1,5 m
Diameter van de luchtafvoerslangpijp	155 mm	155 mm
Koelmiddel	R290/100g	R290/160g
Geluidsniveau in decibels	51 dB	51 dB
Gewicht	22.5 kg	24.5 kg
Afmetingen in mm, L x B x H	355x350x700	355x350x700

\* Er kunnen technische veranderingen en verbeteringen voorkomen. Alle waarden zijn bij benadering en kunnen variëren als gevolg van externe omstandigheden zoals temperatuur, ventilatie en luchtvochtigheid.



\*TDeze markering geeft aan dat dit product in de EU niet met andere huishoudelijke afvalstoffen mag worden verwijderd. Om eventuele schade aan het milieu of gezondheid door ongecontroleerde afvalverwijdering te vermijden, moet u het verantwoord recyclen om het duurzame hergebruik van grondstoffen te stimuleren. Als een consument, bij het afdanken van dit product, kunt u contact opnemen met uw handelaar of uw plaatselijke autoriteiten (plaatselijk bestuur, burgemeester enz.) om details te verkrijgen over het recyclen van dit product. Zij kunnen dit product accepteren voor milieuvriendelijk recyclen.



\*Gebruikte batterijen mogen niet met het huisvuil worden weggegooid, aangezien ze giftige elementen en zware metalen kunnen bevatten die schadelijk kunnen zijn voor het milieu en de menselijke gezondheid. Lever lege batterijen in bij een geschikt recyclingbedrijf.

## WOOD'S – DLA CZYSTEGO I ZDROWEGO POWIETRZA WEWNĘTRZNEGO

Marka Wood's narodziła się w rodzinie Woodów przed ponad 65 laty, w mieście Guelph w kanadyjskim stanie Ontario. Właśnie tam, w 1950 roku, firma Wood's zaczęła projektowanie i produkcję osuszaczy. Od tamtej pory firma Wood's pomogła setkom tysięcy gospodarstw domowych uniknąć szkód spowodowanych pleśnią i wilgocią oraz umożliwiła oddychanie czystszy powietrzem. Nasze przenośne klimatyzatory nadają się do użytku w większości stref klimatycznych: pracują wydajnie w różnych temperaturach i na różnych poziomach wilgotności otoczenia. Świetnie sprawdzają się w nagrzewających się pomieszczeniach i przestrzeniach, takich jak salony i sypialnie w domu oraz biura. Ilość gorącego powietrza odprowadzanego przez klimatyzator zależy od panującej temperatury oraz wilgotności i od miejsca ustawienia urządzenia. Na działanie klimatyzatora wpływać też mogą zewnętrzne warunki pogodowe.

Klimatyzatory Wood's są bezpieczne i przeznaczone do ciągłego użytkowania przez wiele lat.

### JAK DZIAŁA KLIMATYZATOR?

Niskie ciśnienie daje chłodne powietrze. Głównym elementem klimatyzatora jest czynnik chłodniczy, który w warunkach niskiego ciśnienia przeobraża się w gaz. W tym procesie „powstaje chłód”, przekazywany do wnętrza, podczas gdy ciepłe powietrze pozostaje na zewnątrz. Ciekły czynnik chłodniczy przepływa przez zawór rozprężny i do przewodu rurowego, w którym panuje niskie ciśnienie. Czynnik chłodniczy odparowuje i zmienia się w gaz. Proces ten pochłania ciepło z otoczenia – przewód rurowy schładza się. Wentylator nadmuchiwa chłodne powietrze do pomieszczenia. Gaz przepływa przez sprężarkę, która podwyższa ciśnienie i przekształca go w ciecz.


W tym procesie uwalnia się ciepło, odprowadzane do przewodów rurowych po przeciwległej stronie i wydychywane na zewnątrz przez wentylator.


Termostat wyłącza urządzenie z chwilą, gdy temperatura powietrza wewnętrznego spada do odpowiednio niskiego poziomu.

## 1. OSTRZEŻENIA DOTYCZĄCE BEZPIECZEŃSTWA



Materiał łatwopalny. Urządzenie zawiera palny czynnik chłodniczy R290/Propan.

 Przeczytaj tę instrukcję, żeby zapoznać się z informacjami dotyczącymi bezpieczeństwa.

 Przeczytaj instrukcję techniczną

 Przeczytaj instrukcję obsługi.

### INFORMACJE DOTYCZĄCE BEZPIECZEŃSTWA

Przed instalacją i użytkowaniem urządzenia należy dokładnie zapoznać się z załączoną instrukcją obsługi. Producent nie ponosi odpowiedzialności, jeśli nieprawidłowy montaż i użytkowanie spowodują obrażenia ciała i szkody. Instrukcję obsługi urządzenia przechowuj zawsze razem z urządzeniem, żeby w razie potrzeby móc się do niej odwołać w przyszłości.

### Bezpieczeństwo dzieci oraz osób szczególnie podatnych na zagrożenia

**OSTRZEŻENIE**  Niebezpieczeństwo odniesienia obrażeń i trwałej utraty sprawności.

Urządzenie będące przedmiotem tej instrukcji może być użytkowane przez dzieci w wieku od lat 8 wzwyż, przez osoby o ograniczonej sprawności ruchowej, sensorycznej bądź umysłowej oraz przez osoby niemające odpowiedniego doświadczenia tylko pod warunkiem, że podczas użytkowania pozostają pod nadzorem albo zostały uprzednio poinstruowane w zakresie bezpiecznego użytkowania urządzenia i rozumieją związane z tym zagrożenia. Nie zezwalać dzieciom na zabawę urządzeniem.

Dzieci poniżej 3 roku życia powinny być trzymane z dala od urządzenia, chyba że są pod stałym nadzorem. Przechowywać wszystkie opakowania z dala od dzieci. Dzieci nie mogą czyścić ani konserwować urządzenia bez nadzoru.

### Bezpieczeństwo ogólne

Urządzenie jest przeznaczone do użytku w domu i do podobnych zastosowań, takich jak np.: pokój rodzinny, salon, kuchnie dla pracowników w sklepach, biurach i innych miejscach pracy. Tabliczka znamionowa znajduje się z boku lub z tyłu klimatyzatora. Otwory wentylacyjne nie mogą być zasłonięte.

Procesu rozmrażania nie należy przyspieszać przy pomocy urządzeń mechanicznych ani żadnych środków innych niż zalecane przez producenta. Urządzenia nie wolno przechowywać w pomieszczeniach, gdzie pracują źródła zapłonu (np. nieosłonięty płomień, działająca urządzenie

gazowe lub działająca grzałka elektryczna). Nie dziurawić i nie przypalać. Należy pamiętać, że czynniki chłodnicze mogą być bezzapachowe. Nie czyścić urządzenia rozpyloną wodą ani parą. Czyścić urządzenie wilgotną, miękką ściereczką. Stosować wyłącznie detergenty obojętne. Nie używać substancji ściernych, szorstkich akcesoriów czyszczących, rozpuszczalników ani przedmiotów metalowych.

W razie uszkodzenia kabla zasilającego należy go wymienić u producenta, w autoryzowanym punkcie serwisowym albo przy udziale osób o podobnych kwalifikacjach, żeby uniknąć zagrożenia.

### INSTRUKCJE BEZPIECZEŃSTWA

#### Instalowanie **OSTRZEŻENIE**

Tylko należycie wykwalifikowana osoba może zainstalować urządzenie. Usunąć wszystkie elementy opakowania. Urządzenia uszkodzonego nie instalować ani nie używać. Urządzenie powinno być zainstalowane, eksploatowane i przechowywane w pomieszczeniu o powierzchni podłogi od 4 m<sup>2</sup> do 4,2 m<sup>2</sup> (7K), 7,7 m<sup>2</sup> (9K), 9,6 m<sup>2</sup> (12K). Zastosować się do instrukcji montażu dołączonej do urządzenia. Zawsze należy zachować ostrożność podczas przenoszenia urządzenia, ponieważ jest ciężkie. Zawsze nosić rękawice ochronne. Należy pamiętać, że czynniki chłodnicze mogą być bezzapachowe.

Dopilnować, żeby powietrze mogło krążyć wokół urządzenia. Przed podłączeniem urządzenia do sieci należy odczekać co najmniej 4 godziny. Ma to na celu umożliwienie powrotu oleju do sprężarki. Nie instalować urządzenia w pobliżu grzejników bądź innych źródeł ciepła. Nie instalować urządzenia w miejscach bezpośrednio nasłonecznionych.


### Podłączenie elektryczne

#### OSTRZEŻENIE

Niebezpieczeństwo pożaru i porażenia prądem elektrycznym. Urządzenie musi być podłączone do uziemionego gniazdka. Upewnić się, że informacje elektryczne zamieszczone na tabliczce znamionowej są zgodne z parametrami zasilania. W przeciwnym razie skontaktować się z elektrykiem. Należy zawsze używać prawidłowo zainstalowanego gniazda odpornego na wstrząsy. Nie należy używać adapterów i przedłużaczy wielogniazdowych. Uważać, aby nie uszkodzić elementów elektrycznych (np. wtyczki sieciowej, kabla sieciowego). W celu wymiany części elektrycznych należy skontaktować się z autoryzowanym punktem serwisowym lub elektrykiem. Kabel sieciowy musi znajdować się poniżej poziomu wtyczki sieciowej. Wtyczkę sieciową należy podłączać do gniazda sieciowego dopiero po zakończeniu instalacji. Po zakończeniu instalacji należy upewnić się, że wtyczka sieciowa jest podłączona do gniazdka.

Nie ciągnąć za kabel sieciowy w celu odłączenia urządzenia. Zawsze ciągnąć za wtyczkę sieciową.

### Użytkowanie

**OSTRZEŻENIE**  Niebezpieczeństwo obrażeń, oparzeń, porażenia prądem elektrycznym lub pożaru. Nie należy zmieniać specyfikacji urządzenia.

Uważać, aby nie uszkodzić obiegu czynnika chłodniczego. Zawiera on propan (R290), gaz ziemny o wysokim poziomie ekologiczności. Gaz ten jest łatwopalny.

Jeśli obieg czynnika chłodniczego ulegnie uszkodzeniu, należy upewnić się, że w pomieszczeniu nie ma płomieni ani źródeł zapłonu. Przewietrzyć pomieszczenie. W pobliżu urządzenia lub na nim nie wolno umieszczać produktów lub przedmiotów łatwopalnych, które są zwilżone produktami łatwopalnymi.

### Utylizacja

#### OSTRZEŻENIE

Niebezpieczeństwo odniesienia obrażeń. Odłączyć urządzenie od zasilania sieciowego. Odłączyć kabel sieciowy i wyrzucić go. Obieg czynnika chłodniczego urządzenia jest przyjazny dla warstwy ozonowej. Aby uzyskać informacje na temat prawidłowego wyrzucenia urządzenia, skontaktować się z władzami miasta. Nie wolno dopuścić do uszkodzenia części zespołu chłodzenia urządzenia położonej przy wymienniku ciepła.

## KONFIGUROWANIE KLIMATYZATORA DO INSTALACJI

### 2. Instalowanie

#### PRZED PIERWSZYM UŻYCIEM

Przed użyciem należy ustawić urządzenie na 2 godziny w pozycji pionowej. Dzięki temu olej, który mógł przedostać się do układu chłodzenia, może spłynąć z powrotem do sprężarki. (Tak samo jak w przypadku lodówki)

#### Ważne

1. Klimatyzator ten można wygodnie przemieszczać w pomieszczeniach zamkniętych. Podczas przenoszenia urządzenia należy utrzymywać je w pozycji pionowej. Klimatyzator należy ustawić na płaskiej powierzchni.

Klimatyzatora nie należy ustawiać ani użytkować w łazience ani w innych wilgotnych przestrzeniach.

Przestawianie tego przenośnego klimatyzatora ułatwiają zamontowane w nim kółka. Gdy robi się gorąco, wystarczy przenieść przenośny klimatyzator do pomieszczenia i można szybko rozpocząć chłodzenie przestrzeni.

Żeby praca klimatyzatora była możliwie jak najwydajniejsza, musi on pracować w zamkniętej przestrzeni.

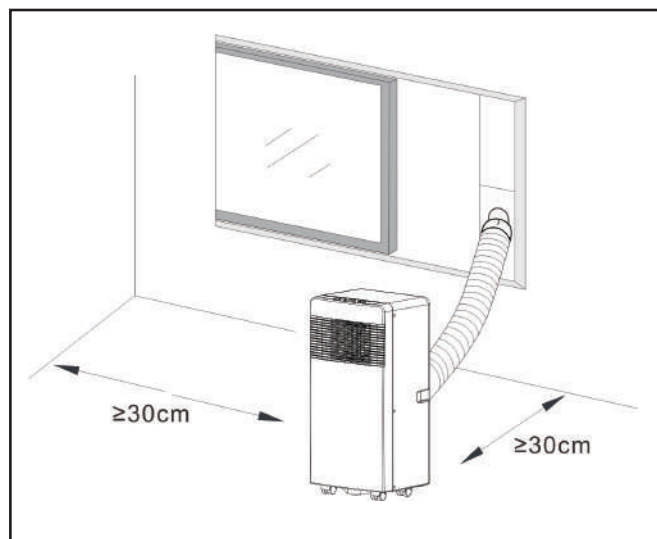
Zamknąć wszystkie drzwi, okna oraz inne otwory do pomieszczenia.

Nawet jeśli masz sprawną wentylację lub duże okna z bezpośrednim działaniem promieni słonecznych, może to wpłynąć na efekt chłodzenia.

2. Ustawić klimatyzator w takim miejscu, gdzie nie będzie hamowany przepływ powietrza przed urządzeniem.

3. Pracujący w pomieszczeniu klimatyzator nie osusza – lub praktycznie nie osusza – sąsiadujących miejsc przechowywania, takich jak szafy, chyba że zapewniona jest odpowiednia cyrkulacja powietrza z oraz do danej przestrzeni. Klimatyzator przenośny odprowadza ciepło z urządzenia przewodem wentylacyjnym przez okno lub przez zawór wywiewu.

4. Odległość między klimatyzatorem a najbliższym położonym obiektem powinna wynosić co najmniej 30 cm; zob. na ilustracji.



## OPIS PRODUKTU

### 3. Opis produktu

- |   |          |  |   |
|---|----------|--|---|
| <b>A</b>  |          | <b>F</b>   | <b>J</b>  |
| 1. Przewód giętki powietrza wylotowego                                    |          | 1. Instrukcja czyszczenia sita filtra.   | 1. Instrukcja montażu listwy okiennej<br>UWAGA! Szyna okienna nie nadaje się do wszystkich typów okien. Jeśli ta szyna nie pasuje, polecamy zestaw uszczelniający Wood's Window (numer artykułu: wac_wk). |
| 2. Podłączenie przewodu giętkiego odprowadzającego powietrze do AC        |          |  |   |
| 3. Podłączenie przewodu giętkiego powietrza wywiewanego do szyny okiennej | <b>G</b> | 1.  PRZYCISK Włączanie/wyłączanie zasilania  |   |
| 4. Pilot  |          | 2.  PRZYCISK Naciśnięcie tego przycisku umożliwia wybranie trybu pracy.                      | <b>K</b>  |
| 5. Szyna okienna  |          | 3.  PRZYCISK Służy do sekwencyjnego wyboru prędkości obrotowej wentylatora.                  | 1. Propozycja montażu szyny okiennej  |
| 6. Korek do wody  |          | 4.  PRZYCISKI USTAWIENI Służą do regulacji temperatury w pomieszczeniu i timera.             | <b>L</b>  |
| 7. Baterie  |          | 5.  PRZYCISK Służy do ustawiania lub anulowania trybu pracy.                                 | 1. Instrukcja montażu giętkiego przewodu spustowego (UWAGA! Przewód giętki nie jest załączony. Dysza przystosowana jest do przewodu giętkiego urządzenia 10 mm)   |
| 8. Wąż do odpływu wody<br>Długość: 1m<br>Średnica: 10mm                   |          | 6.  PRZYCISK Służy do ustawiania czasu automatycznego wyłączenia i automatycznego włączenia. |   |
| <b>B</b>  |          | 7.  PRZYCISK Służy do ustawiania funkcji oscylacji / samoczynnego kołysania.                 |   |
| 1. Ilustracja przedstawiająca przód produktu                              |          | <b>H</b>   |   |
| <b>C</b>  |          | 1. Przekręcić końcówki giętkiego przewodu wywiewu do przyłączy, jak pokazano na ilustracji.  |   |
| 1. Panel sterowniczy  |          | <b>I</b>   |   |
| 2. Wylot zimnego powietrza  |          | 1. Instrukcja montażu przewodu giętkiego powietrza wylotowego                                |   |
| 3. Odbiornik sygnału  |          |  |   |
| 4. Pilot  |          |  |   |
| 5. Uchwyt transportowy  |          |  |   |
| 6. Przewód giętki wylotowy powietrza                                      |          |  |   |
| 7. Wlot powietrza parownika   |          |  |   |
| 8. Wylot spustowy   |          |  |   |
| <b>D</b>  |          |  |   |
| 1. Ilustracja wierzchu produktu   |          |  |   |
| <b>E</b>  |          |  |   |
| 1.  Godziny/temperatura w górę  |          |  |   |
| 2.  Godziny/temperatura w dół   |          |  |   |
| 3.    Automatyczny, chłodzenie, Ogrzewanie                                |          |  |   |
| Osuszanie, tryb wentylatora   |          |  |   |
| 4.  Tryb uśpienia i zabezpieczenie przed dziećmi                          |          |  |   |
| 5.  Oscylacja/Samoczynne kołysanie  |          |  |   |
| 6.  Godziny   |          |  |   |
| 7.  Tryb pracy  |          |  |   |
| 8.  Prędkość wentylatora (niska/wysoka)                                   |          |  |   |
| 9.  Przycisk zasilania ON/OFF (wł./wył.)                                  |          |  |   |
| 10.  Wskaźnik świetlny wybranej prędkości wentylatora                     |          |  |   |
| 11.  Wskaźnik pracy (świeci się, gdy urządzenie pracuje)                  |          |  |   |
| 12.  Lampka sygnalizacyjna zabezpieczenia przed dziećmi i trybu uśpienia. |          |  |   |
| 13.  WiFi   |          |  |   |

## DZIAŁANIE POSZCZEGÓLNYCH TRYBÓW PRACY ORAZ OPISY INSTALACJI

### A. Akcesoria

Po rozpakowaniu należy upewnić się, że dostarczone zostały wszystkie wymienione wyżej akcesoria, oraz sprawdzić ich przeznaczenie we wprowadzeniu do instalacji, które jest częścią niniejszej instrukcji. Akcesorium nr 6 jest już zamontowane na dole tylnej części urządzenia.

### B. Przenośny klimatyzator

G. Wygląd i działanie pilota.

Uwagi: — Nie upuszczać pilota.

Nie pozostawiać pilota w miejscach bezpośrednio nasłonecznionych.

### A. Wprowadzenie do obsługi

Przed przystąpieniem do czynności opisanych w tej części:

1) Ustawić klimatyzator w takim miejscu, gdzie jest bliski dostęp do uziemionego gniazdka elektrycznego.

2) Zainstalować przewód wywiewu i odpowiednio wyregulować okno.

3) Podłączyć przewód zasilający do uziemionego gniazdka prądu przemiennego AC220~240V/50Hz.

4) Nacisnąć przycisk POWER, żeby uruchomić klimatyzator.

H, I i K. Instalacja przewodu powietrza wywiewanego.

### M) Instalacja tymczasowa

1. Wkręcić obydwa końce przewodu wywiewu w złącze przewodu giętkiego.
2. Włożyć kwadratowy zacisk mocujący do wylotu powietrza z tyłu urządzenia.
3. Umieścić drugi koniec przewodu wywiewu na parapecie obok.

J&K: Instalowanie zestawu wstawki okiennej  
Zestaw wstawki okiennej instaluje się na ogół poziomo albo pionowo. Przed przystąpieniem do instalowania należy sprawdzić wymiary minimalne i maksymalne okna, wskazane

na ilustracjach 5 i 5a.

1. Zainstalować w oknie zestaw okienny.  
2. Wyregulować długość zestawu wstawki okiennej odpowiednio do szerokości lub wysokości okna, i przymocować go kołkiem.

3. Zamocować wspornik przewodu giętkiego do otworu w szynie okiennej

O. Alarm wypełnienia wewnętrznego zbiornika wody

Zbiornik na wodę wewnątrz urządzenia wyposażony jest w czujnik poziomu wody, który wykrywa, kiedy zbiornik

**Bardzo ważne jest, aby filtr był regularnie czyszczony; w przeciwnym razie klimatyzator może stracić sprawność, a nawet może dojść do jego poważnego uszkodzenia.**

jest pełny. Gdy pojemnik jest pełny, urządzenie wyłącza się automatycznie, a na wyświetlaczu pojawia się kod E4. (Jeżeli zbiornik na wodę jest pełny, należy usunąć gumowy korek znajdujący się na spodzie urządzenia, aby spuścić wodę). Zalecamy spuszczenie wody nad odpływem podłogowym lub na blachę do pieczenia. to po wypełnieniu zbiornika wodą należy wyjąć gumowy korek znajdujący się na spodzie urządzenia, a cała woda wypłynie).

Wskazówki dotyczące pielęgnacji i deklaracja konserwacji:

- 1) Przed przystąpieniem do czyszczenia należy się zawsze upewnić, że urządzenie zostało odłączone od wszelkich źródeł zasilania prądem elektrycznym.
- 2) Do czyszczenia urządzenia nie należy używać benzyny ani żadnych innych chemikaliów.
- 3) Należy unikać splukiwania wody bezpośrednio na urządzenie.

4) Jeśli maszyna jest uszkodzona, trzeba skontaktować się ze sprzedawcą.

1. Filtr powietrza

— Jeżeli filtr powietrza zatyka się kurzem lub pyłem, to należy go oczyszczać nie rzadziej niż raz na dwa tygodnie.

— Wyjmowanie  
Otworzyć kratkę wlotu powietrza i wyjąć filtr powietrza.

— Oczyszczanie  
Oczyścić filtr powietrza letnią wodą (40°C) z obojętnym środkiem czyszczącym, po czym zostawić do wyschnięcia w cieniu.

— Zakładanie  
Wstawić filtr powietrza w kratkę wlotu, po czym z powrotem założyć wszystkie elementy w urządzeniu.

2. Wyczyścić powierzchnię za pomocą neutralnego detergentu i mokrej szmatki, a następnie wysuszyć suchą szmatką.

E. Przed użyciem  
Upewnić się, że przewód wywiewu jest zainstalowany prawidłowo.

Środki ostrożności dotyczące pracy w trybach chłodzenia i osuszania:

— Podczas korzystania z funkcji chłodzenia oraz osuszania odczekać co najmniej 3 minuty między kolejnymi uruchomieniami (POWER).

— Dopilnować, żeby zasilanie odpowiadało specyfikacji.

— Wymagane jest gniazdko prądu przemiennego.

— Nie dzielić wykorzystywanego gniazdka z innymi urządzeniami elektrycznymi.

— Wymagane jest zasilanie prądem przemiennym 220–240 V, 50 Hz.

1. Włączanie urządzenia

a) Podłączyć, następnie urządzenie wyda jeden sygnał dźwiękowy, „O” Wskaźnik zasilania się świeci.

b) Nacisnąć przycisk „⏻”, aby włączyć urządzenie.

c) Wskaźnik LED wyświetli temperaturę pokojową, a urządzenie będzie działać w trybie automatycznym.

2. Praca w trybie chłodzenia/obsługa ogrzewania

— Nacisnąć przycisk „Mode” (Tryb) aż na panelu pojawi się ikona płatka śniegu/ikona słońca.

— Nacisnąć przycisk „+” lub „-”, aby wybrać żadaną temperaturę w pomieszczeniu.

(15°C–31°C)

## DZIAŁANIE POSZCZEGÓLNYCH TRYBÓW PRACY ORAZ OPISY INSTALACJI

— Wybrać obroty wentylatora, posługując się przyciskiem FAN SPEED.

3. Praca w trybie osuszania  
Naciskać przycisk trybu (MODE), aż pojawi się ikona trybu osuszania (DEHUMIDIFY).

— Nastawa temperatury zostanie automatycznie wyregulowana do poziomu o 2°C niższego od temperatury aktualnie panującej w pomieszczeniu.

— Obroty wentylatora zostaną automatycznie przestawione do poziomu niskiego (LOW).

4. Praca w trybie wentylacji

— Naciskać przycisk trybu (MODE), aż pojawi się ikona trybu wentylacji (FAN).

— Wybrać obroty wentylatora, posługując się przyciskiem FAN SPEED.

### 5. ⏰ Działanie timera

a) Nacisnąć przycisk „Timer”, aby ustawić czas automatycznego wyłączenia podczas pracy urządzenia.

b) Nacisnąć przycisk timera, aby uzyskać zaplanowane uruchomienie.

c) Czas można regulować w zakresie od 1 do 24 godzin. Nacisnąć przycisk podwyższania temperatury (+) lub

obniżania temperatur (-), aby zwiększyć lub zmniejszyć czas o jedną godzinę poprzez jednokrotne naciśnięcie.

### 6. 🌬️ Działanie

a) 🌬️ Sprawne chłodzenie odbywa się, gdy urządzenie jest w trybie ❄️.

b) Nacisnąć 🌬️ przycisk w trybie ❄️, aby uruchomić tryb uśpienia. W trybie uśpienia wentylator będzie działał na niskich obrotach. Po jednej godzinie ustawiona temperatura wzrasta o 1°C, a po dwóch godzinach o 2°C. Po 6 godzinach urządzenie wyłącza się. Jeżeli temperatura wzrośnie o więcej niż 2°C powyżej ustawionej wartości, urządzenie zacznie pracować w pełnym trybie pracy.

### 7. 🌀 Oscylacja / Samoczynne kołysanie

a) Po włączeniu przycisku Oscylacja / Samoczynne kołysanie żaluzje będą

automatycznie poruszać w górę i w dół. Aby je zatrzymać, należy nacisnąć ponownie ten przycisk.

### Serwis

Gdyby klimatyzator wymagał serwisu, należy skontaktować się z lokalnym detalistą. Przy składaniu roszczenia gwarancyjnego zawsze wymagany jest dowód zakupu.

Instrukcje dotyczące przechowywania

Składowanie na koniec sezonu

1) Zalecamy spuszczenie wody przez kratkę ściekową lub na blachę do pieczenia. Odkręcić osłonę spustu i wyciągnąć korek, żeby spuścić wszelką skroploną wodę.

2) Pozostawić urządzenie na pół dnia uruchomione w trybie wentylacji, żeby całkowicie osuszyć jego wnętrze i zapobiec jego zapleśnieniu.

3) Wyłączyć urządzenie, następnie wyjąć wtyk i owinąć kabel zasilający wokół kolumnienki zwojowej, po czym wetknąć wtyk w uniwersalny otwór montażowy na panelu tylnym urządzenia, a także założyć korek wody i osłonę spustu.

4) Rozmontować zespół wywiewu (wyprowadzenia ciepła), oczyścić go i odpowiednio przechować.

Uwaga:

Wsunąć wsporniki, Przy wyjmowaniu zespołu przewodu wywiewu należy trzymać zespół obiema rękami. Zsunąć kciukami elementy mocujące na wylocie powietrza wywiewanego, a następnie wyciągnąć zespół przewodu wywiewu.

5) Zapakować klimatyzator starannie w miękką plastikową torbę, umieść go w suchym miejscu i podejmij odpowiednie działania, aby chronić go przed kurzem. Należy przechowywać urządzenie poza zasięgiem dzieci.

6) Wyjąć baterie z pilota i przechować go w odpowiednim miejscu.

Uwaga:

\*Należy dopilnować, żeby urządzenie było przechowywane w suchym miejscu. Wszystkie akcesoria do urządzenia muszą być przechowywane razem z nim i odpowiednio zabezpieczone.

\* Uchwyt na przewód zasilający i uniwersalne gniazdo zapewniają ochronę przewodu zasilającego.

\* Wysokie umiejscowienie wylotu powietrza, zapewnia prosty montaż i szybką wentylację.

\* Samoczynnie odparowujący system chłodzenia urządzenia jest inteligentny, przyjazny dla środowiska i energooszczędny.

\* Posiada funkcję 24-godzinnego timera z unikalnym muzycznym dźwiękiem włączania/wyłączania.

\* W ramach funkcji ochronnej istnieje 3 minutowe opóźnienie ponownego uruchomienia sprężarki.

## Funkcja Wi-Fi

### 1. Pobierz i zainstaluj aplikację

Pobranie aplikacji Woods Connect z App Store firmy Apple lub z Google Play

1. Rejestracja / Logowanie / Przypomnienie hasła

Rejestracja  
Jeżeli nie masz konta w aplikacji, dokonaj rejestracji albo zaloguj się kodem weryfikacyjnym otrzymanym w SMS-ie.  
Na tej stronie opisano proces rejestracji.

2. Kliknij, żeby przejść na stronę rejestracji.

3. System automatycznie rozpozna kraj lub region. Możesz też wybrać kod swojego kraju. Wprowadź swój numer telefonu komórkowego lub adres e-mail, po czym kliknij „Dalej”.

4. Jeżeli podany został numer telefonu komórkowego, wprowadź kod weryfikacyjny z SMS-a oraz hasło, po czym kliknij „Potwierdź”, żeby dokończyć rejestrację.

5. Jeżeli podany został adres e-mail, wprowadź hasło, po czym kliknij „Potwierdź”, żeby dokończyć rejestrację.

### 2. Zaloguj się nazwą użytkownika i hasłem lub kodem weryfikacyjnym z SMS-a

Logowanie nazwą użytkownika i hasłem

1. System automatycznie rozpozna kraj lub region. Możesz też wybrać kod swojego kraju. Wprowadź swój numer telefonu komórkowego lub adres e-mail, po czym kliknij „Dalej”.

2. Wprowadź zarejestrowany numer telefonu komórkowego lub adres e-mail oraz hasło.

Logowanie kodem weryfikacyjnym

1. Kliknij „Zaloguj się z weryfikacją SMS”. Nastąpi przeniesienie na nową stronę.

2. System automatycznie rozpozna kraj lub region. Możesz też wybrać kod swojego kraju samodzielnie.

Przypomnienie hasła

Jeżeli nie pamiętasz hasła, wykonaj następujące czynności:

1. Kliknij „Przypomnienie hasła”.

2. System automatycznie rozpozna kraj lub region. Możesz też wybrać kod swojego kraju samodzielnie. Wprowadź swój numer telefonu komórkowego lub adres e-mail, po czym kliknij „Dalej”.

3. Wprowadź kod weryfikacyjny z SMS-a lub maila oraz nowe hasło, po czym kliknij „Potwierdź”, żeby dokończyć odzyskiwanie dostępu.

Wi-Fi Woods Connect obsługuje następujące funkcje:

- Włączenie/Wyłączenie zasilania
- Tryb chłodzenia
- Tryb osuszania
- Tryb wentylacji
- Tryb ekologiczny
- Ustawienia temperatury
- Obroty: niskie i wysokie
- Regulator czasowy: 1–24 h
- Samoczynne wyłączenie: wł. / wył.
- Samoczynne oczyszczanie: wł. / wył.
- Stopnie Celsjusza/Fahrenheita
- Wydmuch oscylacyjny: wł. / wył.

3. Postępuj zgodnie z procedurami w APLIKACJI, aby korzystać z funkcji Wi-Fi.

## Smart Home

Jeżeli posiadasz produkt Smart Home, wykonaj czynności od 1 do 3.

Usługa dostępu stron trzecich: Kliknij ikonę dostępu stron trzecich, aby dowiedzieć się, jak połączyć się z usługą.

Smart Home Woods Connect obsługuje następujące funkcje za pomocą poleceń głosowych:

Włączenie / Wyłączenie zasilania  
Ustawienia temperatury  
Ustawienia trybu  
Ustawienia obrotów wentylatora

Więcej informacji znajdziesz na naszej stronie:

<https://woods.se/en/>

PROBLEM	PRZYCZYNA	ROZWIĄZANIE
Urządzenie nie uruchamia się za naciśnięciem przycisku ON/OFF.	Urządzenie nie jest podłączone / uszkodzona wtyczka lub gniazdo.	Podłączyć lub wymienić wtyczkę lub gniazdo zasilania.
	Przepalony lub uszkodzony bezpiecznik.	Wymienić bezpiecznik (3,15A/250AC).
	Temperatura w pomieszczeniu jest niższa niż ustawiona. (tryb chłodzenia)	Przestawić temperaturę.
Chłodzenie jest niewystarczające.	Drzwi lub okna nie są pozamykane.	Dopilnować pozamykania wszystkich okien i drzwi.
	W pomieszczeniu obecne są źródła ciepła.	W miarę możliwości usunąć źródła ciepła.
	Przewód powietrza wywiewanego jest niepodłączony albo niedrożny.	Odpowiednio podłączyć lub oczyścić przewód powietrza wywiewanego.
	Nastawa temperatury jest za wysoka.	Przestawić temperaturę.
Wysoki poziom hałasu.	Wlot powietrza jest zablokowany.	Oczyścić wlot powietrza.
	Podłoże jest nierówne albo niewystarczająco płaskie.	W miarę możliwości ustawić urządzenie na równym, płaskim podłożu.
	Słychać odgłos przepływu czynnika chłodniczego wewnątrz klimatyzatora.	To normalne.
W przypadku problemów z przenośnym klimatyzatorem należy zapoznać się z poniższą sekcją dotyczącą rozwiązywania problemów. Gdyby zastosowanie się do żadnej z poniższych wskazówek nie rozwiązało problemu, należy skontaktować się z detalistą w celu poddania klimatyzatora obsłudze serwisowej.		

Kody błędów	PRZYCZYNA	ROZWIĄZANIE
Kod E2	Usterka lub uszkodzenie czujnika temperatury w pomieszczeniu.	Wymienić czujnik temperatury w pomieszczeniu.
Kod E3	Usterka czujnika temperatury parownika.	Wymienić czujnik temperatury parownika.
Kod E4	Zbiornik wody jest pełny.	Opróżnić zbiornik wody.

## Gwarancje

2 lata gwarancji konsumenckiej na wady produkcyjne. Należy pamiętać, że gwarancja obowiązuje tylko pod warunkiem okazania rachunku. Gwarancja obowiązuje tylko w przypadku, gdy produkt jest używany zgodnie z instrukcją i ostrzeżeniami dotyczącymi bezpieczeństwa zawartymi w niniejszej instrukcji. Gwarancja nie obejmuje uszkodzeń spowodowanych niewłaściwą obsługą produktu.

**UWAGA:** 2-letnia gwarancja dotyczy wyłącznie konsumentów, a nie komercyjnego użytku urządzenia.



### UWAGA!

Dokonaj rejestracji produktu na stronie [www.warranty-woods.com](http://www.warranty-woods.com) – stamtąd też dowiesz się, jak uzyskać gwarancję rozszerzoną. Więcej informacji znajdziesz na stronie [www.woods.se](http://www.woods.se).

### Zalecane warunki graniczne eksploatacji

Najlepszą temperaturą otoczenia dla chłodzenia jest zakres od 17 do 35°C. Parametr bezpiecznika:  $\phi 5.0 \times 20 \text{ mm}$  3,15A, 250Vac.

## DANE TECHNICZNE

	AC Milan 7K Duo WiFi Smart Home	AC Milan 9K Duo WiFi Smart Home
Moc chłodnicza/Wydajność grzewcza	2000 W/1500 W	2600 W/2000 W
Pobór mocy	750 W/600 W	950 W/750 W
Przepływ powietrza:	350 m <sup>3</sup> /h	350 m <sup>3</sup> /h
Klasa energetyczna	A	A
Osuszanie	19 l / 24 godz.	24 l / 24h
Nastawa temperatury	15–31°C	15–31°C
Temperatura pracy	16–43°C	16–43°C
EER	2,6	2,7
Długość przewodu giętkiego odprowadzającego powietrze	1,5 m	1,5 m
Średnica przewodu giętkiego odprowadzającego powietrze	155mm	155mm
Gazowy czynnik chłodniczy	R290/100 g	R290/160 g
Poziom hałasu, w decybelach	51 dB	51 dB
Masa	22.5 kg	24.5 kg
Wymiary w mm, dł. × szer. × wys	355x350x700	355x350x700

\* Możliwe są zmiany i udoskonalenia techniczne. Wszystkie wartości są podane w przybliżeniu i mogą różnić się w zależności od warunków zewnętrznych, takich jak temperatura, wentylacja i wilgotność.



\*To oznakowanie wskazuje, że produkt nie powinien być usuwany z innymi odpadami komunalnymi na terenie UE. W celu zapobieżenia ewentualnym szkodom dla środowiska lub zdrowia ludzkiego na skutek niekontrolowanej utylizacji odpadów urządzenie należy poddać recyklingowi w sposób odpowiedzialny, tak aby umożliwić ponowne wykorzystanie materiałów. Aby zwrócić urządzenie, należy skorzystać z systemu zwrotu/ odbioru albo skontaktować się ze sprzedawcą, u którego produkt został kupiony. Może on przyjąć ten produkt, aby poddać go bezpiecznemu recyklingowi.



\*Zużytych baterii nie wolno wyrzucać razem z odpadami z gospodarstw domowych, ponieważ baterie mogą zawierać toksyczne pierwiastki i metale ciężkie, które mogą być szkodliwe dla środowiska oraz ludzkiego zdrowia. Wyczerpane baterie należy zwrócić do odpowiedniego punktu recyklingu.



## WOOD'S ESTE SINONIM CU AERUL CURAT ȘI SĂNĂTOS ÎN ÎNCĂPERI

Marca Wood's s-a născut acum peste 65 de ani, în orașul canadian Guelph din Ontario. Acolo a început Wood's, în 1950, să dezvolte și să fabrice dehumidificatoare. Între timp Wood's a ajutat sute de mii de familii să evite stricăciunile provocate de igrasie și umezeală, și să respire aer curat. Aparatele noastre de aer condiționat portabile se pot folosi în majoritatea zonelor climatice, capacitatea fiind foarte bună la diferite temperaturi și umidități. Acestea sunt folosite cu rezultate bune în spații care se supraîncălzesc: sufragerii, birouri și dormitoare. Cantitatea de aer fierbinte evacuată de aparat depinde de temperatură, umiditate și amplasare. Și condițiile meteorologice externe pot afecta performanțele aparatului de aer condiționat.

Aparatele de aer condiționat Wood's sunt sigure în funcționare și au fost concepute pentru a fi utilizate continuu, timp de mulți ani.

## CUM FUNCȚIONEAZĂ APARATUL DE AER CONDIȚIONAT?

Presiunea mică înseamnă aer rece. Elementul principal al aparatului de aer condiționat este agentul frigorific. La presiune mică acesta se transformă în gaz. Procesul „face frig”, care se transmite spre interior, în timp ce aerul cald este evacuat. Agentul frigorific lichid trece printr-o valvă de expansiune și ajunge într-o conductă în care presiunea este redusă.

Agentul se evaporă și se transformă în gaz. Procesul absoarbe căldura din mediu, iar conducta se răcește.

Un ventilator împinge aerul rece în încăpere.

Gazul trece printr-un compresor, care îi crește presiunea și îl transformă din nou în lichid. În acest proces se degajă căldură, care este condusă în direcție opusă și evacuată cu un ventilator.

În momentul în care aerul din interior este suficient de rece, un termostat oprește aparatul.

## 1. AVERTIZĂRI DE SIGURANȚĂ



Substanță inflamabilă. Acest dispozitiv conține R290/Propan, un agent frigorific inflamabil.



Pentru informații despre siguranță, consultați acest manual.



Citiți manualul tehnic



Citiți manualul de utilizare.

## INFORMAȚII PRIVIND SIGURANȚA

Înainte de instalarea și utilizarea dispozitivului, citiți cu atenție instrucțiunile furnizate.

Producătorul nu va fi responsabil dacă instalarea și utilizarea incorectă va cauza vătămări și daune. Păstrați întotdeauna instrucțiunile împreună cu aparatul, pentru referință ulterioară.

## Siguranța copiilor și a persoanelor vulnerabile

### AVERTIZARE



Pericol de vătămare sau handicap permanent.

Acest aparat poate fi utilizat de copiii de cel puțin 8 ani și de persoanele cu capacități fizice, senzoriale sau mentale reduse ori lipsite de experiență și cunoștințe,

cu condiția să fie supravegheate sau instruite cu privire la utilizarea aparatului în condiții de siguranță și să înțeleagă pericolele implicate. Nu lăsați copiii să se joace cu aparatul.

Copiii cu vârsta mai mică de 3 ani ar trebui să fie ținuti la distanță, cu excepția cazului în care sunt supravegheați în continuu. Păstrați toate ambalajele departe de copii.

Curățarea și întreținerea de către utilizator nu trebuie efectuate de copii nesupravegheați.

## Siguranță generală

Acest aparat este destinat utilizării în mediu casnic și alte medii similare, cum ar fi: sufragerie, living, bucătării din magazine, birouri și alte medii de lucru. Plăcuța indicatoare este amplasată pe spatele aparatului de aer condiționat.

Păstrați zonele de refulare/evacuare de aer libere.

Nu utilizați dispozitive mecanice sau alte mijloace pentru accelerarea procesului de dezghețare, altele decât cele recomandate de producător. Aparatul nu se va depozita într-o încăpere cu surse de aprindere în funcțiune (de exemplu, flăcări deschise, aparate cu gaz sau încălzitoare electrice în funcțiune). Nu străpungeți aparatul și nu-i dați foc.

Atenție: agenții frigorifici nu conțin mirosuri. Nu folosiți pulverizare cu apă și aburi pentru a curăța dispozitivul. Curățați dispozitivul

cu o cârpă moale umedă. Utilizați numai detergenți neutri. Nu folosiți produse abrazive, lavete abrazive, solvenți sau obiecte metalice. Dacă s-a deteriorat cablul de alimentare, acesta trebuie înlocuit de producător, de centrul autorizat de deservire sau de persoane cu calificare similară, pentru a evita pericolul.

## INSTRUCȚIUNI DE SIGURANȚĂ

### Instalare AVERTIZARE

Acest aparat trebuie să fie instalat de o persoană calificată. Îndepărtați toate materialele de ambalare. Nu instalați și nu folosiți aparatul dacă este deteriorat. Aparatul trebuie să fie instalat, utilizat și depozitat într-o încăpere cu o suprafață utilă de peste 4 m<sup>2</sup> - 4,2 m<sup>2</sup> (7k), 7,7 m<sup>2</sup> (9K), 9,6 m<sup>2</sup> (12K). Respectați instrucțiunile de instalare furnizate cu aparatul. Aveți întotdeauna grijă atunci când mutați dispozitivul, deoarece acesta este greu. Purtați întotdeauna mănuși de protecție. Atenție: agenții frigorifici nu conțin odorizante.

Asigurați-vă că aerul circulă liber în jurul aparatului. Așteptați cel puțin 4 ore înainte de a conecta dispozitivul la sursa de alimentare. Acest lucru permite revenirea uleiului în compresor. Nu instalați dispozitivul în apropierea radiatoarelor sau a altor surse de căldură. Nu instalați aparatul în bătaia directă a razelor soarelui.

### Conexiune electrică

#### AVERTIZARE

Pericol de incendiu și de electrocutare. Aparatul trebuie să fie conectat la o priză cu împământare. Asigurați-vă că sursa de curent respectă specificațiile electrice de pe plăcuța indicatoare. În caz contrar, contactați un electrician. Utilizați întotdeauna o priză rezistentă împotriva șocurilor instalată corect.

Nu utilizați adaptoare pentru multiple ștechere și cabluri prelungitoare. Asigurați-vă că nu deteriorați componentele electrice (de ex. ștecher de alimentare, cablul de alimentare). Contactați centrul autorizat de deservire sau un electrician pentru a schimba componentele electrice. Cablul de alimentare trebuie să fie sub nivelul ștecherului de alimentare. Conectați ștecherul de alimentare la priza electrică numai la sfârșitul instalării. Asigurați-vă că există acces la ștecherul de rețea după instalare. Nu trageți cablul de alimentare pentru a deconecta dispozitivul. Trageți întotdeauna de ștecherul de alimentare.

### Utilizare

#### AVERTIZARE

Pericol de vătămare, arsuri, electrocutare sau incendiu. Nu modificați caracteristicile tehnice ale acestui dispozitiv.

Aveți grijă să nu provocați deteriorarea circuitului de agent frigorific. Acesta conține propan (R290), un gaz natural cu un nivel ridicat de compatibilitate cu mediul. Acest gaz este inflamabil.

Dacă s-a deteriorat circuitul de agent frigorific, asigurați-vă că în încăpere nu sunt flăcări și surse de aprindere. Ventilați încăperea. Nu plasați produse inflamabile sau obiecte umezite cu produse inflamabile lângă dispozitiv sau pe acesta.

### Eliminare

#### AVERTIZARE

Pericol de vătămare. Deconectați aparatul de la rețeaua de alimentare. Tăiați cablul de alimentare și aruncați-l. Circuitul de agent frigorific al acestui dispozitiv este prietenos cu stratul de ozon. Contactați autoritatea locală pentru a obține informații despre modul în care să aruncați corect dispozitivul. Aveți grijă să nu deteriorați partea unității de răcire aflată în apropierea schimbătorului de căldură.

## PREGĂTIREA APARATULUI DE AER CONDIȚIONAT PENTRU INSTALARE

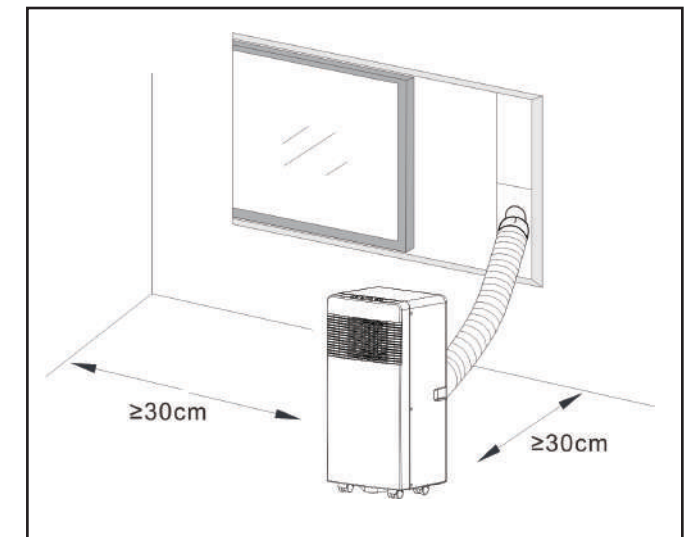
### 2. Instalare

#### ÎNAINTE DE PRIMA UTILIZARE

Înainte de utilizare lăsați aparatul în poziție verticală timp de 2 ore. Acest lucru este necesar pentru ca uleiul pătruns în sistemul de răcire să aibă timp să revină în compresor. (La fel ca la frigider)

#### Important

1. Aparatul de aer condiționat poate fi deplasat cu ușurință în interior. Cât timp îl deplasați, țineți aparatul în poziție verticală. Aparatul de aer condiționat trebuie așezat pe o suprafață plană. Nu instalați și nu utilizați aparatul de aer condiționat în baie sau în alte medii umede. Aparatul de aer condiționat portabil are roți, ceea ce facilitează deplasarea. Dacă se face cald într-o încăpere, pur și simplu duceți acolo aparatul de aer condiționat și puteți începe imediat să răciți spațiul. Pentru a funcționa cu randament optim, aparatul de aer condiționat trebuie utilizat în interior. Închideți toate ușile, ferestrele și celelalte deschideri ale încăperii. Chiar dacă ventilația este intensă, ferestrele mari în bătaia directă a razelor soarelui pot afecta răcirea.
2. Așezați aparatul de aer condiționat astfel încât aerul să circule fără probleme prin partea frontală.
3. Funcționarea unui aparat de aer condiționat într-o încăpere nu influențează semnificativ uscarea unui spațiu de depozitare închis adiacent, cum ar fi un dulap, decât dacă aerul circulă liber spre și dinspre zonă. Aparatul de aer condiționat portabil evacuează căldura din unitate printr-un furtun de aerisire. Acesta se scoate prin deschizătura ferestrei sau printr-o valvă de evacuare.
4. Distanța dintre aparatul de aer condiționat și cel mai apropiat obiect trebuie să fie de cel puțin 30 cm. Consultați figura.



## DESCRIEREA PRODUSULUI

### 3. Descrierea produsului

- |  |   |  |
|--|---|--|
| <p><b>A</b></p> <ol style="list-style-type: none"> <li>Furtun de evacuare a aerului</li> <li>Racord pentru conectarea furtunului de evacuare a aerului la aparatul de aer condiționat</li> <li>Prinderea furtunului de evacuare a aerului în șina de geam</li> <li>Telecomandă</li> <li>Șină de geam</li> <li>Dop de apă</li> <li>Baterii</li> <li>(Furtun)de apă<br/>Lungime: 1m<br/>Diametru: 10mm</li> </ol> <p><b>B</b></p> <ol style="list-style-type: none"> <li>Imaginea produsului văzut din față</li> </ol> <p><b>C</b></p> <ol style="list-style-type: none"> <li>Panou de comandă</li> <li>Ieșire de aer rece</li> <li>Receptor de semnal</li> <li>Telecomandă</li> <li>Măner pentru transport</li> <li>Furtun de ieșire a aerului</li> <li>Admisia de aer a evaporatorului</li> <li>Drenare</li> </ol> <p><b>D</b></p> <ol style="list-style-type: none"> <li>Imagine cu produsul văzut de sus</li> </ol> <p><b>E</b></p> <ol style="list-style-type: none"> <li> Ore/temperatură mai mare</li> <li> Ore/temperatură mai mică</li> <li> Răcire automată, Încălzire<br/> Dezumidificare, modul Ventilator</li> <li> Mod de noapte și blocaj de siguranță pentru copii</li> <li> Oscilații / baleiere</li> <li> Ore</li> <li> Mod de funcționare</li> <li> Viteza ventilatorului (mică/mare)</li> <li> Butonul de pornire/oprire</li> <li> Indicator luminos pentru viteza de ventilator selectată</li> <li> Indicator de funcționare (se aprinde atunci când aparatul este în funcțiune)</li> <li> Indicator luminos al blocajului de siguranță pentru copii și al modului de noapte.</li> <li> WiFi</li> </ol> | <p><b>F</b></p> <ol style="list-style-type: none"> <li>Instrucțiuni pentru curățarea sitei de filtru.</li> </ol> <p><b>G</b></p> <ol style="list-style-type: none"> <li> BUTON<br/>Pornire/oprire</li> <li> BUTON<br/>Apăsați acest buton pentru a selecta modul de funcționare.</li> <li> BUTON<br/>Se folosește pentru selectarea vitezei ventilatorului, în secvență.</li> <li> și  BUTOANE DE SETARE<br/>Se folosesc pentru reglarea temperaturii în încăperea și a temporizatorului.</li> <li> BUTON<br/>Utilizat pentru setarea sau anularea  Modulului.</li> <li> BUTON<br/>Se folosește la setarea orei de OPRIRE, respectiv PORNIRE automată.</li> <li> BUTON<br/>Utilizat pentru setarea funcției de oscilații/baleiere.</li> </ol> <p><b>H</b></p> <ol style="list-style-type: none"> <li>Răsuciți cele două capete ale furtunului de evacuare ca să intre în racorduri, conform indicațiilor.</li> </ol> <p><b>I</b></p> <ol style="list-style-type: none"> <li>Instrucțiuni de instalare a furtunului de evacuare a aerului</li> </ol> | <p><b>J</b></p> <ol style="list-style-type: none"> <li>Instrucțiuni de instalare pe șina de geam <b>OBSERVAȚIE!</b> Această șină de geam nu se potrivește cu toate tipurile de ferestre. Dacă această șină nu se potrivește, vă recomandăm să utilizați kitul de izolare pentru ferestre Wood's (cod articol: wac_wk).</li> </ol> <p><b>K</b></p> <ol style="list-style-type: none"> <li>Propunere de instalare cu șină de geam</li> </ol> <p><b>L</b></p> <ol style="list-style-type: none"> <li>Instrucțiuni de instalare a furtunului de scurgere a apei (<b>OBSERVAȚIE!</b> Furtunul nu este inclus. Duza este pentru un furtun de 10 mm)</li> </ol> |
|--|---|--|

## MODURILE DE FUNCȚIONARE ȘI DESCRIERILE OPERAȚIILOR DE INSTALARE

**A. Accesorii**  
După despachetare, verificați dacă ați primit accesoriile menționate mai sus și verificați destinațiile acestora, în capitolul introductiv de instalare al acestui manual. Accesoriul nr. 6 este montat deja pe partea de jos a aparatului, în spate.

**B. Aparat de aer condiționat, portabil**  
**G. Prezentarea și funcționarea telecomenzii.**  
Observații: - Aveți grijă să nu scăpați telecomanda pe jos. - Nu puneți telecomanda în locuri expuse luminii directe a soarelui.

**A. Introducere în utilizare**  
Înainte de a începe operațiile descrise în această secțiune:  
1) Așezați aparatul de aer condiționat în apropierea unei prize electrice cu împământare.

2) Instalați furtunul de evacuare și reglați poziția ferestrei.

3) Introduceți cablul de alimentare într-o priză de curent alternativ 220~240 V/50 Hz, cu împământare.

4) Apăsați butonul PORNIRE pentru a porni aparatul de aer condiționat.

H, I și K. Instalarea furtunului de evacuare a aerului

**M) Instalarea temporară**  
1. Răsuciți cele două capete ale furtunului de evacuare ca să intre în racordul de furtun.  
2. Introduceți clema de fixare pătrată în evacuarea de aer din spatele aparatului.  
3. Așezați celălalt capăt al furtunului de evacuare pe pervazul geamului din apropiere.

J și K: Instalarea kitului de fixare pe fereastră  
Kitul de fixare pe fereastră se instalează „pe orizontală” sau „pe verticală”. Verificați dimensiunile

minime și maxime ale ferestrei înainte de instalare, conform Fig. 5 și Fig. 5a.  
1. Montați kitul pe fereastră.  
2. Reglați kitul de fixare pe fereastră în funcție de lățimea sau înălțimea ferestrei, apoi fixați cu pivotul.  
3. Prindeți consola de furtun în orificiul din șina de geam

**O. Alarma de rezervor intern „Plin cu apă”**  
Rezervorul de apă din aparat are un senzor de nivel care detectează umplerea rezervorului. Când rezervorul este plin, aparatul se oprește automat, iar pe afișaj

**Este foarte important ca filtrul să fie curățat la intervale regulate. În caz contrar, aparatul de aer condiționat poate pierde din capacitate și chiar se poate deteriora grav.**

apare codul E4.  
(Dacă rezervorul de apă este plin, scoateți dopul de cauciuc din partea de jos a aparatului, pentru ca apa să se scurgă.) Vă recomandăm să scurgeți apa direct într-o tavă. (Dacă rezervorul s-a umplut, scoateți dopul de cauciuc din partea de jos a unității. Apa se va scurge în exterior.)

Instrucțiuni de îngrijire și declarație despre întreținere:

1) Aveți grijă să deconectați produsul de la toate sursele de curent electric înainte de a începe curățarea.  
2) Nu curățați cu benzină sau cu alte substanțe chimice.  
3) Evitați să dați cu apă direct pe aparat.

4) Dacă aparatul este deteriorat, contactați distribuitorul.

1. Filtru de aer  
- Dacă filtrul de aer se înfundă cu praf/murdărie, acesta trebuie curățat o dată la două săptămâni.  
- Demontarea  
Deschideți grilajul de admisie a aerului și scoateți filtrul de aer.  
- Curățarea

Curățați filtrul de aer cu detergent neutru, în apă caldă (40 °C), apoi uscați-l la umbră.  
- Montarea  
Puneți filtrul de aer în grilajul admisie și montați la loc componentele.

2. Întâi curățați suprafețele cu detergent neutru și o lavetă udă, apoi ștergeți-le cu o lavetă uscată.

**E. Înainte de utilizare**  
Verificați dacă furtunul de evacuare este montat corect.

Atenție la operațiile de răcire și dezumidificare:  
- Dacă comutați între funcțiile de răcire și dezumidificare, așteptați cel puțin 3 minute între acestea.  
**ALIMENTAREA.**  
- Priza de curent trebuie să respecte cerințele.

- Priza trebuie să fie de curent alternativ.  
- Nu conectați alte aparate la aceeași priză.  
- Sursa trebuie să alimenteze aparatul cu curent alternativ de 220-240 V, 50 Hz

1. Pornirea produsului  
a) Conectați aparatul la priză. Acesta emite un bip, „○” Se aprinde indicatorul de alimentare.  
b) Apăsați butonul „”. Aparatul este pornit.  
c) LED-ul indică temperatura din încăperea și în modul Automat.

2. Răcirea/Operațiunea de încălzire  
- Apăsați butonul „Mod” până când apare pictograma Fulg de zăpadă/pictogramă soare pe panou.

- Apăsați butonul „+” sau „-” pentru a selecta temperatura de interior dorită. (15 °C - 31 °C)

- Apăsați butonul „Viteza ventilatorului” pentru a selecta intensitatea curentului de aer.  
3. Dezumidificarea  
Apăsați butonul „Mod” până când apare pictograma „Dezumidificare”.  
- Temperatura selectată se setează automat la temperatura actuală minus 2 °C.  
- Motorul ventilatorului trece automat în viteza MICĂ.

4. Ventilatorul  
- Apăsați butonul „Mod” până când apare

## MODURILE DE FUNCȚIONARE ȘI DESCRIERILE OPERAȚIILOR DE INSTALARE

pictograma „Ventilator”.

- Apăsați butonul „Viteza ventilatorului” pentru a selecta intensitatea curentului de aer.

### 5. ⏸ Utilizarea temporizatorului

a) Cât timp aparatul este în funcțiune, apăsați butonul „Temporizator” pentru a seta momentul opririi automate.

b) Apăsați butonul de temporizator pentru a porni aparatul la ora programată.

c) Timpul se poate seta în intervalul 1 oră - 24 de ore. Apăsați butonul de creștere

a temperaturii (+) sau de reducere a

temperaturii (-) pentru a mări sau a reduce perioada cu o oră la fiecare apăsare.

### 6. ⏸ Utilizarea

a) Operația ⏸ are efect atunci când aparatul este în modul ⏸.

b) Apăsați butonul ⏸ în modul ⏸ pentru a activa modul de noapte. În modul de noapte ventilatorul funcționează la turație mică. Temperatura setată crește cu 1 °C după o oră și cu 2 °C după două ore. După 6 ore aparatul se oprește. Dacă temperatura crește cu mai mult decât 2 °C peste valoarea setată, aparatul trece în modul de funcționare completă.

### 7. ⏸ Oscilații / baleiere

a) La activarea butonului Oscilații/ baleiere placa de baleiere începe să se balanseze automat în sus și în jos. Dacă doriți să opriți această funcție, apăsați din nou butonul.

### Service

Dacă aparatul de aer condiționat necesită o intervenție de service, contactați întâi distribuitorul local.

Cererile în garanție trebuie să fie însoțite de dovada achiziției.

Instrucțiuni de depozitare

Depozitarea la sfârșitul sezonului

1) Vă recomandăm să scurgeți apa direct într-un sifon de pardoseală sau într-o tavă. Deșurubați capacul de scurgere și scoateți dopul pentru a scurge toată apa de condens.

2) Țineți aparatul în funcțiune o jumătate de zi în modul ventilator, pentru ca interiorul să se usuce complet. Acest lucru previne formarea de mucegai.

3) Opriți aparatul, scoateți ștecherul din priză și înfășurați cablul pe suport, introduceți ștecherul în orificiul de fixare universal de pe panoul din spate, instalați dopul de apă și capacul de scurgere.

4) Scoateți ansamblul furtunului de evacuare a aerului fierbinte. Curățați-l și păstrați-l în condiții corespunzătoare.

Observație:

Împingeți consolele înăuntru, Atunci când îndepărtați ansamblul furtunului de evacuare, țineți-l cu ambele mâini.

Împingeți la o parte fixatoarele evacuării de aer, cu degetele mari, apoi scoateți ansamblul furtunului de evacuare.

5) Ambalați cu grijă aparatul de aer condiționat într-un sac de plastic moale, puneți-l într-un loc ferit de umezeală și luați măsuri să-l protejați de praf. Nu lăsați aparatul la îndemâna copiilor.

6) Scoateți bateriile din telecomandă și depozitați-o corect.

Observație:

\* Asigurați-vă că aparatul este depozitat într-un loc uscat.

Toate accesoriile aparatului trebuie depozitate împreună, cu protecție adecvată.

\* Suportul cablului de alimentare și priza universală asigură protecția cablului de alimentare.

\* Leșirea de aer este amplasată la o înălțime care permite asamblarea simplă

și ventilația rapidă.

\* Aparatul este Inteligent, ecologic și economic, datorită sistemului de răcire cu evaporare.

\* Are temporizator de 24 de ore, cu un sunet unic de pornire/oprire.

\* Ca măsură de protecție, repornirea compresorului se face cu o întârziere de 3 minute.

## Funcția WiFi

### 1. Descărcați și instalați aplicația

Descărcați aplicația Woods Connect din App Store sau din Google Play

1. Înregistrare/Conectare/Parolă uitată

Înregistrare

Dacă nu aveți un cont de aplicație, creați unul sau conectați-vă cu codul de verificare trimis prin SMS. Această pagină descrie procesul de înregistrare.

2. Atingeți pentru a accesa pagina de înregistrare.

3. Sistemul recunoaște automat țara/zona. De asemenea, puteți să selectați codul de țară. Introduceți numărul de telefon mobil/adresa de e-mail, apoi atingeți „Next” (Următorul).

4. Dacă introduceți numărul de telefon mobil, tastați codul de verificare din mesaj și introduceți parola, atingeți „Confirm” (Confirmare) pentru a finaliza înregistrarea.

5. Dacă introduceți adresa de e-mail, tastați parola și atingeți „Confirm” (Confirmare) pentru a finaliza înregistrarea.

### 2. Conectați-vă cu numele de utilizator și cu parola sau cu codul de verificare trimis prin SMS

**Conectarea cu numele de utilizator și cu parola**

1. Sistemul recunoaște automat țara/zona. De asemenea, puteți să selectați codul de țară. Introduceți numărul de telefon mobil/adresa

de e-mail, apoi atingeți „Next” (Următorul).

2. Pentru a vă conecta, introduceți numărul de telefon mobil/e-mailul înregistrat, precum și parola.

**Conectarea cu cod de verificare**

1. Atingeți „Sign in with SMS verification” (Conectare cu verificare prin SMS) în noua pagină.

2. Sistemul recunoaște automat țara/zona. De asemenea, puteți să selectați codul de țară.

**Parolă uitată**

Dacă v-ați uitat parola, urmați procedura de mai jos:

1. Atingeți „Forgot password” (Am uitat parola).

2. Sistemul recunoaște automat țara/zona. De asemenea, puteți să selectați codul de țară. Introduceți numărul de telefon mobil/adresa de e-mail, apoi atingeți „Next” (Următorul).

3. Introduceți codul de verificare din SMS/e-mail și tastați noua parolă, apoi atingeți „Confirm” (Confirmare) pentru a finaliza.

**WiFi Woods Connect acceptă funcțiile de mai jos:**

- Pornire/oprire
- Modul de răcire
- Modul de dezumidificare
- Modul ventilator
- Modul Eco
- Setările de temperatură
- Viteza: Mică și mare
- Temporizator: 1-24 h
- Noapte: Pornit/oprit
- Curățare automată: Pornit/oprit
- Celsius/Fahrenheit
- Baleiere: Pornit/oprit

### 3. Urmăți procedurile din aplicație pentru a beneficia

## de funcțiile WiFi.

### Smart Home

Dacă aveți un produs Smart Home, parcurgeți pașii de la 1 la 3.

Serviciu de acces la terțe părți: atingeți pictograma unui serviciu vocal al unei terțe părți pentru a afla cum puteți să vă conectați la serviciul respectiv.

Smart Home Woods Connect acceptă comenzi vocale pentru următoarele funcții:

**Pornire/oprire**

**Setările de temperatură**

**Setări de mod**

**Setările de turație a ventilatorului**

Pentru informații suplimentare vizitați:

<https://woods.se/en/>

PROBLEMĂ	CAUZĂ	SOLUȚIE
Aparatul nu pornește la apăsarea butonului de pornire/oprire	Aparatul nu este conectat la curent/ștecher sau priză deteriorată.	Conectați aparatul la curent sau înlocuiți ștecherul sau priza.
	Siguranța a ars sau este defectă.	Schimbați siguranța (3,15 A / 250 V c.a.).
	Temperatura în încăpere este mai mică decât cea setată. (modul de răcire)	Resetați temperatura.
Răcire insuficientă	Ușile sau ferestrele nu sunt închise.	Asigurați-vă că toate ferestrele și ușile sunt închise.
	Sunt surse de căldură în încăpere.	Dacă este posibil, îndepărtați sursele de căldură.
	Furtunul de evacuare a aerului cald nu este racordat sau este blocat.	Racordați sau curățați furtunul de evacuare a aerului.
	Temperatura este setată la o valoare prea ridicată.	Resetați temperatura.
	Admisia de aer este blocată.	Curățați admisia de aer.
Nivel ridicat de zgomot	Podeaua nu este orizontală sau nu este uniformă.	Așezați aparatul pe podea orizontală și uniformă, dacă acest lucru este posibil
	Se aude zgomotul circulației agentului de răcire în interiorul aparatului de aer condiționat.	Este normal.
Dacă aveți probleme cu aparatul de aer condiționat portabil, consultați secțiunea de depanare de mai jos. Dacă niciuna dintre măsurile descrise mai jos nu dă rezultate, contactați distribuitorul pentru a solicita o intervenție de service asupra aparatului de aer condiționat.		

Coduri de eroare	CAUZĂ	SOLUȚIE
Cod E2	Senzorul pentru temperatura din încăpere este defect sau deteriorat.	Înlocuiți senzorul pentru temperatura din încăpere.
Cod E3	S-a defectat senzorul de temperatură din evaporator.	Înlocuiți senzorul de temperatură din evaporator.
Cod E4	Rezervor de apă plin.	Goliți rezervorul de apă.

## Garanții

Consumatorul beneficiază de garanție de 2 ani pentru defectele de producție. Rețineți: garanția este valabilă numai cu prezentarea chitanței. Garanția este valabilă numai dacă produsul este utilizat în conformitate cu instrucțiunile și avertizările de siguranță menționate în acest manual. Garanția nu acoperă deteriorările provocate de manipularea incorectă a produsului.

**OBSERVAȚIE:** Garanția de 2 ani este valabilă numai în cazul consumatorilor, nu și în cazul utilizării comerciale a aparatului.



### OBSERVAȚIE!

Înregistrați-vă la adresa [www.warranty-woods.com](http://www.warranty-woods.com) și aflați cum puteți beneficia de garanție prelungită. Pentru informații suplimentare vizitați [www.woods.se](http://www.woods.se).

### Limite recomandate pentru utilizare

Temperaturile ambientale optime pentru răcire sunt cuprinse între 17 și 35 °C, Parametrii siguranței: φ 5,0 x 20 mm 3,15 A, 250 V c.a.

## DATE TEHNICE

	AC Milan 7K Duo WiFi Smart Home	AC Milan 9K Duo WiFi Smart Home
Capacitate de răcire/Capacitate de încălzire	2000 W/1500 W	2600 W/2000 W
Consum de energie	750 W/600 W	950 W/750 W
Debit de aer:	350 m³/h	350 m³/h
Clasa energetică	A	A
Dezumidificare	19 l / 24 h	24 l / 24 h
Setare de temperatură	15 - 31 °C	15 - 31 °C
Temperatură de funcționare	16 - 43°C	16 - 43°C
EER	2,6	2,7
Lungimea furtunului de evacuare a aerului	1,5 m	1,5 m
Diametrul ștuțului furtunului de evacuare a aerului	155 mm	155 mm
Gaz frigorific	R290/100 g	R290/160 g
Nivel de zgomot în decibeli	51 dB	51 dB
Greutate	22.5 kg	24.5 kg
Dimensiuni în mm, L x l x Î	355 x 350 x 700	355 x 350 x 700

\*Pot apărea modificări și îmbunătățiri tehnice. Toate valorile sunt aproximative și pot varia în funcție de circumstanțe exterioare, cum ar fi temperatura, ventilația și umiditatea.



\*Tăcește marcată indică faptul că produsul nu trebuie eliminat cu alte deșeurile menajere, prevădute valabilă în întreaga UE. Pentru a preveni eventualele prejudicii aduse mediului sau sănătății umane din cauza eliminării necontrolate a deșeurilor, reciclați aparatul în mod responsabil pentru a promova reutilizarea durabilă a resurselor materiale. Pentru a ne returna aparatul, vă rugăm să utilizați sistemele de colectare și returnare sau să contactați distribuitorul de la care a fost achiziționat produsul. Acesta poate prelua acest produs în vederea reciclării ecologice.



\*Bateriile uzate nu trebuie aruncate la gunoierul menajer, deoarece pot conține elemente toxice și metale grele dăunătoare pentru mediu și pentru sănătatea umană. Predați bateriile epuizate la o unitate de reciclare adecvată.

**WOOD'S PUHDISTAA SISÄILMAN**

Wood's tuotemerkin perusti Woodsin perhe yli 65 vuotta sitten Kanadassa, Guelphin kaupungissa Ontariossa. Wood's alkoi kehittää ja valmistaa ilmankuivaimia vuonna 1950. Wood's on vuosikymmenten ajan auttanut useita satoja tuhansia kotitalouksia estämään kosteus- ja homevaurioita ja puhdistamaan sisäilmaa. Siirrettävät ilmastointilaitteemme soveltuvat käytettäväksi useimmissa ilmastoissa, ja toimintakyky on hyvä eri lämpötiloissa ja kosteustasoilla. Niitä käytetään hyvin tuloksin tiloissa, joita halutaan viilentää, kuten olohuoneissa, toimistoissa ja makuuhuoneissa. Ilmastointilaitteen poistaman kuumun ilman määrä riippuu lämpötilasta, kosteustasosta ja laitteen sijainnista. Myös ulkoiset sääolosuhteet saattavat vaikuttaa ilmastointilaitteen toimintaan.

Wood'sin ilmastointilaitteita voidaan käyttää turvallisesti ja jatkuvasti useiden vuosien ajan.

**MITEN ILMASTOINTILAITE TOIMII?**

Matala paine tuottaa viileää ilmaa Ilmastointilaitteen tärkeä osa on jäähdytysneste, joka muuntuu matalassa paineessa kaasuksi. Prosessi "tuottaa kylmää", joka välitetään sisäänpäin, ja samalla lämmin ilma pidetään ulkona. Nestemäinen kylmäaine kulkee paisuntaventtiilin läpi ja putkeen, jossa on matala paine. Kylmäaine haihtuu ja muuttuu kaasuksi. Prosessi imee lämpöä ympäristöstä ja jäähdyttää putkiston. Puhallin puhalttaa viileää ilmaa huoneeseen. Kaasu kulkee kompressorin läpi, mikä nostaa painetta ja muuntaa kaasun nesteiksi. Prosessissa vapautuu lämpöä, joka johdetaan putkiin vastakkaisella puolella ja puhalletaan ulos. Termostaatti sammuttaa laitteen, kun sisäilma on riittävän viileää.

**1. TURVALLISUUSVAROITUKSET**

Tulenarkaa materiaalia. Laite sisältää R290-propania, joka on helposti syttyvä kylmäaine.



Katso turvallisuustiedot tästä käsikirjasta.



Lue tekninen käsikirja



Lue käyttäjän käsikirja.

**TURVALLISUUSTIEDOT**

Lue mukana toimitetut ohjeet huolellisesti ennen laitteen asentamista ja käyttöä. Valmistaja ei ole vastuussa, jos virheellinen asennus ja käyttö aiheuttavat vammoja ja vahinkoja. Säilytä ohjeet aina laitteen kanssa myöhempää käyttöä varten.

**Lasten ja toimintakyvyltään heikkojen ihmisten turvallisuus**

Vamman tai pysyvän vamman riski. Vähintään 8-vuotiaat lapset sekä henkilöt, joilla on heikentynyt fyysinen, psyykinen tai henkinen toimintakyky tai vähän kokemusta tai osaamista, voivat käyttää laitetta, jos heille on annettu ohjeet laitteen turvallisesta käytöstä ja he ymmärtävät käytön riskit. Älä anna lasten leikkiä laitteella.

Alle 3-vuotiaat lapset on pidettävä

loitolla laitteesta, ellei heitä valvota jatkuvasti. Säilytä kaikki pakkausmateriaalit poissa lasten ulottuvilta. Lapset eivät saa puhdistaa laitetta tai tehdä ylläpitotoimia ilman valvontaa.

**Yleinen turvallisuus**

Laite on tarkoitettu käytettäväksi kotitalouksissa ja vastaavissa käyttökohteissa, kuten olohuoneessa, oleskelutiloissa, myymälöiden henkilökunnan keittiötiloissa, toimistoissa ja muissa työympäristöissä. Arvokilpi sijaitsee ilmastointilaitteen takana tai sivulla. Älä peitä tuuletusaukkoja.

Älä nopeuta sulatusprosessia käyttämällä mekaanisia laitteita tai muita keinoja, paitsi valmistajan suosittelema.

Laitetta ei saa säilyttää huoneessa, jossa on toimivia sytytyslähteitä, esim. avotuli tai käynnissä oleva kaasulaite tai sähkölämmitin. Ei saa puhkaista tai polttaa.

Huomaa, että kylmäaineissa ei välttämättä ole tuoksua. Älä puhdista laitetta vesisuihkulla tai -höyryllä. Puhdista laite kostealla pehmeällä liinalla. Käytä vain neutraaleja pesuaineita. Älä käytä hankaavia tuotteita, hankaavia puhdistusyynyjä, liuottimia tai metalliesineitä.

Jos virtajohto vahingoittuu, valmistajan, sen valtuuttaman huollon tai vastaavan pätevän henkilön on vaihdettava johto vaaran välttämiseksi.

**TURVALLISUUSOHJEET**

**Asennus**  
**VAROITUS**



Laitteen saa asentaa vain pätevä henkilö. Poista kaikki pakkausmateriaalit. Älä asenna tai käytä vahingoittunutta laitetta. Laitteen asennus-, käyttö- ja varastointitilan pinta-alan on oltava yli 4 m<sup>2</sup> - 4,2 m<sup>2</sup> (7k), 7,7 m<sup>2</sup> (9K), 9,6 m<sup>2</sup> (12K). Noudata laitteen mukana toimitettuja asennusohjeita. Ole varovainen, kun siirrät laitetta, koska se on raskas. Käytä aina suojakäsineitä. Huomaa, että kylmäaineissa ei välttämättä ole tuoksua.

Varmista, että ilma voi vaihtua laitteen ympärillä. Odota vähintään 4 tuntia, ennen kuin kytket laitteen virtalähteeseen. Odotusaikana öljy virtaa takaisin kompressoriin. Älä asenna laitetta lämpöpattereiden tai muiden lämmönlähteiden lähelle. Älä asenna laitetta suoraan auringonvaloon.

**Sähköliitäntä**

Tulipalon ja sähköiskun vaara. Laite on kytkettävä maadoitettuun pistorasiaan. Varmista, että virtalähde vastaa arvokilven sähkötietoja. Jos ei, ota yhteyttä sähköasentajaan. Käytä aina oikein asennettua iskunkestävää pistorasiaa. Älä käytä monen pistorasian jakajia tai jatkojohtoja. Varmista, ettei mikään aiheuta vaurioita sähkökomponenteille (esim. verkkovirtapistoke, verkkovirtajohto). Ota yhteyttä valtuutettuun huoltoon tai sähköasentajaan, jos

sähkökomponentteihin on tarpeen tehdä muutoksia. Virtajohtoon tulee olla alempana kuin pistoke. Kytke verkkovirtapistoke pistorasiaan vasta asennuksen jälkeen. Varmista, että pistokkeelle on vapaa pääsy asennuksen jälkeen. Älä irrota virtajohtoa johdosta vetämällä. Vedä aina pistokkeesta.

**Käyttö**

**VAARA** Vamman, palovamman, sähköiskun ja tulipalon vaara. Älä muuta laitteen teknisiä määrittäjä.

Varo vahingoittamasta kylmäainepiiriä. Se sisältää propania (R290), luonnollista kylmäainetta, jonka ympäristövaikutukset ovat vähäiset. Kaasu on helposti syttyvää.

Jos kylmäainepiiri vahingoittuu, varmista, että tilassa ei ole avotulta tai sytytyslähteitä. Tuuleta tila. Älä laita tulenarkoja tuotteita tai helposti syttyvällä tuotteella kostutettuja esineitä laitteen lähelle tai päälle.

**Hävittäminen**

Vamman vaara. Irrota laite verkkovirrasta. Katkaise virtajohto ja hävitä se. Laitteen kylmäainepiiri ei vahingoita otsonikerrosta. Kysy kunnan viranomaisilta ohjeet laitteen asianmukaisesta hävittämisestä. Älä vahingoita lämmönvaihtimen lähellä olevaa jäähdytysyksikön osaa.

## ILMASTOINTILAITTEEN VALMISTELU ASENNUSTA VARTEN

### 2. Asennus

#### ENNEN ENSIMMÄISTÄ KÄYTTÖÄ

Anna laitteen olla pystyasennossa 2 tuntia ennen käyttöä. Näin jäähdytysjärjestelmään mahdollisesti vuotanut öljy pääsee virtaamaan takaisin kompressoriin. (Sama kuin jääkaapissa)

#### Tärkeää

1. Tätä ilmastointilaitetta on kätevä siirrellä sisätiloissa. Pidä laite pystyasennossa siirtäessä sitä. Ilmastointilaitte on sijoitettava tasaiselle alustalle.

Älä asenna ilmastointilaitetta kylpyhuoneeseen tai muihin märkätiloihin.

Ilmastointilaitetta on helppo siirtää pyörien ansiosta. Kun sää lämpenee, voit helposti viedä siirrettävän ilmastointilaitteen huoneeseen ja viilentää sen nopeasti.

Ilmastointilaitte toimii parhaiten suljetussa tilassa.

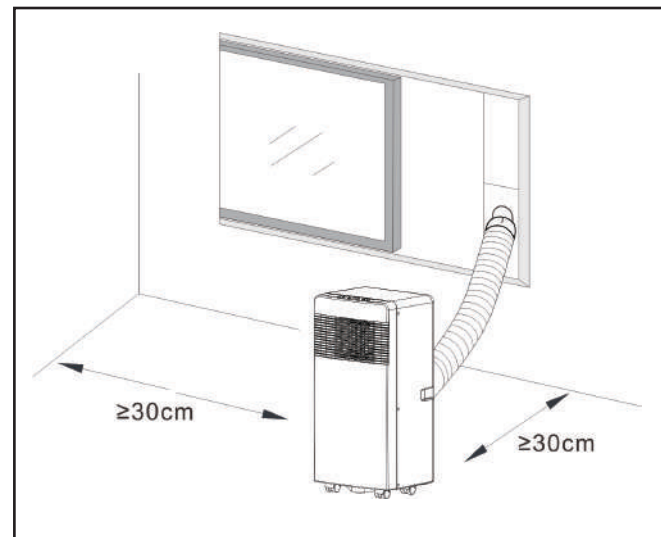
Sulje kaikki ovet, ikkunat ja huoneen muut aukot.

Vaikka sinulla olisi hyvä ilmanvaihto, suuret ikkunat ja niihin paistava suora auringonvalo voi vaikuttaa jäähdytystehoon.

2. Sijoita ilmastointilaitte paikkaan, jossa ilma voi virrata vapaasti laitteen edessä.

3. Kun ilmastointilaitetta käytetään huoneessa, se ei juurikaan vaikuta tilassa oleviin suljettuihin säilytystiloihin, esim. komeroihin, ellei kyseisessä tilassa ole riittävästi ilmanvaihtoa sisään ja ulos. Siirrettävä ilmastointilaitte poistaa kuumaa ilmaa ikkunasta vietävällä letkulla tai poistoilmaventtiilin kautta.

4. Ilmastointilaitte on sijoitettava vähintään 30 cm:n päähän lähimmästä kohteesta. Katso kuva.



## TUOTTEEN KUVAUS

### 3. Tuotteen kuvaus

- |   |   |  |
|---|---|--|
| <p><b>A</b></p> <ol style="list-style-type: none"> <li>Poistoilmaletku</li> <li>Poistoilmaletkun liittäminen ilmastointilaitteeseen</li> <li>Poistoilmaletkun liittäminen ikkunakiskoon</li> <li>Kaukosäädin</li> <li>Ikkunakisko</li> <li>Vesitulppa</li> <li>Paristot</li> <li>Vesiputki<br/>Pituus: 1m<br/>Halkaisija: 10mm</li> </ol> <p><b>B</b></p> <ol style="list-style-type: none"> <li>Tuotekuva edestä</li> </ol> <p><b>C</b></p> <ol style="list-style-type: none"> <li>Ohjauspaneeli</li> <li>Kylmän ilman poistoaukko</li> <li>Signaalin vastaanotin</li> <li>Kaukosäädin</li> <li>Kuljetuskahva</li> <li>Ilmanpoistoletku</li> <li>Höyrytimen ilmanottoaukko</li> <li>Veden poistoaukko</li> </ol> <p><b>D</b></p> <ol style="list-style-type: none"> <li>Tuotekuva ylhäältä</li> </ol> <p><b>E</b></p> <ol style="list-style-type: none"> <li>+ Tunnit/lämpötila ylös</li> <li>- Tunnit/lämpötila alas</li> <li>AUTO    Automaattinen, viilennys, Lämmitys<br/>  Kosteudenpoisto, tuuletintila</li> <li> Lepotila ja lapsilukko</li> <li> Oskillointi/kääntö</li> <li> Tunnit</li> <li> Käyttötila</li> <li> Tuuletinnopeus (hidas/nopea)</li> <li> Virtapainike (päälle/pois)</li> <li> Valitun tuuletinnopeuden merkkivalo</li> <li> Toiminnan merkkivalo (pala, kun kone on toiminnassa)</li> <li> Lapsilukon ja lepotilan merkkivalo.</li> <li> WiFi</li> </ol> | <p><b>F</b></p> <ol style="list-style-type: none"> <li>Suodatinritilän puhdistusohjeet.</li> </ol> <p><b>G</b></p> <ol style="list-style-type: none"> <li> PAINIKE<br/>Virta päälle/pois</li> <li> PAINIKE<br/>Valitse toimintatila tällä painikkeella.</li> <li> PAINIKE<br/>Puhallinnopeuden valinta järjestyksessä.</li> <li> ja  ASETUSPAINIKKEET<br/>käytetään huonelämpötilan ja ajastimen säätämiseen.</li> <li> PAINIKE<br/>Käytetään arvon asettamiseen tai peruuttamiseen  Tilatoiminto.</li> <li> PAINIKE<br/>Käytetään automaattisen sammutuksen ja käynnistyksen asettamiseen.</li> <li> PAINIKE<br/>Käytetään oskillointi/kääntötoiminnon asettamiseen.</li> </ol> <p><b>H</b></p> <ol style="list-style-type: none"> <li>Kierrä poistoletkun päät liitäntöihin kuvan mukaisesti.</li> </ol> <p><b>I</b></p> <ol style="list-style-type: none"> <li>Poistoilmaletkun asennusohjeet</li> </ol> | <p><b>J</b></p> <ol style="list-style-type: none"> <li>Ikkunakiskon asennusohjeet HUOM! Tämä ikkunakisko ei sovellu kaikenlaisiin ikkunoihin. Suosittelemme Woodsin ikkunatiivistesarjaa (tuotenumero: wac_wk), jos tämä kisko ei sovi.</li> </ol> <p><b>K</b></p> <ol style="list-style-type: none"> <li>Ikkunakiskon asennusehdotus</li> </ol> <p><b>L</b></p> <ol style="list-style-type: none"> <li>Tyhjennysletkun asennusohjeet HUOM! Letku ei sisälly toimitukseen. Suutin on sovitettu 10 mm:n laiteletkulle)</li> </ol> |
|---|---|--|

## TOIMINTATILOJEN JA ASENNUKSEN KUVAUS

### A. Lisävarusteet

Tarkista purkamisen jälkeen, että edellä lisävarusteet ovat mukana. Katso niiden käyttötarkoitukset oppaan asennusohjeista. Lisävaruste nro 6 on asennettu valmiiksi pohjaan koneen taakse.

### B. Siirrettävä ilmastointilaitte

G. Kaukosäätimen painikkeet ja toiminnot. Huomautus:- Älä pudota kaukosäädintä.- Älä altista kaukosäädintä suoralle auringonvalolle.

### A. Laitteen käyttö

Ennen käytön aloittamista:

1) Aseta ilmastointilaitte paikkaan, josta on helppo pääsy maadoitettuun pistorasiaan.

2) Asenna poistoputki ja varmista, että laite on sopivassa asennossa ikkunaan nähden.

3) Kytke virtajohto maadoitettuun AC220-240V/50Hz-pistorasiaan.

4) Käynnistä ilmastointilaitte virtakytkimestä.

### H, I ja K. Poistoilmaletkun asennus

### M) Väliaikainen asennus

1. Kierrä poistoletkun molemmat päät letkuliitäntöihin.
2. Aseta kulmikas liitin ilmastointilaitteen takaosassa olevaan ilmanpoistoaukkoon.
3. Aseta poistoletkun toinen pää lähellä olevalle ikkunalaudalle.

J&K: Ikkunan liukusarjan asentaminen Ikkunan liukusarja asennetaan vaaka- tai pystysuoraan. Katso kuvista 5 ja 5a ikkunan vähimmäis- ja enimmäiskoko ennen asennusta.

1. Asenna ikkunasarja ikkunaan;
2. Säädä ikkunan liukusarja ikkunan leveyden tai korkeuden mukaan, ja kiinnitä se tulpalla.
3. Kiinnitä letkukiinnike ikkunakiskon reikään

### O. Sisäinen säiliö "Vesisäiliö täynnä" -hälytys

Koneen sisällä olevassa vesisäiliössä on tasovalvonta, joka havaitsee, kun säiliö on täynnä. Kun säiliö on täynnä, kone sammuu automaattisesti ja näytöllä näytetään koodi E4.

(Jos vesisäiliö on täynnä, tyhjennä vesi irrottamalla yksikön pohjassa oleva kumitulppa.) Suosittelemme, että vesi tyhjenetään lattiakaivoon tai vaihtoehtoisesti reunalliselle uunipellille, kun säiliö on täynnä, irrota kumitulppa laitteen pohjasta, niin vesi valuu ulos.)

**Suodatin on erittäin tärkeä vaihtaa säännöllisesti. Muussa tapauksessa ilmastointilaitteen teho laskee ja laite voi vahingoittua vakavasti.**

### Hoito-ohjeet ja huoltoilmoitus:

- 1) Muista irrottaa johto pistorasiasta ennen puhdistusta.
- 2) Älä käytä bensiiniä tai muita kemikaaleja laitteen puhdistamiseen.
- 3) Vältä veden huuhtelua suoraan laitteeseen

### 4) Jos kone on vaurioitunut, ota yhteyttä jälleenmyyjään

1. Ilmansuodatin
- Jos ilmansuodatin tukkeutuu pölystä/liasta, suodatin on puhdistettava kahden viikon välein.

-Irrotus

Avaa ilmanottorilä ja poista ilmansuodatin.

-Puhdistus

Puhdista ilmansuodatin neutraalilla pesuaineella ja haalealla vedellä (40 °C), ja anna sen kuivua varjossa.

-Asennus

Laita ilmansuodatin takaisin ilmanottorilän taakse samaan paikkaan.

2. Puhdista pinta neutraalilla pesuaineella ja märeällä liinalla, ja kuivaa sen jälkeen kuivalla liinalla.

### E. Ennen käyttöä

Tarkista, että poistoletku on asennettu oikein.

Ota huomioon viilennyksessä ja kosteudenpoistossa: Kun käytät viilennyksen tai kosteudenpoiston toimintoja, pidä vähintään 3 minuutin tauko käynnistysten välillä.

VIRTA.

-Virtalähteen on oltava vaatimusten mukainen.

-Pistoke on tarkoitettu kytkettäväksi verkkovirtaan.

-Älä käytä samassa pistorasiassa muita laitteita.

-Virtalähde on AC220–240 V, 50 Hz

1. Laitteen käynnistäminen

a) Kytke pistorasiaan, laite piippaa kerran, "O" Virranmerkkivalo palaa.

b) Paina "☺" -painiketta ja laite käynnistyy.

c) Näytössä näkyy huoneen lämpötila ja sen alapuolella automaattinen tila.

2. Viilennystoiminto/Lämmitys toiminta

- Paina "Mode"-painiketta, kunnes lumihuutalekuvake/aurinkokuvake näkyy paneelissa.

- Säädä haluttu huonelämpötila

painamalla painiketta "+" tai "-". (15–31 °C)

-Valitse puhaltimen nopeus painamalla Fan Speed -painiketta.

3. Kosteudenpoistotoiminto

Paina "Mode"-painiketta, kunnes

"Dehumidify"-kuvake tulee näkyviin.

- Lämpötilaksi asetetaan automaattisesti nykyinen huonelämpötila miinus 2 °C.

-Puhallin asettuu automaattisesti PIENEEN nopeuteen.

4. Puhaltimen käyttö

-Paina Mode-painiketta, kunnes paneelissa näkyy Fan-kuvake.

-Valitse puhaltimen nopeus painamalla Fan Speed -painiketta.

### 5. ☺Ajastimen käyttö

a) Kun laite on käynnissä, voit asettaa automaattisen sammutusajan painamalla "Timer"-painiketta.

b) Paina ajastinpainiketta ajastettua

## TOIMINTATILOJEN JA ASENNUKSEN KUVAUS

### käynnistystä varten.

c) Ajaksi voidaan säätää 1–24 tuntia. Voit säätää aikaa tunti kerrallaan painamalla

lämpötila ylös (+) tai lämpötila alas (-) painikkeita.

### 6. ☺ Toiminta

a) ☺-toiminto on päällä, kun laite on ✨-tilassa.

b) Aktivoi lepotila painamalla ☺-painiketta ✨-tilassa. Lepotilassa puhallin toimii alhaisella nopeudella. Asetettu lämpötila nousee 1 °C:llä tunnin kuluttua ja 2 °C:llä kahden tunnin kuluttua. Kuuden tunnin kuluttua laite sammuu. Jos lämpötila nousee yli 2 °C asetusarvon yläpuolelle, kone käynnistyy täydellä toiminnalla.

### 7. ⇄ Oskillointi / kääntö

a) Kun oskillointi-/kääntötoiminto on aktivoitu, siiveke kääntyy automaattisesti ylös ja alas. Jos haluat lopettaa, paina painiketta uudelleen.

### Huolto

Jos ilmastointilaitte on huollettava, ota ensin yhteyttä paikalliseen jälleenmyyjään. Kaikki takuuvaatimukset edellyttävät ostotodistusta.

### Säilytysohjeet

### Varastointi käyttökauden lopussa

1) Suosittelemme, että vesi tyhjenetään lattiakaivoon tai vaihtoehtoisesti reunalliselle paistopellille. Kierrä vedenpoistoaukon suojus irti, irrota tulppa ja anna kondenssiveden tyhjentyä kokonaan.

2) Pidä yksikkö käynnissä puhallustilassa puoli päivää, jolloin laite kuivuu sisältä eikä homehdu säilytyksen aikana.

3) Sammuta laite, irrota pistoke ja kääri virtajohto kiinnikkeen ympärille. Työnnä pistoke yleismalliseen kiinnitysreikään

laitteen takapaneelissa. Asenna tulppa ja vedenpoistoaukon suojus.

4) Irrota lämmön poistoputkikokoonpano, puhdista se ja säilytä asianmukaisesti.

Huomaa:

Työnnä kiinnikkeet sisään, Ota kiinni poistoputkikokoonpanosta molemmin käsin, kun irrotat sen. Työnnä ilman poistoaukon sivulla olevia kiinnikkeitä peukaloilla sivulle, ja vedä poistoputkikokoonpano irti.

5) Pakkaa ilmastointilaitte varovasti pehmeään muovipussiin, aseta se kuivaan paikkaan ja ryhdy asianmukaisiin toimiin sen suojaamiseksi pölyltä. Pidä laite poissa lasten ulottuvilta.

6) Poista paristot kaukosäätimestä ja säilytä sitä asianmukaisesti.

Huomaa:

\*Varmista, että laite säilytetään kuivassa paikassa.

Laitteen kaikki lisävarusteet on säilytettävä yhdessä laitteen kanssa ja suojattava asianmukaisesti.

\* Virtajohdon pidike ja yleispistoke suojaavat virtajohtoa.

\* Poistoilma-aukon korkea sijainti tarjoaa yksinkertaisen asennuksen ja nopean ilmanvaihdon.

\* Laitteen itsehöyrystävä jäähdytysjärjestelmä on älykäs, ympäristöystävällinen ja energiaa säästävä.

\* Sisältää 24 tunnin ajastintoiminnon ainutlaatuisella on/off-musiikkiaänellä.

\* Kompressorin uudelleenkäynnistyksessä on suojoitoimintona 3 minuutin viive.



## WiFi-toiminto

### 1. Lataa ja asenna sovellus

Lataa Woods Connect -sovellus App Storesta tai Google Playsta

1. Rekisteröidy/Kirjaudu sisään/Unohtunut salasana

Rekisteröidy  
Jos sinulla ei ole sovellustiliä, rekisteröi tili, tai kirjaudu sisään tekstiviestinä saamallasi vahvistuskoodilla.  
Tällä sivulla kuvataan rekisteröitymisprosessi.

2. Siirry rekisteröitymis sivulle napauttamalla.

3. Järjestelmä tunnistaa automaattisesti maasi/alueesi. Voit myös valita maakoodin. Anna matkapuhelinnumerosi/ sähköpostiosoitteesi ja valitse Seuraava.

4. Jos syötät matkapuhelinnumeron, kirjoita viestinä saamasi vahvistuskoodi, anna salasana ja tee rekisteröinti loppuun valitsemalla "Vahvista" (Confirm).

5. Jos annat sähköpostiosoitteesi, syötä salasana ja tee rekisteröinti loppuun valitsemalla "Vahvista" (Confirm).

### 2. Kirjaudu sisään käyttäjätunnuksella ja salasana tai tekstiviestinä saamallasi vahvistuskoodilla

**Kirjaudu sisään käyttäjätunnuksella ja salasana**

1. Järjestelmä tunnistaa automaattisesti maasi/alueesi. Voit myös valita maakoodin. Anna matkapuhelinnumerosi/ sähköpostiosoitteesi ja napauta

Seuraava.

2. Syötä rekisteröitymisen yhteydessä antamasi matkapuhelinnumero tai sähköpostiosoitteesi ja kirjaudu sisään salasana.

**Kirjaudu sisään vahvistuskoodilla**

1. Siirry uudelle sivulle valitsemalla "Kirjaudu sisään tekstiviestivahvistuksella".  
2. Järjestelmä tunnistaa automaattisesti maasi/alueesi. Voit myös valita maakoodin itse.

**Unohtunut salasana**

Jos olet unohtanut salasanasasi, noudata näitä ohjeita:  
1. Valitse "Unohtunut salasana".

2. Järjestelmä tunnistaa automaattisesti maasi/alueesi. Voit myös valita maakoodin itse. Anna matkapuhelinnumerosi/ sähköpostiosoitteesi ja valitse Seuraava.

3. Syötä tekstiviestillä/ sähköpostiviestissä saamasi vahvistuskoodi, anna uusi salasana ja valitse lopuksi "Vahvista" (Confirm).

**Woods Connect tukee seuraavia toimintoja:**

- Virta päälle/pois
- Viilennystila
- Kosteudenpoistotila
- Puhallustila
- Energiansäästötila
- Lämpötila-asetukset
- Nopeus: Nopea ja hidas
- Ajastin: 1–24 h
- Lepotila: Päällä/pois
- Automaattinen puhdistus: Päällä/pois
- Celsius/Fahrenheit
- Kääntö: Päällä/pois

### 3. Noudata WiF-toimintojen käytössä sovelluksen ohjeita.

## Smart Home

Jos sinulla on Smart Home -tuote, suorita vaiheet 1–3.

Kolmannen osapuolen käyttöoikeuspalvelu: Katso ohjeet palveluun yhdistämisestä napauttamalla kolmannen osapuolen äänipalvelukuvaketta.

Smart Home Woods Connect tukee seuraavia toimintoja äänikomennoilla:

**Virta päälle/pois**  
**Lämpötila-asetukset**  
**Tila-asetukset**  
**Puhaltimen nopeusasetukset**

Lisätietoja osoitteessa:  
<https://woods.se/en/>

ONGELMA	SYY	RATKAISU
Laite ei käynnisty, kun painetaan virtapainiketta	Johto ei ole kiinni / Pistoke tai pistorasia on vaurioitunut.	Kytke johto tai vaihda pistoke tai pistorasia.
	Sulake on palanut tai rikki.	Vaihda sulake (3,15 A/250 AC).
	Huonelämpötila on asetettua lämpötilaa matalampi. (viilennystila)	Nollaa lämpötila.
Laite ei viilennä tarpeeksi	Ovet tai ikkunat eivät ole suljettuina.	Varmista, että kaikki ikkunat ja ovet ovat kiinni.
	Huoneessa on lämmönlähteitä.	Poista lämmönlähteet, jos mahdollista.
	Poistoilmaletkua ei ole yhdistetty tai se on tukossa.	Kytke tai puhdista poistoputki.
	Lämpötila-asetus on liian korkea.	Nollaa lämpötila.
Korkea melutaso	Ilmanottoaukko on tukossa.	Puhdista ilmanottoaukko.
	Alusta ei ole suora tai tarpeeksi tasainen.	Aseta laite tasaiselle, suoralle alustalle, jos mahdollista
	Ääni johtuu kylmäaineen virtaamisesta ilmastointilaitteen sisällä	Se on normaalia.
Jos ilmastointilaitteen kanssa on ongelmia, katso alla oleva vianetsintäosio. Jos mikään alla olevista ratkaisuista ei toimi, ota yhteyttä jälleenmyyjään ilmastointilaitteen huoltoa varten.		

Virhekoodit	SYY	RATKAISU
E2-koodi	Lämpötila-anturin vika tai häiriö.	Vaihda huonelämpötila-anturi.
E3-koodi	Haihduuttimen lämpötila-anturin vika.	Vaihda höyrystimen lämpötila-anturi.
E4-koodi	Vesisäiliö täynnä.	Tyhjennä vesisäiliö.

**Šalinimas****ĮSPĖJIMAS** 

Pavojus susižeisti. Atjunkite prietaisą nuo maitinimo tinklo. Nupjaukite maitinimo laidą ir išmeskite. Šio prietaiso šaltnešio kontūras nekenkia ozonui. Informacijos apie tai, kaip tinkamai išmesti prietaisą, teiraukitės savivaldybėje. Nepažeiskite aušinimo įrenginio dalies, esančios šalia šilumokaičio.

taip nėra, kreipkitės į elektriką. Visada naudokite tinkamai įrengtą smūgiams atsparų lizdą. Nenaudokite šakotuvų ir ilgintuvų. Pasirūpinkite, kad nebūtų pažeisti elektros komponentai (pvz., kištukas, maitinimo kabelis). Kreipkitės į įgaliojantį techninės priežiūros centrą arba elektriką, kad pakeistų elektros komponentus. Maitinimo kabelis turi būti žemiau kištuko lygio. Kištuką į maitinimo lizdą įjunkite tik įrengimo pabaigoje. Pasirūpinkite, kad įrengus prietaisą kištukas būtų lengvai pasiekiamas. Norėdami išjungti prietaisą, netraukite maitinimo kabelio. Visada traukite tik kištuką.

**Naudojimas****ĮSPĖJIMAS** 

Sužeidimų, nudegimų, elektros smūgio ar gaisro pavojus. Nekeiskite šio prietaiso specifikacijos.

Būkite atsargūs, kad nepažeistumėte šaltnešio kontūro. Jame yra propano (R290), aplinkoje lengvai pasklindančių gamtinių dujų. Šios dujos yra degios.

Jei pažeidžiamas šaltnešio kontūras, pasirūpinkite, kad patalpoje nebūtų liepsnos ir uždegimo šaltinių. Vėdinkite patalpą. Nedėkite degių gaminių ar daiktų, persisunkusių degiaisais gaminiiais, šalia arba ant prietaiso.

arba kito kvalifikuoto asmens, išvengiant galimo pavojaus.

**SAUGOS NURODYMAI****Įrengimas**  
**ĮSPĖJIMAS** 

Šį prietaisą gali įrengti tik kvalifikuotas asmuo. Pašalinkite visą pakuotę. Neįrenkite ir nenaudokite pažeisto prietaiso. Prietaisą galima įrengti, eksploatuoti ir laikyti patalpoje, kurios grindų plotas didesnis nei nuo 4 m<sup>2</sup> iki 4,2 m<sup>2</sup>(7k), 7,7 m<sup>2</sup> (9K), 9,6 m<sup>2</sup>(12K). Laikykitės su prietaisu pateiktų įrengimo nurodymų. Prietaisą perkeltkite atsargiai, nes jis yra sunkus. Visada mūvėkite apsaugines pirštines. Turėkite omenyje, kad šaltnešis gali neturėti kvapo.

Pasirūpinkite, kad aplink prietaisą oras galėtų laisvai cirkuliuoti. Prieš prijungdami prietaisą prie maitinimo šaltinio, palaukite bent 4 valandas. Per šį laiką alyva subėgs atgal į kompresorių. Neįrenkite prietaiso arti radiatorių ar kitų šilumos šaltinių. Neįrenkite prietaiso tiesioginių saulės spindulių apšviečiamoje vietoje.

**Elektros maitinimo prijungimas****ĮSPĖJIMAS** 

Gaisro ir elektros smūgio rizika. Prietaisas turi būti prijungtas prie įžeminto maitinimo lizdo. Įsitikinkite, kad duomenų plokštelėje esanti elektros maitinimo informacija atitinka maitinimo šaltinio duomenis. Jei

susijusius pavojus. Neleiskite vaikams žaisti su prietaisu.

Jaunesni kaip 3 metų vaikai turėtų būti laikomi atokiau, nebent jie būtų nuolat prižiūrimi. Visas pakuotes laikykite atokiau nuo vaikų. Prietaiso valymo ir priežiūros darbų vaikai be priežiūros atlikti negali.

**Bendroji sauga**

Šis prietaisas yra skirtas naudoti namų ūkyje ir panašiose vietose, pavyzdžiui, valgomajame, svetainėje, parduotuvių, biurų ir kitų įstaigų darbuotojų virtuvių zonose. Tipo plokštelė yra oro kondicionieriaus šone arba galinėje pusėje. Negalima uždengti ventiliacijos angų.

Nenaudokite mechaninių įtaisų ar kitų priemonių atitirpinimo procesui pagreitinti, išskyrus gamintojo rekomenduotus. Prietaiso negalima laikyti patalpoje, kurioje yra veikiančių degimo šaltinių (pvz., atvira liepsna, veikiantis dujinis prietaisas arba veikiantis elektrinis šildytuvas). Prietaiso negalima badyti ar deginti. Turėkite omenyje, kad šaltnešis gali neturėti kvapo. Prietaisui valyti nenaudokite vandens srovės ir garų. Prietaisą valykite minkšta drėgna šluoste. Naudokite tik neutralius ploviklius. Nenaudokite abrazyvinių gaminių, abrazyvinių šluosčių, tirpiklių ar metalinių daiktų. Jei maitinimo laidas yra pažeistas, jis turi būti pakeistas gamintojo, jo įgaliojamo techninės priežiūros centro

**„WOOD'S“ - ŠVARIAM IR SVEIKAM ORUI PATALPOSE**

„Wood's“ prekės ženklą daugiau nei prieš 65 metus Kanados Guelpo mieste, Ontarijo valstijoje, įkūrė Woods šeima. „Wood's“ pradėjo sausintuvų kūrimą ir gamybą 1950-aisiais. Nuo tada „Wood's“ prietaisai keliems šimtams tūkstančių namų padėjo apsaugoti nuo drėgmės ir pelėsių bei mėgautis švaresniu oru. Mūsų nešiojami oro kondicionieriai tinka naudoti daugelyje klimatų, net svyruojant temperatūroms ir drėgmės lygiui. Jie tinka naudoti ir išylančiose patalpose, tokiose kaip svetainės, biurai ar miegamieji. Karšto oro kiekis, kurį oro kondicionierius ištraukia iš patalpos, priklauso nuo patalpos temperatūros, esamo drėgmės lygio ir pastatymo vietos. Išorinės oro sąlygos taip pat gali paveikti oro kondicionieriaus darbo kokybę.


„Wood's“ oro kondicionieriai veikia saugiai ir skirti naudoti pastoviai daugybe metų.

**KAIP VEIKIA ORO KONDICIONAVIMO PRIETAISAS?**

Žemas slėgis sukuria šaltą orą. Pagrindinis oro kondicionieriaus elementas yra aušinimo skystis, kuris esant žemam slėgiui virsta dujomis. Šis procesas „sukuria šaltį“, kuris nukreipiamas į vidų, o šiltas oras išstumiamas. Skystas aušinimo skystis perleidžiamas per išsiplėtimo vožtuvą į vamzdį, kuriame yra žemas slėgis. Čia aušinimo skystis išgaruoja ir tampa dujomis. Procesu metu iš aplinkos sugerama šiluma ir vamzdis atvėsinamas. Ventilatorius išstumia šaltą orą į patalpą. Dujos pereina per kompresorių, kuris padidina slėgį ir dujas paverčia skysčiu. Šio proceso metu išsiskiria šiluma, ji nukreipama į vamzdžius kitoje pusėje ir išpučiama ventilatoriumi. Termostatas išjungia prietaisą, kai patalpos oras tampa pakankamai vėsus.

**1. SAUGOS ĮSPĖJIMAI**

Degioji medžiaga. Šiame prietaise yra degaus šaltnešio R290 / propano.

 Saugos informacijos ieškokite šiame vadove.

 Žr. techninį vadovą

 Žr. operatoriaus vadovą.

**SAUGOS INFORMACIJA**

Prieš įrengdami ir naudodami prietaisą, atidžiai perskaitykite pateiktus nurodymus. Gamintojas neatsako už sužalojimus ir pažeidimus, atsiradusius neteisingai naudojant prietaisą. Instrukciją visada laikykite prie prietaiso, kad prirėikus galėtumėte pasiskaityti.

**Vaikų ir pažeidžiamų žmonių sauga****ĮSPĖJIMAS** 

Susižalojimo arba nuolatinio neįgalumo pavojus. Šį prietaisą gali naudoti vaikai nuo 8 metų ir asmenys, turintys psichinę, jutiminę ar fizinę negalią, arba neturintys pakankamai patirties ar žinių, jei juos prižiūri arba išmoko saugiai naudotis prietaisu kitas asmuo ir jei jie supranta su prietaiso naudojimu

## ORO KONDICIONIERIAUS PARUOŠIMAS MONTUOTI

### 2. Įrengimas

#### PRIEŠ NAUDOJANT PIRMA KARTĄ

Prieš naudodami prietaisą leiskite 2 val. pabūti jam darbinėje aplinkoje. To reikia, kad alyva, kurios galėjo patekti į aušinimo sistemą, galėtų nutekėti atgal į kompresorių. (Taip pat kaip ir šaldytuve)

#### Svarbu

1. Šį oro kondicionierių galima patogiai pernešti į norimą vietą patalpoje. Perkeldami įrenginį laikykite jį vertikaliaje padėtyje. Oro kondicionierius turi būti pastatytas ant lygaus paviršiaus. Neįrenkite ir nenaudokite šio oro kondicionieriaus vonioje ar kitoje drėgnoje patalpoje.

Kadangi mobilus oro kondicionierius turi ratukus, jį lengva pervežti į norimą vietą. Patalpai įkaitus, galima tiesiog įvežti į ją mobilų oro kondicionierių ir greitai atvėsinti orą.

Kad veiktų efektyviausiai, oro kondicionierių reikia naudoti uždaroje patalpoje.

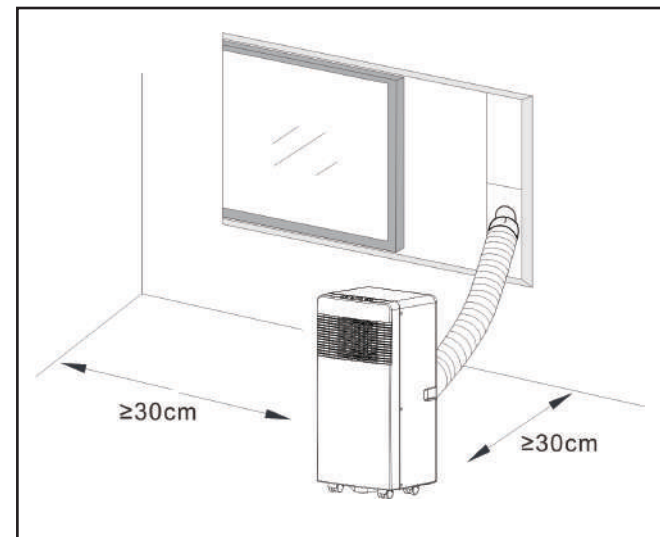
Uždarykite patalpos duris, langus ir kitas angas.

Net jei turite aukštai įrengtą ventiliaciją arba didelius langus su tiesioginiais saulės spinduliais, tai gali turėti įtakos vėsinimui.

2. Oro kondicionierių statykite vietoje, kurioje jis neblokotų oro srauto tėkmės iš prietaiso priekinės pusės.

3. Patalpoje veikiantis oro kondicionierius prastai arba visai nedžiūvins oro gretimose uždaroje saugojimo vietoje, pvz. spintoje, jei joje nebus tinkamos ventiliacijos. Mobilus oro kondicionierius pašalina šilumą iš prietaiso per ventiliatoriaus žarną ir išmeta per langą arba išmetamojo oro vožtuvą.

4. Tarp oro kondicionieriaus ir kito artimiausio objekto būtina palikti bent 30 cm atstumą. Žr. nuorodinį pav.



## PRODUKTO APRAŠYMAS

### 3. Produkto aprašymas

- |   |  |  |
|---|--|--|
| <p><b>A</b></p> <ol style="list-style-type: none"> <li>Išmetamo oro žarna</li> <li>Išmetamo oro žarnos prijungimas prie kintamosios srovės</li> <li>Išmetamo oro žarnos prijungimas prie lango bėgelio</li> <li>Nuotolinio valdymo pultas</li> <li>Lango bėgelis</li> <li>Vandens vamzdžio kištukas</li> <li>Baterijos</li> <li>Drenažo žarna<br/>Ilgis: 1 m<br/>Skersmuo: 10 mm</li> </ol> <p><b>B</b></p> <ol style="list-style-type: none"> <li>Įrenginio vaizdas iš priekio</li> </ol> <p><b>C</b></p> <ol style="list-style-type: none"> <li>Valdymo skydas</li> <li>Šalto oro išleidimo anga</li> <li>Signalų imtuvas</li> <li>Nuotolinio valdymo pultas</li> <li>Nešimo rankena</li> <li>Oro išleidimo žarna</li> <li>Garintuvo oro išleidimo anga</li> <li>Kanalizacijos anga</li> </ol> <p><b>D</b></p> <ol style="list-style-type: none"> <li>Produkto vaizdas iš viršaus</li> </ol> <p><b>E</b></p> <ol style="list-style-type: none"> <li>+ Valandų / temperatūros padidinimas</li> <li>- Valandų / temperatūros sumažinimas</li> <li>AUTO    Automatinis, aušinimas, šildymas</li> <li>  Drėgmės šalinimas, ventiliatoriaus režimas</li> <li> Miego režimas ir užraktas nuo vaikų</li> <li> Vibracija / sukimasis</li> <li> Valandos</li> <li> Darbinis režimas</li> <li> Ventiliatoriaus greitis (mažas / didelis)</li> <li> Maitinimo mygtukas (įjungimo / išjungimo)</li> <li> Indikatoriaus lemputė pasirinktam ventiliatoriaus greičiui</li> <li> Veikimo indikatorius (šviečia, kai įrenginys veikia)</li> <li> Indikacinė lemputė užraktui nuo vaikų ir miego režimui.</li> <li> Wi-Fi</li> </ol> | <p><b>F</b></p> <ol style="list-style-type: none"> <li>Filtro valymo instrukcijos.</li> </ol> <p><b>G</b></p> <ol style="list-style-type: none"> <li> MYGTUKAS<br/>Maitinimo įjungimas / išjungimas</li> <li> MYGTUKAS<br/>Paspauskite šį mygtuką pasirinkti veikimo režimą.</li> <li> MYGTUKAS<br/>Naudojamas ventiliatoriaus greičiui iš eilės pasirinkti.</li> <li> ir  NUSTATYMO MYGTUKAI<br/>Naudojami kambario temperatūrai ir laikmačiui reguliuoti.</li> <li> MYGTUKAS<br/>Naudojamas nustatyti arba atšaukti  ventiliatoriaus režimą.</li> <li> MYGTUKAS<br/>Naudojamas automatiniam išjungimui ir automatiniam įjungimo laikui nustatyti.</li> <li> MYGTUKAS<br/>Naudojamas vibracijos / svyravimo funkcijai nustatyti.</li> </ol> <p><b>H</b></p> <ol style="list-style-type: none"> <li>Pasukite išmetimo žarnos galus į jungtis, kaip parodyta.</li> </ol> <p><b>I</b></p> <ol style="list-style-type: none"> <li>Išmetimo oro žarnos montavimo instrukcijos</li> </ol> | <p><b>J</b></p> <ol style="list-style-type: none"> <li>Lango bėgelio montavimo instrukcija. PASTABA! Šis lango bėgelis tinka ne visų tipų langams. Jei šis bėgelis netinka, rekomenduojame „Wood's“ langų užsandarinimo rinkinį (gaminio numeris: wac_wk).</li> </ol> <p><b>K</b></p> <ol style="list-style-type: none"> <li>Lango bėgelio įrengimo rekomendacija</li> </ol> <p><b>L</b></p> <ol style="list-style-type: none"> <li>Drenažo žarnos įrengimo instrukcija. PASTABA! Žarnos komplektacijoje nėra. Purkštukas pritaikytas 10 mm prietaiso žarnai)</li> </ol> |
|---|--|--|

## EKSPLOATAVIMO REŽIMŲ FUNKCIJA IR ĮRENGIMO APRAŠYMAI

A. Priedai  
Išpakavę patikrinkite, ar yra aukščiau išvardinti priedai, jų paskirtis apibūdinta šio vadovo įrengimo instrukcijoje. Priedas Nr. 6 jau sumontuotas prietaiso gale.

B. Nešiojamasis oro kondicionierius  
G. Nuotolinio valdymo pultelio išvaizda ir funkcija.  
Pastabos. -Nenumeskite valdymo pulto.- Nedėkite valdymo pulto ten, kur krenta tiesioginiai saulės spinduliai.

A. Valdymo funkcijų apžvalga  
Prieš pradėdami šio skyriaus funkcijų naudojimą:  
1) Oro kondicionierių pastatykite tokioje vietoje, kur galite arti prieiti prie įžeminto elektros lizdo.

2) Įrenkite išleidimo žarną ir pakoreguokite lango įstatymo šulinį.

3) Prijunkite maitinimo laidą prie įžeminto AC 220~240 V / 50 Hz lizdo.

4) Paspausdami mygtuką POWER įjunkite oro kondicionierių.

H, I ir K. Išmetimo oro žarnos įrengimas

M Laikinas įrengimas

1. Įsukite abu išleidimo žarnos galus į žarnos jungtį.
2. Įstatykite stačiakampį fiksavimo spaustuką į oro išleidimo angą įrenginio priekinėje pusėje.
3. Kitą išleidimo žarnos galą nutieskite link artimiausios palangės.

J ir K: Lango slankiklio mechanizmo įrengimas

Lango slankiklio mechanizmą galima įrengti daugiausiai horizontaliai arba vertikaliai. Kaip pavaizduota 5 ir 5a pav., prieš įrengimą patikrinkite minimalų ir maksimalų lango dydį.

1. Įrenkite lango mechanizmą ant lango.
2. Pakoreguokite lango slankiklio mechanizmo ilgį pagal lango plotį ar aukštį, užfiksuokite kaiščiu.

3. Pritvirtinkite žarnos laikiklį prie skylės lango bėgelyje

O. Vidinio bakelio signalas „Pripildyta vandens“  
Įrenginio viduje esantis vandens bakelis turi lygio monitorių, kuris nustato, kada bakelis pilnas. Kai bakelis prisipildo, aparatas automatiškai išsijungia ir ekrane rodomas kodas E4.

(Jei vandens bakelis pilnas, ištraukite guminį kamštį įrenginio apačioje ir išleiskite vandenį.) Rekomenduojame išleisti vandenį į grindų kanalizaciją arba į

**Labai svarbu, kad filtras būtų reguliariai valomas. Priešingu atveju oro kondicionierius gali prarasti talpą ir netgi būti rimtai pažeistas.**

orkaitės skardą.  
kai bakelis yra pilnas vandens, ištraukite guminį kamštį įrenginio apačioje, ir vanduo išbėgs lauk.)

Priežiūros instrukcijos ir techninės priežiūros deklaracija:

- 1) Prieš valydami būtinai atjunkite prietaisą nuo elektros lizdo.
- 2) Nevalykite prietaiso benzinu ar kitokiomis cheminėmis priemonėmis.
- 3) Venkite skalauti vandens tiesiai ant įrenginio

4) Jei įrenginys pažeidžiamas, kreipkitės į pardavėją

1. Oro filtras

-Jei oro filtras užsikemša dulkėmis ar purvu, oro filtrą reikia valyti kas dvi savaites.

-Išmontavimas

Atidarykite oro įleidimo angos groteles, ištraukite oro filtrą.

-Valymas

Nuvalykite oro filtrą neutraliu valikliu su drungnu vandeniu (40 °C) ir pavėsyje palikite išdžiūti.

-Sumontavimas

Įstatykite oro filtrą į angos groteles, vėl

sumontuokite komponentus į jų vietas.

2. Nuvalykite paviršių neutraliu plovikliu ir drėgnu skudurėliu, po to išdžiovinkite sausu skudurėliu.

E. Prieš naudodami

Patikrinkite, ar išleidimo žarna yra tinkamai sumontuota.

Atsargumo priemonės dėl aušinimo ir drėgmės pašalinimo operacijų:

-Kai naudojate aušinimo ir sausinimo funkcijas, tarp įjungimų palikite 3 minučių intervalus.

-Maitinimo šaltinis atitinka reikalavimus.

-Lizdas yra skirtas kintamajai srovei.

-Į tą patį lizdą nejunkite kitų prietaisų.

-Maitinimo šaltinis yra 220-240 V kint. sr., 50 Hz

1. Įjunkite įrenginį

- a) Įjunkite kištuką, tada įrenginys vieną kartą pypteli: „O“ Dega maitinimo indikatorius lemputė. b) Paspauskite mygtuką „U“, tada įrenginys įjungiamas.
- c) LED ekrane rodoma patalpos temperatūra ir automatinis režimas.

2. Aušinimo operacija/Šildymo režimo nustatymas

- Spauskite mygtuką „Režimas“, kol skydelyje bus rodoma snaižės piktograma/Saulės ženkliukas.

- Paspauskite „+“ arba „-“ mygtuką ir pasirinkite norimą patalpos temperatūrą. (15 °C -31 °C)

-Paspauskite ventiliatoriaus greičio mygtuką ir pasirinkite vėjo pūtimo greitį.

3. Sausinimo operacija

Spauskite režimo mygtuką, kol pamatysite sausinimo piktogramą.

-Automatiškai nustatykite pasirinktą temperatūrą į esamą patalpos temperatūrą minus 2 °C.

-Automatiškai nustatykite ventiliatoriaus variklį į mažą vėjo greitį.

4. Ventiliatoriaus režimas

-Paspauskite režimo mygtuką, kol pamatysite ventiliatoriaus piktogramą.

-Paspauskite ventiliatoriaus greičio mygtuką ir pasirinkite vėjo pūtimo greitį.

5. ☺ Laikmačio naudojimas

a) Kai įrenginys veikia, paspausdami laikmačio mygtuką nustatykite

## EKSPLOATAVIMO REŽIMŲ FUNKCIJA IR ĮRENGIMO APRAŠYMAI

automatinio išjungimo laiką.

b) Paspauskite laikmačio mygtuką, kad pradėtumėte pagal planą.

c) Laiką galima reguliuoti nuo 1 valandos iki 24 valandų. Paspauskite temperatūros didinimo (+) arba temperatūros

mažinimo (-) mygtuką, kad vieną kartą padidintumėte arba sumažintumėte laiką viena valanda.

6. ☺ Veikimas

a) Operacija ☺ gali būti atliekama, kai įrenginys veikia ☼ režimu.

b) Paspauskite mygtuką ☺☼ režimu, kad įjungtumėte miego režimą. Miego režimu ventiliatorius veiks mažu greičiu. Nustatyta temperatūra po valandos padidėja 1 °C, o po dviejų valandų - 2 °C. Po 6 valandų įrenginys išsijungia. Jei temperatūra pakils daugiau nei 2 °C virš nustatytos vertės, įrenginys pradės veikti visu galingumu.

7. ☺ Vibracija / sukimasis

a) įjungus Vibracijos / sukimosi mygtuką, sukimosi plokštė automatiškai svyruoja aukštyn ir žemyn. Jei norite funkciją sustabdyti, dar kartą paspauskite mygtuką.

Jei reikia atlikti oro kondicionieriaus aptarnavimo procedūras, iš pradžių kreipkitės į vietinį pardavėją. Kreipiantis dėl garantinio aptarnavimo būtina turėti pirkimo kvitą.

Laikymo instrukcijos

Sandėliavimas pasibaigus sezonui

1) Rekomenduojame išleisti vandenį į grindų kanalizaciją arba į kepinimo skardą. Atsukite drenažo dangtelį, ištraukite kaištį ir išleiskite visą kondensatą.

2) Leiskite prietaisui pusdienį paveikti ventiliatoriaus režimu, kad visas prietaisas išdžiūtų ir viduje neatsirastų pelėsių.

3) Išjunkite prietaisą, ištraukite, apskukite maitinimo laidą aplink apvijos koloną, kištuką įkiškite į universalus tvirtinimo angą galinėje plokštelėje, įstatykite vandens kaištį ir drenažo dangtelį.

4) Atjunkite karščio išleidimo žarną, ją išvalykite ir tinkamai pasidėkite.

Pastaba.

Įspauskite rėmą, išimdami laikykite išleidimo žarnos bloką abiem rankomis.

Paspausdami fiksatorius išleidžiamo oro angos šonuose nykščiais ištraukite oro išleidimo žarną.

5) Atsargiai supakuokite oro kondicionierių minkštu plastikiniu maišeliu, padėkite ant sausos vietos ir imkitės atitinkamų veiksmų, kad apsaugotumėte nuo dulkių. Prietaisą laikykite vaikams nepasiekiamoje vietoje.

6) Iš nuotolinio valdymo pulto išimkite ir tinkamai pasidėkite baterijas.

Pastaba.

\*Prietaisą sandėliuokite sausoje vietoje. Visi prietaiso priedai turi būti laikomi kartu ir tinkamai apsaugoti.

\* Maitinimo laido laikiklis ir universalus lizdas saugo maitinimo laidą.

\* Išmetimo oro išleidimo anga aukštame taške, paprastai surenka orą ir sparčiai vėdina patalpą.

\* Įrenginio savaiminio išgarinimo aušinimo sistema yra išmani, draugiška aplinkai ir taupanti energiją.

\* Turi 24 valandų laikmačio funkciją su unikaliu įjungimo / išjungimo muzikiniu garsu.

\* Kompresorius vėl paleidžiamas po 3 minučių, tai yra jo apsauginė funkcija.

## Wi-Fi funkcija

### 1. Atsisiųskite ir įdiekite

#### programėlę

Atsisiųskite „Woods Connect“ programėlę iš „App Store“ ar „Google Play“

1. Registruotis / Prisijungti / Pamiršau slaptažodį

Registruotis

Jei programėlėje paskyros neturite, registruokite paskyrą arba prisijunkite su patvirtinimo kodu, kurį gausite per SMS.

Šiame puslapyje apibūdintas registracijos procesas.

2. Palieskite norėdami pereiti į registracijos puslapį.

3. Sistema automatiškai atpažįsta jūsų šalį / regioną. Taip pat galite pasirinkti savo šalies kodą. Įveskite mobiliojo telefono numerį/el. paštą ir palieskite „Next“ (Toliau).

4. Jei įvedėte mobiliojo telefono numerį, įveskite patvirtinimo kodą į pranešimą ir įveskite slaptažodį, paliesdami „Confirm“ (Patvirtinti) užbaikite registraciją.

5. Jei įvedėte el. paštą, įveskite slaptažodį ir paliesdami „Confirm“ (Patvirtinti) užbaikite registraciją.

### 2. Prisijunkite su vartotojo vardu ir slaptažodžiu arba patvirtinimo kodu, gautu per SMS

**Prisijunkite su vartotojo vardu ir slaptažodžiu**

1. Sistema automatiškai atpažįsta jūsų šalį / regioną. Taip pat galite pasirinkti savo šalies kodą. Įveskite mobiliojo telefono numerį/el. paštą ir palieskite „Next“ (Toliau).

2. Įveskite savo registruotą mobiliojo telefono numerį, el. pašto adresą ir slaptažodį, kad prisijungtumėte.

**Prisijunkite naudodami patvirtinimo kodą**

1. Palieskite „Sign in with SMS verification“ (Prisijungti su SMS patvirtinimu) naujame puslapyje  
2. Sistema automatiškai atpažįsta jūsų šalį / regioną. Taip pat galite pasirinkti savo šalies kodą patys.

**Pamiršau slaptažodį**

Jei pamiršote slaptažodį:

1. Palieskite „Forgot password“ (Pamiršau slaptažodį)

2. Sistema automatiškai atpažįsta jūsų šalį / regioną. Taip pat galite pasirinkti savo šalies kodą patys. Įveskite mobiliojo telefono numerį/el. paštą ir palieskite „Next“ (Toliau).

3. Įveskite patvirtinimo kodą iš pranešimo / el. laiško ir įveskite naują slaptažodį, palieskite „Confirm“ (Patvirtinti).

**„Woods Connect“ palaiko šias funkcijas:**

- Maitinimo įjungimas / išjungimas
- Aušinimo režimas
- Sausinimo režimas
- Ventiliatoriaus režimas
- Ekonomiško veikimo režimas
- Temperatūros nustatymai
- Greitis: mažas ir didelis
- Laikmatis: 1-24 val.
- Miego režimas: įj. / išj.
- Automatinis valymas: įj. / išj.
- Celsijaus / Farenheito laipsniai
- Sukimasis įj. / išj.

**3. Norėdami naudoti Wi-Fi funkcijas, vykdykite instrukcijas programėlėje.**

**„Smart Home“**

Jei turite „Smart Home“ produktą, atlikite 1-3 veiksmus.

Trečiosios šalies prieigos paslauga: Palieskite trečiosios šalies balso paslaugos piktogramą norėdami sužinoti, kaip prisijungti prie paslaugos.

„Smart Home Woods Connect“ palaiko šias funkcijas balsu:

**Maitinimo įjungimas / išjungimas  
Temperatūros nustatymai  
Režimo nustatymai  
Ventiliatoriaus greičio nustatymai**

Daugiau informacijos rasite svetainėje <https://woods.se/en/>

PROBLEMA	Priežastis	TRIKČIŲ ŠALINIMAS
Prietaisas neįsijungia nuspaudus įjungimo / išjungimo mygtuką	Prietaisas neprijungtas / Kištukas arba lizdas pažeistas.	Prijunkite arba pakeiskite maitinimo laidą arba lizdą.
	Saugiklis sudegęs arba sulūžęs.	Pakeiskite saugiklį (3,15 A / 250 kint. sr.)
	Patalpos temperatūra yra žemesnė negu nustatyta temperatūra. (Aušinimo režimu)	Atstatykite temperatūrą
Nepakankamai vėsu	Neuždarytos durys ar langai.	Įsitikinkite, kad visi langai ir durys yra uždaryti.
	Patalpoje yra šilumos šaltinių.	Jei įmanoma, pašalinkite šilumos šaltinius
	Oro išleidimo žarna neprijungta arba užsikimšusi.	Nuvalykite ar prijunkite oro išleidimo žarną.
	Nustatyta per aukšta temperatūra.	Atstatykite temperatūrą
	Oro įleidimo anga blokuojama.	Nuvalykite oro įleidimo angą.
Didelis garsas	Grindys nelygios arba nepakankamai plokščios.	Prietaisą pastatykite ant kuo lygesnių ir horizontalių grindų
	Oro kondicionieriuje tekant šaltnešiu girdisi garsas	Tai yra normalu.
Jei su nešiojamo oro kondicionieriumi iškilo problemų, žr. trikčių diagnostiką toliau. Jei patarimai nepadaeda, susisiekite su savo oro kondicionieriaus aptarnavimo įmone.		

Klaidų kodai	PRIEŽASTIS	TRIKČIŲ ŠALINIMAS
E2 kodas	Patalpos temperatūros jutiklis sugedo arba yra pažeistas.	Pakeiskite patalpos temperatūros jutiklį.
E3 kodas	Sugedo garintuvo temperatūros jutiklis.	Pakeiskite garintuvo temperatūros jutiklį.
E4 kodas	Vandens talpykla pilna.	Ištuštinkite vandens talpyklą.

## Garantijos

2 metų vartotojo garantija dėl gamybos trūkumų nebuvimo. Atkreipkite dėmesį, kad garantija galioja tik pateikus pirkimo kvitą. Garantija galioja tik tuo atveju, jei prietaisas buvo naudojamas pagal instrukcijas ir saugos įspėjimus, pateikiamus šiame vadove. Garantija neapima žalos, atsiradusios dėl netinkamo produkto naudojimo.

**PASTABA.** 2 metų garantija taikoma tik buitiniams vartotojams, be komerciniam prietaiso naudojimui.



### PASTABA!

Užsiregistruokite adresu [www.warranty-woods.com](http://www.warranty-woods.com) ir sužinokite daugiau apie tai, kaip pratęsti garantiją. Daugiau informacijos pateikiama tinklapyje [woods.se](http://woods.se).

### Rekomenduojamos sąlygos tinkamam oro sausintuvo veikimui

Geriausia darbinė aplinkos temperatūra aušinimui yra 17-35 °C,  
Saugiklio parametras: φ5,0 x 20 mm  
3,15 A, 250 V kint. sr.

## TECHNINIAI DUOMENYS

	AC Milan 7K Duo WiFi Smart Home	AC Milan 7K Duo WiFi Smart Home
Aušinimo galia/Šildymo galia	2000 W/1500 W	2600 W/2000 W
Energijos suvartojimas	750 W/600 W	950 W/750 W
Oro srautas:	350 m <sup>3</sup> /h	350 m <sup>3</sup> /h
Energijos klasė	A	A
Sausinimas	19 l / 24 val.	24 l / 24 val.
Temperatūros nustatymas	15-31 °C	15-31 °C
Darbinė temperatūra	16-43°C	16-43°C
EER	2,6	2,7
Oro išmetimo žarnos ilgis	1,5 m	1,5 m
Oro išmetimo žarnos vamzdžio skersmuo	155 mm	155 mm
Šaltnešio dujos	R290 / 100 g	R290 / 160 g
Garsumo lygis, dB	51dB	51dB
Svoris	22.5 kg	24.5 kg
Matmenys mm, l x P x A	355x350x700	355x350x700

\* Gali būti techninių pakeitimų ir patobulinimų. Visos vertės yra apytikrės ir gali skirtis dėl išorinių aplinkybių, pavyzdžiui, temperatūros, vėdinimo ir drėgmės.



\*Ši žyma rodo, kad šio gaminio nereikėtų išmesti su kitomis buitinėmis atliekomis visoje ES. Siekiant išvengti galimos nekontroliuojamo atliekų šalinimo sukeltos žalos aplinkai ar žmogaus sveikatai, jį atsakingai utilizuokite, kad būtų skatinamas tvarus pakartotinis materialių išteklių naudojimas. Jei norite įrenginį grąžinti mums, naudokitės grąžinimo ir surinkimo sistemomis arba kreipkitės į pardavėją, kur buvo įsigytas gaminys. Jie gali priimti šį gaminį, kad jis būtų perdirbtas nepakenkiant aplinkai.



\*Panaudotų baterijų negalima išmesti kartu su buitinėmis šiukšlėmis, nes jose gali būti toksiškų elementų ir sunkiųjų metalų, kurie gali pakenkti aplinkai ir žmonių sveikatai. Panaudotas baterijas pristatykite į atitinkamą perdirbimo vietą.

## WOOD'S TĪRAM UN VESELĪGAM IEKŠTELPU GAISAM

Wood's zīmols kopā ar Wood's saimi radās pirms vairāk nekā 65 gadiem Kanādas pilsētā Guelph (Ontario). Šeit Wood's 1950. gadā sāka izstrādāt un ražot gaisa sausinātājus. Kopš tā laika Wood's palīdzību izmantojušo mājsaimniecību skaits sasniedz vairākus simtus tūkstošu, novēršot mitruma un pelējuma radītos bojājumus, un, lai elpotu tīrāku gaisu. Mūsu pārnēsājami gaisa kondicionētāji ir piemēroti lietošanai vairumā klimatu, kur jauda ir laba pat dažādos temperatūras un mitruma līmeņos. Tie nodrošina labus rezultātus uzkarušās telpās, piemēram, dzīvojamās istabās, birojos un guļamistabās. Gaisa kondicioniera izvadītā karstā gaisa daudzums ir atkarīgs no temperatūras, mitruma līmeņa un novietojuma. Gaisa kondicionētāja veikspēju var ietekmēt arī ārēji laikapstākļi.

Wood's gaisa kondicionētāju ekspluatācija ir droša, un tiek ir paredzēti pastāvīgi lietošanai daudzu gadu garumā.

## KĀ DARBOJAS GAISA KONDICIONĒŠANAS IERĪCE?

Zems spiediens nodrošina aukstu gaisu. Gaisa kondicionētāja galvenais elements ir aukstumaģents, kas zema spiediena gadījumā tiek pārvērsts par gāzi. Šis process "rada aukstumu", kas tiek pārnest uz iekšpusi, silto gaisu atstājot ārā. Šķidrums aukstumaģents iziet caur izplešanās vārstu un nonāk caurulē, kur ir zems spiediens.

Aukstumaģents iztvaiko un pārvēršas par gāzi. Process absorbē vides siltumu, un caurule tiek atdzesēta.

Ventilators auksto gaisu iepūš telpā.

Gāze iziet caur kompresoru, kas palielina spiedienu un pārvērš gāzi šķidrumā.

Šajā procesā tiek atbrīvots siltums, kas tiek aizvadīts uz caurulēm pretējā pusē un izpūsts ar ventilatoru.

Termostats izslēdz ierīci, kad iekštelpu gaiss ir pietiekami vēss.

## 1. DROŠĪBAS BRĪDINĀJUMI



Viegli uzliesmojošs materiāls. Šī ierīce satur R290/propānu, kas ir viegli uzliesmojošs aukstumaģents.



Informāciju par drošību skatiet šajā rokasgrāmatā.



Izlasiet tehnisko rokasgrāmatu



Izlasiet operatora rokasgrāmatu.

## INFORMĀCIJA PAR DROŠĪBU

Pirms ierīces uzstādīšanas un lietošanas uzmanīgi izlasiet komplektācijā ietvertu instrukciju.

Ražotājs neuzņemas atbildību par nepar4eizas uzstādīšanas un lietošanas izraisītiem savainojumiem un bojājumiem. Vienmēr glabājiet instrukciju ierīces tuvumā turpmākai uzziņai.

## Bērnu un neaizsargātu personu drošība

### BRĪDINĀJUMS



Traumu vai neatgriezeniskas invaliditātes risks.

Šo ierīci drīkst lietot bērni no 8 gadu vecuma un personas ar fiziskiem, uztveres vai garīgiem traucējumiem, kā arī personas, kurām nav nepieciešamās pieredzes un zināšanu, ja tās ir

saņēmušas praktisku apmācību vai norādījumus par ierīces drošu lietošanu un izprot ar to saistīto apdraudējumu.

Neļaujiet bērniem rotaļāties ar ierīci.

Bērni līdz 3 gadu vecumam nedrīkst tuvoties ierīcei, ja vien viņi netiek nepārtraukti uzraudzīti. Sargājiet visu iepakojumu no bērniem.

Bērni nedrīkst bez uzraudzības veikt tīrīšanu un lietotāja apkopi.

## Vispārējā drošība

Šo ierīci paredzēts lietot mājsaimniecībās un līdzīgās vietās, piemēram, ģimenes istabā, dzīvojamā istabā, personāla virtuves telpās veikalos, birojos un citā darba vidē. Nominālo tehnisko datu plāksnīte atrodas gaisa kondicionētāja sānos vai aizmugurē.

Nodrošiniet, lai ventilācijas atveres nebūtu nosprostotas.

Atkausēšanas procesa paātrināšanai neizmantojiet mehāniskas ierīces vai citus līdzekļus, ko nav ieteicis ražotājs. Ierīci nedrīkst uzglabāt telpā, kur darbojas ierīces, kas var izraisīt aizdegšanos (piemēram, atklāta liesma, aizdegta gāzes ierīce vai ieslēgts elektriskais sildītājs). Necaurduriet un nededziniet. Ņemiet vērā, ka aukstumaģentiem var nebūt smaržas. Ierīces tīrīšanai neizmantojiet ūdens smidzinātāju un tvaiku. Tīriet ierīci ar mitru mīkstu drānu. Izmantojiet tikai neitrālus mazgāšanas līdzekļus. Neizmantojiet abrazīvus

izstrādājumus, abrazīvus tīrīšanas spilventiņus, šķīdinātājus vai metāla priekšmetus.

Ja ir bojāts strāvas padeves vads, ražotājam, tā pilnvarotam apkopes centram vai līdzīgas kvalifikācijas personām tas ir jānomaina, lai novērstu apdraudējumu.

## DROŠĪBAS NORĀDĪJUMI

### Uzstādīšana BRĪDINĀJUMS

Šo ierīci drīkst uzstādīt tikai kvalificēta persona.

Noņemiet visu iepakojumu.

Neuzstādiet un nelietojiet bojātu ierīci. Ierīce ir jāuzstāda, jālieto un jāglabā telpā, kuru grīdas laukums ir vismaz 4 m<sup>2</sup> līdz 4,2 m<sup>2</sup> (7k), 7,7 m<sup>2</sup> (9K), 9,6 m<sup>2</sup> (12K). Izpildiet ierīces uzstādīšanas instrukcijā sniegtos norādījumus.

Pārvietojot ierīci, vienmēr rīkojieties piesardzīgi, jo ierīce ir smaga. Vienmēr lietojiet aizsargcimdus. Ņemiet vērā, ka aukstumaģentiem var nebūt smaržas.

Nodrošiniet, lai ap ierīci varētu cirkulēt gaiss.

Pirms ierīces pievienošanas strāvas avotam uzgaidiet vismaz 4 stundas. Tā ir jārikojas, lai eļļa varētu ieplūst atpakaļ kompresorā. Neuzstādiet ierīci radiatoru vai citu karstuma avotu tuvumā.

Neuzstādiet ierīci tiešā saules gaismā.

### Elektriskais savienojums

#### BRĪDINĀJUMS

Ugunsgrēka un elektriskās strāvas

trīciena risks.

Ierīce ir jāpievieno iezemētai kontaktligzdai.

Pārliedzieties, vai nominālo tehnisko datu plāksnītē norādītie elektrības dati atbilst strāvas avota parametriem. Ja tā nav, sazinieties ar elektriķi.

Vienmēr izmantojiet pareizi uzstādītu triecienuizturīgu kontaktligzdu.

Neizmantojiet vairāku ligzdu adapterus un pagarinātājus.

Uzmanieties, lai nesabojātu elektriskās sastāvdaļas (piemēram, strāvas padeves kontaktdakšu un kabeli).

Ja ir jānomaina elektriskās sastāvdaļas, sazinieties ar pilnvaroto apkopes centru vai elektriķi.

Strāvas padeves kabelim ir jāatrodas zemāk par strāvas padeves kontaktdakšu.

Pievienojiet strāvas padeves kontaktdakšu elektrotīkla kontaktdakšai tikai uzstādīšanas beigās.

Pēc uzstādīšanas pārliedzieties, vai var piekļūt strāvas padeves kontaktdakšai.

Nevelciet strāvas padeves kabeli, lai atvienotu ierīci. Vienmēr velciet strāvas padeves kontaktdakšu.

### Lietošana

#### BRĪDINĀJUMS

Traumu, apdegumu, strāvas triecienu vai ugunsgrēka risks. Nemainiet šīs ierīces tehniskos datus.

Uzmanieties, lai nesabojātu aukstumaģenta kontūru. Tas satur

propānu (R290), kas ir dabasgāze ar augsta līmeņa saderību ar vidi. Šī gāze ir viegli uzliesmojoša.

Aukstumaģenta kontūra bojājumu gadījumā nodrošiniet, lai telpā nebūtu liesmu un uzliesmošanas avotu. Izvēdiniet telpu. Nenovietojiet uz ierīces vai tās tuvumā viegli uzliesmojošus produktus vai ar šādiem produktiem samitrinātus priekšmetus.

### Likvidēšana

#### BRĪDINĀJUMS

Savainojumu risks.

Atvienojiet ierīci no strāvas avota. Nogrieziet strāvas padeves vadu un izmetiet to.

Šīs ierīces aukstumaģenta kontūrs nav kaitīgs ozonam. Sazinieties ar pašvaldības iestādi, lai uzzinātu, kā pareizi likvidēt ierīci. Nesabojāiet siltummaiņa tuvumā esošo dzesēšanas bloka daļu.

## GAISA KONDICIONĒTĀJA IESTATĪŠANA UZSTĀDĪŠANAI

### 2. Uzstādīšana

#### PIRMS PIRMĀS LIETOŠANAS

Pirms lietošanas ļaujiet iekārtai 2 stundas stāvēt vertikāli. Tas ir nepieciešams, lai eļļa, kas var būt ieplūdusi dzesēšanas sistēmā, varētu ieplūst atpakaļ kompresorā. (Tas pats attiecas arī uz dzesinātāju)

#### Svarīgi!

1. Šo gaisa kondicionieri var ērti pārvietot telpās. Pārvietojot kondicionieri, turiet to vertikāli. Gaisa kondicionieris jānovieto uz līmeniskas virsmas.

Šo gaisa kondicionētāju neuzstādiet un nedarbiniet vannas istabā vai citā mitrā vidē.

Tā kā pārnēsājamajam gaisa kondicionētājam ir riteni, tam var viegli mainīt novietojumu. Kad istaba sasilst, pārvietojiet pārnēsājamo gaisa kondicionieri uz istabu un varat ātri sākt telpas dzesēšanu.

Lai gaisa kondicionieris darbotos visefektīvāk, tas jāizmanto slēgtā telpā.

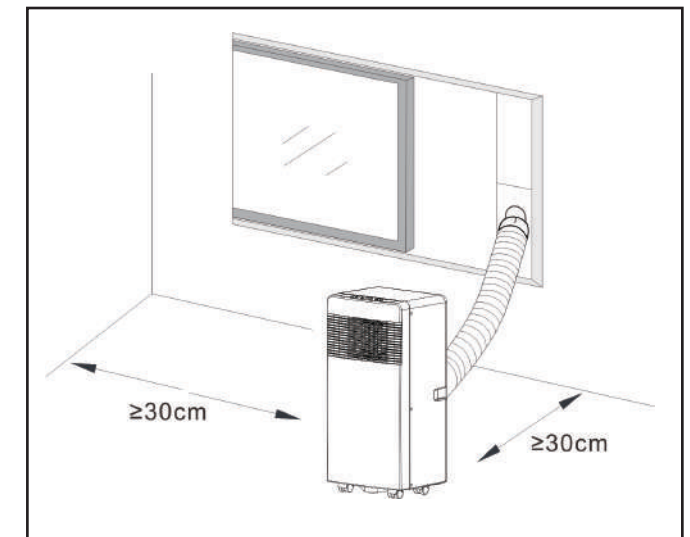
Aizveriet visas durvis, logus un pārējās telpas atveres.

Pat tad, ja telpā ir intensīva ventilācija vai lieli logi ar tiešu saules gaismu, tas var ietekmēt atdzesēšanas efektu.

2. Novietojiet gaisa kondicionētāju tur, kur netiek ierobežota gaisa plūsma ierīces priekšpusē.

3. Gaisa kondicionieris, kas darbojas telpā, ļoti maz vai pilnīgi nemaz nespēs nodrošināt žāvēšanu blakusesošās slēgtās uzglabāšanas zonās, piemēram, skapjos, ja vien šajā zonā nav atbilstošas gaisa cirkulācijas. Pārnēsājams gaisa kondicionētājs izvada siltumu no iekārtas ar ventilācijas šļūteni caur logu vai izplūdes gaisa vārstu.

4. Jānodrošina vismaz 30 cm attālums starp gaisa kondicionētāju un tuvāko priekšmetu. Atsaucei skatiet attēlu.





## IZSTRĀDĀJUMA APRAKSTS

### 3. Produkta apraksts

- |   |  |  |
|---|--|--|
| <b>A</b>  | <b>F</b>   | <b>J</b>   |
| 1. Izplūdes gaisa šļūtene   | 1. Filtra sieta tīrīšanas norādījumi.  | 1. Loga sliedes uzstādīšanas norādījumi<br>PIEZĪME! Šī loga sliede nav piemērota visu veidu logiem. Ja šī sliede nav piemērota, mēs iesakām izmantot Wood's logu blīvēšanas komplektu (preces numurs: wac_wk). |
| 2. Izplūdes gaisa šļūtenes savienojums ar gaisa kondicionieri         | <b>G</b>   | <b>K</b>   |
| 3. Izplūdes gaisa šļūtenes savienojums ar loga sliedi                 | 1.  POGA<br>Ieslēgšana/izslēgšana  | 1. Loga sliedes uzstādīšanas ieteikums   |
| 4. Tālvadības pults   | 2.  POGA<br>Nospiediet šo pogu, lai atlasītu darbības režīmu.                                  | <b>L</b>   |
| 5. Loga sliede  | 3.  POGA<br>Izmanto, lai secīgi atlasītu ventilatora ātrumu.                                   | 1. Iztukšošanas šļūtenes uzstādīšanas norādījumi (PIEZĪME! Šļūtene nav iekļauta komplektā. Uzgalis ir pielāgots 10 mm iekārtas šļūtenei)   |
| 6. Ūdens aizbāznis  | 4.  un  IESTATĪŠANAS POGAS<br>Izmanto, lai pielāgotu istabas temperatūru un taimeru.           |  |
| 7. Baterijas  | 5.  POGA<br>Izmanto, lai iestatītu vai atceltu  Režīma darbība.                                |  |
| 8. Ūdens caurule<br>Garums: 1 m<br>Diametrs: 10 mm                    | 6.  POGA<br>Izmanto, lai iestatītu automātiskās izslēgšanās un automātiskās ieslēgšanās laiku. |  |
| <b>B</b>  | 7.  POGA<br>Izmanto, lai iestatītu svārstību/pagriešanas funkciju.                             |  |
| 1. Izstrādājuma attēls no priekšpusē                                  | <b>H</b>   |  |
| <b>C</b>  | 1. Pagriežot ievietojiet abus izplūdes šļūtenes galus šļūtenes savienojumos, kā parādīts.      |  |
| 1. Vadības panelis  |  |  |
| 2. Aukstā gaisa izvads  |  |  |
| 3. Signāla uztvērējs  |  |  |
| 4. Tālvadības pults   |  |  |
| 5. Transportēšanas rokturis   |  |  |
| 6. Gaisa izplūdes šļūtene   |  |  |
| 7. Iztvaicētāja gaisa ieplūde   |  |  |
| 8. Drenāžas izvads  |  |  |
| <b>D</b>  |  |  |
| 1. Izstrādājuma attēls no augšas                                      |  |  |
| <b>E</b>  |  |  |
| 1.  Stundas/temperatūras paaugstināšana                               | <b>I</b>   |  |
| 2.  Stundas/temperatūras pazemināšana                                 | 1. Izplūdes gaisa šļūtenes uzstādīšanas norādījumi   |  |
| 3.   Automātiska dzesēšana, Apkure<br>Sausināšana, ventilatora režīms |  |  |
| 4.  Miega režīms un bērnu drošības atslēga                            |  |  |
| 5.  Svārstības/pagriešana   |  |  |
| 6.  Stundas   |  |  |
| 7.  Darbības režīms   |  |  |
| 8.  Ventilatora darbības ātrums (mazs/liels)                          |  |  |
| 9.  Barošanas poga (ieslēgts/izslēgts)                                |  |  |
| 10.  Izvēlēta ventilatora darbības ātruma gaismas indikators          |  |  |
| 11.  Darbības indikators (iedegas, kad iekārta darbojas)              |  |  |
| 12.  Miega režīma un bērnu drošības fiksatora gaismas indikators.     |  |  |
| 13.  Wi-Fi  |  |  |

## EKSPLUATĀCIJAS REŽĪMU FUNKCIJAS UN UZSTĀDĪŠANAS APRAKSTI

### A. Piederumi

Pēc izsaiņošanas pārbaudiet, vai ir iekļauti iepriekš minētie piederumi, kā arī skatiet informāciju par to izmantošanas mērķiem šīs rokasgrāmatas ievadā par uzstādīšanu. Piederums Nr. 6 jau ir uzstādīts iekārtas aizmugurē, apakšdaļā.

B. Pārvirojams gaisa kondicionieris  
G. Tālvadības pults izskats un darbība.  
Piezīmes. Nenometiet tālvadības pulti. Nenovietojiet tālvadības pulti tiešos saules staros.

A. Lietošanas ievadinformācija  
Pirms šajā nodaļā aprakstīto darbību uzsākšanas:

1) novietojiet gaisa kondicionieri vietā, kur varat piekļūt iezemētai elektrības kontaktligzdai;

2) uzstādiet izplūdes šļūteni un rūpīgi noregulējiet loga pozīciju;

3) barošanas kabeļa spraudni ievietojiet iezemētā maiņstrāvas 220~240 V/50 Hz kontaktligzdā;

4) nospiediet barošanas pogu, lai ieslēgtu gaisa kondicionieri.

H, I un K. Izplūdes gaisa šļūtenes uzstādīšana

M) Pagaidu uzstādīšana

1. Pagriežot ievietojiet abus izplūdes šļūtenes galus šļūtenes savienojumos.  
2. Ievietojiet kvadrātveida fiksējošo skavu gaisa izplūdes vietā iekārtas aizmugurē.  
3. Otru izplūdes šļūtenes galu novietojiet uz tuvākās palodzes.

J un K: Logu slīdņu komplekta uzstādīšana  
Logu slīdņu komplektu parasti uzstāda "horizontāli" un "vertikāli". Pirms uzstādīšanas noskaidrojiet loga minimālos un maksimālos izmērus, kā norādīts 5. un 5a. attēlos.

1. Uzstādiet loga komplektu uz loga.  
2. Noregulējiet logu slīdņu komplekta garumu atbilstoši loga platumam vai

augstumam un nofiksējiet ar tapu.

3. Iestipriniet šļūtenes kronšteinu loga sliedes atverē

O. Bridinājums par to, ka iekšējā tvertne pilna ar ūdeni  
Ūdens tvertnei iekārtas iekšpusē ir limeņa monitors, kas nosaka, kad tvertne ir pilna. Kad tvertne ir pilna, iekārta automātiski izslēdzas un displejā tiek parādīts kods E4. (Ja ūdens tvertne ir pilna, noņemiet gumijas aizbāzni iekārtas apakšā, lai izvadītu ūdeni.) Ieteicams ūdeni izliet grīdas notekā vai arī cepeškrāsns paliktnī.

**Filtra regulāra tīrīšana ir ļoti svarīga; pretējā gadījumā var samazināties gaisa kondicioniera jauda, un tas var tikt būtiski bojāts.**

kad tvertne ir pilna, noņemiet gumijas aizbāzni iekārtas lejasdaļā, un ūdens iztecēs.)

Kopšanas norādījumi un uzturēšanas skaidrojums:

1) Pirms tīrīšanas atvienojiet ierīci no jebkāda strāvas avota.

2) Ierīces tīrīšanai neizmantojiet benzīnu vai citus ķīmiskus līdzekļus.

3) Neļaujiet ūdenim nonākt tieši uz iekārtas

4) Ja iekārta ir bojāta, sazinieties ar izplatītāju

1. Gaisa filtrs

- Ja gaisa filtru nosprosto putekļi/netīrumi, tas jātīra ik pēc divām nedēļām.

- Demontāža

Atveriet gaisa ieplūdes režģi un izņemiet gaisa filtru.

- Tīrīšana

Notīriet gaisa filtru ar neitrālu tīrīšanas līdzekli remdenā ūdenī (40 °C) un ļaujiet tam nožūt ēnā.

- Montāža

Ievietojiet gaisa filtru ieplūdes režģī, uzstādiet komponentus vietās, kur tie bija iepriekš.

2. Tīriet virsmu ar neitrālu tīrīšanas līdzekli un mitru drānu, pēc tam nosusiniet ar sausu drānu.

E. Pirms lietošanas

Pārbaudiet, vai izplūdes šļūtene ir uzstādīta pareizi.

Bridinājumi par dzesēšanas un sausināšanas darbībām.

- Izmantojot dzesēšanas un sausināšanas funkcijas, pirms katras darbības aktivizēšanas ievērojiet vismaz 3 minūšu intervālu.

- Strāvas avots atbilst prasībām.

- Kontaktligzda ir maiņstrāvas.

- Nelietojiet to pašu kontaktligzdu citām ierīcēm.

- Strāvas padeve ir maiņstrāvas, 220-240 V, 50 Hz.

1. Ieslēdziet iekārta

a) Pieslēdziet, iekārta atskaņo vienu skaņas signālu, "O" ledegas barošanas indikators.

b) Nospiediet pogu ; iekārta ieslēdzas.

c) Gaismas diode norāda istabas temperatūru sadaļā Automātiskais režīms.

2. Dzesēšanas darbība/Apkures darbība  
- Turiet nospiektu pogu "Režīms", līdz paneli tiek parādīta sniegpārslīņas/saules ikona.

- Nospiediet pogu "+" vai "-", lai atlasītu vēlamu telpas temperatūru.

(15 °C -31 °C)

Nospiediet pogu "Ventilatora ātrums", lai izvēlētos gaisa plūsmas ātrumu.

3. Sausināšanas darbība

Spiediet pogu "Režīms", līdz parādās sausināšanas ikona.

- Automātiski iestatiet kā izvēlēto temperatūru tādu, kas par 2 °C zemāka nekā pašreizējā telpas temperatūra.

- Automātiski iestatiet zemu ventilatora motora ātrumu.

4. Ventilatora darbība

- Spiediet pogu "Režīms", līdz parādās ventilatora ikona.

Nospiediet pogu "Ventilatora ātrums", lai izvēlētos gaisa plūsmas ātrumu.

5. Taimera darbība

a) Kad iekārta darbojas, nospiediet pogu "Timer" (Taimeris), lai iestatītu automātiskās izslēgšanās laiku.

## EKSPLOATĀCIJAS REŽĪMU FUNKCIJAS UN UZSTĀDĪŠANAS APRAKSTI

b) Nospiediet taimera pogu, lai iekārta ieslēgtos plānotajā laikā.

c) Laiku var pielāgot 1–24 stundu diapazonā. Nospiediet temperatūras palielināšanas (+) vai temperatūras samazināšanas (-) pogu, lai palielinātu vai samazinātu laiku par vienu stundu, nospiežot vienreiz.

6. ☺ Darbība

a) ☺ darbība ir efektīva, ja iekārta ir ☼ režīmā.

b) Nospiediet pogu ☺ režīmā ☼, lai ieslēgtu miega režīmu. Miega režīmā ventilators darbojas ar mazu ātrumu. Iestatītā temperatūra pēc vienas stundas palielinās par 1 °C un pēc divām stundām temperatūra paaugstinās par 2 °C. Pēc 6 stundām iekārta izslēdzas. Ja temperatūra paaugstinās par vairāk nekā 2 °C virs iestatītās vērtības, iekārta sāk darboties pilnas jaudas režīmā.

7. ⚡ Svārstības/pagriešana

a) Ja ir aktivizēta svārstību/pagriešanas poga, pagriešanas lāpstiņa automātiski šūpojas augšup un lejup. Ja vēlaties apturēt, vēlreiz nospiediet pogu.

Apkope

Ja gaisa kondicionierim ir nepieciešama apkope, vispirms jāsazinās ar vietējo mazumtirgotāju. Visām garantijas prasībām ir nepieciešams pirkuma apliecinājums.

Uzglabāšanas instrukcijas

Sezonālās uzglabāšanas beigas

1) Ieteicams ūdeni izliet grīdas notekā vai arī cepešpannā. Noskrūvējiet drenāžas vāku un izvelciet aizbāzni, lai pilnībā izlaistu kondensāta ūdeni.

2) Turpiniet darbināt iekārtu ventilatora režīmā pusi dienas, lai pilnībā izžvētu

iekšpusi un novērstu pelējuma veidošanos.

3) Izslēdziet iekārtu, izvelciet kontaktspraudni un pēc tam aptiniet barošanas kabeli ap stieple tinuma statni, ievietojiet spraudni universālā stiprinājuma atverē iekārtas aizmugurējā panelī, ielieciet ūdens aizbāzni un iztukšošanas pārsegu.

4) Izņemiet siltuma izplūdes šļūtenes bloku, notīriet un pareizi to uzglabājiet. Piezīme. Iespiediet kronšteinus, Izņemšanas laikā izplūdes šļūtenes komplektu turiet ar abām rokām. Stiprinājumus ar īkšķiem paspiediet malu virzienā uz izplūdes gaisa izvadi, pēc tam izvelciet izplūdes šļūtenes montāžu.

5) Rūpīgi iepakojiet gaisa kondicionieri mīkstā plastmasas maisā, novietojiet to sausā vietā un attiecīgi aizsargājiet pret putekļiem. Turiet iekārtu bērniem nepieejamā vietā.

6) Izņemiet baterijas no tālvadības pults un pareizi uzglabājiet. Piezīme.

\* Nodrošiniet iekārtas uzglabāšanu sausā vietā.

Visi iekārtas piederumi ir jāuzglabā vienkopus un pienācīgi jāaizsargā.

\* Barošanas kabeļa turētājs un universālā kontaktligzda nodrošina barošanas kabeļa aizsardzību.

\* Novietojot gaisa izplūdes atveri augstu, tiek nodrošināta vienkārša uzstādīšana un ātra ventilācija.

\* Iekārtas pašiztvaikojošā dzesēšanas sistēma ir vieda, videi draudzīga un enerģiju taupoša.

\* Iekārtā ir 24 stundu taimera funkcija ar unikālu muzikālu ieslēgšanas/izslēgšanas signālu.

\* Kompresora aizsardzībai paredzēta 3 minūšu pārstāšanās aizkave.

### WiFi funkcija

#### 1. Lejupielādējiet un instalējiet LIETOTNI

Lejupielādējiet lietotni Woods Connect no App Store vai Google Play

1. Reģistrēties / pieteikties / aizmirsta parole

Reģistrēties  
Ja jums nav lietotnes konta, reģistrējiet kontu vai reģistrējieties ar īsziņā saņemto verifikācijas kodu. Šajā lapā ir aprakstīts reģistrācijas process.

2. Pieskarieties, lai atvērtu reģistrācijas lapu.

3. Sistēma automātiski atpazīst jūsu valsti/reģionu. Varat arī atlasīt savu valsts kodu. Ievadiet mobilā tālruņa numuru / e-pasta adresi un pieskarieties Tālāk.

4. Ja ievadījāt mobilā tālruņa numuru, ievadiet verifikācijas kodu no ziņojuma un paroli, pieskarieties Apstiprināt, lai pabeigtu reģistrāciju.

5. Ja ievadījāt e-pasta adresi, ievadiet paroli un pieskarieties Apstiprināt, lai pabeigtu reģistrāciju.

#### 2. Reģistrējieties ar lietotājvārdu un paroli vai verifikācijas kodu, izmantojot īsziņu

Reģistrējieties ar lietotājvārdu un paroli

1. Sistēma automātiski atpazīst jūsu valsti/reģionu. Varat arī atlasīt savu valsts kodu. Ievadiet mobilā tālruņa numuru / e-pasta adresi un pieskarieties Tālāk

2. Ievadiet savu reģistrēto mobilā tālruņa numuru vai e-pasta adresi un paroli, lai pieteiktos.

Pierakstieties ar verifikācijas kodu

1. Pieskarieties opcijai "Reģistrēties ar īsziņas verifikāciju" jaunā lapā.  
2. Sistēma automātiski atpazīst jūsu valsti/reģionu.  
Varat arī pats atlasīt savas valsts kodu.

Aizmirsta paroli

Ja aizmirsta parole, lūdzu, veiciet šīs procedūras:

1. Pieskarieties opcijai "Aizmirsta parole".

2. Sistēma automātiski atpazīst jūsu valsti/reģionu. Varat arī pats atlasīt savas valsts kodu. Ievadiet mobilā tālruņa numuru / e-pasta adresi un pieskarieties Tālāk.

3. Ievadiet verifikācijas kodu no ziņojuma/e-pasta ziņojuma, ievadiet jauno paroli un pieskarieties "Apstiprināt", lai pabeigtu.

Woods Connect atbalsta šādas funkcijas:

- Ieslēgšana/izslēgšana
- Dzesēšanas režīms
- Sausināšanas režīms
- Ventilatora režīms
- Eko režīms
- Temperatūras iestatījumi
- Ātrums: Liels un mazs
- Taimeris: 1-24 h
- Miega režīms: Ieslēgt/izslēgt
- Automātiska tīrīšana: Ieslēgt/izslēgt
- Pēc Celsija/Fārenheita
- Pagriešana: Ieslēgt/izslēgt

#### 3. Veiciet darbības LIETOTNĒ, lai izmantotu Wi-Fi funkcijas.

##### Smart Home

Ja jums ir izstrādājums ar Smart Home, veiciet 1. līdz 3. darbību.

Trešās personas piekļuves

pakalpojums: Pieskarieties trešās personas balss pakalpojuma ikonai, lai skatītu, kā izveidot savienojumu ar pakalpojumu.

Smart Home Woods Connect, izmantojot balss komandas, atbalsta šādas funkcijas:

Ieslēgšana/izslēgšana  
Temperatūras iestatījumi  
Režīma iestatījumi  
Ventilatora ātruma iestatījumi

Papildinformāciju skatiet šeit: <https://woods.se/en/>

PROBLĒMA	CĒLONIS	RISINĀJUMS
Iekārta neieslēdzas, nospiežot ieslēgšanas/izslēgšanas pogu	Nav pieslēgta / bojāta kontaktdakša vai kontaktligzda.	Pieslēdziet vai nomainiet barošanu vai kontaktligzdu.
	Izdedzis vai bojāts drošinātājs.	Nomainiet drošinātāju (3,15 A/250 AC).
	Telpas temperatūra ir zemāka par iestatīto temperatūru. (Dzesēšanas režīms)	Atiestatiet temperatūru.
Nav pietiekami vēss	Durvis vai logi nav aizvērti.	Pārlicinieties, vai visi logi un durvis ir aizvērti.
	Telpā ir siltuma avoti.	Ja iespējams, noņemiet siltuma avotus.
	Izplūdes gaisa šļūtene nav pievienota vai ir nosprostota.	Pievienojiet vai iztīriet gaisa izplūdes šļūteni.
	Temperatūras iestatījums ir pārāk liels.	Atiestatiet temperatūru.
	Gaisa ievads ir bloķēts.	Iztīriet gaisa ieplūdi.
Liels troksnis	Pamats nav līdzens vai pietiekami gluds.	Ja iespējams, novietojiet iekārtu uz līmeniskas un gludas pamatnes
	Ir dzirdama aukstumaģenta plūsma gaisa kondicionētāja iekšpusē	Tā ir normāla parādība.
Ja rodas pārvietojamā gaisa kondicioniera kļūmes, skatiet zemāk norādīto informāciju par problēmu novēršanu. Ja neviens no tālāk norādītajiem risinājumiem nenovērš problēmu, lūdzu, sazinieties ar mazumtirgotāju par gaisa kondicionētāja apkopi.		

Kļūdu kodi	CĒLONIS	RISINĀJUMS
E2 kods	Telpas temperatūras sensora kļūme vai bojājums.	Nomainiet telpas temperatūras sensoru.
E3 kods	Iztvaicētāja temperatūras sensora kļūme.	Nomainiet iztvaicētāja temperatūras sensoru.
E4 kods	Pilna ūdens tvertne.	Lūdzu, Iztukšojiet ūdens tvertni.

## Garantija

2 gadu lietotāja garantija pret ražošanas kļūmēm. Lūdzu, ņemiet vērā, ka garantija ir derīga, tikai uzrādot pirkuma čekus. Garantija ir spēkā tikai tad, ja ierīce tiek izmantota atbilstoši šajā rokasgrāmatā sniegtajiem norādījumiem un brīdinājumiem par drošību. Garantija neattiecas uz jebkādiem bojājumiem, kas radušies nepareizas rīcības dēļ ar ierīci.

**PIEZĪME.** 2 gadu garantija attiecas tikai uz lietošanu mājāsaimniecībās, nevis uz iekārtas komerciālu izmantošanu.



### PIEZĪME.

Reģistrējieties vietnē [www.warranty-woods.com](http://www.warranty-woods.com) un izlasiet, kā saņemt pagarināto garantiju. Lai saņemtu papildu informāciju, apmeklējiet vietni [www.woods.se](http://www.woods.se).

### Ieteicamie lietošanas ierobežojumi

Dzesēšanai piemērotākā darbības vides temperatūra ir 17–35 °C. Drošinātāja parametri: φ5,0×20 mm 3,15 A, 250 V AC.

## TEHNISKIE DATI

	AC Milan 7K Duo WiFi Smart Home	AC Milan 9K Duo WiFi Smart Home
Dzesēšanas jauda/Siltuma ražošana	2000 W/1500 W	2600 W/2000 W
Jaudas patēriņš	2000 W/1500 W	950 W/750 W
Gaisa plūsma:	350 m³/h	350 m³/h
Enerģijas klase	A	A
Sausināšana	19 L / 24 h	24 l/24 h
Temperatūras iestatījums	15-31 °C	15-31 °C
Darba temperatūra	16-43 °C	16-43 °C
EER	2,6	2,7
Gaisa izplūdes šļūtenes garums	1,5 m	1,5 m
Gaisa izplūdes šļūtenes caurules diametrs	155 mm	155 mm
Aukstumaģenta gāze	R290/100 g	R290/160 g
Skaņas līmenis decibelos	51 dB	51 dB
Svars	22.5 kg	24.5 kg
Izmēri (mm), G × Dz × A	355x350x700	355x350x700

\* Var tikt veiktas tehniskas izmaiņas un uzlabojumi. Visas vērtības ir aptuvenas un var atšķirties ārēju apstākļu, piemēram, temperatūras, ventilācijas un mitruma, ietekmē.



\* Šis marķējums norāda, ka ES valstīs šo izstrādājumu nedrīkst izmest sadzīves atkritumos. Lai novērstu nekontrolētas atkritumu izmešanas izraisīto iespējamo kaitējumu videi un cilvēku veselībai, utilizējiet produktu atbildīgi, lai veicinātu materiālu resursu ilgtspējīgu izmantošanu. Nododiet ierīci pārstrādei, izmantojot vietējos atgriešanas/savākšanas pakalpojumus, vai sazinieties ar izplatītāju, pie kura iegādājāties izstrādājumu. Mazumtirgotājs var nogādāt šo izstrādājuma uz videi drošu atkārtotu pārstrādi.



\* Izlietotās baterijas/akumulatorus nedrīkst izmest sadzīves atkritumos, jo tie var saturēt toksiskus elementus un smagos metālus, kas var būt kaitīgi videi un cilvēku veselībai. Izlietotās baterijas/akumulatorus nododiet atbilstošam pārstrādes uzņēmumam.

## ARIA INTERNA PULITA E SANA CON WOOD'S

Il marchio Wood's è nato con la famiglia Wood oltre 65 anni fa nella città canadese di Guelph, Ontario. È qui che Wood ha iniziato a sviluppare e produrre deumidificatori nel 1950. Da allora Wood's ha aiutato diverse centinaia di migliaia di famiglie a prevenire i danni causati dalle muffe e dall'umidità e a respirare un'aria più pulita. I nostri condizionatori d'aria portatili sono adatti per l'uso nella maggior parte dei contesti climatici e garantiscono buone prestazioni a diverse temperature e con diversi gradi di umidità. Vengono utilizzati con buoni risultati in ambienti che si riscaldano, come soggiorni, uffici o camere da letto. La quantità di aria calda rimossa dal condizionatore dipende dalla temperatura, dal livello di umidità e dal posizionamento. Anche le condizioni atmosferiche esterne possono influire sulle prestazioni del condizionatore d'aria.

I condizionatori d'aria Wood's sono sicuri e destinati all'uso continuo per molti anni.

## COME FUNZIONA L'UNITÀ DI CONDIZIONAMENTO DELL'ARIA?

La bassa pressione produce aria fredda. L'elemento principale del condizionatore d'aria è un refrigerante, che a bassa pressione viene convertito in gas. Il processo "crea freddo", che viene trasmesso verso l'interno mantenendo l'aria calda fuori. Un refrigerante liquido viene fatto passare attraverso una valvola d'espansione e in una tubazione dove la pressione è bassa. Il refrigerante evapora e si trasforma in gas. Il processo assorbe il calore dall'ambiente circostante e il tubo si raffredda. Un ventilatore soffia aria fredda nella stanza. Il gas passa attraverso un compressore, che ne aumenta la pressione e lo trasforma in liquido. In questo processo, il calore rilasciato viene portato ai tubi sul lato opposto e spinto fuori da una ventola. Quando l'aria interna è sufficientemente fredda, un termostato spegne l'unità.

## 1. AVVERTENZE DI SICUREZZA



Materiale infiammabile. Questo apparecchio contiene R290 (propano), un refrigerante infiammabile.



Fare riferimento al presente manuale per informazioni sulla sicurezza.



Leggere il manuale tecnico



Leggere il manuale degli operatori.

## INFORMAZIONI SULLA SICUREZZA

Prima dell'installazione e dell'uso dell'apparecchio, leggere attentamente le istruzioni fornite. Il produttore non è responsabile per lesioni e danni causati da un'installazione errata. Conservare sempre le istruzioni con l'apparecchio per poterle consultare in futuro.

## Sicurezza dei bambini e delle persone vulnerabili

### AVVERTENZA

Rischio di lesioni o invalidità permanente. L'apparecchio può essere utilizzato da bambini di età superiore agli 8 anni e da persone con ridotte capacità fisiche, sensoriali o mentali

o con mancanza di esperienza e conoscenza, a condizione che siano sottoposti a supervisione o abbiano ricevuto istruzioni sull'uso sicuro dell'apparecchio e ne comprendano i pericoli. Non lasciare che i bambini giochino con l'apparecchio.

Tenere lontani i bambini di età inferiore ai 3 anni, a meno che non siano continuamente sorvegliati. Tenere tutti gli imballi fuori dalla portata dei bambini. Le operazioni di pulizia e di manutenzione non devono essere effettuate da bambini senza sorveglianza.

## Sicurezza generale

Questo apparecchio è destinato all'uso in ambienti domestici e applicazioni simili quali: camere familiari, salotti, cucine per il personale nei negozi, uffici e altri ambienti di lavoro. La targhetta dei dati tecnici si trova sul lato o sul retro del condizionatore d'aria. Tenere le aperture di ventilazione libere da ostruzioni.

Per accelerare il processo di sbrinamento non utilizzare dispositivi meccanici o altri mezzi diversi da quelli raccomandati dal produttore. L'apparecchio non deve essere conservato in ambienti in cui siano presenti fonti di ignizione (esempio: fiamme libere, apparecchi a gas o riscaldatori elettrici in funzione). Non perforare o bruciare. Tenere presente che i refrigeranti possono essere inodori. Non

utilizzare acqua nebulizzata e vapore per pulire l'apparecchio. Pulire l'apparecchio con un panno morbido umido. Utilizzare solo detergenti neutri. Non utilizzare prodotti abrasivi, spugne abrasive, solventi o oggetti metallici. Se il cavo di alimentazione è danneggiato, la sostituzione deve essere effettuata dal produttore, dal suo centro di assistenza autorizzato o da persone altrettanto qualificate, al fine di evitare pericoli.

## ISTRUZIONI DI SICUREZZA

### Installazione

AVVERTENZA L'installazione di questo apparecchio deve essere effettuata solo da personale qualificato. Eliminare tutti gli imballaggi. Non installare né utilizzare l'apparecchio se danneggiato. L'apparecchio deve essere installato, utilizzato e immagazzinato in una stanza con una superficie maggiore di 4 m<sup>2</sup>-4,2 m<sup>2</sup> (7k), 7,7 m<sup>2</sup> (9K), 9,6 m<sup>2</sup> (12K). Attenersi alle istruzioni di installazione fornite con l'apparecchio. Prestare sempre attenzione quando si sposta l'apparecchio in quanto è pesante. Indossare sempre guanti di sicurezza. Tenere presente che i refrigeranti possono essere inodori.

Assicurarsi che l'aria possa circolare intorno all'apparecchio. Attendere almeno 4 ore prima di collegare l'apparecchio all'alimentatore. In questo modo

l'olio ritorna nel compressore. Non installare l'apparecchio vicino a radiatori o altre fonti di calore. Non installare l'apparecchio in presenza di luce solare diretta.

## Collegamento elettrico

### AVVERTENZA

Rischio di incendio e di scosse elettriche. L'apparecchio deve essere collegato a una presa con messa a terra. Assicurarsi che l'alimentazione corrisponda alle informazioni elettriche riportate sulla targhetta con i dati tecnici. In caso contrario, rivolgersi a un elettricista. Utilizzare sempre una presa antiurto correttamente installata. Non utilizzare adattatori multi-presa e prolunghe. Assicurarsi di non causare danni ai componenti elettrici (ad esempio spina di alimentazione, cavo di alimentazione). Per la sostituzione dei componenti elettrici, rivolgersi al centro di assistenza autorizzato o a un elettricista. Il cavo di alimentazione deve rimanere al di sotto del livello della spina. Collegare la spina alla presa di alimentazione solo al termine dell'installazione. Accertarsi che dopo l'installazione sia possibile accedere alla spina di alimentazione. Per scollegare l'apparecchio non tirare il cavo di alimentazione. Tirare sempre la spina.

## Uso

### AVVERTENZA

Rischio di lesioni, ustioni, scosse elettriche o incendi. Non modificare le specifiche di questo apparecchio.

Prestare attenzione a non danneggiare il circuito del refrigerante. Contiene propano (R290), un gas naturale con un alto livello di compatibilità ambientale. Questo gas è infiammabile.

In caso di danni al circuito del refrigerante, assicurarsi che non vi siano fiamme e fonti di ignizione nella stanza. Ventilare l'ambiente. Non collocare prodotti infiammabili o oggetti bagnati con prodotti infiammabili vicino o sopra l'apparecchio.

## Smaltimento

### AVVERTENZA

Rischio di lesioni. Scollegare l'apparecchio dall'alimentazione. Tagliare il cavo di alimentazione e smaltirlo. Il circuito del refrigerante di questo apparecchio è privo di ozono. Contattare le autorità locali per informazioni su come smaltire correttamente l'apparecchio. Non danneggiare la parte dell'unità di raffreddamento che si trova vicino allo scambiatore di calore.

## CONFIGURAZIONE DEL CONDIZIONATORE D'ARIA PER L'INSTALLAZIONE

### 2. Installazione

#### PRIMA DEL PRIMO UTILIZZO

Lasciare la macchina in posizione verticale per 2 ore prima dell'uso. In questo modo l'eventuale olio fuoriuscito nel sistema di raffreddamento può ritornare al compressore (come avverrebbe in un frigorifero).

#### Importante

1. Questo condizionatore d'aria può essere spostato comodamente all'interno. Mantenere l'unità in posizione verticale durante lo spostamento. Il condizionatore d'aria deve essere posizionato su una superficie piana.

Non installare o azionare questo condizionatore d'aria in bagno o in altri ambienti umidi.

Poiché il condizionatore d'aria portatile è dotato di ruote, è facile da spostare. Quando fa caldo, è sufficiente spostare il condizionatore portatile in una stanza per iniziare rapidamente a raffreddare l'ambiente.

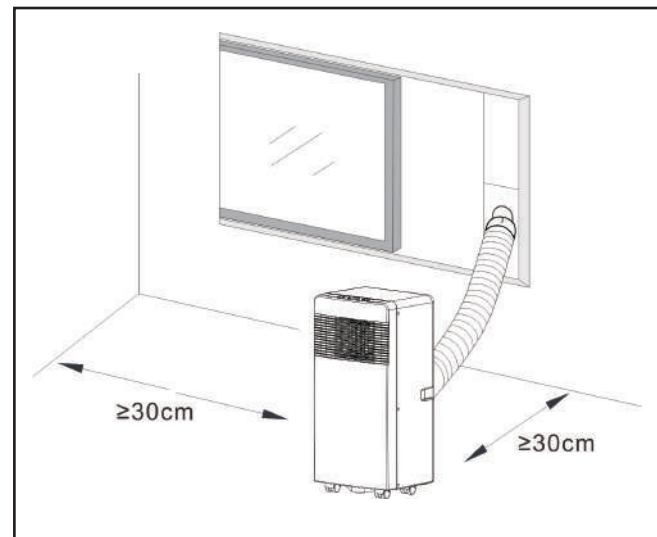
Il condizionatore d'aria deve essere utilizzato in un ambiente chiuso per essere più efficace.

Chiudere tutte le porte, le finestre e le altre aperture della stanza. Se l'ambiente è particolarmente ventilato o se vi sono ampie finestre con luce solare diretta, l'effetto di raffreddamento potrebbe essere influenzato.

2. Collocare il condizionatore d'aria in un punto che non limiti il flusso d'aria verso la parte anteriore dell'unità.

3. Un condizionatore d'aria in funzione all'interno di una stanza avrà poco o nessun effetto nell'asciugare uno spazio di stoccaggio adiacente chiuso, come un armadio, a meno che non vi sia un'adeguata circolazione dell'aria dentro e fuori da tale spazio. Un condizionatore d'aria portatile espelle il calore dall'unità mediante un tubo di ventilazione attraverso una finestra o una valvola di sfogo.

4. Tra il condizionatore d'aria e l'oggetto più vicino deve esserci una distanza minima di 30 cm. Vedere l'immagine come riferimento.



## DESCRIZIONE DEL PRODOTTO

### 3. Descrizione del prodotto

- |   |  |   |
|---|--|---|
| <p><b>A</b></p> <ol style="list-style-type: none"> <li>1. Tubo dell'aria di sfogo</li> <li>2. Raccordo per tubo dell'aria di scarico all'AC</li> <li>3. Raccordo per tubo dell'aria di scarico al binario della finestra</li> <li>4. Telecomando</li> <li>5. Binario per finestra</li> <li>6. Presa d'acqua</li> <li>7. Batterie</li> <li>8. Tubo<br/>Lunghezza: 1m<br/>Diametro: 10mm</li> </ol>   | <p><b>F</b></p> <ol style="list-style-type: none"> <li>1. Istruzioni per la pulizia dello schermo del filtro.</li> </ol> <p><b>G</b></p> <ol style="list-style-type: none"> <li>1.  PULSANTE Accensione/spengimento</li> <li>2.  PULSANTE Premere questo pulsante per selezionare la modalità di funzionamento.</li> <li>3.  PULSANTE Utilizzato per selezionare la velocità della ventola in sequenza.</li> <li>4.  PULSANTI DI IMPOSTAZIONE utilizzati per regolare la temperatura ambiente e il timer.</li> <li>5.  PULSANTE Utilizzato per impostare o annullare la modalità di funzionamento.</li> <li>6.  PULSANTE Utilizzato per impostare l'ora di spegnimento automatico e di accensione automatica.</li> <li>7.  PULSANTE Utilizzato per impostare la funzione di oscillazione/swing.</li> </ol> <p><b>H</b></p> <ol style="list-style-type: none"> <li>1. Girare le estremità del tubo di sfogo nei raccordi, come mostrato.</li> </ol> | <p><b>J</b></p> <ol style="list-style-type: none"> <li>1. Istruzioni per l'installazione del binario per finestra <b>NOTA!</b> Questo binario per finestra non è adatto per tutti i tipi di finestre. Consigliamo l'apposito kit per finestre Wood's (numero articolo: wac_wk) qualora il binario non fosse adatto.</li> </ol> <p><b>K</b></p> <ol style="list-style-type: none"> <li>1. Proposta di installazione del binario per finestra</li> </ol> <p><b>L</b></p> <ol style="list-style-type: none"> <li>1. Istruzioni per l'installazione del tubo di drenaggio (<b>NOTA!</b> Il tubo non è incluso. L'ugello è adatto per un tubo dispositivo da 10 mm)</li> </ol> |
| <p><b>B</b></p> <ol style="list-style-type: none"> <li>1. Vista frontale del prodotto</li> </ol> <p><b>C</b></p> <ol style="list-style-type: none"> <li>1. Pannello di controllo</li> <li>2. Presa d'aria fredda</li> <li>3. Recettore del segnale</li> <li>4. Telecomando</li> <li>5. Maniglia di trasporto</li> <li>6. Tubo di uscita dell'aria</li> <li>7. Presa d'aria dell'evaporatore</li> <li>8. Uscita di drenaggio</li> </ol> <p><b>D</b></p> <ol style="list-style-type: none"> <li>1. Vista dall'alto del prodotto</li> </ol> <p><b>E</b></p> <ol style="list-style-type: none"> <li>1.  Ore/ Temperatura su</li> <li>2.  Ore/ Temperatura giù</li> <li>3.  Automatico, Raffreddamento, Riscaldamento</li> <li>4.  Deumidificazione, Modalità ventola</li> <li>5.  Modalità notte e Blocco di sicurezza</li> <li>6.  Oscillazione/Swing</li> <li>7.  Ore</li> <li>7.  Modalità di funzionamento</li> <li>8.  Velocità ventola (bassa/alta)</li> <li>9.  Pulsante di accensione (acceso/spento)</li> <li>10.  Indicatore luminoso per la velocità della ventola selezionata</li> <li>11.  Spia di funzionamento (si accende quando la macchina è in funzione)</li> <li>12.  Indicatore luminoso per blocco di sicurezza e modalità notte.</li> <li>13.  WiFi</li> </ol> | <p><b>I</b></p> <ol style="list-style-type: none"> <li>1. Istruzioni per l'installazione del tubo dell'aria di scarico</li> </ol>  |   |

## FUNZIONE DELLE MODALITÀ DI FUNZIONAMENTO E DESCRIZIONI RELATIVE ALL'INSTALLAZIONE

### A. Accessori

Dopo aver estratto l'apparecchiatura dall'imballo, verificare che gli accessori di cui sopra siano inclusi e verificarne l'uso nell'introduzione all'installazione di questo manuale. L'accessorio n. 6 è già montato in fondo alla parte posteriore della macchina.

### B. Condizionatore portatile

G. Aspetto e funzione del telecomando.  
Note: non far cadere il telecomando. Non posizionare il telecomando in un luogo esposto alla luce solare diretta.

### A. Introduzione al funzionamento

Prima di dare inizio alle operazioni di questa sezione:

1) Collocare il condizionatore d'aria in un luogo con accesso ravvicinato a una presa elettrica con messa a terra.

2) Installare il tubo di sfiato e regolarlo bene in base alla posizione della finestra.

3) Inserire il cavo di alimentazione in una presa CA 220~240 V/50 Hz con messa a terra;

4) Premere il pulsante di accensione per avviare il condizionatore d'aria.

H, I e K. Installazione del tubo dell'aria di scarico

### M) Installazione temporanea

1. Ruotare entrambe le estremità del tubo di sfiato nei raccordi del tubo.

2. Inserire la clip di fissaggio quadrata nella presa d'aria sul retro della macchina.

3. Collocare l'altra estremità del tubo di sfiato accanto al davanzale della finestra.

J&K: Installazione del kit di scorrimento per finestre

La modalità di installazione del kit di scorrimento per finestre è per lo più in "orizzontale" e

"verticale". Come mostrato in Fig. 5 e Fig. 5a, controllare le dimensioni minime e massime della finestra prima dell'installazione.

1. Installare il kit sulla finestra;

2. Regolare la lunghezza del kit di scorrimento per finestre in base alla larghezza o all'altezza della finestra e fissarla con il tassello;

3. Fissare la staffa del tubo al foro nel binario della finestra

O. Funzione di allarme per serbatoio interno dell'acqua pieno

Il serbatoio dell'acqua all'interno della macchina è dotato di un monitor di livello che rileva quando il serbatoio è pieno. Quando il contenitore è pieno, la macchina si spegne automaticamente e sul display

**È molto importante che il filtro venga pulito regolarmente, altrimenti il condizionatore d'aria potrebbe perdere di capacità ed essere persino gravemente danneggiato.**

viene visualizzato il codice E4 (se il serbatoio dell'acqua è pieno, rimuovere il tappo in gomma nella parte inferiore dell'unità per scaricare l'acqua). Si consiglia di scaricare l'acqua in una piletta di scarico a pavimento o in alternativa in una teglia da forno. quando l'acqua è al livello massimo, rimuovere il blocco di gomma sul fondo dell'unità, tutta l'acqua verrà scaricata all'esterno.)

Istruzioni per pulizia e manutenzione:

1) Prima della pulizia, assicurarsi di scollegare l'unità da qualsiasi presa di alimentazione elettrica;

2) Non utilizzare benzina o altre sostanze chimiche per pulire l'unità;

3) Evitare di risciacquare l'acqua direttamente sull'unità

4) Se la macchina è danneggiata, contattare il rivenditore

1. Filtro dell'aria

- Se il filtro dell'aria si intasa di polvere/ sporco, pulirlo ogni due settimane.

- Smontaggio

Aprire la griglia di ingresso dell'aria e togliere il filtro.

### - Pulizia

Pulire il filtro dell'aria con un detergente neutro in acqua tiepida (40 °C) e lasciare asciugare all'ombra.

### - Montaggio

Mettere il filtro dell'aria sulla griglia di ingresso, riposizionare i componenti nella posizione originale.

2. Pulire la superficie con un detergente neutro e un panno umido, quindi asciugare con un panno asciutto.

### E. Prima dell'uso

Verificare che il tubo di sfiato sia stato montato correttamente.

Precauzioni per il raffreddamento e la deumidificazione:

- Quando si utilizzano funzioni di raffreddamento e deumidificazione, mantenere un intervallo di almeno 3 minuti tra un'accensione e l'altra ALIMENTAZIONE.

- L'alimentazione soddisfa i requisiti.

- La presa è per uso in CA.

- Non condividere la presa con altri elettrodomestici.

- L'alimentazione è CA 220-240 V, 50 Hz

1. Accendere l'unità

a) Collegare la spina: l'unità emette un suono acustico e la spia di alimentazione "O" si illumina.

b) Premere il pulsante "⏻" per accendere l'unità.

c) Il LED visualizza la temperatura ambiente e l'unità parte in modalità automatica.

### 2. Modalità riscaldamento/Funzionamento di riscaldamento

- Premere il pulsante "Modalità" finché non viene visualizzata l'icona del fiocco di neve/l'icone del sole sul pannello.

- Premere i pulsanti "⊕" o "⊖" per selezionare la temperatura ambiente desiderata. (15 °C -31 °C)

- Premere il pulsante "Velocità ventola" per selezionare la velocità della ventola.

3. Modalità deumidificazione  
Premere il pulsante "Modalità" finché non viene visualizzata l'icona "Deumidificazione".

- Impostare automaticamente la temperatura selezionata sulla temperatura

## FUNZIONE DELLE MODALITÀ DI FUNZIONAMENTO E DESCRIZIONI RELATIVE ALL'INSTALLAZIONE

ambiente corrente meno 2 °C.

- Impostare automaticamente il motore della ventola su BASSA velocità.

### 4. Modalità ventilatore

- Premere il pulsante "Modalità" finché non viene visualizzata l'icona "Ventola".  
- Premere il pulsante "Velocità ventola" per selezionare la velocità della ventola.

### 5. ⏻ Funzionamento del timer

a) Premere il pulsante "Timer" per impostare l'ora di spegnimento automatico mentre l'unità è in funzione.

b) Premere il pulsante del timer per un avvio programmato.

c) L'ora può essere regolabile in un intervallo da 1 a 24 ore. Premere i pulsanti temperatura su (⊕) o temperatura giù (⊖) per aumentare o diminuire il tempo di un'ora ad ogni pressione.

### 6. Funzionamento ☺

a) Il funzionamento ☺ è effettivo quanto l'unità è in modalità ☼.

b) Premere il pulsante ☺ in modalità ☼, per attivare la modalità notte. In modalità notte, la ventola funzionerà a bassa velocità. La temperatura impostata aumenta di 1 °C dopo un'ora e la temperatura aumenta di 2 °C dopo due ore. Dopo 6 ore, l'unità si spegne. Se la temperatura dovesse aumentare di oltre 2 °C al di sopra del valore impostato, la macchina si avvierà a pieno regime.

### 7. 🔄 Oscillazione / Swing

a) Quando il pulsante Oscillazione / Swing è attivato, la lamella oscillante si alza e si abbassa automaticamente. Per arrestarla, premere di nuovo il pulsante.

### Assistenza

Se il condizionatore d'aria richiede interventi di assistenza, contattare il rivenditore locale.

Per tutte le richieste di garanzia è necessario presentare la prova d'acquisto.

Istruzioni per lo stoccaggio

Stoccaggio di fine stagione

1) Si consiglia di scaricare l'acqua in una piletta di scarico a pavimento o in alternativa in una placca da forno. Svitare il coperchio dello scarico ed estrarre il tappo per drenare completamente l'acqua di condensa.

2) Mantenere l'unità in funzione in modalità ventilazione per mezza giornata al fine di asciugare completamente l'interno dell'unità ed evitare che ammuffisca.

3) Spegner l'unità, estrarre la spina, quindi avvolgere il cavo di alimentazione attorno al pilastro di avvolgimento, inserire la spina nel foro di montaggio universale sul pannello posteriore dell'unità, inserire il tappo dell'acqua e il coperchio dello scarico.

4) Rimuovere il gruppo tubo di sfiato calore, pulirlo e conservarlo correttamente.

Nota:

Spingere le staffe verso l'interno, Tenere il gruppo tubo di sfiato con entrambe le mani durante la rimozione. Spingere gli elementi di fissaggio da parte sulla presa d'aria di sfiato utilizzando i pollici, quindi estrarre il gruppo tubo di sfiato.

5) Imballare accuratamente il condizionatore all'interno di un sacchetto in plastica morbida, riporlo in un luogo asciutto e adottare le misure appropriate per proteggerlo dalla polvere. Tenere il dispositivo fuori dalla portata dei bambini.

6) Estrarre le batterie dal telecomando e conservarle correttamente.

Nota:

\*Assicurarsi che l'unità sia stoccata in un luogo asciutto. Tutti gli accessori del dispositivo devono essere conservati insieme

e adeguatamente protetti.

\* Il supporto del cavo di alimentazione e la presa universale forniscono protezione al cavo di alimentazione.

\* L'elevata posizione dell'uscita dell'aria di scarico offre un montaggio semplice e una rapida ventilazione.

\* Il sistema di raffreddamento ad evaporazione automatica dell'unità è intelligente, ecologico e a risparmio energetico.

\* Dispone di funzione timer 24 ore, con motivo musicale di accensione e spegnimento.

\* È prevista un'attesa di 3 minuti al riavvio del compressore a scopo di protezione.

## Funzione WiFi

### 1. Scarica e installa l'APP

Scarica l'app Woods Connect dall'App Store o Google Play

1. Registrati/Accedi/Password dimenticata

Registrati  
Se non disponi di un account App, registra un account o accedi con un codice di verifica tramite SMS. Questa pagina descrive la procedura di registrazione.

2. Tocca per accedere alla pagina di registrazione.

3. Il sistema riconosce automaticamente il tuo paese/area. Puoi inoltre selezionare il codice paese. Inserisci il numero di cellulare/l'e-mail e seleziona "Avanti".

4. Se inserisci il numero di cellulare, digita il codice di verifica nel messaggio, scrivi la password e seleziona "Conferma" per completare la registrazione.

5. Se inserisci l'e-mail, digita la password e seleziona "Conferma" per completare la registrazione.

### 2. Accedi con nome utente e password o il codice di verifica ricevuto tramite SMS

#### Accedi con nome utente e password

1. Il sistema riconosce automaticamente il tuo paese/area. Puoi inoltre selezionare il codice paese. Inserisci il numero di cellulare/l'e-mail e seleziona "Avanti".

2. Inserisci il numero di cellulare o l'e-mail utilizzati in fase di registrazione e la password per accedere.

#### Accedi con il codice di verifica

1. Seleziona "Accedi con verifica SMS" nella nuova pagina.  
2. Il sistema riconosce automaticamente il tuo paese/area. Puoi inoltre selezionare manualmente il codice paese.

#### Password dimenticata

Se hai dimenticato la password, segui queste procedure:

1. Seleziona "Password dimenticata".  
2. Il sistema riconosce automaticamente il tuo paese/area. Puoi inoltre selezionare manualmente il codice paese. Inserisci il numero di cellulare/l'e-mail e seleziona "Avanti".

3. Inserisci il codice di verifica contenuto nel messaggio/e-mail, digita la nuova password e seleziona "Conferma" per terminare.

#### Woods Connect supporta le seguenti funzioni:

- Accensione/Spegnimento
- Modalità raffreddamento
- Modalità deumidificazione
- Modalità ventilatore
- Modalità eco
- Impostazioni temperatura
- Velocità: bassa e alta
- Timer: 1-24 ore
- Notte: On/Off
- Pulizia automatica: On/Off
- Celsius/Fahrenheit
- Oscillazione: On/Off

### 3. Segui le procedure nell'APP per usufruire delle funzionalità WiFi.

#### Smart Home

Se hai un prodotto Smart Home, completa i passaggi da 1 a 3.

Servizio di accesso di terze

parti: Seleziona l'icona di un servizio vocale di terze parti per visualizzare le istruzioni di connessione al servizio.

Smart Home Woods Connect supporta le seguenti funzioni tramite comando vocale:

Accensione/Spegnimento  
Impostazioni temperatura  
Impostazioni modalità  
Impostazioni della velocità della ventola

Per maggiori informazioni:  
<https://woods.se/it/>

PROBLEMA	CAUSA	SOLUZIONE
L'unità non si avvia quando si preme il pulsante di accensione/spegnimento	Unità non collegata/Spina o presa danneggiata.	Collegare o sostituire l'alimentazione o la presa.
	Un fusibile è bruciato o rotto.	Sostituire il fusibile (3,15 A/250 CA).
	La temperatura ambiente è inferiore alla temperatura di impostazione. (Modalità raffreddamento)	Resettare la temperatura.
Raffreddamento insufficiente	Le porte o le finestre non sono chiuse.	Assicurarsi che tutte le finestre e le porte siano chiuse.
	Presenza di fonti di calore all'interno della stanza.	Rimuovere le fonti di calore, se possibile.
	Il tubo dell'aria di sfiato non è collegato o è ostruito.	Collegare o pulire il tubo dell'aria di sfiato.
	L'impostazione della temperatura è troppo alta.	Resettare la temperatura.
	La presa d'aria è bloccata.	Pulire la presa d'aria.
Rumorosità	Il pavimento non è in bolla o non abbastanza in piano.	Posizionare l'unità su una superficie in piano o in bolla
	Rumore proveniente dal flusso del refrigerante all'interno del condizionatore d'aria	Questo è normale.
In caso di problemi con il condizionatore d'aria portatile, fare riferimento alla sezione dedicata alla risoluzione dei problemi riportata di seguito. Se nulla di quanto segue funziona, contattare il rivenditore per la manutenzione del condizionatore d'aria.		

Codici di errore	CAUSA	SOLUZIONE
Codice E2	Sensore di temperatura ambiente guasto o danneggiato.	Sostituire il sensore di temperatura ambiente.
Codice E3	Sensore di temperatura dell'evaporatore guasto.	Sostituire il sensore di temperatura dell'evaporatore.
Codice E4	Serbatoio dell'acqua pieno.	Svuotare il serbatoio dell'acqua.

## Garanzie

Sul prodotto si applica una garanzia di 2 anni per difetti di produzione. La garanzia è valida solo previa esibizione della ricevuta. La garanzia è valida solo se il prodotto viene utilizzato seguendo le istruzioni e le avvertenze di sicurezza riportate in questo manuale. La garanzia non copre i danni causati da un uso improprio del prodotto.

**NOTA:** la garanzia di 2 anni si applica solo ai consumatori e non all'uso commerciale dell'unità.



### NOTA!

Registrarsi su [www.warranty-woods.com](http://www.warranty-woods.com) e leggere come ottenere una garanzia estesa. Visitare [www.woods.se](http://www.woods.se) per ulteriori informazioni.

### Limiti raccomandati per l'utilizzo

La migliore temperatura ambiente di esercizio per il raffreddamento è di 17-35 °C, Parametro fusibile:  $\varnothing$  5,0 x 20 mm 3,15 A, 250 Vca.

## DATI TECNICI

	AC Milan 7K Duo WiFi Smart Home	AC Milan 9K Duo WiFi Smart Home
Capacità frigorifera/Capacità di riscaldamento	2000 W/1500 W	2600 W/2000 W
Consumo di energia	750 W/600 W	950 W/750 W
Flusso d'aria:	350 m <sup>3</sup> /h	350 m <sup>3</sup> /h
Classe energetica	A	A
Deumidificazione	19 L / 24 h	24 L / 24 h
Impostazione della temperatura	15-31 °C	15-31 °C
Temperatura di esercizio	16-43 °C	16-43 °C
EER	2,6	2,7
Lunghezza del tubo di sfiato dell'aria	1,5 m	1,5 m
Diametro del tubo di sfiato dell'aria	155 mm	155 mm
Gas refrigerante	R290/100 g	R290/160g
Rumorosità in decibel	51 dB	51 dB
Peso	22.5 kg	24.5 kg
Dimensioni in mm, L x W x H	355x350x700	355x350x700

\*Modifiche e miglioramenti tecnici possono essere introdotti in qualsiasi momento. Tutti i valori sono approssimativi e possono variare a causa di circostanze esterne, come temperatura, ventilazione e umidità.



\*Questo marchio indica che il prodotto non deve essere smaltito con altri rifiuti domestici in tutta l'UE. Per evitare eventuali danni all'ambiente o alla salute causati da uno smaltimento non corretto dei rifiuti, riciclarli in modo responsabile per favorire il riutilizzo sostenibile delle risorse materiali. Per restituire il dispositivo, utilizzare i sistemi di restituzione e raccolta o contattare il rivenditore presso il quale è stato acquistato. Il rivenditore provvederà al suo riciclaggio sicuro, nel rispetto dell'ambiente.



\*Le batterie usate non devono essere smaltite con i rifiuti domestici, in quanto potrebbero contenere elementi tossici e metalli pesanti che possono essere dannosi per l'ambiente e la salute umana. Consegnare le batterie scariche in un centro di riciclaggio appropriato.



## ΠΡΟΪΟΝΤΑ WOOD'S ΓΙΑ ΚΑΘΑΡΟ ΚΑΙ ΥΓΙΕΙΝΟ ΑΕΡΑ ΕΣΩΤΕΡΙΚΩΝ ΧΩΡΩΝ

Η μάρκα Wood's γεννήθηκε με την οικογένεια Wood's πάνω από 65 χρόνια πριν στην Καναδική πόλη Guelph του Οντάριο. Στην πόλη αυτή, η Wood's ξεκίνησε την εξέλιξη και κατασκευή αφυγραντήρων το 1950. Έκτοτε η Wood's έχει βοηθήσει αρκετές εκατοντάδες χιλιάδες νοικοκυριά να αποτρέψουν προβλήματα λόγω μούχλας και υγρασίας και να αναπνεύσουν καθαρότερο αέρα. Τα φορητά μας κλιματιστικά είναι κατάλληλα για χρήση στα περισσότερα κλίματα, όπου η απόδοσή τους είναι καλή ακόμη και σε διαφορετικές θερμοκρασίες και επίπεδα υγρασίας. Χρησιμοποιούνται με καλά αποτελέσματα σε χώρους όπου αναπτύσσονται υψηλές θερμοκρασίες, όπως καθιστικά, γραφεία ή κρεβατοκάμαρες. Η ποσότητα του θερμού αέρα που αφαιρεί το κλιματιστικό εξαρτάται από τη θερμοκρασία, το επίπεδο της υγρασίας και την τοποθέτηση στο χώρο. Οι εξωτερικές καιρικές συνθήκες μπορεί επίσης να επηρεάσουν την απόδοση του κλιματιστικού.

Τα κλιματιστικά της Wood's προσφέρουν ασφαλή λειτουργία και προορίζονται για συνεχή χρήση για πολλά χρόνια.

## ΠΩΣ ΛΕΙΤΟΥΡΓΕΙ Η ΜΟΝΑΔΑ ΚΛΙΜΑΤΙΣΜΟΥ;

Η χαμηλή πίεση παράγει κρύο αέρα. Το κύριο στοιχείο του κλιματιστικού είναι ένα ψυκτικό μέσο, το οποίο υπό χαμηλή πίεση μετατρέπεται σε αέριο. Η διαδικασία «δημιουργεί κρύο», το οποίο μεταδίδεται προς τον εσωτερικό χώρο, κρατώντας τον ζεστό αέρα εκτός. Ένα υγρό ψυκτικό μέσο περνά μέσα από μια βαλβίδα διαστολής και οδηγείται σε ένα σωλήνα όπου η πίεση είναι χαμηλή. Το ψυκτικό μέσο εξατμίζεται και μετατρέπεται σε αέριο. Η διαδικασία απορροφά τη θερμότητα από το περιβάλλον και ο σωλήνας ψύχεται. Ένας ανεμιστήρας μεταφέρει τον κρύο αέρα στο χώρο. Το αέριο διέρχεται μέσω ενός συμπιεστή, που αυξάνει την πίεσή του και μετατρέπεται το αέριο σε υγρό. Σε αυτή τη διαδικασία, απελευθερώνεται θερμότητα, η οποία οδηγείται σε σωλήνες στην αντίθετη πλευρά και αποβάλλεται με τη βοήθεια ενός ανεμιστήρα. Ένας θερμοστάτης διακόπτει τη λειτουργία της μονάδας όταν ο αέρας του εσωτερικού χώρου είναι αρκετά κρύος.

## 1. ΠΡΟΕΙΔΟΠΟΙΗΣΕΙΣ ΑΣΦΑΛΕΙΑΣ



Εύφλεκτο υλικό. Αυτή η συσκευή περιέχει R290/προπάνιο, ένα εύφλεκτο ψυκτικό μέσο.



Ανατρέξτε σε αυτό το εγχειρίδιο για πληροφορίες σχετικά με την ασφάλεια.



Διαβάστε το τεχνικό εγχειρίδιο



Διαβάστε το εγχειρίδιο χειριστών.

## ΠΛΗΡΟΦΟΡΙΕΣ ΓΙΑ ΤΗΝ ΑΣΦΑΛΕΙΑ

Πριν από την εγκατάσταση και τη χρήση της συσκευής, διαβάστε προσεκτικά τις παρεχόμενες οδηγίες. Ο κατασκευαστής δεν ευθύνεται σε περίπτωση πρόκλησης τραυματισμού και ζημιών λόγω εσφαλμένης εγκατάστασης και χρήσης. Φυλάσσετε πάντα τις οδηγίες μαζί με τη συσκευή για μελλοντική παραπομπή.

## Ασφάλεια για τα παιδιά και τα εύαλωτα άτομα

### ΠΡΟΕΙΔΟΠΟΙΗΣΗ

Κίνδυνος τραυματισμού ή μόνιμης αναπηρίας.

Αυτή η συσκευή μπορεί να χρησιμοποιηθεί από παιδιά ηλικίας 8 ετών και άνω και άτομα με μειωμένη σωματική, αισθητηριακή ή

διανοητική ικανότητα ή με έλλειψη εμπειρίας και γνώσης, αν βρίσκονται υπό την επίβλεψη τρίτων, αν έχουν λάβει οδηγίες σχετικά με τη χρήση της συσκευής με ασφαλή τρόπο και έχουν κατανοήσει τους κινδύνους που σχετίζονται με τη χρήση της. Μην αφήνετε τα παιδιά να παίζουν με τη συσκευή.

Τα παιδιά ηλικίας κάτω των 3 ετών θα πρέπει να παραμένουν σε απόσταση, εκτός εάν εποπτεύονται συνεχώς.

Κρατήστε όλες τις συσκευασίες μακριά από τα παιδιά.

Ο καθαρισμός και η συντήρηση δεν θα πρέπει να γίνεται από παιδιά χωρίς επίβλεψη.

## Γενική ασφάλεια

Αυτή η συσκευή προορίζεται για χρήση σε οικιακές και παρόμοιες εφαρμογές, όπως: καθιστικά, σαλόνια, κουζίνες προσωπικού σε καταστήματα, γραφεία και άλλα περιβάλλοντα εργασίας. Η πινακίδα των τεχνικών χαρακτηριστικών βρίσκεται στο πίσω μέρος του κλιματιστικού.

Διατηρήστε καθαρά τα ανοίγματα εξαερισμού και χωρίς παρεμπόδιση.

Μην χρησιμοποιείτε μηχανικές συσκευές ή άλλα μέσα για να επιταχύνετε τη διαδικασία απόψυξης, εκτός από αυτά που συνιστώνται από τον κατασκευαστή. Η συσκευή δεν πρέπει να φυλάσσεται σε χώρους με πηγές ανάφλεξης σε λειτουργία (για παράδειγμα: ακάλυπτες φλόγες, συσκευές φυσικού αερίου σε λειτουργία ή ηλεκτρικές θερμάστρες σε λειτουργία). Μην τρυπήσετε και μην κάψετε τη συσκευή. Να γνωρίζετε ότι τα ψυκτικά

μέσα μπορεί να μην γίνουν αντιληπτά μέσω της οσμής. Μην χρησιμοποιείτε ψεκασθήρες νερού και ατμού για τον καθαρισμό της συσκευής. Καθαρίστε τη συσκευή με ένα υγρό μαλακό πανί. Χρησιμοποιείτε μόνο ουδέτερα απορρυπαντικά. Μην χρησιμοποιείτε διαβρωτικά προϊόντα, καθαριστικά σφουγγαράκια λείανσης, διαλύτες ή μεταλλικά αντικείμενα.

Εάν το καλώδιο τροφοδοσίας είναι κατεστραμμένο, πρέπει να αντικατασταθεί από τον κατασκευαστή, το εξουσιοδοτημένο κέντρο σέρβις του ή άτομα με παρόμοια εξειδίκευση, προκειμένου να αποφευχθεί κάποιος κίνδυνος.

## ΟΔΗΓΙΕΣ ΓΙΑ ΤΗΝ ΑΣΦΑΛΕΙΑ

### Εγκατάσταση ΠΡΟΕΙΔΟΠΟΙΗΣΗ

Η εγκατάσταση αυτής της συσκευής επιτρέπεται μόνο από ειδικευμένο άτομο.

Αφαιρέστε όλες τις συσκευασίες. Μην εγκαθιστάτε και μην χρησιμοποιείτε τυχόν κατεστραμμένες συσκευές. Η συσκευή πρέπει να εγκαθίσταται, να λειτουργεί και να φυλάσσεται σε χώρους με εμβαδόν μεγαλύτερο από 4 m<sup>2</sup> έως 4,2 m<sup>2</sup> (7k), 7,7 m<sup>2</sup> (9K), 9,6 m<sup>2</sup> (12K). Τηρήστε τις οδηγίες εγκατάστασης που παρέχονται με τη συσκευή.

Να είστε πάντα προσεκτικοί όταν μετακινείτε τη συσκευή επειδή είναι βαριά. Πάντα να φοράτε γάντια ασφαλείας. Να γνωρίζετε ότι τα ψυκτικά μέσα μπορεί να μην γίνουν αντιληπτά μέσω της οσμής.

Βεβαιωθείτε ότι ο αέρας μπορεί να κυκλοφορεί γύρω από τη συσκευή. Περιμένετε τουλάχιστον 4 ώρες

πριν συνδέσετε τη συσκευή στην τροφοδοσία ρεύματος. Αυτό πρέπει να τηρηθεί ώστε να επιστρέψει το λάδι στον συμπιεστή. Μην εγκαθιστάτε τη συσκευή κοντά σε θερμαντικά σώματα ή άλλες πηγές θερμότητας. Μην εγκαθιστάτε τη συσκευή σε μέρος άμεσα εκτεθειμένο στο ηλιακό φως.

### Ηλεκτρική σύνδεση

#### ΠΡΟΕΙΔΟΠΟΙΗΣΗ

Κίνδυνος πυρκαγιάς και ηλεκτροπληξία. Η συσκευή πρέπει να συνδέεται σε γειωμένη πρίζα. Βεβαιωθείτε ότι οι ηλεκτρολογικές πληροφορίες στην πινακίδα των τεχνικών χαρακτηριστικών συμφωνούν με την τροφοδοσία ρεύματος. Αν όχι, επικοινωνήστε με ηλεκτρολόγο.

Να χρησιμοποιείτε πάντα μια σωστά εγκατεστημένη αντικραδασμική πρίζα. Μην χρησιμοποιείτε πολύπριζα και καλώδια επέκτασης ή μπαλαντέζες. Φροντίστε να μην προκαλέσετε βλάβη στα ηλεκτρικά εξαρτήματα (π.χ. βύσμα τροφοδοσίας, καλώδιο τροφοδοσίας). Επικοινωνήστε με το εξουσιοδοτημένο κέντρο σέρβις ή έναν ηλεκτρολόγο για να αλλάξετε τα ηλεκτρικά εξαρτήματα.

Το καλώδιο τροφοδοσίας πρέπει να παραμείνει κάτω από το επίπεδο του βύσματος τροφοδοσίας. Συνδέστε το βύσμα τροφοδοσίας στην πρίζα τροφοδοσίας μόνο στο τέλος της εγκατάστασης. Βεβαιωθείτε ότι υπάρχει πρόσβαση στο βύσμα τροφοδοσίας μετά την εγκατάσταση. Μην τραβάτε το καλώδιο τροφοδοσίας για να αποσυνδέσετε

τη συσκευή. Πάντα να τραβάτε το βύσμα.

### Χρήση

#### ΠΡΟΕΙΔΟΠΟΙΗΣΗ

Κίνδυνος τραυματισμού, εγκαυμάτων, ηλεκτροπληξίας ή πυρκαγιάς. Μην αλλάζετε την προδιαγραφή αυτής της συσκευής.

Προσέξτε να μην προκαλέσετε βλάβη στο κύκλωμα του ψυκτικού μέσου. Περιέχει προπάνιο (R290), ένα φυσικό αέριο με υψηλό επίπεδο περιβαλλοντικής συμβατότητας. Το αέριο αυτό είναι εύφλεκτο.

Εάν προκληθεί ζημιά στο κύκλωμα του ψυκτικού μέσου, βεβαιωθείτε ότι δεν υπάρχουν φλόγες και άλλες πηγές ανάφλεξης στο χώρο. Αερίστε το χώρο. Μην βάζετε εύφλεκτα προϊόντα ή αντικείμενα που έχουν βραχεί με εύφλεκτα προϊόντα, κοντά ή πάνω στη συσκευή.

### Απόρριψη

#### ΠΡΟΕΙΔΟΠΟΙΗΣΗ

Κίνδυνος τραυματισμού. Αποσυνδέστε τη συσκευή από την τροφοδοσία ρεύματος. Κόψτε το καλώδιο ρεύματος και απορρίψτε το. Το κύκλωμα του ψυκτικού μέσου αυτής της συσκευής είναι φιλικό προς το όζον. Επικοινωνήστε με τη δημοτική αρχή για πληροφορίες σχετικά με τη σωστή απόρριψη της συσκευής. Μην προκαλείτε βλάβη στο τμήμα της ψυκτικής μονάδας που βρίσκεται κοντά στον εναλλάκτη θερμότητας.

## ΡΥΘΜΙΣΗ ΤΟΥ ΚΛΙΜΑΤΙΣΤΙΚΟΥ ΓΙΑ ΕΓΚΑΤΑΣΤΑΣΗ

### 2. Εγκατάσταση

ΠΡΙΝ ΑΠΟ ΤΗΝ ΠΡΩΤΗ ΧΡΗΣΗ

Αφήστε το μηχάνημα σε όρθια θέση για 2 ώρες πριν από τη χρήση. Αυτό πρέπει να γίνει ώστε το λάδι που μπορεί να έχει διαρρεύσει στο σύστημα ψύξης να μπορέσει να επιστρέψει στον συμπιεστή. (Το ίδιο που συμβαίνει και στα ψυγεία)

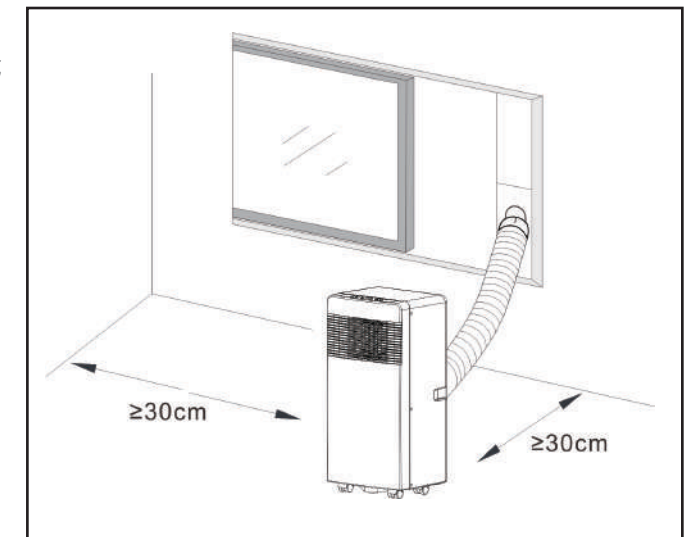
#### Σημαντικό

1. Το κλιματιστικό μπορεί να μετακινηθεί άνετα μέσα σε εσωτερικούς χώρους. Κρατήστε τη μονάδα σε όρθια θέση όσο τη μετακινείτε. Το κλιματιστικό πρέπει να τοποθετηθεί σε επίπεδη επιφάνεια. Μην εγκαταστήσετε ή μην λειτουργείτε αυτό το κλιματιστικό μέσα σε μπάνιο ή άλλο υγρό περιβάλλον. Δεδομένου ότι ένα φορητό κλιματιστικό στηρίζεται σε τροχούς, είναι εύκολο να του αλλάξετε θέσεις. Όταν επικρατεί ζέστη, απλώς μετακινήστε το φορητό κλιματιστικό στο δωμάτιο που επιθυμείτε και σύντομα ο χώρος θα αρχίσει να δροσίζεται. Το κλιματιστικό πρέπει να λειτουργεί σε κλειστό χώρο, για να είναι πιο αποτελεσματικό. Κλείστε όλες τις πόρτες, τα παράθυρα και άλλα ανοίγματα στο δωμάτιο. Ακόμα κι αν έχετε υψηλό αερισμό ή μεγάλα παράθυρα με άμεσο ηλιακό φως, μπορεί να επηρεαστεί το αποτέλεσμα της ψύξης.

2. Τοποθετήστε το κλιματιστικό σε μια θέση που δεν περιορίζει τη ροή αέρα στο μπροστινό μέρος της μονάδας.

3. Ένα κλιματιστικό που λειτουργεί σε ένα δωμάτιο θα έχει μικρή ή καμία επίδραση στην ξήρανση ενός παρακείμενου κλειστού χώρου αποθήκευσης, όπως μια ντουλάπα, εκτός αν υπάρχει επαρκής κυκλοφορία του αέρα μέσα και έξω από την περιοχή. Ένα φορητό κλιματιστικό εκκενώνει τη θερμότητα από τη μονάδα με τη βοήθεια ενός εύκαμπτου σωλήνα εξαερισμού διαμέσου ενός παραθύρου ή μιας βαλβίδας εξαγωγής αέρα.

4. Θα πρέπει να υπάρχει απόσταση τουλάχιστον 30 cm μεταξύ κλιματιστικού και πλησιέστερου αντικειμένου. Δείτε την εικόνα για αναφορά.



## ΠΕΡΙΓΡΑΦΗ ΠΡΟΪΟΝΤΟΣ

### 3. Περιγραφή προϊόντος

- |   |  |   |
|---|--|---|
| <p><b>A</b></p> <ol style="list-style-type: none"> <li>1. Σωλήνας εξόδου αέρα</li> <li>2. Σύνδεση για σωλήνα εξόδου αέρα στη μονάδα κλιματιστικού</li> <li>3. Σύνδεση για σωλήνα εξόδου αέρα στη ράγα παραθύρου</li> <li>4. Τηλεχειριστήριο</li> <li>5. Ράγα παραθύρου</li> <li>6. Πώμα νερού</li> <li>7. Μπαταρίες</li> <li>8. Σωλήνας νερού<br/>Μήκος: 1m<br/>Διάμετρος: 10mm</li> </ol> <p><b>B</b></p> <ol style="list-style-type: none"> <li>1. Μπροστινή εικόνα προϊόντος</li> </ol> <p><b>C</b></p> <ol style="list-style-type: none"> <li>1. Πίνακας ελέγχου</li> <li>2. Έξοδος ψυχρού αέρα</li> <li>3. Υποδοχέας σήματος</li> <li>4. Τηλεχειριστήριο</li> <li>5. Λαβή μεταφοράς</li> <li>6. Σωλήνας εξόδου αέρα</li> <li>7. Εισαγωγή αέρα εξατμιστήρα</li> <li>8. Έξοδος αποχέτευσης</li> </ol> <p><b>D</b></p> <ol style="list-style-type: none"> <li>1. Εικόνα επάνω μέρους προϊόντος</li> </ol> <p><b>E</b></p> <ol style="list-style-type: none"> <li>1.  Ωρες/ Αύξηση θερμοκρασίας</li> <li>2.  Ωρες/ Μείωση θερμοκρασίας</li> <li>3.    Αυτόματο, Ψύξη, Θέρμανση</li> <li>4.  Αφύγρανση, Λειτουργία ανεμιστήρα</li> <li>5.  Κατάσταση αναστολής λειτουργίας και κλείδωμα ασφαλείας</li> <li>6.  Ταλάντωση/Εναλλαγή</li> <li>7.  Ωρες</li> <li>8.  Κατάσταση λειτουργίας</li> <li>9.  Ταχύτητα ανεμιστήρα (χαμηλή, υψηλή)</li> <li>10.  Κουμπί λειτουργίας (ενεργοποίηση/απενεργοποίηση)</li> <li>11.  Ενδεικτική λυχνία για επιλεγμένη ταχύτητα ανεμιστήρα</li> <li>12.  Ένδειξη λειτουργίας (ανάβει όταν το μηχάνημα είναι σε λειτουργία)</li> <li>13.  Ενδεικτική λυχνία για κλείδωμα και λειτουργία ύπνου για παιδιά.</li> <li>14.  WiFi</li> </ol> | <p><b>F</b></p> <ol style="list-style-type: none"> <li>1. Οδηγίες καθαρισμού οθόνης φίλτρου.</li> </ol> <p><b>G</b></p> <ol style="list-style-type: none"> <li>1.  ΚΟΥΜΠΙ Ενεργοποίηση/ Απενεργοποίηση</li> <li>2.  ΚΟΥΜΠΙ Πατήστε αυτό το κουμπί για να επιλέξετε λειτουργία.</li> <li>3.  ΚΟΥΜΠΙ Χρησιμοποιείται για την επιλογή της ταχύτητας ανεμιστήρα διαδοχικά.</li> <li>4.  και  ΚΟΥΜΠΙΑ ΡΥΘΜΙΣΕΩΝ Χρησιμοποιούνται για τη ρύθμιση της θερμοκρασίας δωματίου και του χρονοδιακόπτη.</li> <li>5.  ΚΟΥΜΠΙ Χρησιμοποιείται για ρύθμιση ή ακύρωση  Λειτουργία λειτουργίας.</li> <li>6.  ΚΟΥΜΠΙ Χρησιμοποιείται για τη ρύθμιση του χρόνου αυτόματης απενεργοποίησης και αυτόματης ενεργοποίησης.</li> <li>7.  ΚΟΥΜΠΙ Χρησιμοποιείται για ρύθμιση της λειτουργίας ταλάντωσης / εναλλαγής.</li> </ol> <p><b>H</b></p> <ol style="list-style-type: none"> <li>1. Στρέψτε και τις δύο άκρες του σωλήνα εξαγωγής και τοποθετήστε τις μέσα στον σύνδεσμο του σωλήνα, όπως απεικονίζεται</li> </ol> <p><b>I</b></p> <ol style="list-style-type: none"> <li>1. Οδηγίες εγκατάστασης σωλήνα εξόδου αέρα</li> </ol> | <p><b>J</b></p> <ol style="list-style-type: none"> <li>1. Οδηγίες εγκατάστασης για ράγα παραθύρου ΣΗΜΕΙΩΣΗ! Αυτή η ράγα παραθύρου δεν είναι κατάλληλη για όλους τους τύπους παραθύρων. Συνιστούμε το κιτ στεγανοποίησης της Wood (αριθμός προϊόντος: wac_wk), εάν η ράγα δεν ταιριάζει.</li> </ol> <p><b>K</b></p> <ol style="list-style-type: none"> <li>1. Πρόταση εγκατάστασης ράγα παραθύρου</li> </ol> <p><b>L</b></p> <ol style="list-style-type: none"> <li>1. Οδηγίες εγκατάστασης σωλήνα αποστράγγισης (ΣΗΜΕΙΩΣΗ! Ο σωλήνας δεν περιλαμβάνεται. Το ακροφύσιο είναι προσαρμοσμένο για σωλήνα συσκευής 10 mm)</li> </ol> |
|---|--|---|

## ΧΕΙΡΙΣΜΟΣ ΤΩΝ ΤΡΟΠΩΝ ΛΕΙΤΟΥΡΓΙΑΣ ΚΑΙ ΠΕΡΙΓΡΑΦΗ ΕΓΚΑΤΑΣΤΑΣΗΣ

**A. Αξεσουάρ**  
Αφού ανοίξετε το πακέτο, παρακαλούμε να ελέγξετε αν τα εξαρτήματα που αναφέρονται παραπάνω περιλαμβάνονται στη συσκευασία και να ελέγξετε τις χρήσεις τους στην παρουσίαση εγκατάστασης του παρόντος εγχειριδίου. Το εξάρτημα με τον αριθμό 6 είναι ήδη τοποθετημένο στο κάτω μέρος του πίσω μέρους του μηχανήματος.

**B. Φορητή μονάδα κλιματισμού**  
**G. Εμφάνιση και λειτουργία τηλεχειριστηρίου.**

Σημειώσεις:- Μην ρίχνετε το τηλεχειριστήριο.- Μην τοποθετείτε το τηλεχειριστήριο σε μέρος που είναι άμεσα εκτεθειμένο στο ηλιακό φως.

**A. Παρουσίαση λειτουργίας**  
Πριν από την έναρξη των λειτουργιών αυτής της ενότητας:  
1) Τοποθετήστε το κλιματιστικό σε σημείο όπου έχετε άμεση πρόσβαση σε γειωμένη παροχή ηλεκτρικού ρεύματος.

2) Εγκαταστήστε το σωλήνα εξαγωγής και προσαρμόστε καλά τη θέση στο παράθυρο.

3) Εισαγάγετε το καλώδιο τροφοδοσίας σε γειωμένη πρίζα ρεύματος AC220 ~ 240V/50Hz.

4) πατήστε το κουμπί POWER [ΕΝΕΡΓΟΠΟΙΗΣΗ] για να ενεργοποιήσετε το κλιματιστικό.

H, I και K. Εγκατάσταση σωλήνα εξόδου αέρα

**M) Προσωρινή εγκατάσταση**  
1. Στρέψτε και τις δύο άκρες του σωλήνα εξαγωγής και τοποθετήστε τις μέσα στους συνδέσμους του σωλήνα.

2. Εισαγάγετε τον τετράγωνο συνδετήρα στερέωσης στην έξοδο αέρα, στο πίσω μέρος του μηχανήματος.

3. Τοποθετήστε το άλλο άκρο του σωλήνα εξαγωγής κοντά στο περβάζι του

παραθύρου.

J και K: Παρουσίαση του κιτ ολισθητήρα παραθύρου

Ο τρόπος εγκατάστασης του κιτ ολισθητήρα παραθύρου είναι συνήθως «οριζόντιος» και «κάθετος». Όπως φαίνεται στις Εικ. 5 και Εικ. 5α, ελέγξτε το ελάχιστο και το μέγιστο μέγεθος του παραθύρου πριν από την εγκατάσταση.

1. Εγκαταστήστε το κιτ στο παράθυρο.  
2. Ρυθμίστε το μήκος του ολισθητήρα του κιτ παραθύρου σύμφωνα με το πλάτος

**Είναι πολύ σημαντικό το φίλτρο να καθαρίζεται τακτικά, διαφορετικά το κλιματιστικό ενδέχεται να χάσει την ικανότητά του και να υποστεί σοβαρή βλάβη.**

ή το ύψος του παραθύρου, και να το διορθώσετε με τον πείρο.

3. Συνδέστε τον βραχίονα του σωλήνα στη ράγα του παραθύρου.

**O. Λειτουργία ειδοποίησης για πλήρη εσωτερική δεξαμενή νερού**  
Η δεξαμενή νερού μέσα στο μηχάνημα διαθέτει σύστημα παρακολούθησης στάθμης που ανιχνεύει πότε η δεξαμενή είναι γεμάτη. Όταν το δοχείο γεμίσει, το μηχάνημα απενεργοποιείται αυτόματα και ο κωδικός E4 εμφανίζεται στην οθόνη. (Εάν το δοχείο νερού είναι γεμάτο, αφαιρέστε το λαστιχένιο βύσμα στο κάτω μέρος της μονάδας για να στραγγίξει το νερό.) Σας συνιστούμε να στραγγίξετε το νερό πάνω από ένα σιφόνι ή εναλλακτικά ένα ταψί φούρνου. όταν έχει γεμίσει με νερό, αφαιρέστε το λαστιχένιο παρέμβυσμα στο κάτω μέρος της μονάδας και όλο το νερό θα αδειάσει.)

Οδηγίες φροντίδας και δήλωση συντήρησης:

1) Πριν από τον καθαρισμό βεβαιωθείτε ότι έχετε αποσυνδέσει τη μονάδα από την πρίζα.

2) Μην χρησιμοποιείτε βενζίνη ή άλλα

χημικά για να καθαρίσετε τη μονάδα.

3) Μην ρίχνετε νερό απευθείας πάνω στη μονάδα

4) Εάν το μηχάνημα είναι κατεστραμμένο, επικοινωνήστε με το κατάστημα λιανικής πώλησης

1. Το φίλτρο αέρα  
-Εάν το φίλτρο αέρα φράξει με σκόνη/ βρωμιά, το φίλτρο αέρα πρέπει να καθαρίζεται μία φορά κάθε δύο εβδομάδες.

-Μοντάρισμα  
Ανοίξτε τη γρίλια εισόδου αέρα και βγάλτε το φίλτρο αέρα.

-Καθαρισμός  
Καθαρίστε το φίλτρο αέρα με ουδέτερο απορρυπαντικό σε χλιαρό νερό (40 °C) και αφήστε το να στεγνώσει σε σκιερό μέρος.

-Τοποθέτηση  
Για να βάλετε το φίλτρο αέρα στη γρίλια εισαγωγής, επανατοποθετήστε τα εξαρτήματα όπως ήταν.

2. Καθαρίστε την επιφάνεια με ένα ουδέτερο απορρυπαντικό και ένα βρεγμένο πανί, και στη συνέχεια στεγνώστε τη με ένα στεγνό πανί.

**E. Πριν από τη χρήση**  
Ελέγξτε αν ο σωλήνας εξαγωγής έχει στερεωθεί σωστά.

Προφυλάξεις για την ψύξη και την αφυδάτωση των εργασιών:

-Όταν χρησιμοποιείτε λειτουργίες για την ψύξη και την αφυδάτωση, κρατήστε ένα διάστημα τουλάχιστον 3 λεπτά μεταξύ κάθε ΕΝΕΡΓΟΠΟΙΗΣΗ.

-Τροφοδοτικό πληροί τις απαιτήσεις.

-Η υποδοχή είναι για χρήση AC.

-Μην μοιράζεστε μία πρίζα με άλλες συσκευές.

-Η τροφοδοσία ηλεκτρικού ρεύματος είναι AC220-240V, 50Hz

1. Ενεργοποιήστε τη μονάδα  
α) Βάλτε τη μονάδα στην πρίζα. Θα παραχθεί ένας οξύς ήχος «**O**» και θα ανάψει η ενδεικτική λυχνία λειτουργίας.  
β) Πατήστε το κουμπί «**U**» και η μονάδα θα ενεργοποιηθεί.

γ) Η λυχνία LED εμφανίζει την Αυτόματη

## ΧΕΙΡΙΣΜΟΣ ΤΩΝ ΤΡΟΠΩΝ ΛΕΙΤΟΥΡΓΙΑΣ ΚΑΙ ΠΕΡΙΓΡΑΦΗ ΕΓΚΑΤΑΣΤΑΣΗΣ

λειτουργία για θερμοκρασία δωματίου και κάτω.

2. Λειτουργία ψύξης/Λειτουργία θέρμανσης  
- Πατήστε το κουμπί Mode [Λειτουργία] μέχρι να εμφανιστεί στην οθόνη το εικονίδιο χιονοφιλάδας/Εικονίδιο Ήλιου.

- Πατήστε το κουμπί **+** ή **-** για να επιλέξετε την επιθυμητή θερμοκρασία δωματίου. (15°C - 31°C)  
- Πατήστε το κουμπί «Fan Speed» (Ταχύτητα ανεμιστήρα) για να επιλέξετε την ταχύτητα του αέρα..

3. Αφυδάτωση της λειτουργίας  
- Πατήστε το κουμπί Mode [Λειτουργία] μέχρι να εμφανιστεί το εικονίδιο Dehumidify [Αφύγρανση].  
- Ρυθμίστε αυτόματα την επιλεγμένη θερμοκρασία στην τρέχουσα θερμοκρασία δωματίου μείον 2 °C.  
- Ρυθμίστε αυτόματα το μοτέρ του ανεμιστήρα στην ΧΑΜΗΛΗ ταχύτητα αέρα.

4. Λειτουργία ανεμιστήρων  
- Πατήστε το κουμπί «ΛΕΙΤΟΥΡΓΙΑ» μέχρι να εμφανιστεί το εικονίδιο «Ψύξη».  
- Πατήστε το κουμπί «Fan Speed» (Ταχύτητα ανεμιστήρα) για να επιλέξετε την ταχύτητα του αέρα..

5. ☺Λειτουργία χρονοδιακόπτη  
α) Πατήστε το κουμπί Timer [Χρονοδιακόπτης] για να ορίσετε την ώρα αυτόματης απενεργοποίησης ενώ η μονάδα είναι σε λειτουργία.

β) Πατήστε το κουμπί χρονοδιακόπτη για προγραμματισμό έναρξης λειτουργίας.

γ) Ο χρόνος μπορεί να προσαρμόζεται σε ένα εύρος τιμών από 1 έως 24 ώρες. Πατήστε το κουμπί αύξησης

θερμοκρασίας **+** ή μείωσης θερμοκρασίας **-**, για να αυξήσετε ή να μειώσετε το χρόνο κατά 1 ώρα ανά πάτημα.

6. ☺ Λειτουργία  
α) Η λειτουργία ☺ είναι ενεργή όταν η μονάδα βρίσκεται σε λειτουργία ☼.  
β) Πατήστε το κουμπί ☺ σε κατάσταση

λειτουργίας ☼, για ενεργοποίηση της κατάστασης αναστολής λειτουργίας. Σε κατάσταση αναστολής λειτουργίας, ο ανεμιστήρας θα λειτουργεί με χαμηλή ταχύτητα. Η ρυθμισμένη θερμοκρασία αυξάνεται κατά 1 °C μετά από μία ώρα και η θερμοκρασία αυξάνεται κατά 2 °C μετά από δύο ώρες. Μετά από 6 ώρες, η μονάδα απενεργοποιείται. Εάν η θερμοκρασία αυξηθεί περισσότερο από 2 °C πάνω από την καθορισμένη τιμή, το μηχάνημα θα ξεκινήσει σε πλήρη λειτουργία.

7. ☺ Ταλάντωση/Εναλλαγή  
α) Όταν ενεργοποιείται το κουμπί ταλάντωσης, το περιστρεφόμενο πτερύγιο ταλαντεύεται αυτόματα πάνω-κάτω. Αν θέλετε να το σταματήσετε, πατήστε ξανά το κουμπί.

Σέρβις  
Αν απαιτείται σέρβις το κλιματιστικό, πρέπει πρώτα να επικοινωνήσετε με το τοπικό σας κατάστημα λιανικής πώλησης. Για οποιαδήποτε αξίωση καταβολής εγγύησης απαιτείται η απόδειξη αγοράς.

Οδηγίες αποθήκευσης

Τέλος της περιόδου αποθήκευσης  
1) Σας συνιστούμε να στραγγίξετε το νερό πάνω από ένα σιφόνι ή εναλλακτικά ένα ταψί φούρνου. Βιδώστε την τάπα αποστράγγισης και τραβήξτε το πώμα για να στραγγίξει πλήρως το νερό συμπυκνώματος.

2) Διατηρήστε τη μονάδα σε λειτουργία ανεμιστήρα για μισή ημέρα ώστε να στεγνώσει εντελώς το εσωτερικό της μονάδας και να αποτρέψετε τη δημιουργία μούχλας.

3) Απενεργοποιήστε τη μονάδα, τραβήξτε το βύσμα και στη συνέχεια τυλίξτε το καλώδιο τροφοδοσίας γύρω από τον στύλσκο περιτύλιξης του καλωδίου, εισαγάγετε το βύσμα στην υποδοχή γενικής στερέωσης στο πίσω μέρος της μονάδας, τοποθετήστε το πώμα νερού και το κάλυμμα αποστράγγισης.

4) Αφαιρέστε το συγκρότημα του σωλήνα εξαγωγής της θερμότητας, καθαρίστε και φυλάξτε το με κατάλληλο τρόπο. Σημείωση: Ωθήστε τους βραχίονες, Κατά την αφαίρεση συγκρατήστε το συγκρότημα του εύκαμπτου σωλήνα εξαγωγής και με τα δύο χέρια. Ωθήστε τους συνδετήρες στην άκρη της εξόδου αέρα, χρησιμοποιώντας τους αντίχειρές σας και, στη συνέχεια, τραβήξτε προς τα έξω το συγκρότημα του σωλήνα εξόδου.

5) Συσκευάστε το κλιματιστικό προσεκτικά με μια μαλακή πλαστική σακούλα, τοποθετήστε το σε στεγνό μέρος και λάβετε τα κατάλληλα μέτρα για να το προστατέψετε από τη σκόνη. Κρατήστε τη συσκευή μακριά από παιδιά.

6) Αφαιρέστε τις μπαταρίες από το τηλεχειριστήριο και φυλάξτε τις σε κατάλληλο μέρος. Σημείωση:

\*Βεβαιωθείτε ότι η μονάδα αποθηκεύεται σε ξηρό μέρος.  
\*Όλα τα εξαρτήματα της συσκευής πρέπει να αποθηκεύονται μαζί και να προστατεύονται κατάλληλα.

\*Η βάση καλωδίου τροφοδοσίας και η υποδοχή γενικής χρήσης μπορούν να προστατεύσουν το καλώδιο τροφοδοσίας.

\*Η τοποθέτηση της εξόδου αέρα εξάτμισης σε ψηλό σημείο προσφέρει απλή συναρμολόγηση και γρήγορο αερισμό.

\*Το σύστημα ψύξης αυτόματης εξάτμισης της μονάδας είναι έξυπνο, φιλικό προς το περιβάλλον και εξοικονομεί ενέργεια.

\*Διαθέτει 24ωρη λειτουργία χρονοδιακόπτη, με μοναδικό μουσικό ήχο ενεργοποίησης/απενεργοποίησης.

\*Η επανεκκίνηση του συμπιεστή σε προστατευτική λειτουργία έχει περίπου 3 λεπτά καθυστέρηση.

### Λειτουργία WiFi

1. **Πραγματοποιήστε λήψη και εγκαταστήστε την εφαρμογή**  
Πραγματοποιήστε λήψη της εφαρμογής Woods Connect app από το App Store ή το Google Play

1. Εγγραφή / Είσοδος / Ξέχασα τον κωδικό πρόσβασης

Εγγραφή  
Εάν δεν έχετε έναν λογαριασμό στην εφαρμογή, δημιουργήστε έναν λογαριασμό ή πραγματοποιήστε είσοδο με έναν κωδικό επαλήθευσης, ο οποίος αποστέλλεται μέσω SMS. Αυτή η σελίδα περιγράφει τη διαδικασία εγγραφής.

2. Πατήστε για να εισέλθετε στη σελίδα εγγραφής

3. Το σύστημα αναγνωρίζει αυτόματα τη χώρα ή την τοποθεσία σας. Μπορείτε επίσης να επιλέξετε τον κωδικό της χώρας σας. Πληκτρολογήστε τον αριθμό κινητού τηλεφώνου / τη διεύθυνση E-mail και πατήστε «Επόμενο».

4. Εάν καταχωρήσετε αριθμό κινητού τηλεφώνου, βάλτε τον κωδικό επαλήθευσης που θα λάβετε με μήνυμα στο κινητό, μετά πληκτρολογήστε τον κωδικό πρόσβασης και πατήστε «Επιβεβαίωση» για να ολοκληρώσετε την εγγραφή σας.

5. Εάν καταχωρήσετε διεύθυνση E-mail, βάλτε τον κωδικό πρόσβασης και πατήστε «Επιβεβαίωση» για να ολοκληρώσετε την εγγραφή σας.

2. **Είσοδος με το όνομα χρήστη και τον κωδικό πρόσβασης ή τον κωδικό επαλήθευσης που λάβατε μέσω SMS**

**Συνδεθείτε με το όνομα χρήστη και**

**τον κωδικό πρόσβασης**

1. Το σύστημα αναγνωρίζει αυτόματα τη χώρα ή την τοποθεσία σας. Μπορείτε επίσης να επιλέξετε τον κωδικό της χώρας σας. Πληκτρολογήστε τον αριθμό κινητού τηλεφώνου / τη διεύθυνση E-mail και πατήστε «Επόμενο»

2. Εισαγάγετε τον καταχωρημένο αριθμό κινητού ή τη διεύθυνση E-mail και τον κωδικό πρόσβασης για να συνδεθείτε.

**Είσοδος με κωδικό επαλήθευσης**

1. Πατήστε «Είσοδος με επαλήθευση μέσω SMS» σε νέα σελίδα  
2. Το σύστημα αναγνωρίζει αυτόματα τη χώρα ή την τοποθεσία σας. Μπορείτε επίσης να επιλέξετε οι ίδιοι τον κωδικό της χώρας σας.

**Ξέχασα τον κωδικό πρόσβασης**  
Εάν ξεχάσατε τον κωδικό πρόσβασης σας, ακολουθήστε τα παρακάτω:  
1. Πατήστε «Ξέχασα τον κωδικό πρόσβασης».

2. Το σύστημα αναγνωρίζει αυτόματα τη χώρα ή την τοποθεσία σας. Μπορείτε επίσης να επιλέξετε οι ίδιοι τον κωδικό της χώρας σας. Πληκτρολογήστε τον αριθμό κινητού τηλεφώνου / τη διεύθυνση E-mail και πατήστε «Επόμενο».

3. Εισαγάγετε τον κωδικό επαλήθευσης που λάβατε στο μήνυμα / στη διεύθυνση E-mail και πληκτρολογήστε τον νέο κωδικό πρόσβασης. Πατήστε «Επιβεβαίωση» για να ολοκληρώσετε.

**Η σύνδεση Woods Connect υποστηρίζει τις παρακάτω λειτουργίες:**

- Ενεργοποίηση/Απενεργοποίηση
- Λειτουργία ψύξης
- Λειτουργία αφύγρανσης
- Λειτουργία ανεμιστήρα
- Λειτουργία Eco
- Ρυθμίσεις θερμοκρασίας

- Ταχύτητα: Χαμηλό και Υψηλό
- Χρονοδιακόπτης: 1 - 24 ώρες
- Ύπνου: On / Off
- Αυτόματος καθαρισμός: On / Off
- Κελσίου/Φαρενάιτ
- Ταλάντωση: On / Off

3. **Ακολουθήστε τις διαδικασίες στην εφαρμογή για να απολαύσετε τις δυνατότητες WiFi.**

### Smart Home

Εάν έχετε ένα προϊόν Smart Home, ολοκληρώστε τα βήματα 1 έως 3.

Υπηρεσία πρόσβασης άλλου κατασκευαστή: Πατήστε ένα εικονίδιο φωνητικής υπηρεσίας άλλου κατασκευαστή για να δείτε πώς μπορείτε να συνδεθείτε στην υπηρεσία.

Το Smart Home Woods Connect υποστηρίζει τις ακόλουθες λειτουργίες μέσω φωνητικής εντολής:

**Ενεργοποίηση / Απενεργοποίηση Ρυθμίσεις θερμοκρασίας Ρυθμίσεις λειτουργίας Ρυθμίσεις ταχύτητας ανεμιστήρα**

Για περισσότερες πληροφορίες επισκεφτείτε την ηλεκτρονική διεύθυνση:  
<https://woods.se/en/>

ΠΡΟΒΛΗΜΑ	ΑΙΤΙΑ	ΑΝΤΙΜΕΤΩΠΙΣΗ
Η μονάδα δεν ξεκινά όταν πατάτε το κουμπί ενεργοποίησης/ απενεργοποίησης	Δεν είναι συνδεδεμένη / Βύσμα ή υποδοχή κατεστραμμένα.	Συνδέστε στο ρεύμα ή την υποδοχή ή αντικαταστήστε το βύσμα ή την υποδοχή.
	Κάποια ασφάλεια είναι καμένη ή σπασμένη.	Αντικαταστήστε την ασφάλεια (3,15A/250AC).
	Η θερμοκρασία δωματίου είναι χαμηλότερη από τη θερμοκρασία ρύθμισης. (Λειτουργία ψύξης)	Ρυθμίστε ξανά τη θερμοκρασία.
Δεν είναι αρκετά δροσερά	Οι πόρτες ή τα παράθυρα δεν είναι κλειστά.	Βεβαιωθείτε ότι όλα τα παράθυρα και οι πόρτες είναι κλειστά.
	Υπάρχουν πηγές θερμότητας μέσα στο δωμάτιο.	Απομακρύνετε τις πηγές θερμότητας, αν είναι δυνατόν
	Ο εύκαμπτος σωλήνας εξόδου αέρα δεν συνδέεται ή εμποδίζεται.	Συνδέστε ή καθαρίστε τον σωλήνα εξόδου αέρα.
	Η ρύθμιση της θερμοκρασίας είναι πολύ υψηλή.	Ρυθμίστε ξανά τη θερμοκρασία.
	Η είσοδος του αέρα είναι μπλοκαρισμένη.	Καθαρίστε την είσοδο αέρα.
Υψηλό επίπεδο θορύβου	Το δάπεδο δεν είναι επίπεδο ή δεν είναι αρκετά επίπεδο.	Τοποθετήστε τη μονάδα σε επίπεδο, ομαλό δάπεδο, αν γίνεται
	Ο ήχος προέρχεται από τη ροή της ψυκτικής ουσίας μέσα στο κλιματιστικό	Είναι φυσιολογικό.
Εάν αντιμετωπίζετε προβλήματα με το φορητό κλιματιστικό σας, ανατρέξτε παρακάτω, στην ενότητα αντιμετώπισης προβλημάτων. Αν καμία ενέργεια από τις παρακάτω δεν έχει αποτέλεσμα, επικοινωνήστε με το κατάστημα λιανικής πώλησης για σέρβις του κλιματιστικού σας.		

Κωδικοί σφάλματος	ΑΙΤΙΑ	ΑΝΤΙΜΕΤΩΠΙΣΗ
Κωδικός E2	Αποτυχία ή βλάβη αισθητήρα θερμοκρασίας δωματίου	Αντικαταστήστε τον αισθητήρα θερμοκρασίας δωματίου.
Κωδικός E3	Αποτυχία αισθητήρα θερμοκρασίας εξατμιστήρα.	Αντικαταστήστε τον αισθητήρα θερμοκρασίας εξατμιστήρα.
Κωδικός E4	Δεξαμενή νερού πλήρης.	Εκκενώστε τη δεξαμενή νερού.

## Εγγυήσεις

2 έτη εγγύηση προϊόντος για βλάβες που οφείλονται στην παραγωγή. Σημειώστε ότι η εγγύηση ισχύει μόνο με την επίδειξη της απόδειξης αγοράς. Η εγγύηση ισχύει μόνο εάν το προϊόν χρησιμοποιείται σύμφωνα με τις οδηγίες και τις προειδοποιήσεις ασφαλείας που αναφέρονται ρητά στο παρόν εγχειρίδιο. Η εγγύηση δεν καλύπτει ζημιές που προκαλούνται από ακατάλληλο χειρισμό του προϊόντος.

**ΣΗΜΕΙΩΣΗ:** Η 2ετής εγγύηση ισχύει μόνο για τους καταναλωτές και όχι για εμπορική χρήση της μονάδας.



### ΣΗΜΕΙΩΣΗ!

Εγγραφείτε στον ιστότοπο [www.warranty-woods.com](http://www.warranty-woods.com) και διαβάστε σχετικά με το πώς μπορείτε να αποκτήσετε την εκτεταμένη εγγύηση. Επισκεφτείτε την ηλεκτρονική διεύθυνση [woods.se](http://woods.se) για περισσότερες πληροφορίες.

### Συνιστώμενα όρια χρήσης

Η καλύτερη θερμοκρασία περιβάλλοντος για τη λειτουργία ψύξης είναι 17-35 °C, Παράμετρος ασφάλειας: φ5,0x20mm 3.15A, 250Vac.

## ΤΕΧΝΙΚΑ ΧΑΡΑΚΤΗΡΙΣΤΙΚΑ

	AC Milan 7K Duo WiFi Smart Home	AC Milan 9K Duo WiFi Smart Home
Ψυκτική ικανότητα/θερμική ικανότητα	2000 W/1500 W	2600 W/2000 W
Κατανάλωση ισχύος	750 W/600 W	950 W/750 W
Ροή αέρα:	350 m³/h	350 m³/h
Ενεργειακή κλάση	A	A
Αφύγραση	19 L / 24h	24 L / 24h
Ρύθμιση θερμοκρασίας	15-31°C	15-31°C
Θερμοκρασία λειτουργίας	16-43°C	16-43°C
Βαθμός Ενεργειακής Απόδοσης (EER)	2,6	2,7
Μήκος σωλήνα εξόδου αέρα	1,5 m	1,5 m
Διάμετρος σωλήνα εξόδου αέρα	155 mm	155 mm
Ψυκτικό μέσο	R290/100g	R290/160g
Στάθμη θορύβου σε ντεσιμπέλ	51dB	51dB
Βάρος	22.5 kg	24.5 kg
Διαστάσεις σε χιλιοστά, Μ x Π x Υ	355x350x700	355x350x700

\*Ενδέχεται να προκύψουν τεχνικές αλλαγές και βελτιώσεις. Όλες οι τιμές είναι κατά προσέγγιση και ενδέχεται να ποικίλουν λόγω εξωτερικών συνθηκών, όπως η θερμοκρασία, ο εξαερισμός και η υγρασία.



\*Η σήμανση αυτή υποδεικνύει ότι το προϊόν αυτό δεν πρέπει να απορρίπτεται με άλλα οικιακά απόβλητα σε ολόκληρη την Ε.Ε. Για αποφυγή πιθανής βλάβης του περιβάλλοντος ή της ανθρώπινης υγείας από την ανεξέλεγκτη διάθεση αποβλήτων, ανακυκλώστε τη συσκευή με υπευθυνότητα για την προώθηση της βιώσιμης επαναχρησιμοποίησης των υλικών πόρων. Για να μας επιστρέψετε τη συσκευή σας, παρακαλούμε χρησιμοποιήστε τα συστήματα επιστροφής και συλλογής ή επικοινωνήστε με το κατάστημα λιανικής πώλησης όπου αγοράσατε το προϊόν. Μπορούν να παραλάβουν αυτό το προϊόν για περιβαλλοντικά ασφαλή ανακύκλωση.



\*Οι χρησιμοποιημένες μπαταρίες δεν πρέπει να απορρίπτονται μαζί με τα σκουπίδια του σπιτιού, καθώς ενδέχεται να περιέχουν τοξικά στοιχεία και βαρέα μέταλλα που μπορεί να είναι επιβλαβή για το περιβάλλον και την ανθρώπινη υγεία. Πηγαίνετε τις άδειες μπαταρίες σε μια κατάλληλη εγκατάσταση ανακύκλωσης.

## WOOD'S FYRIR HREINT OG HEILBRIGT INNAHÚSSLOFT

Vörumerkið Wood fæddist með Wood-fjölskyldunni fyrir rúmum 65 árum í kanadíska borginni Guelph, Ontario. Þar hóf Wood's að þróa og framleiða rakaeyða árið 1950. Síðan þá hefur Wood aðstoðað nokkur hundruð þúsund heimila við að koma í veg fyrir skemmdir vegna myglu og anda að sér hreinu lofti. Færanlegi loftkælirinn okkar er hentugur til notkunar í flestum tegundum loftslags, þar sem afkastageta hans er mikil, einnig við mismunandi hita- og rakastig. Þeir eru notaðir með góðum árangri á stöðum þar sem raki er, s.s. í dagstofum, skrifstofum og svefnherbergjum. Það magn heits lofta sem loftkælirinn fjarlægir fer eftir hitastigi, rakastigi og staðsetningu tækisins. Ytri veðurskilyrði geta einnig haft áhrif á afköst loftkælisins.

Loftkælarnir frá Wood eru öruggir í notkun og endast árum saman við stöðuga notkun.

## HVERNIG VINNUR LOFTKÆLINGARBÚNAÐUR?

Lágur þrýstingur framleiðir kalt loft. Aðal búnaður loftkælisins er kælivökvi sem undir lágum þrýstingi er breytt í gas. Ferlið „býr til kulda“, sem er sendur inn samtímis sem að heitu lofti er haldið úti. Fljótandi kælivökvi fer í gegnum þensulventil og í rör þar sem þrýstingur er lágur.

Kælivökvinn gufar upp og verður að gasi. Ferlið sagnar að sér hita frá umhverfinu og rörið kælist.


Viftur blása köldu loftinu inn í herbergið. Gasið fer í gegnum pressu sem eykur þrýstinginn og breytir gasinu í vökva. Í þessu ferli, er hita sleppt út, hann leiddur í rör yfir í gagnstæða hlið og síða er hann blásinn út með viftu.

Hitastillir slekkur á tækinu þegar innanhússhitinn hefur kólnað nægilega.

## 1. ÖRYGGISVIÐVARANIR



Eldfim efni. Þetta tæki inniheldur R290/própan sem er eldfimt kæliefni.

 Skoðu þessar leiðbeiningar varðandi öryggisupplýsingar.

 Lesið tæknihandbók

 Lesið notkunarhandbók.

### ÖRYGGISUPPLÝSINGAR

Áður en þú setur upp tækið og byrjar að nota það skaltu lesa meðfylgjandi leiðbeiningar vandlega. Framleiðandi er ekki ábyrgur ef röng uppsetning og notkun valda meiðslum og tjóni. Geymdu leiðbeiningarnar með tækinu til að geta skoðað þær.

### Öryggi barna og viðkvæmra

#### VIÐVÖRUN

Hætta á meiðslum eða varanlegri fötlun.

Börn 8 ára og eldri og einstaklingar með skerta líkamlega getu, skynjun eða andlega getu, eða skort á reynslu og þekkingu geta notað þetta tæki undir eftirliti eða eftir að hafa fengið leiðbeiningar varðandi notkun tækisins á öruggan hátt og ef þau gera sér grein fyrir þeirri áhættu sem því fylgir.

Leyfið ekki börnum að leika sér með tækið.

Börnum yngri en 3 ára skal haldið frá tækinu nema undir stöðugu eftirliti.

Geymið allar umbúðir fjarri börnum.

Börn skulu ekki annast hreinsun og viðhald án umsjónar.

### Almennt öryggi

Þetta tæki er ætlað til nota á heimilum og álíka stöðum: baðherbergjum, starfsmannaeldhúsum, skrifstofum og öðru starfsumhverfi. Flokkunarplatan er staðsett aftan á eða á hlið loftkælisins. Haldið aðskotahlutum fjarri loftopum.

Notið ekki vélbúnað eða aðrar aðferðir til að hraða afíngingu en þær sem framleiðandi mælir með. Ekki skal geyma tækið í herbergi þar sem neistagjafar eru í gangi (opnir logar, gastæki eða rafmagnshitarar). Gatið ekki eða brennið.

Hafið í huga að kæliefni geta verið lyktarlaus. Notið ekki vatnsúða eða gufu til að hreinsa tækið. Hreinsið tækið með rökum mjúkum klút. Notið aðeins hlutlaus hreinsiefni. Notið ekki slípivörur, slípiefnasvampa, leysiefni eða málmhluti.

Ef rafmagnssnúran er skemmd þarf að skipta um hana hjá framleiðanda, viðurkenndum viðgerðaraðila eða sambærilegum aðila til að forðast að hættulegar aðstæður skapist.

## ÖRYGGISLEIÐBEININGAR

### Uppsetning VIÐVÖRUN

Aðeins hæfur aðili skal annast uppsetningu tækisins. Fjarlægjið allar umbúðir. Setjið ekki upp eða notið skemmt tæki. Tækið skal ekki setja upp, nota og geyma í herbergi sem er með stærri gólfhlötu en 4 m<sup>2</sup> til 4,2 m<sup>2</sup> (7k), 7,7 m<sup>2</sup> (9K), 9,6 m<sup>2</sup> (12K). Fylgja skal þeim leiðbeiningum um uppsetningu sem fylgja tækinu. Sýnið ávallt aðgát þegar tækið er fært því það er þungt. Klæðist ávallt öryggishönskum. Hafið í huga að kæliefni geta verið lyktarlaus.

Gangið úr skugga um að loft leiki óhindrað umhverfis tækið. Biðið í að minnsta kosti 4 klukkustundir áður en tækið er tengt við rafmagn. Þetta er til að leyfa olíunni að renna til baka í pressuna. Setjið ekki tækið nálægt ofnum eða öðrum hitagjöfum. Staðsetjið ekki tækið í beint sólskin.

### Rafmagnstenging

#### VIÐVÖRUN

Hætta á bruna og raflosti. Tækið skal tengja við jarðtengda innstungu. Gangið úr skugga um að rafmagnsupplýsingarnar á flokkunarkerkinu séu í samræmi við orkugjafann. Ef ekki, skal hafa samband við rafvirkja. Notið ávallt rétt uppsetta höggþétta innstungu. Notið ekki fjöltengi og

framlengingarsnúður. Gætið þess að valda ekki skemmdum á rafíhlutum (t.d. tengjum, snúrum). Hafið samband við viðurkennda þjónustumiðstöð eða rafvirkja til að skipta um rafíhluti. Snúran verður að vera fyrir neðan innstunguna/klóna. Tengjið ekki klóna við innstunguna fyrr en uppsetningu er lokið. Gangið úr skugga um að hægt sé að komast að klónni eftir uppsetningu. Dragið ekki í rafmagnssnúruna til að aftengja tækið. Togaðu alltaf í klóna sjálfa.

### Notkun

#### VIÐVÖRUN

Hætta á meiðslum, bruna, raflosti eða eldsvoða. Breytið ekki eiginleikum tækisins.

Gætið þess að valda ekki skemmdum á kælihringrásinni. Hún inniheldur própan (R290), náttúrulegt gas með háa umhverfissamhæfni. Þetta gas er eldfimt.

Ef skemmdir eiga sér stað í kælihringrásinni skal ganga úr skugga um að engir logar eða og neistagjafar séu í herberginu. Loftræstið herbergið. Setjið ekki eldfimar vörur eða vörur sem eru bleyttar með eldfimnum efnum nálægt tækinu eða ofan á það.

### Förgun

#### VIÐVÖRUN

Hætta á meiðslum. Takið tækið úr sambandi.

Klippið rafmagnssnúruna af og fleygið henni. Kælihringrásin í þessu tæki er ósónvæn. Hafið samband við viðkomandi aðila í þínu landi til að fá upplýsingar um hvernig þú fargar tækinu á réttan hátt. Valdið ekki skemmdum á þeim hluta kælieiningarinnar sem er nálægt hitaskiptinum.

## FYRSTA UPPSETNING LOFTKÆLIS

### 2. Uppsetning

FYRIR FYRSTU NOTKUN

Látið tækið standa upprétt í 2 klst fyrir notkun. Þetta er til að olía sem kann að hafa lekið inn í kælikerfið geti flætt aftur í pressuna. (Það sama og fyrir ísskáp)

#### Mikilvægt

1. Auðvelt er að færa til þennan loftkæli innandyra. Hafið tækið í uppréttri stöðu þegar það er fært. Staðsetja skal loftkælinn á sléttu yfirborði.

Ekki skal setja tækið upp eða nota það í baðherbergi eða öðru blautu umhverfi.

Þar sem að færanlegi loftkælirinn er á hjólum er auðvelt að færa hann. Þegar hitinn hækkar er færanlegi loftkælirinn einfaldlega settur inn í herbergið og getur um leið farið að kæla niður rýmið. Loftkælinn skal nota í lokuðu rými til þess að afköstin verði sem best.

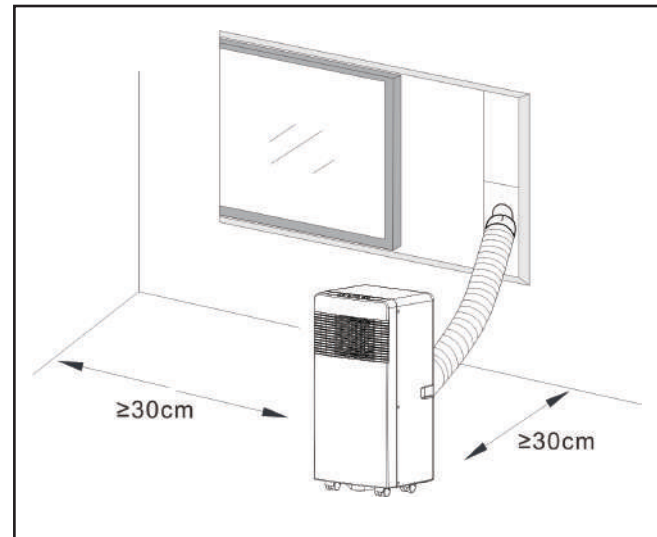
Lokið öllum hurðum, gluggum og öðrum utanaðkomandi loftopum herbergisins.

Jafnvel þótt þú sért með mikla loftræstingu eða stóra glugga með beinu sólarljósi getur það haft áhrif á kælingu.

2. Staðsetja skal loftkælinn þannig að loftflæðið inn um framhlið tækisins sé óhindrað.

3. Loftkælir sem starfar í herbergi mun hafa lítil eða engin áhrif á þurrkun í aðliggjandi lokuðu geymslusvæði, svo sem skáp, nema fullnægjandi dreifing loftis sé til staðar inn og út af svæðinu. Færanlegur loftkælir flytur hitann frá tækinu með loftbarka út um glugga eða loftræstiop.

4. Halda skal a.m.k. 30 cm fjarlægð milli loftkælisins og nærliggjandi hluta. Sjá mynd til viðmiðunar.



## VÖRULÝSING

### 3. Vörulýsing

A

1. Útblástursbarki
2. Tenging fyrir útblástursbarka til kælisins
3. Tenging fyrir útblástursbarka við gluggafestingu
4. Fjarstýring
5. Gluggafesting
6. Vatnstappi
7. Rafhlöður
8. Vatnsrör  
Lengd: 1m  
Þvermál: 10mm

B

1. Mynd af framhlið tækisins

C

1. Stjórnborð
2. Úttak fyrir kalt loft
3. Merkismóttakari
4. Fjarstýring
5. Flutningshandfang
6. Loftúttaksbarki
7. Loftinntak fyrir eimi
8. Afrennslisúttak

D

1. Myndir af topp tækisins

E

1. + Klukkustundir/Hitastig upp
2. - Klukkustundir/Hitastig niður
3. AUTO Sjúlfvirkni, Kæling, Upphitun  
Rakaeyðing, Viftuhamur
4. ☺ Svefnstilling og barnalæsing
5. ↻ Sveifla
6. ⌚ Klukkustundir
7. 📶 Notkunarhamur
8. 🌬 Viftuhraði (lágur/hár)
9. ⏻ Aðalrofi (á/af)
10. 🌙 Gaumljós fyrir valinn viftuhraða
11. ⦿ Gaumljós fyrir starfsemi (logar þegar tækið er í notkun)
12. ☺ Gaumljós fyrir barnalæsing og svefnstillingu.
13. 📶 WiFi

F

1. Leiðbeiningar um hreinsun síugrills.

G

1. ⏻ HNAPPUR  
Straumur á/af
2. ☺ HNAPPUR  
Ýttu á þennan hnapp til að velja aðgerðarham.
3. 🌬 HNAPPUR  
Notaður til að velja hraðastig fyrir viftu.
4. ⏪ og ⏩ STILLINGARHNAPPAR  
notaðir til að stilla herbergishita og tímastilli.
5. ☺ HNAPPUR  
Notaður til að stilla eða hætta við ☺ Hamsaðgerð.
6. ⌚ HNAPPUR  
Notaður til að stilla sjálfvirkan tíma fyrir AF og Á.
7. 📶 HNAPPUR  
Notaður til að stilla sveifluvirgni.

H

1. Skrúfaðu enda útblástursbarkans í tengingarnar eins og sýnt er.

I

1. Uppsetningarleiðbeiningar fyrir útblástursbarka

J

1. Uppsetningarleiðbeiningar fyrir gluggafestingu ATH! Þessi gluggafesting hentar ekki öllum gerðum glugga. Við mælum með gluggapétibúnaði Wood's (vörunn: wac\_wk) ef þessi gluggafesting passar ekki.

K

1. Tillaga um uppsetningu gluggafestingar

L

1. Uppsetningarleiðbeiningar fyrir afrennslisöngu (ATH! Slangan er ekki innifalin. Stúturinn er lagaður að 10mm tækisslöngu)

## LÝSING Á AÐGERÐARHÖMUM OG UPPSETNINGU

A. Aukabúnaður  
Eftir uppþökkun skal athuga hvort ofangreindir fylgihlutir séu innifaldir og athuga tilgang þeirra í uppsetningarkynningunni í þessari handbók. Aukabúnaður nr. 6 er þegar festur neðst á bakhlið tækisins.

B. Flytjanlegur loftkælir G. Útlit og virkni fjarstýringar.  
Athugið: -látið ekki fjarstýringuna detta.- Staðsetjið ekki fjarstýringuna í beint sólskin.

M. Kynning á notkun  
Áður en aðgerðir eru hafnar í þessum hluta:  
1) Settu loftkælinn á stað þar sem þú hefur nálægan aðgang að jarðtengdri rafmagnsstungu.

2) Setjið útblástursbarkann upp og staðsetjið hann tryggilega í glugganum.

3) Setjið rafmagnssnúruna í jarðtengda AC220~240V/50Hz innstungu;

4) Ýtið á POWER-hnappinn til að kveikja á loftkælinum.

H, I og K. Uppsetning útblástursbarka

M) Uppsetning til bráðabirgða  
1. Snúið báða enda útblástursbarkans inn í barkatengið.  
2. Settu ferköntuðu festismelluna inn í loftúttakið aftan á tækinu  
3. Setjið hinn enda útblástursbarkans á nálæga gluggakistu.

J&K: Uppsetning á gluggarennusetti  
Uppsetningarháttur gluggarennusetsins er að mestu í „lárétt“ og „lóðrétt“. Eins og sýnt er á mynd 5 og mynd 5a, athugið lágm. og hálm. stærð gluggans fyrir uppsetningu.  
1. Setjið upp gluggarennusettið í gluggann;  
2. Stillið lengd gluggarennusetsins í samræmi við gluggabreidd eða hæð, og festið það með stýringunni;

3. Festu barkafestinguna við gatið á gluggafestingunni

O. Innri tankur "Tankur fullur" Viðvörðun Vatnstankurinn inni í tækinu er með hæðarskynjara sem greinir þegar tankurinn er fullur. Þegar tankurinn er fullur slekkur tækið sjálfkrafa á sér og kóðinn E4 birtist á skjánum. (Ef vatnstankurinn er fullur, vinsamlegast fjarlægðu gúmmítappann neðst á tækinu til að tæma hann.) Við mælum með að þú tæmir vatnið yfir niðurfalli í gólfi, eða að öðrum kosti með bökunarplötu.

**Það er mjög mikilvægt að hreinsa síuna reglulega; annars getur dregið úr afkastagetu loftkælisins og hann jafnvel skemmt alvarlega.**

Þegar vatnstankurinn er fullur, skaltu fjarlægja gúmmítappann úr afrennslisgatinu neðst á tækinu, og tæma það.

Leiðbeiningar um umönnun og viðhaldsýrilynging:  
1) Gangið úr skugga um að tækið sé aftengt frá öllu rafmagni áður en þrif eru framkvæmd;  
2) Notið ekki bensín eða önnur efni til að þrifa tækið;  
3) Forðastu að þvo tækið beint með vatni

4) Ef tækið er skemmt, vinsamlegast hafðu samband við söluaðila þinn  
1. Loftsían  
-Ef loftsían stíflast með ryki/óhreinindum, skal hreinsa loftsíu á tveggja vikna fresti.  
-Sundurtekning  
Opnið loftinntaksgrillið og takið loftsíuna úr.  
-Þrif  
Hreinsið loftsíuna með hlutlausu volgu þvottaefni ( 40°C ) og látið hana þorna í skugga.  
-Uppsetning  
Setjið loftsíuna aftur inn í loftinntaksgrillið og setjið hlutina á sinn stað.

2. Hreinsaðu yfirborðið með hlutlausu þvottaefni og blautum klút og þurrkaðu það síðan með þurrum klút.  
E. Fyrir notkun  
Gakktu úr skugga um að útblástursbarkinn sé rétt uppsettur.  
Varúð fyrir kælingu og rakeyðingaraðgerðir:  
-Þegar kæling og rakaeyðing er notuð skal hafa að minnsta kosti 3 mínútur á milli STRAUMUR.  
-Aflgjafi uppfyllir kröfur.  
-Innstungan er fyrir AC-notkun.  
-Deilið ekki einni innstungu með öðrum tækjum.  
-Aflgjafi er AC220-240V, 50Hz  
1. Kveikt á tækinu  
a) Stingdu í samband, þá pípir tækið einu sinni, „O“ Kveikt er á orkugaumljósinu.  
b) Ýttu á hnappinn „U“, þá kviknar á tækinu.  
c) Ljósdióðan sýnir herbergishita og sjálfvirkan ham.

2. Kæling/Hitunaraðgerð  
-Ýtið á hnappinn „Mode“ þar til snjókorns-táknið/Skltákmynd birtist á borðinu.  
-Ýtið á hnappinn „+“ eða „-“ til að velja æskilegan herbergishita. (15°C -31°C )  
-Ýtið á hnappinn „Fan Speed“ (Viftuhraði) til að kveikja á blásturshraða.  
-Ýtið á hnappinn „Mode“ þangað til „Dehumidify“-táknið birtist.  
-Stillið sjálfkrafa valið hitastig við núverandi stofuhita, mínus 2°C.  
-Stillið sjálfkrafa viftumótor á LÁGAN blásturshraða.  
4. Vifta  
-Ýtið á „Mode“-takkann þangað til „Fan“-táknið birtist.  
-Ýtið á hnappinn „Fan Speed“ (Viftuhraði) til að velja blásturshraða.

5. ☺ Tímastilling  
a) Ýttu á hnappinn „Timer“ (Tímastillir) til að stilla tíma fyrir sjálfvirkt AF á meðan tækið er í gangi.  
b) Ýttu á tímahnappinn fyrir áætlaða ræsingu.

## LÝSING Á AÐGERÐARHÖMUM OG UPPSETNINGU

c) Hægt er að stilla tímann á bilinu 1 klukkustund til 24 klst. Ýttu á hitastigið

upp (+) eða hitastigið niður (-)-hnappinn til að auka eða minnka tímann um eina klukkustund með því að ýta einu sinni á.

6. ☺ Aðgerð  
a) Aðgerðin ☺ er virk þegar tækið er í hamnum ☼.  
b) Ýttu á hnappinn ☺ í hamnum ☼ til að virkja svefnstillingu. Í svefnstillingu, snýst viftan á litlum hraða. Stilltur hiti hækkar um 1 °C eftir eina klukkustund og hitastigið hækkar um 2°C eftir tvær klukkustundir. Eftir 6 klst slekkur tækið á sér. Ef hitastigið fer meira en 2 °C yfir stillta gildið mun tækið hefja fulla starfsemi.

7. ☞ Sveifla  
a) Þegar sveifluhnappurinn er virkjaður sveiflast sveifluspjaldið upp og niður sjálfkrafa. Ef þú vilt stöðva skaltu ýta aftur á hnappinn.

Þjónusta  
Ef loftkælirinn þarfnast þjónustu skal fyrst hafa samband við söluaðila.  
Sönnunar fyrir kaupum er krafist fyrir allar ábyrgðarkröfur.

Geymsluleiðbeiningar

Geymsla við lok árstíða  
1) Við mælum með að þú tæmir vatnið yfir niðurfalli í gólfi, eða að öðrum kosti með bökunarplötu. Skrófið frárennslislokið af og takið vatnstappann úr til að tæma þéttivatn að fullu.

2) Hafði tækið í viftuhamnum í hálfan dag til að þurrka tækið alveg að innan til að koma í veg fyrir myglu.

3) Slökkvið á tækinu, takið það úr sambandi og vefjið snúrunni í kringum snúruhaldarann, setjið klóna í festinguna á bakhlið tækisins og setjið vatnstappann og lokið á sinn stað.

4) Fjarlægið útblástursbarkabúnaðinn, þrifið hann og geymið á góðum stað.  
Athugaðu:  
Ýtið inn festingunum,  
Haldið í búnaðinn fyrir útblástursbarkann með báðum höndum þegar hann er fjarlægður.  
Ýtið festingunum á loftúttökunum til hliðar með þumalfingrunum og dragið síðan útblástursbarkabúnaðinn út.

5) Pakkaðu loftkælinum vandlega inn í mjúkan plastpoka, settu hann á þurran stað og gerðu viðeigandi ráðstafanir til að vernda hann fyrir ryki. Geymið tækið þar sem börn ná ekki til.

6) Takið rafhlöðurnar úr fjarstýringunni og geymið þær á góðum stað.  
Athugaðu:

\*Tryggið að tækið sé geymt á þurrum stað. Geyma skal alla fylgihluti tækisins saman og vernda þá á réttan hátt.

\* Snúruhaldarinn og alhliða innstungan veita rafmagnsnúrunni vernd.

\* Há staðsetning úttaks fyrir útblástursloft býður upp á einfalda samsetningu og hraða loftræstingu.

\* Sjálfeimandi kælikerfi tækisins er smart, umhverfisvænt og orkusparandi.

\* Er með sólarhrings tímavirkni með einstakt á/af tónlistarhljóð.

\* Það er 3 mínútna seinkun á endurræsingu pressunnar sem verndandi virkni.



## WiFi-eiginleikar

### 1. Sækja og setja

#### upp forrit

Sækja Woods Connect App frá App Store eða Google Play

1. Nýskráning/Innskráning/gleymt lykilorð

Skrá  
Ef þú ert ekki með App-reikning skaltu skrá þig á reikning eða skrá þig inn með staðfestingarkóða með SMS. Þessi síða lýsir skráningarferlinu.

2. Snertu til að opna skráningarsíðu.

3. Kerfið þekkir sjálfkrafa land þitt/svæði. Einnig er hægt að velja landskóða. Sláðu inn farsímanúmerið/netfangið og ýttu á „Next“.

4. Ef þú slærð inn farsímanúmerið, sláðu þá inn staðfestingarkóðann í skilaboðunum og ýttu á „Confirm“ til að ljúka skráningunni.

5. Ef þú slærð inn netfangið, sláðu þá inn lykilorðið og ýttu á „Confirm“ til að klára skráninguna.

### 2. Skráðu þig inn með notandanafni og lykilorði eða staðfestingarkóða í gegnum SMS

#### Skráðu þig inn með notandanafni og lykilorði

1. Kerfið þekkir sjálfkrafa land þitt/svæði. Einnig er hægt að velja landskóða. Sláðu inn farsímanúmerið/netfangið og ýttu á „Next“

2. Sláðu inn skráð farsímanúmer þitt eða netfang og lykilorð til að innskrá þig.

#### Skráðu þig inn með staðfestingarkóða

1. Ýttu á „Skráðu þig inn með SMS“

staðfestingu“ á nýrri síðu.  
2. Kerfið þekkir sjálfkrafa land þitt/svæði.  
Einnig er hægt að velja landskóða.

#### Gleymt lykilorð

Ef þú gleymdir aðgangsorðinu þínu skaltu fylgja þessu ferli:

1. Ýttu á „Forgot password“.

2. Kerfið þekkir sjálfkrafa land þitt/svæði. Einnig er hægt að velja landskóða. Sláðu inn farsímanúmerið/netfangið og ýttu á „Next“.

3. Sláðu inn staðfestingarkóðann í skilaboðunum/tölvupóstinum, sláðu inn lykilorðinu og ýttu á „Confirm“ til að ljúka.

#### Woods Connect styður neðangreindar aðgerðir:

- Kveikt/Slökkt
- Kælistilling
- Rakaeyðistilling
- Viftustilling
- Sparnaðarstilling
- Hitastillingar
- Hraði Hægur og Hraður
- Tímastillir: 1-24 klst.
- Svefn: Á/Af
- Sjálfvirk hreinsun: Á/Af
- Celsíus/Fahrenheit
- Sveifla: Á/Af

### 3. Fylgdu ferlinu í APPINU til að nota WiFi-eiginleikana.

#### Smart Home

Ef þú ert með Smart Home-vöru skaltu ljúka skrefi 1 til 3.

Þjónustuaðgangur þriðja aðila: Ýttu á táknið fyrir raddþjónustu þriðja aðila til að sjá hvernig á að tengjast þjónustunni.

Smart Home Woods Connect styður eftirfarandi aðgerðir með raddskipun:

#### Kveikja/Slökva Hitastillingar Hamstillingar Stillingar viftuhraða

Nánari upplýsingar er að finna á: <https://woods.se/en/>

VANDAMÁL	ORSÖK	ÚRRÆÐI
Tækið fer ekki í gang þegar ýtt er á hnappinn á/af	Ekki í sambandi / Innstunga eða kló skemmd.	Setjið í samband eða skiptið um straumaðfærslu eða innstungu.
	Öryggi er sprungið eða bilað.	Skiptið um öryggi (3,15A/250AC).
	Herbergishitastigið er lægra en stillt hitastig. (Kælistilling)	Endurstilltu hitastigið.
Ekki nógu kalt	Hurðir eða gluggar eru ekki lokaðir.	Gakktu úr skugga um að allir gluggar og hurðir séu lokaðar.
	Það eru hitagjafir inni í herberginu.	Fjarlægið hitagjafa ef hægt er.
	Útblástursbarki ekki tengdur eða stíflaður.	Tengdu eða hreinsaðu útblástursbarkann.
	Hitastilling er of há.	Endurstilltu hitastigið.
Tækið er hávært	Loftinntak stíflað.	Hreinsið loftinntakið.
	Undirlag er óslétt eða hallandi.	Staðsetjið tækið á slétt lárétt yfirborð ef hægt er
	Hljóðið kemur frá kælivökvanum inni í loftkælinum	Það er eðlilegt.

Ef vandamál koma upp með færanlega loftkælinn; skoðið neðangreind atriði fyrir bilanaleit. Ef ekkert af neðangreindum úrræðum virka, vinsamlegast hafið samband við söluaðila til að fá viðhaldsþjónustu.

Bilanakóðar	ORSÖK	ÚRRÆÐI
E2 Kóði	Bilun eða skemmdir á herbergishitaskynjara.	Skiptið um herbergishitaskynjara.
E3 Kóði	Bilun í hitaskynjara fyrir eimi.	Skiptið um hitaskynjara fyrir eimi.
E4 Kóði	Vatnstankur fullur.	Tæmið vatnstankinn.

## Ábyrgðir

2 ára neytendaábyrgð á framleiðslugöllum. Vinsamlegast athugið að ábyrgðin gildir aðeins gegn framvísun kvittunar. Ábyrgðin gildir aðeins ef varan er notuð í samræmi við þær leiðbeiningar og öryggisviðvaranir sem eru að finna í þessari handbók. Ábyrgðin nær ekki til tjóns sem stafar af óviðeigandi meðferð vörunnar.

ATH: Tveggja ára ábyrgðin gildir aðeins fyrir neytendur og fyrir notkun tækisins í atvinnuskyni.



### ATH!

Skráðu þig á [www.warranty-woods.com](http://www.warranty-woods.com) og lestu um hvernig þú færð framlengda ábyrgð. Frekari upplýsingar er að finna á [woods.se](http://woods.se).

### Ráðlögð mörk fyrir notkun

Besti umhverfishiti fyrir kælistarfsemi er 17-35 °C, Stærð öryggis:  $\varnothing 5,0 \times 20 \text{ mm}$  3,15A, 250Vac.

## TÆKNILÝSING

	AC Milan 7K Duo WiFi Smart Home	AC Milan 9K Duo WiFi Smart Home
Kæligeta/Upphitunargeta	2000 W/1500 W	2600 W/2000 W
Orkunotkun	750 W/600 W	950 W/750 W
Lofthæði:	350 m <sup>3</sup> /klst	350 m <sup>3</sup> /klst
Orkuþokkur	A	A
Rakaeyðing	19l / 24klst	24 l/24klst
Hitastilling	15-31°C	15-31°C
Vinnuhiti	16-43°C	16-43°C
EER	2,6	2,7
Lengd útblástursbarka	1,5 m	1,5 m
Þvermál rörs útblástursbarka	155mm	155mm
Kæliefni	R290/100g	R290/160g
Hávaðastig í desibel	51dB	51dB
Þyngd	22.5 kg	24.5 kg
Mál í mm, L x B x H	355x350x700	355x350x700

\*Tæknilegar breytingar og endurbætur geta átt sér stað. Öll gildi eru um það bil og geta verið breytileg vegna utanaðkomandi aðstæðna s.s. hitastigs, loftræstingar og rakastigs.



\*Þetta merki gefur til kynna að ekki skuli farga tækinu með öðru heimilissorpi innan ESB. Til að koma í veg fyrir mögulegt umhverfis- eða heilsutjón vegna rangrar förgunar skal koma tækinu í endurvinnslu þannig að förgun efna fari fram ábyrgan og sjálfbæran hátt. Þegar þú skilar tækinu skaltu nota skila- og söfnunarkerfi eða hafa samband við söluaðila tækisins. Þeir geta tekið á móti tækinu og komið því í endurvinnslu.



\*Ekki má farga notuðum rafhlöðum í sorp heimila þar sem þær geta innihaldið eiturfni og þungmálma sem geta skaðað umhverfið og heilsu manna. Skilið tómunum rafhlöðum í viðeigandi endurvinnslustöð.

## WOOD'S TAGAB PUHTA JA TERVISLIKU SISEÕHU

Wood'si brändi lõi üle 65 aasta tagasi perekond Wood Kanada linnas Guelphis, Ontarios. Siin alustas Wood's 1950. aastal õhukuivatite arendamist ja tootmist. Sellest ajast peale on Wood's aidanud mitmesajal tuhandel majapidamisel ennetada hallitusest ja niiskusest tingitud kahjustusi ja hingata puhtamat õhku. Meie portatiivsed õhukonditsioneerid sobivad kasutamiseks enamikes kliimades, kus nende võimsus on piisav isegi erinevatel temperatuuridel ja niiskustasemetel. Need toimivad tõhusalt ruumides, kus võib minna palavaks, nagu näiteks elutoad, kontorid või magamistoad. Õhukonditsioneerid eemaldatava kuuma õhu kogus sõltub ruumi temperatuurist, niiskustasemest ja seadme asukohast. Ka välised ilmastikutingimused võivad õhukonditsioneerid töö kvaliteeti mõjutada.

Wood'si õhukonditsioneerid töötavad ohutult ja on ette nähtud pikaajaseks püsivaks kasutuseks.

## KUIDAS ÕHUKONDISIONEER TÖÖTAB?

Madalrõhk tagab külma õhu. Õhukonditsioneerid põhielement on jahutusvedelik, mis madalrõhu all muundatakse gaasiks. Protsessi käigus „tekib külm“, mis edastatakse ruumi sisse, hoides samas sooja õhu väljaspool. Jahutusvedelik läbib paisumisventiili ja suundub torru, kus rõhk on madal. Jahutusvedelik aurustub ja muutub gaasiks. Protsessi käigus imatakse ümbritsevast keskkonnast soojust ja toru jahutatakse. Ventilaator puhub külma õhu tupp. Gaas läbib kompressori, mis suurendab rõhku ja muundab gaasi vedelikuks. Selle protsessi käigus vabaneb soojust, mis juhatakse vastasküljel asuvate torudeni ja mille ventilaator välja puhub. Termostaat seiskab seadme, kui siseõhk on piisavalt külm.

## 1. TURVAHOIATUSED



Tuleohtlik materjal. Antud seade sisaldab kergestisüttivat külmutusagensit R290/propaan.



Ohutusteavet leiate sellest juhendist.



Lugege tehnilist juhendit



Vt kasutusjuhendit.

### OHUTUSALANE TEAVE

Enne seadme paigaldamist ja kasutamist lugege komplektis olev juhend hoolikalt läbi. Tootja ei ole vastutav, kui vale paigaldus ja kasutus toob kaasa kehavigastusi ning kahjusid. Hoidke kasutusjuhend tulevikus kasutamiseks alati seadme juures.

### Laste ja haavatavate isikute ohutus



#### HOIATUS

Kehavigastuste või püsiva tervisekahjustuse oht. Antud seadet võivad kasutada 8-aastased ja vanemad lapsed ning vähenenud füüsiliste, sensorsete või vaimsete võimetega isikud või vastavate kogemusteta ja teadmisteta isikud, kui nad teevad seda järelevalve all või neile on õpetatud seadme ohutut kasutamist ning nad mõistavad

seonduvaid ohtusid. Ärge laske lastel seadmega mängida.

Alla 3-aastased lapsed tuleb hoida seadmest eemal, välja arvatud pideva järelevalve puhul. Hoidke kõiki pakendusdetalle lastele kättesaamatult. Lapsed ei tohi ilma järelevalveta seadet puhastada ja hooldada.

### Üldine ohutus

Antud seade on mõeldud kasutamiseks majapidamistes ja sellistes kohtades nagu peretuba, elutuba, töötajate kööginurgad poodides, kontorites ning muudes töökohtades. Andmeplaat paikneb õhukonditsioneerid taga või küljel. Vältige ventilatsioonivade blokeerimist.

Ärge kasutage sulatuse kiirendamiseks mehaanilisi võtteid või muid meetodeid, mis pole tootja poolt soovitatud. Seadet ei tohi hoiustada ruumis, kus on aktiivsed süttimisallikad (nt lahtine tuli, töötav gaasiseade või töötav elektriline küttekeha). Ärge torgake läbi ega põletage. Võtke arvesse, et külmutusagensid võivad olla lõhnatud. Ärge piserdage seadet puhastamiseks veega ega kasutage auru. Puhastage seadet niiske lapiga. Kasutage ainult neutraalseid pesuvahendeid. Ärge kasutage abrasiivseid tooteid, abrasiivseid puhastuslappe, lahusteid ega metallesemeid. Kui elektritoitejuhe on kahjustatud, peab õhu vältimiseks vahetama selle tootja, tootja volitatud

teeninduskeskus või sarnase kvalifikatsiooniga isikud.

## OHUTUSALASED JUHISED

### Paigaldus HOIATUS

Antud seadet võib paigaldada ainult kvalifitseeritud isik. Eemaldage pakendi kõik detailid. Ärge paigaldage ega kasutage kahjustatud seadet. Seade tuleb paigaldada ja seda kasutada ning hoiustada ruumis, mille pindala on suurem kui 4 m<sup>2</sup> / 4,2 m<sup>2</sup>(7K), 7,7 m<sup>2</sup> (9K), 9,6 m<sup>2</sup>(12K). Järgige seadmega kaasas olevat paigaldusjuhendit. Olge seadme liigutamisel alati ettevaatlik, kuna see on raske. Kandke alati kaitsekindaid. Võtke arvesse, et külmutusagensid võivad olla lõhnutud.

Kindlustage, et õhk pääseks seadme ümber liikuma. Oodake enne seadme elektritoitega ühendamist vähemalt 4 tundi. See võimaldab õil tagasi kompressorisse voolata. Ärge paigaldage seadet radiaatorite või muude küttekehade lähedusse. Ärge paigaldage seadet otsese päikesevalguse kätte.

### Elektriühendus

#### HOIATUS

Tulekahju- ja elektrilöögioht. Seade tuleb ühendada maandusega pistikupessa. Veenduge, kas elektritoide vastab andmeplaadil toodud elektriandmetele. Kui mitte, võtke ühendust elektrikuga.

Kasutage alati õigesti paigaldatud elektrilöögikindlat pistikupesa. Ärge kasutage jaoturadaptereid ja pikendusjuhtmeid. Kindlustage, et te ei kahjustaks elektrilisi komponente (nt elektritoitepistik, elektritoitekaabel). Elektriliste komponentede vahetamiseks võtke ühendust volitatud teeninduskeskuse või elektrikuga. Elektritoitejuhe peab jääma elektritoitepistikust madalamale. Ühendage elektritoitepistik pistikupessa alles paigalduse lõpus. Kindlustage, et pärast paigaldamist oleks võimalik elektritoitepistikule ligi pääseda. Ärge tõmmake seadme vooluvõrgust lahti ühendamiseks elektritoitekaablist. Tõmmake alati elektritoitepistikust.

### Kasutus

#### HOIATUS

Kehavigastuste, põletuste, elektrilöögi või tulekahju oht. Ärge muutke selle seadme tehnilisi omadusi.

Olge ettevaatlik, et mitte kahjustada külmutusagensi torustikku. See sisaldab propaani (R290), looduslikku gaasi, millele rakenduvad ranged keskkonnanõuded. See gaas on kergestisüttiv.

Kui külmutusagensi torustik saab vigastada, kindlustage, et ruumis ei oleks lahtist tuld ega süüteallikaid. Õhutage ruumi. Ärge pange seadme lähedale

ega selle peale kergestisüttivaid tooteid ega esemeid, mis on kergestisüttivate vedelikega koos.

### Kasutuselt kõrvaldamine

#### HOIATUS

Kehavigastuste oht. Ühendage seade vooluvõrgust lahti. Eemaldage elektritoitekaabel ja kõrvaldage see kasutuselt. Antud seadme külmutusagensisüsteem on osoonisõbralik. Võtke ühendust vastava kohaliku asutusega, et saada teavet selle kohta, kuidas seade nõuetekohaselt kasutuselt kõrvaldada. Ärge kahjustage jahutusseadme osa, mis paikneb soojusvaheti lähedal.

## ÕHUKONDITSIONEERI PAIGALDUSEKS SEADISTAMINE

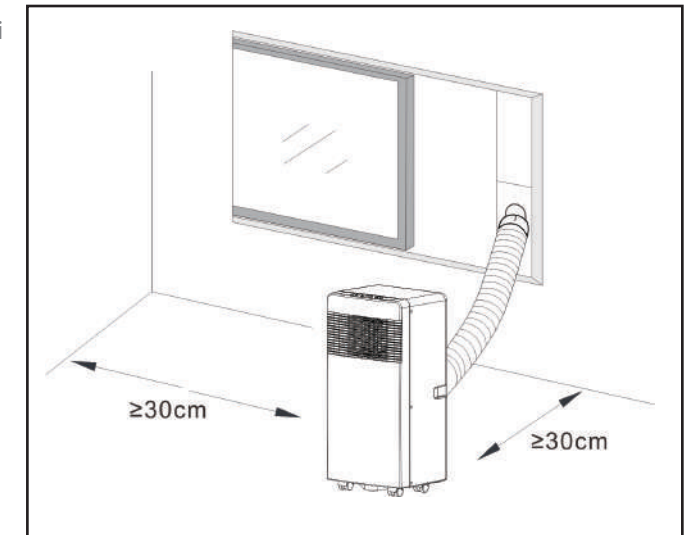
### 2. Paigaldus

#### ENNE ESMAKORDSET KASUTAMIST

Laske seadmel enne kasutamist 2 tundi püsti seista. Selle eesmärk on, et jahutussüsteemi sattunud õli saaks kompressorisse tagasi voolata. (Sama mis külmkapi puhul)

#### Tähtis

- Seda õhukonditsioneeri saab mugavalt siseruumides teisaldada. Hoidke seadet selle teisaldamise ajal püstises asendis. Õhukonditsioneer tuleks asetada tasasele pinnale. Ärge paigaldage ega kasutage seda õhukonditsioneeri vannitoas ega mõnes muus märjas keskkonnas. Kuna portatiivne õhukonditsioneer liigub ratastel, on lihtne selle asukohta muuta. Kui ruum muutub kuumaks, viite lihtsalt oma portatiivse õhukonditsioneeri sinna ja saate kiiresti alustada ruumi jahutamist. Õhukonditsioneeri tuleb maksimaalse tõhususe huvides käitada suletud ruumis. Sulgege kõik ukсед, aknad ja toas leiduvad muud avaused. Isegi kui teil on hea ventilatsioon või suured aknad otsese päikesevalgusega, võivad need jahutamist mõjutada.
- Asetage õhukonditsioneer kohta, kus õhuvoolu läbi seadme esiosa ei ole piiratud.
- Ruumis töötav õhukonditsioneer mõjutab vähe või ei mõjuta üldse külgnevaid suletud hoiuruume, nt kappe, välja arvatud juhul, kui selles piirkonnas on olemas piisav õhuringlus. Portatiivne õhukonditsioneer suunab kuumuse seadmest välja ventilatsioonitoru kaudu läbi akna või väljalaskeklapi.
- Õhukonditsioneeri ja lähima objekti vahel peab olema vähemalt 30 cm vahemaa. Vt pilti.



## TOOTE KIRJELDUS

## 3. Toote kirjeldus

- A**
- Väljatõmbetoru
  - Väljatõmbetoru ühendus õhukonditsioneeriga
  - Väljatõmbetoru ühendus aknaraamiga
  - Kaugjuhtimispuul
  - Aknaraam
  - Veepistik
  - Patareid
  - Veetoru  
Pikkus: 1m  
Läbimõõt: 10mm
- B**
- Tootepilt eest
- C**
- Juhtpaneel
  - Külma õhu väljalaskeava
  - Signaali vastuvõtja
  - Kaugjuhtimispuul
  - Transpordi käepide
  - Õhu väljalaskevoolik
  - Aurusti sissetõmbeava
  - Äravooluava
- D**
- Tootepilt ülalt
- E**
- Tundi / Temperatuuri tõstmine
  - Tundi / Temperatuuri langetamine
  - Automaatne, jahutamine, Kütte Kuivatamine, ventilaatori režiim
  - Unerežiim ja lapselukk
  - Võnkliikumine/pöördfunktsioon
  - Tundi
  - Töörežiim
  - Ventilaatori kiirus (väike/suur)
  - Toitenupp (sees/väljas)
  - Ventilaatori valitud kiiruse indikaatorlamp
  - Tööindikaator (süttib siis, kui masin töötab)
  - Lapseluku ja unerežiimi indikaatorlamp.
  - WiFi
- F**
- Filtrisõela puhastusjuhised.
- G**
- NUPP  
Toide sees/väljas
  - NUPP  
töörežiimi valimiseks vajutage seda nuppu.
  - NUPP  
Kasutatakse ventilaatori kiiruse järjestikuseks valimiseks.
  - ja SEADISTUSNUPUD  
Kasutatakse toatemperatuuri ja taimeri reguleerimiseks.
  - NUPP  
Kasutatakse seadistamiseks või tühistamiseks Režiimi töö.
  - NUPP  
Kasutatakse automaatse VÄLJA- ja automaatse SISSELÜLITAMISE aja seadistamiseks.
  - NUPP  
Kasutatakse võnkliikumise- / pöördfunktsiooni seadistamiseks.
- H**
- Keerake väljalaskevooliku otsad voolikuühendustesse näidatud viisil.
- I**
- Väljatõmbetoru paigaldusjuhised
- J**
- Aknaraamile paigaldamise juhised TÄHELEPANU! See aknaraam ei sobi kõikidele aknatüüpidele.  
Kui see raam ei sobi, soovitage Woodi aknatihenduskomplekti (tootenumber: wac\_wk).
- K**
- Aknaraami paigaldamise ettepanek
- L**
- Äravoolumoosikute paigaldamise juhised (TÄHELEPANU! Voolik ei kuulu komplekti. Otsik on kohandatud seadme 10 mm voolikule)

## TÖÖREŽIIMIDE FUNKTSIOONID JA PAIGALDUSKIRJELDUSED

**A. Tarvikud**  
Pärast lahtipakkimist kontrollige, kas ülalnimetatud lisaseadmed on komplektis ja kontrollige nende kasutust selle juhendi sissejuhatuses. Lisatarvik nr 6 on juba paigaldatud masina tagaküljele.

**B. Portatiivne õhukonditsioneer G.**  
Kaugjuhtimispuuldi välimus ja funktsioon. Märkused: ärge pillake kaugjuhtimispuulti maha. Ärge asetage kaugjuhtimispuulti otsese päikesevalguse kätte.

**A. Kasutamise sissejuhatus**  
Enne selles jaotises kirjeldatud toimingute alustamist:  
1) Asetage õhukonditsioneer kohta, kus teil on maandatud pistikupesa hea ligipääs.

2) Paigaldage väljatõmbetoru ja reguleerige akna asendit.

3) Sisestage toitejuhe maandatud AC 220 ~240 V / 50 Hz pistikupessa.

4) Vajutage õhukonditsioneeris sisselülitamiseks vajutage nuppu „POWER“ (Toide).

H, I ja K. Väljatõmbetoru paigaldus

**M) Ajutine paigaldus**

- Keerake väljalaskevooliku mõlemad otsad voolikuühendustesse.
- Sisestage ruudukujuline kinnitusklamber õhukonditsioneeris taga asuvasse õhu väljalaskeavasse.
- Asetage väljatõmbetoru teine ots aknalaua lähedale.

**J&K: Aknaliuguri komplekti paigaldamine**  
Aknaliuguri komplekti paigaldamise asendid on enamasti horisontaalne ja vertikaalne. Kontrollige enne paigaldamist akna minimaalset ja maksimaalset suurust, nagu näidatud joonistel 5 ja 5a.

- Paigaldage aknakomplekt aknale;
- Reguleerige aknaliuguri komplekti pikkust vastavalt akna laiusele või

kõrgusele ja kinnitage see tüübliga.  
3. Kinnitage voolikuklamber aknaraami auku

**O. Sisemise veepaagi häiresignaal**  
„Veepaak on täis“  
Masina sees asuval veepaagil on taseme jälgija, mis tuvastab, kui paak täis saab. Kui anum saab täis, lülitub masin automaatselt välja ja ekraanil kuvatakse kood E4. (Kui veepaak saab täis, eemaldage vee väljalaskmiseks seadme põhjast kummist kork.) Soovitame vee välja lasta pöranda äravooluava kaudu või ahjuplaadile. Kui veepaak on täis, eemaldage kummist

**On väga oluline, et filtrit puhastataks regulaarselt; vastasel juhul võib õhukonditsioneeris võimsus väheneda ja seade isegi tõsiselt kahjustuda saada.**

stopper seadme põhjast ja kogu vesi voolab välja.)

Hooldusjuhised ja hooldusdeklaratsioon:

- Enne puhastamist eemaldage seade kindlasti elektrivõrgust;
- Ärge kasutage seadme puhastamiseks bensiini ega muid kemikaale;
- Vältige vee sattumist otse seadmele;

4) Kui masin on kahjustatud, võtke ühendust edasimüüjaga  
1. Õhufilter  
– Kui õhufilter on tolmu/mustusega ummistunud, tuleb seda puhastada iga kahe nädala tagant.  
– Lahtivõtmine  
Avage õhu sissepuhkevõre ja eemaldage õhufilter.  
– Puhastamine  
Puhastage õhufiltrit neutraalse pesuvahendiga leiges (40 °C) vees ja laske sel varjulises kohas kuivada.  
– Paigaldamine  
Kui panete õhufiltrit õhu sissepuhkevõresse, asetage komponendid tagasi nii, nagu need olid.

2. Puhastage pind neutraalse pesuaine ja

märja lapiga, seejärel kuivatage see kuiva lapiga ära.

**E. Enne kasutamist**  
Kontrollige, kas väljatõmbetoru on õigesti paigaldatud.

Ettevaatusabinõud jahutuse ja õhukuivatuse toiminguteks.  
– Jahutamise ja õhukuivatamise funktsioonide kasutamisel hoidke nende vahel vähemalt 3-minutist intervalli.  
TOIDE.

– Toiteallikas vastab nõuetele.  
– Pistikupesa on ette nähtud vahelduvvoolu kasutamiseks.  
– Ärge kasutage ühte pistikupesa mitme seadme jaoks.

– Elektritoiteallikas on AC 220–240 V, 50 Hz.

1. Lülitage seade sisse  
a) Ühendage seade vooluvõrku, seejärel see piiksub üks kord, „O“ Toite indikaatori tuli põleb.

b) Vajutage nuppu „“, siis lülitatakse seade sisse.

c) LED kuvab toatemperatuuri ja automaatsel režiimil.

2. Jahutusrežiim/Küttetegevus  
– Vajutage nuppu „Mode“ (Režiim), kuni paneelil kuvatakse lumehelbe ikoon/Päikese ikoon.  
– Soovitud toatemperatuuri valimiseks vajutage nuppu „+“ või „-“.  
(15°C–31°C)

– Õhuvoo kiiruse valimiseks vajutage nuppu „Fan Speed“ (Ventilaatori kiirus).

3. Õhukuivatuse režiim  
Vajutage nuppu „Mode“ (Režiim), kuni ilmub ikoon „Dehumidify“ (Õhukuivatus).

– Seadke valitud temperatuur automaatselt praegusele toatemperatuurile miinus 2°C.

– Seadke ventilaatori mootor automaatselt kiirusele „LOW“ (Madal).

4. Ventilaatorirežiim  
– Vajutage nuppu „Mode“ (Režiim), kuni ilmub ikoon „Fan“ (Ventilaator).

– Õhuvoo kiiruse valimiseks vajutage nuppu „Fan Speed“ (Ventilaatori kiirus).

5. Taimeri töö

a) Vajutage nuppu „Timer“ (Taimer), et määrata automaatne väljalülitusaeg,

## TÖÖREŽIIMIDE FUNKTSIOONID JA PAIGALDUSKIRJELDUSED

kui seade töötab.

b) Kavandatud alustamiseks vajutage taimeri nuppu.

c) Aega saab reguleerida vahemikus 1 tund kuni 24 tundi. Vajutage nuppu temperatuur üles (+) või temperatuur alla

(-), et suurendada või vähendada aega ühe tunni võrra, vajutades üks kord.

6. ☺ Toiming

a) Toiming ☺kehtib siis, kui seade on ✨ režiimis.

b) Unerežiimi aktiveerimiseks vajutage ☺ režiimis nuppu ✨. Unerežiimis töötab ventilaator madalal kiirusel. Seadistatud temperatuur tõuseb ühe tunni pärast 1 °C ja kahe tunni pärast 2 °C võrra. 6 tunni pärast lülitub seade välja. Kui temperatuur peaks seadistatud väärtusest tõusma üle 2 °C, käivitub masin täisjõul.

7. ↻ Vönkliikumine / pöördfunktsioon

a) Kui nupp „Oscillation / Swing“ (vönkliikumine / pöördfunktsioon) on aktiveeritud, pöörleb ketasnuga automaatselt üles ja alla. Kui soovite lõpetada, vajutage uuesti nuppu.

Remont

Kui õhukonditsioneer on vaja remontida, pöörduge esmalt kohaliku jaemüüja poole.

Garantii kehtib vaid ostu tõendavate dokumentide esitamisel.

Hoiustamisjuhised

Hoiustamine hooaja lõppedes

1) Soovitame vee välja lasta pöranda äravooluava kaudu või kúpsetuspaberile. Keerake äravoolutoru kate ära ja tõmmake veekork välja, et kondensaatvesi täielikult ära voolaks.

2) Laske seadmel töötada ventilaatorirežiimis pool päeva, et see seestpoolt täielikult ära kuivaks, mis

ennetab hallituse teket.

3) Lülitage seade välja, tõmmake pistik välja, seejärel keerake juhe ümber juhtmehoidiku, sisestage pistik universaalsesse paigaldusavasse seadme tagaküljel, paigaldage veekork ja äravoolutoru kate.

4) Eemaldage sooja õhu väljatõmbetoru sõlm, puhastage see ja pange see korralikult hoiule.

Märkus.

Lükake klambrid sisse, Hoidke väljatõmbetorusõlme eemaldamisel mõlema käega. Suruge väljatõmbeava külgedel olevad kinnitusdetailid põialde abil kõrvale, seejärel tõmmake väljatõmbetorusõlm välja.

5) Pakkige õhukonditsioneer ettevaatlikult pehmesse kilekotti, asetage see kuiva kohta ja võtke selle tolmu eest kaitsmiseks vajalikke meetmeid. Hoidke seadet lastele kättesaamatus kohas.

6) Võtke patareid kaugjuhtimispuldist välja ja pange korralikult hoiule. Märkus.

\*Veenduge, et seadet hoiustatakse kuivas ruumis.

Seadme kõiki tarvikud tuleb hoida koos ja neid tuleb korralikult kaitsta.

\* Toitejuhtme hoidja ja universaalne pistikupesa tagavad toitejuhtme kaitse.

\* Väljatõmbeava kõrge asukoht tagab lihtsa kokkupaneku ja kiire ventilatsiooni.

\* Seadme iseaurustuv jahutussüsteem on nutikas, keskkonnasõbralik ja energiasäästlik.

\* Sisaldab 24-tunnise taimeri funktsiooni, millel on ainulaadne sisse- ja väljalülitatav muusikaline heli.

\* Kaitsefunktsioonina toimib kompressori

taaskäivitamise 3minutilise viivitus.

### WiFi-funktsioon

#### 1. Laadige alla ja installige rakendus

Laadige alla Woods Connecti rakendus App Store'ist või Google Playst.

1. Registreerumine / Sisselogimine / Unustasin parooli

Registreerumine  
Kui teil pole rakenduse kontot, registreerige konto või logige sisse SMSi teel saadava kinnituskoodiga. See leht kirjeldab registreerimisprotsessi.

2. Koputage, et siseneda registreerimislehele.

3. Süsteem tunneb automaatselt ära teie riigi/piirkonna. Saate valida ka oma riigi koodi. Sisestage mobiiltelefoni number / e-posti aadress ja puudutage valikut „Next“ („Edasi“).

4. Kui sisestate mobiiltelefoni numbri, sisestage järgmiseks sõnumisse kinnituskood ja seejärel parool; registreerimise lõpetamiseks koputage „Confirm“ („Kinnita“).

5. Kui sisestate e-posti aadressi, sisestage järgmiseks parool ja registreerimise lõpetamiseks koputage „Confirm“ („Kinnita“).

#### 2. Logige sisse kasutajanime ja parooli või kinnituskoodiga SMSi kaudu.

**Logige sisse kasutajanime ja parooliga.**

1. Süsteem tunneb automaatselt ära teie riigi/piirkonna. Saate valida ka oma riigi koodi. Sisestage mobiiltelefoni number / e-posti aadress ja koputage valikul Next (Edasi).

2. Sisselogimiseks sisestage oma registreeritud mobiiltelefoni number või e-posti aadress ja parool.

**Logige sisse kinnituskoodiga.**

1. Koputage „Sign in with SMS verification“ („Logi sisse SMS-kinnitusega“) uuel lehel.  
2. Süsteem tunneb automaatselt ära teie riigi/piirkonna. Saate ka ise oma riigi koodi valida.

**Unustasin parooli**

Kui unustasite oma parooli, järgige alltoodud protseduure.

1. Koputage „Forgot password“ („Unustasin parooli“).

2. Süsteem tunneb automaatselt ära teie riigi/piirkonna. Saate ka ise oma riigi koodi valida. Sisestage mobiiltelefoni number / e-posti aadress ja puudutage valikut „Next“ („Edasi“).

3. Sisestage sõnumis/e-kirjas olnud kinnituskood ja sisestage uus parool, seejärel koputage lõpetamiseks valikul „Confirm“ („Kinnita“).

**Woods Connect toetab järgmisi funktsioone:**

- Toide sisse / toide välja
- Jahutusrežiim
- Kuivatusrežiim
- Ventilaatori režiim
- Ökorežiim
- Temperatuuriseaded
- Kiirus: Madal ja kõrge
- Taimer: 1–24 h
- Unerežiim: Sees/Väljas
- Automaatpuhastus: Sees/Väljas
- Celsius/Fahrenheit
- Pöördfunktsioon: Sees/Väljas

#### 3. WiFi-funktsioonide nautimiseks järgige rakenduses toodud korda.

### Smart Home

Kui teil on Smart Home (Nutikodu) toode, tehke läbi sammud 1 kuni 3.

Juurdepääsuteenused kolmandatele isikutele: koputage kolmanda osapoole häälteenusel ikooni, et näha, kuidas teenusega ühendust luua.

Smart Home Wood's Connect toetab häälkäsklustega järgmisi funktsioone:

Toide sisse / toide välja  
Temperatuuriseaded  
Režiimiseaded  
Ventilaatori kiiruse seaded

Lisateavet leiate aadressilt: <https://woods.se/en/>

PROBLEEM	PÕHJUS	LAHENDUS
Seade ei käivitu, kui vajutate ON/OFF („sees/väljas“) nuppu	Pole vooluvõrku ühendatud / pistik või pesa on kahjustatud.	Ühendage vooluvõrku või asendage toide või pistikupesa.
	Kaitse on läbi põlenud või katki.	Vahetage kaitse välja (3,15A/250AC).
	Toatemperatuur on madalam kui seadistatud temperatuur. (Jahutusrežiim)	Lähtestage temperatuur.
Pole piisavalt jahe.	Uksed või aknad pole suletud.	Veenduge, et kõik aknad ja uksed on suletud.
	Ruumis on soojusallikad.	Võimalusel eemaldage soojusallikad.
	Väljatõmbetoru pole ühendatud või on blokeeritud.	Ühendage või puhastage väljatõmbetoru.
	Temperatuuri seadistus on liiga kõrge.	Lähtestage temperatuur.
	Õhu sissepuhkeava on ummistunud.	Puhastage õhu sissepuhe.
Vali müratase.	Pind ei ole horisontaalne või pole piisavalt sile.	Asetage seade võimaluse korral siledale, horisontaalsele pinnale
	Heli tekib jahutusaine voolamisest konditsioneeris.	See on normaalne.
Kui teil tekib portatiivse õhukonditsioneeriga kasutamisel probleeme, lugege allpool esitatud veaotsingu peatükki. Kui ükski allpool toodud juhiste ei tööta, pöörduge toote parandamiseks jaemüüja poole.		

Veakoodid	PÕHJUS	LAHENDUS
Kood E2	Toatemperatuuri andur on rikkis või kahjustatud.	Asendage toatemperatuuri andur.
Kood E3	Aurusti temperatuurianduri rike.	Asendage aurusti temperatuuriandur.
Kood E4	Veepaak täis.	Tühjendage veepaak.

## Garantiid

2 aastane tarbijagarantii tootmisvigade korral. Pange tähele, et garantii kehtib ainult kviitungi esitamisel. Garantii kehtib ainult juhul, kui toodet kasutatakse käesolevas juhendis esitatud juhiste ja turvahoiatuste kohaselt. Garantii ei kata kahjustusi, mis on põhjustatud toote väärast käitlemisest.

**TÄHELEPANU!** 2-aastane garantii kehtib ainult tarbijate puhul, mitte seadme kaubanduslikul eesmärgil kasutamise korral.



### TÄHELEPANU!

Registreeruge aadressil [www.warranty-woods.com](http://www.warranty-woods.com) ja lugege, kuidas saada pikendatud garantiid. Rohkem teavet leiate veebisaidilt [www.woods.se](http://www.woods.se).

### Soovituslik kasutustingimused

Sobivaim ümbritseva õhu temperatuur jahutamiseks on 17-35 °C, Kaitsme parameeter: φ5,0x20mm 3,15A, 250Vac.

## TEHNILISED ANDMED

	AC Milan 7K Duo WiFi Smart Home	AC Milan 9K Duo WiFi Smart Home
Jahutusvõimsus/Soojuse tootmine	2000 W/1500 W	2600 W/2000 W
Energiatarve	750 W/600 W	950 W/750 W
Õhuvool:	350 m³/h	350 m³/h
Energiaklass	A	A
Õhu kuivatamine	19 l/24h	24 l / 24h
Temperatuuriseaded	15–31 °C	15–31 °C
Töotemperatuur	16–43 °C	16–43 °C
Energiatõhusustegur (EER)	2,6	2,7
Õhu väljalaskevooliku pikkus	1,5 m	1,5 m
Õhu väljalaskevooliku toru diameeter	155mm	155mm
Külmutusagensi gaas	R290/100 g	R290/160 g
Müratase detsibellides	51 dB	51 dB
Mass	22.5 kg	24.5 kg
Mõõtmed mm, P × L × K	355x350x700	355x350x700

\* Tootja võib teha tehnilisi muudatusi ja täiustusi. Kõik väärtused on ligikaudsed ning võivad varieeruda olenevalt välistest teguritest, nagu temperatuur, ventilatsioon ja niiskus.



\* See märgistus näitab, et seda toodet ei tohi kogu EL-is visata muude olmejäätmete hulka. Et vältida kontrollimata jäätmete kõrvaldamisest tekkida võivat kahju keskkonnale või inimeste tervisele, suunake see vastutustundlikult ümbertöötlemisse, et edendada oluliste ressursside säästvat taaskasutamist. Seadme tagastamiseks meile kasutage tagastamis- ja kogumissüsteeme või võtke ühendust jaemüüjaga, kellelt toode osteti. Neil on võimalik toode keskkonnaohutult taaskasutusse suunata.



\* Kasutatud patareid ei tohi visata olmejäätmetesse, kuna need võivad sisaldada mürgiseid elemente ja raskmetalle, mis võivad olla kahjulikud keskkonnale ja inimeste tervisele. Tagastage tühjad patareid sobivasse ringlussevõtukohhta.

*Wood's is marketed and distributed by:*

*Woods Production Sweden AB.*

*Box 356*

*441 27, Alingsås*

*Sweden.*

*woods.se*

*info@woods.se*

*+46 317613610*

***Wood's***<sup>®</sup>