

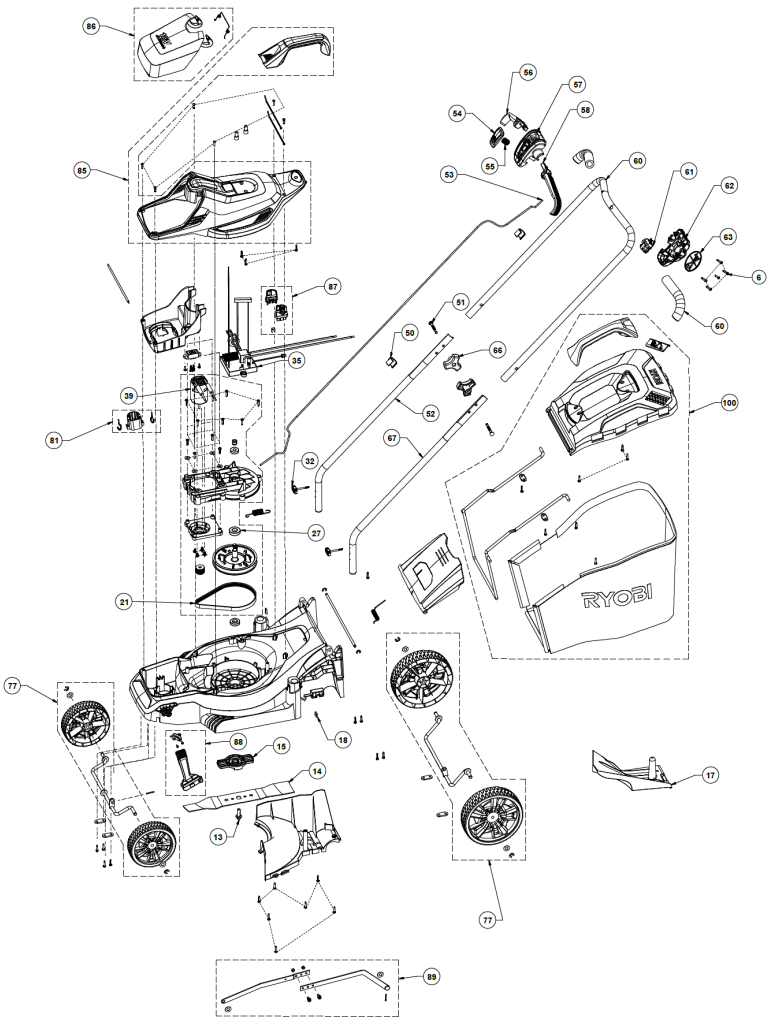
RLM18X33B50 TONDEUSE SUR BATT. GB2

5133004734 - RLM18X33B50 - 4000462910





4000462910



Position	Quantity	Description	Part number	EAN
1006 1	5	VIS	5131035603	4058546150105
1013 2	1	VIS	5131042504	4058546257187
1015 3	1	SUPPORT	5131043766	4058546351267
1017 4	1	BOUCHON	5131042250	4058546254643
1018 5	2	ECROU	Item discontinued(5131035493)	
1021 6	1	COURROIE	5131042251	4058546254650
1027 7	1	ROULEMENT	5131042252	4058546254667
1032 8	2	ECROU PAPILLON	5131043613	4058546349738
1035 9	1	ELECTRONIQUE	5131042253	4058546254674
1039 10	1	MOTEUR	5131042254	4058546254681
1050 11	2	PORTE CABLE	5131042843	4058546260576
1051 12	2	VIS	5131042844	4058546260583
1052 13	1	BARRE	5131043614	4058546349745
1053 14	1	CABLE	5131042255	4058546254698
1054 15	1	TRINGLE	5131042256	4058546254704
1055 16	1	RESSORT	5131040206	4058546052683
1056 17	1	LEVIER DE COMMANDE	5131042849	4058546260637
1057 18	1	COUVERCLE CARTER	5131042847	4058546260613
1058 19	1	LEVIER DE COMMANDE	5131042848	4058546260620
1060 20	1	POIGNEE	5131043615	4058546349752
1061 21	1	INTERRUPTEUR	5131042260	4058546254742
1062 22	1	BAS CARTER	5131042851	4058546260651
1063 23	1	COUVERCLE	5131042262	4058546254766
1066 24	2	VIS PAPILLON	5131042846	4058546260606
1067 25	1	BARRE	5131043616	4058546349769
1077 26	1	PAIRE DE ROUES	5131042263	4058546254773
1081 27	1	CARTER DE BATTERIE	5131042264	4058546254780
1085 28	1	COUVERCLE DE CARTER	5131042265	4058546254797
1086 29	1	COUVERC. PROTECTEUR	5131042266	4058546254803
1087 30	1	CLE DE SECURITE	5131035631	4058546150372
1088 31	1	FOURCHETTE D. REGL.	5131042315	4058546255299
1089 32	1	PIECE DE JOINT	5131042443	4058546256579
1100 33	1	SAC HERBE	5131042536	4058546257507
1014 34	1	RAC434 LAME 33CM RLM18X33B40/OLM1833B	5132004516	4892210181183