

VUE ECLATEE

Scarificateur Thermique

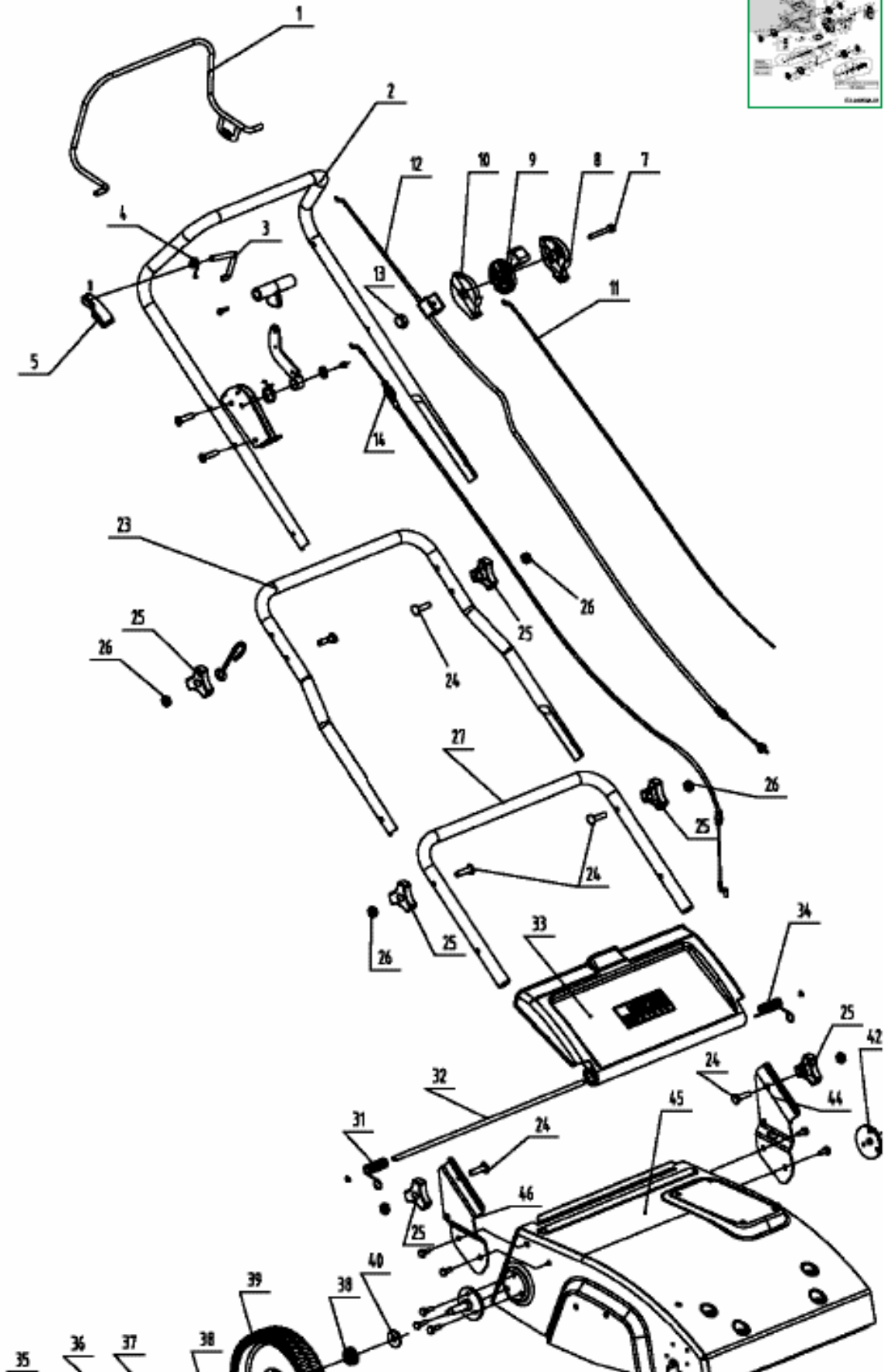
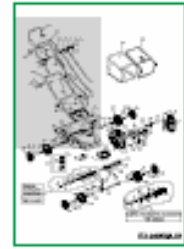
OPTIMA 35 VO – 16AHGL1A600

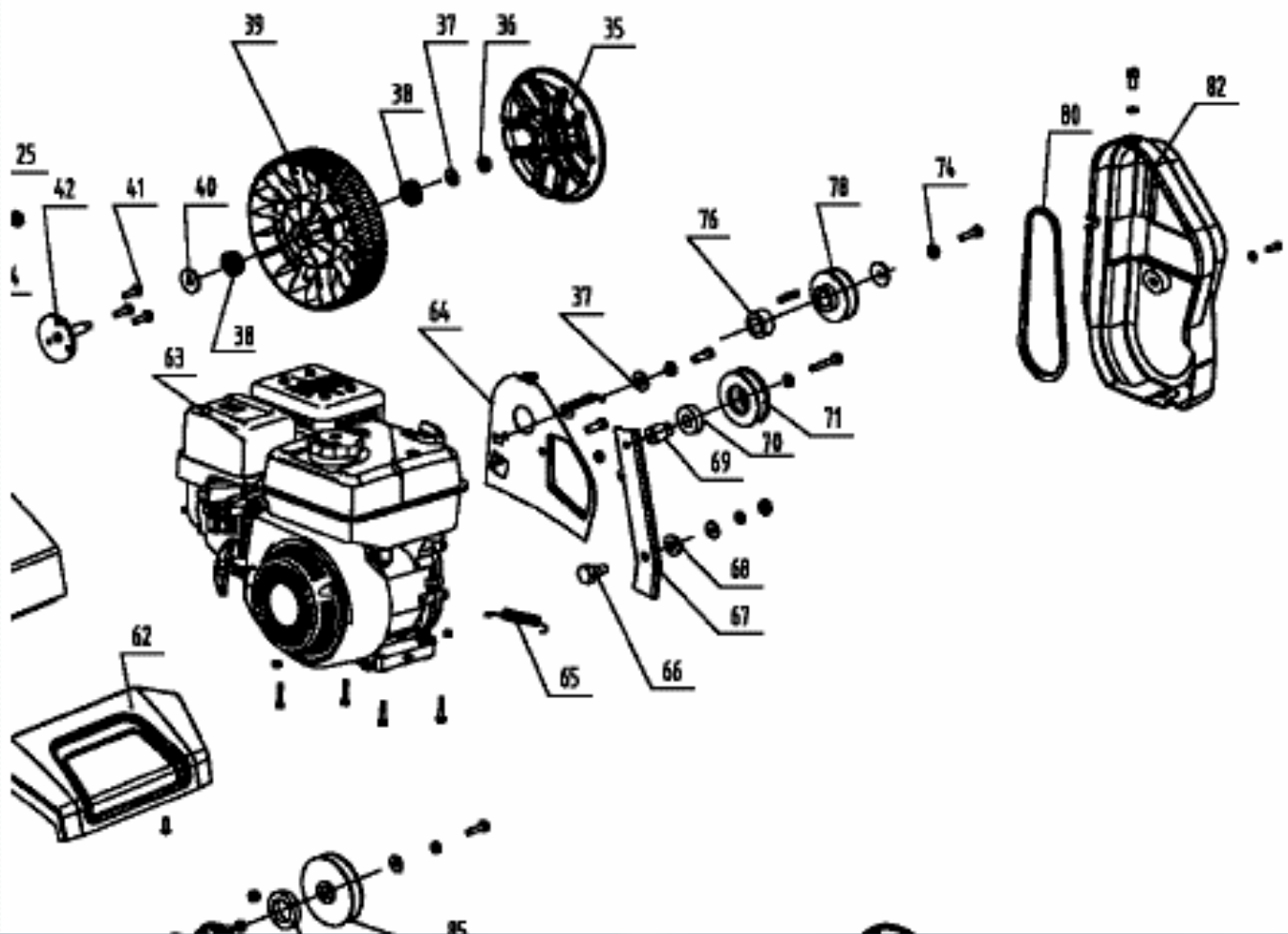
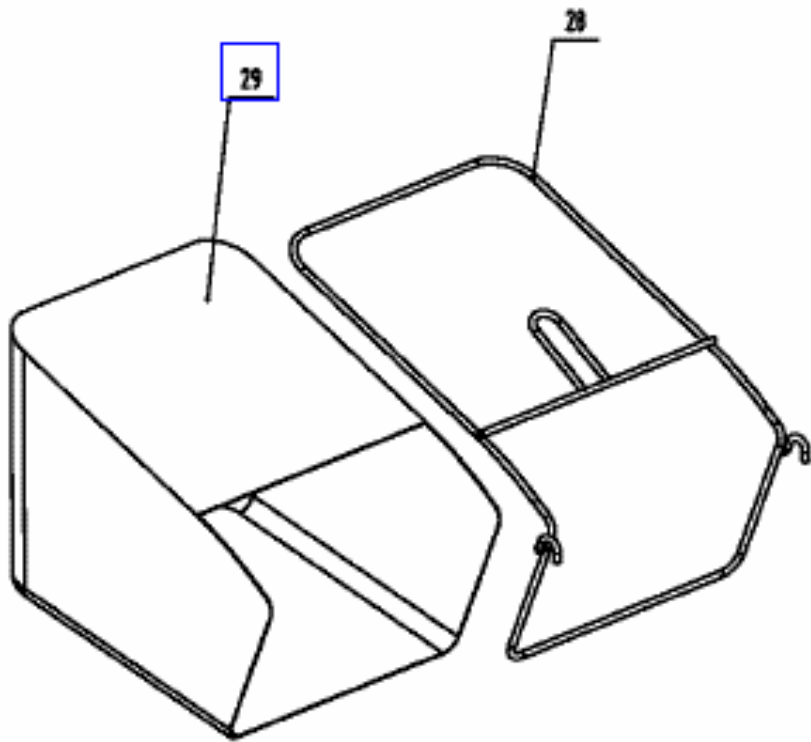
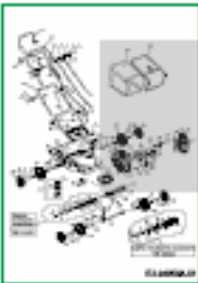
Gencod : 4008423857504

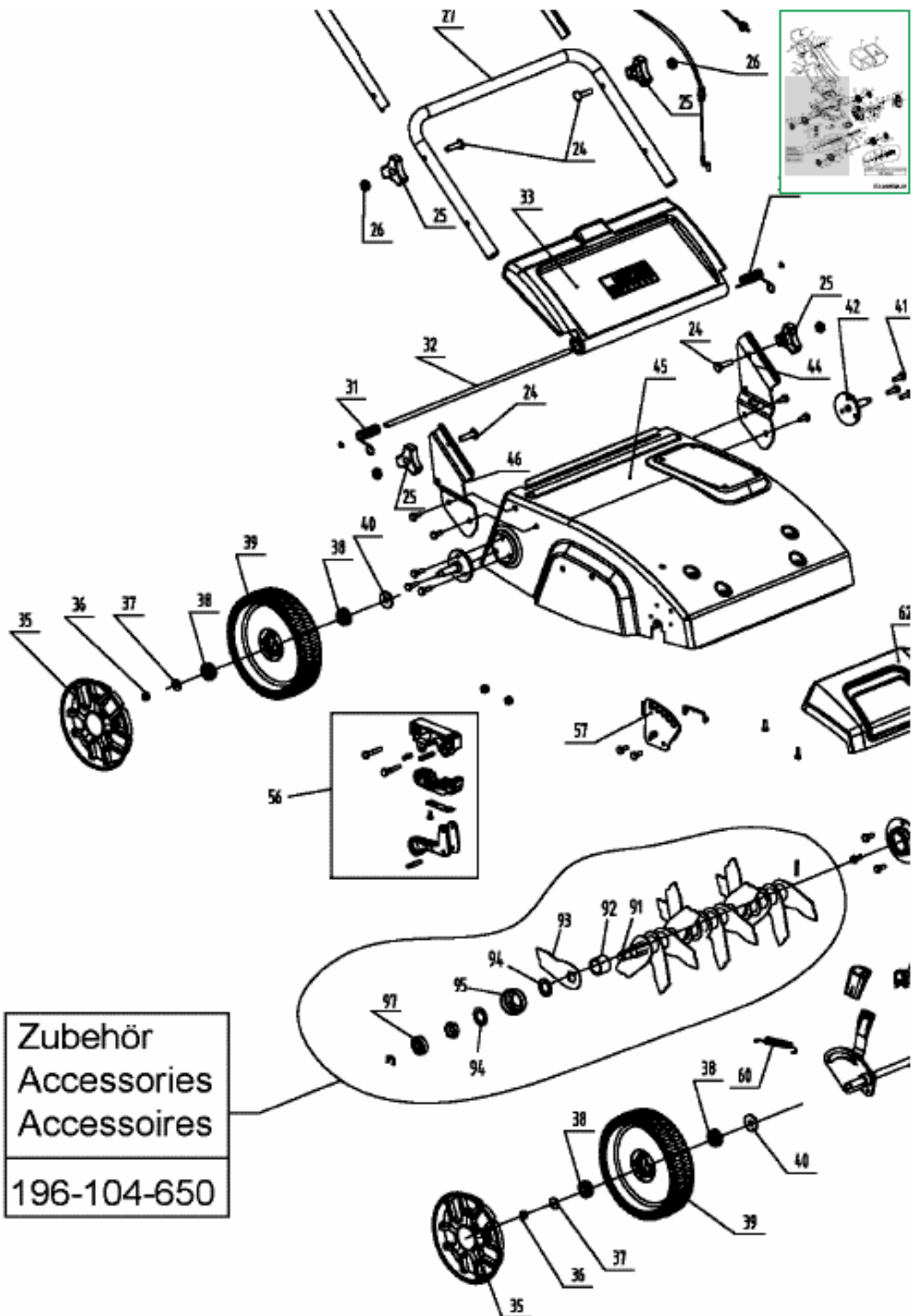


Fournisseur : MTD France

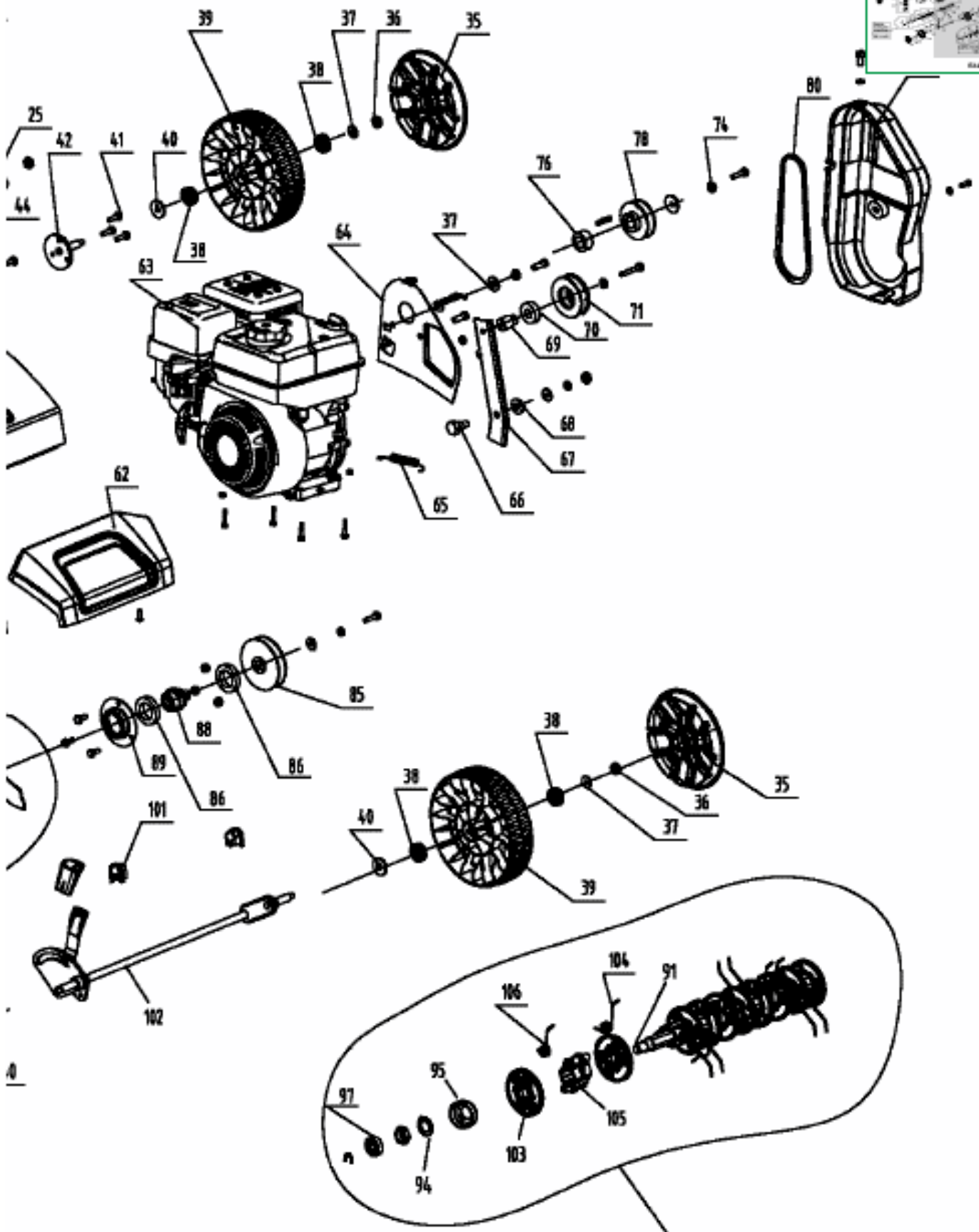
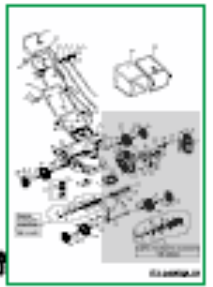
MACHINE DE BASE







Zubehör
 Accessories
 Accessoires
 196-104-650



Zubehör / Accessories / Accessoires
196-109-650

| Index | N° de Pièce | Qté | Désignation | Dimension |
|-------|-------------|-----|----------------------|------------------------------------|
| 1 | 747-06365 | 1 | 747-06365 | 747-06365 |
| 2 | 749-05188 | 1 | 749-05188 | 749-05188 |
| 3 | 707-06044 | 1 | 707-06044 | 707-06044 |
| 4 | 732-05197 | 1 | 732-05197 | 732-05197 |
| 5 | 731-10328 | 1 | 731-10328 | 731-10328 |
| 7 | 710-04691 | 1 | VIS:M6x55mm:DIN 7985 | FINISH:GELBVERZINKT:23.542 2.25 |
| 8 | 731-10320 | 1 | 731-10320 | 731-10320 |
| 9 | 731-10319 | 1 | 731-10319 | 731-10319 |
| 10 | 731-10321 | 1 | 731-10321 | 731-10321 |
| 11 | 746-05159 | 1 | 746-05159 | 746-05159 |
| 12 | 746-05160 | 1 | 746-05160 | 746-05160 |
| 13 | 712-04122 | 1 | 712-04122 | MTD SPEC-100015 24.3423.14 |
| 14 | 746-05158 | 1 | 746-05158 | 746-05158 |
| 23 | 749-05184 | 1 | 749-05184 | 749-05184 |
| 24 | 710-06216 | 5 | 710-06216 | 710-06216 |
| 25 | 731-10330 | 6 | 731-10330 | 731-10330 |
| 26 | 712-0690 | 6 | ÛCROU HEXAGONAL | FINISH:MTD701-01000 24.1421. 18 |
| 27 | 749-05186 | 1 | 749-05186 | 749-05186 |
| 28 | 664-05058 | 1 | 664-05058 | 664-05058 |
| 29 | 764-05044 | 1 | 764-05044 | 764-05044 |
| 31 | 732-05196 | 1 | 732-05196 | 732-05196 |
| 32 | 711-06271 | 1 | 711-06271 | 711-06271 |
| 33 | 731-10315 | 1 | 731-10315 | 731-10315 |
| 34 | 732-05195 | 1 | 732-05195 | 732-05195 |
| 35 | 734-05069 | 4 | 734-05069 | 734-05069 |

| Index | N° de Pièce | Qté | Désignation | Dimension |
|-------|-------------|-----|-----------------------------------|-----------------------------------|
| 36 | 712-0692 | 16 | ÛCROU HEXAGONAL 24.1426.1 8 | FINISH:SPEC-100015 24.1426.1 8 |
| 37 | 736-0700 | 8 | RONDELLE A8.4 DIN 125 | MTD SPEC-100015 24.6481.18 |
| 38 | 092.64.438 | 8 | 092.64.438 | 092.64.438 |
| 39 | 734-05079 | 4 | 734-05079 | 734-05079 |
| 40 | 736-0105 | 5 | RONDELLE CONIQUE | FINISH:MTD SPEC-100016 |
| 41 | 710-05192 | 6 | 710-05192 | 710-05192 |
| 42 | 638-05007 | 2 | 638-05007 | 638-05007 |
| 44 | 707-06037 | 1 | 707-06037 | 707-06037 |
| 45 | 681-05011 | 1 | 681-05011 | 681-05011 |
| 46 | 707-06038 | 1 | 707-06038 | 707-06038 |
| 56 | 631-05197 | 1 | 631-05197 | MIT BEFESTIGUNG |
| 57 | 707-06040 | 1 | 707-06040 | 707-06040 |
| 60 | 732-05192 | 1 | 732-05192 | 732-05192 |
| 62 | 731-10318 | 1 | 731-10318 | 731-10318 |
| 63 | 752Z161-VHA | 1 | MOTEUR 123 CC OHV HORIZ SH AFT | 161-VHA 3/4" SHORT SHAFT |
| 64 | 707-06039 | 1 | 707-06039 | 707-06039 |
| 65 | 732-05193 | 1 | 732-05193 | 732-05193 |
| 66 | 711-06270 | 1 | 711-06270 | 711-06270 |
| 67 | 707-06042 | 1 | 707-06042 | 707-06042 |
| 69 | 750-06219 | 1 | 750-06219 | 750-06219 |
| 70 | 26.1027.02 | 1 | ROULEMENT A BILLE | 6202-2RS |
| 71 | 756-05074 | 1 | 756-05074 | 756-05074 |
| 76 | 750-06218 | 1 | 750-06218 | 750-06218 |
| 78 | 756-05071 | 1 | 756-05071 | 756-05071 |
| 80 | 754-05057 | 1 | 754-05057 | 754-05057 |
| 82 | 731-10317 | 1 | 731-10317 | 731-10317 |

| Index | N° de Pièce | Qté | Désignation | Dimension |
|-------|-------------|-----|-------------|------------|
| 85 | 756-05072 | 1 | 756-05072 | 756-05072 |
| 86 | 092.64.439 | 2 | 092.64.439 | 092.64.439 |
| 88 | 711-06269 | 1 | 711-06269 | 711-06269 |
| 89 | 707-06043 | 1 | 707-06043 | 707-06043 |
| 91 | 711-06326 | 1 | 711-06326 | 711-06326 |
| 92 | 731-10498 | 15 | 731-10498 | 731-10498 |
| 93 | 742-05096 | 15 | 742-05096 | 742-05096 |
| 94 | 736-05090 | 6 | 736-05090 | 736-05090 |
| 95 | 731-10501 | 2 | 731-10501 | 731-10501 |
| 97 | 092.64.440 | 2 | 092.64.440 | 092.64.440 |
| 101 | 731-10329 | 2 | 731-10329 | 731-10329 |
| 102 | 638-05005 | 1 | 638-05005 | 638-05005 |
| 103 | 731-10505 | 10 | 731-10505 | 731-10505 |
| 104 | 732-05224 | 9 | RESSORT | 732-05224 |
| 105 | 731-10506 | 9 | 731-10506 | 731-10506 |
| 106 | 732-05222 | 8 | RESSORT | 732-05222 |