

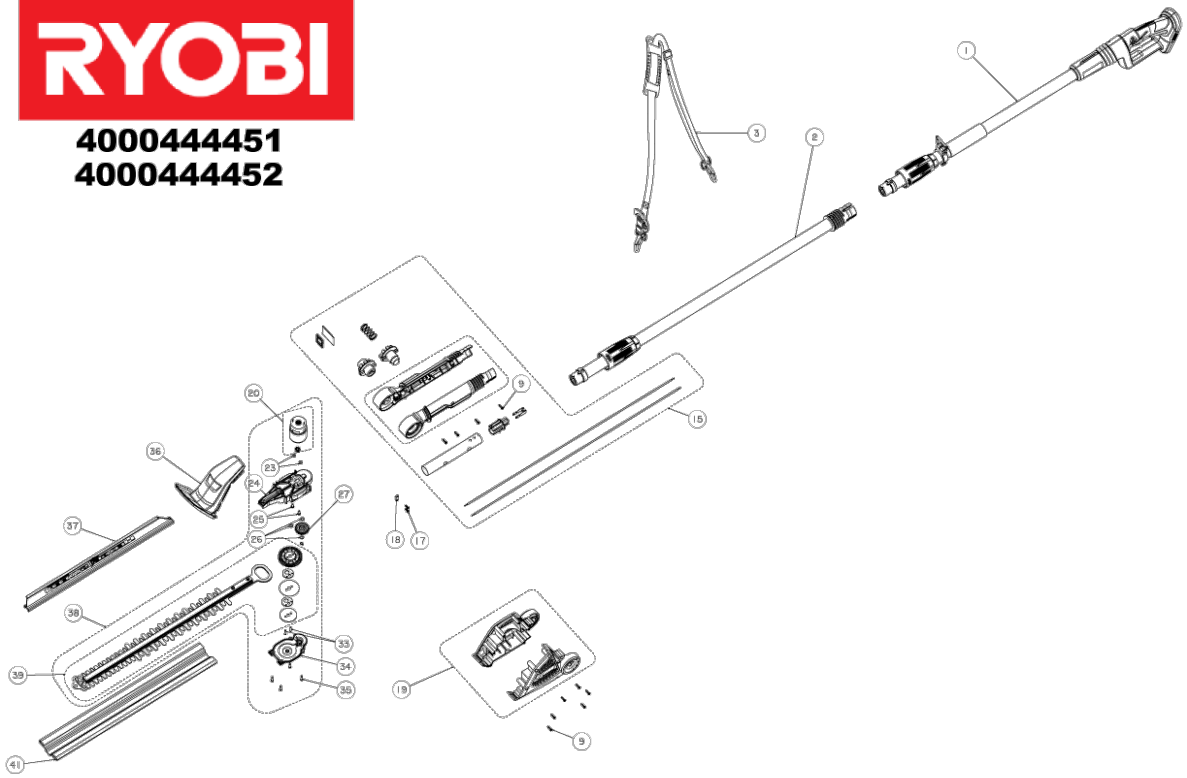
OPT1845 T.HAIES PERCHE 18V 0B

5133002523 - OPT1845 - 4000444452





4000444451
4000444452



Position	Quantité	Désignation	Référence	EAN
001	1	TUBE	5131033439	4002395161164
002	1	TUBE	5131033440	4002395161171
003	1	DRAGONNE	5131033441	4002395161188
009	10	VIS	5131035877	4058546152673
015	1	RACCORD SET	5131033442	4002395161195
017	2	VIS	5131033443	4002395161805
018	1	TOLE	5131035117	4058546146214
019	1	CARTER	5131033444	4002395161812
020	1	MOTEUR	5131033445	4002395161829
023	2	RONDELLE	5131033446	4002395161836
024	1	CARTER D'ENGRENAGE	5131033447	4002395161843
025	2	VIS	5131016153	4058546067519
026	3	RONDELLE OGS1820	5131034707	4058546143046
027	1	PIGNON	5131034709	4058546143060
033	2	GOUPILLE	5131033449	4002395161867
034	1	COUVERCLE D'ENGREN.	5131033634	4002395148806
035	4	VIS	5131000000	
036	1	COUVERCLE	5131033450	4002395161874
037	1	RAIL DE GUIDAGE	5131033451	4002395161881
038	1	MOTOR COMPLET	5131033452	4002395161898
039	1	LAME	5131033453	4002395162505
041	1	HOUSSE DE PROTECTION	5131033454	4002395162512