 International Purchases	GENERIC TECHNICAL SHEET		Revision date
	70X70CM STEEL FOLDING SQUARE TABLE		Prepared by Letright
P 1/6	IDENTIFICATION	International Quality Dept.	FOR Adeo

Version N° **Nov-19**Issuing By: **Lorin**date : **2019/11/4**

PRODUCTS IDENTIFICATION			
Supplier Reference(s) :	701.000.006	Supplier :	LETRIGHT
E-N 13 code	3276000400301	Factory(ies) / origin :	ZHEJIANG WHITE HORSE LEISURE PRODUCT CO.,LTD
Designation :	70X70CM STEEL FOLDING SQUARE TABLE		ZHEJIANG LISHUI CITY
Colors / finishing :	COLOR:DARK GREY; FINISHING: POWDER COATING	1st date on the market :	
MOD :	NATERIAL		

TCF CONTENT		
Technical sheet	<input checked="" type="checkbox"/>	Q5
Product conformity lab tests	<input type="checkbox"/>	Q3
Conformity declarations	<input type="checkbox"/>	Q1/2
REACH test report		Q2
Other test report		Q3
Exploded view		Q6
Assembly instruction		Q8
Maintenance instruction		Q8
Warranty leaflet		Q8
Technical drawings		Q6
Golden Sample		
Product Marking / CE marking		Q8/Q3
Shipping marks		Q8
Packaging Packing Process file		Q7
Palletization plan		Q7
Other packaging documents		Q7
Artworks		Q8
		Q7
Packaging tests		Q8



	L (cm)	W (cm)	H (cm)	NW (kg)	Assembling type	FSC / PEFC	TFT	CE marking	Batch number on the product	Registered products	
Type 1	69.5	69.5	72	10.2	KIT Assembled	no	no	no	no	no	no
Type 2					KIT Assembled						
Type 3					KIT Assembled						
Type 4					KIT Assembled						
t [+/-]	+/- 2%	+/- 2%	+/- 2%								

PRODUCT COMPOSITION DETAILS

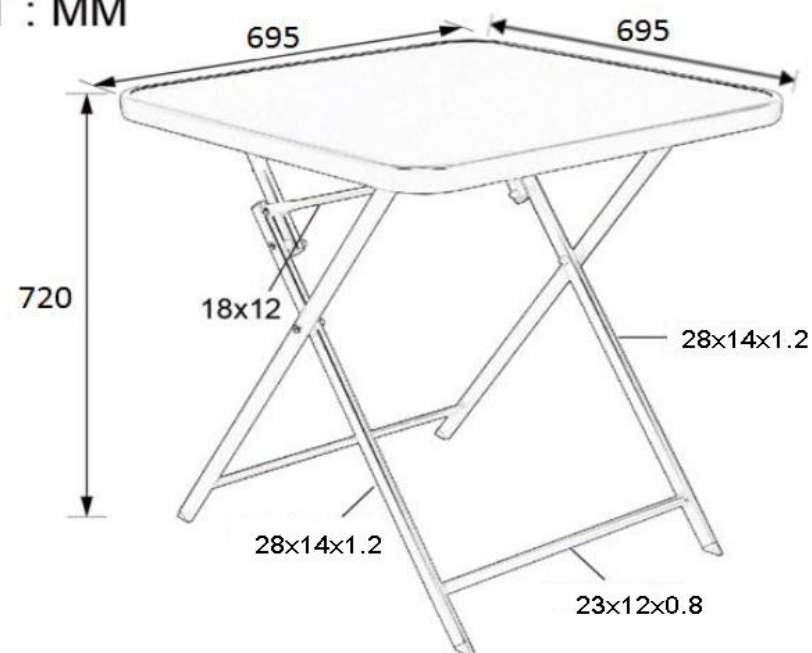
Code	Type of elements	QTY	Material		Covering / veneer / finishing	
			Type : for wooden parts don't forget to fill in the sheet 4	Characteristics / dimensions		
1	TABLE TOP	1		TEMPERED GALSS,5MM		SILK PRINTED
2	TABLE FRAME	1		STEEL		POWDER COATING
3	LEG TUBE	2		STEEL		POWDER COATING
4	LEG SUPPORTING TUBE	1		STEEL		POWDER COATING
5	GALVANIZED SCREW 1	4		STEEL. M6X25MM		GALVANIZED IN BLACK
6	GALVANIZED SCREW 2	2		STEEL. M6X50MM		GALVANIZED IN BLACK
7	GALVANIZED SCREW 3	2		STEEL. M6X40MM		GALVANIZED IN BLACK
8	NUTS	8		STEEL		GALVANIZED IN BLACK
9	WASHER	8		STEEL		GALVANIZED IN BLACK
10	FOOT CAP	4		PLASTIC PP		BLACK
11	SCREW CAP	8		PLASTIC PE		BLACK
12	NUTS CAP	8		PLASTIC PE		BLACK

Exploded view / Numbered view (or photo)

Maxi loads on the Tops, shelves and extractables

Technical Drawing

701.000.006
UNIT : MM



TOLERANCE: +/-2%
SIZE: L695xW695xH720
MATERIAL: STEEL W/POWDER COATING/SILK PRINTED GLASS TOP 5MM THICKNESS

EXPLODED DRAWING

