

**STEEL RECTANGULAR GLASS TABLE  
110X70CM**

PRODUCT COMPOSITION DETAILS

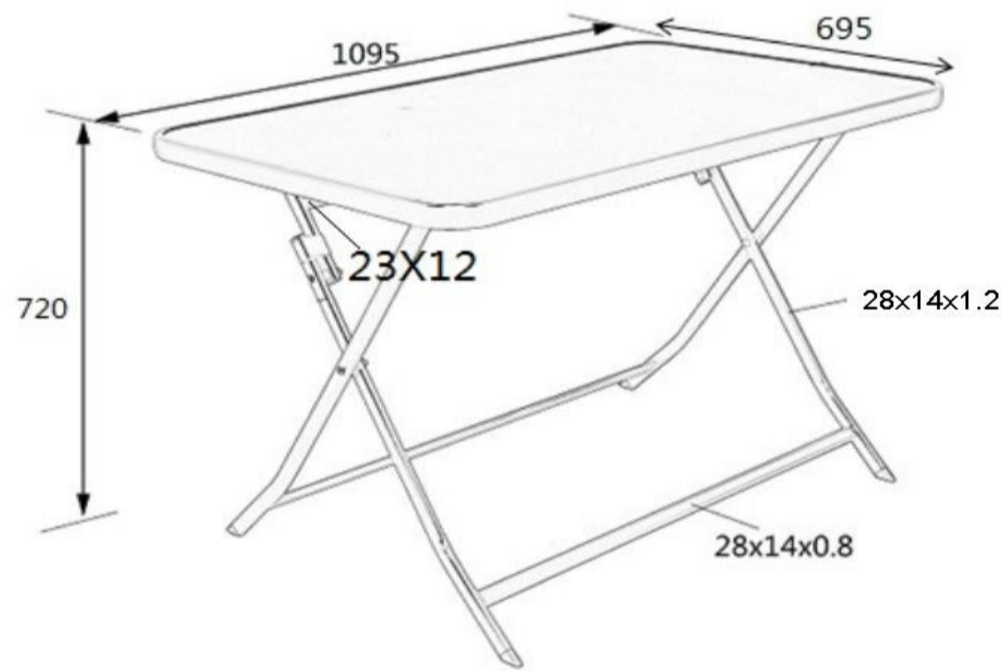
Code	Type of elements	QTY	Material		Covering / veneer / finishing	
			Type : for wooden parts don't forget to fill in the sheet 4	Characteristics / dimensions		
1	TABLE TOP	1		TEMPERED GALSS,5MM		SILK PRINTED
2	TABLE FRAME	1		STEEL		POWDER COATING
3	LEG TUBE	2		STEEL		POWDER COATING
4	LEG SUPPORTING TUBE	1		STEEL		POWDER COATING
5	GALVANIZED SCREW 1	4		STEEL. M6X25MM		GALVANIZED IN BLACK
6	GALVANIZED SCREW 2	2		STEEL. M6X50MM		GALVANIZED IN BLACK
7	GALVANIZED SCREW 3	2		STEEL. M6X45MM		GALVANIZED IN BLACK
8	NUTS	8		STEEL		GALVANIZED IN BLACK
9	WASHER	8		STEEL		GALVANIZED IN BLACK
10	FOOT CAP	4		PLASTIC PP		BLACK
11	SCREW CAP	8		PLASTIC PE		BLACK
12	NUTS CAP	8		PLASTIC PE		BLACK

Exploded view / Numbered view (or photo)

Maxi loads on the Tops, shelves and extractables

Technical Drawing

741.119.000  
UNIT:MM



TOLERANCE: +/-2%  
SIZE: W1095/D695/ H720  
MATERIAL: STEEL W/POWDER COATING/SILK PRINTED GLASS TOP 5MM THICKNESS

EXPLODED DRAWING

