



International Purchases

P 2/6

**GENERIC TECHNICAL SHEET**

**STEEL FOLDING CHAIR**

3276007396744/3276007396720/3276007396706  
 3276000400547/3276000400530/3276007267976

**COMPOSITION**

International Quality Dept.

Revision date

Prepared by  
**Letright**

FOR  
**Adeo**

**PRODUCT COMPOSITION DETAILS**

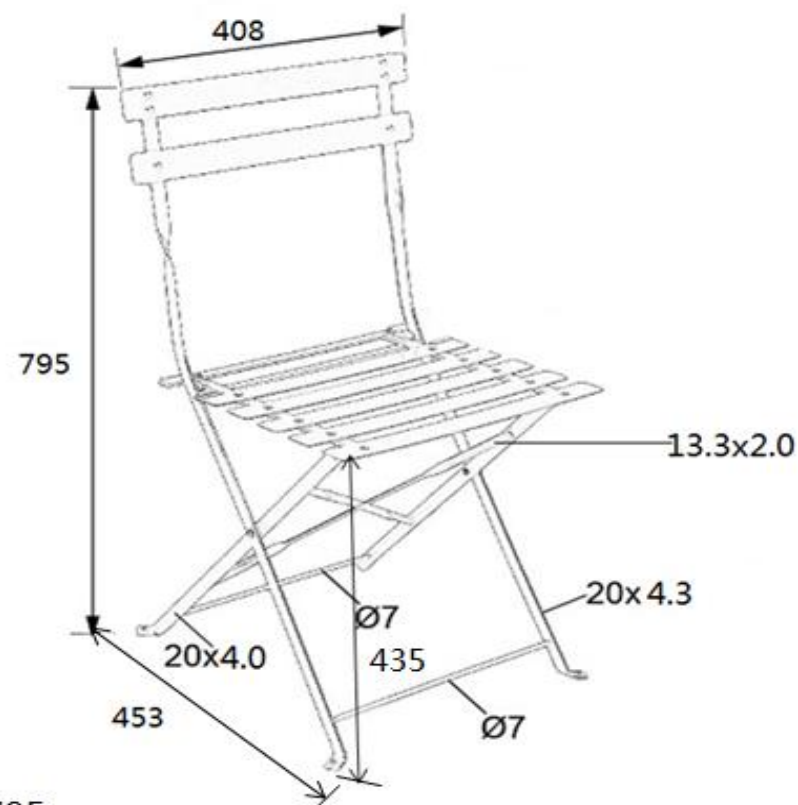
Code	Type of elements	QTY	Material		Covering / veneer / finishing	
			Type : for wooden parts don't forget to fill in the sheet 4	Characteristics / dimensions		
1	Back slat	2		STEEL		E-COATING
2	Seat slat	5		STEEL		E-COATING
3	Leg tube	2		STEEL		E-COATING
4	SEAT TUBE	1		STEEL		GALVANIZED IN WHITE
5	Nut	4		STEEL		GALVANIZED IN WHITE
6	SCREW	4		STEEL,M5X15		GALVANIZED IN WHITE
7	Seat cap	4		PLASTIC PP		WHITE
8	Leg cap	4		PLASTIC PP		WHITE

**Exploded view / Numbered view (or photo)**

**Maxi loads on the Tops, shelves and extractors**

TECHNICAL DRAWING

735.000.001  
 UNIT : MM



TOLERANCE: +/-2%  
 SIZE: W408XD453XH795  
 MATERIAL: STEEL POWDER COATING W/E - COATING

EXPLODED DRAWING

