

STEEL FOLDING CHAIR

PRODUCT COMPOSITION DETAILS

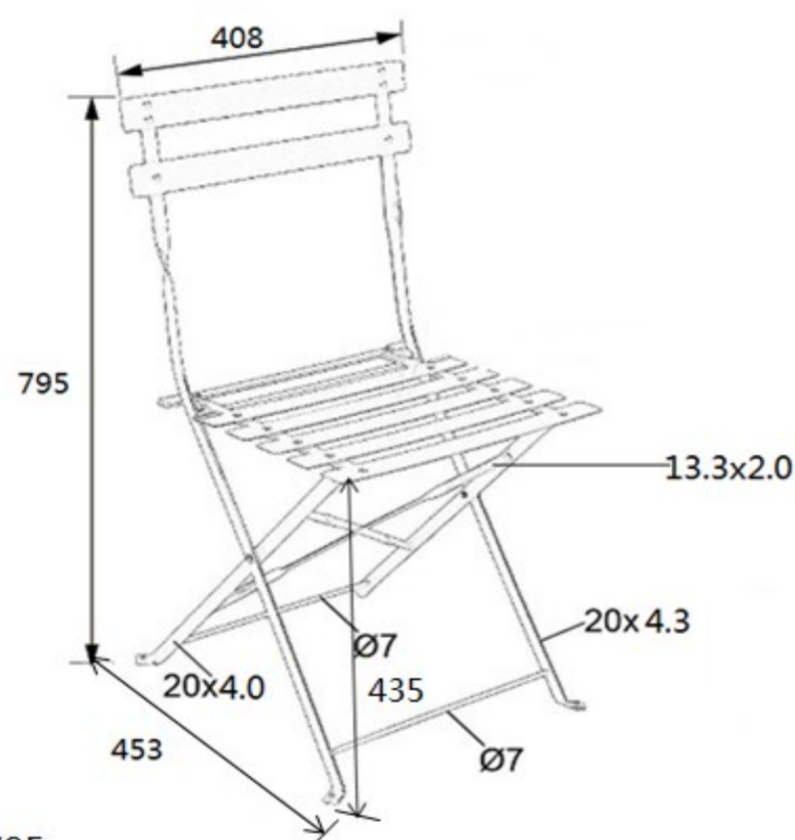
Code	Type of elements	QTY	Material		Covering / veneer / finishing	
			Type : for wooden parts don't forget to fill in the sheet 4	Characteristics / dimensions		
1	Back slat	2		STEEL		E-COATING
2	Seat slat	5		STEEL		E-COATING
3	Leg tube	2		STEEL		E-COATING
4	SEAT TUBE	1		STEEL		GALVANIZED IN WHITE
5	Nut	4		STEEL		GALVANIZED IN WHITE
6	SCREW	4		STEEL,M5X15		GALVANIZED IN WHITE
7	Seat cap	4		PLASTIC PP		WHITE
8	Leg cap	4		PLASTIC PP		WHITE

Exploded view / Numbered view (or photo)

Maxi loads on the Tops, shelves and extract

TECHNICAL DRAWING

735.000.001
UNIT : MM



TOLERANCE: +/-2%
SIZE: W408XD453XH795
MATERIAL: STEEL POWDER COATING W/E - COATING

EXPLODED DRAWING

