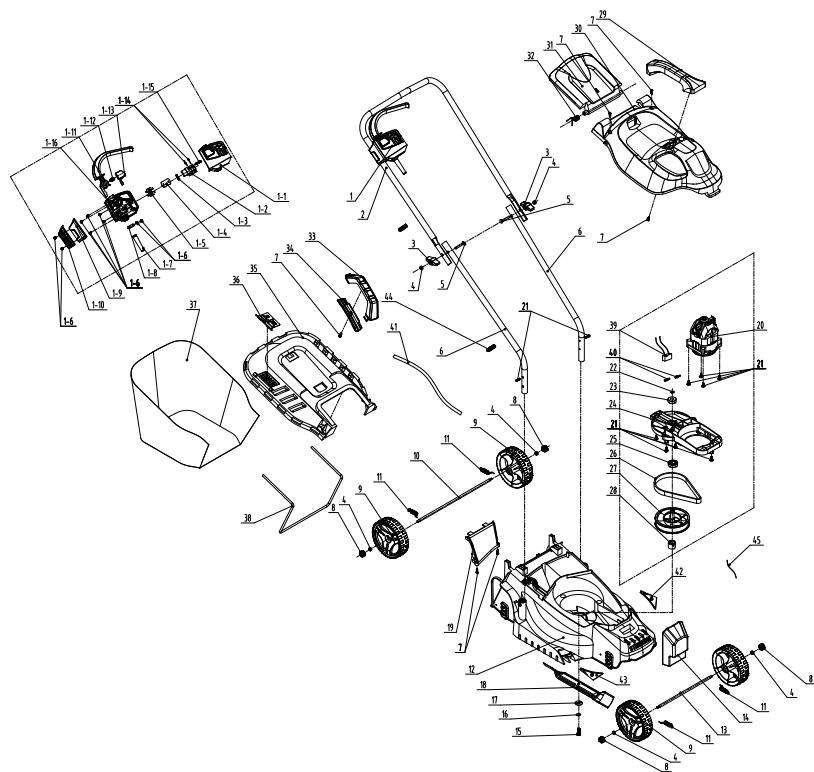


10. EXPLODED VIEW WITH PART LIST



FR
ES
PT
IT
EL
PL
RU
KZ
UA
RO
EN

10. EXPLODED VIEW WITH PART LIST

POS	PART NUMBER	DESCRIPTION	NUM	POS	PART NUMBER	DESCRIPTION	NUM
1	8440-512002-00	Switch box assembly	1	16	8W5-08B	Spring washer	1
1-1	8020-512007-0000120	Switch box upper cover	1	17	8325-532405-0000000	Washer	1
1-2	8042-660102-0000011	Switch	1	18	A021040-009-00	blade	1
1-3	8342-463002-0000000	Spring	1	19	A021040-008-00	air flow guide	1
1-4	8187-512401-0100120	Fix plate	1	20	8440-513011-0061510	Motor assy'	1
1-5	8421-512101-0101610	Plug	1	21	85NAB50-20D	Flange face self-tapping Screw	13
1-6	85JAB40-16D	Screw	9	22	8CC-09B	Axis with circlips	1
1-7	8332-532101-01	Cable sleeve	1	23	8BC-260908-ST03	629Z Bearing	1
1-8	8184-302201-0001710	Cable clamp	1	24	8292-512001-01	Motor holder	1
1-9	8020-512011-0000120	Upper cover	1	25	8BC-321509-ST03	6002 bearing	1
1-10	8020-512012-0000120	Lower cover	1	26	8345-512002-00	Belt	1
1-11	8044-512010-00	Switch trigger	1	27	8122-512001-00	Big belt wheel	1
1-12	8342-481501-0000000	Spring	1	28	8334-512001-00	Shaft sleeve for blade	1
1-13	8020-512009-0166810	Switch button	1	29	A021040-003-00	handle on motor cover	1
1-14	8413-513101-0000010	Connecting wire	1	30	A021040-002-00	Upper motor cover	1
1-15	85NAB3-08D	Screw	2	31	A021040-004-00	Rear cover	1
1-16	8020-512008-01	Switch box lowerer cover	1	32	A021040-016-00	Torsional spring	1
2	A021040-013-00	Upper handle bar	1	33	8001-512002-00	Grass box handle	1
3	8313-512001-0066810	knob	2	34	8020-512006-00	Grass box lower handle	1
4	8NH-06D	Nut	6	35	A021040-012-00	Grass box upper cover	1
5	8206-660501-0000000	bolt	2	36	8181-513001-00	The indicator board	1
6	A021040-014-00	Lower handle bar	2	37	A021040-010-00	Collection bag	1
7	8206-000001-00	Screw	1	38	A021040-011-00	Collection bag bracket	1
8	A021040-015-00	knob	4	39	A021040-019-00	Connecting wire assembly	1
9	8121-512001-00	wheel	4	40	239-0006	Male terminal	1
10	A021040-006-00	Rear axle	1	41	A021040-034-00	cable wire	1
11	8342-510702-03	high tension spring	4	42	A021040-017-00	guide plate	1
12	A021040-001-00	Housing	1	43	A021040-018-00	guide plate	1
13	A021040-005-00	Front axle	1	43	8416-481501-0000010	capacitance	1
14	A021040-007-00	Ballast	1	44	8007-512001	Cable clip	2
15	8206-511001-0100000	Blade bolt	1	45	236-1017	cable tie	1