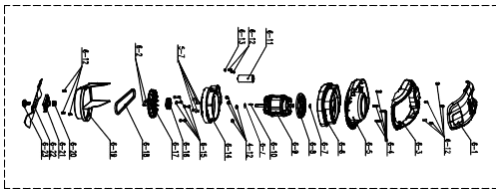
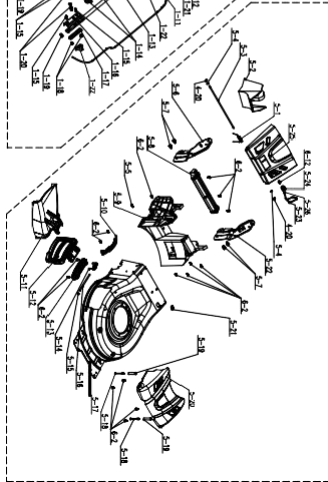
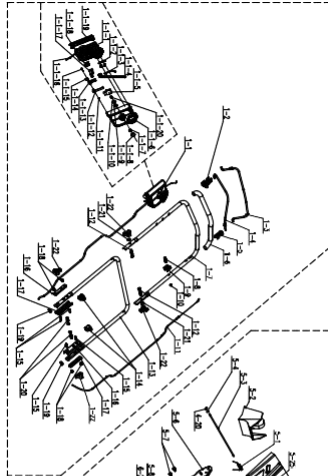
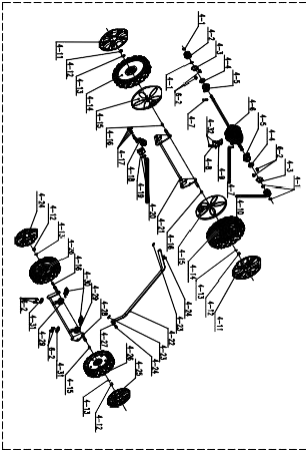
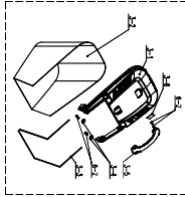


EXPLODED VIEW WITH PART LIST



EXPLODED VIEW WITH PART LIST

POS	PART NUMBER	DESCRIPTION	NUM	POS	PART NUMBER	DESCRIPTION	NUM
1-1	A021038-031-00	Switch box assembly	1	4-18	A021038-004-00	handlebar	1
1-1-1	A021039-007-00	Switch box lower cover	1	4-19	8321-910601-00	spring	1
1-1-2	A021039-021-00	hook plate	1	4-20	8NH-05D	nut	6
1-1-3	8370-517801-01	switch dragline	1	4-21	A021038-003-00	Wheel shaft Assy.	1
1-1-4	8343-510801-02	Trigger hook	1	4-22	A021038-007-00	connecting rod	1
1-1-5	8042-660102-00	Switch	1	4-23	8091-911601-01	R pin	2
1-1-6	A021039-006-00	Switch box upper cover	1	4-24	8086-911601-00	pin	2
1-1-7	8342-510505-00	Button spring	1	4-25	8020-910604-00	wheel cover	2
1-1-8	8312-519201-00	Switch button	1	4-26	8121-510906	front wheel Assy	2
1-1-9	8208-519201-00	Seal ring	1	4-27	8202-754101-00	Gasket	1
1-1-10	8183-519201-00	Button bottom plate	1	4-28	A025005-019-00	Wheel shaft Assy.	1
1-1-11	8NH-03D01	Nut	1	4-29	8141-519004-00	fixing seating	2
1-1-12	8183-510906-00	hook plate	1	4-30	8342-519201-00	tension spring	2
1-1-13	8183-510902-02	guide board	1	4-31	8187-519001	pressplate	2
1-1-14	8342-510903-00	torsional spring	1	4-32	8SJAN50-35D	screw	2
1-1-15	8SIAD03-25	Screw	1	5-1	8342-517702-00	spring	1
1-1-16	8422-517901-00	Cable wire	1	5-2	8301-519001-00	Rear block	1
1-1-17	A021039-017-00	Support plate	1	5-3	8081-519209-00	axle	1
1-1-18	A021039-029-00	Plug connecting wire assembly	1	5-4	8WF-05B01	Gasket	2
1-1-19	A021039-008-00	Switch box fix plate	1	5-5	8SJAB50-08	screw	1
1-1-20	8SNAB40-16	Screw	9	5-6	8321-519202	auricle	1
1-2	A021038-019-00	fix plate	1	5-7	85QDD08-16	bolt	8
1-3	A021038-021-00	switch lever	1	5-8	8141-519005-00	fixing seating	1
1-4	A021038-018-00	self-drive lever	1	5-9	A025004-006-00	pedestal	1
1-5	A021038-020-00	fix plate	1	5-10	A021038-002-00	plate	1
1-6	8332-910101-00	Handle foam sleeve	1	5-11	8020-519004-00	side row	1
1-7	A021038-017-00	upper handle	1	5-12	8020-519003-00	shroud	1
1-8	85FDD06-35	bolt	1	5-13	8141-519003-00	fixing seating	1
1-9	8141-911602-01	fix seat	1	5-14	8342-911602-00	torsional spring	1
1-10	8NE-06	nut	1	5-15	8CE-06Q	E-ring	1
1-11	A021038-024-00	pull cable Assy'	1	5-16	8081-911601-00	axle	1
1-12	A021038-022-00	bolt	2	5-17	A021038-026-00	deck	1
1-13	A021038-016-00	lower handle	1	5-18	8SJAB50-60	screw	2
1-14	8007-517001-00	cable clip	2	5-19	8334-911603-00	Gasket	2
1-15	8091-519202-00	pin	4	5-20	8020-519202-00	decorative cover	1
1-16	8141-519207-00	fix seat	2	5-21	8204-911810-01	clip	1
1-17	8331-519202	sleeve	2	5-22	8321-519201-00	auricle	1
1-18	8SIGD05-14	screw	4	5-23	8292-519001-00	bracket	1
1-19	8301-911601-00	plug	2	5-24	8187-519004-00	pressplate	1
1-20	A021038-023-00	bolt	2	5-25	8020-519002-00	shroud	1
1-21	8341-514201-00	plastic pad	2	5-26	8332-911601-00	rubber sleeve	1
1-22	8313-513701-01	knob	4	5-27	8332-911601-00	rubber sleeve	1
3-1	A025004-002-00	grass box upper cover	1	6-1	A021038-015-00	housing upper cover	1
3-2	A021038-025-00	grass bag	1	6-2	8SNAB50-16	screw	24
3-3	8292-519203	grass bracket	1	6-3	A021038-014-00	housing lower cover	1
3-4	8202-462203-00	gasket	2	6-4	8SJAB40-30D	screw	4
3-5	A025004-003-00	grass box handle	1	6-5	A021038-013-00	Housing fixing seat	1
3-6	8181-513001-01	indicator	1	6-6	A021038-012-00	motor cover	1
4-1	8CC-12B	circlip	4	6-7	8CC-17	spring	2
4-2	8123-910101-00	Left gear	1	6-8	8403-517901-00	motor fan blade	1
4-3	8CC-34B	circlip	2	6-9	A021038-008-00	motor Assy	1
4-4	8210-910602-00	stamping bearing	1	6-10	8205-517901-00	flat key	1
4-5	A025005-014-00	support plate	2	6-11	A021038-009-00	capacitor	1
4-6	8146-519201-00	Single speed self-driver	1	6-12	8206-000001-00	screw	11
4-7	8091-910101-00	Gear pin	2	6-13	8184-516201-00	press plate	1
4-8	8202-000004-00	pressplate	1	6-14	8141-517901	motor fixing seat	1
4-9	8186-519201-00	plate	1	6-15	85FDD08-35	bolt	4
4-10	8123-910102-00	right gear	1	6-16	8122-517901-00	belt wheel	1
4-11	A021038-006-00	wheel cover	2	6-17	8403-517902-00	blade fan	1
4-12	8NH-08D	Nut	8	6-18	8345-910702-00	belt	1
4-13	8WF-08D	Gasket	4	6-19	A021038-010-00	belt cover	1
4-14	A021038-005-00	wheel	2	6-20	8334-517901-01	axle sleeve	1
4-15	8020-517903-00	wheel cover	2	6-21	8142-517902-00	blade fixing seat	1
4-16	8224-510401-00	axle sleeve	4	6-22	A021038-027-00	blade	1
4-17	8SKCD05-14D	screw	4	6-23	8202-517902-00	blade screw	1