



International Purchases

GENERIC TECHNICAL SHEET

PRATO STEEL SLING FOLDING ARMCHAIR

P 2/6

COMPOSITION

International Quality Dept.

Revision date

Prepared by
Letright

FOR
Adeo

PRODUCT COMPOSITION DETAILS

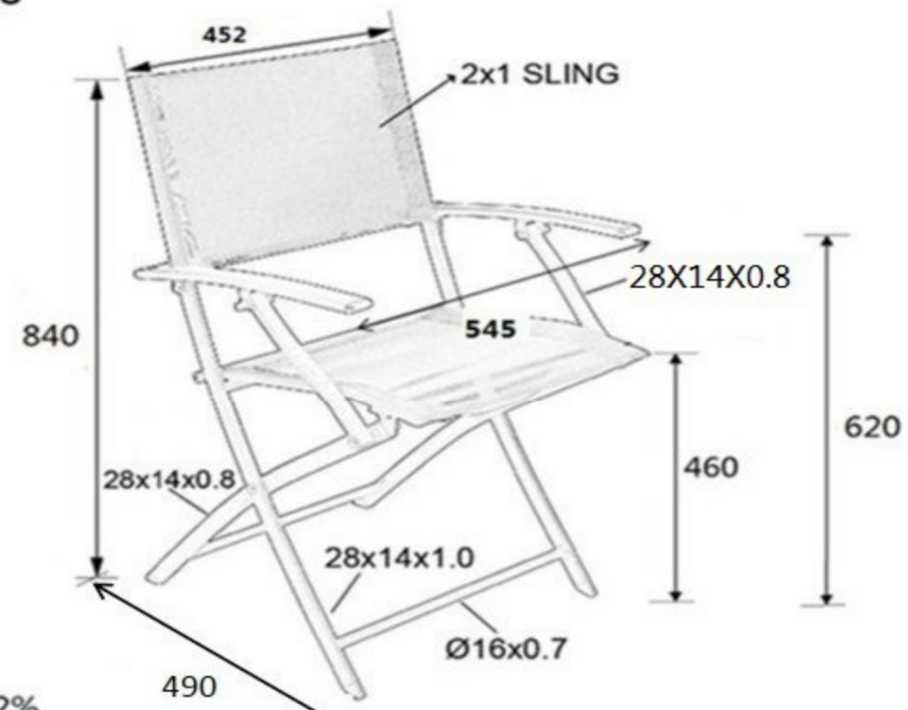
Code	Type of elements	QTY	Material		Covering / veneer / finishing	
			Type : for wooden parts don't forget to fill in the sheet 4	Characteristics / dimensions		
1	BACK CLOTH	1		TEXTILENE 2X1		SEWING
2	SEAT CLOTH	1		TEXTILENE 2X1		SEWING
3	LEG TUBE	2		STEEL		POWDER COATING
4	AMR TUBE	2		STEEL		POWDER COATING
5	BACK SUPPORTING TUBE	1		STEEL		POWDER COATING
6	ARM SUPPORTING TUBE	2		STEEL		POWDER COATING
7	SEAT FRAME	1		STEEL		POWDER COATING
8	GALVANIZED SCREW 1	2		STEEL,M6X18MM		GALVANIZED IN BLACK
9	GALVANIZED SCREW 2	2		STEEL,M6X60MM		GALVANIZED IN BLACK
10	GALVANIZED SCREW 3	2		STEEL,M6X40MM		GALVANIZED IN BLACK
11	NUTS	6		STEEL		GALVANIZED IN BLACK
12	WASHER	6		STEEL		GALVANIZED IN BLACK
13	FOOT CAP	4		PLASTIC PP		BLACK
14	SCREW CAP	6		PLASTIC PE		BLACK
15	NUTS CAP	6		PLASTIC PE		BLACK
16	RIVET	2		STEEL		GALVANIZED
17	ARM CAP	2		PLASTIC PP		BLACK

Exploded view / Numbered view (or photo)

Maxi loads on the Tops, shelves and extractables

TECHNICAL DRAWING

731.033.000
UNIT : MM



TOLERANCE: +/-2%
SIZE: D490XW545XH840
MATERIAL: STEEL W/POWDER COATING/TEXTILENE

EXPLODED DRAWING

