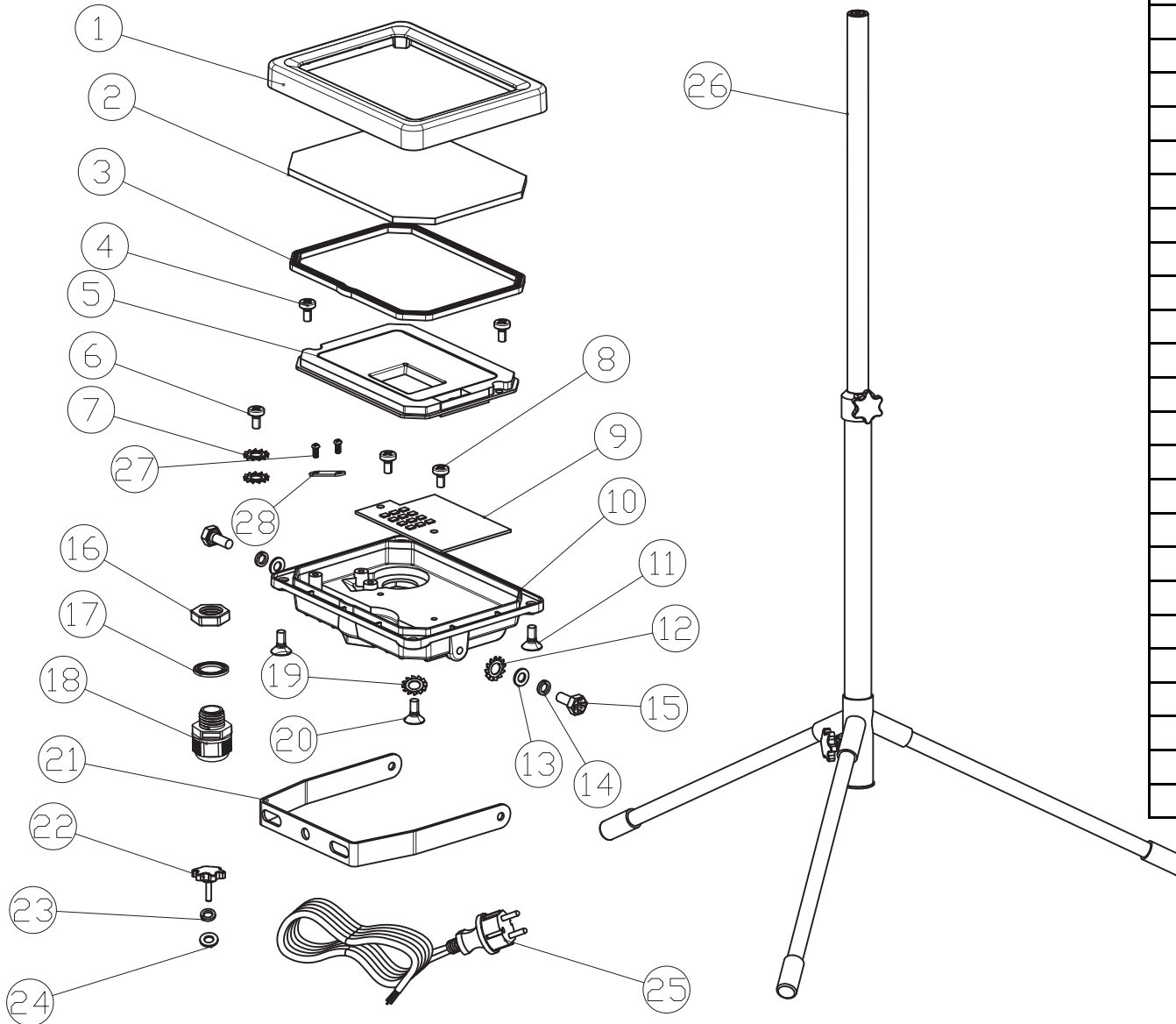


# 2120A-10



NO	Name	Quantity
1	Frame	1
2	Tempered glass	1
3	Sealing ring	1
4	Screws_M3*5	2
5	Reflector panel	1
6	Screws_M3*5	1
7	Tooth pad	2
8	Screws_M3*5	2
9	Lamp board	1
10	Lamp body	1
11	Screws_M4*8	3
12	Tooth pad	1
13	Flat gasket	2
14	Spring washer	2
15	Screws_M4*12	2
16	Nut	1
17	Gasket	1
18	Waterproof joint	1
19	Tooth pad	1
20	Screws_M4*10	1
21	Fixed bracket	1
22	Screws_M6*35	1
23	Spring washer	1
24	Flat gasket	1
25	Cable H05RON-F3G1.0+VDEplug	1
26	Tripod 1.1M	1
27	Screws_M3*6	2
28	Cable ramp	1