

1

2

3

4

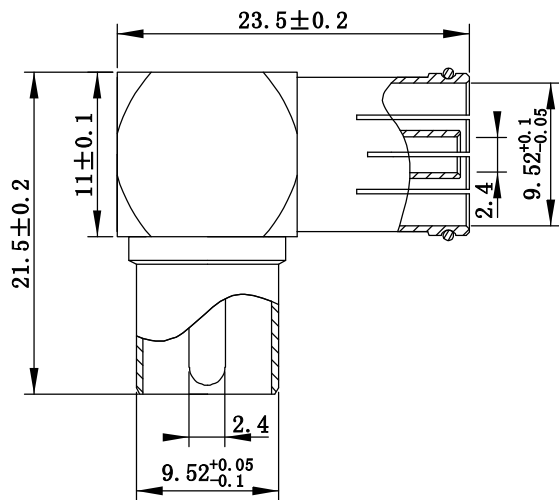
5

6

NO.	REV	DESCRIPTION	DATE

A

A



Nickel plated Copper

B

B

FNAME

C

C

D

D

COMP ELECTRONICS CO., LTD.		C'OMP	9.52MM MALE TO 9.52MM FEMALE PLUG,ANGLE TYPE,COPPER		
PART NO.		CPC09-008B	customer P/N		COMP P/N
Draw	WZC	CONSUMER			
Check		DATE	2018.07.14	REV.	A
APP.		PAGE 1 of 1	UNIT	mm	SCALE 2:1

1

2

3

4

5

6