

1

2

3

4

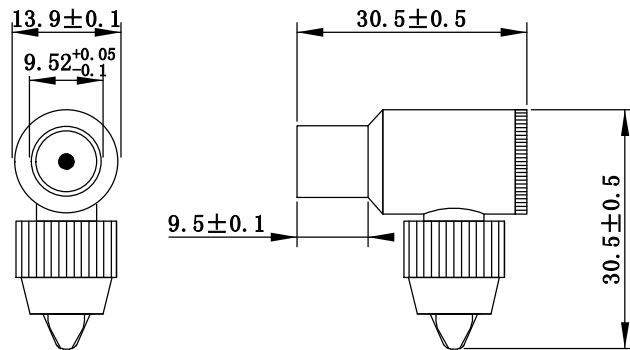
5

6

NO.	REV	DESCRIPTION	DATE

A

A



FNAME  
B

B

Nickel plated Zinc alloy

C

C

D

D

<b>COMP ELECTRONICS CO., LTD.</b>		<b>C'OMP</b>	9.52mm Bended Male TV CONNECTOR, METAL HOLDER,ZINC		
<b>PART NO.</b>		CPC09-008	<b>customer P/N</b>		
<b>Draw</b>		WZC	<b>CONSUMER</b>		
<b>Check</b>		<b>DATE</b>	2018.07.16	<b>REV.</b>	A
<b>APP.</b>		<b>PAGE 1 of 1</b>	<b>UNIT</b>	mm	<b>SCALE</b> 1:1

1

2

3

4

5

6