

1

2

3

4

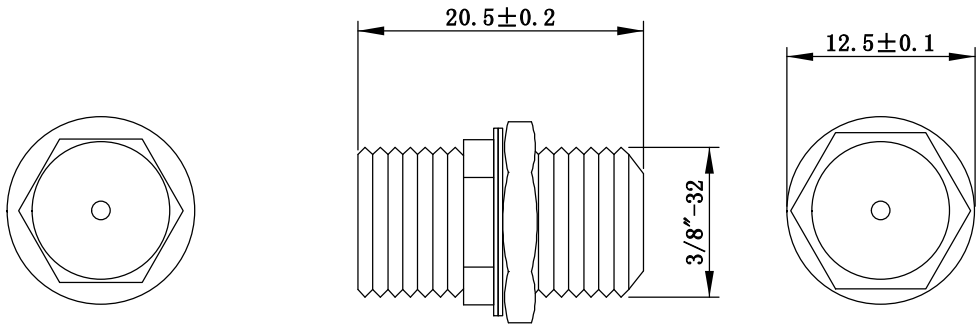
5

6

NO.	REV	DESCRIPTION	DATE

A

A



Gasket: 2PCS Nut:1PC

Nickel plated Zinc alloy

B


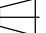
B

C

C

D

D

COMP ELECTRONICS CO., LTD.		C'OMP	F FEMALE TYPE TO F FEMALE TYPE CONNECTOR		
PART NO.		CP21-01-065A	customer P/N		COMP P/N
Draw	WZC	CONSUMER	 		
Check		DATE	2018.07.18	REV.	A
APP.		PAGE 1 of 1	UNIT	mm	SCALE 2:1

1

2

3

4

5

6

FNAME