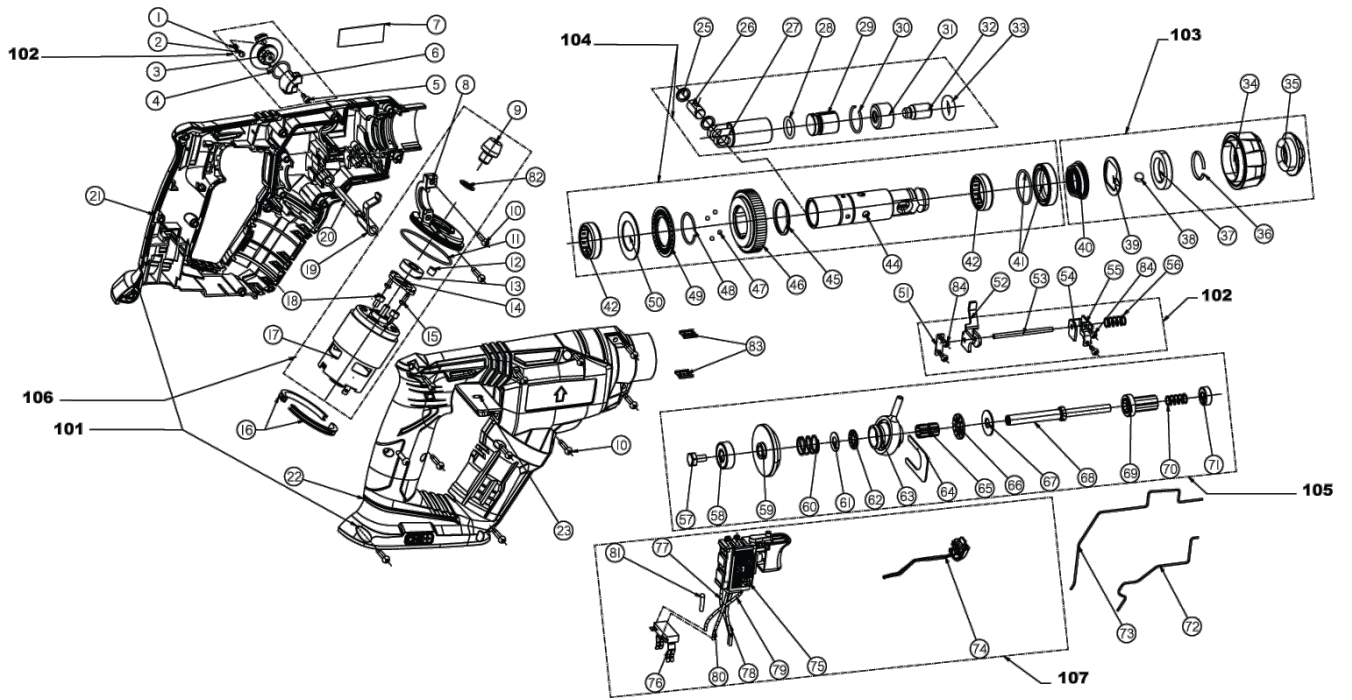


# R18SDS-0 18V PERFORATEUR

5133002305 - R18SDS-0 18V - 4000444301





Position	Quantité	Désignation	Référence	EAN
	1	GAINÉ PASSE CABLE	5131029490	4058546002046
	1	FERRITE BEAD	5131032921	4058546139575
001	1	RESSORT	5131000000	
002	1	CLIQUET, BOUTON DE REGLAGE	5131000000	
003	1	BOUTON DE REGLAGE	5131032853	4058546138905
004	1	JOINT THORIQUE	5131032854	4058546138912
005	1	VIS	5131032862	4058546138998
006	1	ELEMENT DE REGLAGE	5131032855	4058546138929
007	1	ETIQUETTE	5131000000	
008	1	SUPPORT	5131032908	4058546139445
009	1	PIGNON	5131032907	4058546139438
010	13	VIS M3.5X14MM	5131000000	
011	1	JOINT THORIQUE	5131032909	4058546139452
013	1	ROULEMENT A BILLES	5131032913	4058546139490
014	1	SUPPORT	5131032911	4058546139476
015	2	VIS	5131032912	4058546139483
016	2	TAMPON E.CAOUTCHOUC	5131032848	4058546138851
017	1	DC-MOTEUR	5131032906	4058546139421
018	2	VIS	5131031730	4058546193263
019	1	LEVIER D.DECLENCHEM	5131032850	4058546138875
020	1	GOUPILLE	5131032851	4058546138882
023	1	BOUTON INVERSEUR	5131032845	4058546138820
024	1	ETIQUETTE	5131032920	4058546139568
025	2	RONDELLE	5131032878	4058546139148
026	1	GOUPILLE	5131032877	4058546139131
027	1	CYLINDRE	5131032876	4058546139124
028	1	JOINT THORIQUE	5131032880	4058546139162
029	1	STRIKER	5131032879	4058546139155
030	1	CLIPS DE RETENUE	5131032881	4058546139179
031	1	DOUILLE	5131032883	4058546139193
032	1	ROTOR ENCLUME	5131032882	4058546139186
033	1	JOINT THORIQUE	5131032884	4058546139209
034	1	DOUILLE	5131032866	4058546139032
035	1	CAPUCHON	5131032865	4058546139025
036	1	CLIP	5131032867	4058546139049
037	1	CLIPS DE RETENUE	5131032868	4058546139056
038	1	BILLE	5131032871	4058546139087
039	1	TOLE	5131032869	4058546139063
040	1	RESSORT A SPIRALE	5131032870	4058546139070
041	1	GARNITURE	5131032874	4058546139100
042	2	ROUL. A AIGUILLES	5131032875	4058546139117
044	1	BROCHE	5131000000	
045	1	CLIPS DE RETENUE	5131032885	4058546139216
046	1	PIGNON	5131032886	4058546139223
047	4	BILLE	5131017806	4058546106454
048	1	CLIPS DE RETENUE	5131032888	4058546139247
049	1	ROUL. A AIGUILLES	5131032887	4058546139230
050	1	RONDELLE	5131032889	4058546139254
051	1	TOLE	5131032860	4058546138974
052	1	PIECE INTERMEDIAIRE	5131032863	4058546139001

Position	Quantité	Désignation	Référence	EAN
053	1	AXE	5131032858	4058546138950
054	1	SUPPORT EN EQUERRE	5131032856	4058546138936
055	1	PLAQUE	5131032859	4058546138967
056	1	RESSORT	5131032857	4058546138943
057	1	VIS	5131032904	4058546139407
058	1	ROULEMENT A BILLES	5131032903	4058546139391
059	1	PIGNON	5131032902	4058546139384
060	1	RESSORT	5131032898	4058546139346
061	1	RONDELLE	5131032900	4058546139360
062	1	ROUL. A AIGUILLES	5131032899	4058546139353
063	1	OSCILLATEUR	5131032897	4058546139339
064	1	PLAQUE D"ENGRENAGES	5131032849	4058546138868
065	2	ROUL. A AIGUILLES	5131032901	4058546139377
066	2	ROUL. A AIGUILLES	5131032896	4058546139322
067	1	RONDELLE	5131032895	4058546139315
068	1	AXE	5131032892	4058546139285
069	1	PIGNON	5131032894	4058546139308
070	1	RESSORT	5131032893	4058546139292
071	1	ROULEMENT A BILLES	5131032891	4058546139278
072	1	JOINT	5131032847	4058546138844
073	1	JOINT	5131032846	4058546138837
075	1	INTERRUPTEUR	5131032915	4058546139513
076	1	CONTACT	5131035714	4058546151171
077	1	CABLE	5131032916	4058546139520
078	1	CABLE NOIR	5131032917	4058546139537
079	1	CABLE NOIR	5131032918	4058546139544
080	1	CABLE	5131032919	4058546139551
082	1	RONDELLE	5131032910	4058546139469
083	2	CLIP	5131030099	4058546122393
084	4	VIS	5131032861	4058546138981
101	1	CARTER MOTEUR	5131032844	4058546138813
102	1	BOUTON DE REGLAGE	5131032852	4058546138899
103	1	MANDRIN	5131032864	4058546139018
104	1	SPINDLE KIT	5131032872	4058546139094
105	1	ARBRE D"EMBRAYAGE	5131032890	4058546139261
106	1	MOTOR COMPLET	5131032905	4058546139414
107	1	INTERRUPTEUR	5131032914	4058546139506