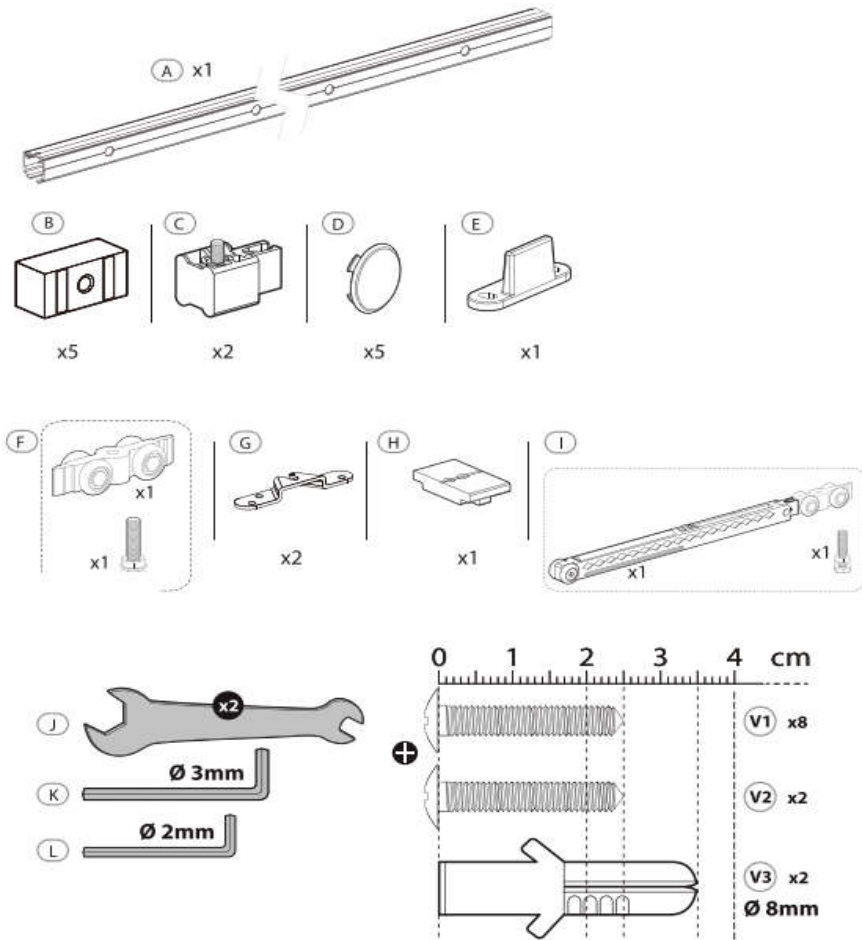


Product exploded view

ADEO Ref	856753
EAN Code	3276000336891



Parts No.	Name	Quantity	Material & Surface process
A	Rail	1	Aluminum & oxidation
B	Spacer	5	Nylon & Black
C	Door stopper	2	POM; Rubber; Carbon steel; SS304 & Black
D	Hole cap	5	ABS & Grey
E	Floor guide	1	POM & Black
F	Sliding roller	1	SS304; Zinc; POM & Steel
G	Roller & Door Connector	2	Carbon steel & galvanized
H	Trigger	1	Aluminum & Natural
I	Sliding roller	1	SS304; Zinc; POM; Aluminum
J	Wrench	2	Carbon steel & galvanized
K	Hex Wrench	1	Carbon steel & galvanized
L	Hex Wrench	1	Carbon steel & galvanized
V1	Screw	8	SS304
V2	Screw	2	SS304
V3	Wall Plug	2	PE