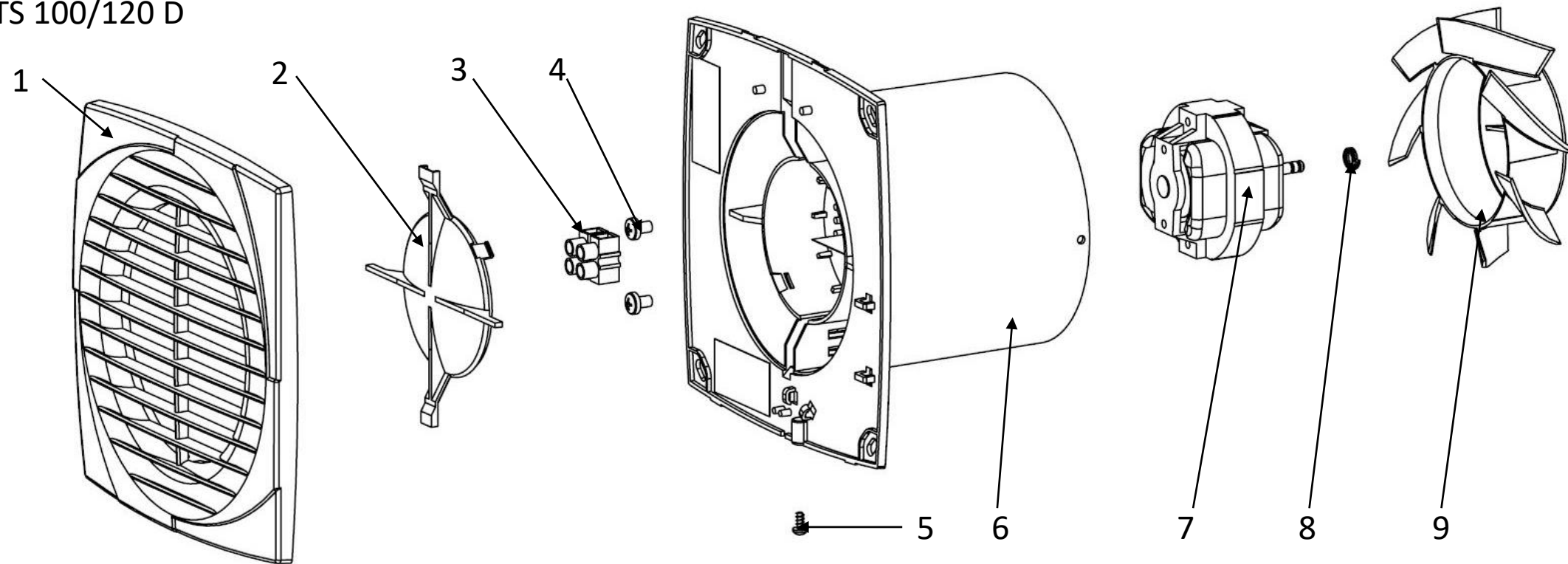


VENTS 100/120 D



No.	Quantity	Name	Designation	No.	Quantity	Name	Designation
1	1	Front grill	ABS	7	1	Motor	BL58-...
2	2	Cover	ABS	8	1	Spring	Steel
3	1	Terminal	PA8	9	1	Impeller	ABS
4	2	Screw M4	Steel				
5	1	Screw 3,0	Steel				
6	1	Case	ABS				