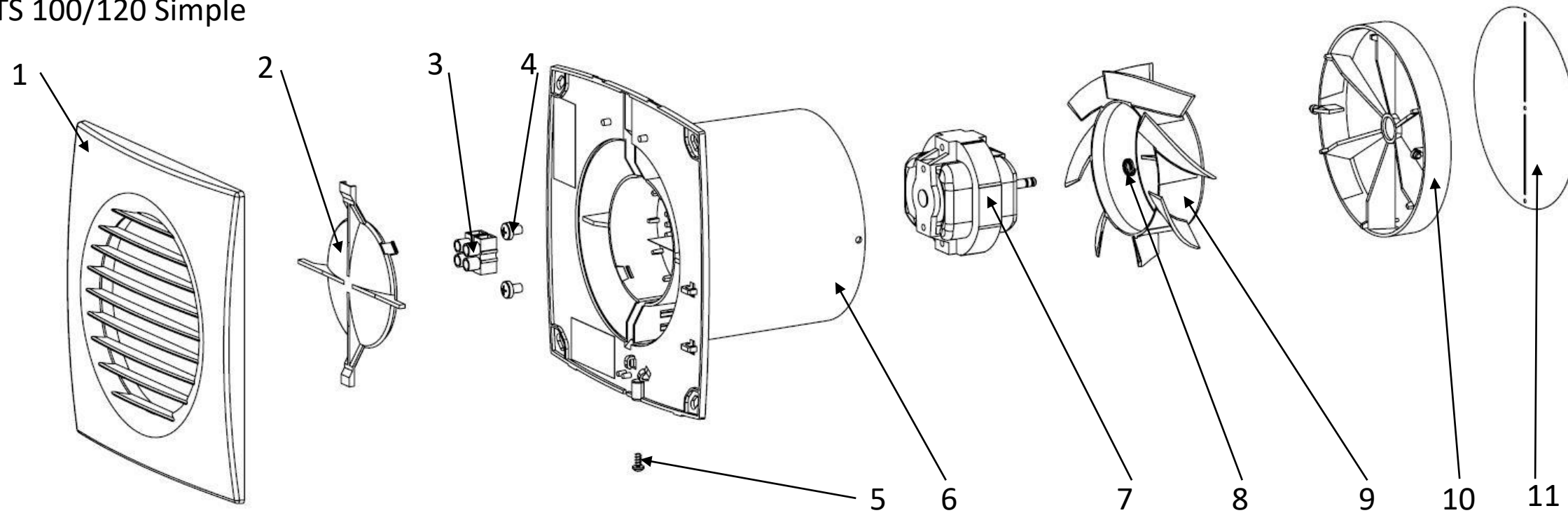


# VENTS 100/120 Simple



No.	Quantity	Name	Designation	No.	Quantity	Name	Designation
1	1	Front grill	ABS	7	1	Motor	BL58-...
2	2	Cover	ABS	8	1	Spring	Steel
3	1	Terminal	PA8	9	1	Impeller	ABS
4	2	Screw M4	Steel	10	1	Valve body	ABS
5	1	Screw 3,0	Steel	11	1	Membrane	PET
6	1	Case	ABS				