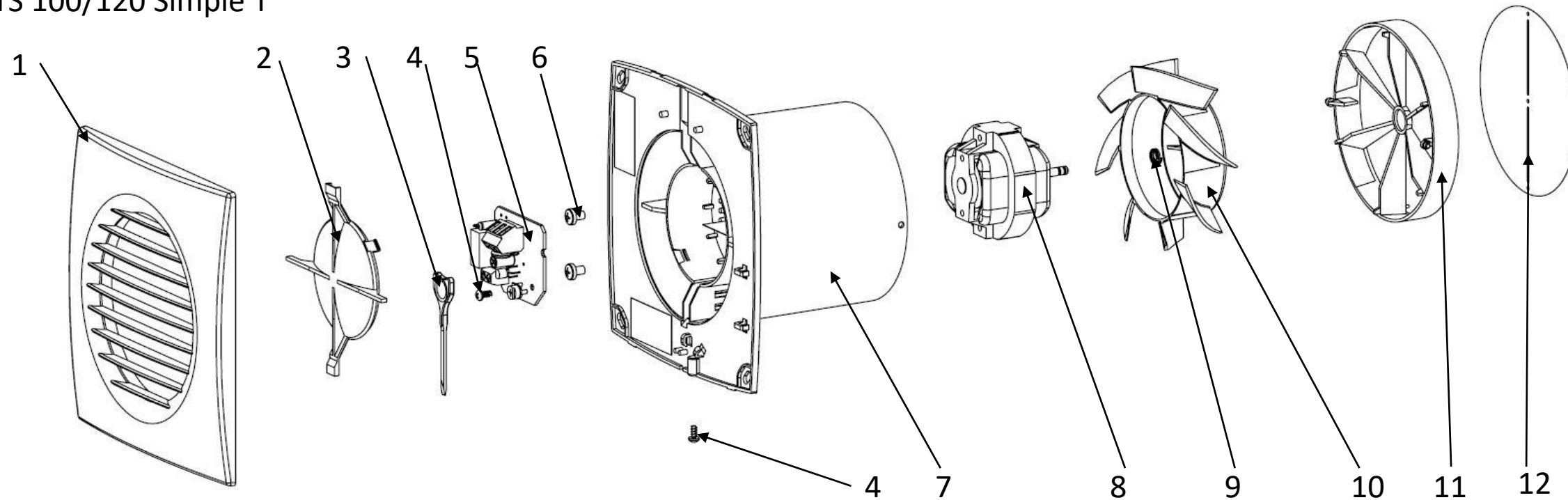


VENTS 100/120 Simple T



No.	Quantity	Name	Designation	No.	Quantity	Name	Designation
1	1	Front grill	ABS	7	1	Case	ABS
2	2	Cover	ABS	8	1	Motor	BL58-...
3	1	Screwdriver	PP	9	1	Spring	Steel
4	2	Screw 3,0	Steel	10	1	Impeller	ABS
5	1	Terminal board with timer	PCB, DX-T	11	1	Valve body	ABS
6	2	Screw M4	Steel	12	1	Membrane	PET