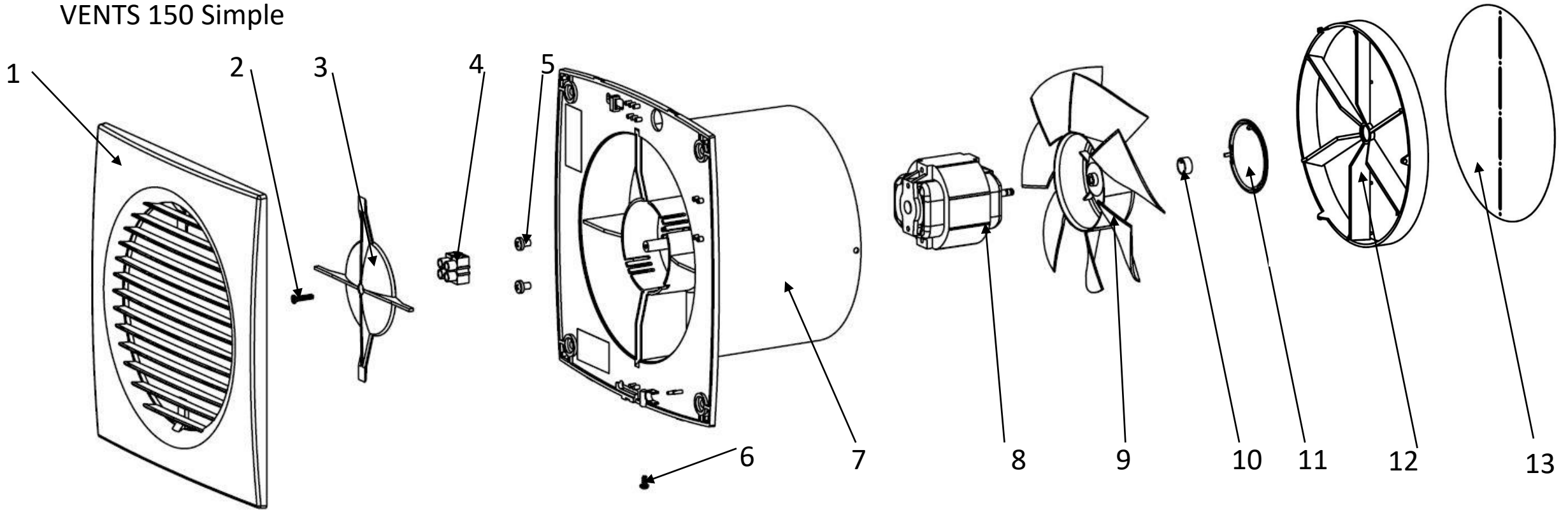


VENTS 150 Simple



No.	Quantity	Name	Designation	No.	Quantity	Name	Designation
1	1	Front grill	ABS	8	1	Motor	BL58-...
2	1	Screw 3,0	Steel	9	1	Impeller	ABS
3	1	Cover	ABS	10	1	Spring	Steel
4	1	Terminal	PA8	11	1	Cover	ABS
5	2	Screw M4	Steel	12	1	Valve body	ABS
6	1	Screw 3,0	Steel	13	1	Membrane	PET
7	1	Case	ABS				