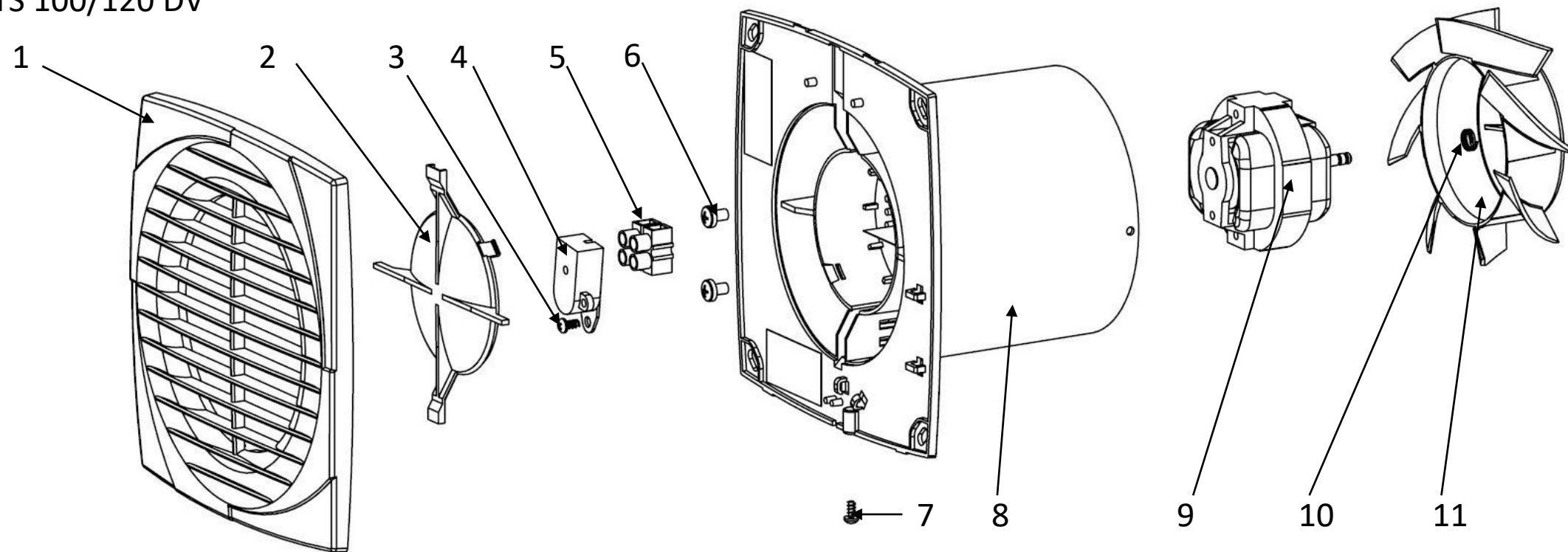


VENTS 100/120 DV



No.	Quantity	Name	Designation	No.	Quantity	Name	Designation
1	1	Front grill	ABS	7	1	Screw 3,0	Steel
2	2	Cover	ABS	8	1	Case	ABS
3	1	Screw 3,0	Steel	9	1	Motor	BL58-...
4	1	Switch	VLM 200/328	10	1	Spring	Steel
5	1	Terminal	PA8	11	1	Impeller	ABS
6	2	Screw M4	Steel				