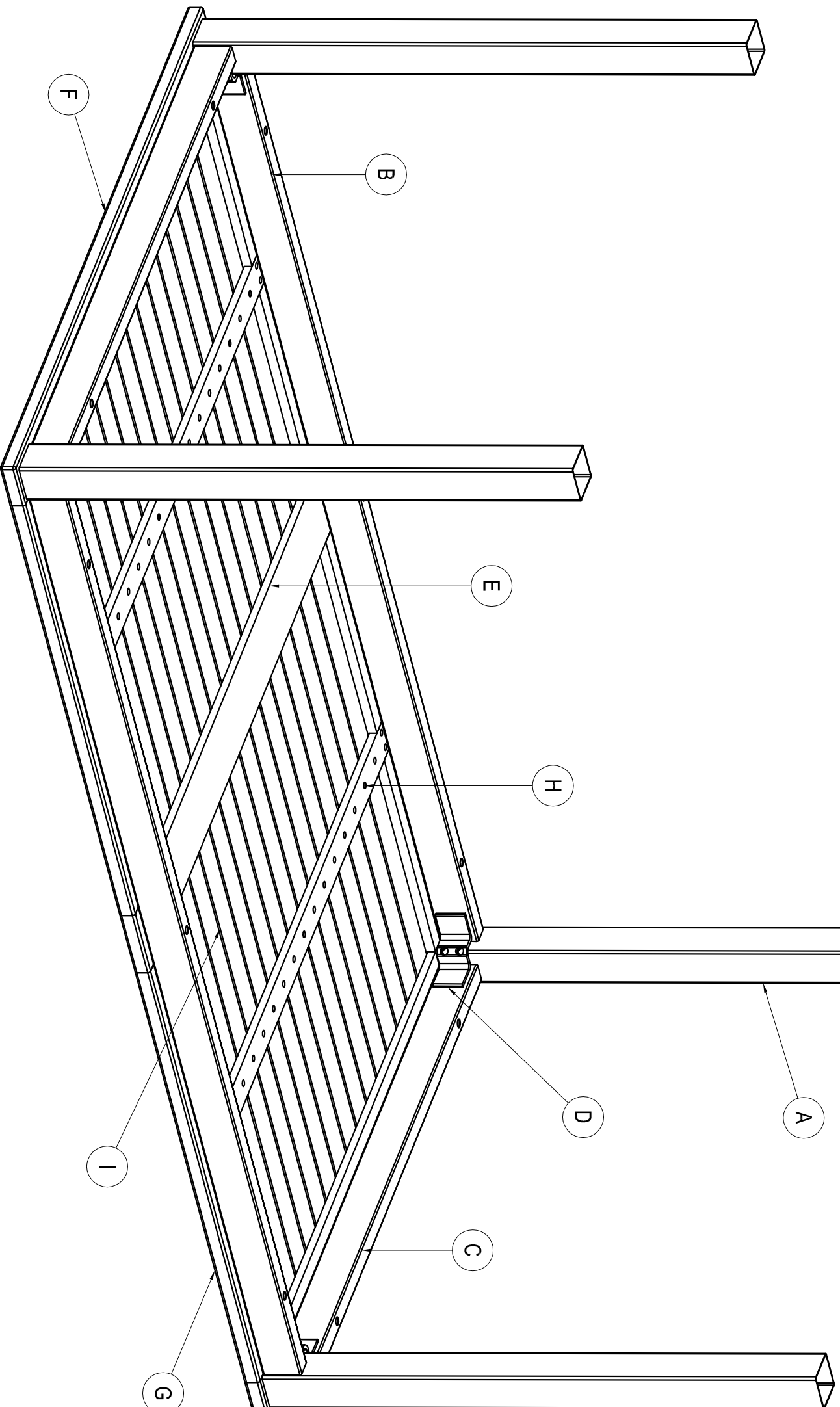



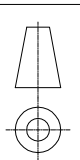
Ref	Component Name	Qty	Dimension
A	LEG / CHÂN BÀN	4	P078, L716
B	SIDE BAR / THANH ĐỠ MẶT BÀN DÀI	2	P094, L1380
C	SIDE BAR / THANH ĐỠ MẶT BÀN NGẮN	2	P094, L773
D	SUPPORT PIECE / THANH GIANG GÓC	4	P494, L38
E	FRAME PARASOL / THANH LỠ DÙ	1	20 x 90 x 893
F	FRAME TOP / THANH BÀN NGANG	2	20 x 60 x 893
G	FRAME TOP / THANH BÀN DỌC	4	20 x 60 x 705
H	SLAT SUPPORT / ĐỠ NAN	2	10 x 43 x 823
I	SLAT / NAN BÀN	32	10 x 43 x 665



Rev	NAME	DATE
1	Scancom	190919
2		
3		
4		
5		
6		

  
**adeo**  
 ADEO - 135, rue Sodi Carnot  
 CS 00001 - 59790 RONCHIN  
 FRANCE  
 MATERIAL/FINISHING:  
 ALU + EUCALYPTUS

GENERAL TOLERANCES:  
 LINEAR: +1,5 mm  
 ANGULAR:



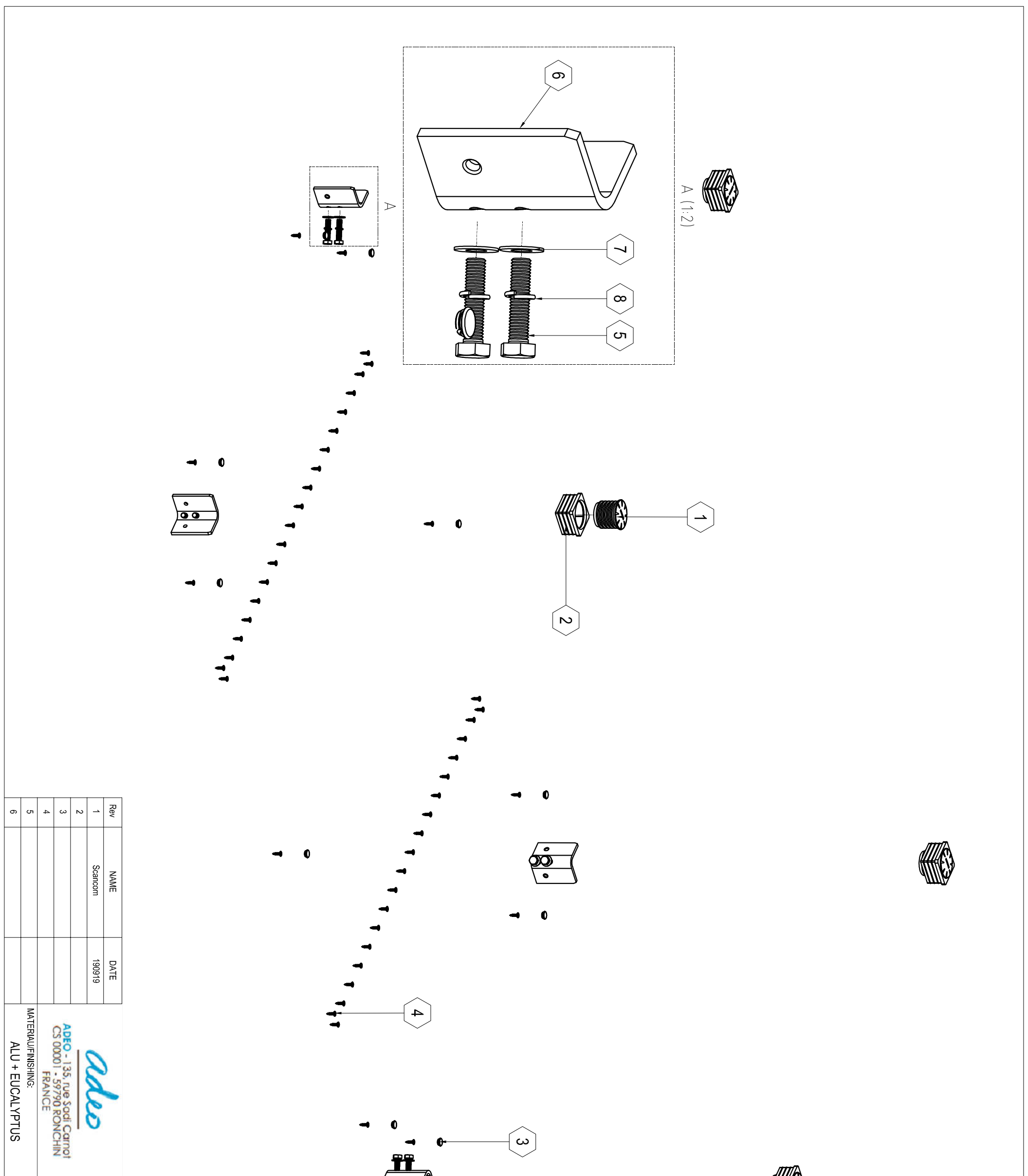
TITRE:  
**DINING TABLE MATERIAL ORIS FIX ALU + EUCALYPTUS 150x89**

No. DEPLAN **DINING TABLE 150x89\_040518**

ECHELLE: 1:6 Dimensions in mm FEUILLE 1 SUR 3

REVISION  
 A3

Ref	Hardware Name	Qty
1	Foot Ø47,5x40,5, PL	4
2	Foot 52x52x31, PL	4
3	Cap Ø13,5x6, PL	10
4	Wood Screw 4x15, F-PHL, ST	50
5	Hex-Bolt 8x35, P-SPA, ST	8
6	Support pat 47x47x70, ST	4
7	Plain washer 8,5x18x1, ST	8
8	Spring Washers 8,5x12,5x1,5, ST	8
9	Spanner 13x88	1



A (1:2)

Rev	NAME	DATE
1	Scancom	190919
2		
3		
4		
5		
6		

**adco**  
 ADECO - 135, rue Sodi Carnot  
 CS 00001 - 59790 RONCHIN  
 FRANCE  
 MATERIAU/FINISHING:  
 ALU + EUCALYPTUS

GENERAL TOLERANCES: LINEAR: +4,5 mm ANGULAR:		
TITRE: DINING TABLE MATERIAL ORIS FIX ALU + EUCALYPTUS 150x89		
No. DEPLAN	DINING TABLE 150x89_040518	A3
REVISION		
ECHELLE: 1:6	Dimensions in mm	FEUILLE 2 SUR 3