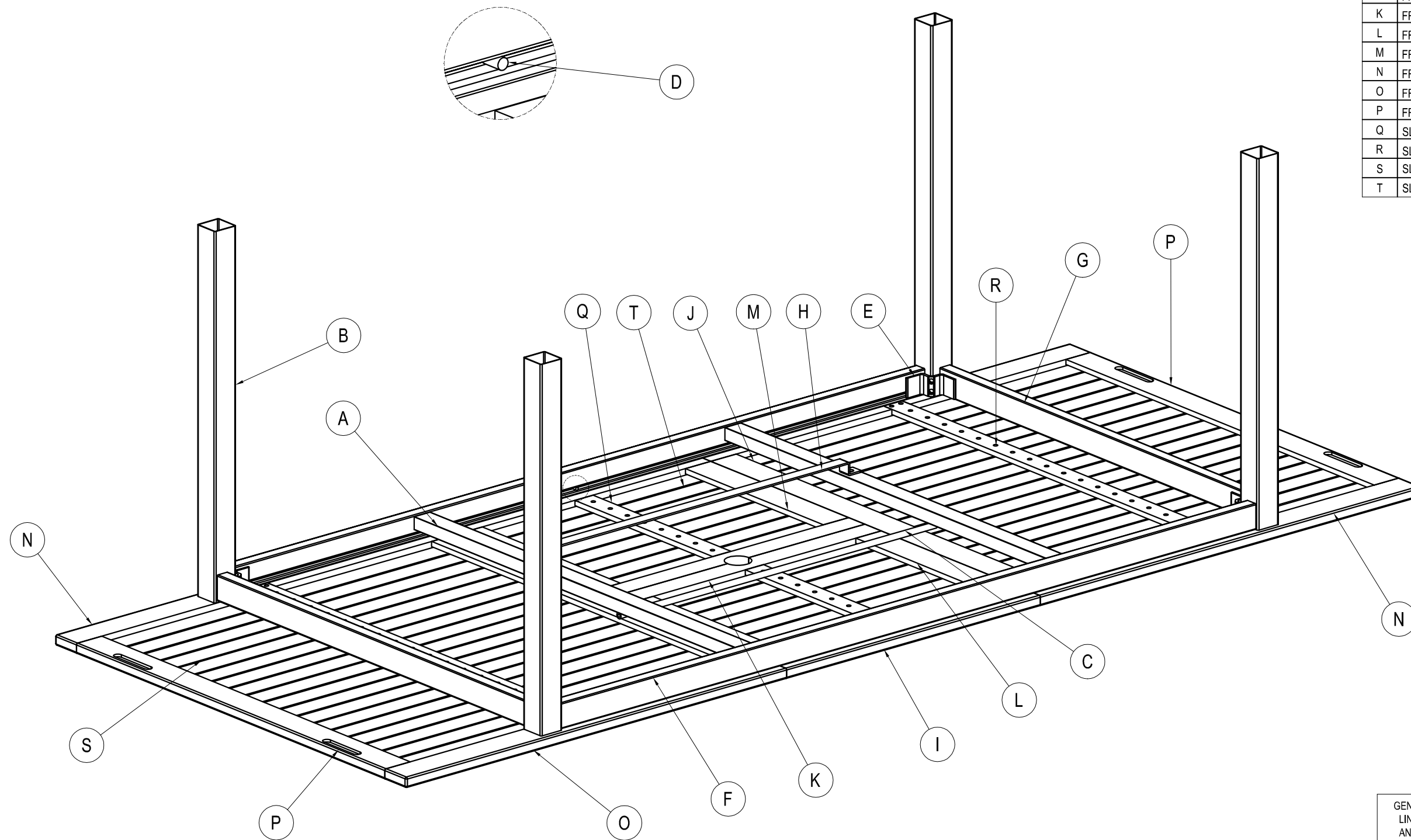
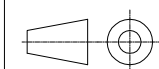


Ref	Component Name	Qty	Dimension
A	CROSS BAR / KIẾNG NGANG	2	P085, L905
B	LEG / CHÂN BÀN	4	P078, L716
C	ROTATIONAL BAR / THANH XOAY	1	P009, L748
D	SUPPORT PIECE / CHÓT CHÂN	2	P023, L11
E	SUPPORT PIECE / THANH GIÁNG GÓC	4	P494, L38
F	SUPPORT BAR / ĐIỂM BÀN DÀI	2	P255, L1645
G	SUPPORT BAR / ĐIỂM BÀN NGẮN	2	P094, L869
H	SUPPORT BAR / THANH ĐỖ MẶT GIỮA	1	P359, L815
I	FRAME TOP / VIÊN BÀN DỌC NGOÀI	2	20x60x600
J	FRAME TOP / VIÊN BÀN NGANG	2	20x60x929
K	FRAME TOP / VIÊN DỌC BÀN TRONG	2	20x46x600
L	FRAME TOP / VIÊN BÀN NGANG NGẮN	2	20x60x448.5
M	FRAME TOP / VIÊN BÀN NGANG NGẮN	2	20x60x448.5
N	FRAME TOP / VIÊN BÀN DỌC	2	20x60x900
O	FRAME TOP / VIÊN BÀN DỌC	2	20x60x900
P	FRAME TOP / VIÊN BÀN NGANG	2	20x60x929
Q	SLAT SUPPORT / ĐỖ NAN	2	10x43x388.5
R	SLAT SUPPORT / ĐỖ NAN	2	10x43x920
S	SLAT / NAN	36	10x43x800
T	SLAT / NAN	16	10x43x500



GENERAL TOLERANCES:
 LINEAR: +/-5 mm
 ANGULAR:

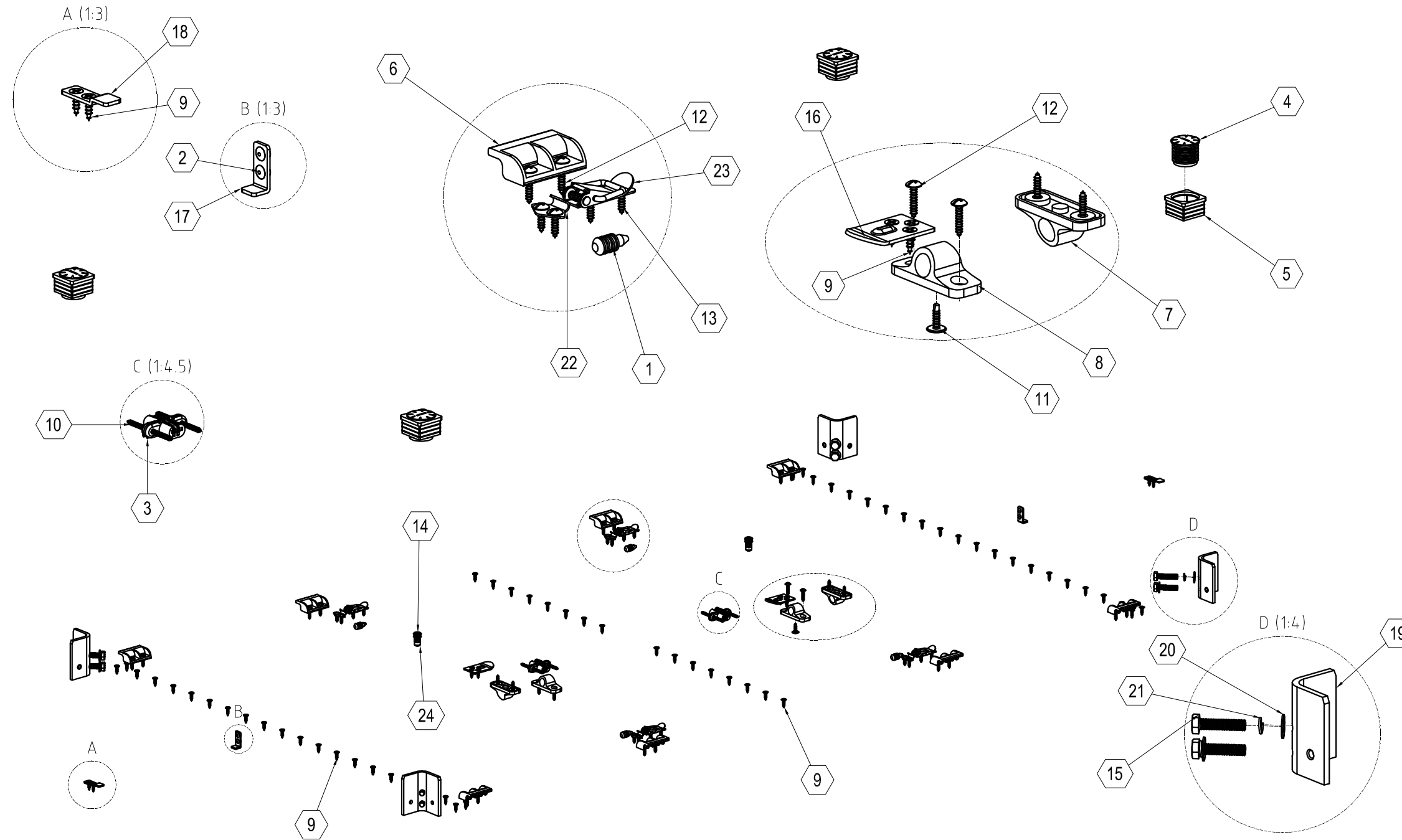


TITRE: DINING TABLE MATERIAL ORIS BUTTERFLY ALU + EUCALYPTUS 180/240	
No. DEPLAN DINING TABLE 180/240_270418	A3 REVISION
ECHELLE: 1:8	Dimensions in mm FEUILLE 1 SUR 3

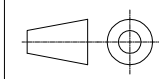
Rev	NAME	DATE
1	Scancom	180919
2		
3		
4		
5		
6		

adeo
 ADEO - 135, rue Sadi Carnot
 CS 00001 - 59790 RONCHIN
 FRANCE
 MATERIAU/FINISHING:
 ALU + EUCALYPTUS

Ref	Hardware Name	Qty
1	Guide Nut 6.6x23.5, AL	4
2	Joint Rivet 4x10, AL	4
3	Concealed Hinge 44x34x25, MM	2
4	Foot Ø47.5x40.5, PL	4
5	Foot 52x52x31, PL	4
6	Support Piece 46x30x14.8, PL	8
7	Support piece 60x22x22, PL (side)	2
8	Support piece 60x22x22, PL (middle)	2
9	Wood Screw 4x15, F-PHL, ST	70
10	Wood Screw 4x30, F-PHL, ST (head 7)	8
11	Tap screw 4x15, P-PHL, ST	1
12	DRW Mushroom Screw 4 x 20, R-PHL, ST	24
13	DRW Mushroom Screw 4 x 15, R-PHL, ST	16
14	F-Bolt 6x20, P-HEX, ST	2
15	Hex-Bolt 8x35, P-SPA, ST	8
16	Support Pat 49 x 30 x 6 x (t2.0), ST	2
17	Pat L 28x12x12x(t2.0), ST	2
18	Pat Z 40x12x5x(t2.0), ST	2
19	Support pat 47x47x70, ST	4
20	Plain washer 8.5x18x1, ST	8
21	Spring Washers 8.5x12.5x1.5, ST	8
22	Lock 27x18x7, ST	4
23	Safety Lock 43x27x10, ST	4
24	Insert Rivet 6x16, ST	2
25	Allen key 4x98	01
26	Spanner 13x88	01



GENERAL TOLERANCES:
 LINEAR: +/- 5 mm
 ANGULAR:



Rev	NAME	DATE
1	Scancom	180919
2		
3		
4		
5		
6		

adeo
 ADEO - 135, rue Sadi Carnot
 CS 00001 - 59790 RONCHIN
 FRANCE
 MATERIAU/FINISHING:
 ALU + EUCALYPTUS

TITRE:
**DINING TABLE MATERIAL ORIS
 BUTTERFLY ALU + EUCALYPTUS 180/240**

No. DEPLAN: **DINING TABLE 180/240_270418**

REVISION: **A3**

ECHELLE: 1:8 Dimensions in mm FEUILLE 2 SUR 3