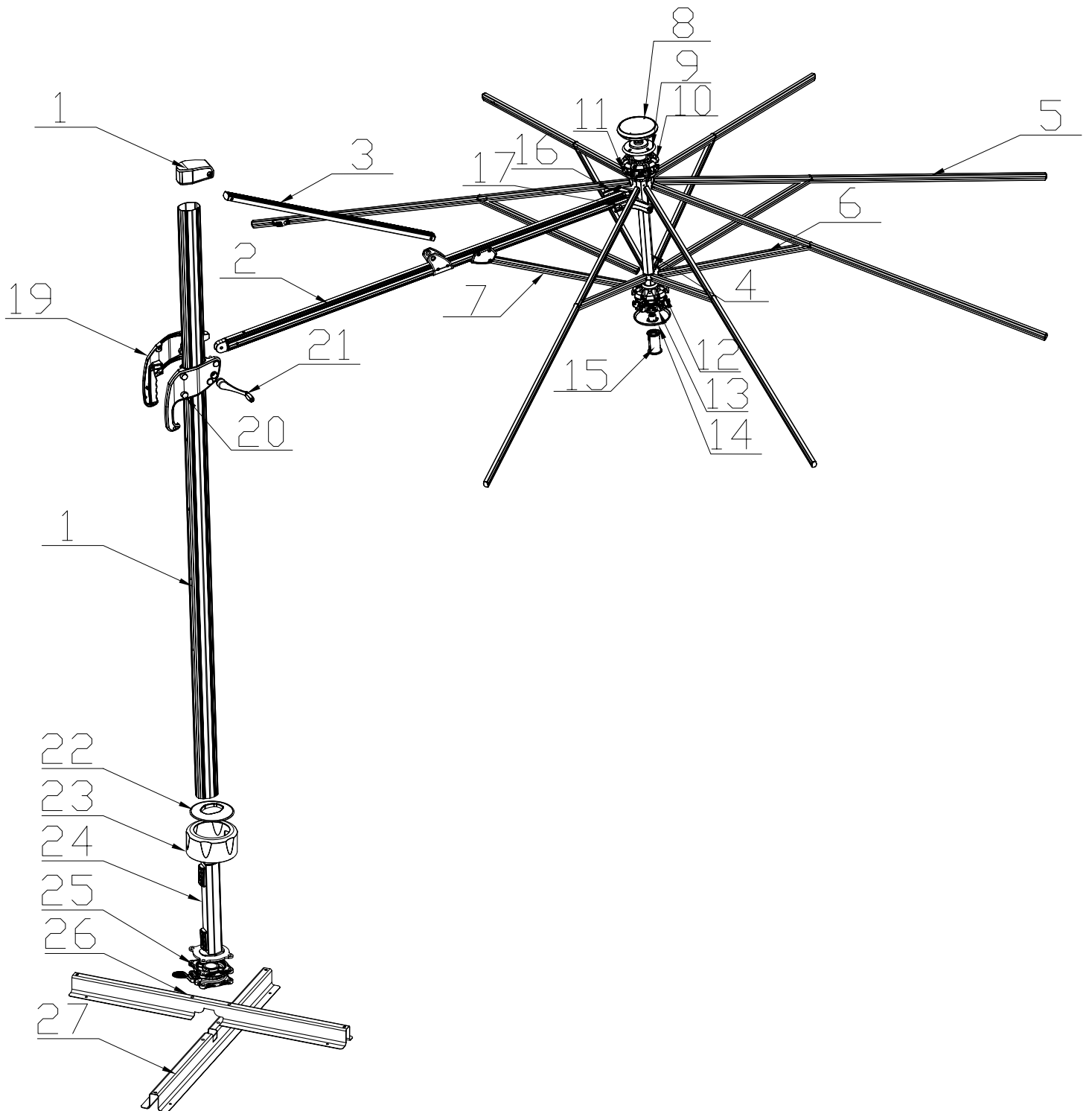


# URA038022A爆炸图



27		cross base	1	Steel	
26		cross base	1	Steel	
25	B-460A	360 Rotating base	1	Alu alloy ZL104	
24		pole of 360 Rotating base	1	Steel	
23	SZ1089	base cover	1	PP	
22	SZ1066	base cover	1	PP	
21	B-308	handle	1	Alu alloy (ADC12)	
20	B-365	crank B	1	Alu alloy (ADC12)	
19	B-364	crank A	1	Alu alloy (ADC12)	
18	B-361	top plastic of pole	1	Alu alloy (ADC12)	
17	B-319	steeve tube connectionB	1	Alu alloy (ADC12)	
16	B-318	steeve tube connectionA	1	Alu alloy (ADC12)	
15	SZ1324	connection part of lamp panel	2	PP	
14	SZ1626	Umbrella disk cover	1	reinforced nylon 15% fiber glass	
13	SZ1531	under lamp panel base	1	reinforced nylon 15% fiber glass	
12	SZ910	under lamp panel cover	1	reinforced nylon 15% fiber glass	
11	SZ911	up lamp panel base	1	reinforced nylon 15% fiber glass	
10	SZ1458	up lamp panel cover	1	reinforced nylon 15% fiber glass	
09	SZ1457	Line pressing cover	1	PP	
08		Solar lamp disc	1		
07	YJLQ-314	short ribs B	1	Alu	25*17*1.0*545
06	YJLQ-314	short ribs A	7	Alu	25*17*1.0*600
05	YJLQ-314	long ribs	7	Alu	25*17*1.0*1455
04	YJLQ-146A	steeve tube	1	Alu	Φ39*1.8*380
03	YJLQ-271	pull tube	1	Alu	38.5*23*1.8*810
02	YJLQ-152	slanting tube	1	Alu	45*36*1.5*1470
01	YJLQ-150	pole	1	Alu	75*60*1.8*2250
Ref.no	Serial name	Name	Quantity	Texture	Specification