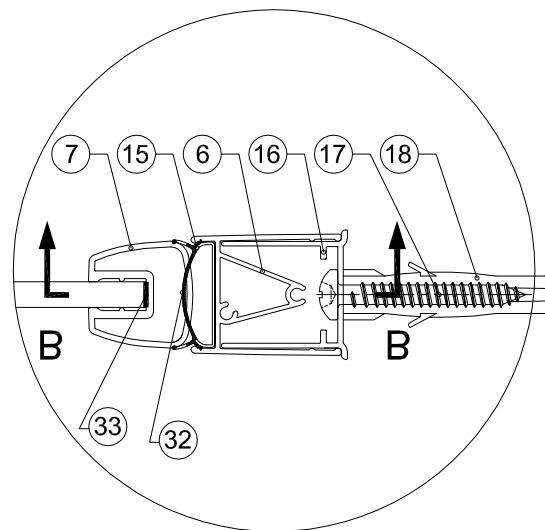
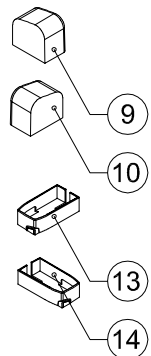
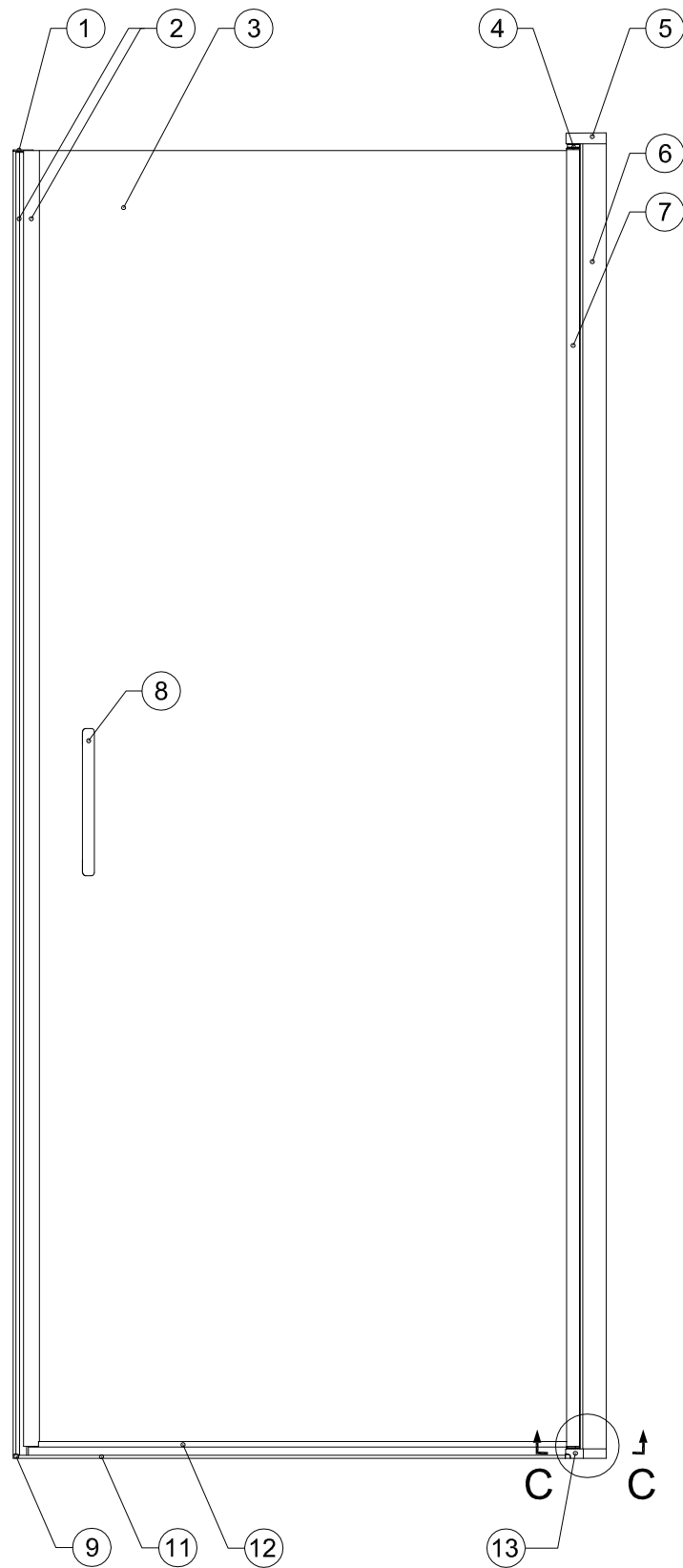


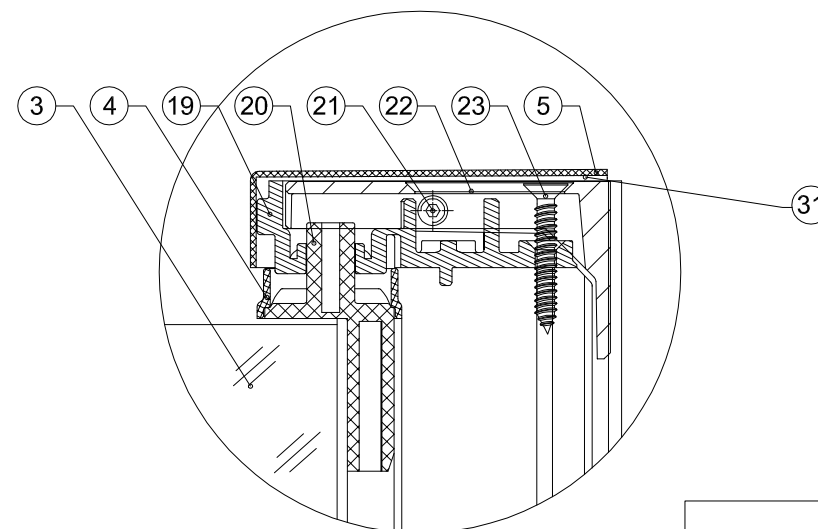


理想®

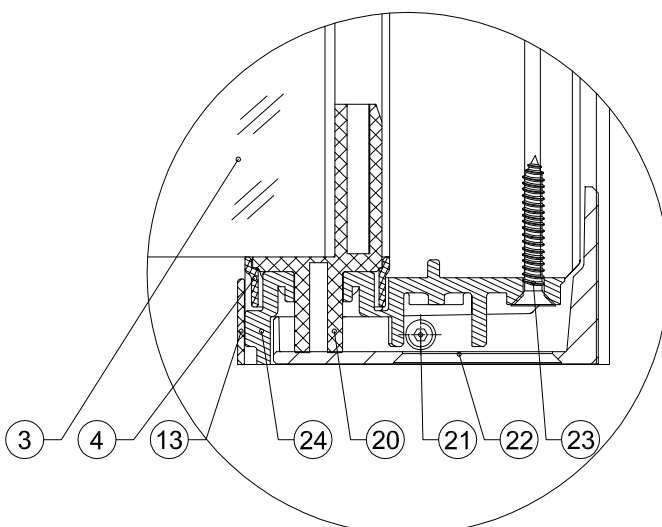
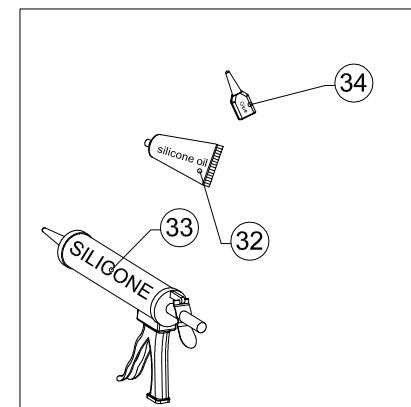
IDEAL IDEAL SANITARY CO.,LTD



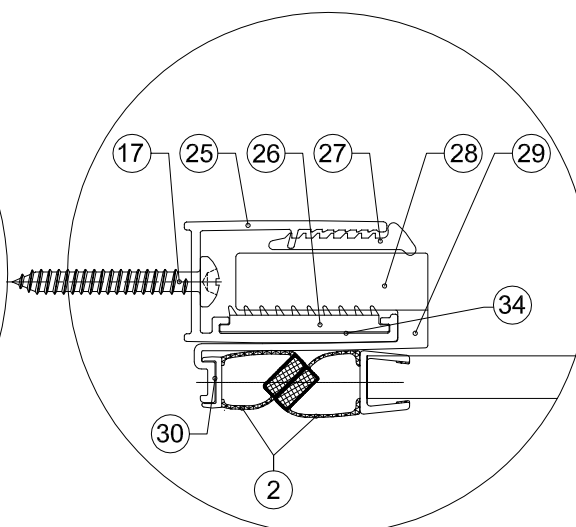
A
Magnify picture



B-B
Magnify picture

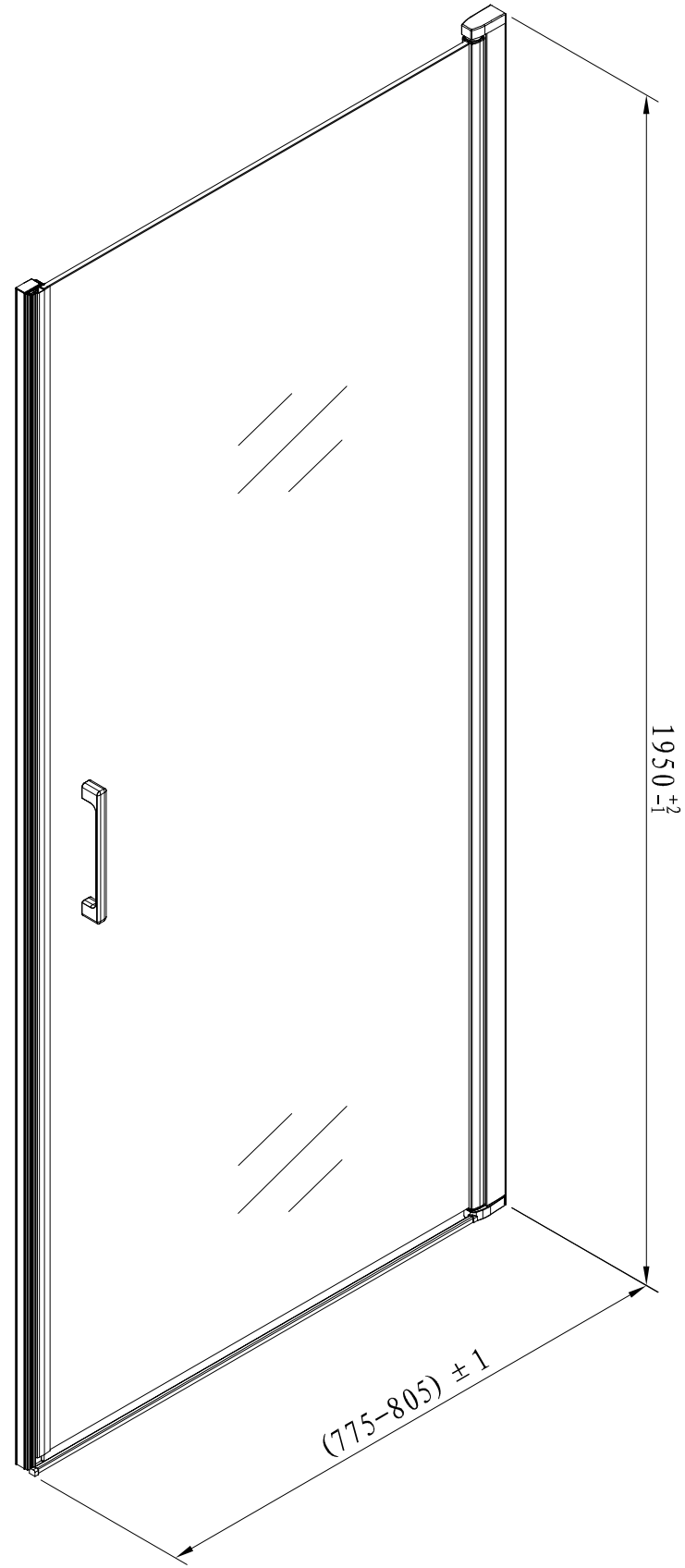


C-C
Magnify picture



D-D
Magnify picture

34	Glue	Glue		1/20
33	silicone	silicone		1/20
32	silicone oil	silicone oil		1/20
31	Foam double-sided tape(34mm wide)	Silica gel	L=20	1
30	Foam double-sided tape(4mm wide)	Silica gel	L=1925	1
29	Magnetic strip profile	Aluminium alloy	L=1925	1
28	Top cover of adjustable profile	ABS		1
27	Seal strip	EVA	L=1925	1
26	Seal strip	PVC	L=1927	1
25	Wall profile	Aluminium alloy	L=1927	1
24	Bottom hinged support	Zink alloy		1
23	Countersunk head screw	Stainless steel	ST3.5x30	4
22	Adjustable seat	Zink alloy		2
21	Inner hexad flat tighten screw	Stainless steel	M6X6	2
20	Pivot kit	PA66		2
19	Upper hinged support	Zink alloy		1
18	Wall plug	PA66		6
17	Philip's head ST screw	Stainless steel	ST4x45	6
16	Wall profile	Aluminium alloy	L=1950	1
15	Waterproof strip	PVC	L=1921	1
14	Cover of bottom axes II	ABS		1
13	Cover of bottom axes I	ABS		1
12	Bottom waterproof strip	PVC	L=730	1
11	Waterproof bar	Aluminium alloy	L=713	1
10	Wall profile bottom base (right)	ABS		1
9	Wall profile bottom base (left)	ABS		1
8	Handle	Zink alloy		1
7	Pivot profile	Aluminium alloy	L=1909	1
6	Adjustable frame	Aluminium alloy	L=1921	1
5	Cover of upper axes	ABS		1
4	Cover of axes sleeve	ABS		2
3	Moving glass	Tempered glass	8x702x1908	1
2	Magnetic strip	PVC	L=1908,L=1925	1pair
1	Cap of wall profile	ABS		1
NO.	Description	Material	Specification	Quantity
PRODUCT NAME	RE2-PI80-S-C	775x1950	Unit: mm	Version 3
	RE2-PI80-S-F	775x1950		
	RE2-PI80-M-C	775x1950		
glass pattern	clear glass: single side easy clean	DATE	2019.09.30	



PRODUCT NAME	RE2-PI80-S-C	775x1950	Unit: mm	Version 3
	RE2-PI80-S-F	775x1950	DATE	2019.09.30
	RE2-PI80-M-C	775x1950		