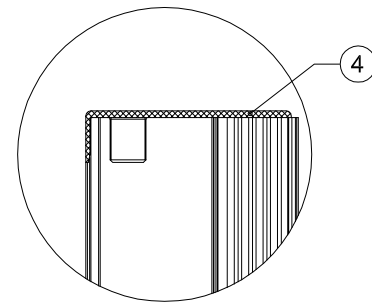
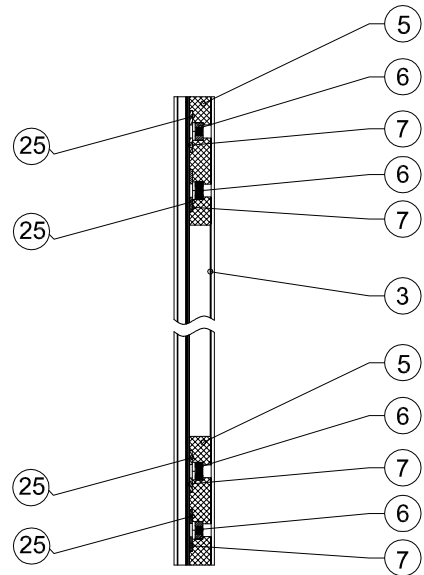


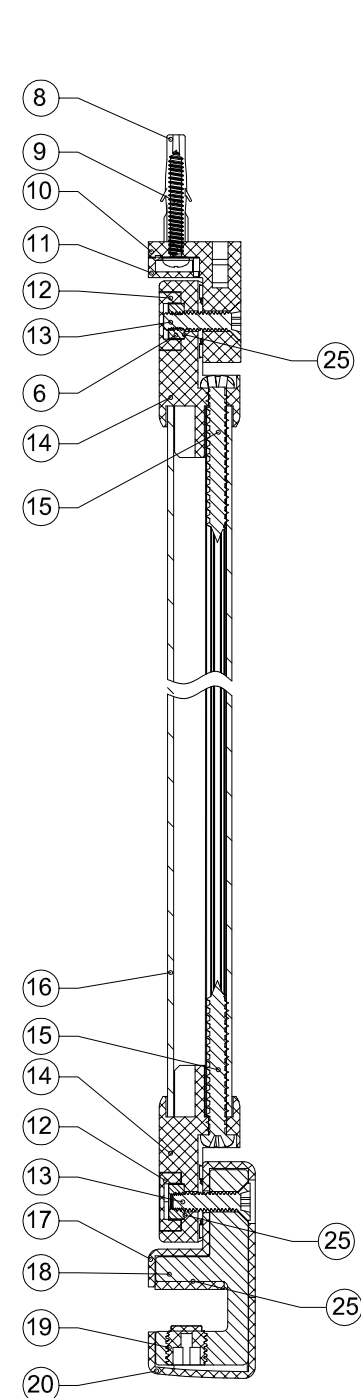
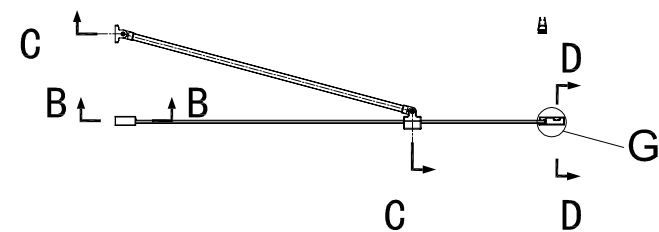
A - A



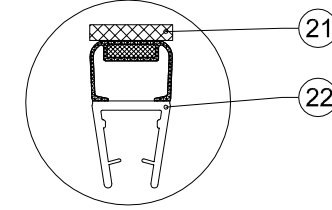
B-B
Magnify picture



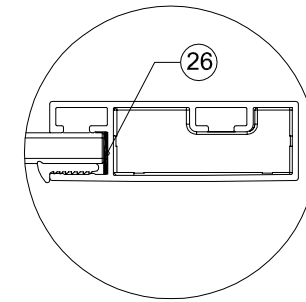
D-D
Magnify picture



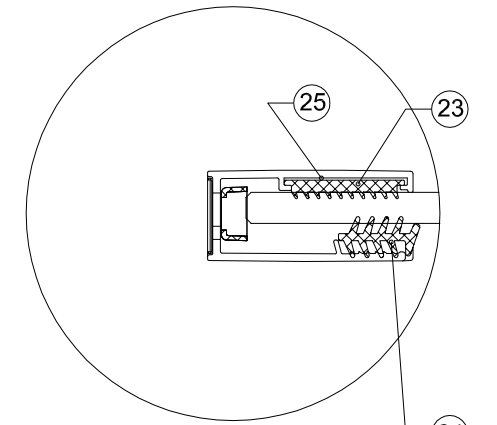
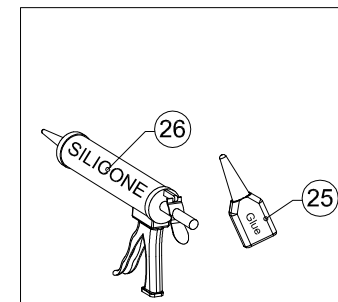
C-C
Magnify picture



E
Magnify picture



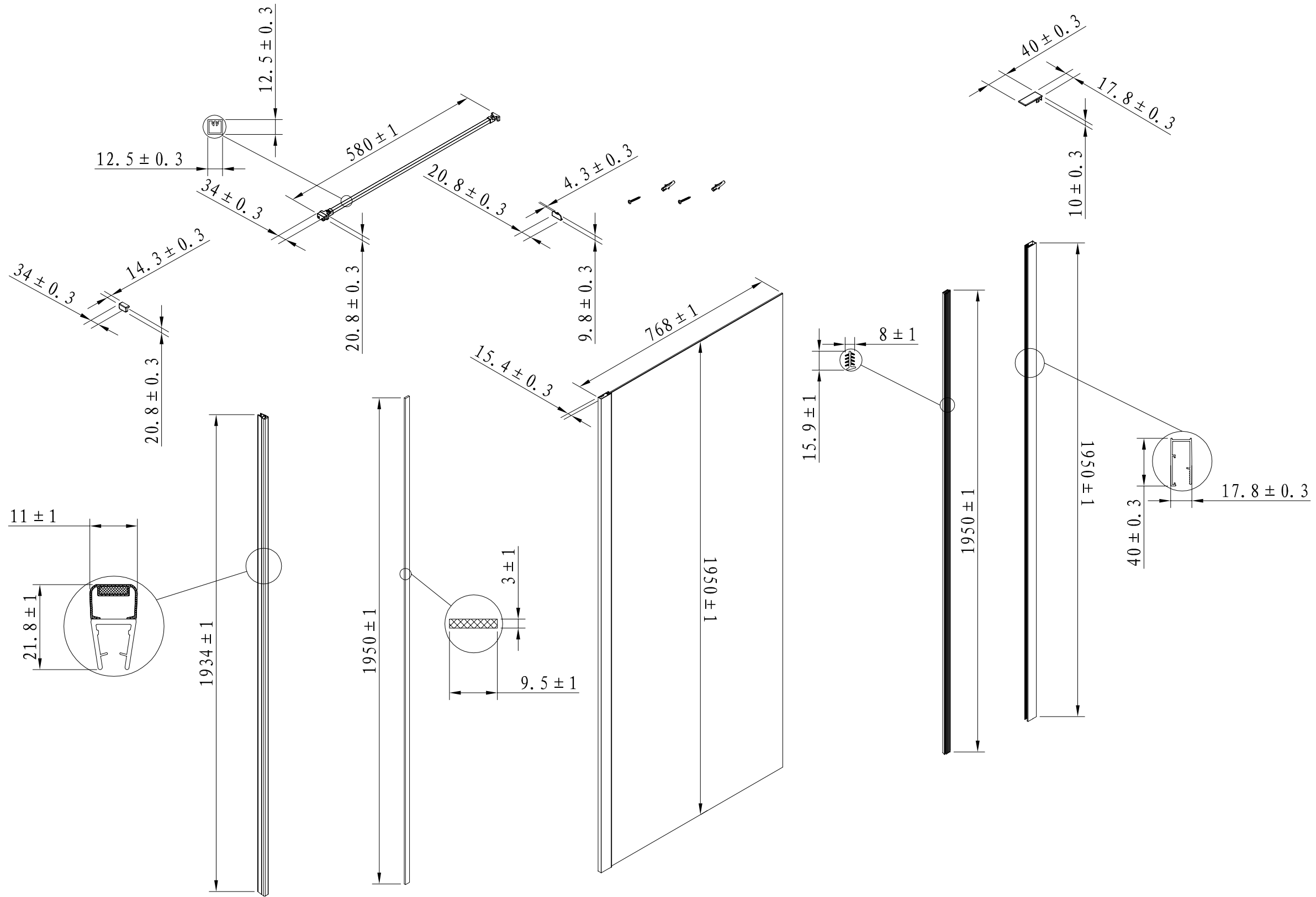
G
Magnify picture



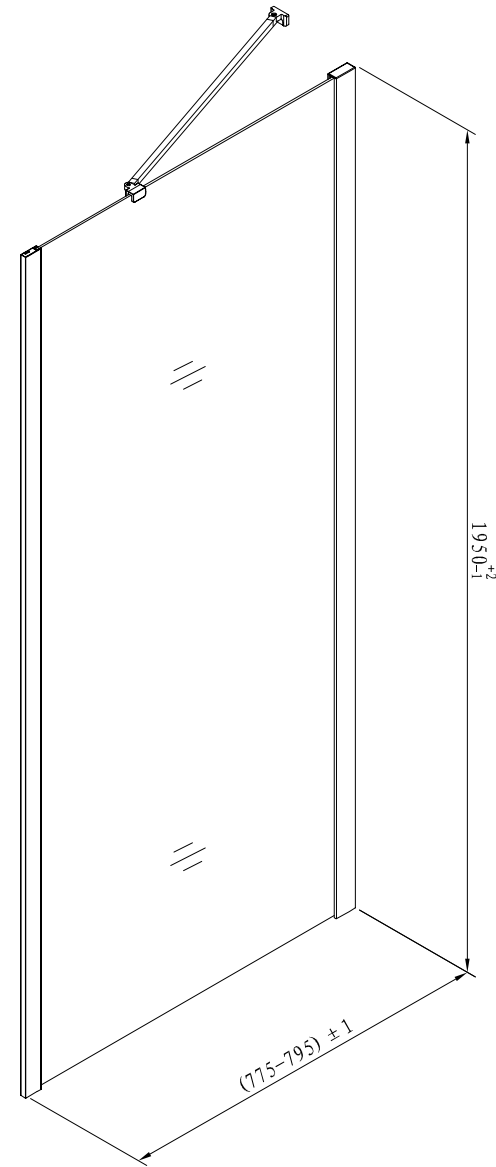
F
Magnify picture

26	silicone	silicone		1/20
25	Glue	Glue		1/20
24	Seal	PVC	L=1950	1
23	Sealing strip	PVC	L=1950	1
22	180°magnetic strip	PVC	L=1934	1
21	Magnetic strip	PVC	L=1950	1
20	Cover II of glass clamp	ABS		1
19	Flat-end tacking	POM	M8X7.6	2
18	Glass clamp	Aluminium alloy		1
17	Cover I of glass clamp	ABS		1
16	Square tube	Aluminium alloy	L=500	1
15	Screw ST3.5X25	Stainless steel	ST3.5X25	2
14	Connector of support bar	ABS		2
13	Screw M4X15	Stainless steel	M4X15	2
12	Cap	ABS		2
11	Cover of wall connector	ABS		1
10	Wall base	ABS		1
9	Screw ST4X30	Stainless steel	ST4X30	2
8	Wall plug	PA66		2
7	Washer	Stainless steel	φ16X1.1	1
6	Hexagonal nut	Stainless steel	M4	6
5	Block of profile	PA66		2
4	Cap of wall profile	ABS		1
3	Magnetic profile	Aluminium alloy	L=1950	1
2	Flat glass	Tempered glass	6X730X1950	1
1	Wall profile	Aluminium alloy	L=1950	1
NO.	Description	Material	Specification	Quantity

PRODUCT NAME	RE2-FI80-S-C 775x1950 RE2-FI80-S-F 775x1950 RE2-FI80-M-C 775x1950	Unit: mm	Version 3
glass pattern	clear glass: single side easy clean	DATE	2019.09.18



PRODUCT NAME	RE2-FI80-S-C	775x1950	Unit: mm	Version 3
	RE2-FI80-S-F	775x1950	DATE	2019.09.18
	RE2-FI80-M-C	775x1950		



PRODUCT NAME	RE2-FI80-S-C	775x1950	Unit: mm	Version 3
	RE2-FI80-S-F	775x1950	DATE	2019.09.18
	RE2-FI80-M-C	775x1950		