

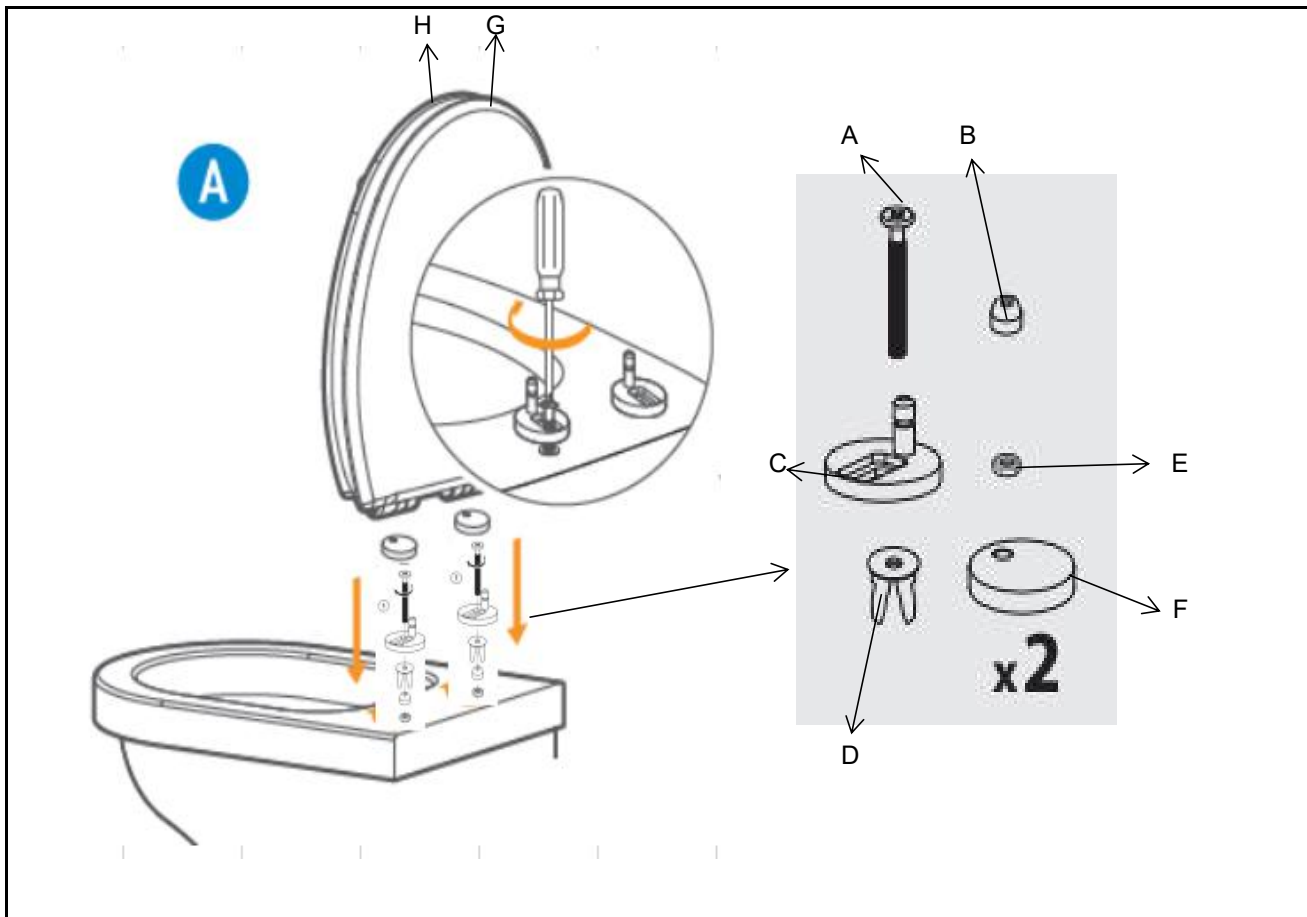
# Product exploded view

ADEO Ref

838362/838366/838369/838370/838372/839727/839733/839745/839752

EAN Code

3276000706939/3276000707035/3276000707028/3276000706960/3276000707059/3276000701262/3276000701248/3276000701491/3276000701477



Parts No.	Quantity	Reference	Material & Surface process
A	2	Screw	S.S
B	2	nut	Plastic,white
C	2	Base	PA+GF30%/sus304
D	2	Nut	Plastic,white
E	2	nut	S.S
F	1	Cap	ABS
G	1	Cover	Mould wood,panited