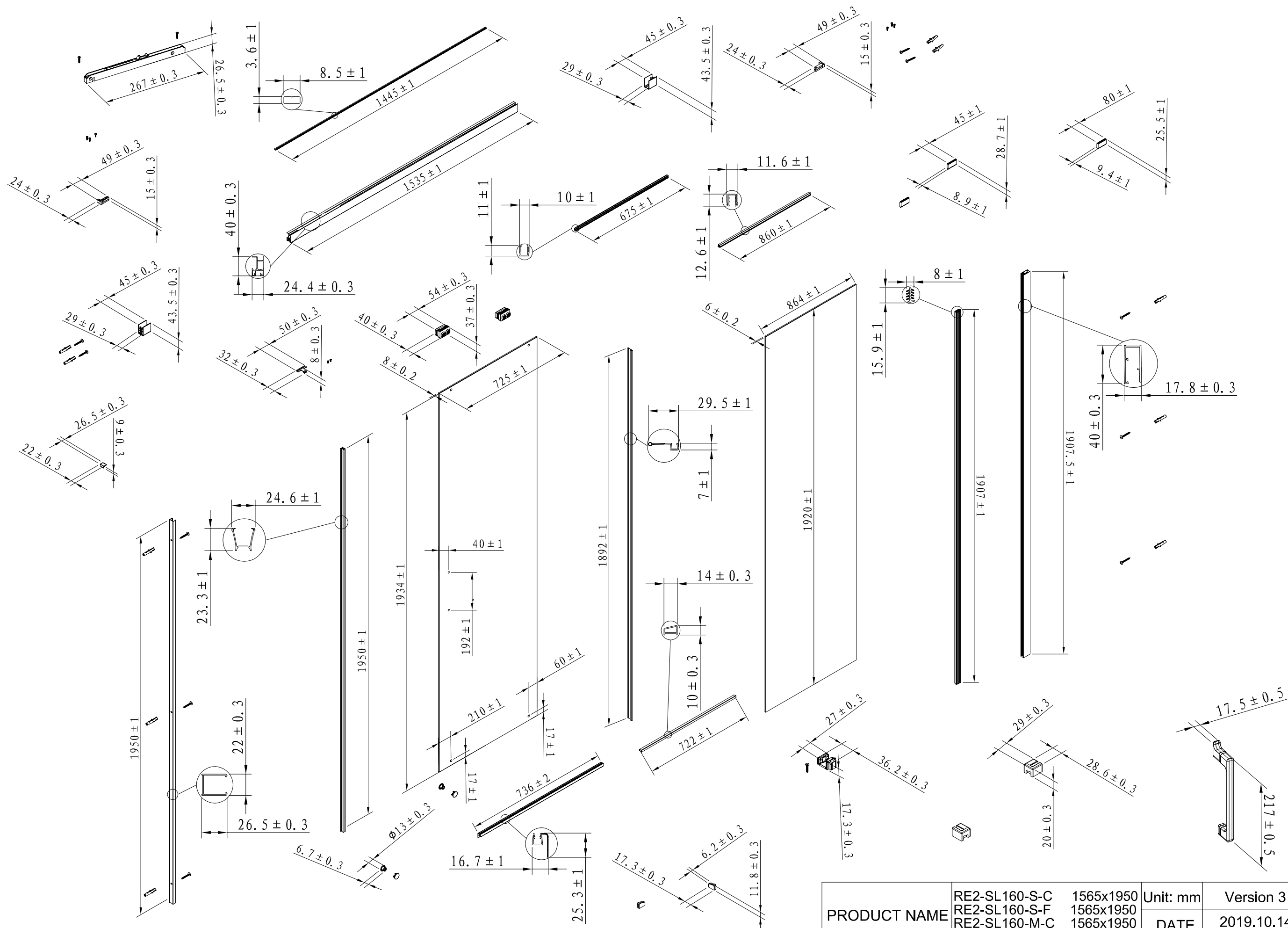


44	Round head screw	Stainless steel	M4X9	2
43	Countersunk head screw	Stainless steel	ST4X16	2
42	Iner hex round head screw set	Stainless steel	M5x16	2
41	Glue	Glue		1/20
40	Foam double-sided tape(8mm wide)	Silica gel	L=1445	1
39	Sealing strip	PVC	L=675	1
38	Sealing strip	PVC	L=860	1
37	Cap	PE		4
36	Reinforcing bar	PVC	L=1445	1
35	Soft-close system	POM		1
34	Waterproof strip	PVC	L=1892	1
33	Left bottom fixed part	ABS		1
32	Right bottom fixed part	ABS		1
31	Waterproof bar	Aluminium alloy	L=722	1
30	Seal	PVC	L=1907	1
29	Sealing strip	PVC	L=1907	1
28	Washer	PA66		3
27	Magnetic strip	PVC	L=1950	1
26	Sunk head screw	Stainless steel	M4x10	4
25	Adjustable block	Stainless steel		1
24	Cover 2	ABS		1
23	Iner hex round head screw set	Stainless steel	M5x12	2
22	Fixed seat 3	Zinc alloy		1
21	Fixed seat 2	Zinc alloy		1
20	Screw ST4x30	Stainless steel	ST4x30	1
19	Cover 1	ABS		1
18	Bottom waterproof strip	PVC	L=736	1
17	Bottom clamping seat	PA66		1
16	Cover of sliding roller cover	ABS		2
15	Cover of sliding roller	PA66+PA6		2
14	Roller adjustment seat	Zinc alloy		2
13	Roller	POM+Stainless steel		4
12	Wall plug	PA66		11
11	Screw ST4x45	Stainless steel	ST4x45	10
10	Seat of end cover	Zinc alloy		2
9	Iner hex round head screw set	Stainless steel	M4x16	4
8	Fixed seat 1	Zinc alloy		1
7	Wall profile cover	ABS		1
6	Wall profile	Aluminium alloy	L=1907.5	1
5	Handle	Zinc alloy		1
4	Magnetic profile	Aluminium alloy	L=1950	1
3	Fixed glass	Tempered glass	6x864x1920	1
2	Rail	Aluminium alloy	L=1535	1
1	Moving glass	Tempered glass	8x725x1934	1
NO.	Description	Material	Specification	Quantity
PRODUCT NAME		RE2-SL160-S-C 1565x1950 RE2-SL160-S-F 1565x1950 RE2-SL160-M-C 1565x1950	Unit: mm	Version 3
glass pattern		clear glass: single side easy clean	DATE	2019.10.14

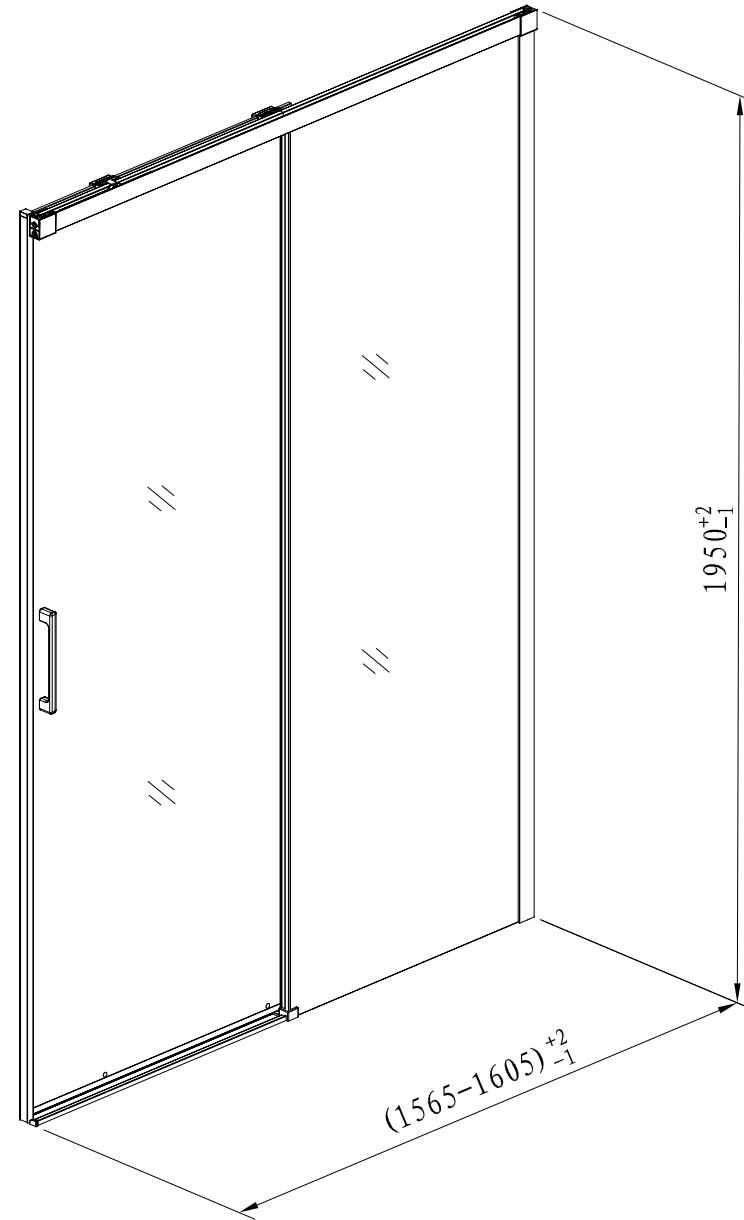


理想®

IDEAL IDEAL SANITARY CO.,LTD



PRODUCT NAME	RE2-SL160-S-C	1565x1950	Unit: mm	Version 3
	RE2-SL160-S-F	1565x1950		
	RE2-SL160-M-C	1565x1950	DATE	2019.10.14



PRODUCT NAME	RE2-SL160-S-C	1565x1950	Unit: mm	Version 3
	RE2-SL160-S-F	1565x1950		DATE
	RE2-SL160-M-C	1565x1950		