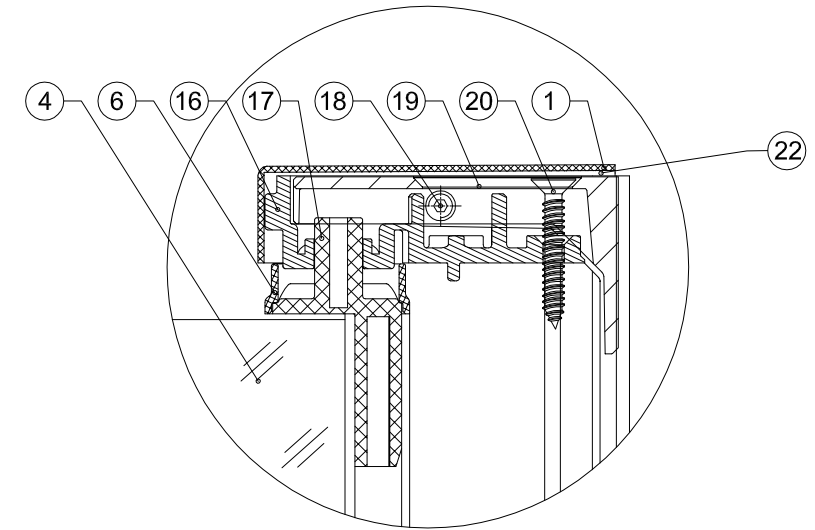
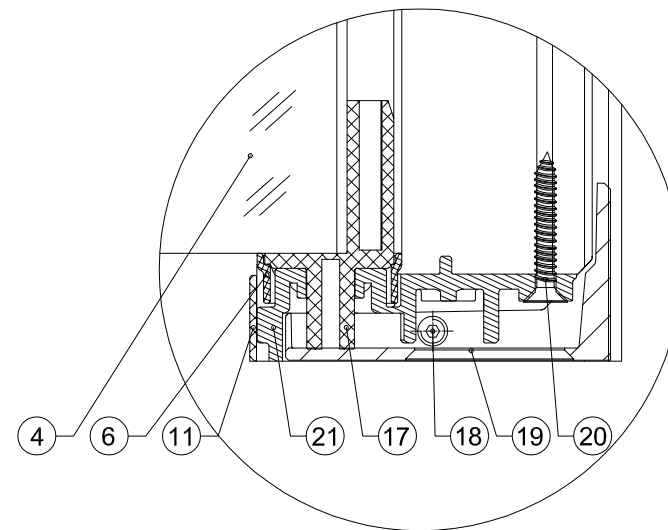


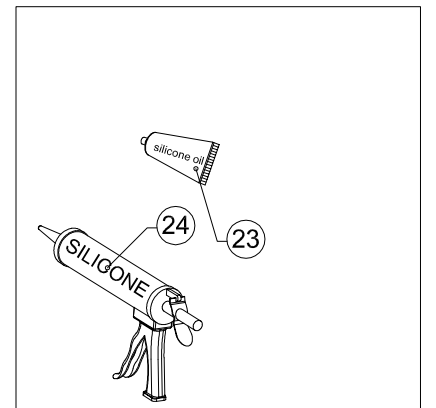
A
Magnify picture



B-B
Magnify picture

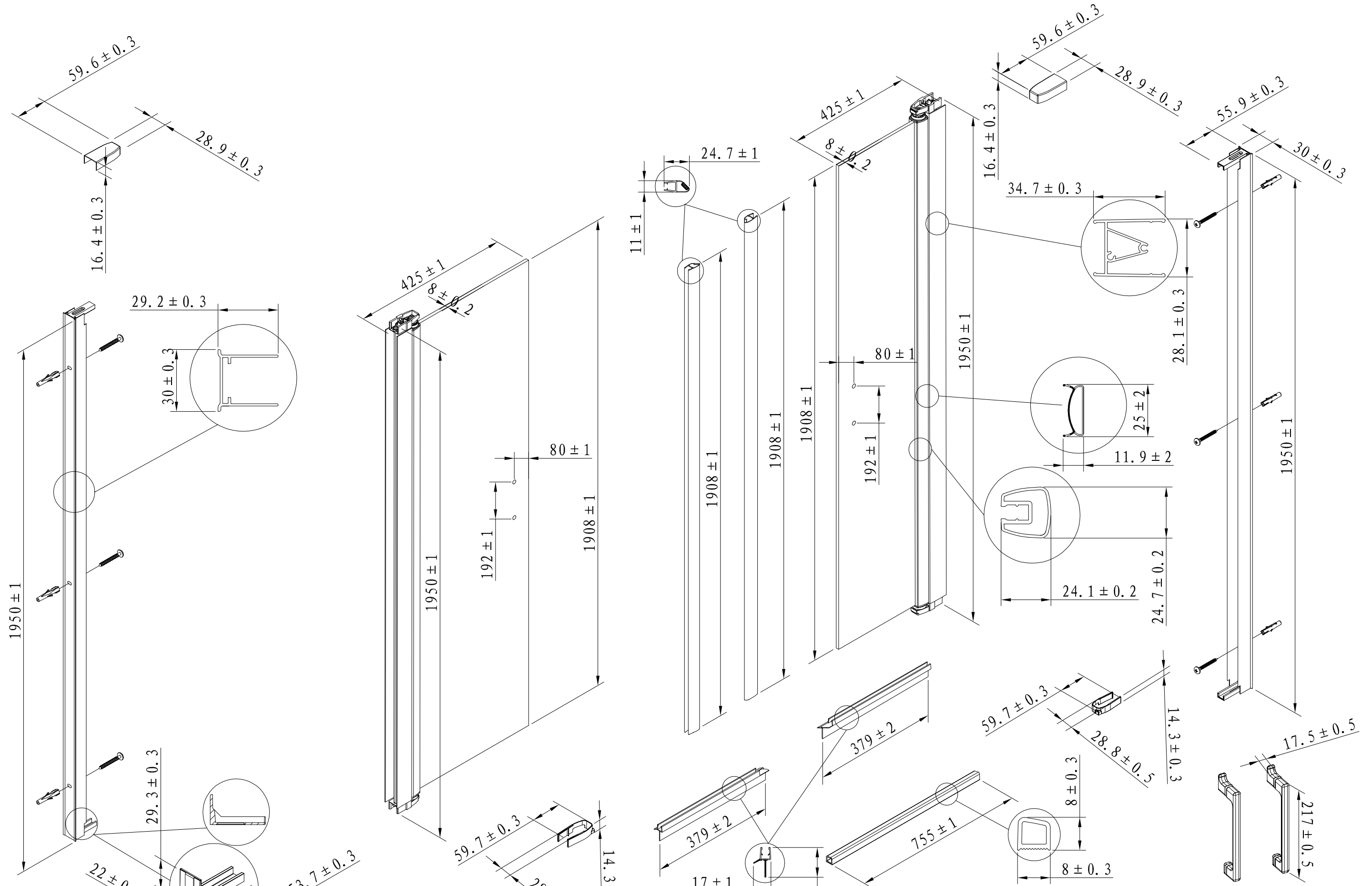


C-C
Magnify picture

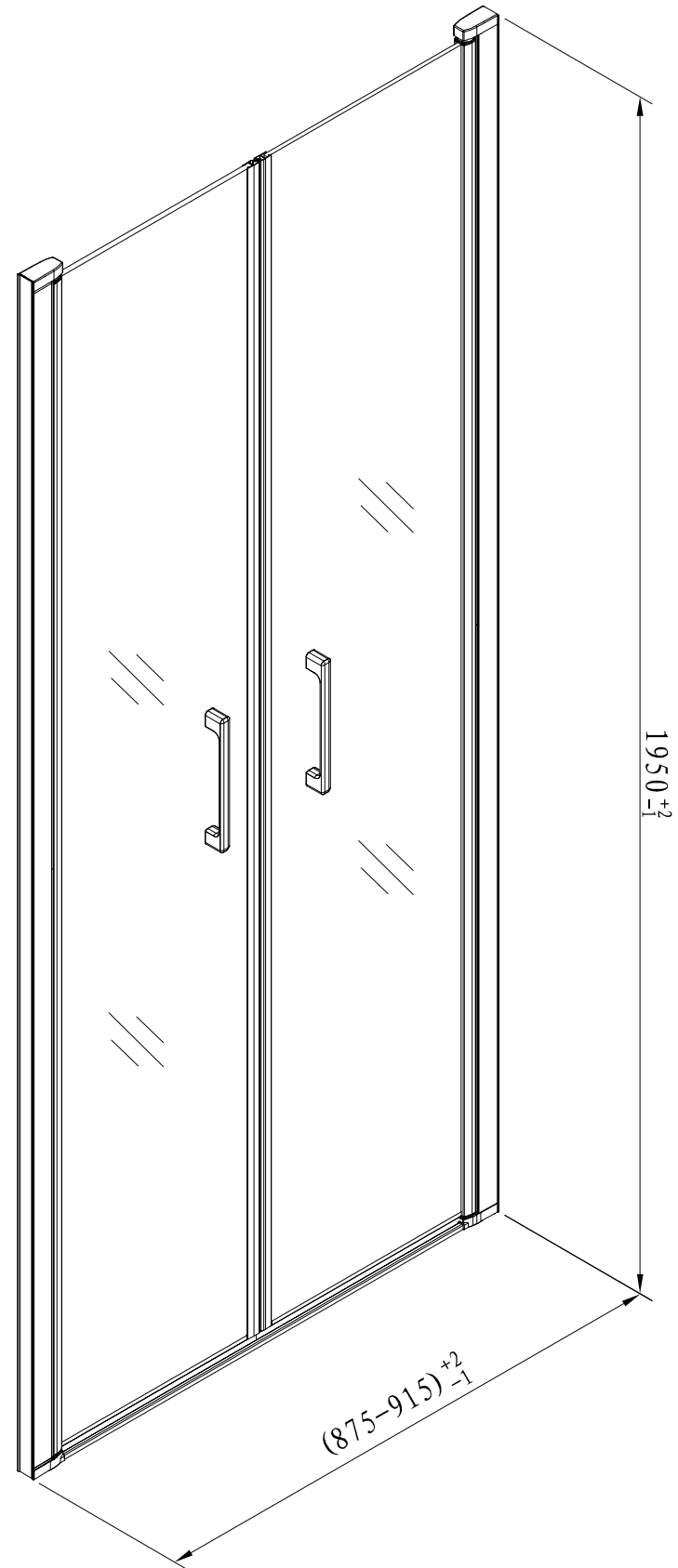


24	silicone	silicone		1/20
23	silicone oil	silicone oil		1/20
22	Foam double-sided tape(34mm wide)	Silica gel	L=20	2
21	Bottom hinged support	Zink alloy		2
20	Countersunk head screw	Stainless steel	ST3.5x30	8
19	Adjustable seat	Zink alloy		4
18	Inner hexad flat tighten screw	Stainless steel	M6X6	4
17	Pivot kit	PA66		4
16	Upper hinged support	Zink alloy		2
15	Wall plug	PA66		6
14	Philip's head ST screw	Stainless steel	ST4x45	6
13	Wall profile	Aluminium alloy	L=1950	2
12	Waterproof strip	PVC	L=1921	2
11	Cover of bottom axes I	ABS		1
10	Bottom waterproof strip	PVC	L=379	2
9	Waterproof bar	Aluminium alloy	L=755	1
8	Cover of bottom axes II	ABS		1
7	Handle	Zink alloy		2
6	Cover of axes sleeve	ABS		4
5	Magnetic strip	PVC	L=1908	1pair
4	Moving glass	Tempered glass	8x379x1908	2
3	Pivot profile	Aluminium alloy	L=1909	2
2	Adjustable frame	Aluminium alloy	L=1921	2
1	Cover of upper axes	ABS		2
NO.	Description	Material	Specification	Quantity

PRODUCT NAME	RE2-SA90-S-C	875x1950	Unit: mm	Version 3
	RE2-SA90-S-F	875x1950		
	RE2-SA90-M-C	875x1950		
glass pattern	clear glass: single side easy clean	DATE	2019.09.25	



PRODUCT NAME	RE2-SA90-S-C	875x1950	Unit: mm	Version 3
	RE2-SA90-S-F	875x1950	DATE	2019.09.25
	RE2-SA90-M-C	875x1950		



PRODUCT NAME	RE2-SA90-S-C	875x1950	Unit: mm	Version 3
	RE2-SA90-S-F	875x1950		2019.09.25
	RE2-SA90-M-C	875x1950	DATE	