

**BARBECUES : 3 SERIES CLASSIC  
L - CLASS 3 L - WL - WLD  
CLASS 3 WLX**



**3 SERIES CLASSIC L  
CLASS 3 L**

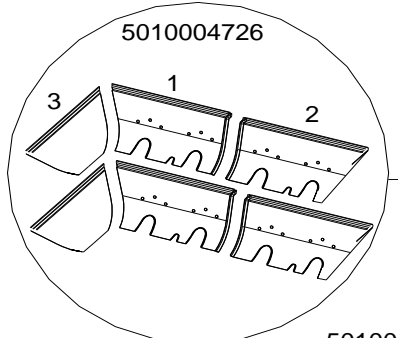


**3 SERIES CLASSIC WL / WLD**

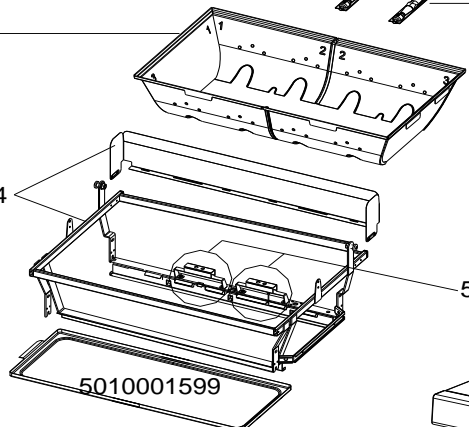
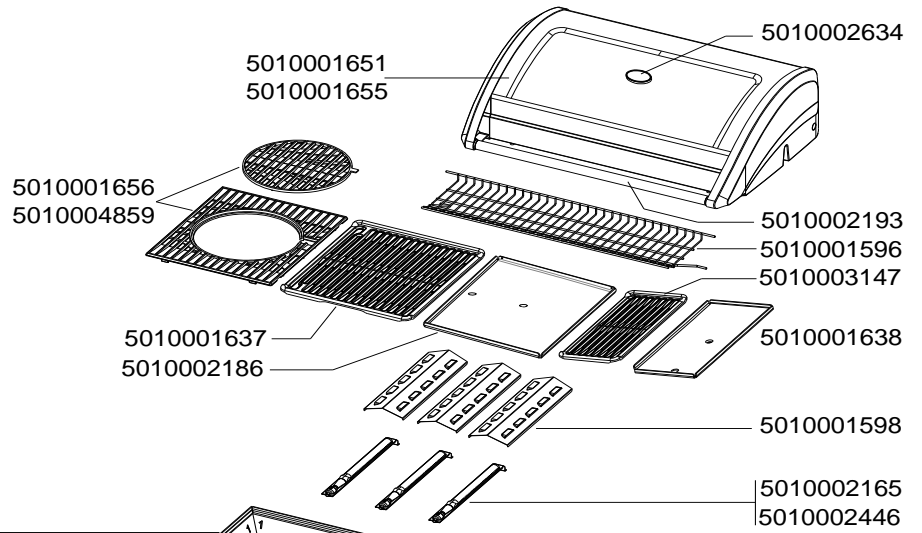
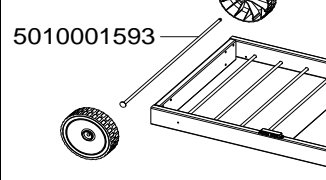
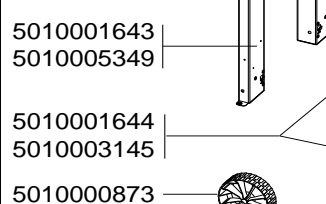
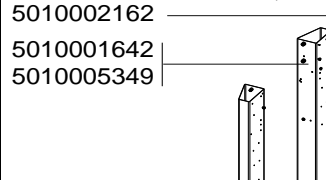
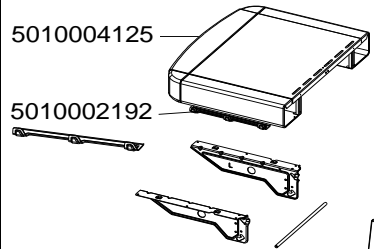


**CLASS 3 WLX**

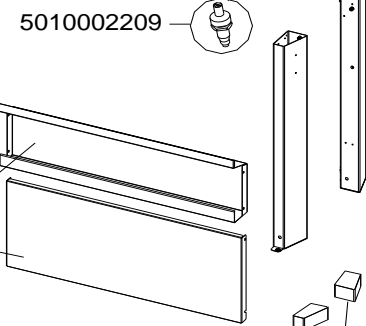
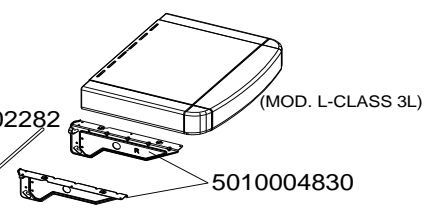
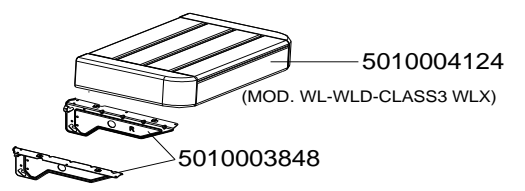
**BARBECUES : 3 SERIES CLASSIC**  
**L - CLASS 3 L - WL - WLD**  
**CLASS 3 WLX**



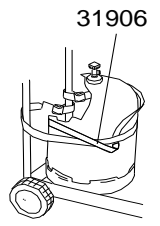
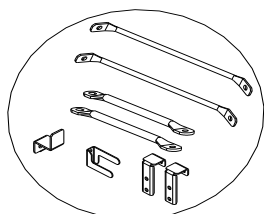
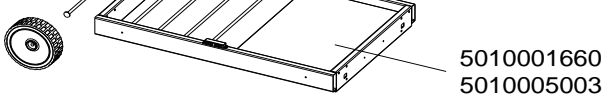
- 5010002163 (Exp)
- 5010002439 (De)
- 5010002441 (Fr)
- 5010004990 (Ch)



**JET / INJECTEUR**  
 5010002164 (28Mb)  
 5010002448 (50 Mb)



| Smooth painting<br>Peinture lisse | Textured painting<br>Peinture grainée |                       |
|-----------------------------------|---------------------------------------|-----------------------|
| 5010002365                        | 5010004130                            | (Mod. 3L)             |
| 5010002450                        | 5010004143                            | (Mod. Class3L)        |
| -                                 | 5010003853                            | (Mod. WL / WLD)       |
| 5010005002                        | -                                     | (Mod. Class3WLX 2018) |



**BARBECUES : 3 SERIES CLASSIC**  
**L - CLASS 3 L - WL - WLD**  
**CLASS 3 WLX**

| SPARE PARTS REF. | POINTS | EN DESCRIPTIONS  | FR DESCRIPTIONS  | 3 SERIES CLASSIC L CLASS 3 L | 3 SERIES CLASSIC WL / WLD | CLASS 3 WLX |
|------------------|--------|--|--|------------------------------|---------------------------|-------------|
| 31906            | 30     | CYLINDER STRAP   | SANGLE BOUTEILLE   | X                            | X                         | X           |
| 5010000873       | 50     | WHEEL  | ROUE   | X                            | X                         | X           |
| 5010001122       | 50     | FRONT AND REAR PLASTIC FEET  | PIEDS PLASTIQUE AVANT ET ARRIERE                                       | X                            | X                         | X           |
| 5010001593       | 30     | WHEEL AXLE   | AXE DE ROUE  | X                            | X                         | X           |
| 5010001594       | 240    | BASE FRAME + WINDSHIELD  | CADRE SUPPORT DE CUVE + PAREVENT                                       | X                            | X                         | X           |
| 5010001596       | 80     | WARMING GRID   | GRILLE DE MIJOTAGE   | X                            | X                         |             |
| 5010001598       | 100    | HEAT DIFFUSER (x1)   | DIFFUSEUR DE CHALEUR (x1)  | X                            | X                         | X           |
| 5010001599       | 50     | GREASE PLATE   | PLATEAU RAMASSE GRAISSE  | X                            | X                         | X           |
| 5010001637       | 140    | STEEL COOKING GRID - SHINY   | GRILLE DE CUISSON ACIER - BRILLANTE                                    | X                            | X                         |             |
| 5010001638       | 160    | SMALL THICK STEEL COOKING GRIDDLE - SHINY                            | PETITE PLAQUE DE CUISSON ACIER EPAIS - BRILLANTE                       | X                            | X                         | X           |
| 5010001642       | 100    | CARRIAGE LEGS: FRONT RIGHT NR.4 OR REAR LEFT NR.2 (MOD. BEFORE 2019) | PIED CHARIOT: AVANT DROITE N.4 OU ARRIERE GAUCHE N.2 (MOD. AVANT 2019) | X                            | X                         | X           |
| 5010001643       | 100    | CARRIAGE LEGS: FRONT LEFT NR.1 OR REAR RIGHT NR.3 (MOD. BEFORE 2019) | PIED CHARIOT: AVANT GAUCHE N.1 OU ARRIERE DROIT N.3 (MOD. AVANT 2019)  | X                            | X                         | X           |
| 5010001644       | 140    | FRONT SHEETS (TOP + BOTTOM) - LIGHT GREY                             | JUPES TOLE (HAUT + BAS) - GRIS CLAIR                                   | X                            |                           | X           |
| 5010001651       | 550    | LID WITH THERMOMETER - BLACK   | COUVERCLE AVEC THERMOMETRE - NOIR                                      | X                            | X                         |             |
| 5010001655       | 650    | ENAMELLED LID WITH THERMOMETER - LIGHT GREY                          | COUVERCLE EMAILLE AVEC THERMOMETRE - GRIS CLAIR                        |                              |                           | X           |
| 5010001656       | 270    | ENAMELLED CAST IRON GRID (FRAME + CIRCLE) - SHINY                    | GRILLE DE CUISSON FONTE EMAILLEE (CADRE + CERCLE) - BRILLANTE          |                              |                           | X           |
| 5010001660       | 200    | CHASSIS (MOD. BEFORE 2019)   | CHASSIS (MOD. AVANT 2019)  | X                            | X                         | X           |
| 5010002162       | 70     | KNOB (x2)  | VOLANT (x2)  | X                            | X                         | X           |
| 5010002163       | 200    | GAS PIPE 28Mb (Export)   | TUBULURE 28Mb (Export)   | X                            | X                         |             |
| 5010002164       | 30     | JET  | INJECTEUR  | X                            | X                         | X           |
| 5010002165       | 120    | STAINLESS STEEL BURNER 28Mb  | BRULEUR INOX 28Mb  | X                            | X                         | X           |
| 5010002186       | 250    | THICK STEEL ENAMELLED GRIDDLE - SHINY                                | PLAQUE DE CUISSON ACIER EMAILLE EPAISSE - BRILLANTE                    |                              | X                         |             |
| 5010002192       | 40     | USTENSIL HOOK  | PORTE USTENSILES   | X                            | X                         | X           |
| 5010002193       | 70     | STAINLESS STEEL HANDLE + INSULATING + ENDS                           | POIGNEE INOX + ISOLANT + EMBOUTS                                       | X                            | X                         | X           |
| 5010002209       | 70     | PIEZO DOUBLE   | PIEZO DOUBLE   | X                            | X                         | X           |
| 5010002282       | 30     | REINFORCEMENT WIRE SIDE SHELF  | FIL RENFORT ETAGERE  | X                            |                           |             |
| 5010002365       | 110    | TOP + BOTTOM CONTROL PANELS - SMOOTH DARK GREY (MOD.3 L)             | CONSOLES HAUT + BAS - LISSE GRIS FONCE (MOD.3 L)                       | X                            |                           |             |
| 5010002439       | 300    | GAS PIPE 50Mb 1/4" (De)  | TUBULURE 50Mb 1/4" (De)  | X                            | X                         |             |
| 5010002441       | 270    | GAS PIPE 28Mb 1/2" (Fr)  | TUBULURE 28Mb 1/2" (Fr)  | X                            | X                         | X           |
| 5010002446       | 110    | STAINLESS STEEL BURNER 50Mb  | BRULEUR INOX 50Mb  | X                            | X                         |             |
| 5010002448       | 30     | JET  | INJECTEUR  | X                            | X                         |             |
| 5010002450       | 130    | TOP + BOTTOM PANELS - SMOOTH GREY (CLASS 3L/WOODY L)                 | CONSOLES HAUT + BAS - LISSE GRIS (CLASS 3L/WOODY L)                    | X                            |                           |             |
| 5010002634       | 50     | THERMOMETER WITH BEZEL   | THERMOMETRE AVEC COUPELLE  | X                            | X                         | X           |
| 5010003145       | 130    | FRONT SHEETS (TOP+BOTTOM) - DARK GREY                                | JUPES TOLE (HAUT+BAS) - GRIS FONCE                                     |                              | X                         |             |
| 5010003147       | 110    | SMALL STEEL ENAMELLED COOKING GRID - SHINY                           | PETITE GRILLE DE CUISSON EMAILLEE - BRILLANTE                          |                              | X                         |             |

**BARBECUES : 3 SERIES CLASSIC**  
**L - CLASS 3 L - WL - WLD**  
**CLASS 3 WLX**

| SPARE PARTS REF. | POINTS | EN DESCRIPTIONS  | FR DESCRIPTIONS   | 3 SERIES CLASSIC L<br>CLASS 3 L | 3 SERIES CLASSIC WL / WLD | CLASS 3 WLX |
|------------------|--------|--|---|---------------------------------|---------------------------|-------------|
| 5010003148       | 60     | SCREW BAG  | SACHET DE VIS   | X                               | X                         | X           |
| 5010003848       | 70     | RIGHT AND LEFT SIDE SHELF SUPPORTS                               | SUPPORTS (DROITE ET GAUCHE)   |                                 | X                         | X           |
| 5010003853       | 120    | TOP + BOTTOM CONTROL PANELS - SMOOTH LIGHT GREY                  | CONSOLES HAUT + BAS - LISSE GRIS CLAIR                                  |                                 | X                         |             |
| 5010004124       | 220    | LEFT OR RIGHT WOODY SIDE TABLE - TEXTURED DARK GREY              | ETAGERE BOIS GAUCHE OU DROITE - GRAINE GRIS FONCE                       |                                 | X                         | X           |
| 5010004125       | 190    | LEFT OR RIGHT SIDE TABLE WITH USTENSIL HOOK - TEXTURED DARK GREY | ETAGERE GAUCHE OU DROITE AVEC PORTE USTENSILES - GRAINE GRIS FONCE      | X                               |                           |             |
| 5010004130       | 110    | TOP + BOTTOM FRONT PANELS - TEXTURED DARK GREY (MOD.3 L)         | CONSOLES HAUT + BAS - GRAINE GRIS FONCE (MOD.3 L)                       | X                               |                           |             |
| 5010004143       | 100    | TOP + BOTTOM PANELS - TEXTURED DARK GREY (CLASS 3L)              | CONSOLES HAUT + BAS - GRAINE GRIS FONCE (CLASS 3L)                      | X                               |                           |             |
| 5010004726       | 290    | KIT OF REMOVABLE PARTS (FIREBOX)                                 | KIT DE PARTIES AMOVIBLES (CUVE)   | X                               | X                         | X           |
| 5010004830       | 60     | SIDE SHELF SUPPORTS (RIGHT AND LEFT) - TEXTURED                  | SUPPORTS ETAGERE (DROITE ET GAUCHE) - GRAINE                            | X                               |                           |             |
| 5010004859       | 230    | ENAMELLED CAST IRON GRID (FRAME + CIRCLE) - SHINY (MOD. 2018)    | GRILLE DE CUISSON FONTE EMAILLEE (CADRE+CERCLE) - BRILLANTE (MOD. 2018) |                                 |                           | X           |
| 5010004875       | 100    | ACCESSORY BAG  | SACHET D'ACCESSOIRES  | X                               | X                         | X           |
| 5010004931       | 50     | LID PADS(x2) + BASE CUSHIONS(x2) + LEG GROMMETS(x4)              | PATINS COUVERCLE(x2) + BOUCHONS CUVE(x2) + RONDELLES PIED(x4)           | X                               | X                         | X           |
| 5010004990       | 250    | GAS PIPE 28Mb 1/4" (Ch)  | TUBULURE 28Mb 1/4" (Ch)   | X                               |                           |             |
| 5010005002       | 110    | TOP + BOTTOM CONTROL PANELS - SMOOTH LIGHT GREY                  | CONSOLES HAUT + BAS - LISSE GRIS CLAIR                                  |                                 |                           | X           |
| 5010005003       | 180    | CHASSIS (MOD. FROM 2019)   | CHASSIS (MOD. A PARTIR DE 2019)   | X                               | X                         | X           |
| 5010005349       | 280    | KIT LEGS (X4) (MOD. FROM 2019)                                   | KIT PIEDS (X4) (MOD. A PARTIR DE 2019)                                  | X                               | X                         | X           |
| 5010005398       | 90     | KIT OF ELECTRODES + HOUSINGS                                     | KIT ELECTRODES + SUPPORTS   | X                               | X                         | X           |