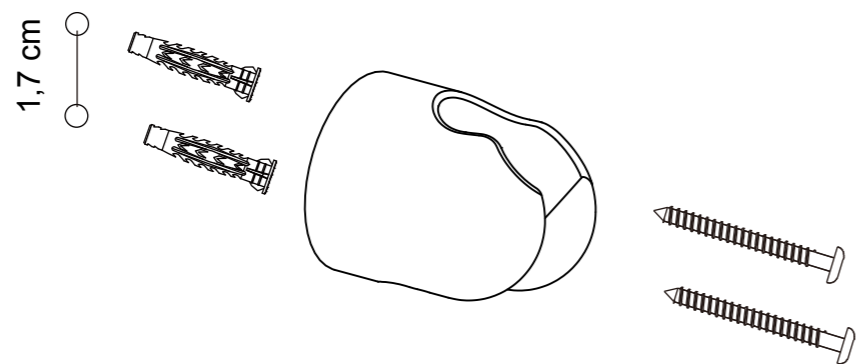
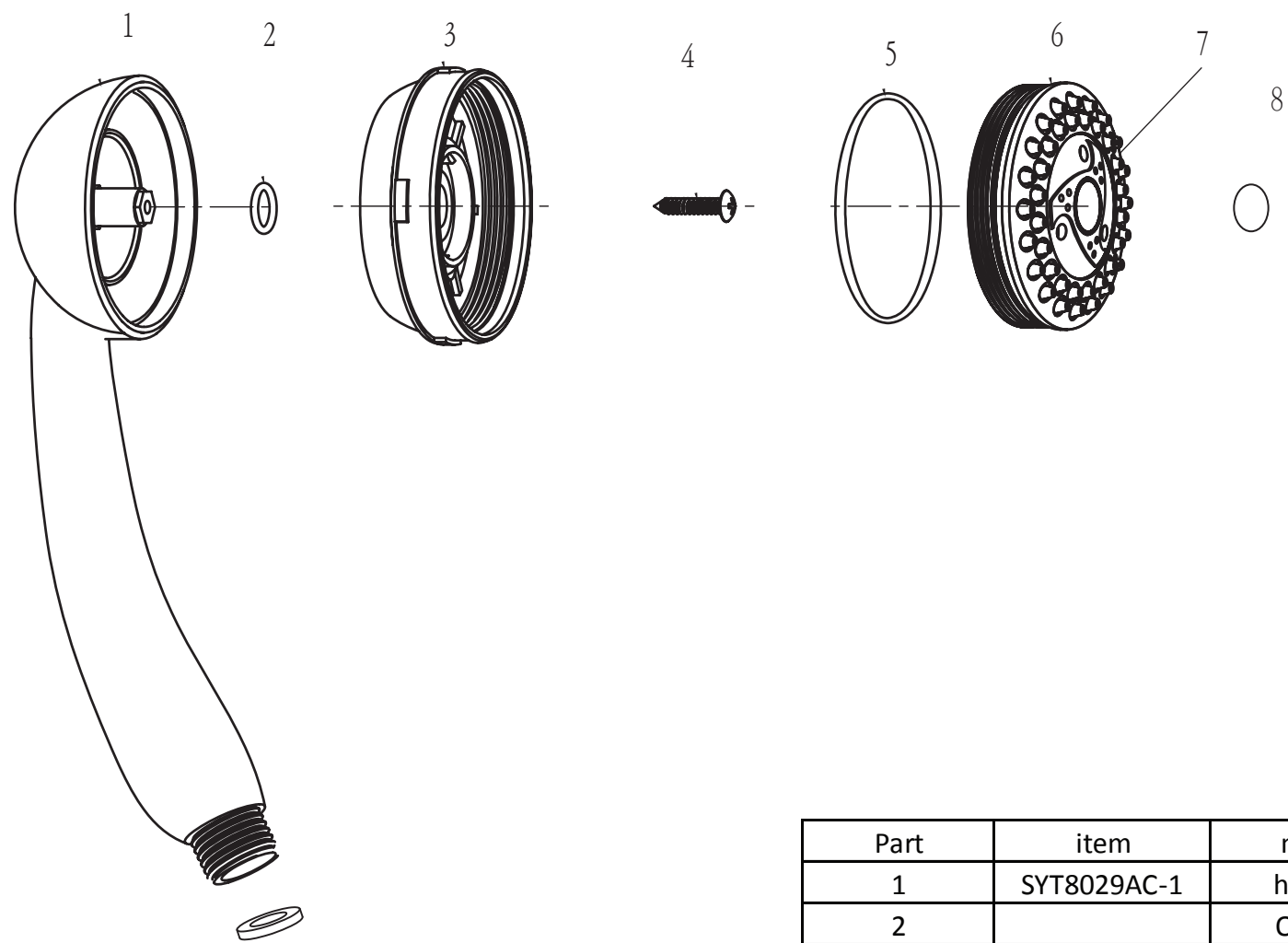


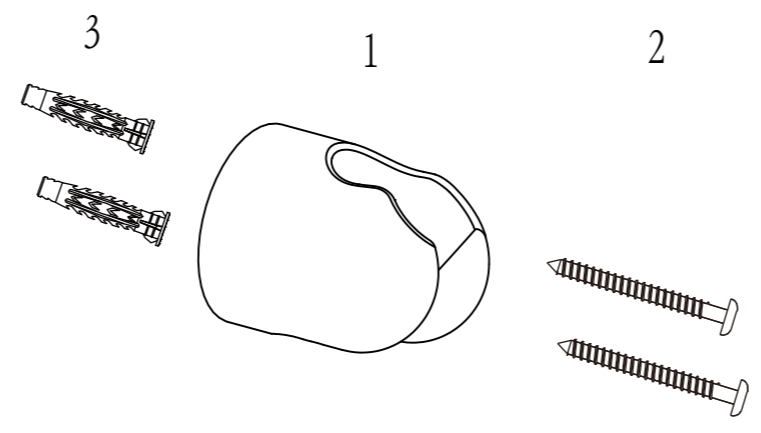
EAN CODE 3276000698272 SUPPLIER REF: SYT8029ACTS3

EXPLODED DRAWING SEE NEXT PAGES

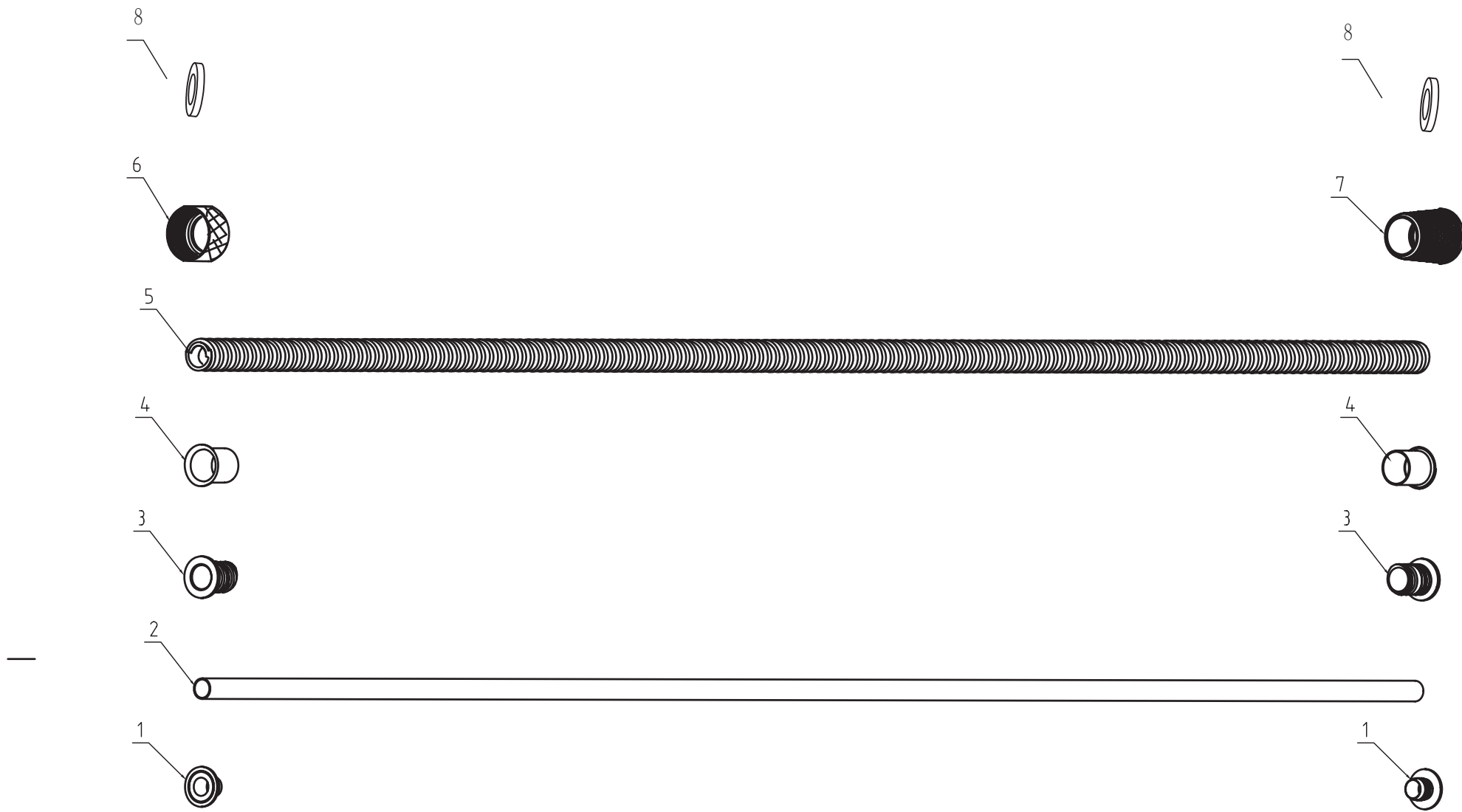




Part	item	name	material
1	SYT8029AC-1	handle	ABS
2		O-ring	SILICONE
3	SYT8029AC-2	Base	ABS
4	SYT8029AC-3	screw	S/S
5		O-ring	SILICONE
6	SYT8029AC-4	faceplate	ABS
7	SYT8029AC-5	nozzle	TPE
8	SYT8029AC-6	cover	ABS



Part	item	name	material
1	F91	wall bracket	ABS
2	$\phi 4 \times 50 \text{mm}$	screw	S/S
3	$\phi 6 \times 40 \text{mm}$	plug	pp



Part	item	name	material
1	S5-1	core	POM
2	S5-2	inner tube	PVC
3	S5-3	sleeve	PA66
4	S5-4	sleeve	S/S
5	S5-5	outer tube	S/S
6	S5-6	hexagen nut	brass
7	S5-7	cone nut	brass
8		o-ring	silicone