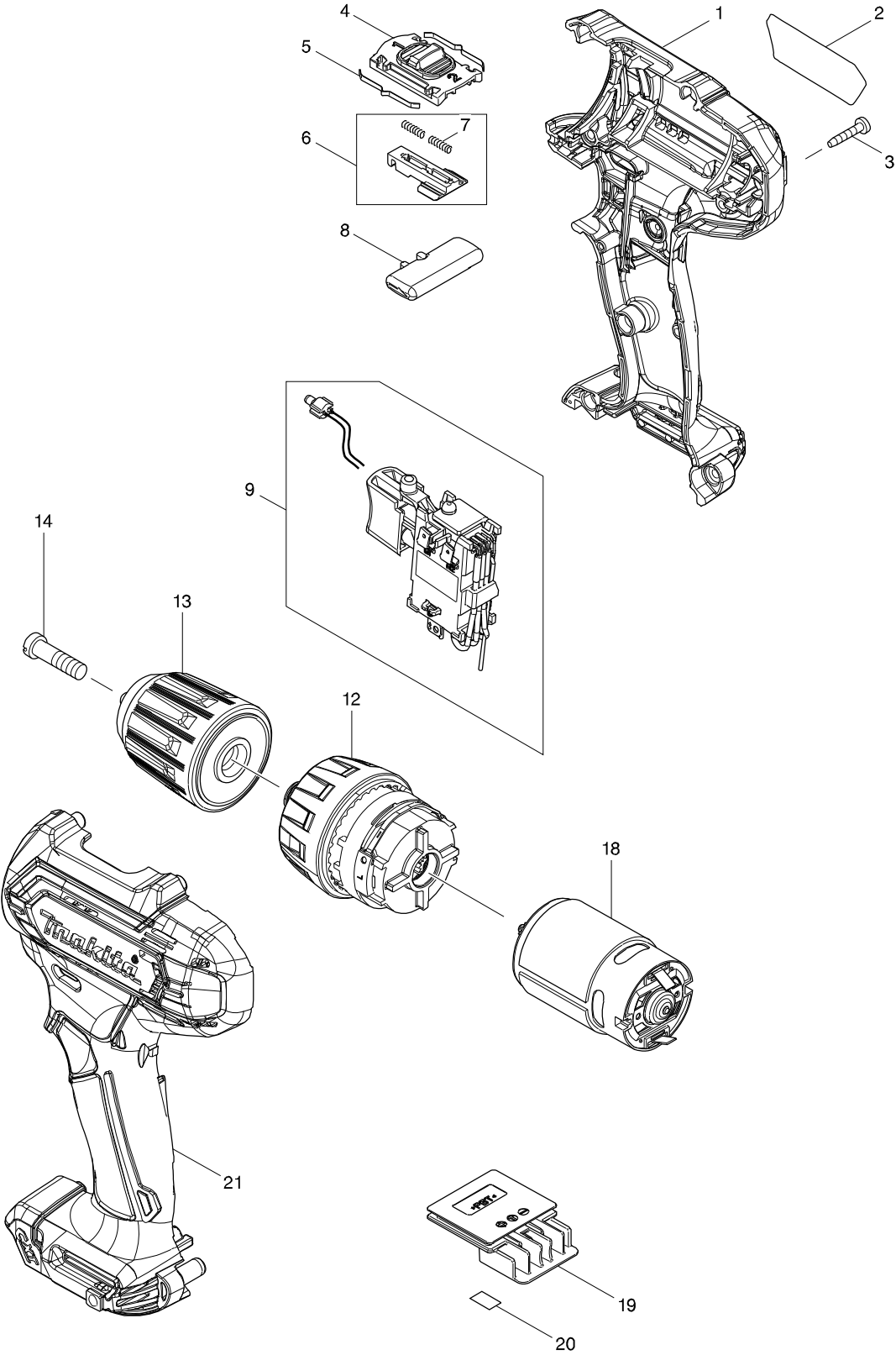


Numéro du modèle DF333D CORDLESS DRIVER DRILL



Position	Référence pièce	Description	Echar	QTE	N/O	Option 1	Option 2	COMMENTAIRE
001	183K90-5	HOUSING SET		1				
C10	252126-6	HEX. LOCKING NUT M4-7		2	65		P2	
D10		INC. 21						
002	855E35-4	DF333D NAME PLATE		1				
003	266429-2	TAPPING SCREW 3X16		9	0		P1	
004	459026-3	SPEED CHANGE LEVER		1				
005	232493-5	LEAF SPRING		2				
006	127127-2	CHANGE LEVER ASSEMBLY		1				
D10		INC. 7						
007	233025-1	COMPRESSION SPRING 2		2	0		P3	
008	456039-5	F/R CHANGE LEVER		1			P1	
009	632J76-5	SWITCH UNIT		1			P23	
C10	620625-0	LED CIRCUIT		1				
C20	688161-2	LINE FILTER		1	0		A1	
012	127125-6	GEAR ASSEMBLY		1				
013	763238-5	KEYLESS DRILL CHUCK 10		1			A15	
014	251468-5	- FLAT HEAD SCREW M6X22		1	0		P1	
018	629395-8	DC MOTOR		1				
019	644813-5	TERMINAL		1			P68	
020	855E42-7	DF333D SERIAL NO. LABEL		1				
021	183K90-5	HOUSING SET		1				
C10	252126-6	HEX. LOCKING NUT M4-7		2	65		P2	
D10		INC. 1						
A01	251314-2	+ SCREW M4X12		1	0		P1	
A02	346909-5	HOOK		1			P1	
A03	784244-7	+ BIT 2-50		1	6		A2	
A04B	821661-1	PLASTIC CARRYING CASE		1				
C10	417724-5	LATCH		2	65		P2	
A04C	821549-5	CONNECTOR PLASTIC CASE (TYPE1)		1	8		A26	
C10	453974-8	LATCH		4	0		P1	
A05B	818P85-6	DF333DSAE MODEL NO. LABEL		1				
A05C	818P99-5	DF333DWAJ INDICATION LABEL		1				
A06C	818R00-2	DF333DWAJ PLASTIC CASE LABEL		2				
A07C	838312-9	INNER TRAY		1			P10	
A08B	456128-6	BATTERY COVER		1			P1	
A08C	456128-6	BATTERY COVER		1			P1	
A09B	***DC10SB	DC10SB BATTERY CHARGER		1				
D10		COMPO-PARTS						
A09C	***DC10WD	DC10WD BATTERY CHARGER		1				
D10		COMPO-PARTS						
A10B	197396-9	BATTERY BL1021B SET		2				
A10C	197396-9	BATTERY BL1021B SET		2				
E01	632N11-7	LINE FILTER UNIT		1				