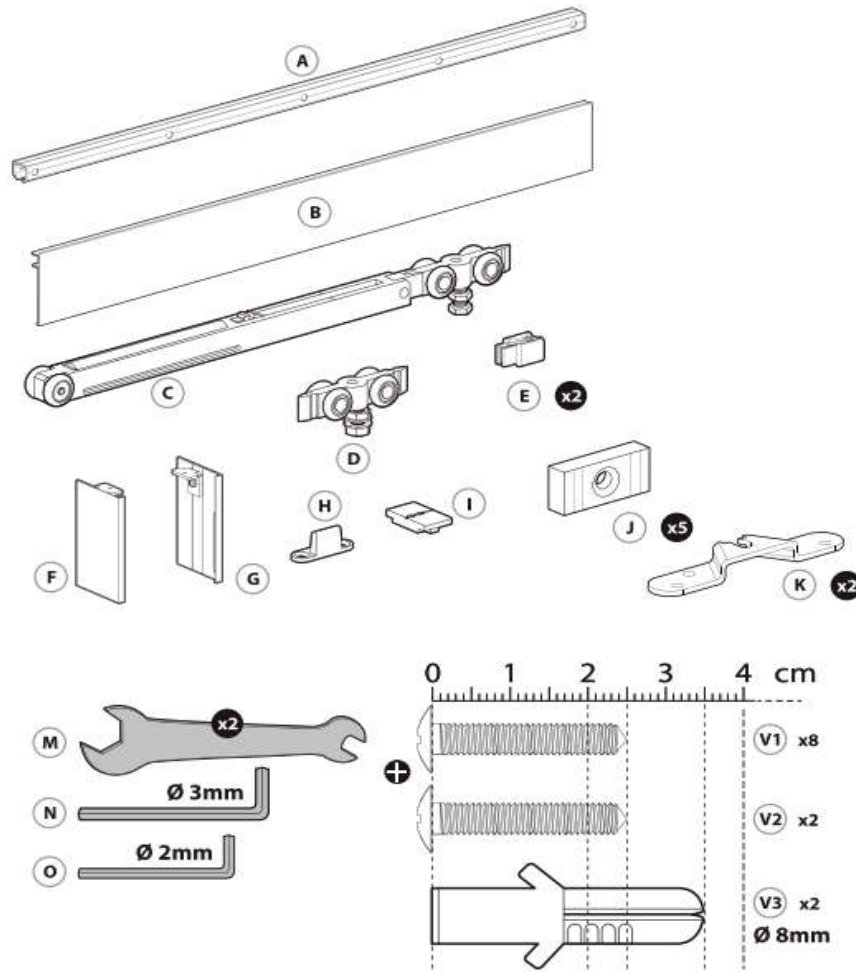


Product exploded view

ADEO Ref	846485
EAN Code	3276000461852



Parts No.	Name	Quantity	Material & Surface process
A	Rail	1	Aluminum &oxidation
B	Cover	1	Aluminum &White
C	Sliding roller	1	SS304;Zinc;POM;Aluminum
D	Sliding roller	1	SS304;Zinc;POM&Steel
E	Door stopper	2	POM;Rubber;Carbon steel;SS304 & Black
F	End cap	1	Aluminum;SS304&White
G	End cap	1	Aluminum;SS304&White
H	Floor guide	1	POM&Black
I	Trigger	1	Aluminum &Natural
J	Spacer	5	Nylon & Black
K	Roller&Door Connector	2	Carbon steel &galvanized
M	Wrench	2	Carbon steel &galvanized
N	Hex Wrench	1	Carbon steel &galvanized
O	Hex Wrench	1	Carbon steel &galvanized
V1	Screw	8	SS304
V2	Screw	2	SS304
V3	Wall Plug	2	PE