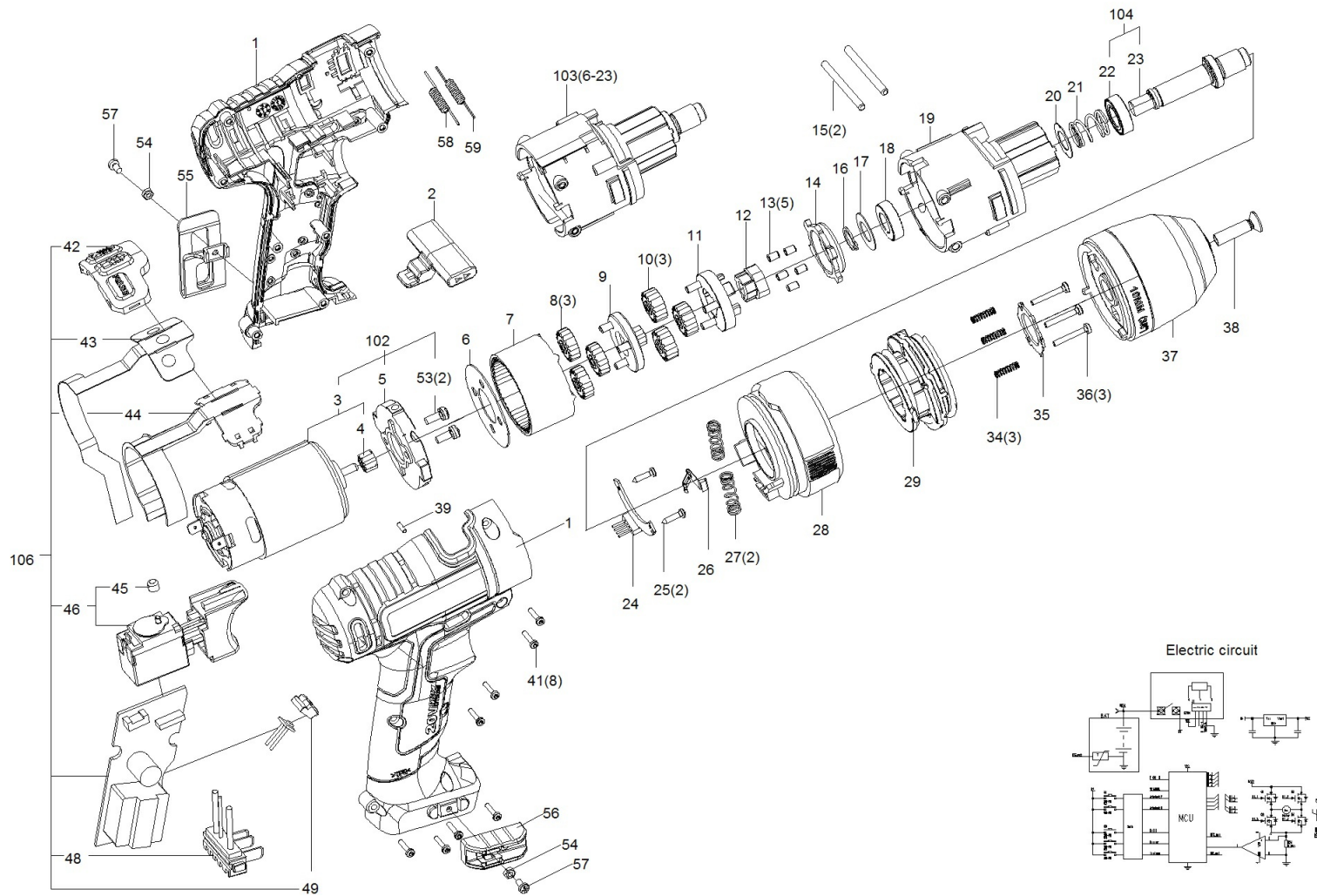


WX178.9



## WX178.9

	Part No	Description	Remark	Substitute parts	Qty
1	50031660	Left/Right Housing			1
2	50026489	FR Button			1
3	50031626	Motor		50035206	1
3	50035206	Motor			1
4	50015525	Pinion			1
5	50026670	Adapter Ring			1
6	50006129	Rear flange			1
7	50016622	Ring Gear			1
8	50015516	Planetary Gear			3
9	50031616	Planet Carrier			1
10	50015517	Planetary Gear			3
11	50031617	Planet Plate I			1
12	50020238	Transformation Ring			1
13	50020237	Roller			5
14	50020239	Fixing Ring			1
15	50022085	Pin			2
16	50003089	Ring			1
17	50020241	Washer III			1
18	50031625	Oil Seal Bearing			1
19	50031618	Gear Case Body			1

WX178.9

🗨	Part No	Description	Remark	Substitute parts	Qty
21	50017747	Compression Spring			1
22	50020258	Ball Bearing			1
23	50031619	Spindle			1
24	50031459	Detection plate			1
25	50027593	Self Tapping Screw			2
26	50031461	Spring Plate I			1
27	50031460	Compression spring			2
28	50031452	Knob			1
29	50031456	Clutch Unit			1
34	50024524	Pressure spring			3
35	50031455	Washer I			1
36	50028997	Screw ST2.2X13			3
37	50031458	Drill Chuck			1
38	50026146	Screw		50033099	1
38	50033099	Screw			1
39	50022242	Spring Pin			1
41	50025738	Self Tapping Screw			8
42	50031622	Contol Panel			1
43	50031623	Micro Switch			1
44	50031624	Support Plate			1

WX178.9

	Part No	Description	Remark	Substitute parts	Qty
45	50020259	Switch Cover			1
46	50031620	Switch		50038460	1
46	50038460	Switch			1
48	50029139	Terminal			1
49	50031621	Light Cover			1
53	50002724	Screw washer assembly		50002889	2
53	50002889	Self tapping screw			2
54	50018239	Nut			2
55	50027933	Hook			1
56	50026497	Bits Holder			1
57	50025475	Screw			2
62	50023603	Magnetic Ring	>=201731002451(EU)		1
102	50031627	Motor Set		50035207	1
102	50035207	Motor Set			1
103	50031462	Gear Case Set			1
104	50031628	Spindle Set			1
106	50031661	Switch & PCM Board Assembly			1
F1	50031683	Rated Label			1
F2	50018085	Driving Bit			1