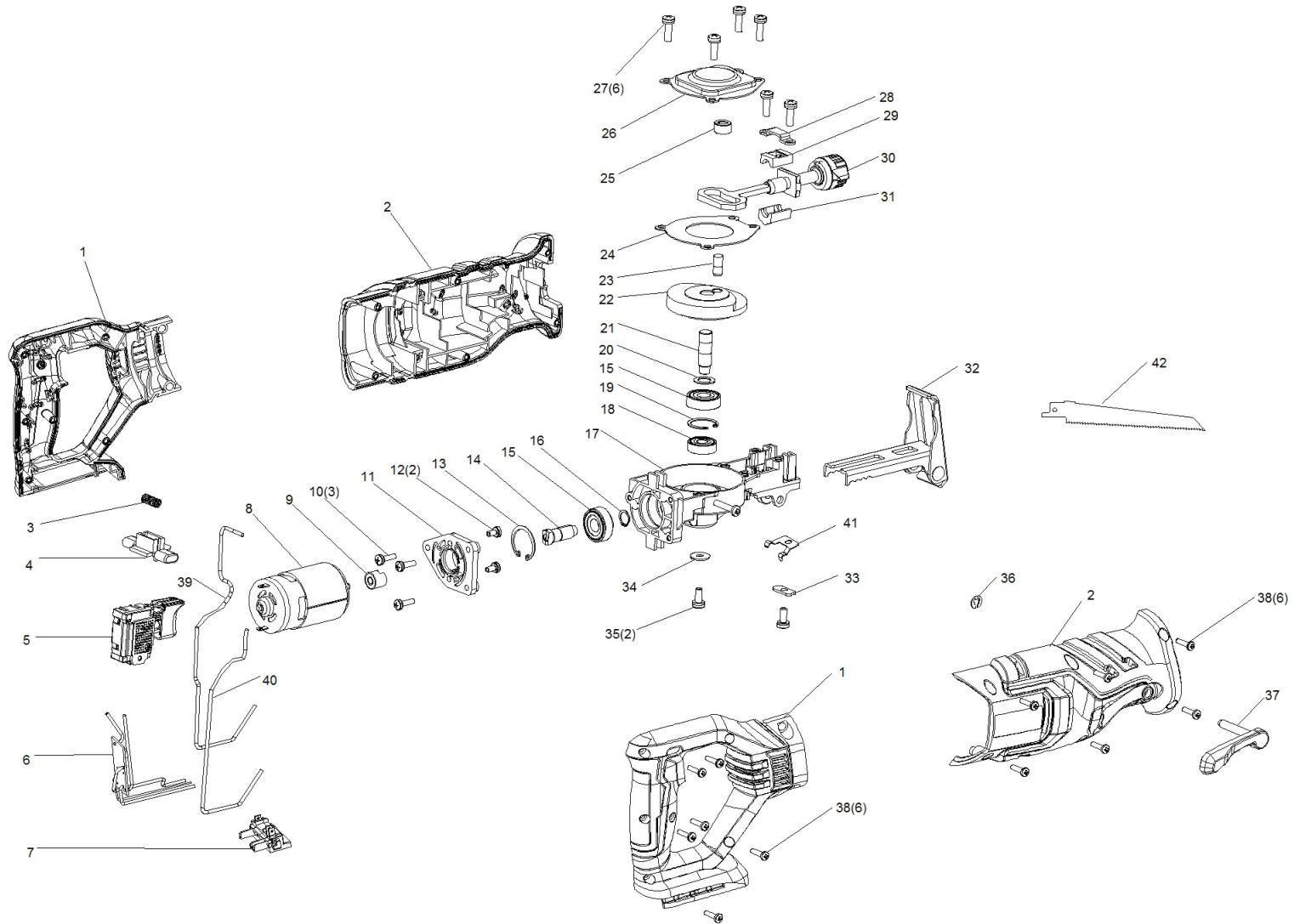


WX500L.A






WX500L.A


	Part No	Description	Qty
1	60052621	Left/Right Handle	1
2	60052622	Left/Right Housing	1
3	60049608	Compression spring	1
4	60051234	Left/Right Housing	1
5	60051235	Switch	1
6	60052623	PCM	1
7	60051500	Terminal	1
8	60049592	DC motor	1
9	60049593	Transfer shaft	1
10	60050201	Screw washer assembly	3
11	60049594	Connection block	1
12	60046819	Screw	2
13	60049605	Ring	1
14	60049595	Pinion	1
15	60051231	Ball bearing 6000	2
16	60046835	Washer	1
17	60049596	Gear Case	1
18	60051588	Bearing 608-2RS	1
19	60042333	E Ring 22	1
20	60046836	Washer	1



WX500L.A

	Part No	Description	Qty
21	60042337	Spindle	1
22	60049598	Gear	1
23	60042338	Driving Rotor	1
24	60042339	Gear Cover	1
25	60042340	Roller	1
26	60042342	Gear Case Cover	1
27	60042343	Screw Washer Assembly	6
28	60042344	Oil Seal Bearing Cover	1
29	60042345	Oil Seal Bearing 1	1
30	60049599	Reciprocating Shaft	1
31	60042346	Oil Seal Bearing 2	1
32	60048813	Support Plate	1
33	60049600	Press plate	1
34	60045088	Washer5	1
35	60042349	Screw Washer Assembly	2
36	60039908	Retaining Ring	1
37	60051236	Spanner	1
38	60049607	Self Tapping Screw	12
39	60052624	Internal Lead (Red)	1
40	60052625	Internal Lead (Black)	1

WX500L.A

	Part No	Description	Qty
41	60050378	Spring	1
42	60052626	Blade For Wood	1
50	60051227	Ball Bearing 6000-2RS	1