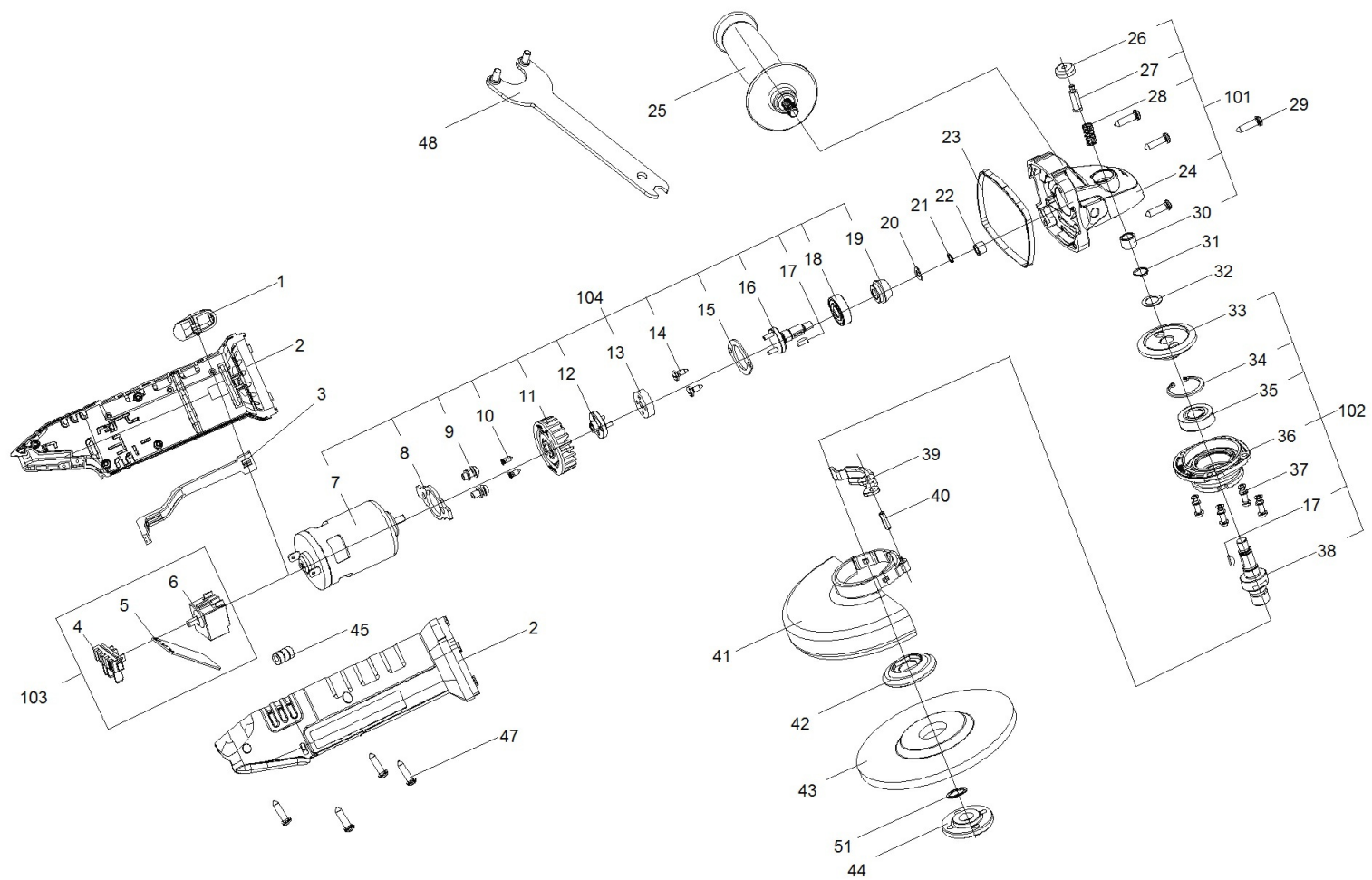



WX803.9



	Part No	Description	Substitute parts	Qty
1	60042935	Switch button		1
2	60051555	Left/Right Housing		1
3	60042937	Switch Lever		1
4	50024441	Terminal		1
5	60042939	Power Supply Board		1
6	60046811	Switch		1
7	60051254	Dc Motor		1
8	60042942	Clip Plate		1
9	50022165	Screw washer assembly		2
10	60039434	Screw		2
11	60042945	Fan		1
12	60042946	Drive Unit		1
13	60042947	Adapter Ring		1
14	60046819	Screw		2
15	60042949	Bearing press plate		1
16	60042950	Transformation Ring		1
18	60051247	Ball Bearing 609		1
19	60042953	Pinion		1
20	60042954	Washer		1
21	60051251	Retaining Ring		1

WX803.9

🗨	Part No	Description	Substitute parts	Qty
22	60042956	Oil Seal Bearing		1
23	60042957	Decorative Ring		1
24	60042958	Fore Housing		1
25	60042959	Auxiliary Handle Assembly		1
26	60042960	Spindle Lock Cap		1
27	60042961	Spindle Lock Pin		1
28	60042962	Compression spring		1
29	60026310	Self Tapping Screw		4
29	60046833	Screw		4
29	60051243	Self Tapping Screw	60026310	4
30	60042964	Oil Seal Bearing		1
31	60042965	Retaining Ring 10		1
32	60042966	Washer		1
33	60042967	Gear		1
34	60042968	Ring		1
35	60051253	Bearing 6001-2Z		1
36	60042970	Gear Cover		1
36	60051244	Gear Cover	60042970	1
37	60042971	Screw washer assembly		4
38	60042972	Spindle		1

WX803.9

☰	Part No	Description	Substitute parts	Qty
39	60051242	Handle		1
40	60032504	Spring Pin		1
41	60051249	Guard		1
42	50004287	Inner Flange		1
43	50003703	Grinding wheel		1
44	60051330	Outer Flange		1
45	50023603	Magnetic Ring		3
47	60042978	Self tapping screw		4
48	60046852	Spanner		1
51	50000746	O-ring	60051252	1
51	60051252	O-ring		1
101	60051556	Fore Housing Assembly		1
102	60051557	Gear Cover Assembly		1
103	60051558	Motor&Gear Assembly		1
104	60051559	Switch&PCB Board Set		1
F1	50040793	Color box for WX803.9		1
F2	50040794	Rated Label		1