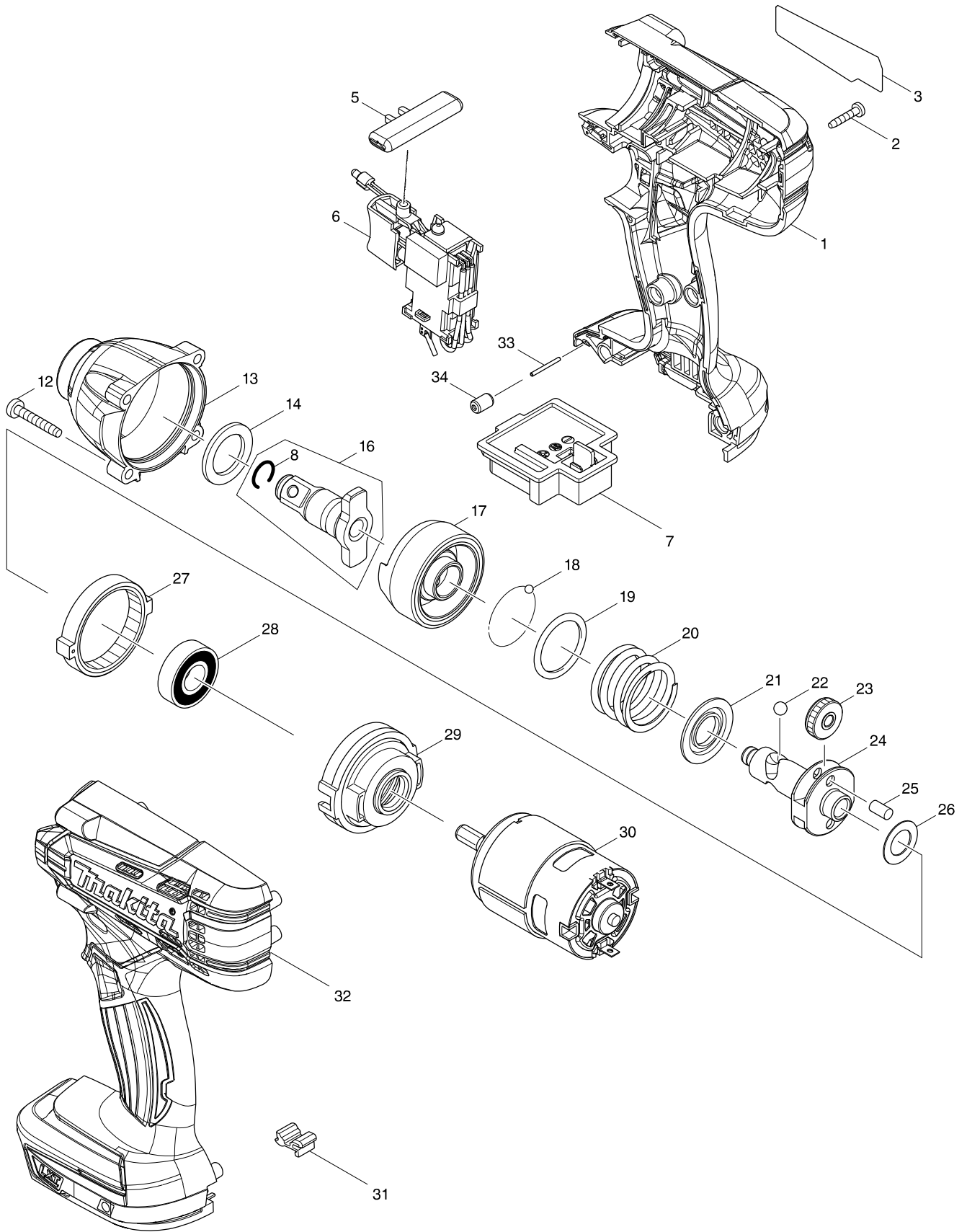


Numéro du modèle DTW190 CORDLESS IMPACT WRENCH



Numéro du modèle DTW190 CORDLESS IMPACT WRENCH

Position	Référence pièce	Description	Echelle	QTE	N/O	Option 1	Option 2	COMMENTAIRE
001	183D73-3	HOUSING SET		1	*			
C10	263005-3	RUBBER PIN 6		2	*	P2		
C20	252126-6	HEX. LOCKING NUT M4-7		2	*	P2		
D10		INC. 32			*			
001-1	183D73-3	HOUSING SET	<	1				
C10	263005-3	RUBBER PIN 6		2		P2		
C20	252126-6	HEX. LOCKING NUT M4-7		2		P2		
D10		INC. 32						
002	266429-2	TAPPING SCREW 3X16		8		P1		
003	851W90-2	DTW190 NAME PLATE		1				
005	452399-3	F/R CHANGE LEVER		1		P1		
006	632G34-3	SWITCH UNIT		1	*			
C10	688163-8	LINE FILTER		1	*	P1		
C20	688165-4	LINE FILTER		1	*	P1		
006-1	632J81-2	SWITCH UNIT	<	1				
C10	688163-8	LINE FILTER		1		P1		
C20	688165-4	LINE FILTER		1		P1		
007	643852-2	TERMINAL		1		P5		
008	231907-1	RING SPRING 10		1		P2		
012	266374-1	TAPPING SCREW 4X25		4		P1		
013	143646-0	HAMMER CASE COMPLETE		1				
C10	213214-4	O RING 16		1	*	P11		
C11	213207-1	O RING 16	O	1		P10		
014	261151-6	NYLON WASHER 19		1		P1		
016	135745-2	ANVIL E ASSEMBLY		1	*			
D10		INC. 8			*			
016-1	135796-5	ANVIL E ASSEMBLY	<	1				
D10		INC. 8						
017	326110-8	HAMMER		1		P13		
018	216040-0	STEEL BALL 3.5		24				
019	267175-0	FLAT WASHER 24		1		P2		
020	233430-2	COMPRESSION SPRING 24		1		P3		
021	267766-7	CUP WASHER 14		1		P2		
022	216041-8	STEEL BALL 5.6		2				
023	227362-3	SPUR GEAR 22		2				
024	326109-3	SPINDLE		1		P15		
025	256253-1	PIN 5		2		P1		
026	267212-0	FLAT WASHER 12		1		P1		
027	227279-0	INTERNAL GEAR 51		1		P1		
028	210107-6	BALL BEARING 6001ZZ		1		P2		
029	453056-6	INTERNAL GEAR CASE		1		P1		
030	629199-8	DC MOTOR		1				
031	424476-1	CUSHION		1		P1		
032	183D73-3	HOUSING SET		1	*			
C10	263005-3	RUBBER PIN 6		2	*	P2		
C20	252126-6	HEX. LOCKING NUT M4-7		2	*	P2		
D10		INC. 1			*			
032-1	183D73-3	HOUSING SET	<	1				

Numéro du modèle DTW190 CORDLESS IMPACT WRENCH

Position	Référence pièce	Description	Echelle	QTE	N/O	Option 1	Option 2	COMMENTAIRE
C10	263005-3	RUBBER PIN 6		2		P2		
C20	252126-6	HEX. LOCKING NUT M4-7		2		P2		
D10		INC. 1						
033	268284-8	PIN 1.5		1		P1		
034	263036-2	RUBBER PIN 5		1		P1		
A01B	141856-3	PLASTIC CARRYING CASE COMPLETE		1		A24		
C10	162302-3	LATCH		2		A1		
C20	324207-7	SHAFT		1		A3		
C30	451749-9	HANDLE		1		A2		
A01C	141856-3	PLASTIC CARRYING CASE COMPLETE		1		A24		
C10	162302-3	LATCH		2		A1		
C20	324207-7	SHAFT		1		A3		
C30	451749-9	HANDLE		1		A2		
A01D	141856-3	PLASTIC CARRYING CASE COMPLETE		1		A24		
C10	162302-3	LATCH		2		A1		
C20	324207-7	SHAFT		1		A3		
C30	451749-9	HANDLE		1		A2		
A02B	808M86-4	DTW190RFE PLASTIC CASE LABEL		2				
A02C	808M91-1	DTW190RME PLASTIC CASE LABEL		2				
A02D	808M96-1	DTW190RTE PLASTIC CASE LABEL		2				
A03B	***DC18RC	DC18RC FAST CHARGER		1				
D10		COMPO-PARTS						
A03C	***DC18RC	DC18RC FAST CHARGER		1				
D10		COMPO-PARTS						
A03D	***DC18RC	DC18RC FAST CHARGER		1				
D10		COMPO-PARTS						
A04B	194204-5	BATTERY BL1830 SET		2	*			
A04C	197265-4	BATTERY BL1840B SET		2				
A04D	197280-8	BATTERY BL1850B SET		2				
A04-1B	197600-6	BATTERY BL1830B SET	<	2				
A05B	450128-8	BATTERY COVER		1		P1		
A05C	450128-8	BATTERY COVER		1		P1		
A05D	450128-8	BATTERY COVER		1		P1		