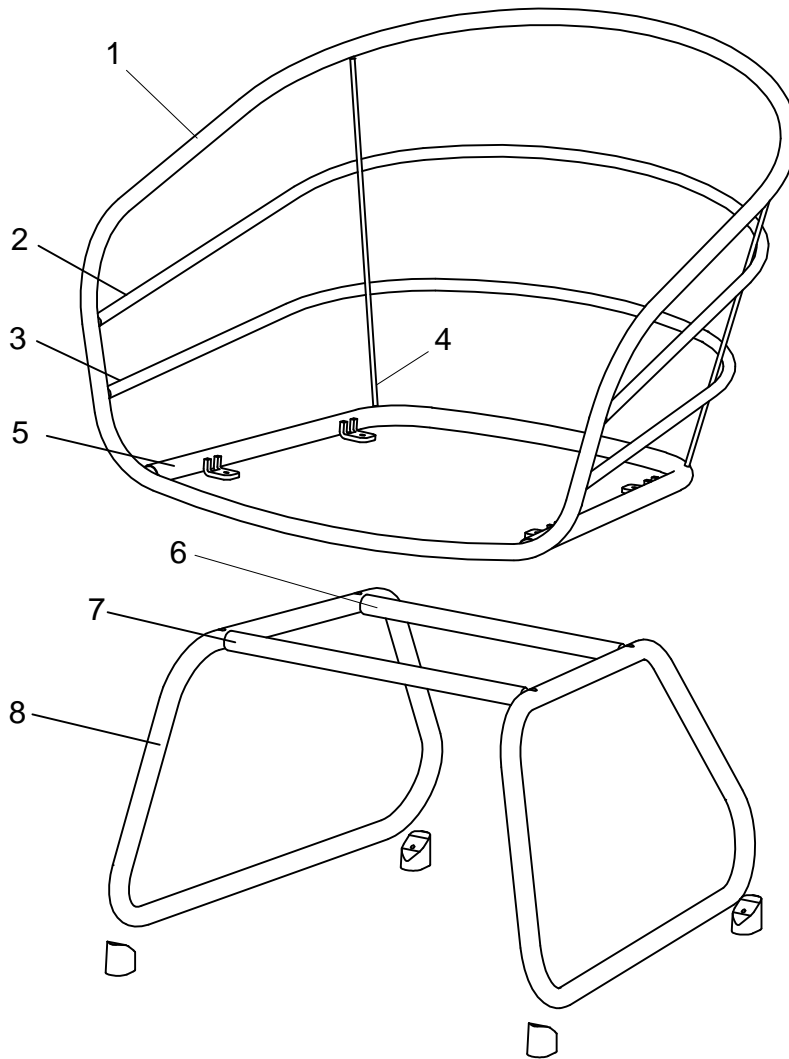
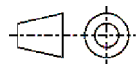


FRS70546B



8	YJLT-036D	Leg tube	1	Steel	Φ 22*0.9
7	YJLT-036D	Leg support tube 2	1	Steel	Φ 22*0.9
6	YJLT-036D	Leg support tube 1	1	Steel	Φ 22*0.9
5	YJLT-036D	Seat tube	1	Steel	Φ 22*0.9
4	YJLT-066A	Back support tube	2	Steel	Φ 5
3	YJLT-033E	Back decorative tube 2	1	Steel	Φ 13*0.8
2	YJLT-033E	Back decorative tube 1	1	Steel	Φ 13*0.8
1	YJLT-175	Arm and back tube	1	Steel	φ 18*0.9
ref.NO	Serial number	Name	Quantity	Material	Specification

GENERAL TOLERANCES: ±5  
 LINEAR: ±0.5  
 ANGULAR:



Rev	NAME	DATE
01		
02		
03		
04		
05		
06		

*adeo*

ADEO - 135, rue Sadi Carnot  
 CS 00001 - 59790 RONCHIN  
 FRANCE

MATERIAU/FINISHING:

TITRE:

SET of 2 BALCONY ARMCHAIRS -  
 STEEL RATTAN U LEG

No. DE PLAN: 2D Plan\_3276007087475

REVISION: A3

FEUILLE 1 SUR 1

ECHELLE: 1:1 (Scale can be adapted) Dimensions in mm