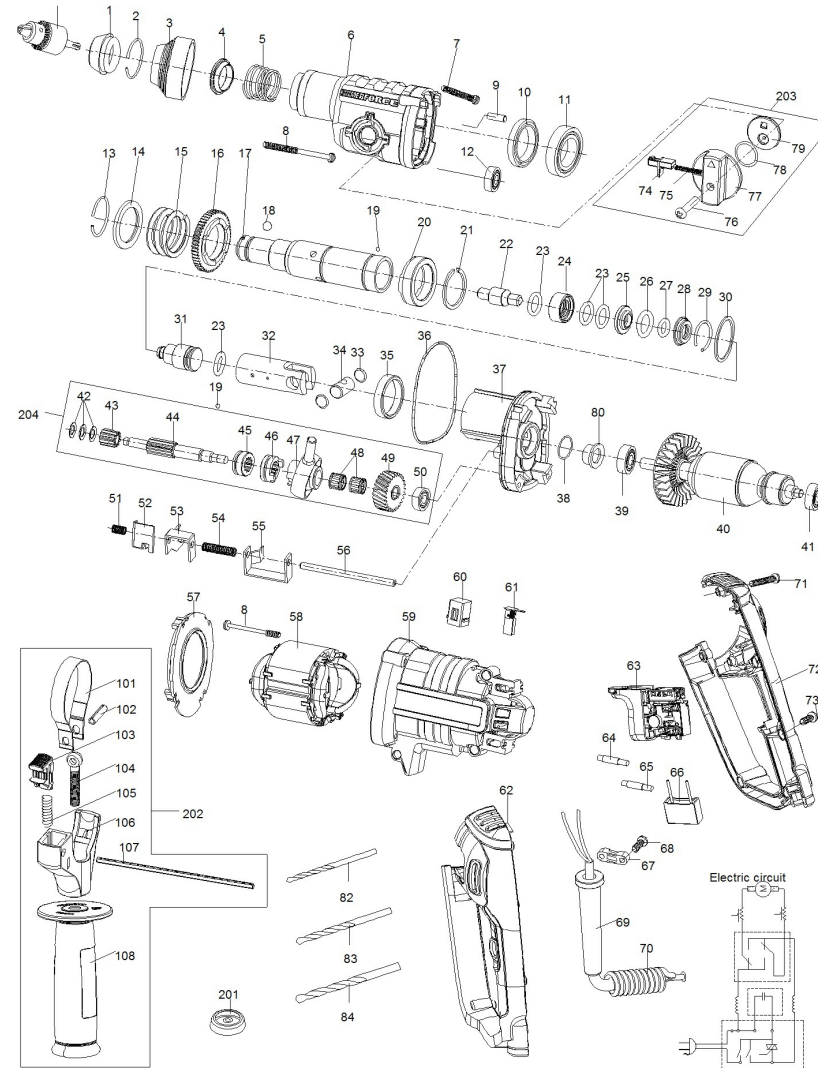



WX339.3




WX339.3

	Part No	Description	Qty
1	60045656	Front cover	1
2	60045657	Clip ring18.6X1.6	1
3	60045658	Block sleeve	1
4	60045659	Drill chuck	1
5	60045660	Drill chuck spring	1
6	60045745	Gear box	1
7	60045662	ScrewST4X40	2
8	60045663	ScrewST4*50	4
9	60045664	Locating pin	2
10	60045665	Oil sealing	1
11	60045666	Bearing 61905	1
12	60045667	Bearing 626	1
13	60045668	Clip ring 26.7X1.6	1
14	60045669	Torsion spring plate	1
15	60045670	Torsion spring	1
16	60045671	Big gear	1
17	60045672	Rotary sleeve	1
18	60045673	Steel ball 7.14	1
19	60045674	Steel ball 3	1
20	60045675	Torsion clutch	1

WX339.3

	Part No	Description	Qty
21	60045676	Stop block ring	1
22	60045677	Impact pole	1
23	60045678	O ring14X3	4
24	60045679	Guide sleeve	1
25	60045680	Guide sleeve Joe	1
26	60045681	O ring16X3.5	1
27	60045682	O ring10X3	1
28	60045683	Impact hammer set	1
29	60045684	Clip ring 27X2	1
30	60045685	Clutch small gasket	1
31	60045686	Impact hammer	1
32	60045687	Aluminum cylinder	1
33	60045688	Cylinder head gasket	2
34	60045689	Cylinder Pin	1
35	60045690	Oil bearing	1
36	60045691	O ring73X2	1
37	60045692	Middle cover	1
38	60045693	O ring23.5X2	1
39	60045694	Bearing 609	1
40	60045746	Rotor for 800W	1

WX339.3

	Part No	Description	Qty
41	60045696	Bearing 607	1
42	60045697	Minipad	3
43	60045698	Pinion	1
44	60045699	Intermediate shaft	1
45	60045700	Drill gear clutch	1
46	60045701	Hammer gear clutch	1
47	60045702	Rod bearing	1
48	60045703	Multi-roll bearing	2
49	60045704	Level 1 wheel	1
50	60045705	Bearing 607	1
51	60045706	Locking plate spring	1
52	60045707	Locking plate	1
53	60045708	Drill file spring	1
54	60045709	Dial the plate spring	1
55	60045710	Hammer file dial the piece	1
56	60045711	Guide pillar	1
57	60045712	Anti-wind ring	1
58	60045747	Stator for 800W	1
59	60045714	Housing	1
60	60045715	Brush holder assembly	1

WX339.3

	Part No	Description	Qty
61	60045716	Carbon brush(pair)	1
62	60045717	Left/Right handle	1
63	60045718	Switch	1
64	60045719	Long string inductance	1
65	60045720	Short string inductance	1
66	60045721	Capacitance	1
67	60045722	Cable clamp	1
68	60045723	ScrewST4X16	2
69	60045724	Cable flange	1
70	60045725	Power cord	1
71	60045726	ScrewST4X22	2
73	60045727	ScrewST4X16	6
74	60045728	Button	1
75	60045729	Button spring	1
76	60045730	ScrewST4X25	1
77	60045731	Outer Knob	1
78	60045732	O ring 14.6X2.8	1
79	60045733	Inner knob	1
80	60045734	Oil baffle set	1
81	50013715	Chuck	1

WX339.3

	Part No	Description	Qty
82	50018921	Drill	1
83	50018922	Drill	1
84	50018923	Drill	1
101	60045735	Auxiliary handle retainer ring	1
102	60045736	Straight flute heavy 6*22	1
103	60045737	Auxiliary handle clamping button	1
104	60045738	Eyelet bolt	1
105	60045739	Auxiliary handle spring	1
106	60045740	Auxiliary handle clamp holder	1
107	60045741	Depth gauge	1
108	60045742	Auxiliary handle	1
201	60045743	Dust cover	1
202	60045744	Auxiliary handle Set &Depth gauge	1
203	60045770	Knob assembly	1
204	60045771	Mid Shaft Assembly	1
F1	50019197	Sds Flat Chisel : 20X250Mm	1
F2	60047057	Rated label	1