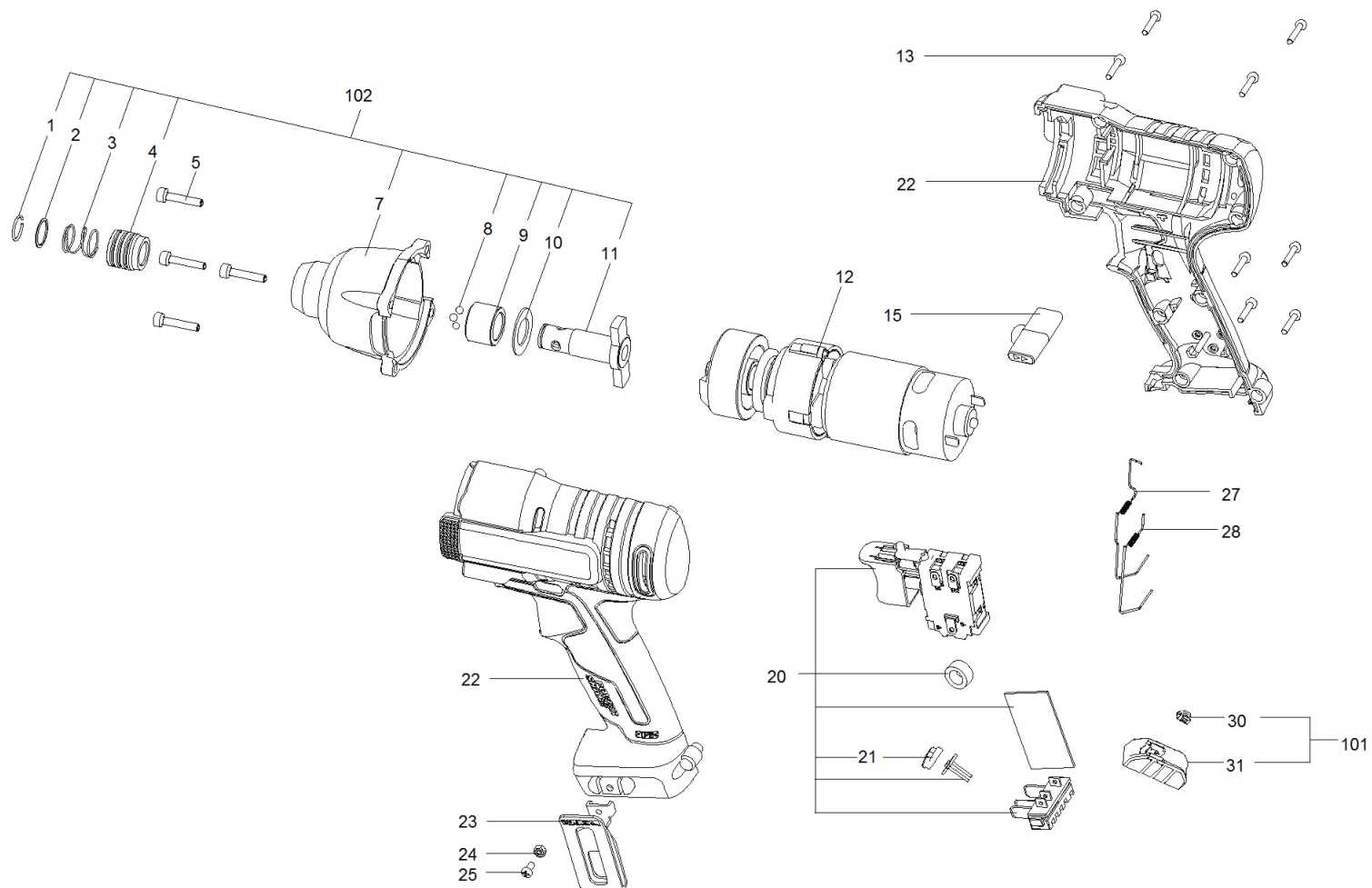



WX291.9



WX291.9

🗨	Part No	Description	Substitute parts	Qty
1	50038990	Retaining Ring		1
2	50038989	Washer		1
3	50014582	Compression spring		1
4	50038994	Guide Sleeve		1
5	50016353	screw		4
6	50003059	Spring washer		4
7	50038984	Fore Housing		1
8	50038982	Steel Ball		3
9	50038992	Shaft Sleeve		1
10	50038985	Washer		1
11	50038991	Spindle		1
12	50038980	Motor	50039584	1
12	50039584	Motor		1
13	50025738	Self Tapping Screw		8
15	50033178	F R Button		1
20	50039047	Switch&PCB Board Set		1
21	50031621	Light Cover		1
22	50038993	Left/Right Housing		1
23	50038988	Hook		1
24	60046220	Nut		2

WX291.9

	Part No	Description	Substitute parts	Qty
25	50002589	Screw		1
27	50038983	Inductance(black)		1
28	50038987	Inductance(red)		1