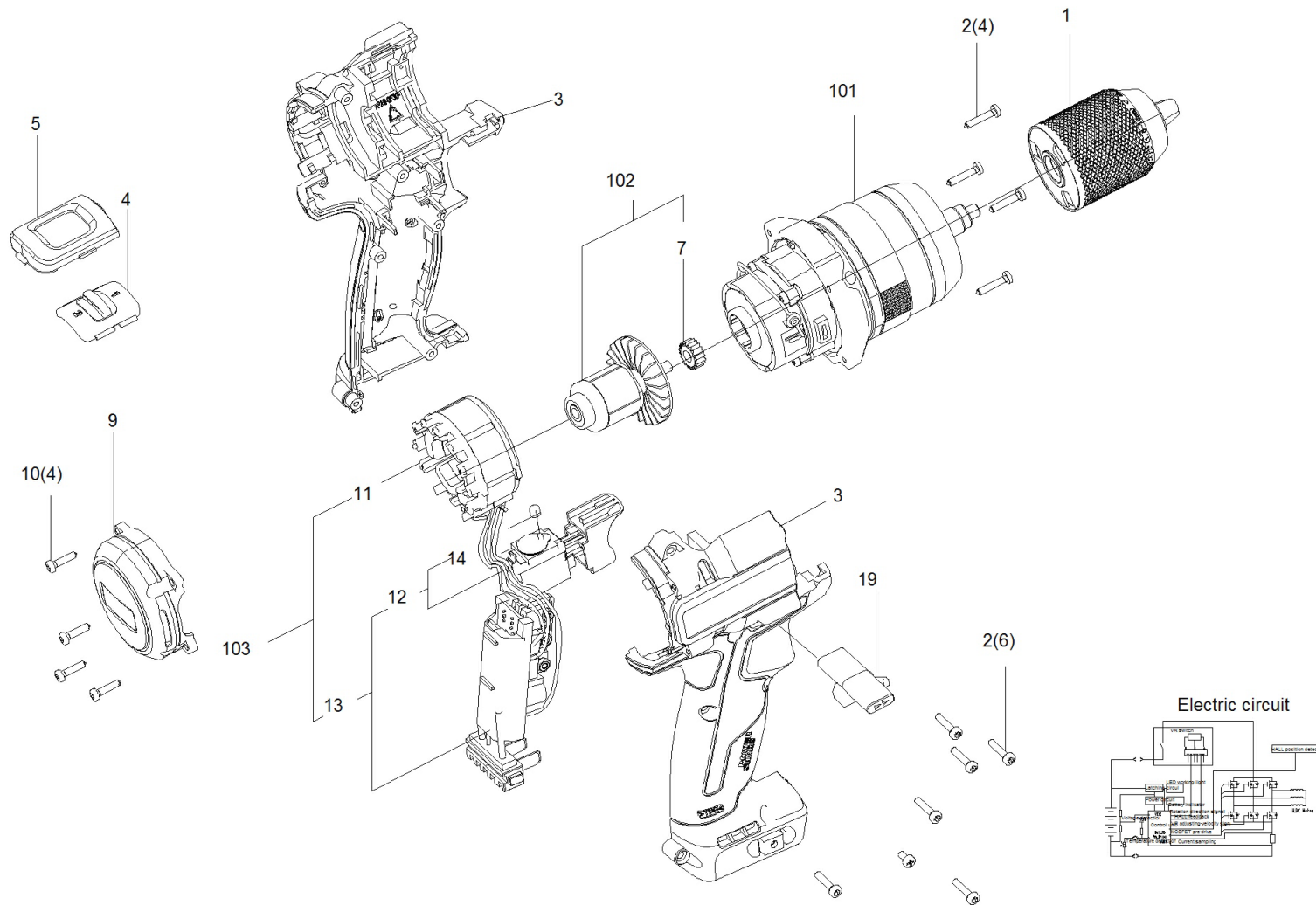


WX354.9



## WX354.9

	Part No	Description	Qty
1	50038791	Drill Chuck	1
2	50025738	Self Tapping Screw	10
3	50038790	Housing	1
4	50038795	Gear Changing Lever	1
5	50038793	Decorative Cover	1
7	50038797	Pinion	1
9	50038794	Rear Cover	1
10	50018668	Self tapping screw	4
11	50038796	Stator Assembly	1
12	50038460	Switch	1
13	50038799	Control Board Assembly	1
14	50020259	Switch Cover	1
19	50038792	F/R Button	1
101	50038798	Gear Case Set	1
102	50039088	Rotor Set	1
103	50039089	Driving Core	1