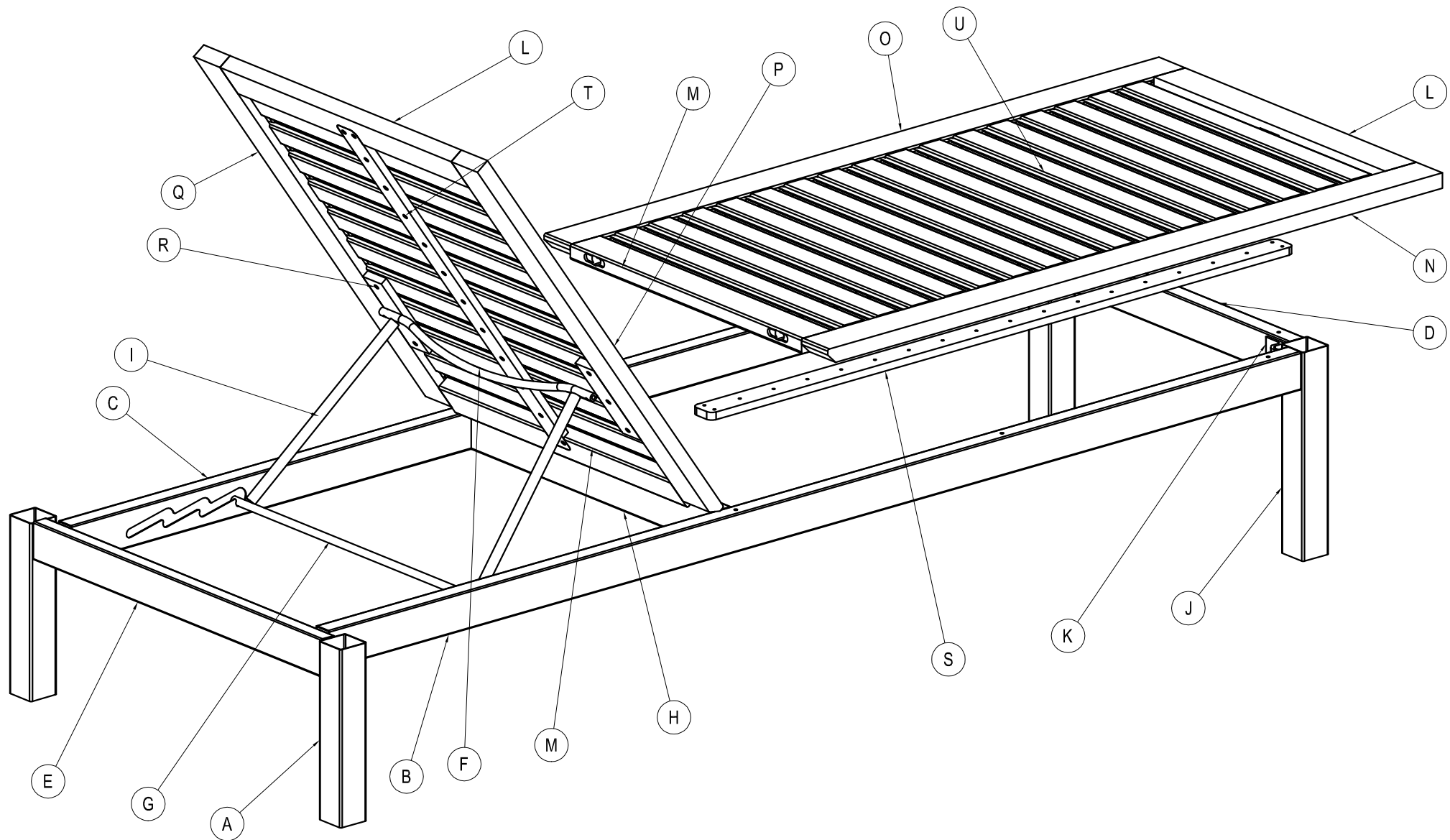
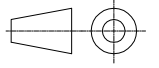


| Ref | Component Name | Qty | Dimension |
|-----|------------------------------------------|-----|-------------|
| A | LEG / CHÂN SAU | 2 | P078, L279 |
| B | SIDE BAR / DIỆM DÀI PHẢI | 1 | P104, L1868 |
| C | SIDE BAR / DIỆM DÀI TRÁI | 1 | P104, L1868 |
| D | SIDE BAR / DIỆM NGẮN TRƯỚC | 1 | P104, L530 |
| E | SIDE BAR / DIỆM NGẮN SAU | 1 | P453, L660 |
| F | SUPPORT BAR / THANH TRÊN KHUNG CHỖNG TỰA | 1 | P009, L490 |
| G | SUPPORT BAR / THANH DƯỚI KHUNG CHỖNG TỰA | 1 | P009, L584 |
| H | SUPPORT BAR / KIỀNG KHUNG NGỒI | 1 | P104, L560 |
| I | SUPPORT BAR / THANH BÊN KHUNG CHỖNG TỰA | 2 | P474, L340 |
| J | LEG / CHÂN TRƯỚC | 2 | P078, L327 |
| K | SUPPORT PIECE / THANH GIẢNG GÓC | 2 | P494, L38 |
| L | CROSSBAR / THANH NGANG NGOÀI | 2 | 24x60x570 |
| M | CROSSBAR / THANH NGANG TRONG | 2 | 24x60x570 |
| N | SIDE BAR / THANH HÔNG NGỒI PHẢI | 1 | 24x60x1182 |
| O | SIDE BAR / THANH HÔNG NGỒI TRÁI | 1 | 24x60x1182 |
| P | SIDE BAR / THANH HÔNG LƯNG PHẢI | 1 | 24x60x792 |
| Q | SIDE BAR / THANH HÔNG LƯNG TRÁI | 1 | 24x60x792 |
| R | SUPPORT PIECE / BỘ ĐỠ | 2 | 12x43x160 |
| S | SLAT SUPPORT / ĐỠ NAN MỀ NGỒI | 1 | 12x43x1122 |
| T | SLAT SUPPORT / ĐỠ NAN TỰA LƯNG | 1 | 12x43x732 |
| U | SLAT / NAN | 26 | 12x43x550 |



GENERAL TOLERANCES:
 LINEAR: +/-5 mm
 ANGULAR:



| Rev | NAME | DATE |
|-----|---------|--------|
| 1 | Scancom | 010720 |
| 2 | | |
| 3 | | |
| 4 | | |
| 5 | | |
| 6 | | |

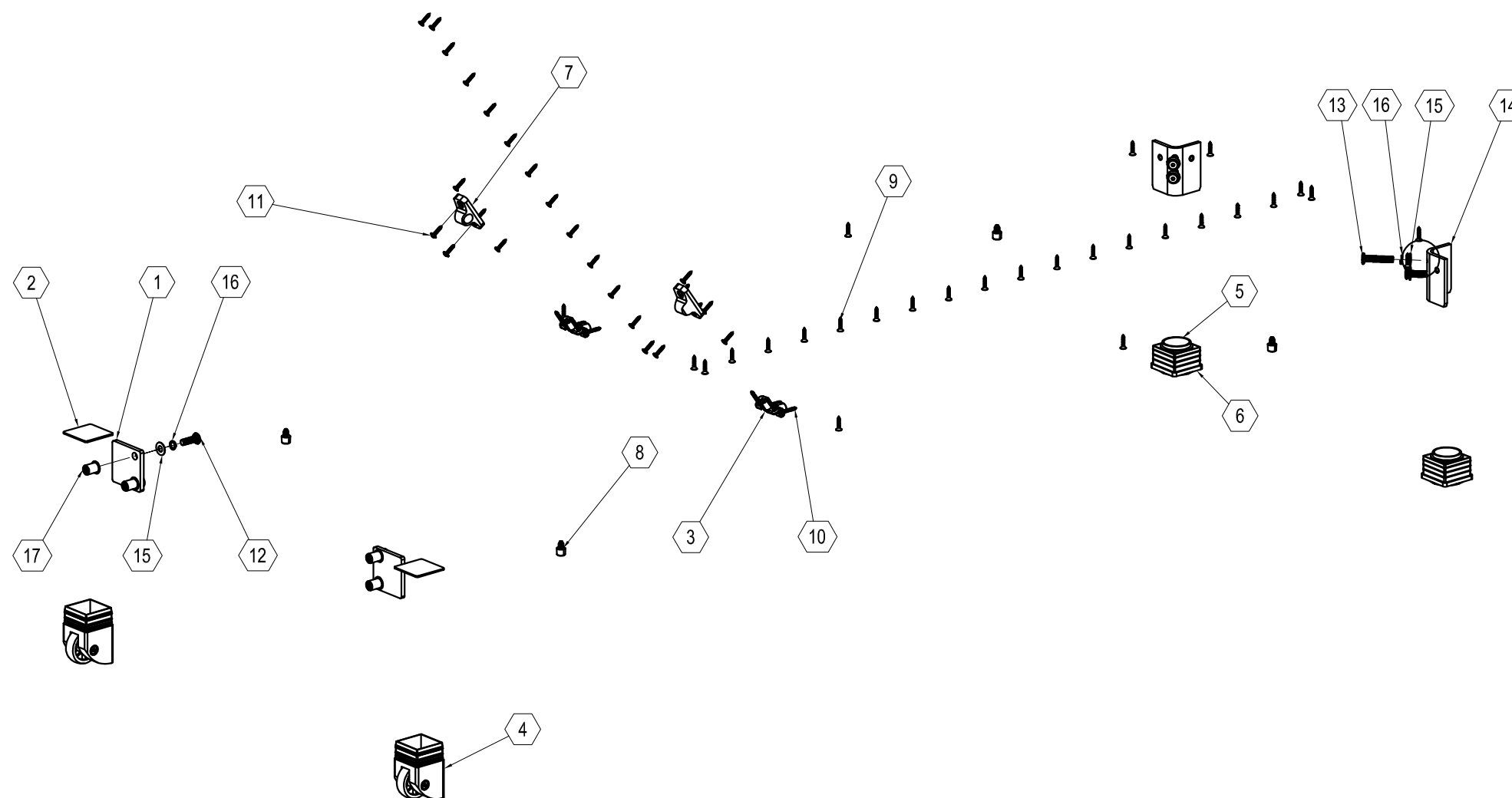
adeo
 ADEO - 135, rue Sadi Carnot
 CS 00001 - 59790 RONCHIN
 FRANCE

MATERIAU/FINISHING:
 ALU + EUCALYPTUS

TITRE:
SUNBED MATERIAL ORIS KD W/ SIMPLE LEGS ALU EUCALYPTUS

| | | |
|--------------|------------------|-----------------|
| No. DEPLAN | SUNBED_020620 | A3 |
| REVISION | | |
| ECHELLE: 1:8 | Dimensions in mm | FEUILLE 1 SUR 3 |

| Ref | Hardware Name | Qty |
|-----|----------------------------------------|-----|
| 1 | Pat I 60x60x(t6.0), AL | 2 |
| 2 | Cap 50x50x2, AL | 2 |
| 3 | Concealed Hinger 44 x 33 x 24, MM | 2 |
| 4 | Foot 50x50x80,MM (P078) | 2 |
| 5 | Foot Ø47.5x40.5, PL | 2 |
| 6 | Foot 52x52x31, PL | 2 |
| 7 | Support piece 60x22x22, PL (side) | 2 |
| 8 | Support Piece Ø12x19.5, PL | 4 |
| 9 | Wood Screw 4x20, F-PHL, ST | 48 |
| 10 | Wood Screw 4x30, F-PHL, ST (head 7) | 8 |
| 11 | Mushroom screw 4x18, R-PHL, ST | 4 |
| 12 | F-Bolt 8x25, P-HEX, ST | 4 |
| 13 | F-Bolt 8x40, P-HEX, ST | 4 |
| 14 | Support pat 47x47x70, ST | 2 |
| 15 | Plain washer 8.5x18x1, ST | 8 |
| 16 | Spring Washers 8.5x12.5x1.5, ST | 8 |
| 17 | Insert Rivet M8x17.53, ST (thick wall) | 4 |
| 18 | Allen key 4x98 | 1 |



GENERAL TOLERANCES:
 LINEAR: +/- 5 mm
 ANGULAR:

TITRE:
SUNBED NATIERIAL ORIS KD W/ SIMPLE LEGS ALU EUCALYPTUS

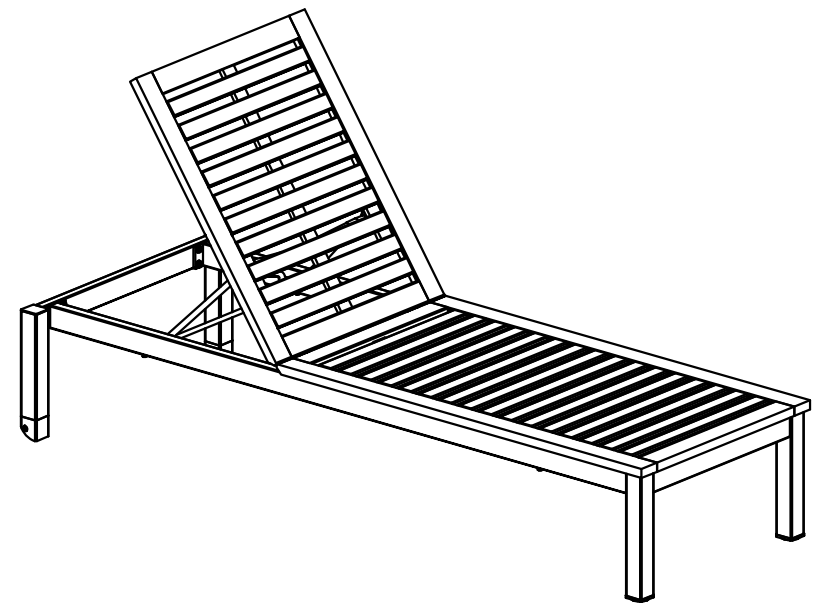
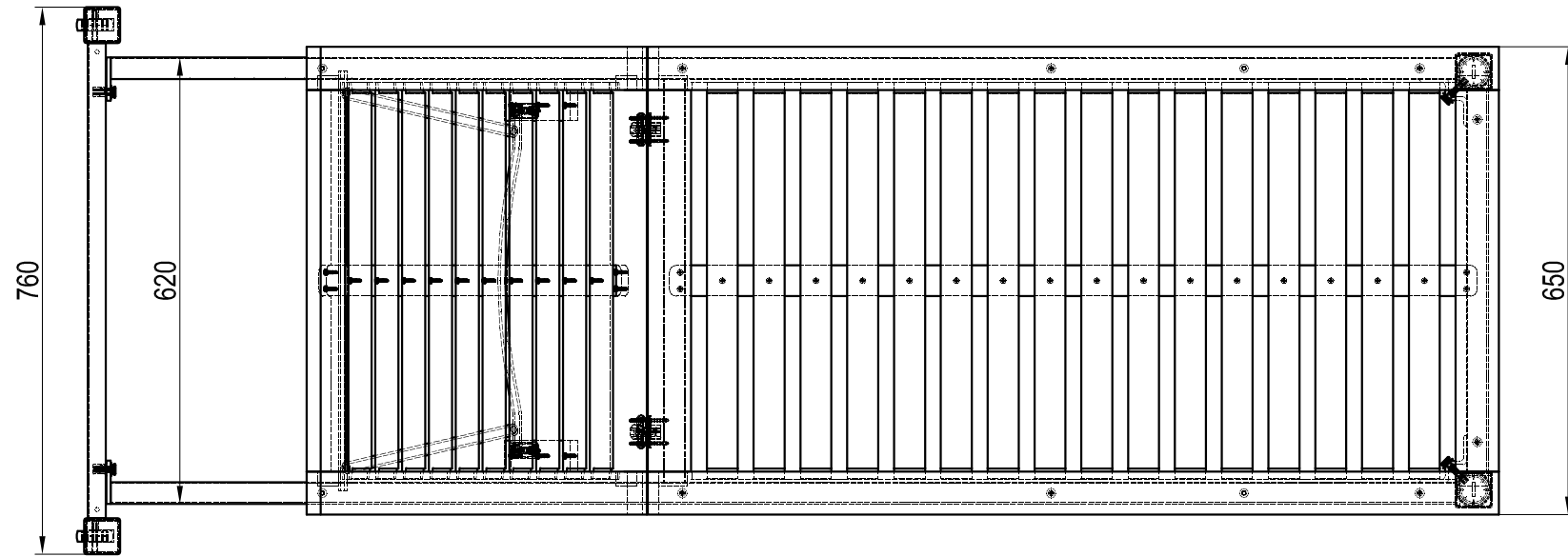
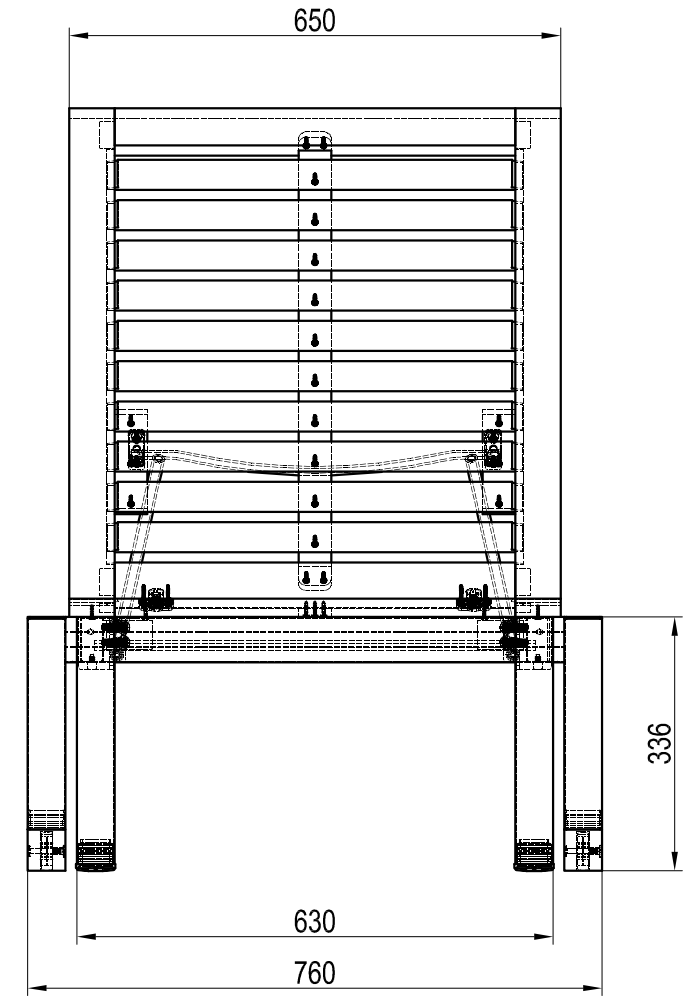
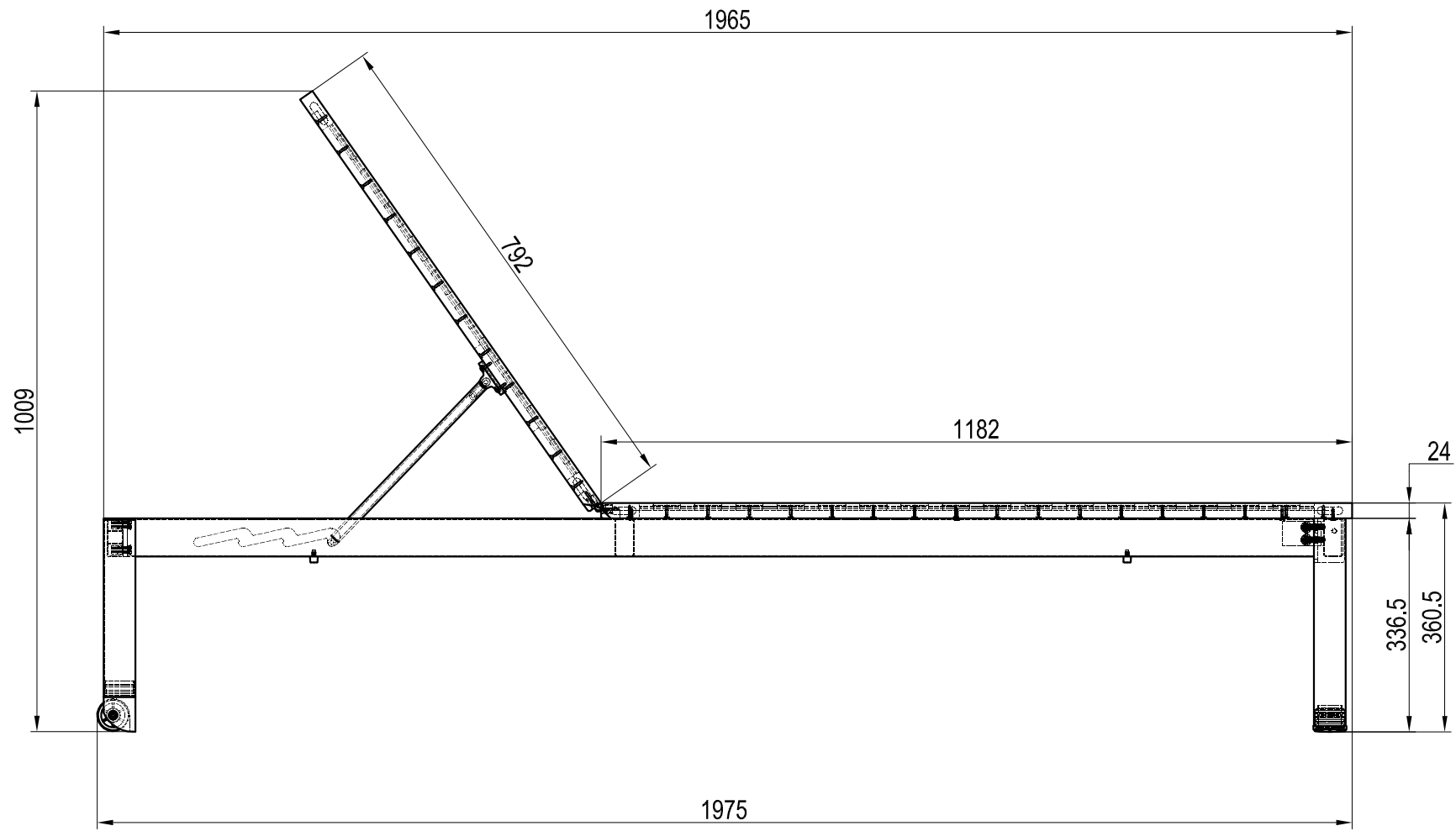
No. DEPLAN: **SUNBED_020620** A3
 REVISION

ECHELLE: 1:8 Dimensions in mm FEUILLE 2 SUR 3

| Rev | NAME | DATE |
|-----|---------|--------|
| 1 | Scancom | 010720 |
| 2 | | |
| 3 | | |
| 4 | | |
| 5 | | |
| 6 | | |

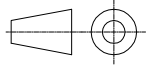
adeo
 ADEO - 135, rue Sadi Carnot
 CS 00001 - 59790 RONCHIN
 FRANCE

MATERIAU/FINISHING:
ALU + EUCALYPTUS



| Rev | NAME | DATE |
|-----|---------|--------|
| 1 | Scancom | 010720 |
| 2 | | |
| 3 | | |
| 4 | | |
| 5 | | |
| 6 | | |


ADEO - 135, rue Sadi Carnot
 CS 00001 - 59790 RONCHIN
 FRANCE
 MATERIAU/FINISHING:
 ALU + EUCALYPTUS

| | | | |
|-----------------------------------------------------------------------------|---------------|---------------------------------------------------------------------------------------|-----------------|
| GENERAL TOLERANCES: LINEAR: +/-5 mm ANGULAR: | |  | |
| TITRE: SUNBED NATIERIAL ORIS KD W/ SIMPLE LEGS ALU EUCALYPTUS | | | |
| No. DEPLAN | SUNBED_020620 | A3 | |
| ECHELLE: 1:10 | | Dimensions in mm | FEUILLE 3 SUR 3 |