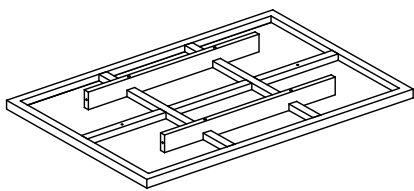
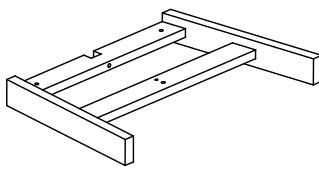
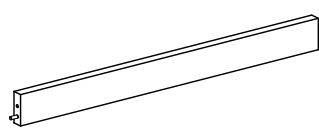
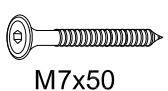
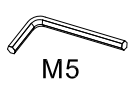


Position		Qty
A		1pc
B		2pc
C		1pc

Position	Hardware	Qty
1	 M7x50	8pcs
2	 M5	2pcs

